

timberk

Руководство по эксплуатации
Instruction manual



Электрический
проточный
водонагреватель

Electric
instant
water heater

Модели / Models

WHE 3,5 XTR H1

WHE 4,5 XTR H1

WHE 5,5 XTR H1

WHE 12,0 XTL C1

WHE 18,0 XTL C1

WHE 21,0 XTL C1

WHE 24,0 XTL C1

WHE 5,0 XTN Z1

WHE 6,0 XTN Z1

WHE 6,5 XTN Z1

WHE 7,0 XTN Z1

WHE 8,0 XTN Z1

Производитель вправе менять внешний вид прибора и цветовую гамму прибора без специального уведомления.
Outlook of devices, aslo colour scores can be revised without any special advance notices.

CONTENTS:

1. Important information	2
2. Precautions	2
3. Operational characteristics	3
4. Water heater design	6
5. Package contents	8
6. Installation of water heater	8
7. Water heater control	13
8. Maintenance	16
9. Troubleshooting	16
10. Electrical schematic diagram	17
11. Disposal	17

Dear customer!

We thank you for happy choice and purchase of a Timberk electric inline water heater. It will serve you long. The inline water heater is designed for instantaneous preheating of main water. The water heater can be installed in places, where it is possible to connect it to the water pipeline and electric wiring (single-phase electric power supply is required), except for rooms with possible temperature drops below 3°C.

The water heater is easy to install and efficient in use thanks to minimum loss of electric power and effective consumption of hot water. The appliance design consisting of a heat-resistant robust heating vessel, durable copper heating elements, and safety control devices allows us to confirm with certainty that the TIMBERK water heater convenient in operation will serve you for many years.

1. IMPORTANT INFORMATION

Please carefully read this instruction manual before using the water heater. This instruction manual contains important information concerning your safety, as well as recommendations on proper use and care of the appliance. Please keep the instruction manual together with the warranty card, sales slip, and, if possible, with the cardboard box and packing materials. This instruction manual describes different types of this device.

The water heater purchased by you may slightly differ from that described in the instruction manual, but this does not affect the methods of its use and operation.

THE IMPORTANT PRECAUTIONS AND INSTRUCTIONS CONTAINED IN THIS INSTRUCTION MANUAL DO NOT INCLUDE ALL POSSIBLE MODES AND SITUATIONS, WHICH MAY OCCUR. IT IS NECESSARY TO UNDERSTAND THAT COMMON SENSE, CAUTIOUSNESS, AND CAREFULNESS ARE FACTORS, WHICH CANNOT BE "INTEGRATED" TO ANY PRODUCT. THESE FACTORS SHALL BE TAKEN INTO ACCOUNT BY THE PERSON, WHO IS INTERESTED IN PROPER OPERATION OF THE DEVICE. THE MANUFACTURER IS NOT RESPONSIBLE FOR DAMAGE OF THE APPLIANCE OR ITS COMPONENTS DURING TRANSPORTATION, AS A RESULT OF IMPROPER INSTALLATION, DUE TO VOLTAGE SURGES, AS WELL AS IN THE EVENT OF UNAUTHORIZED CHANGES OR MODIFICATIONS IN ANY PART OF THE APPLIANCE.

2. PRECAUTIONS

During operation of the water heater, it is necessary to observe some precautions. Improper operation due to ignorance of the precautions may result in personal injury of the user or other people, as well as damage of their property.

1. Any electric appliance shall be under observation during its operation, especially if there are children close by. Carefully watch that children do not touch the appliance.
2. Before installation and connection of the water heater to the electric mains, check and make sure that there is a grounding loop in your electric mains. If there is no grounding loop in your electric mains, operation of the water heater is hazardous for life.
3. Connect your water heater to the power supply which has the same parameters as indicated on Rating Label. If it's necessary, ask technical characteristics of power supply from your electricity suppliers.
4. Never use the water heater, if it is faulty.
5. Do not remove the front panel of the water heater during its operation.
6. Immediately disconnect the water heater from the electric mains in case of strange sounds, odor, or smoke from it.
7. Always disconnect the water heater from the electric mains during storms.
8. Before beginning of cleaning and maintenance of the water heater, always disconnect it from the electric mains. Perform cleaning and maintenance in accordance with the guidelines of this instruction manual.
9. Do not use hazardous chemicals for cleaning of the water heater and exclude their contact with it.

THE IMPORTANT PRECAUTIONS AND INSTRUCTIONS CONTAINED IN THIS INSTRUCTION MANUAL DO NOT INCLUDE ALL POSSIBLE MODES AND SITUATIONS, WHICH MAY OCCUR. IT IS NECESSARY TO UNDERSTAND THAT COMMON SENSE, CAUTIOUSNESS, AND CAREFULNESS ARE FACTORS, WHICH CANNOT BE "INTEGRATED" TO ANY PRODUCT. THESE FACTORS SHALL BE TAKEN INTO ACCOUNT BY THE PERSON, WHO IS INTERESTED IN PROPER OPERATION OF THE DEVICE. THE MANUFACTURER IS NOT RESPONSIBLE FOR DAMAGE OF THE APPLIANCE OR ITS COMPONENTS DURING TRANSPORTATION, AS A RESULT OF IMPROPER INSTALLATION, DUE TO VOLTAGE SURGES, AS WELL AS IN THE EVENT OF UNAUTHORIZED CHANGES OR MODIFICATIONS IN ANY PART OF THE APPLIANCE.

2. PRECAUTIONS

During operation of the water heater, it is necessary to observe some precautions. Improper operation due to ignorance of the precautions may result in personal injury of the user or other people, as well as damage of their property.

1. Any electric appliance shall be under observation during its operation, especially if there are children close by. Carefully watch that children do not touch the appliance.
2. Before installation and connection of the water heater to the electric mains, check and make sure that there is a grounding loop in your electric mains. If there is no grounding loop in your electric mains, operation of the water heater is hazardous for life.
3. Connect your water heater to the power supply which has the same parameters as indicated on Rating Label. If it's necessary, ask technical characteristics of power supply from your electricity' suppliers.
4. Never use the water heater, if it is faulty.
5. Do not remove the front panel of the water heater during its operation.
6. Immediately disconnect the water heater from the electric mains in case of strange sounds, odor, or smoke from it.
7. Always disconnect the water heater from the electric mains during storms.
8. Before beginning of cleaning and maintenance of the water heater, always disconnect it from the electric mains. Perform cleaning and maintenance in accordance with the guidelines of this instruction manual.
9. Do not use hazardous chemicals for cleaning of the water heater and exclude their contact with it.

10. Do not use the water heater for purposes not specified in this instruction manual.
11. Do not use the water heater in explosive or corrosive environment.



ATTENTION!

The water heater shall be certainly grounded.

13. Any service works shall be performed by a specialized organization, by qualified specialists. Improper installation may result in refusal of warranty service.

3. OPERATIONAL CHARACTERISTICS

WATERMASTER I Series. Water Heater Models: WHE 3.5 XTR H1, WHE 4.5 XTR H1, WHE 5.5 XTR H1

1. Instantaneous water heating without preprocessing and waiting.
2. Reliable nichrome spiral heating element with ceramic protection; the special shape prevents significant accumulation of scale.
3. Automatic temperature protection (electronic temperature sensor) protects water heater from overheating, and assures user protection against burns.
4. Hydraulic flow sensor automatically stops the heating mode when cold water supply is suddenly interrupted or water pressure in the system drops below the working level.
5. The water heater is designed for household application, for one water consumption point and can be installed in any convenient place.
6. Ultra-thin and space-saving design is ideal for installation and use both in a city apartment, and a country-side house. And quicker and safer heating combined with notable electric power saving, which means less costs, will be pleasing you during the whole lifetime of TIMBERK water heater.

WATERMASTER II Series. Water Heater Models: WHE 5.0 XTN Z1, WHE 6.0 XTN Z1, WHE 6.5 XTN Z1, WHE 7.0 XTN Z1, WHE 8.0 XTN Z1

1. Instantaneous water heating without preprocessing and waiting.
2. Reliable nichrome spiral heating element with ceramic protection; the special shape prevents significant accumulation of scale.
3. Temperature protection (temperature switch) protects water heater from overheating, and assures user protection against burns.

3. OPERATIONAL CHARACTERISTICS

WATERMASTER I Series. Water Heater Models: WHE 3.5 XTR H1, WHE 4.5 XTR H1, WHE 5.5 XTR H1

1. Instantaneous water heating without preprocessing and waiting.
2. Reliable nichrome spiral heating element with ceramic protection; the special shape prevents significant accumulation of scale.
3. Automatic temperature protection (electronic temperature sensor) protects water heater from overheating, and assures user protection against burns.
4. Hydraulic flow sensor automatically stops the heating mode when cold water supply is suddenly interrupted or water pressure in the system drops below the working level.
5. The water heater is designed for household application, for one water consumption point and can be installed in any convenient place.
6. Ultra-thin and space-saving design is ideal for installation and use both in a city apartment, and a country-side house. And quicker and safer heating combined with notable electric power saving, which means less costs, will be pleasing you during the whole lifetime of TIMBERK water heater.

WATERMASTER II Series. Water Heater Models: WHE 5.0 XTN Z1, WHE 6.0 XTN Z1, WHE 6.5 XTN Z1, WHE 7.0 XTN Z1, WHE 8.0 XTN Z1

1. Instantaneous water heating without preprocessing and waiting.
2. Reliable nichrome spiral heating element with ceramic protection; the special shape prevents significant accumulation of scale.
3. Temperature protection (temperature switch) protects water heater from overheating, and assures user protection against burns.
4. Hydraulic flow sensor automatically stops the heating mode when cold water supply is suddenly interrupted or water pressure in the system drops below the working level, or water inlet is blocked.
5. The water heater is designed for several water consumption points (in line) and can be installed in any convenient place.
6. Ultra-thin and space-saving design is ideal for installation and use both in a city apartment, and a country-side house. And quicker and safer heating combined with notable electric power saving, which means less costs, will be pleasing you during the whole lifetime of TIMBERK water heater.

Technical Characteristics

Technical characteristics of WATERMASTER I Series water heaters are given in Table 1.

Table 1

Characteristic	Unit	Model Names		
		WHE 3.5 XTR H1	WHE 4.5 XTR H1	WHE 5.5 XTR H1
Rated voltage (alternating)	V/Hz	220/50	220/50	220/50
Rated current	A	15,1	20,5	25,0
Rated power input	kW	3,5	4,5	5,5
Operating pressure	MPa	0,1-0,6	0,1-0,6	0,1-0,6
Capacity (at $\Delta t=20\text{ }^{\circ}\text{C}$)	l/min	2,4	3,1	3,8
Electric protection class	-	I	I	I
Protection degree	-	IPX4	IPX4	IPX4
Power connection cable (copper)	mm ²	3x1,5	3x2,5	3x2,5
Automatic circuit breaker	A	16	25	25
Dimensions	mm (HxWxD)	210x120x85	210x120x85	210x120x85
Net weight	kg	0,8	0,8	0,8

Technical characteristics of WATERMASTER II Series water heaters are given in Table 2.

Table 2

Characteristic	Unit	Model Names				
		WHE 5.0 XTN Z1	WHE 6.0 XTN Z1	WHE 6.5 XTN Z1	WHE 7.0 XTN Z1	WHE 8.0 XTN Z1
Rated voltage (alternating)	V/Hz	220/50	220/50	220/50	220/50	220/50
Rated current	A	22,8	27,3	29,6	31,8	36,4
Rated power input	kW	5,0	6,0	6,5	7,0	8,0
Operating pressure	MPa	0,1 - 0,6	0,1 - 0,6	0,1 - 0,6	0,1 - 0,6	0,1 - 0,6
Capacity (at $\Delta t=20\text{ }^{\circ}\text{C}$)	l/min	3,5	4,2	4,5	4,9	5,6
Electric protection class	-	I	I	I	I	I
Protection degree	-	IP24	IP24	IP24	IP24	IP24
Power connection cable (copper)	mm ²	3x2,5	3x4	3x4	3x4	3x6
Automatic circuit breaker	A	25	32	32	32	40
Dimensions	mm (HxWxD)	172x188x90	172x188x90	172x188x90	172x188x90	172x188x90
Net weight	kg	1,0	1,0	1,0	1,0	1,0

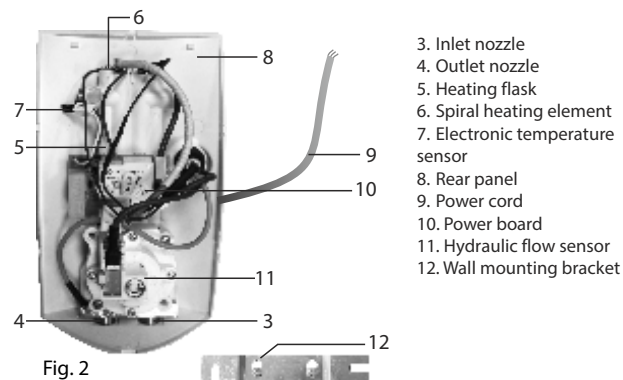
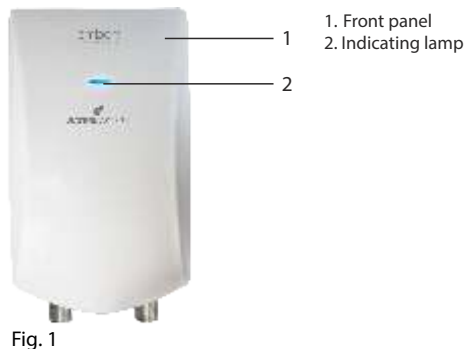
Technical characteristics of WATERMASTER III Series water heaters are given in Table 3.

Table 3

Characteristic	Unit	Model Names			
		WHE 12.0 XTL C1	WHE 18.0 XTL C1	WHE 21.0 XTL C1	WHE 24.0 XTL C1
Rated voltage (alternating)	V/Hz	380 3~/50	380 3~/50	380 3~/50	380 3~/50
Rated current	A	3x18,2	3x27,3	3x32,0	3x36,5
Rated power input	kW	12,0	18,0	21,0	24,0
Operating pressure	MPa	0,1-0,6	0,1-0,6	0,1-0,6	0,1-0,6
Capacity (at $\Delta t=20\text{ }^{\circ}\text{C}$)	l/min	8,4	11	11	11
Electric protection class	-	I	I	I	I
Protection degree	-	IP24	IP24	IP24	IP24
Power connection cable (copper)	mm ²	4x2,5	4x4	4x6	4x6
Automatic circuit breaker	A	3x25	3x32	3x40	3x40
Dimensions	mm (HxWxD)	460x260x128	460x260x128	460x260x128	460x260x128
Net weight	kg	4,2	4,2	4,2	4,2

4. WATER HEATER DESIGN

The design of WATERMASTER I Series water heater is shown in Figure 1, 2.



The design of WATERMASTER II Series water heater is given in Figure 3, 4.

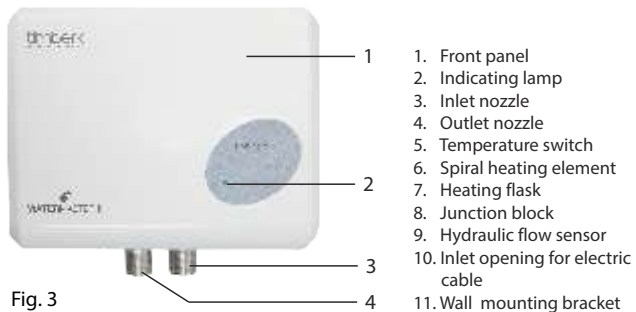


Fig. 3

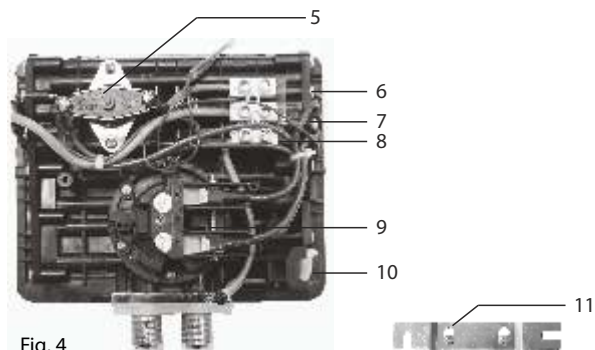


Fig. 4

The design of WATERMASTER III Series water heater is given in Figure 5, 6.



Fig. 5

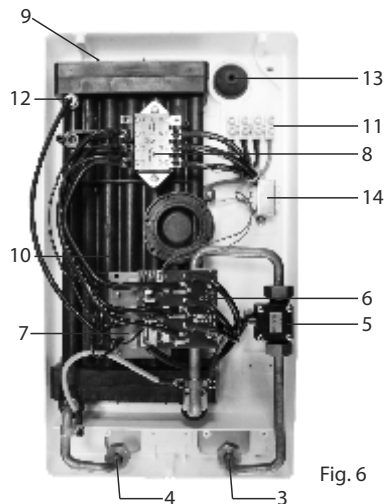


Fig. 6

5. PACKAGE CONTENTS

1. Water heater – 1 pc.
2. Mounting fittings – 1 pc.
3. Operational Manual – 1 pc.
4. Warranty card – 1 pc.
5. Packing – 1 pc.

6. INSTALLATION OF WATER HEATER

Location

1. Water heater can be installed in any place provided that the indoor temperature is not lower than 0°C.
2. Water heater is installed at the flat wall surface in strict parallel to the floor with outlet nozzles in downward direction; it shall be installed at a place where water and splashes cannot get onto its housing.
3. When water heater location is being defined, free access to it shall be assured, not less than 0.3 m from the top, bottom and sides. It will provide for the maximum convenient servicing and regulation of water heater if required.
4. Water heater shall be installed in such a way that a distance from the bottom part of the device to the floor does not exceed 1.6 m.

Mounting of Water Heater

WATERMASTER I Series. Water Heater Models: WHE 3.5 XTR H1, WHE 4.5 XTR H1, WHE 5.5 XTR H1

As shown in Figure 7, identify the points for openings and drill 2 openings of the corresponding depth in the wall, insert dowels, screw up the screws, and make sure that there is a certain distance between the screw head and the wall, then hang the water heater on the screws (see Fig.8) and check the reliability of fixing.

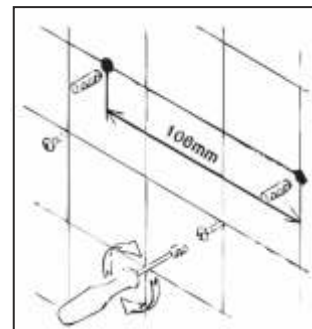


Fig. 7

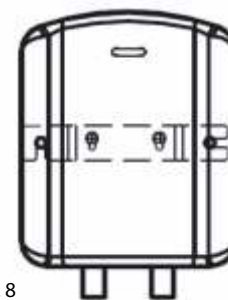


Fig. 8



NOTE:

Water heater installation at the place of its operation and electric power connections shall be performed by the specialized organization, a representative of the manufacturer's maintenance service or experts licensed for execution of electric equipment assembling with safety regulations observed.

In the event of violation of water heater operation manual, water heater is not subject to warranty servicing, and the manufacturer cannot be held liable.

WATERMASTER // Series. Water Heater Models: WHE 5.0 XTN Z1, WHE 6.0 XTN Z1, WHE 6.5 XTN Z1, WHE 7.0 XTN Z1, WHE 8.0 XTN Z1

As shown in Figure 9, identify the points for openings and drill 2 openings of the corresponding depth in the wall, insert dowels, screw up the screws, and make sure that there is a certain distance between the screw head and the wall, then hang the water heater on the screws (see Fig.10) and check the reliability of fixing.

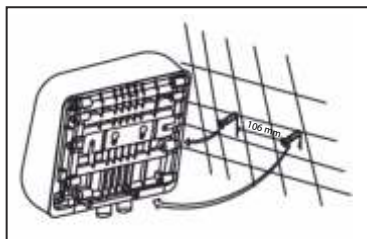


Fig. 9

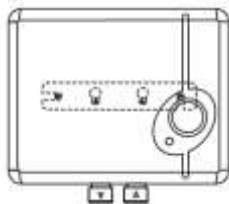


Fig. 10

**NOTE:**

Water heater installation at the place of its operation and electric power connections shall be performed by the specialized organization, a representative of the manufacturer's maintenance service or experts licensed for execution of electric equipment assembling with safety regulations observed.

In the event of violation of water heater operation manual, water heater is not subject to warranty servicing, and the manufacturer cannot be held liable.

WATERMASTER III Series. Water Heater Models: WHE 12.0 XTL C1, WHE 18.0 XTL C1, WHE 21.0 XTL C1, WHE 24.0 XTL C1.

As shown in Figure 11, identify the points for openings and drill 4 openings of the corresponding depth in the wall, insert dowels, attach water heater to them having inserted the electric cable (see the figure), screw up the screws, check the reliability of fixing. крепления.

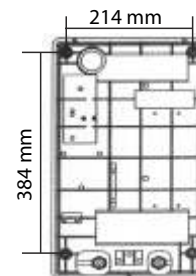


Fig. 11

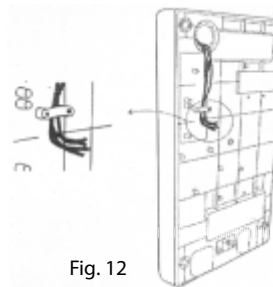


Fig. 12

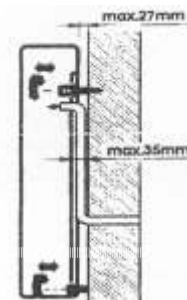


Fig. 13

**NOTE:**

Water heater installation at the place of its operation and electric power connections shall be performed by the specialized organization, a representative of the manufacturer's maintenance service or experts licensed for execution of electric equipment assembling with safety regulations observed.

In the event of violation of water heater operation manual, water heater is not subject to warranty servicing, and the manufacturer cannot be held liable.

Connection to Water Main**NOTE:**

You must move out caps from inlet and outlet pipes before usage.

WATERMASTER I Series. Water Heater Models: WHE 3.5 XTR H1, WHE 4.5 XTR H1, WHE 5.5 XTR H1

1. Water heater shall be directly connected to cold water supply line with working pressure from 0.15 to 0.6 MPa. If water pressure in water supply line exceeds 0.6 MPa, a pressure reducing valve shall be included to the feeding system to assure that working pressure does not exceed 0.6 MPa.
2. Water heater has inlet and outlet nozzles for connection to water main, the nozzles are marked with indication labels; the diameter of external thread is 10 mm (G3/8"). For connection to 12 mm (G1/2") pipes special adapters* shall be used. (* - not included into the scope of supply).
3. To avoid water leakages use rubber sealing gaskets when connecting all nozzles.
4. A tap cutting off cold water supply shall be installed upstream its inlet to water heater. It is prohibited to install the cut-off tap at hot water outlet from water heater (Fig.14).
5. After water heater installation and before power supplying, the system shall be flushed with water to remove any impurities or free particles inside water heater. Otherwise, water heater operability may be affected.
6. It is RECOMMENDED to use a separate water filter at cold water inlet to increase the heating element lifetime if water hardness exceeds 450mg/l (CaCO₃).

**ATTENTION!**

If water heater is used at specially complicated (obsolete) water supply networks with high amount of suspended particulate matter and impurities contained in water flowing through the mains, purifying filters shall be used on a **COMPULSORY** basis. Please, follow this recommendation, otherwise, the non-execution of this provision may influence the lifetime of the device and warranty servicing conditions (up to refusal to execute warranty liabilities by the device manufacturer and its maintenance services).

7. Make sure that water heater is operable, let water flow pass through it. Check the tightness of all connections and, if needed, tighten all retaining nuts and screws.

**NOTE:**

Prior to water heater installation, flush water supply pipes with flowing water.

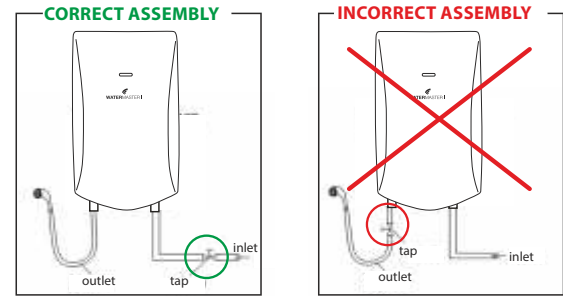


Fig. 14

WATERMASTER II Series. Water Heater Models: WHE 5.0 XTN Z1, WHE 6.0 XTN Z1, WHE 6.5 XTN Z1, WHE 7.0 XTN Z1, WHE 8.0 XTN Z1.

1. Water heater shall be directly connected to cold water supply line with working pressure from 0.15 to 0.6 MPa. If water pressure in water supply line exceeds 0.6 MPa, a pressure reducing valve shall be in

WATERMASTER II Series. Water Heater Models: WHE 5.0 XTN Z1, WHE 6.0 XTN Z1, WHE 6.5 XTN Z1, WHE 7.0 XTN Z1, WHE 8.0 XTN Z1.

1. Water heater shall be directly connected to cold water supply line with working pressure from 0.15 to 0.6 MPa. If water pressure in water supply line exceeds 0.6 MPa, a pressure reducing valve shall be included to the feeding system to assure that working pressure does not exceed 0.6 MPa.
2. Water heater has inlet and outlet nozzles for connection to water main, the nozzles are marked with indication labels; the diameter of external thread is 12 mm (G1/2").
3. To avoid water leakages use rubber sealing gaskets when connecting all nozzles.
4. After water heater installation and before power supplying, the system shall be flushed with water to remove any impurities or free

! **ATTENTION!**

If water heater is used at specially complicated (obsolete) water supply networks with high amount of suspended particulate matter and impurities contained in water flowing through the mains, purifying filters shall be used on a **COMPULSORY** basis. Please, follow this recommendation, otherwise, the non-execution of this provision may influence the lifetime of the device and warranty servicing conditions (up to refusal to execute warranty liabilities by the device manufacturer and its maintenance services).

6. Make sure that water heater is operable, let water flow pass through it. Check the tightness of all connections and, if needed, tighten all retaining nuts and screws.

+ **NOTE:**

Prior to water heater installation, flush water supply pipes with flowing water.

WATERMASTER III Series. Water Heater Models: WHE 12.0 XTL C1, WHE 18.0 XTL C1, WHE 21.0 XTL C1, WHE 24.0 XTL C1.

1. Water heater shall be directly connected to cold water supply line with working pressure from 0.1 to 0.6 MPa. If water pressure in water supply line exceeds 0.6 MPa, a pressure reducing valve shall be

included to the feeding system to assure that working pressure does not exceed 0.6 MPa.

2. Water heater has inlet and outlet nozzles for connection to water main, the nozzles are marked with indication labels and are equipped with coupling nuts, 12 mm (G1/2") external thread diameter, and 2 adapters, 12 mm (G1/2") external thread diameter.
3. To avoid water leakages use rubber sealing gaskets when connecting all nozzles.
4. After water heater installation and before power supplying, the system shall be flushed with water to remove any impurities or free particles inside water heater. Otherwise, water heater operability may be affected.
5. It is **RECOMMENDED** to use a separate water filter at cold water inlet to increase the heating element lifetime if water hardness exceeds 450mg/l (CaCO₃).

! **ATTENTION!**

If water heater is used at specially complicated (obsolete) water supply networks with high amount of suspended particulate matter and impurities contained in water flowing through the mains, purifying filters shall be used on a **COMPULSORY** basis. Please, follow this recommendation, otherwise, the non-execution of this provision may influence the lifetime of the device and warranty servicing conditions (up to refusal to execute warranty liabilities by the device manufacturer and its maintenance services).

6. Make sure that water heater is operable, let water flow pass through it. Check the tightness of all connections and, if needed, tighten all retaining nuts and screws.

+ **NOTE:**

Prior to water heater installation, flush water supply pipes with flowing water.

Connection to Electric Main

WATERMASTER I Series. Water Heater Models: WHE 3.5 XTR H1, WHE 4.5 XTR H1, WHE 5.5 XTR H1

1. The connection to the electric main is made with 1 m long electric cable coming out from the device housing. If the cable length is insufficient, it can be extended with the help of special sealed electric contacts.
It is prohibited to use a plug and power receptacle when connecting water heater to the main, except for model WHE 3.5 XTR H1.
2. Water heater shall be connected to AC electric main with 220 V voltage by a three-core electric copper cable with the minimum core cross-section: for model WHE 3.5 XTR H1 – 3x1.5 mm² and 16 A circuit breaker; for models WHE 4.5 XTR H1, WHE 5.5 XTR H1 – 3x2.5 mm² and 25 A circuit breaker. In the event of wire cross-section increase it should be noted that water heater and electric cable shall be located on a thermally insulated or heated wall.
3. Water heater shall be stationary (constantly) connected to the power supply (except for model WHE 3.5 XTR H1), 220 V AC, with compulsory connection to a ground electric loop. Make sure that ground loop resistance is < Om.



ATTENTION!

It is prohibited to use a water heater without proper grounding.

WATERMASTER II Series. Water Heater Models WHE 5.0 XTN Z1, WHE 6.0 XTN Z1, WHE 6.5 XTN Z1, WHE 7.0 XTN Z1, WHE 8.0 XTN Z1

1. Power cable inlet is made at the smooth side of the device. It is prohibited to use a plug and power receptacle when connecting water heater to the main.
2. Water heater shall be connected to AC electric main with 220 V voltage by a three-core electric copper cable with the minimum core cross-section: for model WHE 5.0 XTN Z1 – 3x2,5 mm² and 25 A circuit breaker; for models WHE 6.0 XTN Z1, WHE 6.5 XTN Z1, WHE 7.0 XTN Z1 – 3x4 mm² and 32 A circuit breaker; for model WHE 8.0 XTN Z1 – 3x6 mm² and 40 A circuit breaker.

In the event of wire cross-section increase it should be noted that water heater and electric cable shall be located on a thermally insulated or heated wall.

3. Water heater shall be stationary (constantly) connected to the power supply (except for model WHE 3.5 XTR H1), 220 V AC, with compulsory connection to a ground electric loop. Make sure that ground loop resistance is < Om.



ATTENTION!

It is prohibited to use a water heater without proper grounding.

4. For connection to power supply:
 - Remove the front panel by unscrewing 2 screws at the device sides,
 - Strip the power cord ends by not less than 7-10 mm,
 - Pass the electric cable via electric cable inlet opening 10 (see Fig.4) at the rear part of the device,
 - Remove the clamping plate holding the electric cable, do not lose the positioning screws, make sure that the cable is not touching sharp edges and hot surfaces,
 - Connect the electric cable wires with junction block 8 (see Fig.4) according to its marking,
 - Make sure that securing screws are tightened correctly. Untight connection may result in heating of wires,
 - Install the electric cable plate into the main position with the help of positioning screws, make sure that the cable cannot be pulled out,
 - Check the tightness of connection of all internal electric contacts, including detachable contact block and bolted connection at heating elements.If there are any loose items, fix and tighten them,
 - Install the front panel and tighten 2 screws at the device sides.

WATERMASTER III Series. Water Heater Models: WHE 12.0 XTL C1, WHE 18.0 XTL C1, WHE 21.0 XTL C1, WHE 24.0 XTL C1.

1. Electric cable inlet is made at the rear side of the device.
2. Water heater shall be connected to AC electric main with 380 V voltage by a four-core electric copper cable with the minimum core cross-section: for model WHE 12.0 XTL C1 – 4x2.5 mm² and 3x25 A circuit breaker; for model WHE 18.0 XTL C1 – 4x4 mm² and 3x32 A circuit breaker; for models WHE 21.0 XTL C1, WHE 24.0 XTL C1 – 4x6 mm² and 3x40 A circuit breaker in the event of wire cross-section increase it should be noted that water heater and electric cable shall be located on a thermally insulated or heated wall.

! ATTENTION!

Neutral conductor is not used in the electric circuit of this water heater.

- Water heater shall be stationary (constantly) connected to the power supply (except for model WHE 3.5 XTR H1), 380 V AC, with compulsory connection to a ground electric loop. Make sure that

! ATTENTION!

It is prohibited to use a water heater without proper grounding.

- For connection to power supply:
 - Remove the front panel by unscrewing 2 screws at the top part of the device and 1 screw at the bottom part,
 - Strip the power cord ends by not less than 7-10 mm,
 - Pass the electric cable via electric cable inlet opening 13 (see Fig.6) at the rear panel of the device housing,
 - Remove the clamping plate holding the electric cable, do not lose the positioning screws, make sure that the cable is not touching sharp edges and hot surfaces,
 - Connect the electric cable wires with junction block 11 (see Fig.6) according to its marking,
 - Make sure that securing screws of the junction block are tightened correctly. Untight connection may result in heating of wires,
 - Install the electric cable plate into the main position with the help of positioning screws, make sure that the cable cannot be pulled out,
 - Check the tightness of connection of all internal electric contacts, including detachable contact blocks and bolted contact connection at heating elements. If there are any loose items, fix and tighten them,
 - Install the front panel and tighten 2 screws at the top part and 1 screw at the bottom part of the device.

7. WATER HEATER OPERATION

WATERMASTER I Series. Water Heater Models: WHE 3.5 XTR H1, WHE 4.5 XTR H1, WHE 5.5 XTR H1

- During the first water heater start-up or after long-term non-use, fill the device with water by opening the cut-off tap at cold water supply line, and make sure that there is a steady cold water flow at water outlet at the consumption point, after that switch on the device power supply.
- Incoming water is heated up inside the heating flask when it is flowing through the heating element. Water temperature in the water supply main may vary depending on a season from +3°C to +20°C, so, in winter water flow shall be less than in summer to assure the optimum water temperature.

! ATTENTION!

Water heater of WHE 3.5 XTR H1 Series, 3.5 kW, is designed for using during summer period with water temperature at inlet to water heater not less than +16°C+18°C

- Water flow is controlled by the tap at water inlet to water heater. It is prohibited to install the cut-off tap and/or shut off water supply at the outlet from water heater.
- When there is water flow, and water pressure is not less than 0.15 MPa, heating is switched on automatically, and indicating lamp 2 located at the front panel lights up (see Fig.1).
- After heating is switched on, you need to wait for 10-20 seconds to let temperature of heated water stabilize.
- The tap at the inlet nozzle (cold water inlet) can be used to regulate hot water temperature. By reducing water flow you increase water temperature at the outlet and, correspondingly, vice versa.
- To switch off the water heater, simply close water flow at the inlet to the device; pressure sensor automatically opens the circuit of power supply to heating element, and indicating lamp 2 located at the front panel goes down (see Fig.1). For the subsequent switching on of heating it is enough to reopen the tap supplying water to water heater.

! ATTENTION!

Do not switch on the water heater if there are grounds to suspect that water inside it has frozen.

7. WATER HEATER OPERATION

WATERMASTER I Series. Water Heater Models: WHE 3.5 XTR H1, WHE 4.5 XTR H1, WHE 5.5 XTR H1

1. During the first water heater start-up or after long-term non-use, fill the device with water by opening the cut-off tap at cold water supply line, and make sure that there is a steady cold water flow at water outlet at the consumption point, after that switch on the device power supply.
2. Incoming water is heated up inside the heating flask when it is flowing through the heating element. Water temperature in the water supply main may vary depending on a season from +3°C to +20°C, so, in winter water flow shall be less than in summer to assure the optimum water temperature.
3. Water flow is controlled by the tap at water inlet to water heater. It is prohibited to install the cut-off tap and/or shut off water supply at the outlet from water heater.
4. When there is water flow, and water pressure is not less than 0.15 MPa, heating is switched on automatically, and indicating lamp 2 located at the front panel lights up (see Fig.1).
5. After heating is switched on, you need to wait for 10-20 seconds to

! ATTENTION!

Do not switch on the water heater if there are grounds to suspect that water inside it has frozen.

7. To switch off the water heater, simply close water flow at the inlet to the device; pressure sensor automatically opens the circuit of power supply to heating element, and indicating lamp 2 located at the front panel goes down (see Fig.1). For the subsequent switching on of heating it is enough to reopen the tap supplying water to water heater.



ATTENTION!

If these activities have not resulted in any positive outcome or temperature switch trips out repeatedly within a short period of time, switch off power supply to water heater, close water supply to water heater and address the Authorized Timberk Service Center located at your region to receive any advice or maintenance. For the address of the Authorized Service Center, please, consult with the seller or visit our web-site at www.timberk.com.

WATERMASTER III Series. Water Heater Models: WHE 12.0 XTL C1, WHE 18.0 XTL C1, WHE 21.0 XTL C1, WHE 24.0 XTL C1.

Control Panel

1. Power supply indicator

Blinks if the device is power supplied, and lights up when device is switched on.

2. Heating indicator

Lights up when water is heated.

3. LED-display

The display shows the current water temperature value, and when temperature is set – desired water temperature value.

4. «» button

Is used to switch on and switch off the device.

5. «» button

Is used to reduce water temperature value.

6. «» button

Is used to increase water temperature value.

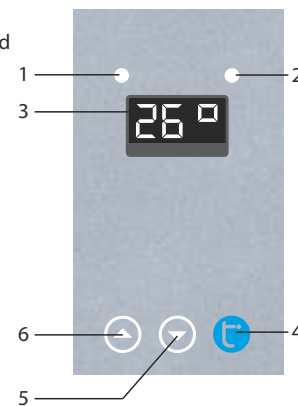

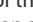
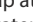


Рис. 15

Water Heater Operation

1. During the first water heater start-up or after long-term non-use, fill the device with water by opening the cut-off tap at cold water supply line, and make sure that there is a steady cold water flow at water outlet at the consumption point, after that switch on the device power supply, indicating lamp 1 at the control panel (see Fig.15) starts blinking.
2. To switch on the device, press «» button at the control panel, power supply indicator 1 (see Fig.15) will be constantly lit up.
3. Water temperature can be set within +35°C to +60°C range with the help of «» button (value increase) and «» (value decrease). If water heater does not heat up to the temperature set, water flow shall be reduced with the help of the tap at the inlet nozzle.
4. Water flow is controlled by the tap at water inlet to or outlet from water heater. When there is water flow, and water pressure is not less than 0.1 MPa, heating is switched on automatically, and indicating lamp 2 located at the control panel lights up (see Fig.15).
5. After heating is switched on, you need to wait for 10-20 seconds to let temperature of heated water stabilize.
6. Incoming water is heated up inside the heating flask when it is flowing through the heating element. Water temperature in the water supply main may vary depending on a season from +3°C to +20°C, so, in winter water flow shall be less than in summer to assure the optimum water temperature.
To switch off the water heater, simply close water flow at the inlet to or outlet from the device; electronic flow sensor automatically opens the circuit of power supply to heating element, and indicating lamp 2 located at the control panel goes down (see Fig.15), and power supply indicator 1 starts blinking. For the subsequent switching on of heating it is enough to reopen the water supplying or water draining tap.



ATTENTION!

Do not switch on the water heater if there are grounds to suspect that water inside it has frozen.

7. Temperature switch stops the power supply to heating element in the event of water overheating inside water heater. If water heater is connected to the electric main, and water heating is switched on,

but water is not heated up, it means that the temperature switch has tripped out or was not enabled. To return the water heater to operating mode, the button at temperature switch shall be pressed. Proceed as follows:

- Switch off the power supply to water heater, remove the front panel, press the black button located in the central part of temperature switch till it clicks; the temperature switch is located at water heater flask.



ATTENTION!

If these activities have not resulted in any positive outcome or temperature switch trips out repeatedly within a short period of time, switch off power supply to water heater, close water supply to water heater and address the Authorized Timberk Service Center located at your region to receive any advice or maintenance. For the address of the Authorized Service Center, please, consult with the seller or visit our web-site at www.timberk.com.

8. MAINTENANCE

During use of the water heater, scale may appear in nozzle openings of the shower spout. This reduces efficiency of heating, deteriorates water spraying, and increases water pressure in the heating vessel. For prevention of such phenomena, it is necessary to periodically clean the nozzle using household chemical agents and soft brushes. Do not use abrasive cleaning substances and inappropriate chemical agents.

a) Outer care:

- Switch off the appliance and allow it to fully cool down.
- Clean the outer surface of the appliance enclosure using a slightly moistened soft cloth and then wipe it dry. Do not use abrasive cleaning substances.

b) Filter cleaning:

If water flow rate from the heater decreases, it is necessary to clean the coarse filter installed at the cold water inlet to the water heater. Use the following procedure:

- Switch off the appliance and allow it to fully cool down.
- Shut off cold water feeding.
- Unscrew the cold water feed hose from the water heater, remove the coarse strainer and flush it under a jet of flowing water.
- Restore the inlet connections in the reverse sequence.

9. TROUBLESHOOTING

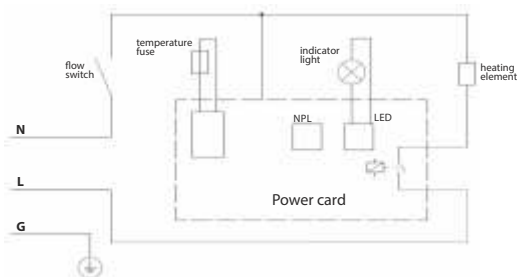
Possible malfunctions and methods of their elimination are given in Table 4.

Table 4

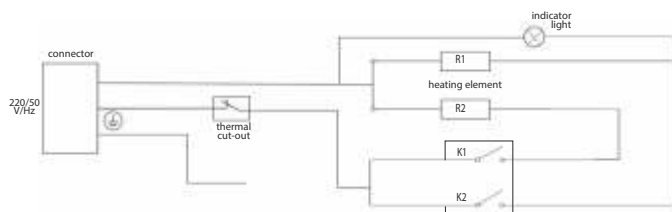
Problem	Possible causes	Troubleshooting method
Power supply indicator does not light up when power is switched on.	<ol style="list-style-type: none"> 1. No power. 2. Temperature limiting device – temperature switch has tripped out or was not enabled. 3. Defective printed circuit board. 4. Current leakage. 	<ol style="list-style-type: none"> 1. Check that electric power supply is connected. 2. Enable temperature switch. 3. Address the maintenance expert of Timberk Service Center.
Indicating heating lamp does not light up, water is not heated.	<ol style="list-style-type: none"> 1. Insufficient water flow. 2. Temperature limiting device actuated. 3. Too low pressure at water supply system. 	<ol style="list-style-type: none"> 1. Increase water flow. 2. Wait till the temperature limiting device cools down and operates (for Watermaster I Series). 3. Switch on the temperature switch (for Watermaster II Series). 4. Wait till normal water pressure builds up in the system.
Water is not running from hot water outlet tap.	<ol style="list-style-type: none"> 1. Water supply is switched off. 2. Cold water inlet tap is closed. 	<ol style="list-style-type: none"> 1. Wait till water supply in the water supply system is restored. 2. Open the cold water inlet tap.
Water leakage.	Problem with leak tightness of connections	Restore leak tightness of connections.
Water at the outlet from water heater is sometimes hot, sometimes cold.	<ol style="list-style-type: none"> 1. Unstable water pressure. 2. Temperature of water at the outlet from water heater is too high, overheating protection trips repeatedly. 	<ol style="list-style-type: none"> 1. Use water heater as soon as water pressure stabilizes. 2. Reduce heating capacity, increase water flow.
The heating indicator «Power» continues glowing, while the water inlet valve is closed.	Malfunction of water flow sensor.	Address the maintenance expert of Timberk Service Center.

10. ELECTRICAL SCHEMATIC DIAGRAM

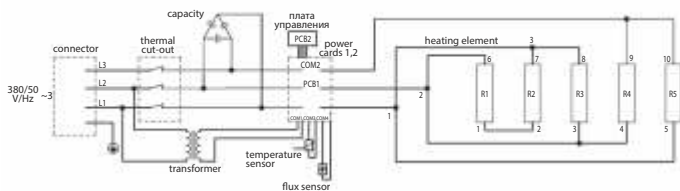
WATERMASTER I Series. Water Heater Models: WHE 3.5 XTR H1, WHE 4.5 XTN Z1, WHE 6.5 XTR H1, WHE 5.5 XTR H1.



WATERMASTER II Series. Water Heater Models: WHE 5.0 XTN Z1, WHE 6.0 XTN Z1, WHE 6.5 XTN Z1, WHE 7.0 XTN Z1, WHE 8.0 XTN Z1.



WATERMASTER III Series. Water Heater Models: WHE 12.0 XTL C1, WHE 18.0 XTL C1, WHE 21.0 XTL C1, WHE 24.0 XTL C1.



11. DISPOSAL

Upon expiration of service life, the water heater shall be disposed. For more details regarding disposal of the water heater, please contact a representative of the local authorities.

Service life of a device is 5 years.

СОДЕРЖАНИЕ:

1. Важная информация	18
2. Меры предосторожности	18
3. Рабочие характеристики	20
4. Устройство водонагревателя	22
5. Комплект поставки	24
6. Установка водонагревателя	24
7. Эксплуатация водонагревателя	29
8. Обслуживание	32
9. Устранение неисправностей	32
10. Принципиальная электрическая схема	33
11. Утилизация	33
12. Информация о сертификации	33

Уважаемый покупатель!

Благодарим Вас за удачный выбор и приобретение электрического водонагревателя проточного типа Timberk. Он прослужит Вам долго. Проточный водонагреватель предназначен для моментального подогрева водопроводной воды. Водонагреватель может быть установлен там, где есть возможность подключения к водопроводу и электропроводке, кроме помещений, в которых температура бывает ниже 0°C.

Водонагреватель удобен в установке и экономичен в использовании в связи с минимальными потерями электроэнергии и эффективным расходом горячей воды. Конструкция прибора, состоящая из термостойкой, прочной нагревательной колбы, спиральных элементов нагрева и устройств, контролирующих безопасную работу, позволяет с уверенностью утверждать, что удобный в эксплуатации водонагреватель **TIMBERK** прослужит Вам долгие годы.

1. ВАЖНАЯ ИНФОРМАЦИЯ

Просим внимательно ознакомиться с руководством по эксплуатации перед использованием водонагревателя.

В данном руководстве по эксплуатации содержится важная информация, касающаяся Вашей безопасности, а также рекомендации по правильному использованию прибора и уходу за ним. Сохраните руководство по эксплуатации вместе с гарантийным талоном, кассовым чеком, по возможности, картонной коробкой и упаковочным материалом. В данном руководстве по эксплуатации описываются разные виды данного типа устройства.

Приобретенный Вами водонагреватель может несколько отличаться от описанного в руководстве, что не влияет на способы использования и эксплуатации.

! ВАЖНЫЕ МЕРЫ ПРЕДОСТОРОЖНОСТИ И ИНСТРУКЦИИ, СОДЕРЖАЩИЕСЯ В ДАННОМ РУКОВОДСТВЕ, НЕ ВКЛЮЧАЮТ ВСЕХ ВОЗМОЖНЫХ РЕЖИМОВ И СИТУАЦИЙ, КОТОРЫЕ МОГУТ ВСТРЕЧАТЬСЯ. НЕОБХОДИМО ПОНИМАТЬ, ЧТО ЗДРАВЫЙ СМЫСЛ, ОСТОРОЖНОСТЬ И ТЩАТЕЛЬНОСТЬ ЯВЛЯЮТСЯ ФАКТОРАМИ, КОТОРЫЕ НЕВОЗМОЖНО «ВСТРОИТЬ» НИ В ОДИН ПРОДУКТ, ЭТИ ФАКТОРЫ ДОЛЖЕН УЧИТЫВАТЬ ЧЕЛОВЕК, КОТОРЫЙ ЗАИНТЕРЕСОВАН В НАДЛЕЖАЩЕЙ ЭКСПЛУАТАЦИИ УСТРОЙСТВА. ИЗГОТОВИТЕЛЬ НЕ НЕСЕТ ОТВЕТСТВЕННОСТИ В СЛУЧАЕ ПОВРЕЖДЕНИЯ ПРИБОРА ИЛИ ЕГО ОТДЕЛЬНЫХ ЧАСТЕЙ ВО ВРЕМЯ ТРАНСПОРТИРОВКИ, В РЕЗУЛЬТАТЕ НЕПРАВИЛЬНОЙ УСТАНОВКИ, В РЕЗУЛЬТАТЕ КОЛЕБАНИЙ НАПРЯЖЕНИЯ, А ТАКЖЕ В СЛУЧАЕ, ЕСЛИ КАКАЯ-ЛИБО ЧАСТЬ ПРИБОРА БЫЛА ИЗМЕНЕНА ИЛИ МОДИФИЦИРОВАНА.

2. МЕРЫ ПРЕДОСТОРОЖНОСТИ

При использовании водонагревателя, необходимо соблюдать ряд мер предосторожности. Неправильная эксплуатация в силу игнорирования мер предосторожности может привести к причинению вреда здоровью пользователя и других людей, а также нанесения ущерба их имуществу.

1. Любой электроприбор должен находиться под наблюдением во время его эксплуатации, особенно, если неподалёку от него находятся дети. Внимательно следите за тем, чтобы дети не прикасались к прибору.
2. Перед установкой водонагревателя, не подключая его к электросети, проверьте и убедитесь, что в вашей электрической сети присутствует заземляющий контур. При отсутствии заземляющего контура в вашей электросети эксплуатация водонагревателя опасна для жизни.
3. Подключайте водонагреватель к электрической сети строго с параметрами, указанными на маркировочной табличке водонагревателя. При необходимости выясните характеристики своей сети у поставщиков электроэнергии.
4. Никогда не используйте водонагреватель, если он неисправен.
5. Не снимайте лицевую панель водонагревателя во время его работы.

6. Незамедлительно отключите водонагреватель от электрической сети, если от него идут странные звуки, запах или дым.
7. Всегда отключайте водонагреватель от электрической сети во время грозы.
8. Перед началом чистки и технического обслуживания водонагревателя всегда отключайте его от электрической сети. Чистку и техническое обслуживание производите в соответствии с указаниями данного руководства по эксплуатации.
9. Не используйте опасные химические вещества для чистки водонагревателя и не допускайте их попадания на него.
10. Не используйте водонагреватель, в целях, не предусмотренных этим руководством по эксплуатации.
11. Не используйте водонагреватель во взрывоопасной или коррозионной среде. Не храните рядом с прибором бензин и другие летучие легковоспламеняющиеся жидкости - это очень опасно!
12. Запрещено вносить изменения в конструкцию водонагревателя или модифицировать его.
13. Любые сервисные работы должны производиться специализированной организацией, квалифицированными специалистами. Неправильная установка может повлечь за собой отказ в гарантийном обслуживании.
14. Водонагреватель не предназначен для использования лицами (включая детей) с ограниченными физическими, сенсорными или умственными возможностями, обладающими недостаточным опытом и знаниями, если они не находятся под наблюдением и не получили инструкций по использованию устройства от лица, ответственного за их безопасность. Необходимо, следить, чтобы дети не играли с прибором.
15. Не используйте водонагреватель с поврежденным электрическим кабелем или с другими повреждениями. Для диагностики и проведения ремонта обращайтесь в ближайший авторизованный сервисный центр изготовителя в вашем регионе.
16. Следите за тем, чтобы электрический кабель не пересекал острых краев и не касался горячих поверхностей.
17. Никогда не оставляйте включенный водонагреватель без присмотра.
18. Не позволяйте детям использовать водонагреватель без контроля взрослых.
19. Тщательно соблюдайте порядок подключения водонагревателя, поскольку неправильное подключение приведет к выходу его из строя и может причинить вред пользователю.
20. Не меняйте местами позиции входа и выхода воды, т.к. это приведет к поломке водонагревателя и может причинить вред пользователю (См. указатели IN -вход, OUT -выход). Водонагреватель необходимо подключать только выводами водяных патрубков вниз, в строго вертикальном положении. Подключение водонагревателя в ином положении приведет к выходу его из строя.
21. Водонагреватель предназначен только для нагрева воды. Не используйте изделие для нагревания других жидкостей, это может причинить серьезный вред водонагревателю.
22. Не подключайте электрические провода устройства к водопроводу, газопроводу и т.п.
23. Убедитесь в правильном подключении электропроводки (в т.ч. контуру заземления).
24. Температура воды на входе не должна превышать +35 °С.
25. Для использования водонагревателя в ванной комнате установите его так, чтобы водные брызги не попадали на его корпус.
26. Запрещается разбрызгивать воду на нагреватель или поливать его.
27. Запрещается тянуть за электропроводку внутри водонагревателя.

**ВНИМАНИЕ!**

Водонагреватель должен быть обязательно заземлен.

3. РАБОЧИЕ ХАРАКТЕРИСТИКИ

Серия WATERMASTER I. Модели водонагревателей WHE 3.5 XTR H1, WHE 4.5 XTR H1, WHE 5.5 XTR H1.

1. Мгновенный нагрев воды без предварительной обработки и ожидания.
2. Надёжный нихромовый спиральный нагревательный элемент с керамической защитой; специальная форма предотвращает существенное накопление накипи
3. Автоматическая температурная защита (электронный датчик температуры), защитит водонагреватель от перегрева, а пользователя от ожогов.
4. Гидравлический датчик протока, автоматически прекратит режим нагрева, если внезапно прекратится подача холодной воды, или упадет давление воды в системе ниже рабочего уровня.
5. Данный водонагреватель предназначен для семейного использования, для одной точки потребления воды и может быть установлен в любом удобном месте.
6. Ультра тонкая, компактная конструкция идеальна для монтажа и использования как в городской квартире, так и в загородном доме. А более быстрый и безопасный нагрев в сочетании со значительной экономией электроэнергии, значит и затрат, будет приятно радовать Вас на протяжении всего срока эксплуатации водонагревателя TIMBERK.

Серия WATERMASTER II. Модели водонагревателей WHE 5.0XTN Z1, WHE 6.0XTN Z1, WHE 6.5XTN Z1, WHE 7.0XTN Z1, WHE 8.0XTN Z1.

1. Мгновенный нагрев воды без предварительной обработки и ожидания.
2. Надёжный нихромовый спиральный нагревательный элемент; специальная форма предотвращает существенное накопление накипи
3. Температурная защита (термовыключатель), защитит водонагреватель от перегрева, а пользователя от ожогов.
4. Гидравлический датчик протока, автоматически прекратит режим нагрева, если внезапно прекратится подача холодной воды, упадет давление воды в системе, ниже рабочего уровня или будет перекрыт выход воды.
5. Данный водонагреватель предназначен для нескольких точек потребления воды (в линию) и может быть установлен в любом удобном месте.

6. Ультра тонкая, компактная конструкция идеальна для монтажа и использования как в городской квартире, так и в загородном доме. А более быстрый и безопасный нагрев в сочетании со значительной экономией электроэнергии, значит и затрат, будет приятно радовать Вас на протяжении всего срока эксплуатации водонагревателя TIMBERK.

Серия WATERMASTER III. Модели водонагревателей WHE 12.0 XTL C1, WHE 18.0 XTL C1, WHE 21.0 XTL C1, WHE 24.0 XTL C1.

1. Мгновенный нагрев воды без предварительной обработки и ожидания.
2. Надёжный нихромовый спиральный нагревательный элемент; специальная форма предотвращает существенное накопление накипи
3. Автоматическая температурная защита (электронный датчик температуры и термовыключатель), защитит водонагреватель от перегрева, а пользователя от ожогов.
4. Гидравлический датчик протока, автоматически прекратит режим нагрева, если внезапно прекратится подача холодной воды, упадет давление воды в системе, ниже рабочего уровня или будет перекрыт выход воды.
5. Данный водонагреватель предназначен для нескольких точек потребления воды (в линию) и может быть установлен в любом удобном месте.
6. Интеллектуальное сверхточное автоматическое электронное управление нагревом воды.
7. Установка необходимой и отображение текущей температуры воды на LED-дисплее с точностью в 1°С.
8. Автоматическая защита от избыточного давления воды.
9. Компактная конструкция идеальна для монтажа в ограниченном пространстве. А более быстрый и безопасный нагрев в сочетании со значительной экономией электроэнергии, значит и затрат, будет приятно радовать Вас на протяжении всего срока эксплуатации водонагревателя TIMBERK.

Технические характеристики

Технические характеристики водонагревателя серии WATERMASTER I представлены в таблице 1

Таблица 1

Наименование	ед.изм	Артикул		
		WHE 3.5 XTR H1	WHE 4.5 XTR H1	WHE 5.5 XTR H1
Ном.напряжение (переменное)	В/Гц	220/50	220/50	220/50
Номинальная сила тока	А	15,1	20,5	25,0
Номинальная потребляемая мощность	кВт	3,5	4,5	5,5
Рабочее давление	МПа	0,1-0,6	0,1-0,6	0,1-0,6
Производительность (при $\Delta t=20^{\circ}\text{C}$)	л/мин	2,4	3,1	3,8
Класс электрозащиты	-	I	I	I
Степень защиты	-	IPX4	IPX4	IPX4
Кабель подключения к электросети (медь)	мм ²	3x1,5	3x2,5	3x2,5
Автоматический выключатель	А	16	25	25
Габаритные размеры	мм (В x Ш x Г)	210x120x85	210x120x85	210x120x85
Вес нетто	кг	0,8	0,8	0,8

Технические характеристики водонагревателя серии WATERMASTER II представлены в таблице 2

Таблица 2

Наименование	ед.изм	Артикул				
		WHE 5.0 XTN Z1	WHE 6.0 XTN Z1	WHE 6.5 XTN Z1	WHE 7.0 XTN Z1	WHE 8.0 XTN Z1
Ном.напряжение (переменное)	В/Гц	220/50	220/50	220/50	220/50	220/50
Номинальная сила тока	А	22,8	27,3	29,6	31,8	36,4
Номинальная потребляемая мощность	кВт	5,0	6,0	6,5	7,0	8,0
Рабочее давление	МПа	0,1 - 0,6	0,1 - 0,6	0,1 - 0,6	0,1 - 0,6	0,1 - 0,6
Производительность (при $\Delta t=20^{\circ}\text{C}$)	л/мин	3,5	4,2	4,5	4,9	5,6
Класс электрозащиты	-	I	I	I	I	I
Степень защиты	-	IP24	IP24	IP24	IP24	IP24
Кабель подключения к электросети (медь)	мм ²	3x2,5	3x4	3x4	3x4	3x6
Автоматический выключатель	А	25	32	32	32	40
Габаритные размеры	мм (В x Ш x Г)	172x188x90	172x188x90	172x188x90	172x188x90	172x188x90
Вес нетто	кг	1,0	1,0	1,0	1,0	1,0

Технические характеристики водонагревателя серии WATERMASTER III представлены в таблице 3.

Таблица 3

Наименование	ед.изм	Артикул			
		WHE 12.0 XTL C1	WHE 18.0 XTL C1	WHE 21.0 XTL C1	WHE 24.0 XTL C1
Ном.напряжение (переменное)	В/Гц	380 3~/50	380 3~/50	380 3~/50	380 3~/50
Номинальная сила тока	А	3x18,2	3x27,3	3x32,0	3x36,5
Номинальная потребляемая мощность	кВт	12,0	18,0	21,0	24,0
Рабочее давление	МПа	0,1-0,6	0,1-0,6	0,1-0,6	0,1-0,6
Производительность (при $\Delta t=20\text{ }^{\circ}\text{C}$)	л/мин	8,4	11	11	11
Класс электрозащиты	-	I	I	I	I
Степень защиты	-	IP24	IP24	IP24	IP24
Кабель подключения к электросети (медь)	мм ²	4x2,5	4x4	4x6	4x6
Автоматический выключатель	А	3x25	3x32	3x40	3x40
Габаритные размеры	мм (В x Ш x Г)	460x260x128	460x260x128	460x260x128	460x260x128
Вес нетто	кг	4,2	4,2	4,2	4,2

4. УСТРОЙСТВО ВОДОНАГРЕВАТЕЛЯ

Устройство водонагревателя серии WATERMASTER I представлено на рисунке 1, 2.



Рис. 1

1. Лицевая панель
2. Индикаторная лампочка

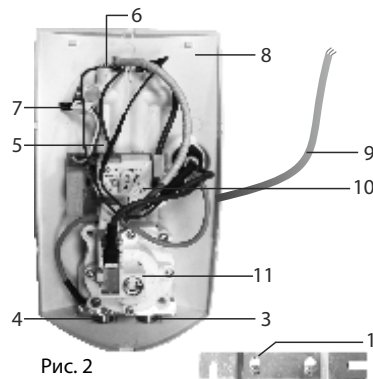


Рис. 2

3. Входной патрубок
4. Выходной патрубок
5. Нагревательная колба
6. Спиральный нагревательный элемент
7. Электронный датчик температуры
8. Задняя панель
9. Сетевой шнур
10. Силовая плата
11. Гидравлический датчик протока
12. Кронштейн крепления к стене

Устройство водонагревателя серии WATERMASTER II представлено на рисунке 3, 4.



Рис. 3

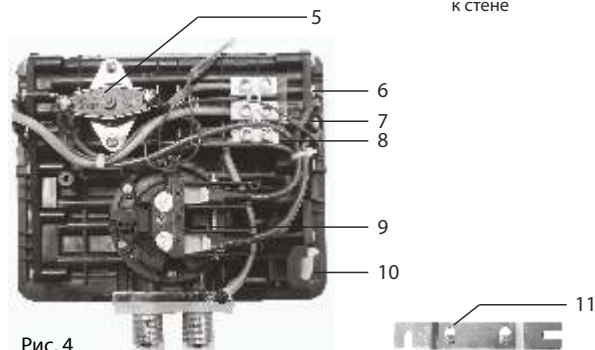


Рис. 4

Устройство водонагревателя серии WATERMASTER III представлено на рисунке 5, 6.



Рис. 5

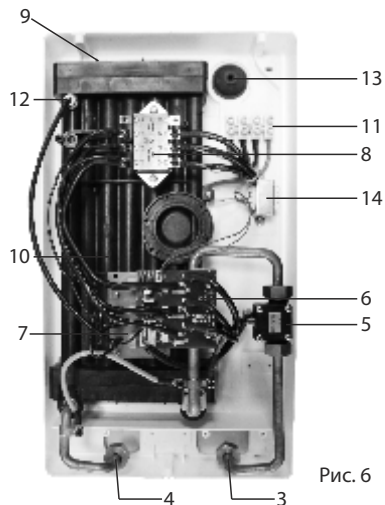


Рис. 6

5. КОМПЛЕКТ ПОСТАВКИ

1. Водонагреватель – 1 шт
2. Монтажная фурнитура – 1 шт
3. Руководство по эксплуатации – 1 шт
4. Гарантийный талон -1 шт
5. Упаковка – 1 шт

6. УСТАНОВКА ВОДОНАГРЕВАТЕЛЯ

Местоположение

1. Водонагреватель может быть установлен в любом месте при условии, что температура в помещении не будет ниже 0°C
2. Водонагреватель устанавливается на плоскую поверхность стены строго параллельно полу выходными патрубками вниз, в месте, где вода и брызги не могли бы попасть на его корпус.
3. При определении местоположения водонагревателя следует обеспечить свободный доступ к нему из расчёта не менее 0,3 м сверху, снизу и от боковых сторон. Это даст возможность максимально удобно обслуживать и регулировать водонагреватель при необходимости.
4. Водонагреватель должен быть установлен таким образом, чтобы расстояние от нижней части прибора до пола составляло не более 1,6 м

Монтаж водонагревателя

Серия WATERMASTER I. Модели водонагревателей WHE 3.5 XTR H1, WHE 4.5 XTR H1, WHE 5.5 XTR H1.

Согласно рисунку 7 определите точки под отверстия и просверлите в стене 2 отверстия, соответствующей глубины, вставьте в них дюбели, заверните винты и удостоверьтесь в том, что между головкой винта и стеной имеется определённое расстояние, после чего повесьте на винты водонагреватель (см. рис. 8) и проверьте надёжность крепления.

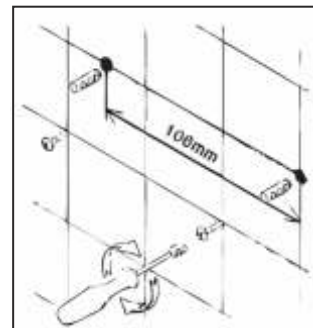


Рис. 7

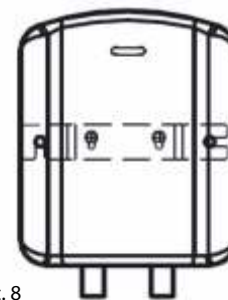


Рис. 8



ПРИМЕЧАНИЕ:

Установка водонагревателя в месте эксплуатации и подвод электропитания должны производиться специализированной организацией, представителями сервисной службы изготовителя или специалистами, имеющими разрешения на проведение работ по монтажу электрического оборудования, с соблюдением требований безопасности.

При нарушении руководства по эксплуатации водонагревателя, прибор гарантийному обслуживанию не подлежит, а изготовитель ответственности не несет.

Серия WATERMASTER II. Модели водонагревателей WHE 5.0 XTN Z1, WHE 6.0 XTN Z1, WHE 6.5 XTN Z1, WHE 7.0 XTN Z1, WHE 8.0 XTN Z1.

Согласно рисунку 9 определите точки под отверстия и просверлите в стене 2 отверстия, соответствующей глубины, вставьте в них дюбели, заверните винты и удостоверьтесь в том, что между головкой винта и стеной имеется определённое расстояние, после чего повесьте на винты водонагреватель (см. рис. 10) и проверьте надёжность крепления.

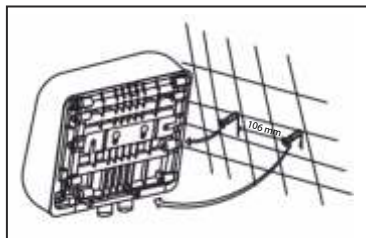


Рис. 9

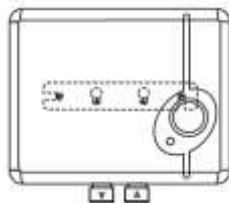


Рис. 10



ПРИМЕЧАНИЕ:

Установка водонагревателя в месте эксплуатации и подвод электропитания должны производиться специализированной организацией, представителями сервисной службы изготовителя или специалистами, имеющими разрешения на проведение работ по монтажу электрического оборудования, с соблюдением требований безопасности.

При нарушении руководства по эксплуатации водонагревателя, прибор гарантийному обслуживанию не подлежит, а изготовитель ответственности не несет.

Серия WATERMASTER III. Модели водонагревателей WHE 12.0 XTL C1, WHE 18.0 XTL C1, WHE 21.0 XTL C1, WHE 24.0 XTL C1.

Согласно рисунку 11 определите точки под отверстия и просверлите в стене 4 отверстия, соответствующей глубины, вставьте в них дюбели, приложите к ним водонагреватель, предварительно введя в него электрический кабель (см. рис. 12, 13), и заверните винты, после чего проверьте надёжность крепления.

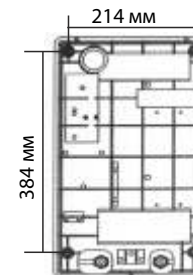


Рис. 11

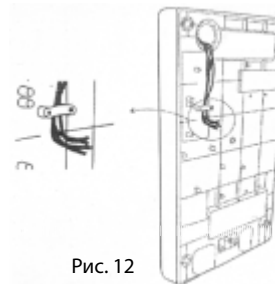


Рис. 12

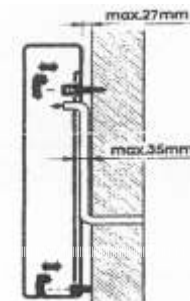


Рис. 13

**ПРИМЕЧАНИЕ:**

Установка водонагревателя в месте эксплуатации и подвод электропитания должны производиться специализированной организацией, представителями сервисной службы изготовителя или специалистами, имеющими разрешения на проведение работ по монтажу электрического оборудования, с соблюдением требований безопасности.

При нарушении руководства по эксплуатации водонагревателя, прибор гарантийному обслуживанию не подлежит, а изготовитель ответственности не несет.

Подключение к водопроводной магистрали**ПРИМЕЧАНИЕ:**

Перед подключением водонагревателя к водопроводной магистрали удалите транспортировочные заглушки с входного и выходного патрубков.

Серия WATERMASTER I. Модели водонагревателей WHE 3.5 XTR H1, WHE 4.5 XTR H1, WHE 5.5 XTR H1.

1. Водонагреватель должен быть напрямую подключен к водопроводной сети холодного водоснабжения с рабочим давлением от 0,1 до 0,6 МПа. Если давление воды в водопроводной сети превышает 0,6 МПа, то в подводящей системе следует смонтировать редуцирующий клапан (редуктор давления), чтобы рабочее давление не превышало 0,6 МПа.
2. Для подключения к водопроводной магистрали водонагреватель имеет входной и выходной патрубки, отмеченные индикационными ярлычками, с внешней резьбой диаметром 10 мм (G3/8"). Для подключения к трубам диаметром 12 мм (G1/2") использовать специальные переходники*. (* - не входят в комплект поставки).
3. При соединении любых патрубков, во избежание утечек воды, применяйте резиновые уплотнительные прокладки.
4. Кран перекрывающий подачу холодной воды необходимо установить перед её входом в водонагреватель. Запрещается установка перекрывающего крана на выходе горячей воды из водонагревателя. (Рис.14)
5. После того, как водонагреватель установлен и прежде, чем Вы подсоедините электропитание необходимо промыть систему водой, чтобы удалить любые загрязнения или свободные частицы внутри водонагревателя. Если вы этого не сделаете, то работоспособность водонагревателя может быть нарушена.
6. На входе холодной воды РЕКОМЕНДУЕТСЯ использовать отдельный фильтр очистки воды для увеличения срока службы нагревательного элемента, если жесткость воды составляет более 450мг/л (CaCO₃).

**ВНИМАНИЕ!**

При использовании водонагревателя в особо сложных (устаревших) сетях водоснабжения с большим количеством взвешенных частиц и примесей в протекающей в них воде, применение очистительных фильтров **ОБЯЗАТЕЛЬНО**.

7. Убедитесь в работоспособности водонагревателя, пропустив водяной поток через него. Проверьте плотность всех соединений и, если понадобится, подтяните гайки и винты крепления.

**ПРИМЕЧАНИЕ:**

До установки водонагревателя промыть проточной водой водопроводные трубы.

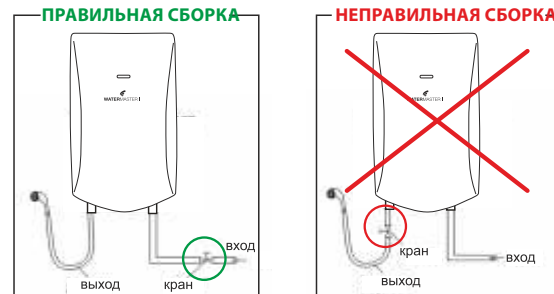


Рис. 14

Серия WATERMASTER II. Модели водонагревателей WHE 5.0 XTN Z1, WHE 6.0 XTN Z1, WHE 6.5 XTN Z1, WHE 7.0 XTN Z1, WHE 8.0 XTN Z1.

1. Водонагреватель должен быть напрямую подключен к водопроводной сети холодного водоснабжения с рабочим давлением от 0,1 до 0,6 МПа. Если давление воды в водопроводной сети превышает 0,6 МПа, то в подводящей системе следует смонтировать редуцирующий клапан (редуктор давления), чтобы рабочее давление не превышало 0,6 МПа.
2. Для подключения к водопроводной магистрали водонагреватель имеет входной и выходной патрубки, отмеченные индикационными ярлычками, с внешней резьбой диаметром 12 мм (G1/2").

- При соединении любых патрубков, во избежание утечек воды, применяйте резиновые уплотнительные прокладки.
- После того, как водонагреватель установлен и прежде, чем Вы подсоедините электропитание необходимо промыть систему водой, чтобы удалить любые загрязнения или свободные частицы внутри водонагревателя. Если вы этого не сделаете, то работоспособность водонагревателя может быть нарушена.
- На входе холодной воды РЕКОМЕНДУЕТСЯ использовать отдельный фильтр очистки воды для увеличения срока службы нагревательного элемента, если жесткость воды составляет более 450мг/л (CaCO₃).

⚠ ВНИМАНИЕ!

При использовании водонагревателя в особо сложных (устаревших) сетях водоснабжения с большим количеством взвешенных частиц и примесей в протекающей в них воде, применение очистительных фильтров **ОБЯЗАТЕЛЬНО**. Воспользуйтесь данной рекомендацией, в противном случае невыполнение данного пункта может повлиять на срок службы изделия и условия гарантийного обслуживания (вплоть до отказа в выполнении гарантийных обязательств изготовителем изделия и его сервисными службами).

- Убедитесь в работоспособности водонагревателя, пропустив водяной поток через него. Проверьте плотность всех соединений и, если понадобится, подтяните гайки и винты крепления.

⊕ ПРИМЕЧАНИЕ:

До установки водонагревателя промыть проточной водой водопроводные трубы.

Серия WATERMASTER III. Модели водонагревателей WHE 12.0 XTL C1, WHE 18.0 XTL C1, WHE 21.0 XTL C1, WHE 24.0 XTL C1.

- Водонагреватель должен быть напрямую подключен к водопроводной сети холодного водоснабжения с рабочим давлением от 0,1 до 0,6 МПа. Если давление воды в водопроводной сети превышает 0,6 МПа, то в подводящей системе следует смонтировать редукционный клапан (редуктор давления), чтобы рабочее давление не превышало 0,6 МПа.
- Для подключения к водопроводной магистрали водонагреватель имеет входной и выходной патрубки, отмеченные индикационны-

ми ярлыками, с накидными гайками с внутренней резьбой диаметром 12 мм (G1/2") и комплектуется 2 переходниками с внешней резьбой диаметром 12 мм (G1/2").

- При соединении любых патрубков, во избежание утечек воды, применяйте резиновые уплотнительные прокладки.
- После того, как водонагреватель установлен и прежде, чем Вы подсоедините электропитание необходимо промыть систему водой, чтобы удалить любые загрязнения или свободные частицы внутри водонагревателя. Если вы этого не сделаете, то работоспособность водонагревателя может быть нарушена.
- На входе холодной воды РЕКОМЕНДУЕТСЯ использовать отдельный фильтр очистки воды для увеличения срока службы нагревательного элемента .если жесткость воды составляет более 450мг/л (CaCO₃).

⚠ ВНИМАНИЕ!

При использовании водонагревателя в особо сложных (устаревших) сетях водоснабжения с большим количеством взвешенных частиц и примесей в протекающей в них воде, применение очистительных фильтров **ОБЯЗАТЕЛЬНО**. Воспользуйтесь данной рекомендацией, в противном случае невыполнение данного пункта может повлиять на срок службы изделия и условия гарантийного обслуживания (вплоть до отказа в выполнении гарантийных обязательств изготовителем изделия и его сервисными службами).

- Убедитесь в работоспособности водонагревателя, пропустив водяной поток через него. Проверьте плотность всех соединений и, если понадобится, подтяните гайки и винты крепления.

⊕ ПРИМЕЧАНИЕ:

До установки водонагревателя промыть проточной водой водопроводные трубы.

Подключение к электрической сети

Серия WATERMASTER I. Модели водонагревателей WHE 3.5 XTR H1, WHE 4.5 XTR H1, WHE 5.5 XTR H1.

- Подключение к электропитанию, осуществляется с помощью электрического кабеля длиной 1м, выведенного из корпуса прибора. При недостаточной длине кабеля допускается его удлинение, с помощью специальных герметичных электрических контактов.

Запрещено использование штепсельной электрической вилки и розетки при подключении водонагревателя к электрической сети, кроме модели WHE 3.5 XTR H1.

2. Водонагреватель должен быть подключен к электрической сети переменного тока с напряжением 220 В трехжильным медным электрическим кабелем с минимальным сечением жилы: для модели WHE 3.5 XTR H1 3x1,5 мм² и автоматом защиты 16 А; для моделей WHE 4.5 XTR H1, WHE 5.5 XTR H1 3x2,5 мм² и автоматом защиты 25А. Следует помнить об увеличении сечения провода, если водонагреватель и сам электрический кабель расположены на термоизолированной или нагреваемой стене.
3. Водонагреватель должен быть стационарно (постоянно) подключен к источнику электропитания (кроме модели WHE 3.5 XTR H1) 220 В, переменного тока с обязательным подсоединением к заземляющему электрическому контуру. Удостоверьтесь в том, что сопротивление заземляющего контура составляет < 0м.



ВНИМАНИЕ!

Запрещается использовать водонагреватель без надежного заземления.

Серия WATERMASTER II. Модели водонагревателей WHE 5.0 XTN Z1, WHE 6.0 XTN Z1, WHE 6.5 XTN Z1, WHE 7.0 XTN Z1, WHE 8.0 XTN Z1.

1. Ввод кабеля электропитания, осуществляется через заднюю сторону прибора. Запрещено использование штепсельной электрической вилки и розетки при подключении водонагревателя к электрической сети.
2. Водонагреватель должен быть подключен к электрической сети переменного тока с напряжением 220 В трехжильным медным электрическим кабелем с минимальным сечением жилы: для модели WHE 5.0 XTN Z1 3x2,5 мм² и автоматом защиты 25 А; для моделей WHE 6.0 XTN Z1, WHE 6.5 XTN Z1, WHE 7.0 XTN Z1 3x4 мм² и автоматом защиты 32А; для модели WHE 8.0 XTN Z1 3x6 мм² и автоматом защиты 40А.

Следует помнить об увеличении сечения провода, если водонагреватель и сам электрический кабель расположены на термоизолированной или нагреваемой стене.

3. Водонагреватель должен быть стационарно (постоянно) подключен к источнику электропитания 220 В, переменного тока с обязательным подсоединением к заземляющему электрическому контуру. Удостоверьтесь в том, что сопротивление заземляющего контура составляет < 0м.



ВНИМАНИЕ!

Запрещается использовать водонагреватель без надежного заземления.

4. Для подключения электропитания:
 - Снимите лицевую панель, предварительно открутив 2 винта с боковых сторон прибора,
 - Оголите изоляцию проводов питания на длину 7-10 мм,
 - Проведите электрический кабель через отверстие входа электрического кабеля 10 (см. рис. 4) в задней части прибора,
 - Снимите пластину, прижимающую электрический кабель, не потеряйте установочные винты, следите за тем, чтобы кабель не пересекал острых краев и не касался горячих поверхностей,
 - Соедините провода электрического кабеля с соединительной колодкой 8 (см. рис. 4) в соответствии с нанесённой на неё маркировкой,
 - Удостоверьтесь, что все зажимные винты колодки зажаты надежно. Не плотно зажатое соединение может привести к нагреву проводов,
 - Установите пластину электрического кабеля в основное положение при помощи установочных винтов, удостоверьтесь в том, что электрический кабель нельзя вынуть,
 - Проверьте плотность соединения всех внутренних электрических контактов, включая съемные контактные группы и болтовое контактное соединение на нагревательных элементах. При наличии ослабленных мест необходимо выполнить их закрепление и затяжку,
 - Установите лицевую панель и закрутите 2 винта на боковых сторонах прибора.

Серия WATERMASTER III. Модели водонагревателей WHE 12.0 XTL C1, WHE 18.0 XTL C1, WHE 21.0 XTL C1, WHE 24.0 XTL C1.

1. Ввод кабеля электропитания осуществляется через заднюю панель прибора.
2. Водонагреватель должен быть подключен к электрической сети переменного тока с напряжением 380 В четырёхжильным медным электрическим кабелем с минимальным сечением жилы: для модели WHE 12.0 XTL C1 4x2,5 мм² и автоматом защиты 3x25А; для модели WHE 18.0 XTL C1 4x4 мм² и автоматом защиты 3x32А; для моделей WHE 21.0 XTL C1, WHE 24.0 XTL C1 4x6 мм² и автоматом защиты 3x40А.

3x32A; для моделей WHE 21.0 XTL C1, WHE 24.0 XTL C1 4x6 мм² и автоматом защиты 3x40A.

Следует помнить об увеличении сечения провода, если водонагреватель и сам электрический кабель расположены на термоизолированной или нагревающейся стене.



ПРИМЕЧАНИЕ:

В электрической схеме данного водонагревателя не применяется нулевой провод.

3. Водонагреватель должен быть стационарно (постоянно) подключен к источнику электропитания 380 В, переменного тока с обязательным подсоединением к заземляющему электрическому контуру. Удостоверьтесь в том, что сопротивление заземляющего контура составляет < 0м.



ВНИМАНИЕ!

Запрещается использовать водонагреватель без надежного заземления.

4. Для подключения электропитания:
 - Снимите лицевую панель, предварительно открутив 2 винта в верхней части прибора и 1 винт в нижней части прибора,
 - Оголите изоляцию проводов питания на длину 7-10 мм,
 - Проведите электрический кабель через отверстие входа электрического кабеля 13 (см. рис. 6) в задней панели прибора,
 - Снимите пластину, прижимающую электрический кабель, не потеряйте установочные винты, следите за тем, чтобы кабель не пересекал острых краев и не касался горячих поверхностей,
 - Соедините провода электрического кабеля с соединительной колодкой 11 (см. рис. 6) в соответствии с нанесённой на неё маркировкой,
 - Удостоверьтесь, что все зажимные винты колодки зажаты надежно. Не плотно зажатое соединение может привести к нагреву проводов,
 - Установите пластину электрического кабеля в основное положение при помощи установочных винтов, удостоверьтесь в том, что электрический кабель нельзя вынуть,
 - Проверьте плотность соединения всех внутренних электрических контактов, включая съемные контактные группы и болтовое контактное соединение на нагревательных элементах. При наличии ослабленных мест необходимо выполнить их закрепление и затяжку,

- Установите лицевую панель и закрутите 2 винта в верхней части прибора и 1 винт в нижней части прибора.

7. ЭКСПЛУАТАЦИЯ ВОДОНАГРЕВАТЕЛЯ

Серия WATERMASTER I. Модели водонагревателей WHE 3.5 XTR H1, WHE 4.5 XTR H1, WHE 5.5 XTR H1.

1. При первом запуске в работу или после длительного перерыва в эксплуатации водонагревателя, заполните его водой, для чего откройте запорный кран подачи холодной воды и убедитесь, что на выходе воды в точке потребления устойчиво течет холодная вода, после чего включите электропитание прибора.
2. Входящая вода нагревается внутри нагревательной колбы во время протекания через нагревательный элемент. Температура воды в водопроводной сети может колебаться в течение года от +3°C до +20°C, поэтому для получения оптимальной температуры воды зимой проток следует делать меньше, чем летом.



ВНИМАНИЕ!

Водонагреватель серии WHE 3.5 XTR H1 мощностью 3,5 кВт, предназначен для использования в летний период, при температуре воды на входе в водонагреватель не менее +16°C - +18°C.

3. Поток воды контролируется краном на входе воды в водонагреватель. Запрещено устанавливать отсечный кран и/или перекрывать подачу воды на входе из водонагревателя.
4. При наличии протока и давления воды не менее 0,1 МПа включение нагрева происходит автоматически, при этом загорается индикаторная лампочка 2 на лицевой панели (см. рис. 1).
5. После включения нагрева необходимо подождать 10-20 секунд для стабилизации температуры нагреваемой воды.
6. Для регулировки температуры горячей воды можно использовать кран на входной трубке (вход холодной воды). Уменьшая проток воды вы увеличиваете температуру воды на выходе и, соответственно, наоборот.
7. Для выключения водонагревателя можно только закрыть проток воды на входе в прибор, датчик давления автоматически

3. Поток воды контролируется краном на входе воды в водонагреватель. Запрещено устанавливать отсечной кран и/или перекрывать подачу воды на выходе из водонагревателя.
4. При наличии протока и давления воды не менее 0,1 МПа

**ВНИМАНИЕ!**

Не включайте водонагреватель, если существует подозрение, что вода в нем замерзла.

Серия WATERMASTER II. Модели водонагревателей WHE 5.0 XTN Z1, WHE 6.0 XTN Z1, WHE 6.5 XTN Z1, WHE 7.0 XTN Z1, WHE 8.0 XTN Z1.

1. При первом запуске в работу или после длительного перерыва в эксплуатации водонагревателя, заполните его водой, для чего откройте запорный кран подачи холодной воды и убедитесь, что на выходе воды в точке потребления устойчиво течет холодная вода, после чего включите электропитание прибора.
2. Входящая вода нагревается внутри нагревательной колбы во время протекания через нагревательный элемент. Температура воды в водопроводной сети может колебаться в течение года от +3°C до +20°C, поэтому для получения оптимальной температуры воды зимой проток следует делать меньше, чем летом.
3. Поток воды контролируется краном на входе или на выходе воды из водонагревателя. При наличии протока и давления воды не менее 0,1 МПа включение нагрева происходит автоматически, при этом загорается индикаторная лампочка 2 на лицевой панели (см. рис. 3).
4. После включения нагрева необходимо подождать 10-20 секунд для стабилизации температуры нагреваемой воды.
5. Для регулировки температуры горячей воды можно использовать кран на входном патрубке (вход холодной воды). Уменьшая поток воды вы увеличиваете температуру воды на выходе и, соответственно, наоборот.
6. Для выключения водонагревателя можно закрыть проток воды на входе или на выходе из прибора, гидравлический датчик протока автоматически разомкнёт цепь подачи электроэнергии к нагревательному элементу, при этом индикаторная лампочка 2 на лицевой панели погаснет (см. рис. 6). Для последующего включения нагрева достаточно вновь открыть кран подачи или выхода воды.

**ВНИМАНИЕ!**

Не включайте водонагреватель, если существует подозрение, что вода в нем замерзла.

8. Термовыключатель прекратит подачу энергии к нагревательному элементу при перегреве воды в водонагревателе. Если водонагреватель включен в сеть и включен нагрев воды, но нагревание воды не происходит, значит отключился или не был включен термовыключатель. Для возврата водонагревателя в рабочее состояние нужно включить кнопку на термовыключателе. Для этого нужно проделать следующее: Отключить питание от электронагревателя, снять лицевую панель, нажать до щелчка черную кнопку, расположенную по центру термовыключателя, который находится на колбе водонагревателя.

**ВНИМАНИЕ!**

Если данные действия не дали положительного результата или отключение термовыключателя происходит неоднократно, в течении короткого промежутка времени, тогда следует отключить питание водонагревателя, перекрыть в водонагреватель и обратиться в Авторизованный сервисный центр Timberk в Вашем регионе для получения консультации или ремонта изделия. Адрес Авторизованного сервисного центра Вы можете узнать у продавца или на сайте www.timberk.com.

Серия WATERMASTER III. Модели водонагревателей WHE 12.0 XTL C1, WHE 18.0 XTL C1, WHE 21.0 XTL C1, WHE 24.0 XTL C1.

Панель управления

1. Индикатор питания

Моргает при наличии электропитания прибора и горит при включении прибора.

2. Индикатор нагрева

Загорается при нагреве воды.

3. LED-дисплей

На дисплее отображается значение текущей температуры воды, а при установке температуры значение желаемой температуры воды.

4. Кнопка «»

Используется для включения и отключения прибора.

5. Кнопка «»

Используется для уменьшения значения температуры воды

6. Кнопка «»

Используется для увеличения значения температуры воды.

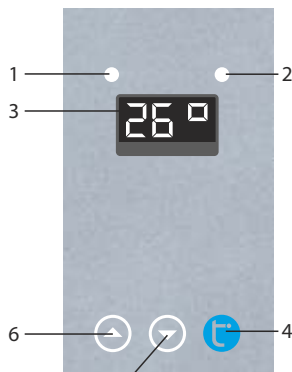


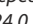


Рис. 15

Работа водонагревателя

1. При первом запуске в работу или после длительного перерыва в эксплуатации водонагревателя, заполните его водой, для чего откройте запорный кран подачи холодной воды и убедитесь, что на выходе воды в точке потребления устойчиво течет холодная вода, после чего включите электропитание прибора, при этом на панели управления заморгает индикатор питания 1 (см. рис. 15).
2. Для включения прибора нажмите кнопку «» на панели управления, при этом индикатор питания 1 (см. рис. 15) будет гореть постоянно.
3. Температуру воды можно установить в диапазоне от +35°C до

+60°C, с помощью кнопок «» (увеличение значения) и кнопки «» (уменьшение значения). Если водонагреватель не нагревает до установленной температуры, то необходимо уменьшить поток воды, с помощью крана на входном патрубке.

4. Поток воды контролируется краном на входе или на выходе воды из водонагревателя. При наличии протока и давления воды не менее 0,1 МПа включение нагрева происходит автоматически (если прибор включен), при этом загорается индикатор нагрева 2 на панели управления (см. рис. 15).
5. После включения нагрева необходимо подождать 10-20 секунд для стабилизации температуры нагреваемой воды.
6. Входящая вода нагревается внутри нагревательной колбы во время протекания через нагревательный элемент. Температура воды в водопроводной сети может колебаться в течение года +3°C до +20°C, поэтому для получения оптимальной температуры воды зимой проток следует делать меньше, чем летом.
7. Для выключения водонагревателя можно закрыть проток воды на входе или на выходе из прибора, электронный датчик протока автоматически разомкнёт цепь подачи электроэнергии к нагревательному элементу, при этом погаснет индикатор нагрева 2 на панели управления (см. рис. 15), а индикатор питания 1 будет моргать. Для последующего включения нагрева достаточно вновь открыть кран подачи или выхода воды.



ВНИМАНИЕ!

Не включайте водонагреватель, если существует подозрение, что вода в нем замерзла.

8. Термовыключатель прекратит подачу энергии к нагревательному элементу при перегреве воды в водонагревателе. Если водонагреватель включен в сеть и включен нагрев воды, но нагревание воды не происходит, значит отключился или не был включен термовыключатель. Для возврата водонагревателя в рабочее состояние нужно включить кнопку на термовыключателе. Для этого нужно проделать следующее:
 - Отключить питание от электронагревателя, снять лицевую панель, нажать до щелчка черную кнопку, расположенную по центру



ВНИМАНИЕ!

Если данные действия не дали положительного результата или отключение термовыключателя происходит неоднократно, в течении короткого промежутка времени, тогда следует отключить питание водонагревателя, перекрыть в водонагреватель и обратиться в Авторизованный сервисный центр Timberk в Вашем регионе для получения консультации или ремонта изделия. Адрес Авторизованного сервисного центра Вы можете узнать у продавца или на сайте www.timberk.com.

8. ОБСЛУЖИВАНИЕ

Не применяйте для чистки абразивные чистящие вещества и химические средства, не предназначенные для этого.

а) Внешний уход:

- Отключите прибор от сети электропитания и дайте ему возможность полностью остыть.
- Очистите внешнюю поверхность корпуса прибора с помощью слегка влажной мягкой тряпочки, а затем протрите насухо. Не используйте для чистки абразивные чистящие средства.

б) Чистка фильтра:

Если скорость подачи воды из нагревателя уменьшилась, необходимо очистить фильтр грубой очистки, установленный на входе холодной воды в водонагреватель. Для этого необходимо:

- Отключить прибор от сети электропитания и дать ему возможность полностью остыть.
- Перекрыть подачу холодной воды.
- Открутить шланг подачи холодной воды от водонагревателя, вынуть сетчатый фильтр грубой очистки и промыть его под струей проточной воды.
- Восстановить соединительную подводку в обратной последовательности.

9. УСТРАНЕНИЕ НЕИСПРАВНОСТЕЙ

Возможные неисправности и методы их устранения приведены в Таблице 4.
Таблица 4

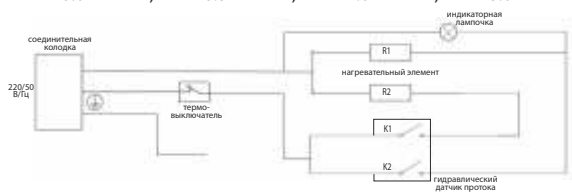
Проблема	Возможные причины	Способы устранения
При включении питания индикатор питания не загорается.	1. Отсутствует электропитание. 2. Сработало или не было включено устройство ограничения температуры - термовыключатель. 3. Неисправна печатная плата. 4. Утечка тока.	1. Проверьте, не отключено ли электропитание. 2. Включите термовыключатель. 3. Обратитесь к специалисту по ремонту в сервисный центр Timberk.
Индикаторная лампочка нагрева не горит, вода не греется.	1. Недостаточный проток воды. 2. Сработало устройство ограничения температуры. 3. Слишком маленькое давление воды в водопроводной системе.	1. Увеличьте проток воды. 2. Подождите, пока ограничитель температуры остынет и включится (для серии Watermaster I). 3. Включите термовыключатель (для серии Watermaster II/III). 4. Подождите, когда восстановится нормальное давление воды в системе.
Из крана выхода горячей воды не идет вода.	1. Отключена подача воды. 2. Не открыт впускной кран холодной воды.	1. Подождите восстановления подачи воды в водопроводной системе. 2. Откройте впускной кран холодной воды.
Утечка воды.	Проблема с герметичностью соединения.	Восстановите герметичность соединения.
Температура воды на выходе из нагревателя иногда горячая, иногда холодная.	1. Нестабильное давление воды. 2. Температура воды на выходе из нагревателя слишком велика, снова и снова срабатывает защита от перегрева.	1. Используйте водонагреватель, как только стабилизируется давление воды. 2. Уменьшите мощность нагрева, увеличьте проток воды.
При закрытом кране входа воды индикатор нагрева продолжает гореть.	Неполадка датчика протока воды.	Обратитесь к специалисту по ремонту в сервисный центр Timberk.

10. ПРИНЦИПИАЛЬНАЯ ЭЛЕКТРИЧЕСКАЯ СХЕМА

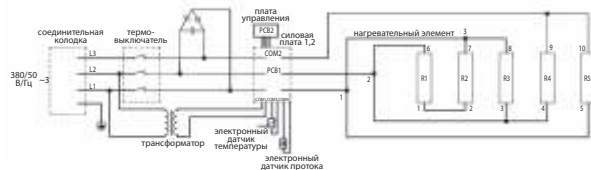
Серия WATERMASTER I. Модели водонагревателей WHE 3.5 XTR H1, WHE 4.5 XTR H1, WHE 5.5 XTR H1.



Серия WATERMASTER II. Модели водонагревателей WHE 5.0 XTN Z1, WHE 6.0 XTN Z1, WHE 6.5 XTN Z1, WHE 7.0 XTN Z1, WHE 8.0 XTN Z1.



Серия WATERMASTER III. Модели водонагревателей WHE 12.0 XTL C1, WHE 18.0 XTL C1, WHE 21.0 XTL C1, WHE 24.0 XTL C1.



11. УТИЛИЗАЦИЯ

По окончании срока службы водонагреватель следует утилизировать. Подробную информацию по утилизации водонагревателя Вы можете получить у представителя местного органа власти. Срок службы прибора - 5 лет.

12. ИНФОРМАЦИЯ О СЕРТИФИКАЦИИ

Изделие соответствует директиве ЕЕС 89/336, касающейся электромагнитного оборудования

Гарантируется безотказная работа изделия в соответствии со сроками, указанными в гарантийном талоне. Обязательно ознакомьтесь с условиями гарантии и требуйте от продавца правильного и четкого заполнения гарантийного талона.

Гарантийный талон вложен в упаковку изделия

Timberk снимает с себя любую ответственность за возможный вред, прямо или косвенно нанесенный продукцией Timberk людям, домашним животным, имуществу в случае, если это произошло в результате несоблюдения правил и условий эксплуатации, установки изделия, умышленных или неосторожных действий потребителя или третьих лиц.

Товар сертифицирован на территории России органом по сертификации: рег. № РОСС RU.0001.11AB71 ПРОДУКЦИИ ООО «ОПТИМАТЕСТ».

Фактический адрес: 123308, г. Москва, ул. Мневники, д. 3, корп. 1, оф. 323; Юридический адрес: 115162, г. Москва, Павла Андреева ул., дом №28, корпус 4, тел. +7 495 6044266, факс +7 495 6044266

Орган по сертификации может обновляться ежегодно. При отсутствии копии нового сертификата в коробке, спрашивайте копию у продавца

Товар соответствует требованиям нормативных документов:

ГОСТ Р МЭК 60335-2-35-2000

ГОСТ Р 51318.14.1-2006 p.4

ГОСТ Р 51318.14.2-2006 p.5,7

ГОСТ Р 51317.3.3-2008

ГОСТ Р 51317.3.2-2006 p.6,7

№ сертификата: RU C-IL.AB71.B.00051

Сертификат обновляется ежегодно. При отсутствии копии нового сертификата в коробке, спрашивайте копию у продавца

Срок действия: с 09.02.2012 до 08.02.2015

Изготовитель:

«Тимберк Хоум Хиатинг Эпплаенсис Компани» Хамастер стрит, 10, Эйлат, Израиль 88000

Телефон/факс +972-8-637-88-311

Импортер*:

ООО «КлиматКомфорт»

Адрес: РФ, 111024, г. Москва, ул. 5-я Кабельная, д.2Б, стр. 1

телефон: +7 499 653 7356

По вопросам сервисной поддержки и качества приобретенного товара просьба обращаться по телефону:

+ 7 (495) 6275285

* Данные могут быть изменены в связи со сменой производителя, продавца, производственного филиала и/или импортера в РФ или страны ЕТС. Актуальную информацию Вы можете получить из содержания действующего на момент продажи сертификата соответствия, а также из данных этикетки, которой маркируется упаковка изделия до даты последующей продажи дистрибьютором на территории РФ или стран ЕТС.



RU

**Руководство по эксплуатации
техники Timberk написано
на английском языке и
переведено на русский язык.**



BY

В целях информирования покупателей техники Timberk, мы дополнительно сообщаем, что русский является государственным языком в следующих государствах:

- в Российской Федерации
- в Республике Беларусь наряду с белорусским языком
- в частично признанной Южной Осетии наряду с осетинским языком



OS



KZ

Русский язык является официальным языком (во всех случаях другой язык или другие языки выступают как государственный или второй официальный) в следующих государствах и на территориях:



AK



KG

- в Республике Казахстан
- в Киргизской Республике
- в административных единицах Украины, где доля носителей русского языка составляет более 10%, при соответствующем решении местных советов
- в Автономной Республике Крым



UA



TJ

В Республике Таджикистан русский язык признан по Конституции языком межнационального общения.



CIS

Официальным языком международной организации Содружество Независимых Государств (СНГ) является русский язык.

www.btpart.ru



Все расходные материалы для продукции Timberk вы можете приобрести на сайте www.btpart.ru

Уважаемый покупатель!

Timberk предоставляет Вам специальный сервис в рамках программы клиентской поддержки. Теперь Вы всегда сможете заказать и оформить доставку на запасные части и расходные материалы, необходимые для оптимальной, качественной работы техники Timberk в течение всего срока службы на едином портале www.btpart.ru.

Всю информацию о работе портала Вы также всегда сможете увидеть на сайте www.timberk.com. Мы искренне надеемся, что этот уникальный дополнительный сервис поможет вам сделать жизнь с Timberk еще удобнее!



timberk

www.timberk.com

