






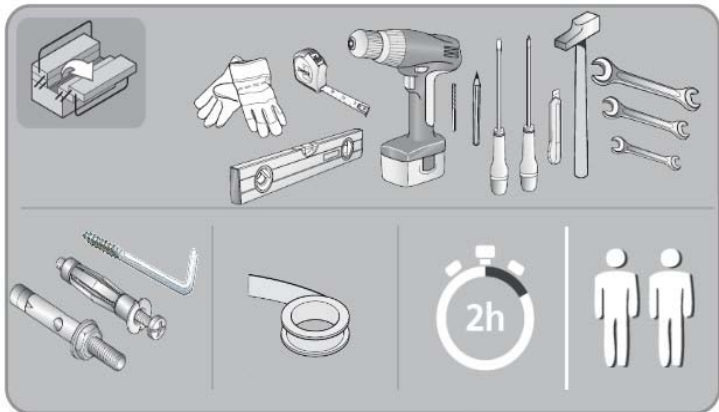
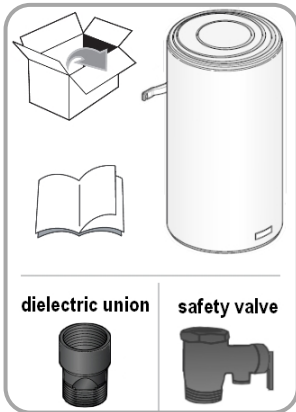
EN	ELECTRIC WATER HEATER Glass-lined steel tank
RU	*** ...
UA	*** ...
PL	*** ...
ET	*** ...



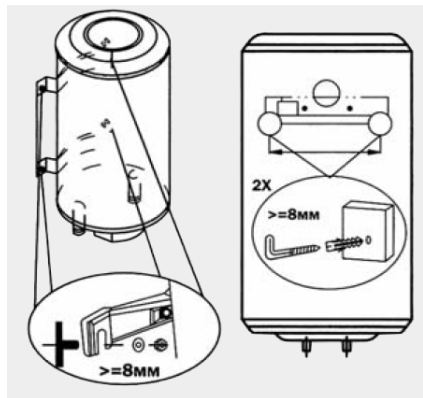
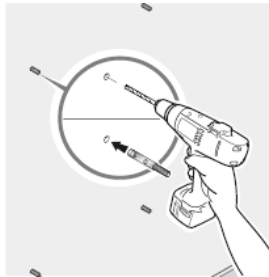
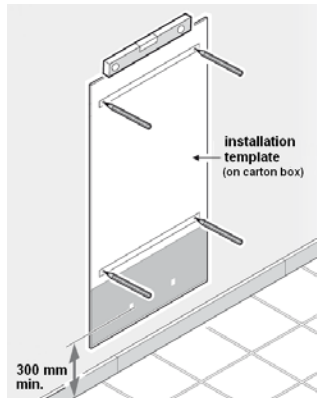
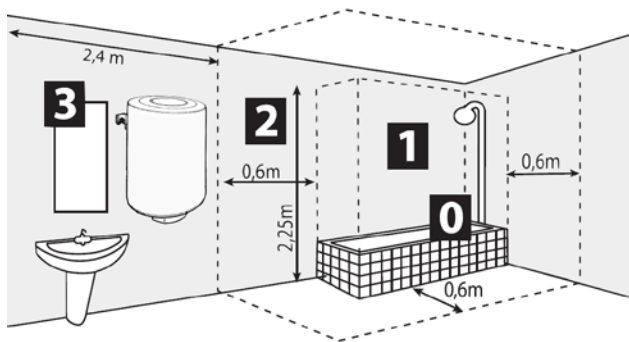


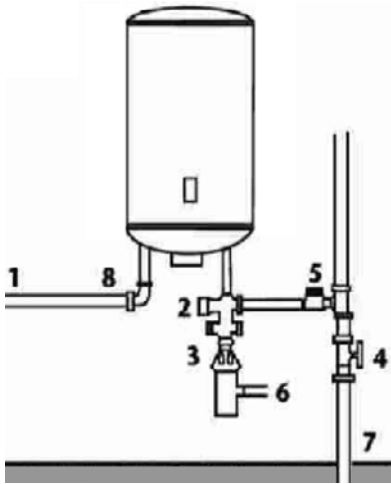
N°:/...../20....

Model	Power output (W) (Bt)	Voltage (V) (B)	kWh/24hr			 230
VM 50	2000	230	0.95	p. 2	p. 3	p. 4
VM 80	2000	230	1.35	p. 2	p. 3	p. 4
VM 100	2000	230	1.70	p. 2	p. 3	p. 4



1





EN

1. Hot water tube
2. Safety relief valve
3. Funnel
4. Pressure reducer recommended if pressure > 5 bar (0,5 MPa)
5. Stop valve
6. Drain to sewage
7. Cold water pipe
8. Dielectric union

RU

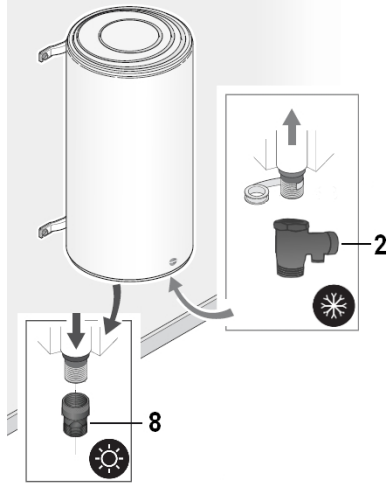
- 1.
- 2.
- 3.
- 4.
- 5.
- 6.
- 7.
- 8.

UA

- 1.
- 2.
- 3.
- 4.
- 5.
- 6.
- 7.
- 8.

PL

- 1.
- 2.
- 3.
- 4.
- 5.
- 6.
- 7.
- 8.



ET

- 1.
- 2.
- 3.
- 4.
- 5.
- 6.
- 7.
- 8.

...

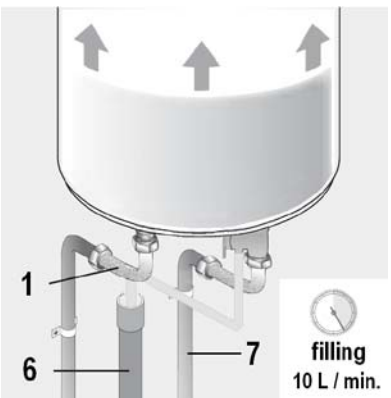
- 1.
- 2.
- 3.
- 4.
- 5.
- 6.
- 7.
- 8.

...

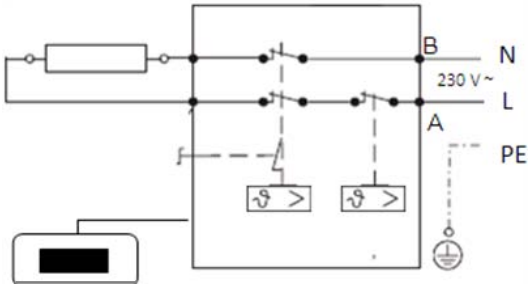
- 1.
- 2.
- 3.
- 4.
- 5.
- 6.
- 7.
- 8.

...

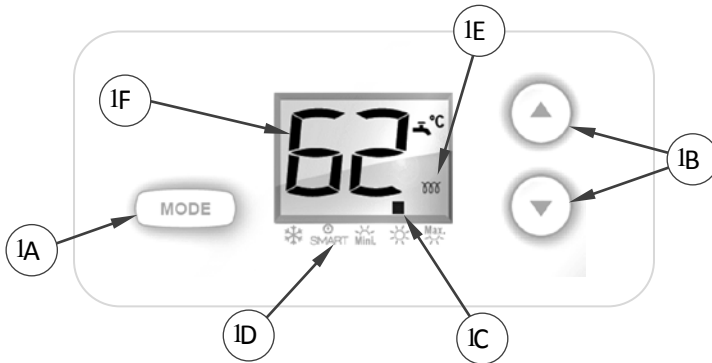
- 1.
- 2.
- 3.
- 4.
- 5.
- 6.
- 7.
- 8.



3

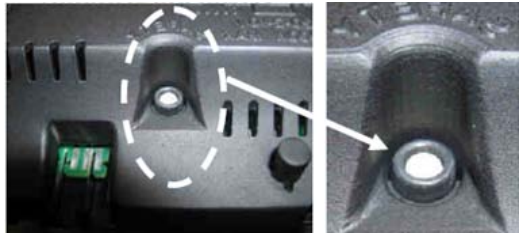


4

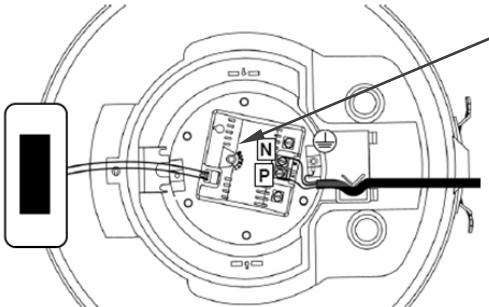
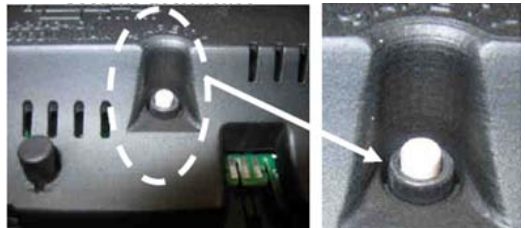


5

Safety OFF / Кнопка теплового захисту повинна
бути натиснута



Safety ON / Кнопка теплового захисту
спрацювала



This device is not intended for use by persons (including children) with physical, sensory or mental disability, or by persons lacking experience or knowledge, unless they have received from a person in charge of their safety adequate supervision or preliminary instructions on how to use the device. Children should be supervised to ensure that they do not play with the appliance. This unit can be used by children of not less than 8 years and people with reduced physical, sensory or mental capabilities or without experience or knowledge if they are properly supervised or if the instructions for using the device safely have been given and if the risks are taking into account. Children must not play with the device. Cleaning and maintenance must not be done by children without supervision.

CAUTION! Heavy item, handle with care:

1. Install the appliance in a room which is protected from frost. If the appliance is damaged because the safety device has been blocked, it is not covered by guarantee,
2. Make sure that the wall on which the appliance is mounted can support the weight of the appliance when filled with water,
3. If the appliance is to be fitted in a room or location where the ambient temperature is higher than 35°C, provide sufficient ventilation,
4. When installed in a bathroom, do not install the appliance in volumes V0 and V1 (See fig. ①, p.2). If the water heater is to install above living space, fit a retaining tank with drain to the sewer system. Place the water heater in a place with easy access,
5. If PER pipes are used, the installation of a thermostatic regulator on the output pipe of the device is strongly recommended. It will be set according to the performance of the material used.
6. Installation of a vertical or horizontal wall mounted device: To allow the replacement of the heating element leave a free space of 300mm between the tube ends and the wall or fixed furniture.
7. Switch off the power before removing the cover, to avoid any risk of injury or electric shock.
8. The installation must be equipped, upstream of the appliance, with a bipolar cut-out device (fuse, breaker switch) respecting local regulations (30 mA earth-leakage breaker).
9. If the supply cord is damaged, it must be replaced by a special cord or assembly available from the manufacturer or the after sales service.
10. Mandatory installation of a safety device in a frost free location (or any other new device which limits the tank pressure) to 7 or 9 bar (0.7 or 0.9 MPa) according to the nominal pressure, with a size of 1/2" in the input of the water heater, respecting the local regulations
11. Operate regularly the discharge of safety device to prevent scaling and check that it is not blocked.
12. Hydraulic accessories should not be located between the safety valve and the cold water inlet. A pressure reducer (not supplied) is required when the water supply pressure exceeds 5 bar (0,5 MPa) and will be fitted on the main supply.
13. Connect the safety device to an unpressurised outlet pipe in a frost free location, with a continuous slope to evacuate water during heating up or draining the water heater.
14. The pipes used must support 10 bars (1 MPa) and 100 ° C.
15. To drain the device: Switch off the power and the supply of cold water, open the hot water faucets and manipulate the safety valve. To drain under sink water heater disconnect the hydraulic connections and return the device.
16. The products described in this manual are subject to changes at any time to be in accordance with technology and standards. The devices comply with electromagnetic directives 2004/108/EC and Low Voltage 2006/95/EC.
17. Do not dispose your water heater in the garbage, but hand it to a place assigned for this purpose (collection point) where it can be recycled.



1. PRODUCT FIXATION

See "General Warnings" N°.1 to N°.6



For product installation, refer to drawings section 1 page.2.

2. HYDRAULIC CONNECTION

See "General Warnings" N°.10 to N°.14




For hydraulic connection, refer to drawings section 2 page 3.

- It is necessary to clean the supply piping prior to the hydraulic connection. The connection to the hot water outlet is to be carried out with a cast iron or steel sleeve or a dielectric connector, to avoid corrosion of the pipe (direct contact iron / copper). The use of brass fittings is prohibited.
- Always install a new safety device on the cold water pipe of the water heater, which comply with the standards (EN 1487 in Europe), with a pressure of 7 or 9 bars (0.7 or 0.9 MPa) according to the nominal pressure, with diameter 1/2".
- **CAUTION:** Do not use the safety valve included in this packaging in France (home country and French overseas)

3. ELECTRICAL CONNECTION



For electrical connection, refer to drawings section 3 page 4.

- The water heater can be connected and operated only on AC 230V. Connect the heater with a rigid cable with conductors 2,5mm². Use a standardised channeling (rigid or flexible conduit) until the calibrated housing cover.
- Directly connect devices with a cable or plug. In France, a product with plug is strictly prohibited and cannot be sold and installed.
- Always connect the earth conductor of the cable to the earth ground wire or connect the earth conductor to the appropriate terminal identified by the symbol . This connection is compulsory for safety reasons. The earth wire green - yellow must be longer than those of phases. The installation must be equipped, upstream of the appliance, with a bipolar cut-out device (minimum contact distance of 3 mm fuse, breaker switch). In the case where hydraulic connexions are in insulated material, electrical circuits shall be protected by a differential circuit breaker 30 mA adapted to local standards.



Thermal circuit breaker (refer to drawings section 5 page 4): All our products are equipped with a thermostat with thermal circuit breaker and manual resetting which cuts off the power supply to the water heater in case of overheating. If the safety trips:

- ➔ switch off the power before taking any further action,
- ➔ remove the cover,
- ➔ check the electrical connections,
- ➔ reset the thermal circuit breaker

If the circuit breaker keeps tripping, replace the thermostat. Never short circuit the safety cut out or the thermostat. Connect the power supply only via the terminal.


- **CAUTION:** NEVER POWER THE WATER HEATER WITHOUT WATER: Models with an electric heating element will be certainly damaged.
- Fill the tank completely. Before powering up, open the hot water taps, drain the pipes in order to empty the air.
- Check the tightness of the tubes and of the flange seal under the plastic cover. In case of leaking tighten moderately. Check the operating of the hydraulic components and of the safety valve.
- Turn the power on. After 15 to 30 minutes, depending of the capacity of the device, the water should drip from the drain. This is normal and due to the expansion of water. Check connection leaks and seal. During heating and according to the water quality, hot water tanks can make a bubbling noise. This noise is normal and does not indicate any defect of the unit.





The water heater features a digital screen that allows to choose the running mode (see drawing section 4 page 4).


- 1/ MODE selection key (Ref. A): Enables to choose the running mode. Press twice to change the mode.
- 2/ Setting arrows keys (Ref. B): In the selected modes, these keys allow to increase or decrease the setpoint temperature (steps of 1°C).
- 3/ Indicator of operating mode (Ref. C): Shows the current running mode of the product.
- 4/ Operating modes (Ref. D)

FROST FREE Mode ❄️: Automatic regulation at frost-free temperature (7°C), in order to reduce the electric consumption during the periods of absence of the user.

SMART Mode : Fully automatic operation of the water heater: after a learning period, the product will adjust automatically the hot water temperature adapted to the user consumption. This allows lowering of the electrical consumption.


MINI Mode : User selects a hot water temperature between 45°C and 50°C (default value of 50°C).




CONFORT Mode : User selects a hot water temperature between 50°C and 65°C (default value of 65°C). Warning: this operating mode might increase the electrical consumption of the product.

MAX Mode : User selects a hot water temperature between 65°C and 75°C (default value of 70°C). Warning: this operating mode increases the electrical consumption and scaling. Using hot water with high temperature may cause burns. It is strongly recommended to take all the necessary precaution to use this operating mode.

- 5/ Temperature display (Ref. F):

In FROST FREE Mode ❄️ it indicates the temperature setpoint of 7°C automatically fixed by the product.

In SMART Mode , the displayed value is the temperature setpoint automatically analysed and fixed by the product. When a large quantity of hot water is used, the displayed temperature is the one measured close to the bottom side of the product (30cm for a 50L product, 40cm for 80L and 100L). That means the remaining quantity of hot water is limited (10L of hot water remaining for a 50L product, 30L remaining for a 80L product and 50L remaining for a 100L product).

In MINI , CONFORT  and MAX  modes, it shows the temperature of water inside the tank. When pushing the setting keys (Ref. B), the screen displays during a few seconds the setpoint temperature chosen by the user before displaying again the water temperature inside the product.

- 6/ Heating indicator (Ref. E): Shows when the water is under heating. NOTA: if the indicator is on continuously, that means the product is under heating. It doesn't reveal a bad running of the product.

When a malfunction occurs, the user interface of the appliance will display an error code. The table below describes the different errors that can be detected:

Code	Fault	Concerned element	Actions
E1	Probe fault	Thermostat	Unplug and plug the power supply If the problem is not resolved, contact your installer or dealer
E2	No heating	Thermostat Hot water circuit Heating element	1. Check that there are no problems on the hot water circuit (open tap, burst pipe...) If a leak is found, solve the problem, disconnect and reconnect the power supply to the unit and check that the default does not reappear during the first heating. 2. Check that the circuit breaker is not tripped thermal → Disconnect power supply → open the cover of the device → check the thermostat If the circuit breaker has tripped → reset it by pressing the button SAFETY on the thermostat → close the cover of the device → reconnect the power supply and check that the default does not reappear in the first heating. If the default reappears, contact your installer or dealer (service code: ERR9). 3/ None of the previous two cases Contact your installer or dealer (service code: ERR0)
E3	Over heating	Thermostat	Check that the circuit breaker is not tripped thermal → Disconnect power supply → open the cover of the device → check the thermostat If the circuit breaker has tripped → reset it by pressing the button SAFETY on the thermostat → close the cover of the device → reconnect the power supply and check that the default does not reappear in the first heating. If the default reappears, contact your installer or dealer (service code: ERR9). If the circuit breaker is not tripped, contact your installer or dealer (service code: ERR9)
E4	Dry heating	Cold circuit water	1/ Check that the cold water supply is operational 2/ Open hot water taps and see the water flow. If the flow is not immediate, wait lines are purged of air → If the flow of the hot water circuit is sufficient → disconnect and reconnect the power supply to the unit and check that the default does not reappear. If the default reappears, contact your installer or dealer (service code: Err7). → If the flow of hot water is absent, contact a qualified professional to intervene in the cold water supply of the unit.

CAUTION: Before removing the plastic cover, make sure the power is turned off to avoid any risk of injury or electric shock.

1. USER MAINTENANCE

Operates once a month the discharge of the safety valve to prevent scaling deposit and verify that the safety device is not blocked. If this is not done, damage may be caused and the guarantee invalidated. For an installation with a booster pump; before starting up, after a long period of disuse, turn the rotor following the advice in the manufacturer's instructions.

2. MAINTENANCE BY A QUALIFIED PERSON

- Scaling: Remove the scale sludge. Do not scrape or hammer the lime scale deposited on the casing, as this may damage the lining.
- Magnesium anode: change the magnesium anode every 2 years or when its diameter is lower than 10 mm.
- Heating element: the replacement of a sheathed heating element involves draining of the water heater and replacement of the flange gasket. Reassemble the heating element, reasonably tight nuts (cross tightening), check that there is no leakage after the first heating-up, tighten again if necessary
- Drain: Turn off power and cold water supply. Open hot water taps and drain valve of the safety device.

Spare parts list: thermostat, flange gasket, heating element, heating light indicator, magnesium anode, connection wires, electric switch. **The guarantee requires genuine manufacturer's parts to be used.**

Advice to the user

- ➔ When the water has a TH > 20°f, it is recommended that this be treated. When a softener is used, the water hardness must remain above 15°f.
- ➔ In case of prolonged absence, especially in winter, drain your appliance following the procedure.

The water heater must be installed, used and maintained according to best practice and conform to the standards in force in the country in which it is installed and to the instructions contained in this document. In the European Union this appliance is covered by the statutory guarantee accorded to consumers in accordance with directive 1999/44/CE. This guarantee comes into force when the appliance is delivered to the consumer. In addition to the legal guarantee, certain items are covered by an extra guarantee relating only to the free exchange of the tank and of components accepted as defective. It does not include the cost of replacement or carriage. Refer to the table below. This commercial guarantee does not affect your statutory rights. It applies within the country where the product was acquired, provided it is also installed in the same country. The dealer must be informed of any damage before the product is exchanged under guarantee and the appliance will remain available for inspection by experts from the insurance company and the manufacturer.

Statutory guarantee	2 years
Extra commercial guarantee on tanks	+3 years

To claim under guarantee, contact your installer or dealer. If necessary, contact:

Spain: Pol.Industrial Cami Ral – Calle Molinot 59-62 – 08860 – Castelldefels (Barcelona) Tél : 902 45 45 66

Portugal: Pol.Industrial Cami Ral – Calle Molinot 59-62 – 08860 – Castelldefels (Barcelona)

Italia : 848 800 929 (al solo costo di uno chiamata a tariffa urbana)

Polska : ul. Plochocińska 115 , 03-044 Warszawa tel (0800)-548-098

Other countries: +33 23 87 13 846

who will inform you of what you should do. The guarantee applies only to examine products which are accepted as faulty by the company underwriting the guarantee. It is essential that products should be retained for inspection by them.

Exclusions: Wear parts: magnesium anodes. Equipment which cannot be assessed (access difficult for repair, maintenance or assessment). Equipment exposed to abnormal environmental conditions: frost, bad weather, water which is abnormally aggressive or outside drinking standards, electrical supply with large spikes. Equipment installed without observing current standards in the country of installation: the absence or incorrect fitting of safety devices, abnormal corrosion due to incorrect water fitments (iron/copper contact), incorrect earthing, inadequate cable thickness, non-observance of the connection drawings shown in these instructions. Equipment not maintained in accordance with these instructions. Repairs or replacement of parts or components in the equipment not carried out or authorised by the company responsible for the guarantee. Changing a component does not extend the life of the guarantee.

The products illustrated in these instructions may be modified at any time to reflect changes in manufacture and current norms.

Водонагрівач не призначений для використання особами (включаючи дітей) з обмеженими фізичними, сенсорними чи розумовими здібностями, або особами без досвіду чи технічних знань, без нагляду чи попереднього інструктажу з використання водонагрівача від особи, відповідальної за їх безпеку. Стежте, щоб діти не гралися з водонагрівачем. Водонагрівач можуть використовувати діти починаючи з 8 річного віку, а також особи з обмеженими фізичними, сенсорними або розумовими можливостями чи особи без досвіду або технічних знань, але тільки під відповідним наглядом чи за умови, що вони були проінструктовані з безпечного використання водонагрівача, та усі можливі ризики їм було роз'яснено. Чистку та обслуговування водонагрівача мають здійснювати фахівці авторизованого сервісного центру. **Важлива примітка:** установка водонагрівача має відповідати діючим нормам держави, в якій встановлюється водонагрівач. У разі, якщо ви не впевнені, що ваших знань достатньо для встановлення водонагрівача, ми рекомендуємо звернутися до фахівця.

УВАГА: водонагрівач має значну вагу, поводьтеся з ним обережно.

1. Встановлюйте водонагрівач у приміщенні, де виключене його замерзання.
2. При руйнуванні водонагрівача внаслідок надлишкового тиску, що спричинений замерзанням, блокуванням запобіжного клапану відкладеннями води, не встановленням оригінального запобіжного клапану водонагрівач не підлягає гарантійному обслуговуванню.
3. Переконайтеся в тому, що стіна витримає вагу приладу, наповненого водою.
4. Якщо водонагрівач встановлюється у приміщенні або місці, де температура навколишнього середовища постійно вища за 35°C, необхідно передбачити можливість його провітрювання.
5. У ванних кімнатах не встановлюйте водонагрівач у зонах V0 та V1 (див. рис. 1 стор.2). Якщо водонагрівач встановлюється над житловими приміщеннями, необхідно передбачити водозбірну ємність зі стоком у каналізацію.
6. Розташуйте водонагрівач у легкодоступному місці поблизу каналізаційних зливів для зручності роботи фахівців сервісних центрів.
7. Установка вертикальна настінна.
8. Максимальна температура нагрівання води 65 +/- 5°C
9. Перш ніж зняти кришку, переконайтеся, що живлення вимкнене, щоб уникнути ризику травмування або удару струмом.
10. Для злива води з водонагрівача необхідно: відключити водонагрівач від електромережі; відкрити кран гарячої води у місці споживання; перекрити запірну арматуру на вході у водонагрівач; встановити тригер запобіжного клапана в горизонтальне положення.
11. У водонагрівачі, описані в цій інструкції, можуть бути внесені зміни у будь який час, щоб вони залишалися відповідними до нових технологій та стандартів.
12. Електроводонагрівач має сертифікат відповідності УКР СЕПРО № та відповідає вимогам ДСТУ
13. Не викидайте цей прилад із загальним сміттям, він має бути зданий до спеціалізованого пункту для переробки. Шановні покупці! З питань гарантійного, сервісного та післягарантійного обслуговування на території України звертайтеся за тел.: 0-800-500-885. З актуальним переліком сервісних центрів та розгорнутою інформацією з експлуатації можна ознайомитися на сайті <http://atlanticservice.com.ua>

1. ФІКСАЦІЇ



див. рис. 1 стор. 1 р.2.

- Кріплення водонагрівача повинне забезпечити щільне прилягання кріпильного кронштейна до вертикальної поверхні.
- Відстань від кришки блока автоматики до підлоги або іншої горизонтальної поверхні (при горизонтальному монтажі - до вертикальної поверхні) повинна бути не менш ніж 450 мм та не вище 2,0 м, щоб забезпечити доступ до блока автоматики. Це необхідна умова безкоштовного гарантійного обслуговування водонагрівача. Роботи з демонтажу і монтажу ТЕНа і терморегулятора у випадках зменшення або збільшення зазначених розмірів оплачуються окремо.

2. ПІДКЛЮЧЕННЯ ДО СИСТЕМИ ВОДОПОСТАЧАННЯ



див. рис. 1 стор. 2 р.3.

Підключення водонагрівача до трубопроводів холодного і гарячого водопостачання необхідно виконувати пластиковими або металопластиковими трубами.

Заборонено підключати водонагрівач на гнучкі шланги у зв'язку з тим, що вони руйнуються від перепадів температури, недовговічні і можуть вийти з ладу (дати течу, лопнути).

Приєднувані до водонагрівача труби і з'єднання повинні витримувати тиск не менше 8 бар і температуру не нижче 100°C.

Перед підключенням необхідно ретельно прочистити труби водопостачання.

При наявності в комплекті діелектричної муфти вона встановлюється на патрубок гарячої води.

- Встановіть на патрубок подачі холодної води водонагрівача запобіжний клапан, що входить до комплекту поставки, закрутивши його не більш ніж на 3-4 оберти. Зливний отвір клапану повинен бути спрямований чітко вниз.

Між запобіжним клапаном та патрубком холодної води не повинно бути ніяких запірних пристроїв.

Запобіжний клапан і дренажна трубка повинні бути захищені від морозу.


Увага! При використанні клапану, що не входить до комплекту поставки, водонагрівач не підлягає гарантійному обслуговуванню.


- На зливний отвір запобіжного клапана встановіть дренажну трубку (у комплект постачання не входить), для відведення води у випадку автоматичного скидання надлишкового тиску у робочому баку.
- Виміряйте тиск у стояку холодного водопостачання, при тиску більше 4 бар встановіть редуктор тиску для зниження тиску;
- На трубопровід холодного водопостачання встановіть фільтр грубого очищення (у комплект постачання не входить), щоб запобігти потраплянню механічних домішок у запобіжний клапан
- Запобіжний клапан конструктивно поєднує в собі зворотний і стравлюючий клапани. Зворотний клапан виключає витікання води з бака у стояк за відсутності холодної води у водопроводі. Під час нагрівання відбувається розширення води, що призводить до збільшення тиску в баку. При перевищенні тиску води в робочому баку понад 8 бар, можливе або скидання невеликої кількості води через зливний отвір стравлюючого клапану, або стравлювання надлишкового тиску крізь зворотний клапан у стояк холодного водопостачання. Це є нормальним режимом роботи запобіжного клапану.

3. ПІДКЛЮЧЕННЯ ДО ЕЛЕКТРОМЕРЕЖІ



див. рис. 3 р.4.

- Корпус водонагрівача повинен бути заземлений, для чого одна жила кабелю підключається до клемми, позначеної знаком  !
- Водонагрівач повинен живитися тільки від мережі однофазного змінного струму 230 В.
- Підключення водонагрівача до електромережі повинно виконуватися трижильним мідним кабелем з перетином 2,5 мм² (фаза, нуль, заземлення).
- Кабель підключається до щитка електроживлення квартири, щоб не перевантажувати існуючу проводку.
- Переконайтеся, що шнур живлення не пошкоджений. Якщо шнур живлення пошкоджений, він повинен бути замінений на спеціальний шнур, який є в наявності в сервісному центрі.
- Електричне підключення має проводитись з використанням автоматичного вимикача з характеристиками, відповідними до потужності водонагрівача – 16 А для потужності 2000 Вт.
- У тому випадку, якщо водяні труби виготовлені з ізолюючого матеріалу, електричні ланцюги повинні бути захищені диференціальним переривником 30 мА, відповідним до чинних норм.

Увага! Перед початком експлуатації переконайтеся, що між корпусом водонагрівача (клемма ) та нульовим дротом на клемі терморегулятора відсутня перемінна напруга. Наявність між ними напруги може привести до виходу з ладу внутрішнього бака водонагрівача. У цьому випадку ремонт сплачує споживач.

- Заповніть водонагрівач водою, для чого: переконайтесь у тому, що закрита запірна арматура на стояку гарячого водопостачання; відкрийте запірну арматуру на стояку холодного водопостачання; відкрийте кран гарячої води на змішувачі в точці споживання; водонагрівач буде заповнений, коли з крана гарячої води почне витікати вода; закрийте кран гарячої води.
- Огляньте місце підключення водонагрівача до системи водопостачання и переконайтесь у відсутності протікання води.
- Увімкніть автоматичний вимикач.

УВАГА: Ніколи не включаєте водонагрівач без води. На моделях, оснащених електричною спіраллю, це автоматично призведе до її виходу з ладу.

- Встановіть бажану температуру нагріву на панелі керування (див. п. 5)
- Через 15-30 хвилин, в залежності від об'єму приладу, вода може почати капати зливної отвору запобіжного клапана. Це природне явище, викликане розширенням води.

Під час нагрівання і в залежності від якості води водонагрівачі з занурювальним нагрівальним елементом можуть видавати звук кипіння; цей звук є нормальним і не свідчить про будь-яку несправності приладу. Заводське регулювання термостата проведене на максимальну температуру 65+/-5 0C.

Щоб уникнути розвитку бактерій (легіонелла та ін.), нагрівайте воду не менше одного разу на день до 60 0C.

УВАГА: Якщо ви помітите постійне виділення пари або киплячої води через злив або через отвір водозабірної крана, необхідно відключити електроживлення водонагрівача і звернутися до фахівця.


У процесі експлуатації водонагрівача можливе спрацьовування теплового захисту в терморегуляторі внаслідок перепадів напруги в електромережі або перегріву ТЕНа, викликаного значним утворенням накипу на ньому. Спрацьовування теплового захисту не вважається несправністю та не підлягає усуненню по гарантії. Відновлення роботи водонагрівача здійснюється споживачем самостійно, для чого необхідно: відключити водонагрівач від електромережі; викрутити кріпильний шуруп захисної кришки; зняти захисну кришку; натиснути на кнопку теплового захисту, яка розташована в корпусі терморегулятора. Після відновлення роботи терморегулятора встановіть на місце захисну кришку та увімкніть водонагрівач. Постійне вмикання кнопки теплового захисту може призвести до виходу з ладу терморегулятора.





Прилад оснащений панеллю керування, що дозволяє вибирати режим роботи. (див. рис. 4 р. 4).


- 1/ Кнопка MODE (A): Дозволяє вибирати режим роботи. Для зміни режиму натисніть на кнопку 2 рази.
- 2/ Кнопки завдання величини температури нагріву (B): в рамках відповідного режиму дозволяють збільшити або зменшити задану температуру (з кроком в 1 ° C).
- 3/ Індикатор режиму роботи: показує, в якому режимі працює прилад (C).
- 4/ Режими роботи (D):

Режим HORS GEL ❄️ : Автоматична настройка на температуру від замерзання (7°C), дозволяє максимально скоротити споживання електроенергії на час відсутності користувача.


Режим SMART  : Повністю автоматична робота водонагрівача: після «навчання» протягом певного періоду прилад буде самостійно настроюватися на температуру гарячої води, яка відповідатиме потребам користувача, що оптимізує споживання електроенергії.


Режим MINI  : Вибір температури гарячої води у межах 45°C - 50°C (значення за замовчуванням: 50°C).




Режим CONFORT  : Вибір температури гарячої води у межах 50°C - 65°C (значення за замовчуванням: 65°C). Увага: цей режим роботи може підвищити споживання електроенергії водонагрівачем.

Режим MAX  : Вибір температури гарячої води у межах 65°C - 75°C (значення за замовчуванням: 70°C). Цей режим підвищує споживання електроенергії та відкладення накипу. Використання води при високій температурі може призвести до опіків, тому настійно рекомендуємо використовувати цей режим тільки з обережністю.

5/ Температура (F):

в режимі **HORS GEL**  , показує температуру 7°C, яку автоматично виставляє водонагрівач.

У режимі **SMART**  , вказується температура, що автоматично визначається та виставляється водонагрівачем. При відборі великої кількості води, відображується температура, що вимірюється на невеликій відстані від днища бака (30 см на приладах ємністю 50 л, 40 см на 80 л та 100 л).

У режимах **MINI**  , **CONFORT**  та **MAX**  вказується температура води у баку приладу. При натисканні на регулюючі кнопки, дисплей кілька секунд показує температуру, встановлену користувачем, та потім – температуру води у приладі.

6/ Індикатор нагрівання (E): дозволяє побачити фази, протягом яких прилад знаходиться у стані нагрівання. ПРИМІТКА: безперервне світіння індикатора вказує на фазу нагрівання приладу, а не на будь-яку його несправність

У разі несправності приладу на дисплеї з'явиться повідомлення про помилку.

про помилку	Помилка	Локалізація	Дії
E1	Регулювальний зонд	Термостат	Вимкніть та повторно увімкніть електричне живлення приладу → Якщо несправність не усунена, зверніться до сервісного центру за тел. 0-800-500-885 → Якщо несправність усунена, прилад знову може працювати
E2	Відсутність нагрівання води у баку – Відсутність гарячої води	Термостат мережа – гарячого водопостачання нагрівальний елемент	1/ Перевірте, чи нема витіку у системі циркуляції гарячої води (відкритий кран, прорив труби, не закрита запірніа арматура на стояку гарячого водопостачання...) → Якщо виявлений витік, усунути його, вимкнути та знову увімкнути електричне живлення приладу та перевірити, чи не з'явилася проблема знову при першому нагріванні. 2/ Переконайтеся, що не спрацював тепловий захист → Вимкніть електричне живлення приладу → Відкрийте кришку приладу → Перевірте термостат → Якщо спрацювала кнопка теплового захисту, натисніть її (см. п. 4) → закрийте кришку приладу → увімкніть електричне живлення приладу та перевірте, чи не повториться помилка при першому нагріванні. Якщо помилка повториться, зверніться до сервісного центру за тел. 0-800-500-885 3/ Жоден з перерахованих вище випадків зверніться до сервісного центру за тел. 0-800-500-885
E3	Перегрів баку – Небезпека опіків	Термостат	Переконайтеся, що не спрацював тепловий захист → Вимкніть електричне живлення приладу → Відкрийте кришку приладу → Перевірте термостат → Якщо спрацювала кнопка теплового захисту, натисніть її (см. п. 4) → закрийте кришку приладу → увімкніть електричне живлення приладу та перевірте, чи не повториться помилка при першому нагріванні. Якщо помилка повториться, зверніться до сервісного центру за тел. 0-800-500-885 Якщо кнопка теплового захисту не спрацювала, зверніться до сервісного центру за тел. 0-800-500-885
E4	У водонагрівачі відсутня гаряча вода	Мережа холодно водопостачання	1/ Перевірте, чи надходить у водонагрівач холодна вода 2/ Відкрийте крани гарячої води та перевірте, чи йде з них вода. Якщо вода тече не відразу, почекайте, поки з труб вийде повітря. → Якщо витік з мережі гарячого водопостачання є достатнім → вимкніть та увімкніть повторно електричне живлення приладу та перевірте, чи не повториться помилка. Якщо помилка повториться, зверніться до сервісного центру за тел. 0-800-500-885. Якщо гаряча вода не тече, зверніться до кваліфікованого фахівця для ремонту системи холодного водопостачання.

УВАГА: Перш ніж знімати кришку водонагрівача, щоб запобігти ураженню струмом, переконайтеся у тому, що електричне живлення вимкнене.

1. ДОМАШНЄ ОБСЛУГОВУВАННЯ

Один раз на місяць необхідно приводити в дію вузол скидання тиску запобіжного клапана шляхом короткочасної установки тригера в горизонтальне положення, при цьому крізь зливний отвір повинна витікати невелика кількість води. Невиконання цієї вимоги може викликати вихід з ладу запобіжного клапану і водонагрівача. У цьому випадку водонагрівач і запобіжний клапан не підлягають гарантійному обслуговуванню.

2. ОБСЛУГОВУВАННЯ КВАЛІФІКОВАНИМ ПЕРСОНАЛОМ

Сервісне обслуговування водонагрівача

Корпус водонагрівача треба час від часу витирати вологою м'якою ганчіркою або губкою. Ні в якому разі не використовуйте абразивних чи пінуотворюючих засобів.

Водонагрівач підлягає обов'язковому сервісному обслуговуванню, яке повинні проводити кваліфіковані майстри авторизованого сервісного центру або уповноважені учасники «Клубу фахівців Atlantic», які використовують оригінальні комплектуєчі.

Сервісне обслуговування складається з:

1. Чищення внутрішнього бака водонагрівача від накипу;
2. Чищення фланця нагрівального елемента від накипу;
3. Заміни магнієвого анода;
4. Перевірки стану внутрішнього бака, ТЕНа, прокладки, фланця та електричного блока керування;
5. Перевірки стану запобіжного клапану та його чищення при необхідності;
6. Позначки в гарантійному талоні.

З питань сервісного обслуговування на території України звертатись за телефоном гарячої лінії 0-800-500-885. Сервісне обслуговування водонагрівачів здійснюється не пізніше 10 діб по закінченню 12-місячного терміну від дати купівлі водонагрівача та дати проведення останнього сервісного обслуговування.

Уникайте підробок! Оригінальні магнієві аноди містять на упаковці наклейку, яку майстер повинен вклеїти у гарантійний талон при проведенні сервісного обслуговування, як свідоцтво використання оригінального магнієвого анода. При відсутності наклейки водонагрівач не підлягає гарантійному обслуговуванню.

Увага! Роботи із сервісного обслуговування сплачує споживач згідно з діючим прейскурантом сервісного центру

3. ВКАЗІВКИ З ТЕХНІКИ БЕЗПЕКИ. ЗАБОРОНЕНО

Забороняється:

- встановлювати водонагрівач на гнучких шлангах;
- експлуатувати водонагрівач без заземлення;
- експлуатувати водонагрівач без магнієвого анода, який встановлено на фланці в середині робочого бака;
- експлуатувати водонагрівач зі знятою захисною кришкою електричного блока;
- проводити ремонтні роботи та обслуговування при увімкненому в електричну мережу водонагрівачеві;
- експлуатувати несправний водонагрівач.

З питань гарантійного, післягарантійного та сервісного обслуговування звертайтеся за телефоном 0-800-500-885.

При купівлі водонагрівача вимагайте правильного заповнення гарантійних документів, перевірки зовнішнього вигляду виробу, цілісності його елементів і комплектності. Претензії, що стосуються механічних ушкоджень і некомплектності водонагрівача після продажу не приймаються.

Гарантійні документи дійсні тільки в оригіналі з позначкою про дату і місце продажу, підписом продавця, штампом торгуючої організації. При втраті гарантійних документів Споживач втрачає право на гарантійне обслуговування. При відсутності у гарантійному і відривному талонах дати продажу гарантійний термін обчислюється з дати виробництва.

Вартість встановлення не входить у вартість виробу.

Гарантійне обслуговування виконується безкоштовно протягом гарантійного терміну експлуатації авторизованим сервісним центром.

Гарантійне зобов'язання не розповсюджується на магнієвий анод, тому що він є розхідним матеріалом.

Водонагрівач підлягає обов'язковому сервісному обслуговуванню (див . п. 7), яке повинні проводити кваліфіковані майстри авторизованого сервісного центру або уповноважені учасники «Клубу фахівців Atlantic», які використовують оригінальні магнієві аноди. З питань сервісного обслуговування звертатись за телефоном гарячої лінії 0-800-500-885.

Роботи із сервісного обслуговування та зміни розхідних матеріалів оплачує Споживач згідно з діючими прейскурантом сервісного центру.

Гарантійний термін експлуатації товару складає 24 місяці за обов'язкової умови проведення сервісного обслуговування у порядку, передбаченому п. 7 даного керівництва. Гарантійний термін на водяний бак може бути подовжений до 60 місяців за умови проведення сервісного обслуговування товару у порядку, передбаченому п. 7 даного керівництва.

Водонагрівач приймається на гарантійний ремонт тільки з керівництвом з експлуатації, з правильно заповненими гарантійними документами і заявою споживача.

Строк виконання гарантійних зобов'язань становить не більш 14 діб з дня надходження водонагрівача до організації, що виконує ремонт.

Виробник не несе відповідальності за відхилення параметрів електромережі і мережі водопостачання від норми і їх технічний стан, а також несправності водонагрівача, викликані цими відхиленнями.

При виникненні несправності споживач зобов'язаний відключити водонагрівач від електромережі та від системи водопостачання та звернутися за телефоном 0-800-500-885

Заборонено !!! Демонтувати водонагрівач до приїзду майстра сервісного центру. У випадку не виконання даної вимоги водонагрівач не підлягає гарантійному обслуговуванню і ремонт оплачує споживач.

Гарантійний ремонт виконується у таких випадках: розгерметизація (теча) бака; несправність ТЕНа; несправність терморегулятора; несправність запобіжного клапана (крім випадків скидання води крізь зливний отвір).

Безкоштовне технічне обслуговування виконується один раз упродовж гарантійного строку експлуатації і складається з:

- зовнішнього огляду міць з'єднання патрубків з баком;
- перевірки відсутності течі води в місці кріплення електричного блока;

Гарантійне обслуговування не проводиться у випадках:

- недотримання правил збереження, транспортування, встановлення, підключення і експлуатації виробу;
- механічних ушкоджень виробу;
- внесення технічних змін у виріб;
- використання приладу не за призначенням;

- відсутності магнієвого анода, встановленого у місці, передбаченому виробником в середині робочого бака водонагрівача;
 - порушення умов гарантійного обслуговування;
 - відсутності заземлення, якщо це призвело до виходу з ладу водонагрівача;
 - порушення вимог п. 7 щодо щорічного обслуговування (відсутність відмітки та наклейки в гарантійному талоні, що свідчать про проведення сервісного обслуговування фахівцем авторизованого сервісного центру або уповноваженим учасником «Клубу фахівців Atlantic»);
 - не відповідності якості води Державним санітарним правилам і нормам «Вода питна. Гігієнічні вимоги до якості води централізованого господарсько-питного водопостачання».
- У цих випадках ремонт сплачує Споживач.

ЗАПОВНЮЄ ВИКОНАВЕЦЬ

Гарантийный талон													
Заполняет продавец													
Водонагреватель модель _____	Заводской № <table border="1" style="display: inline-table; width: 100px; height: 15px; vertical-align: middle;"><tr><td> </td><td> </td><td> </td><td> </td><td> </td><td> </td><td> </td><td> </td><td> </td><td> </td></tr></table>												
Сертификаты соответствия УКР СЕПРО UA1.003.0029317-11 срок действия сертификата до 11.03.2013 года УКР СЕПРО UA1.003.0008416-09, UA1.003.0014484-10, UA1.003.0168383-11 срок действия сертификатов до 16.02.2014 года.													
Дата изготовления зашифрована в заводском номере: первые две цифры – год выпуска, вторые две цифры – неделя выпуска, остальные цифры – порядковый номер.													
Продавец _____	Дата продажи _____	Цена _____											
МП _____													
Заполняет исполнитель													
Товар принят на гарантийное обслуживание _____		Дата _____											
Учет работ по техническому обслуживанию и гарантийному ремонту													
Дата	Описание недостатков	Содержание выполненной работы, название и тип замененных комплектующих изделий	ИФО, подпись исполнителя										
Примечание: дополнительно вносится информация о работе по предупреждению возникновения пожара.													


полнения

	Заполняет исполнитель	Заполняет исполнитель
Исполнитель _____ _____ (адрес)	Исполнитель _____ _____ (предприятие, организация, адрес)	Исполнитель _____ _____ (предприятие, организация, адрес)
взят на гарантийный учет _____	Номер, по которому товар взят на гарантийный учет _____	Номер, по которому товар взят на гарантийный учет _____
Причина ремонта. Название замененного комплектующего изделия, составной части: _____ _____ _____	Причина ремонта. Название замененного комплектующего изделия, составной части: _____ _____ _____	Причина ремонта. Название замененного комплектующего изделия, составной части: _____ _____ _____
Дата проведения работ _____ (число, месяц, год)	Дата проведения работ _____ (число, месяц, год)	Работы по техническому обслуживанию, выполненные соответственно порядку гарантийного обслуживания, ремонтом не считаются.
Подпись лица, которое исполнило работу и его расшифровка _____	Подпись лица, которое исполнило работу и его расшифровка _____	Дата проведения работ _____ (число, месяц, год)
Номер пломбирователя _____	Номер пломбирователя _____	Подпись лица, которое исполнило работу и его расшифровка _____
МП	МП	Номер пломбирователя _____
Подпись потребителя, который подтверждает исполнение гарантийного ремонта _____	Подпись потребителя, который подтверждает исполнение гарантийного ремонта _____	Подпись потребителя, который подтверждает исполнение гарантийного ремонта _____

Этот прибор не предназначен для использования лицами (включая детей) с ограниченными физическими, сенсорными или умственными способностями, или людьми без опыта или технических знаний, если им не было предоставлено специальное обучение по вопросам использования устройства со стороны контролирующего лица, ответственного за их безопасность. Детям запрещено играть с прибором. Этот прибор может быть использован детьми начиная с 8 летнего возраста, а также людьми с ограниченными физическими, сенсорными, умственными способностями или людьми без опыта или технических знаний, при условии, что их действия контролируются, и что ими была изучена инструкция по использованию прибора и все возможные риски принимаются во внимание. Чистка и обслуживание прибора не может производиться детьми без присмотра. Важное примечание: Установка водонагревателя должна отвечать действующим нормам страны, в которой устанавливается прибор. В случае если вы не уверены, что ваши знания достаточны для установки данного прибора, мы рекомендуем обратиться к специалисту.

УСТАНОВКА: Внимание: Изделие имеет большой вес, обращайтесь с ним осторожно.

1. Устанавливать прибор в помещении, где исключено его замерзание. Разрушение прибора вследствие блокировки органов безопасности или не использования предохранительного клапана не покрывается гарантией.
2. Убедиться в том, что стена выдержит вес прибора, наполненного водой.
3. Если прибор устанавливается в помещении или месте, где температура окружающей среды постоянно выше 35°C, необходимо предусмотреть возможность его проветривания.
4. В ванных комнатах не должны устанавливаться изделия объемом V0 и V1 (см. рис. 1 р.3). Если водонагреватель устанавливается над жилыми помещениями, необходимо предусмотреть водосборную ёмкость со стоком в канализацию.
5. Размещать прибор в легкодоступном месте. В случае использования пластиковых труб, настоятельно рекомендуется установка терморегулятора на выходе. Он будет отрегулирован в соответствии с производительностью используемого материала.
6. Установка вертикальная и горизонтальная настенная : Чтобы позволить замену нагревательного элемента в случае необходимости, следует оставить расстояние (минимум 300 мм) под водонагревателем (для вертикальной модели) и сбоку (для горизонтальной модели) для доступа к электрической части. (рис1)
7. Прежде чем снять крышку, убедитесь, что питание отключено, чтобы избежать риска травм или электрошока.
8. Электрическое подключение должно включать в себя многополюсный выключатель (автоматический выключатель или предохранитель) в соответствии с местными правилами установки. (дифференциальным прерывателем 30 мА).
9. Если кабель (шнур) поврежден, он должен быть заменен на оригинальный шнур или набор, доступный у производителя или в сервисном центре.
10. Новое предохранительное устройство (или любое другое устройство для сброса давления) давлением в 7 или 9 бар (0,7 или 0.9 МПа), размером $\frac{1}{2}$ или $\frac{3}{4}$ " для гаммы Ø 505), должно быть обязательно установлено на входе в водонагреватель в соответствии с местными нормами, в помещении, где исключено его замерзание.
11. Устройство осушения предохранительного клапана должно быть периодически включено в работу для удаления накипи и проверки того, что прибор не заблокирован.
12. Запрещена установка каких либо гидравлических аксессуаров между клапаном безопасности и входом (подачей) холодной воды в прибор. Редукционный клапан (не поставляется в комплекте) требуется установить, когда давление превышает 5 бар (0,5 МПа).

13. Подключить предохранительное устройство к дренажной трубке в защищенном от мороза помещении, поддерживая её при этом на весу ; направить вниз, в сторону спуска воды, в случае расширения нагретой воды или при спуске воды из водонагревателя.
14. Трубы должны выдержать температуру в 100°C и давление в 10 бар (1 МПа).
15. Слив: Отключить питание и холодную воду, открыть краны горячей воды, работать со сливным клапаном предохранительного устройства.
16. Изделия, описанные в этой инструкции, могут быть изменены в любое время, чтобы оставаться в соответствии с новыми технологиями и стандартами. Продукция соответствует электромагнитной Директиве 2004/108/ЕС и Директиве по низкому напряжению 2006/95/ЕС
17. Не выбрасывайте это устройство с общим мусором, он должен быть сдан в  специализированный пункт для переработки.

Уважаемые покупатели! По вопросам гарантийного, сервисного и послегарантийного обслуживания на территории Российской Федерации обращайтесь по тел.: 8-800-100-21-77 – бесплатно с городских телефонов. С актуальным списком сервисных центров и развернутой информацией по эксплуатации можно ознакомиться на сайте [www.http://www.atlantic-comfort.ru](http://www.atlantic-comfort.ru) или по телефону 8-800-100-21-77.

1. КРЕПЛЕНИЕ

см. ПРЕДУПРЕЖДЕНИЕ 1 – 6 (см. р. 21).



Для установки продукта, обратитесь к разделу рисунки 1 стр. 2.

2. ПОДКЛЮЧЕНИЕ ТРУБ

см. ПРЕДУПРЕЖДЕНИЕ 10 – 14 (см. р. 21).



Для гидравлической связи, обратитесь к чертежам раздела 2 стр. 3.

Перед подключением необходимо тщательно прочистить подающие трубы. Подключение на выходе горячей воды производится при помощи чугунной, стальной муфты или при помощи диэлектрического соединительного элемента. С тем, чтобы избежать коррозию труб (прямой контакт железо-медь), запрещается использовать соединительные элементы из латуни.

На входе водонагревателя **обязательно установить новый узел безопасности**, который соответствовал бы действующим нормам (в Европе EN 1487) Давление 7 или 9 бар (0.7 или 0.9 МПа), размер $\frac{1}{2}$. **Группа безопасности или предохранительный клапан должны быть защищены от мороза.** Никакое гидравлическое приспособление не должно находиться между узлом безопасности и местом доступа холодной воды в прибор. Редуктор давления необходим в том случае, когда давление подаваемой воды превосходит 5 бар 5 МПа (в комплект поставки не входит). Присоединить узел безопасности к сливной трубе для того, чтобы обеспечить выход воды в результате её термического расширения или в случае слива воды из водонагревателя. Подключение предохранительного устройства должно осуществляться без давления в трубе, трубы должны быть защищены от замерзания; трубы должны быть установлены под наклоном для свободного отбора воды во время нагрева или осушения водонагревателя. трубы должны выдерживать температуру в 100°C и давление в 10 бар (1 МПа). Внимание: Не использовать клапан безопасности при такой сборке во Франции (Métropole and DOM-TOM).

Предохранительный клапан: предохранительный клапан конструктивно объединяет в себе обратный и стравливающий клапан. Обратный клапан исключает вытекания воды из бака в стояк при отсутствии холодной воды в водопроводе. При нагревании происходит расширение воды, что приводит к увеличению давления в баке. При превышении давления воды в рабочем баке более 8 бар, возможен, или сброс небольшого количества воды, через сливное отверстие стравливающего клапана, или стравливания избыточного давления через обратный клапан в стояк холодного водоснабжения. Это является нормальным режимом работы предохранительного клапана. В процессе эксплуатации ЭВН возможно срабатывание тепловой защиты регулятора, которая срабатывает в результате перепадов напряжения в электросети или перегрева ТЭНа, вызванного значительным образованием накипи на нем. Срабатывание тепловой защиты не считается неисправностью и не подлежит устранению по гарантии. Возобновление работы ЭВН осуществляется потребителем самостоятельно, для чего необходимо: отключить ЭВН от электросети; выкрутить крепежный шуруп защитной крышки; снять защитную крышку; нажать на кнопку тепловой защиты, которая расположена в корпусе терморегулятора. После возобновления работы терморегулятора установите на место защитную крышку и включите ЭВН. Постоянное включение кнопки тепловой защиты может привести к выходу из строя терморегулятора

3. ЭЛЕКТРИЧЕСКОЕ ПОДКЛЮЧЕНИЕ



Для электрического соединения, обратитесь к чертежам раздел 3 стр. 4.

В зависимости от модели водонагреватель должен питаться только от сети однофазного переменного тока 230. Подсоединить водонагреватель при помощи жёсткого кабеля с жилами сечением в 2.5 мм кв. Для этого использовать стандартные штробы (жёсткая оплётка или короба), которые должны подходить к калиброванному ложементу крышки. В том случае, если приборы имеют кабель или розетку (во Франции запрещено), подключать напрямую. В обязательном порядке подключить заземление или подвести провод заземления к специальной клемме, обозначенной знаком . **Данное подключение является обязательным из соображений безопасности.**

Длина жёлто-зелёного провода заземления должна быть больше длины фазных проводов. Установка должна иметь на входе водонагревателя однополюсное прерывательное устройство (раскрытие контактов не менее 3 мм: предохранитель, прерыватель). В том случае, если водяные трубы изготовлены из изолирующего материала, электрические цепи должны быть защищены дифференциальным прерывателем 30 мА, соответствующим действующим нормам. Выставить напряжение питающей сети (смотри схемы и таблицу).

До вскрытия крышки проверить отключено ли электропитание. В любых случаях защита должна быть выше отбора воды из водонагревателя. Повреждённый шнур питания должен быть заменен производителем, его службой обслуживания или любым другим квалифицированным специалистом во избежание каких-либо рисков.



Тепловой прерыватель (см. рисунки раздела 5 стр.4): Все наши изделия оснащены термостатом с тепловым прерывателем и ручным взводом, который отключает напряжение водонагревателя в случае перегрева. Внимание: В случае срабатывания прерывателя:

- а) обесточить перед проведением любых операций,
- б) снять крышку,
- в) проверить электрическое подключение,
- г) взвести тепловой выключатель.

В случае повторного срабатывания, произвести замену термостата. Никогда не закорачивать защитные устройства и термостат. Питание подключать только на входную панель.

ВНИМАНИЕ: Никогда не включать водонагреватель без воды. Перед включением напряжения открыть кран горячей воды, полностью выпустить воздух из труб и заполнить прибор. Проверить герметичность стыков и прокладки дверцы под крышкой. В случае обнаружения подтеканий, подтянуть, не прикладывая чрезмерных усилий. Проверить функционирование гидравлических узлов безопасности и наполнить водой. Подать напряжение на прибор. Через 5-20 минут, в зависимости от объема прибора, вода должна начать капать из сливного отверстия предохранительного клапана. Это естественное явление, вызванное расширением воды. Проверить герметичность стыков и прокладки. Во время нагрева и в зависимости от качества воды водонагреватели с погружным нагревательным элементом могут издавать звук кипения; этот звук является нормальным и не свидетельствует ни о какой неисправности прибора.

Чтобы избежать развития бактерий (легионелла и др), нагревать воду не менее одного раза в день до 60°C. Заводская регулировка термостата произведена при помощи стопора (в зависимости от модели, 65°C+5°C или 82+3°C). **ВНИМАНИЕ:** Если вы заметите постоянное выделение пара или кипящей воды через слив или через отверстие водозаборного крана, необходимо отключить электропитание водонагревателя и обратиться к специалисту.

Ввод в эксплуатацию

- Заполните ЭВН водой для этого: убедитесь в том, что закрыта запорная арматура на стояке горячего водоснабжения; откройте запорную арматуру на стояке холодного водоснабжения; откройте кран горячей воды на смесителе в точке потребления; ЭВН будет заполнен, когда из крана горячей воды начнет вытекать вода; закройте кран горячей воды.
- Осмотрите место подключения ЭВН к системе водоснабжения и убедитесь в отсутствии протечек воды.
- Включите автоматический выключатель.
- Регулировка температуры нагрева производится поворотом ручки регулировки:

Внимание! При первом включении ЭВН моделей Steatite возможно появление запаха гари и небольшого количества дыма, это обусловлено выгоранием поверхностного налета из спиралей нагревательного элемента.




Водонагреватель обладает цифровым экраном, который позволяет выбрать режим работы (видеть. разработке раздела 4 стр. 4).


- 1/ Кнопка MODE (A): Позволяет выбрать режим работы. Нажмите дважды для смены режима.
- 2/ Кнопки установок (B), они позволяют увеличивать или понижать установку температуры (с шагом в 1°C).
- 3/ Индикатор режима работы: показывает текущий режим работы изделия (C).
- 4/ Режимы работы (D)

FROST FREE режим ❄️ : автоматическое поддержание плюсовой температуры (7°C), позволяет снизить потребление электроэнергии в период отсутствия пользователя


SMART режим SMART : Полностью автоматический режим подачи воды: после периода изучения, аппарат будет сам устанавливать температуру горячей воды адаптированную для использования потребителем. Это позволяет оптимизировать расход электроэнергии.


MINI режим Mini : По выбору пользователя температура горячей воды устанавливается между 45°C и 50°C (по умолчанию 50°C)




CONFORT режим  : По выбору пользователя температура горячей воды устанавливается между 50°C и 65°C (по умолчанию 50°C). Предупреждение: использование этого режима может увеличить электропотребление прибора.

MAX режим.  : По выбору пользователя температура горячей воды устанавливается между 65°C и 70°C (по умолчанию 70°C). Предупреждение: использование этого режима может увеличить электропотребление прибора и появление накипи. Будьте осторожны при пользовании горячей водой, она может обжечь. Настоятельно рекомендуется использовать все меры предосторожности при использовании этого режима работы.

5/ Температура (F):

в режиме NO FROST  указывается установка температуры 7°C – автоматически установленная прибором.

В режиме SMART  показывается установка температуры автоматически определенная и зафиксированная водонагревателем. В тот момент когда используется большое количество горячей воды, температура отображаемая на дисплее – это температура измеренная рядом с нижним краем прибора (30cm для водонагревателя 50L, 40cm для водонагревателя 80L и 100L). Это означает, что оставшееся количество горячей воды ограничено (10L горячей воды осталось для водонагревателя 50L, 30L осталось для водонагревателя 80L и 50L для водонагревателя 100L).

В режиме MINI , CONFORT  and MAX modes  , показывается температура воды, содержащаяся в водонагревателе. Когда нажимаются кнопки установок дисплей в течение нескольких секунд устанавливает температуру выбранную пользователем, прежде чем вывести на дисплей температуру воды в водонагревателе.

6/ Индикатор нагрева (E): Показывает когда вода в процессе подогрева. КОММЕНТАРИЙ: если индикатор продолжительно горит – это означает, что водонагреватель в процесс подогрева. Это не означает плохой работы водонагревателя.

В случае некорректной работы изделия на дисплее высвечивается сигнал об ошибке.

код	ошибка	элементу	действия
E1	Датчик температуры	Термостат	Отключить и снова подключить источник питания ➤ Если проблема сохраняется обратитесь к вашему установщику или дилеру (сервисный код: ERR3) ➤ Если ошибка пропала - узел снова работоспособен
E2	Нет нагрева – Нет горячей воды	Термостат Горячее водоснабжение Нагревательный элемент	1/ Проверьте, что нет проблем с горячим водоснабжением (открытый кран, прорыв канализации...) ➤ Если обнаружена течь, решите проблему, отключите и снова подключите питание к прибору и проверьте, что ошибка не повторяется во время первого разогрева. 2/ Проверьте, что не сработала тепловая защита → Отключите питание → откройте крышку прибора → проверьте термостат ➤ Если сработала тепловая защита → восстановите ее нажав кнопку SEFETY на термостате → закройте крышку прибора → подключите питание и проверьте, что ошибка не повторяется при первом прогреве. Если ошибка повторяется, обратитесь к своему установщику или дилеру (сервисный код: ERR9). 3/ Не один из описанных выше случаев ➤ Обратитесь к своему установщику или дилеру (сервисный код: ERR0).
E3	Перегрев – опасность ожога	Термостат	Проверьте, что не сработала тепловая защита → Отключите питание → откройте крышку → проверьте термостат ➤ Если сработала тепловая защита → восстановите ее нажав кнопку SEFETY на термостате → закройте крышку прибора → подключите питание и проверьте, что ошибка не повторяется при первом прогреве. Если ошибка повторяется, обратитесь к своему установщику или дилеру (сервисный код: ERR9). Если тепловая защита не сработала, обратитесь к своему установщику или дилеру (сервисный код: ERR9).
E4	Нет горячей воды	Снабжение холодной водой	1/ Проверьте, что холодное водоснабжение работает 2/ Откройте кран горячей воды и посмотрите на поток воды. Если поток не начинается немедленно ...Откройте кран горячей воды и посмотрите на поток. Если поток воды не немедленный подождите пока система освободится от воздуха. ➤ Если поток горячей воды достаточный → отключите питание и подключите его вновь и проверьте, что ошибка не повторилась. Если ошибка появляется снова, обратитесь к вашему установщику или дилеру

(сервисный код: Eгг7).

- Если отсутствует поток горячей воды, обратитесь к квалифицированным профессионалам для настройки холодного водоснабжения прибора.

CAUTION: Before removing the plastic cover, make sure the power is turned off to avoid any risk of injury or electric shock.

ВНИМАНИЕ: Прежде чем снять пластиковую крышку, чтобы избежать возможности получения травм или удара электрического тока убедитесь, что прибор отключен от питания.

1. ДОМАШНЕЕ ОБСЛУЖИВАНИЕ

1 раз в месяц приводить в действие узел слива устройства гидравлической безопасности: удалить накипь и проверить, чтобы он не заедал. Несоблюдение этого правила может вызвать повреждение прибора и потерю гарантии.

2. ОБСЛУЖИВАНИЕ КВАЛИФИЦИРОВАННЫМ ПЕРСОНАЛОМ

Корпус водонагревателя нужно время от времени вытирать влажной мягкой тряпкой или губкой. Ни в коем случае не используйте абразивные или пенообразующие средства. Сервисное обслуживание водонагревателей осуществляется не позднее 10 дней по истечению указанного ниже срока от даты покупки ЭВН и даты проведения последнего сервисного обслуживания

Сервисное обслуживание состоит из: Чистки внутреннего бака водонагревателя от накипи ;Чистки фланца нагревательного элемента от накипи ; Замены магниевого анода ; Проверки состояния внутреннего бака, ТЭНа, прокладки, фланца и электрического блока управления ; Проверки состояния предохранительного клапана и его чистку при необходимости ; Отметки в гарантийном талоне. Внимание! Работы по сервисному обслуживанию оплачивает потребитель, согласно действующего прейскуранта сервисного центра.

3. УКАЗАНИЯ ПО ТЕХНИКЕ БЕЗОПАСНОСТИ. ЗАПРЕЩАЕТСЯ

Устанавливать ЭВН на гибких шлангах ;эксплуатировать ЭВН без заземления ;эксплуатировать ЭВН без магниевого анода, который установлен на фланце в середине рабочего бака ;эксплуатировать ЭВН со снятой защитной крышкой электрического блока ;проводить ремонтные работы и обслуживание при включенном в сеть ЭВН ;эксплуатировать неисправный ЭВН.

Водонагреватель должен быть установлен, должен использоваться и обслуживаться в соответствии с нормами, действующими в стране установки, и в соответствии с указаниями настоящего руководства.

Гарантия вступает в силу с момента установки с дня, указанного на счете на продажу или на установку; при отсутствии данных документов, точкой отсчета будет являться дата изготовления, указанная на шильде водонагревателя, с прибавлением 6 месяцев. Замена компонента не влечёт за собой продление срока гарантии прибора.

Торговая гарантия покрывает бесплатную замену ёмкостей и элементов, признанных неисправными нашей службой послепродажного обслуживания, за исключением расходных деталей (магнезиевый анод, прокладка ...) без выплаты компенсации и продления гарантии. Гарантия не покрывает расходы по ремонтным работам и доставке, которые должны оплачиваться в соответствии с нашими тарифами.

При покупке ЭВН Atlantic требуйте правильного заполнения гарантийных документов, проверки внешнего вида изделия, целостности его элементов и комплектности. Претензии, касающиеся механических повреждений и некомплектности ЭВН, после продажи не принимаются. Гарантийные документы действительны только в оригинале с отметкой о дате и месте продажи, подписью продавца, штампом торгующей организации. При неправильном оформлении или потере гарантийных документов потребитель теряет право на гарантийное обслуживание.

При отсутствии в гарантийном и отрывном талонах даты продажи гарантийный срок исчисляется со дня выпуска изделия предприятием-изготовителем. Стоимость установки не входит в стоимость изделия. Гарантийное обязательство не распространяется на магниевый анод, потому что он является расходным материалом.

Водонагреватель подлежит обязательному сервисному обслуживанию (см. п.), которое должно проводиться уполномоченным сервисным центром, или уполномоченными участниками «Клуба специалистов Atlantic», которые используют оригинальные комплектующие. Работы по сервисному обслуживанию и изменения расходных материалов оплачивает Потребитель согласно действующего прейскуранта сервисного центра. Гарантийный срок эксплуатации товара составляет 24 месяца при обязательном условии проведения сервисного обслуживания в порядке, предусмотренном п. 8 данного руководства. Гарантийный срок на водяной бак может быть продлен до 36 месяцев (модели E-series, EGO), до 60 месяцев (модели O'Pro, O'Pro +), до 84 месяцев (Модели Steatite N3CM (E) (модели Steatite N4C (E), D400-2-BC) при условии проведения сервисного обслуживания товара в порядке, предусмотренном п. 8 данного руководства.

При возникновении неисправностей потребитель обязан отключить ЭВН от электросети и от системы водоснабжения. ЭВН Atlantic принимается на гарантийный ремонт только с руководством по эксплуатации, с правильно заполненными гарантийными документами и заявлением потребителя. Срок выполнения гарантийных обязательств составляет не более 14 суток со дня поступления ЭВН в организацию, выполняющую ремонт. Изготовитель не несет ответственности за отклонения параметров электросети и сети водоснабжения от нормы и их техническое состояние, а также неисправности ЭВН вызванные этими отклонениями.

Запрещено! Демонтировать ЭВН до приезда мастера сервисного центра. В случае не выполнения данного требования ЭВН не подлежит гарантийному обслуживанию, и ремонт оплачивает потребитель. Гарантийный ремонт производится в следующих случаях: разгерметизация (течь) бака ;неисправность ТЭНа ;неисправность терморегулятора ;неисправность сигнальной лампочки ;неисправность предохранительного клапана (кроме случаев сброса воды через сливное отверстие, см. п. 5).

Гарантийное обслуживание не производится в случаях: несоблюдение правил хранения, транспортировки, установки, подключения и эксплуатации изделия; механических

повреждений изделия ; внесение технических изменений в изделие ;использование прибора не по назначению; отсутствие магниевого анода, установленного в месте, предусмотренном производителем в середине рабочего бака ЭВН ; нарушение условий гарантийного обслуживания ; отсутствия заземления, если это привело к выходу из строя ЭВН ; нарушение требований п. 8 по ежегодному обслуживанию (отсутствие отметки и наклейки в гарантийном талоне, свидетельствующих о проведении сервисного обслуживания специалистом авторизованного сервисного центра или уполномоченным участником «Клуба специалистов Atlantic»).В этих случаях ремонт оплачивает Потребитель. В случае вызова специалиста сервисного центра с не гарантийного случая, потребитель оплачивает стоимость вызова согласно действующего прейскуранта.Производитель оставляет за собой право вносить изменения в руководство без уведомления потребителей.

Гарантийные обязательства Гарантийный срок эксплуатации товара составляет 24 месяца при обязательном условии проведения сервисного обслуживания в порядке, предусмотренным данным руководством. Гарантийный срок на водяной бак может быть продлен до 36 месяцев (модели E-series, EGO), до 60 месяцев (модели O'Pro, O'Pro +), до 84 месяцев (модели Steatite N3CM (E), (модели Steatite N4C (E), D400-2-BC) при условии проведения сервисного обслуживания товара.

Если в течение гарантийного срока товар эксплуатировался с нарушением правил или потребитель не выполнял рекомендаций предприятия, выполняющего работы по гарантийному обслуживанию товара, ремонт производится за счет потребителя

Заполняет исполнитель

В процессе эксплуатации ЭВН возможно срабатывание тепловой защиты регулятора, которая срабатывает в результате перепадов напряжения в электросети или перегрева ТЭНа, вызванного значительным образованием накипи на нем. Срабатывание тепловой защиты не считается неисправностью и не подлежит устранению по гарантии.

Возобновление работы ЭВН осуществляется потребителем самостоятельно, для чего необходимо:

- отключить ЭВН от электросети;
- выкрутить крепежный шуруп защитной крышки;
- снять защитную крышку;
- нажать на кнопку тепловой защиты, которая расположена в корпусе терморегулятора.

После возобновления работы терморегулятора установите на место защитную крышку и включите ЭВН. Постоянное включение кнопки тепловой защиты может привести к выходу из строя терморегулятора.

Индикатор нагрева показывает условный уровень температуры воды в середине рабочего бака (кроме модели Slim). Градуировка индикатора для условного и точного измерения температуры воды в баке не предназначена.

Гарантийный талон**Заполняет продавец**Водонагреватель модель _____ Заводской №

--	--	--	--	--	--	--	--	--	--

Сертификаты соответствия УКР СЕПРО UA1.003.0029317-11 срок действия сертификата до 11.03.2013 года
УКР СЕПРО UA1.003.0008416-09, UA1.003.0014484-10, UA1.003.0168383-11 срок действия сертификатов до 16.02.2014 года.

Дата изготовления зашифрована в заводском номере: первые две цифры – год выпуска, вторые две цифры – неделя выпуска, остальные цифры – порядковый номер.

Продавец _____ Дата продажи _____ Цена _____

ИФО исполнителя под печатью _____
подпись _____
ИФО продавца _____
подпись

МП

Заполняет исполнитель

Товар принят на гарантийное обслуживание _____ Дата _____

Учет работ по техническому обслуживанию и гарантийному ремонту

Дата	Описание недостатков	Содержание выполненной работы, название и тип замененных комплектующих изделий	ИФО, подпись исполнителя

Примечание: дополнительно вносится информация о работе по предупреждению возникновения пожара.

