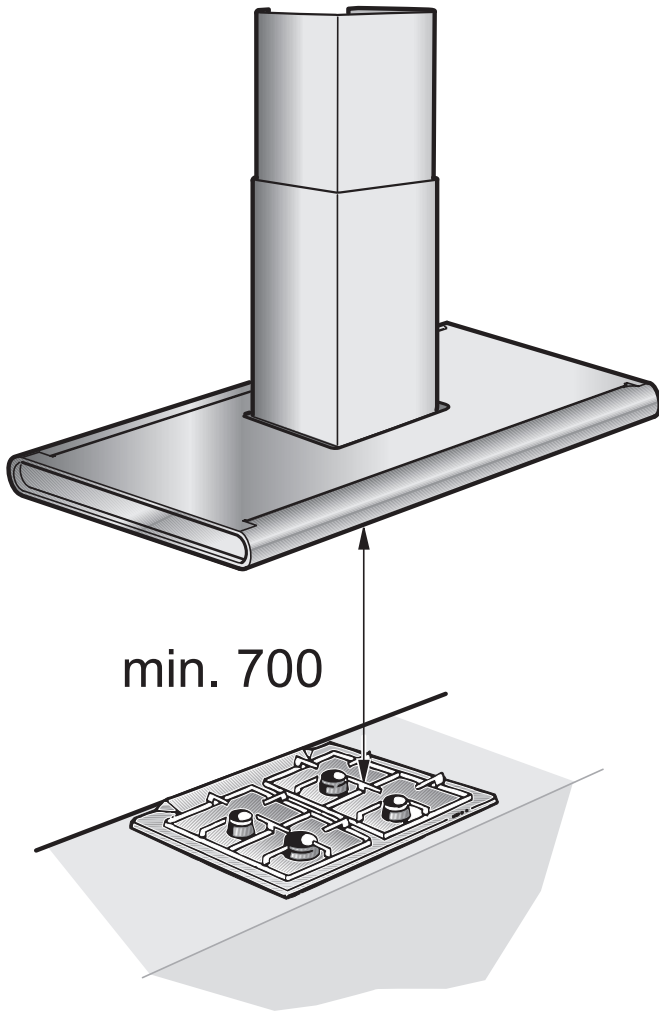


# **Extractor hood**

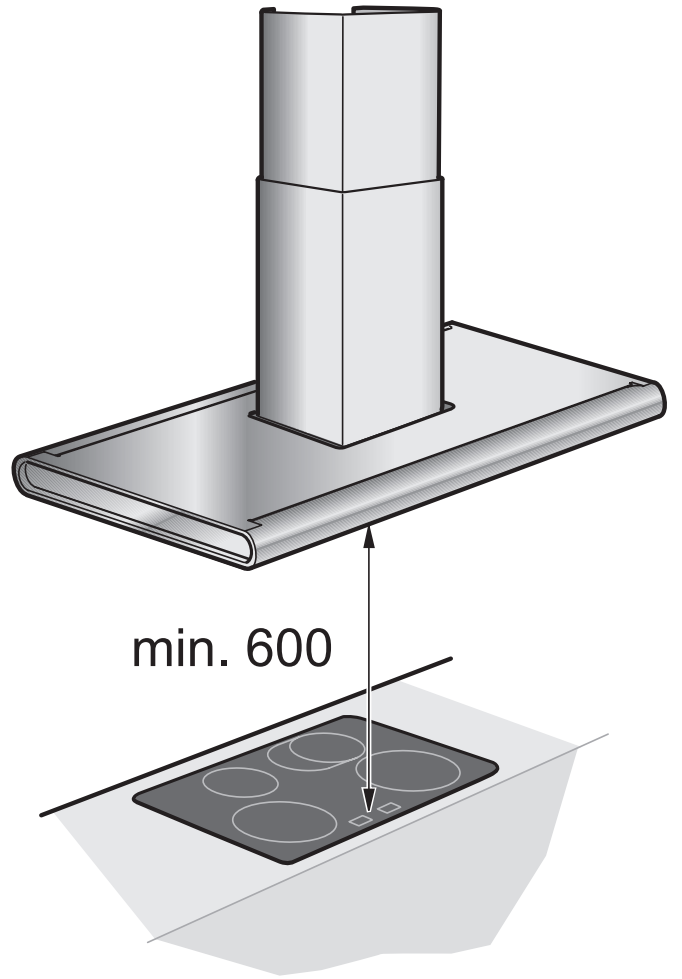
**AI 280120**

**AI 281120**

Fig. 1  
GAS



ELECTRIC



---

## Table of Contents

---

---

### Operating Instructions

---

<b>Operating modes</b>	<b>4</b>
Exhaust-air mode	4
Circulating-air mode	4
Coanda effect	5
<b>Operating for the First Time</b>	<b>6</b>
<b>If you encounter a problem</b>	<b>6</b>
<b>Safety instructions</b>	<b>7</b>
<b>Operating procedure</b>	<b>8</b>
Intensive setting	9
Special functions	9
<b>Filters and maintenance</b>	<b>10</b>
Grease filters	10
Saturation indicator F	10
Activated carbon filter	11
<b>Cleaning and care</b>	<b>12</b>
<b>Replacing the light bulbsn</b>	<b>13</b>

---

### Installation Instructions

---

<b>Important information</b>	<b>15</b>
<b>Prior to installation</b>	<b>16</b>
Exhaust-air mode	16
Circulating-air mode	17
Preparing the wall	18
<b>Electrical connection</b>	<b>19</b>
<b>Installation</b>	<b>20</b>

---

## Operating modes

---

### Exhaust-air mode

- Installation accessories for exhaust air mode.

Ventilation duct

**AD280/281-016** for ceiling heights of 2.27–2.44 m

**AD280/281-026** for ceiling heights of 2.44–2.76 m

**AD280/281-036** for ceiling heights of 2.76–2.98 m.

- The extractor-hood fan extracts the kitchen vapours and conveys them through the grease filter into the atmosphere.
- The grease filter absorbs the solid particles in the kitchen vapours.
- The kitchen is kept almost free of grease and odours.

**When the extractor hood is operated in exhaust-air mode simultaneously with a different burner which also makes use of the same chimney** (such as gas, oil or coal-fired heaters, continuous-flow heaters, hot-water boilers) care must be taken to **ensure that there is an adequate supply of fresh air** which will be needed by the burner for combustion.

Safe operation is possible provided that the underpressure in the room where the burner is installed does not exceed 4 Pa (0.04 mbar).

This can be achieved if combustion air can flow through non-lockable openings, e.g. in doors, windows and via the air-intake/exhaust-air wall box or by other technical measures, such as reciprocal interlocking, etc.

**If the air intake is inadequate, there is a risk of poisoning from combustion gases which are drawn back into the room.**

An air-intake/exhaust-air wall box by itself is no guarantee that the limiting value will not be exceeded.

Note: When assessing the overall requirement, the combined ventilation system for the entire household must be taken into consideration. This rule does not apply to the use of cooking appliances, such as hobs and ovens.

Unrestricted operation is possible if the extractor hood is used in recirculating mode – with activated carbon filter.

### Circulating-air mode


- Installation accessories for circulating air mode.

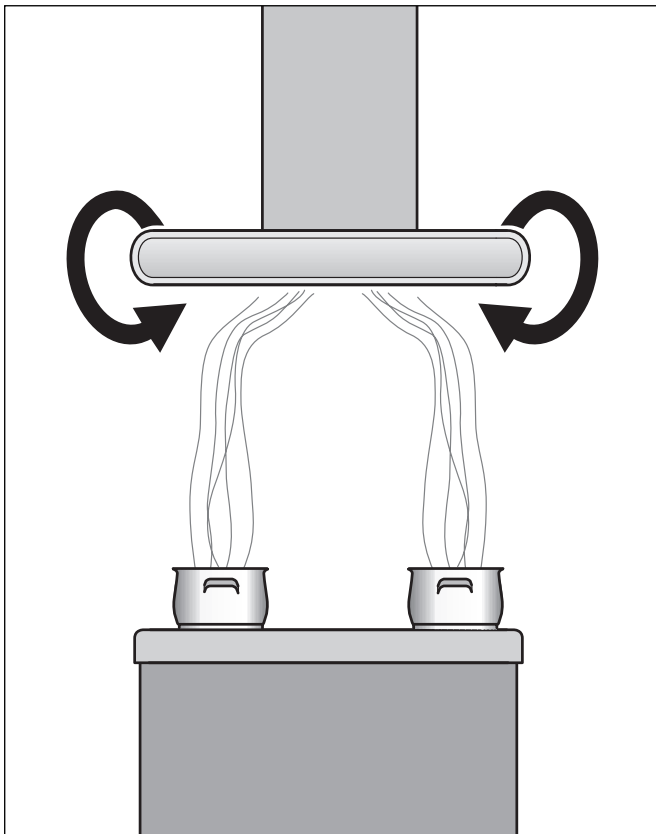
Ventilation duct

**AD280/281-126** for ceiling heights of 2.44–2.76 m

**AD280/281-136** for ceiling heights of 2.76–2.98 m..

- An activated carbon filter must be fitted for this operating mode (see Filters and maintenance).
- The extractor-hood fan extracts the kitchen vapours which are purified in the grease filter and activated carbon filter and then conveyed back into the kitchen.
- The grease filter absorbs the grease particles in the kitchen vapours.
- The activated carbon filter binds the odorous substances.

 If no activated carbon filter is installed, it is not possible to bind the odorous substances in the cooking vapours.



## Coanda effect

- You do not need to activate the Coanda effect. The Coanda air flow is always active at every fan level. Cooking vapours are extracted particularly well at the front of the cooking field.
- The Coanda effect may allow you to operate the extractor hood at a lower, quieter level than you were previously accustomed to.
- The Coanda air flow exits the top of the extractor hood's front panel. Do not place any objects on the extractor hood: these may disrupt the Coanda effect.

---

## Operating for the First Time

---

The Instructions for Use apply to several versions of this appliance. Accordingly, you may find descriptions of individual features that do not apply to your specific appliance.

This extractor hood complies with all relevant safety regulations.

Repairs should be carried out by qualified technicians only.

Improper repairs may put the user at considerable risk.

Before using your appliance for the first time, please read these Instructions for Use carefully. They contain important information concerning your personal safety as well as on use and care of the appliance.

Please retain the operating and installation instructions for a subsequent owner.



This appliance is labelled in accordance with European Directive 2002/96/EG concerning used electrical and electronic appliances (waste electrical and electronic equipment – WEEE). The guideline determines the framework for the return and recycling of used appliances as applicable throughout the EU.

---

## If you encounter a problem

---

**If an F appears in the display:**

- See "Filters and maintenance" Section.

**If it is not possible to operate the extractor hood:**

- Disconnect the extractor hood from the mains electricity supply by pulling out the plug or switching it off at the main fuse box. Wait for approx. 1 minute and then switch it on again.

If you have any questions or if a fault occurs, please call Customer Service.

(See list of Customer Service representatives).

When you call, please quote the following:

E-Nr.	FD
-------	----

Enter the relevant numbers into the box above. The E-Nr. (product no.) and FD (production date) are shown on the nameplate which can be seen inside the extractor hood after the filter frame has been detached.

**⚠ The manufacturer of the extractor hoods accepts no liability for complaints which can be attributed to the design and layout of the pipework.**



## Safety instructions

Do not flambé food directly under the extractor hood.

Risk of grease filter catching fire due to flames.

The hotplates must always be covered with a utensil.

The extractor hood must not be operated above a solid-fuel or gas fire (coal, wood, etc.) (see installation instructions).

Do not operate all hotplates simultaneously over a prolonged period (max. 15 minutes) at maximum thermal load, otherwise there is a risk of burns from touching the housing surfaces or a risk of damaging the extractor hood. When operating the extractor hood above a hob, operate the hood at maximum setting if three or more hotplates are on at the same time.

Do not use the appliance if damaged.

The appliance is not intended for use by young children or infirmed persons without supervision. Young children should be supervised to ensure they do not play with the appliance.

If the connecting cable for this appliance is damaged, the cable must be replaced by the manufacturer or his customer service or a similarly qualified person in order to prevent serious injury to the user.

The appliance may be connected to the mains by a qualified technician only.

Dispose of packaging materials properly (see Installation instructions).

Never allow children to play with the appliance.

Do not let adults or children operate the appliance unsupervised:

- if they are mentally or physically unable to use the appliance safely and correctly,
- if they don't have the knowledge and experience to use the appliance safely and correctly.

This extractor hood is designed for domestic use only.

Light bulbs must always be fitted when the extractor hood is in use.

Defective bulbs should be replaced immediately to prevent the remaining bulbs from overloading.

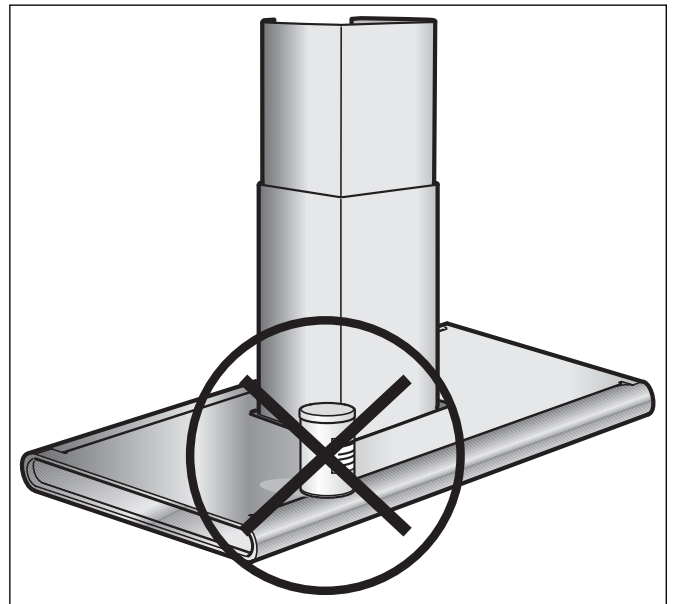
Never operate the extractor hood without a grease filter.

Overheated fat or oil can easily catch fire. If you are cooking with fat or oil, e.g. chips, etc., never leave the cooker unattended.

Carefully clean the extractor hood before switching on for the first time.

Do not place any objects on the extractor hood.

The slot for the Coanda air flow must be free at all times.



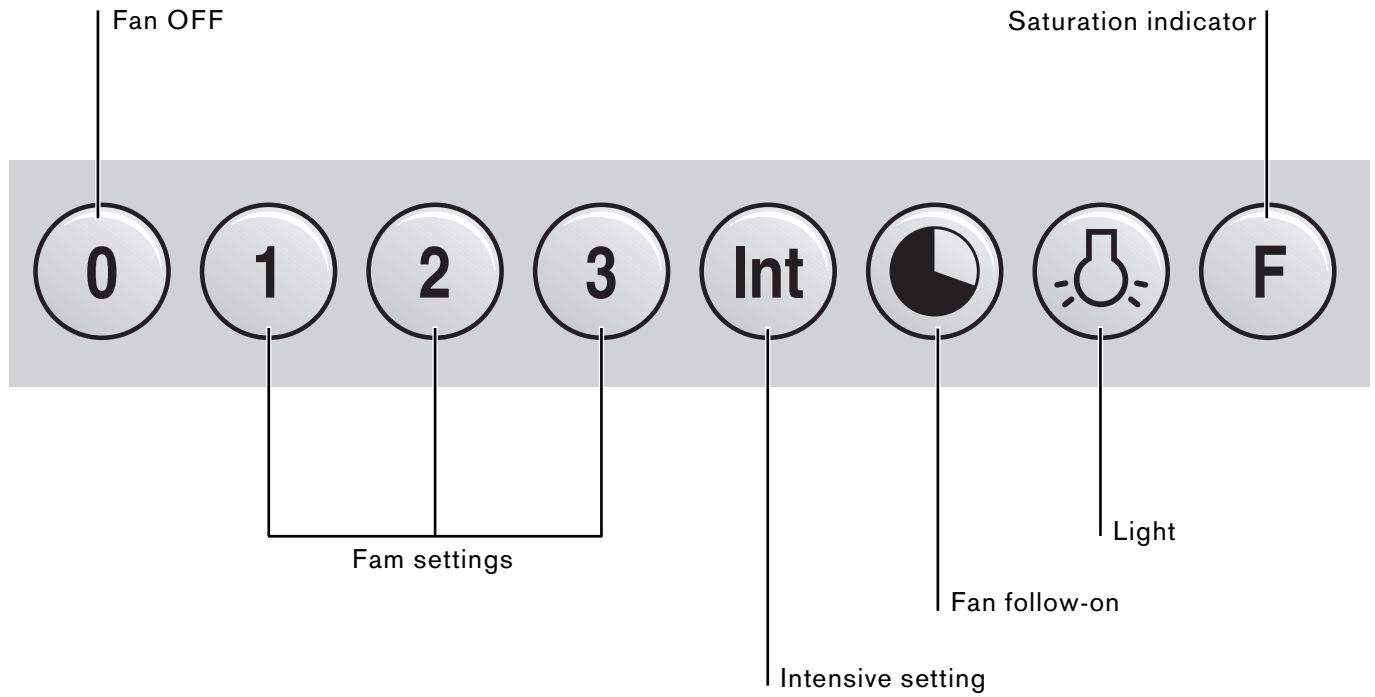
---

## Operating procedure

---

The most effective method of removing vapours produced during cooking is to:

- **Switch the ventilator ON** as soon as you begin cooking.
- **Switch the ventilator OFF** a few minutes after you have finished cooking.





### Switching the fan ON:

- Press the **1, 2, 3** or **Int** button.

### Switching the fan OFF:

- Press the **0** button.

## Intensive setting

Maximum power is obtained at the intensive setting. It is only required for short intervals.


- The **Int** key for the intensive level should be pressed when browning and frying in an open pan.  
  
If you have switched on the hood by selecting the intensive level, it will be switched off again automatically after 5 minutes.
- If you press the **Int** key while the hood is running at fan level **1, 2** or **3**, the electronic control will switch back automatically to the previously selected fan level after 5 minutes.
- If you would like to end the intensive level **before** the five minutes have elapsed, press the **0** key ("Motor off") or select a different level. It is possible to switch off the extraction function at any time by pressing the **0** key (motor "off").

## Special functions

### Intensive time:


- You can set the intensive level running time to 3, 5 or 10 minutes by simultaneously pressing the **Int** key and the **1, 2** or **3** key and you can store this setting. When delivered, the appliance is set to five minutes, i.e. the combination of the **Int** key and the key **2**.

### Fan follow-on:

- Delayed shut-off is possible at any level. First press the required key **1, 2, 3** or **Int** and then press the  key.  
The delayed shut-off time for all levels is ten minutes. After these ten minutes, the ventilation switches off, but the lighting stays on.



### Interval ventilation:

- Interval ventilation is a special feature of this appliance which periodically activates the fan for five minutes every hour. You can activate this function by simultaneously pressing the **0** key and, depending on the required extraction capacity, the **1, 2** or **3** key.

This mode of operation is indicated by alternating illumination of the  key together with the corresponding fan level indicator.

You can switch off interval ventilation by pressing the **0** key.

### Lighting:

- Briefly press the  button to switch the light on and off.
- The light can be switched on at any time, even though the fan is switched off.
- **Adjusting the brightness:**  
Hold down the  button until the desired brightness is obtained.

---

## Filters and maintenance

---

### Grease filters

**Metal filters are used to trap the greasy element of the vapours that develop during cooking.**

The filter mats are made from non-combustible metal.

Caution:

As the filter becomes more and more saturated with grease, not only does the risk of it catching fire increase but the efficiency of the extractor hood can also be adversely affected.

Important:

By cleaning the metal grease filters at appropriate intervals, the possibility of them catching fire as a result of a build-up of heat such as occurs when deep-fat frying or roasting is taking place, is reduced.

### Saturation indicator: F

**The grease filter saturation display F flashes after an operating time of 30 hours to you indicate to you that you should clean the grease filter. The grease filters can of course be cleaned at any time, even if the grease filter saturation display has not started to flash.**

### Cleaning the metal grease filters:

- In normal operation (1 to 2 hours daily), the metal grease filter must be cleaned 1 x a month.
- The filters can be cleaned in a dishwasher. It is however possible that they will become slightly discoloured.
- The filter must be placed loosely, and NOT wedged, in the dishwasher.

**Important:**

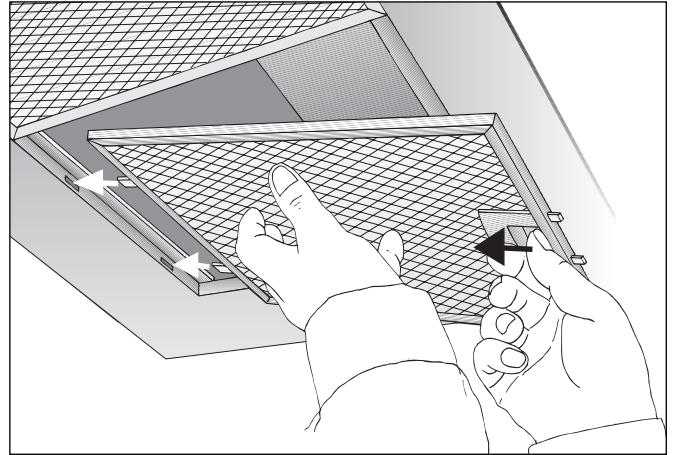
Metal filters that are saturated with grease should not be washed together with other dishes etc.

- When cleaning the filters by hand, soak them in hot soapy water first of all. Do not use aggressive, acidic or caustic cleaners. Then brush the filters clean, rinse them thoroughly and leave the water to drain off.

### Removing and inserting the metal grease filters:

**IMPORTANT:** The lighting must be switched OFF and cool.

- 1 Press the catch on the grease filters inwards and fold the filters down. At the same time take hold of the underside of the grease filters with your other hand.



- 2 Clean the filters.
- 3 Insert the clean filters back into the hood.
- 4 **Cancel the F in the display.**
  - Press the button F.

## Activated carbon filter

For neutralizing odours in recirculating mode.

### Caution:

As the filter becomes more and more saturated with grease, there is an increased risk of fire and the function of the extractor hood may be impaired.

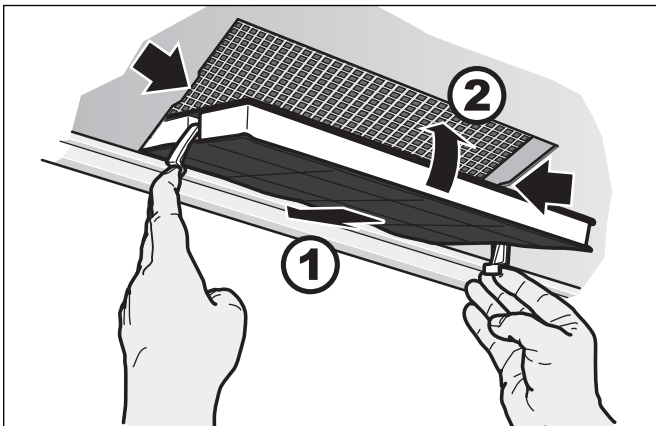
### Important:

Change the activated carbon filter promptly to prevent the risk of fire from the accumulation of heat when deep-fat frying or roasting.

### Installation and removal:

**IMPORTANT:** The lighting must be switched OFF and cool..

- 1 Remove the metal-mesh filters (see "Removing and inserting the metal-mesh grease filters").
- 2 Insert the activated carbon filter.



- 3 Insert the metal grease filters (see "Removing and inserting the metal grease filters").

### Replacing the activated carbon filter:

- During normal operation (1 to 2 hours per day) the activated carbon filters should be replaced approximately 1 x year.
- A replacement filter can be obtained from any authorized dealer (see optional accessories).
- **Use original filters only.**  
By doing so you will obtain maximum performance from your extractor hood.

### Disposing of the old activated carbon filter:

- There are no pollutants in the activated carbon filters. They can therefore be disposed of as part of your normal domestic refuse.

---

## Cleaning and care

---

**Isolate the extractor hood by pulling out the mains plug or switching off the fuse.**

**⚠** Do not clean the extractor hood with abrasive sponges or with cleaning agents which contain sand, soda, acid or chlorine!

- Clean the extractor hood with a hot soap solution or a mild window cleaner.

**Wichtig:** Es darf keine Flüssigkeit in den Schlitz für den Luftaustritt eindringen.

- Do not scrape off dried-on dirt but wipe off with a damp cloth.
- When cleaning the grease filters, remove grease deposits from accessible parts of the housing. This prevents the risk of fire and ensures that the extractor hood continues operating at maximum efficiency.

**⚠** Clean the operating buttons with a mild soapy solution and a soft, damp cloth only. Do not use stainless-steel cleaner to clean the operating buttons.

### **Stainless steel surfaces:**

- Use a mild non-abrasive stainless steel cleaner.
- Clean the surface in the same direction as it has been ground and polished.
- We recommend our stainless steel cleaner no. 461731. See enclosed service booklet for order address.

### **Aluminium, coated and plastic surfaces:**

- Do not use dry cloths.
- Use a mild window cleaning agent.
- Do not use aggressive, acidic or caustic cleaners.

**Observe the warranty regulations in the enclosed service booklet.**

---

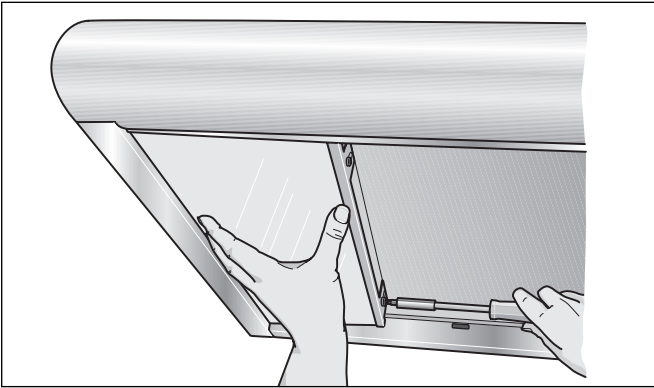
## Replacing the light bulbs

---

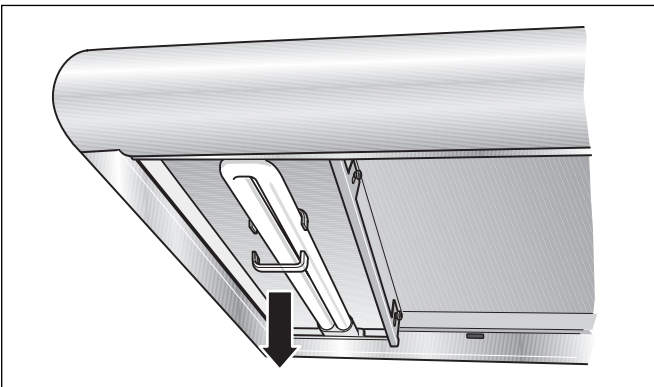
- 1 Switch the extractor hood off and isolate it by removing the mains plug or by switching off the fuse.

**⚠** When operating, the fluorescent light bulbs get very hot. Even after a while, there is still a risk of being burnt.

- 2 Remove the metal-mesh filters (see "Removing and inserting the metal-mesh grease filters").
- 3 Loosen the screws for the mounting rails..
- 4 Carefully remove the glass panes.

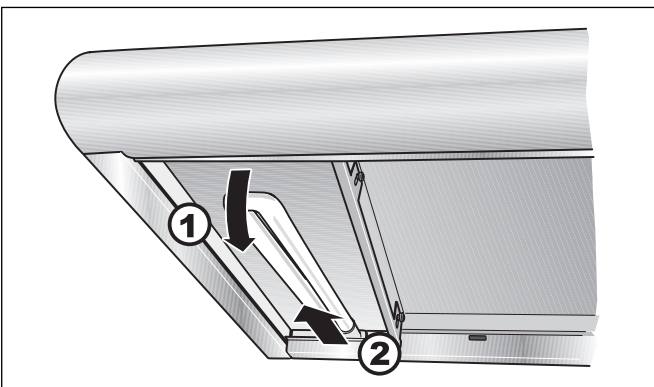


- 5 Remove the sockets for the fluorescent light bulbs.

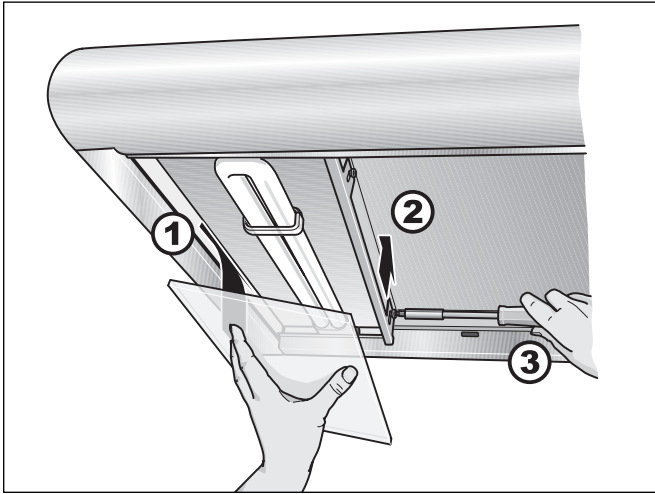


- 6 Replace the fluorescent light bulbs with new ones available commercially (36 W, 840 Cool White, socket 2 G 11).

**⚠** Risk of breakage!



- 7 Insert the sockets for the fluorescent light bulbs.
- 8 Carefully mount the glass panes.
- 9 Tighten the screws for the mounting rails.



- 10 Insert the metal grease filters (see "Removing and inserting the metal grease filters").
- 11 Restore the power by inserting the mains plug or switching on the fuse.

**Note:** If the light does not function, check that the bulbs have been inserted correctly.



---

## Important information

---

Old appliances are not worthless rubbish. Valuable raw materials can be reclaimed by recycling old appliances. Before disposing of your old appliance, render it unusable.

You received your new appliance in a protective shipping carton. All packaging materials are environmentally friendly and recyclable. Please contribute to a better environment by disposing of packaging materials in an environmentally-friendly manner.

Please ask your dealer or inquire at your local authority about current means of disposal.

The extractor hood can be used in exhaust air or circulating air mode.

Always mount the extractor hood over the centre of the hob.

Minimum distance between electric hob and bottom edge of extractor hood **600 mm**, Fig. 1.

The extractor hood must not be installed over a solid fuel cooker – a potential fire hazard (e.g. flying sparks) – unless the cooker features a **closed, non-removable cover** and all national regulations are observed.

The smaller the gap between the extractor hood and hotplates, the greater the likelihood that droplets will form on the underside of the extractor hood.

### Additional information concerning gas cookers:

When installing gas hotplates, comply with the relevant national statutory regulations (e.g. in Germany: Technische Regeln Gasinstallation TRGI).

Always comply with the currently valid regulations and installation instructions supplied by the gas appliance manufacturer.

Only one side of the extractor hood may be installed next to a high-sided unit or high wall. Gap at least 50 mm.

Minimum distance on gas hotplates between the upper edge of the trivet and lower edge of the extractor hood: **700 mm**, Fig. 1.

## Prior to installation

### Exhaust-air mode

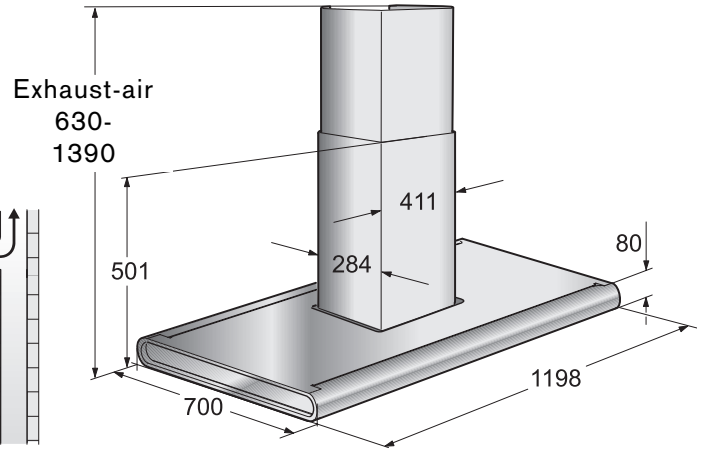
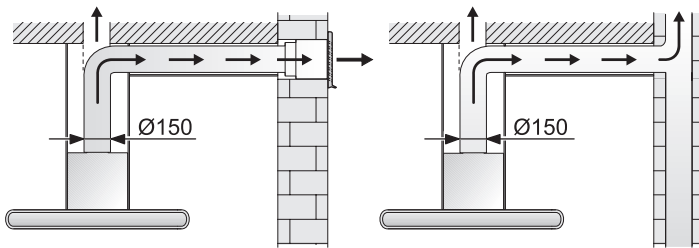
- Installation accessories for exhaust air mode.

Ventilation duct

**AD280/281-016** for ceiling heights of 2.27–2.44 m

**AD280/281-026** for ceiling heights of 2.44–2.76 m

**AD280/281-036** for ceiling heights of 2.76–2.98 m.



The exhaust air is discharged upwards through a ventilation shaft or directly through the outside wall into the open.

Exhaust air should neither be directed into a smoke or exhaust flue that is currently used for other purposes, nor into a shaft that is used for ventilating rooms in which stoves or fireplaces are also located.

**Exhaust air may be discharged in accordance with official and statutory regulations only (e.g. national building regulations).**

Local authority regulations must be observed when discharging air into smoke or exhaust flues that are not otherwise in use.

**When the extractor hood is operated in exhaust-air mode simultaneously with a different burner which also makes use of the same chimney** (such as gas, oil or coal-fired heaters, continuous-flow heaters, hot-water boilers) care must be taken to **ensure that there is an adequate supply of fresh air** which will be needed by the burner for combustion.

Safe operation is possible provided that the underpressure in the room where the burner is installed does not exceed 4 Pa (0.04 mbar).

This can be achieved if combustion air can flow through non-lockable openings, e.g. in doors, windows and via the air-intake/exhaust-air wall box or by other technical measures, such as reciprocal interlocking, etc.

**If the air intake is inadequate, there is a risk of poisoning from combustion gases which are drawn back into the room.**

An air-intake/exhaust-air wall box by itself is no guarantee that the limiting value will not be exceeded.

Note: When assessing the overall requirement, the combined ventilation system for the entire household must be taken into consideration. This rule does not apply to the use of cooking appliances, such as hobs and ovens.

Unrestricted operation is possible if the extractor hood is used in recirculating mode – with activated carbon filter.

**If the exhaust air is going to be discharged into the open**, a telescopic wall box should be fitted into the outside wall.



### For optimum extractor hood efficiency:

- Short, smooth air exhaust pipe.
- As few bends in the pipe as possible.
- Diameter of pipe to be as large as possible and no tight bends in pipe.

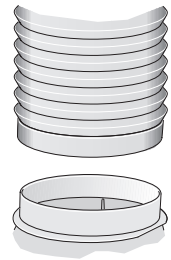
If long, rough exhaust-air pipes, many pipe bends or smaller pipe diameters are used, the air extraction rate will no longer be at an optimum level and there will be an increase in noise.

**⚠** The manufacturer of the extractor hoods accepts no liability for complaints which can be attributed to the design and layout of the pipework.

- **Round pipes:**  
We recommend  
Internal diameter: **150 mm**.
- **Flat ducts** must have an internal cross-section that equates to that of round pipes.  
**There should be no sharp bends.**  
Ø 150 mm approx. 177 cm<sup>2</sup>
- **If pipes have different diameters:** Insert sealing strip.
- **For exhaust-air mode,** ensure that there is an adequate supply of fresh air.

### Connecting a Ø 150 mm exhaust-air pipe:

- Mount the pipe directly onto the air outlet on the hood.



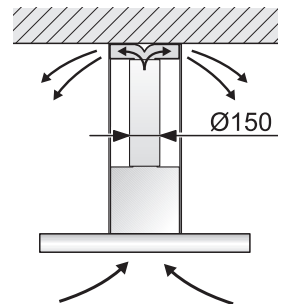
### Circulating-air mode

- **Installation accessories for circulating air mode.**

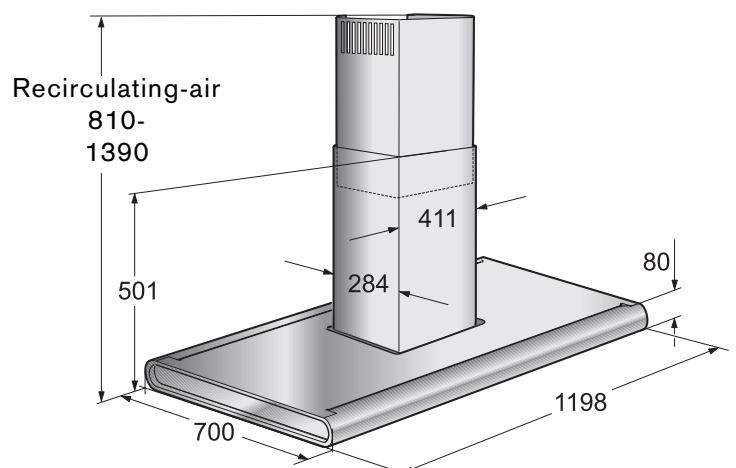
Ventilation duct

**AD280/281-126** for ceiling heights of 2.44–2.76 m

**AD280/281-136** for ceiling heights of 2.76–2.98 m.



- With activated carbon filter if exhaust-air mode is not possible.



---

## Electrical connection

---

### Preparing the ceiling

- The wall must be flat and horizontal.
- Make sure that the ceiling can bear the applied loads.
- The provided screws and wall plugs are suitable for solid masonry. On all other wall types (e.g. plasterboard, porous concrete, Poroton bricks) use the appropriate fasteners.
- Ensure that the ceiling is capable of providing a firm hold for mounting screws and plugs.

### Weight in kg:

Exhaust-air	Recirculating air
42,5	44,5

We reserve the right to construction changes within the context of technical development.

### WARNING: THIS APPLIANCE MUST BE EARTHED

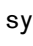
#### IMPORTANT: Fitting a Different Plug:

The wires in the mains lead are coloured in accordance with the following code:

Green and Yellow	- Earth
Blue	- Neutral
Brown	- Live

If you fit your own plug, the colours of these wires may not correspond with the identifying marks on the plug terminals.

This is what you have to do:

- 1 Connect the green and yellow (Earth) wire to the terminal in the plug marked 'E' or with the symbol (  ), or coloured green or green and yellow.
- 2 Connect the blue (Neutral) wire to the terminal in the plug marked 'N' or coloured black.
- 3 Connect the brown (Live) wire to the terminal marked 'L', or coloured red.

**The extractor hood should only be connected to an earthed socket that has been installed according to relevant regulations.**


If possible, site the earthed socket directly behind the chimney panelling.

- The earthed socket should be connected via its own circuit.
- If the earthed socket is no longer accessible following installation of the extractor hood, ensure that there is a permanently installed disconnecter.

#### **If it is necessary to wire the extractor hood directly into the mains:**


The extractor hood should only be connected to the electricity supply by a properly qualified electrician.

A separator must be installed in the household circuit. A suitable separator is a switch that has a contact gap of more than 3 mm and interrupts all poles. Such devices include circuit breakers and contactors.

 If the connecting cable for this appliance is damaged, the cable must be replaced by the manufacturer or his customer service or a similarly qualified person in order to prevent serious injury to the user.

## Electrical data

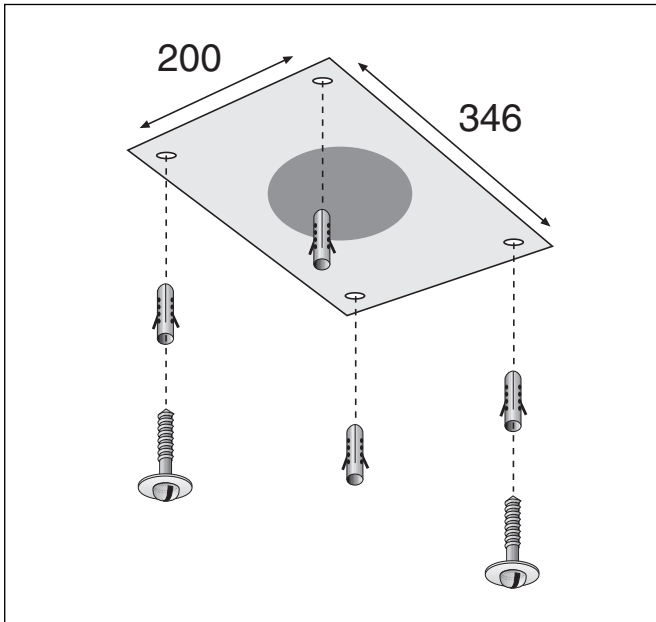
Are to be found on the name plate inside the appliance after removal of the filter frame.

 **Before undertaking any repairs**, always disconnect the extractor hood from the electricity supply.

**Length of the connecting cable: 1.30 m.**

This extractor hood corresponds to EC regulations concerning RF interference suppression..

## Installation



### Note:

the extractor hood is to be installed to a kitchen ceiling or suspended ceiling. Ensure that the ceiling is capable of providing a firm hold for a maximum weight of hood and accessories of 45 kg.

Before marking the securing holes, make sure that no electricity wires or water pipes or other wires/pipes are laid at the drilling points in the ceiling.

Before installation check the enclosed wall plugs and screws are suitable for your ceiling. If necessary use special wall plugs.

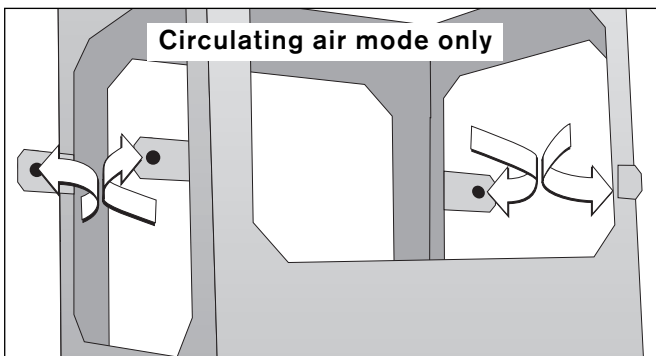
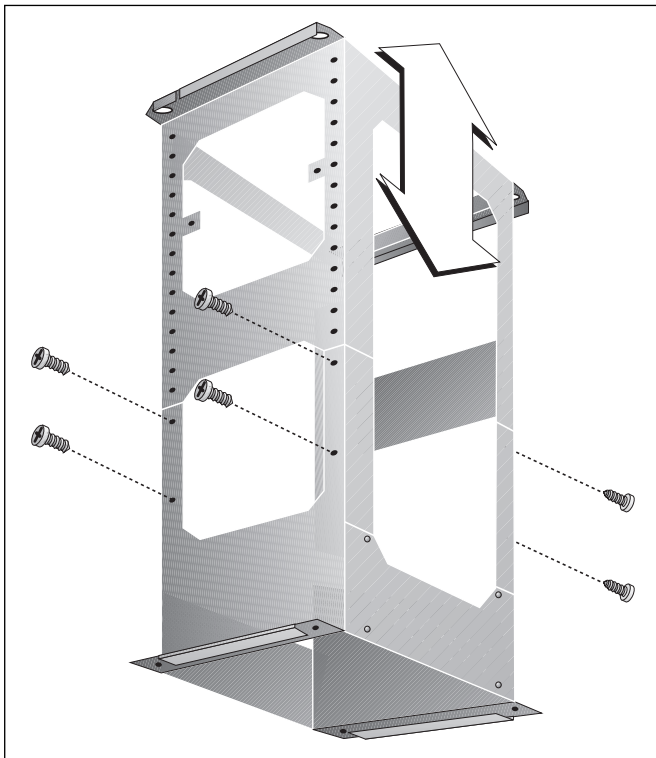
### Installation of the extractor hood:

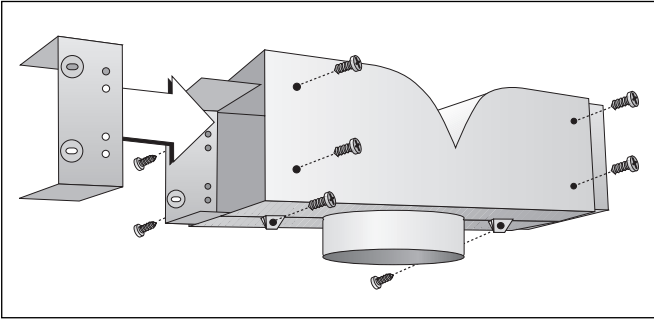
- 1 Using the drilling template mark the position of the screws on the ceiling.
- 2 Drill 4 holes  $\varnothing$  8 mm for the wall plugs. Push the plugs flush with the ceiling.
- 3 Turn two screws to a 10 mm gap. Both screws are placed in a position, in which at a later stage of the installation the key-holes of the supporting frame are found (namely back left and front right from the control panel of the hood).
- 4 Adjust the support frame to the desired height and secure with 8 screws (12 screws for the longer ventilation ducts). The length of the support frame can be adjusted in steps of 20 mm.

### Note:

ensure that the minimum distance between the hob and the extractor hood is maintained - **600 mm** for an electric hob and **700 mm** for a gas hob.

**Circulating air mode only:** there are four brackets, which fix the circulating air switch module to the top of the support frame. These should be bent outward in a 90° angle.

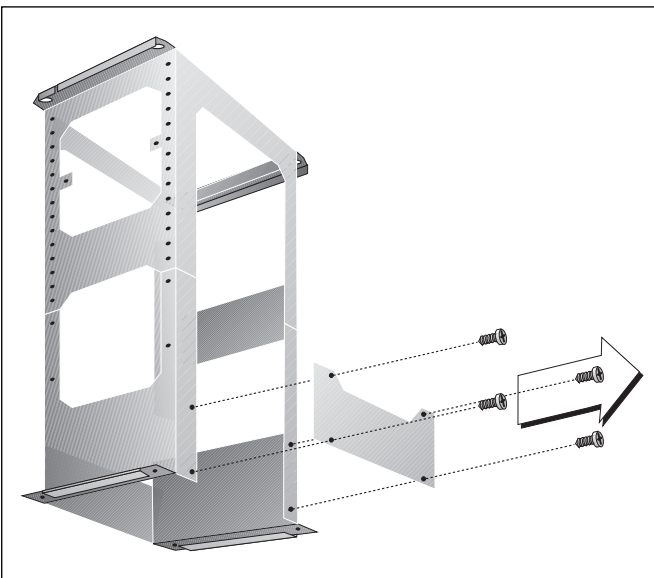
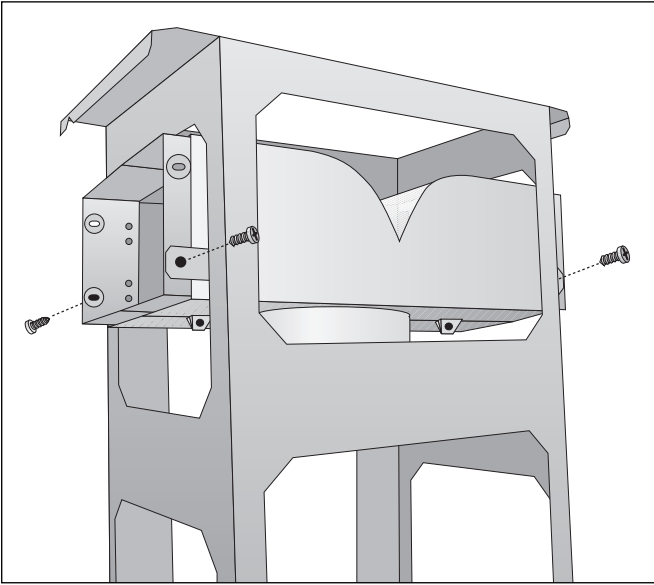


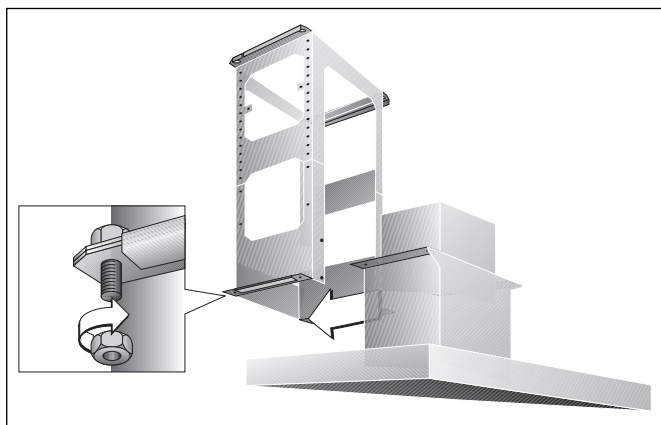


- 5 Hang the support frame with the two key-holes to the two screws in the ceiling and attach it with all 4 screws to the ceiling.

**Circulating air mode only:** assemble the circulating air switch module and fix it to support frame. Cut the flexible air pipe to the required length and fix it to the extractor hood.

- 6 Remove the cover plate from the rear of the support frame.





**7** Slide the extractor hood into the on the side of the support frame (Note: take care not to trap the mains connecting cable) and **immediately secure the hood with 4 screws.**

**8** Screw the cover plate back on the rear of the support frame. The cover plate is important for the stability of the frame.

**9** Connect the air outlet pipe to the extractor hood and to the exhaust air pipe on the ceiling (to the circulating air switch module for circulating air mode).

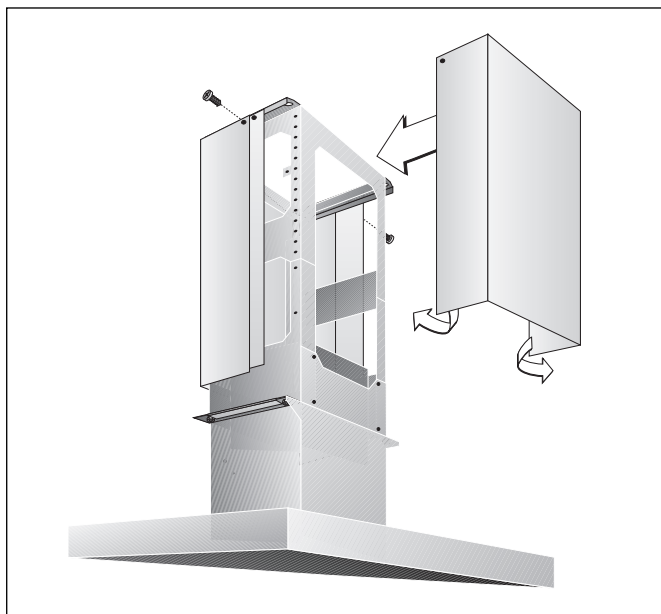
**10** Establish the electrical connection.

**11** Pull the protective film off the chimney's trims (if applicable).

**12 Avoid damaging the sensitive surfaces when installing the ventilation ducts.**

**13** Secure the top chimney duct unit which has no magnetic strips with 2 screws on the top of the support frame.

**14** The second top chimney duct (which has magnetic strips) should be slightly bent open, in order to slide over the first chimney duct easily. Adjust (leave no gap) and fix with 2 screws to the top of the support frame.

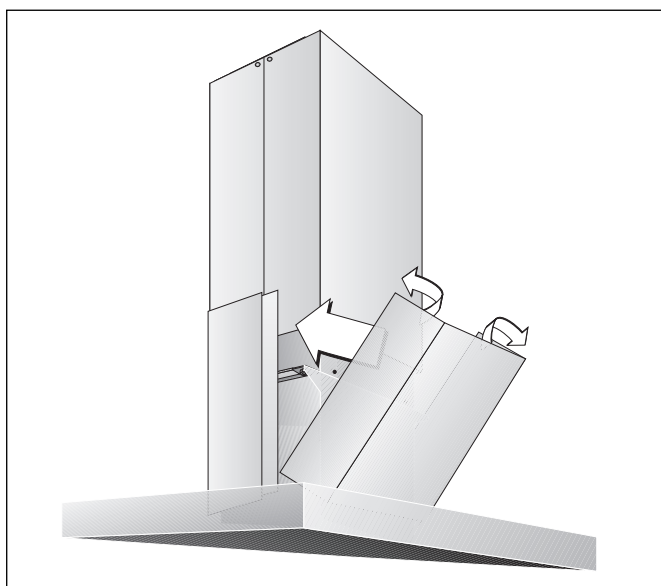


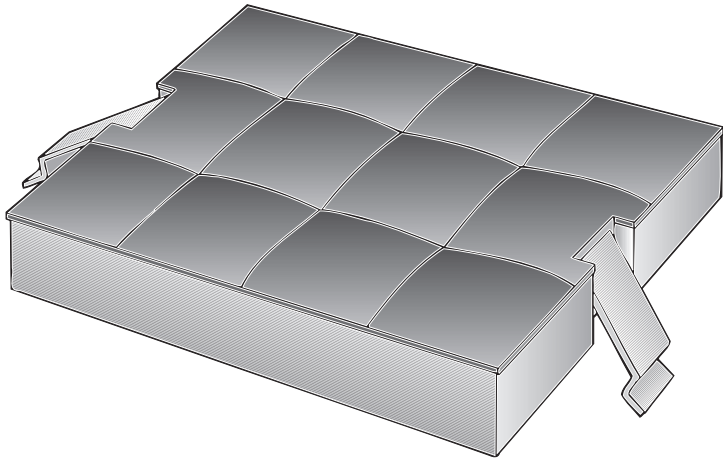
**15** Place the bottom chimney duct unit which has no magnetic strips on the extractor hood. The second bottom chimney duct (which has magnetic strips) should be slightly bent open, in order to slide over the first chimney duct easily. Adjust to leave no gap.

**16 Circulating air mode only:** insert the activated charcoal filter (see page 11). The activated charcoal filter is not supplied with the appliance.

**17** Test that the appliance functions correctly.

**Note:** only dismantle the chimney ducts by hand. Do not use a tool, this might damage the ventilation ducts.





**KF001-010**

**Gaggenau Hausgeräte GmbH**  
Carl-Wery-Straße 34  
D-81739 München  
[www.gaggenau.com](http://www.gaggenau.com)

9000260298 EB 8710 en

**GAGGENAU**