

Instructions for use

English

Page	Chapter
3	About this document
3	Safety instructions
4	Technical data
4	Description of the unit
4	Functional principle
4	Unpacking the unit
4	Putting the unit into operation
5	Switching the unit on and off
5	Cleaning and servicing the unit
6	Transporting the unit
6	Storing the unit
6	Disposing of the unit
6	Spare parts and accessories
6	Frequently asked questions
7	General information about air humidification
7	Troubleshooting

About this document

These instructions for use is a component of the product and describe its safe use. The instructions for use apply exclusively to the product described within.

- Read through the instructions thoroughly prior to putting the unit into operation.
- Save the instructions for use throughout the lifespan of the product.
- Pass the instructions for use on to each successive owner or operator of the product and include any supplements received from the manufacturer.
- The manufacturer disclaims all liability for damage resulting from the non-compliance with these instructions for use.

Intended use

The unit is only intended to humidify the air in living areas up to 120 m³. In larger rooms, optimum air moisture (50 % relative air moisture) may not be able to be reached. The unit may not be used for other purposes. No foreign objects may be put into the unit. The unit may only be used for the purposes described in these instructions for use.

Warranty

Warranty stipulations are determined by our national representation. Contact the dealer the unit was purchased from if there is a problem with the unit. It is absolutely necessary to present proof of purchase for warranty validation.

CE conformity and applicable guidelines

The unit is CE compliant and adheres to the following guidelines:

- 2006/95/EG for electric safety
- 2004/108/EG for electromagnetic compatibility
- 2002/95/EG for the restriction of the use of certain hazardous substances in electrical and electronic equipment
- 2002/96/EG concerning waste electrical and electronic equipment

Warnings and symbols in this document



In this document, warnings are used to prevent injuries and material damage. They are set up follows:

WARNING LEVEL

Cause and result of the danger

- ▶ Precautions to prevent danger

There are the following warning levels:

Warning level	Description
 WARNING	Possible danger. Non-observance could result in death or serious injury.
 CAUTION	Dangerous situation. Non-observance could result in slight injury.
CAUTION	Critical situation. Non-observance could result in material damage.

In this document, the following symbols are used to facilitate fast access to information:

Symbol	Description
✓	Condition which must be met before beginning an action.
▶	Action with one or more step(s) whose order is not relevant.
1. 2.	Action with several steps whose order is relevant.
•	Listing of first level
-	Listing of second level
↪	Result of one or more actions
(see...)	Reference to a chapter or a drawing
i	Important information
A 1	Reference to an item number in a drawing e.g. item number 1 in drawing A

Safety instructions

- Read these instructions for use thoroughly prior to using the unit and store them in a safe place.
- Those unfamiliar with the instructions for use as well as children and people under the influence of medicine, alcohol or drugs may not operate the unit.
- The unit may only be operated for its intended use and within the specified technical data. Unintended use can be a danger to health or life.
- **A 1** Children cannot recognize the danger in handling electric appliances. Therefore always supervise children who are near the unit.
- Do not use the unit in rooms in which there are flammable goods, gases or vapors.
- Do not alter the unit or put foreign objects into the unit.

When using electricity, electrical shock poses a danger to life. Observe the following precautions:

- Do not place the unit in the rain.
- Do not use the unit in rooms with relative air moisture of more than 70 %.

- Unplug the power plug when not in use.
- **A 2** Never pull the power plug out of the electrical socket by the cord.
- **A 3** Never pull the power plug out of or plug it into the electrical socket with wet hands.
- **A 4** Only plug the unit into an AC supply.
- **B 14** Operate the unit only at the voltage according to the rating plate on the unit.
- Do **not** operate the unit:
 - **A 5** if cord or plug are damaged.
 - following a malfunction.
 - **A 6** if it has fallen down or has been otherwise damaged.
- **A 7** Repairs to electric appliances can only be carried out by specialists. A faulty power cord may only be repaired/replaced by a specialist.
- Unplug the power plug from the electrical socket in the following cases:
 - each time before emptying the unit,
 - before each cleaning,
 - before each replacement of the evaporator wick or the Ionic Silver Stick[®],
 - before installing/uninstalling individual components,
 - before taking off the upper part,
 - before each move of the unit.
- **A 8** Never submerge the lower part with the electrical part and fan in water or other liquids or rinse it off with water or other liquids.

Observe the following precautions to prevent injury:

- **A 9** Place the unit in such a way that you do not trip over the cord.
- Place the unit in such a way that it cannot be knocked over.
- **A 10** Do not get the cord stuck in the door or clamp it with other objects.
- Do not cover the cord.

Observe the following precautions to prevent material damage:

- **A 11** Do not sit on the unit or place any objects on it.
- **A 12** Only place the unit on a flat, dry surface.
- The unit's air inlet and air outlet must be kept clear.
- Only use clean containers for filling the unit.
- Ensure that the watering can has not been filled with fertilizer or similar substances.
- Do not fill additives into the unit or the water base.
- Do **not** use water additives (e.g. essential oils, fragrances, water conditioners). The material is not suitable for the use as additives.
- Operate the unit only when fully assembled and completely operational.

Technical data	
	Value
Electrical voltage	230 V/50 Hz
Power consumption	20 W
Humidity output	up to 220 g/h
Suitable for rooms	up to 40 m ²
Water capacity	max. 3.8 l
	min. 0.2 l
Dimensions LxWxH	320 x 320 x 400 mm
Weight (empty)	3.8 kg
Operation noise level	< 25 dB(A)

Description of the unit

The unit consists of the following components:

- **B 1** Filling opening
- **B 2** Top assembly
- **B 3** Float assembly (B 16–19)
- **B 4** Ionic Silver Stick® (ISS)
- **B 5** Water base (B 5–7)
- **B 6** Water capacity fill line
- **B 7** Base handles
- **B 8** Spout
- **B 9** Lifecycle indicator for the Ionic Silver Stick® (ISS)
- **B 10** Power cord/plug
- **B 11** Base (B 11–14)
- **B 12** Fan
- **B 13** Slide switch (B 20–21)
- **B 14** Power rating plate (on the underside of the unit)

The float assembly consists of the following parts:

- **B 15** Float tip
- **B 16** Water level indicator ring (max. 3.8 l)
- **B 17** Evaporator wick A7018
- **B 18** Float basket
- **B 19** Float body (styrofoam)

The slide switch consists of the following parts:

- **B 20** Slide switch
- **B 21** Operating light

Operating modes

The following operating modes can be set on the slide switch:

Position	Function
0	The unit is switched off
I	The unit is operating in night mode (low noise level)
	The operating light turns green
II	The unit is operating in normal mode (maximum humidity output)
	The operating light turns green

Operating light

The operating light illuminates green as soon as the unit is switched on. If the water base is taken off the base, the green LED changes to red and unit operation is interrupted, but the unit is not currentless. Only when the water base is returned to the base does the red LED turn green again and the unit resumes operation.

Power rating plate

B 14 The following information is displayed on the power rating plate:

- Product name
- Electrical voltage
- Power consumption
- Protection class
- Production number
- Production date

i Mark of conformity The data on the power rating plate in the illustrations is only exemplary. Please check the data on the power rating plate of your unit.

Functional principle

When filling the unit, the float switch is lifted with the water gauge. When the water gauge reaches the water capacity fill line, the float tip closes the filling opening of the unit. The evaporator wick soaks up water. The fan pushes the dry room air through the moist mat and emits it as sufficiently moisturized air. Through the directed guiding of the airflow, nearly constant humidification is possible at every water level. Therefore the unit creates optimum air moisture, without additional control units being necessary.

Ionic Silver Stick® for water quality maintenance

B 4 The specially adapted anti-microbial protection system Ionic Silver Stick® prevents microbial growth in the water in the water base. Therefore no chemical additives are necessary for water quality maintenance.

The Ionic Silver Stick® is self-renewing, service free and can be used for a year.

Lifecycle indicator

B 9 The unit is equipped with a lifecycle indicator for the Ionic Silver Stick®. Please cross off the current month on the label and write the current year on the line provided.

Unpacking the unit

i At delivery the unit is completely assembled and already equipped with an evaporator wick.

i The float body (styrofoam) is a component of the float assembly and does not belong to the packaging.

CAUTION

Risk of injury by falling parts!

- ▶ Always handle the unit by the base when unpacking and lifting.

CAUTION

Damage to the unit due to removal of the float body (styrofoam)!

- ▶ Do not remove the float body (styrofoam) when unpacking the unit.

1. Open the packaging.
 2. **C 1** Remove the upper part of the styrofoam packaging.
 3. **C 2** Reach into the filling opening and grasp the upper end of the plastic bag securely.
 4. **C 3** Carefully pull the plastic bag with the unit out of the packaging. When doing so, grasp the plastic bag securely and do not let go of the plastic bag when removing.
 5. **C 5** Place the plastic bag with the unit on the floor and push the plastic bag down along the unit.
 6. **C 6** Hold the unit by the base and lift up out of the plastic bag.
- ↪ All packaging components as well as the plastic bag are removed from the unit.
7. **B 14** Check data regarding the power supply on the power rating plate.
 8. **B** Check that all components of the unit are included.

Putting the unit into operation

Positioning the unit

CAUTION

Damage to the plastic due to high temperatures!

- ▶ Do not expose the unit to temperatures > 50 °C.

Observe the following pointers when positioning the unit:

- **A 14** Remember to ensure easy accessibility and sufficient room for servicing and cleaning the unit.
- Only operate the unit when it is filled!

1. Place the unit on the floor or on a flat, dry surface in the room.
2. Fill the unit (see chapter "Filling the unit").

Filling the unit

There are the following possibilities for filling the unit with water:

- using the filling opening on the upper part or
- directly into the removed water base from a faucet.

- ✓ There are no foreign objects in the unit.
- ✓ **B** The unit is assembled properly.

i After an extended period of disuse, the unit should be emptied and cleaned. Before re-commissioning, ensure that the unit is clean. Otherwise an unpleasant odor can result.

CAUTION

Damage to and cracks in the plastic caused by additives in the water!

- ▶ Do not put any additives (e.g. essential oils or other fragrances) into the water.
- ▶ Ensure that there are no water-soluble additives (e.g. plant fertilizer) in a container before using it to fill the unit.

CAUTION

Water damage due to overfilling!

- ▶ When filling, do not exceed the maximum filling capacity of 3.8 l, indicated by the filling level line.

Filling the unit at the filling opening:

1. **D 1** Fill the unit with a clean container (e.g. a jar or a watering can).
 2. **D 2** Pour fresh, cold water into the filling opening of the upper part with a clean container.
 3. **D 3** Stop filling the unit as soon as the water level indicator ring of the float appears in the filling opening.
- The unit is filled with water and can be switched on.

Filling the unit at the water base:

- ✓ **E 1** The unit is switched off and the power plug is unplugged (see chapter "Switching the unit on and off").

1. **E 2** Lift the upper part from the base.
 2. **E 3** Lift the water base including the float assembly by the base handles.
 3. **E 4** Fill fresh, cold water directly into the water base.
 4. **E 4** Only pour water in until the maximum water capacity fill line on the inner side of the water base is reached.
 5. Place the filled water base including the float assembly onto the base.
 6. Place the upper part on the base.
- The unit is filled with water and can be switched on.

Switching the unit on and off

i If the unit is put into operation with an empty water base or if the water base goes empty during operation, the evaporator wick dries out, no evaporation is generated and an unpleasant odor can result.

- ✓ The unit is filled with water.
1. Plug the power plug into the electrical socket.
 2. Set the slide switch to position I or position II according to your needs (see chapter "Operating modes").
- The unit is switched on.

1. Set the slide switch to position 0.



WARNING

Danger to life through electrical shock!

- ▶ Do not unplug the unit from the electrical socket with wet hands.

2. **E 1** Unplug the power plug.
→ The unit is switched off and currentless.

Cleaning and servicing the unit

With increasing operating time, the air throughput and evaporator performance of the evaporator wick decrease. Therefore, regular maintenance and cleaning of the unit is a requirement for smooth and trouble-free operation.

CAUTION

Damage to the plastic due to unsuitable cleaning agents!

- ▶ Do not use acidic cleaning agents.
- ▶ Wipe the unit with a damp cloth.

Cleaning and servicing intervals

Recommended cleaning and servicing intervals depend on air and water quality as well as actual operating time.

Interval	Activity
once a day	Check water level, if necessary, refill water (see chapter "Filling the unit")
1 week or more without operation	Empty and clean the unit (see chapter "Taking apart and emptying the unit")
every 2 weeks	Clean water base (see chapter "Cleaning the water base")
every 10–12 weeks (or as needed)	Replace the evaporator wick (see chapter "Replacing the evaporator wick")
1–2 times a year	Clean the fan (see chapter "Cleaning the fan")
once a year	Replace Ionic Silver Stick® (see chapter "Replacing the Ionic Silver Stick®")

Taking apart and emptying the unit

The unit can easily be taken apart for cleaning.



WARNING

Danger to life through electrical shock!

- ▶ Do not unplug the unit from the electrical socket with wet hands.

- ✓ **F 1** The unit is switched off and the power plug is unplugged

1. **F 3** Lift the upper part from the base.
2. **F 4** Remove the water base including float assembly using the provided base handles.
3. **F 5** Empty the residual water from the water base using the spout.
4. **F 6** Remove the float assembly from the empty water base.



WARNING

Danger to life through electrical shock!

- ▶ Do not empty water over the electrical part.

5. If water is in the base: Empty and dry the base.
→ The unit is taken apart and emptied from water.

Cleaning the water base

- ✓ Unit is taken apart and emptied from water



WARNING

Danger to life through electrical shock!

- ▶ Unplug the power plug prior to cleaning.
- ▶ Never submerge the base with the electrical part and the fan in water.

1. **G 1** Rinse out the water base with lukewarm water.
2. **G 2** For more thorough cleaning, clean the water base with a commercial dish brush.
3. To decalcify the water base, use the recommended decalcification agent (see chapter "Spare parts and accessories").
4. Dry the parts after cleaning.
5. Insert the float assembly into the empty water base.
6. Put the unit together (see chapter "Putting the unit together").

Cleaning the fan

- ✓ Unit is taken apart and emptied from water.

1. **G 3** Wipe off the fan with a slightly damp cloth or cleaning rag.
2. Dry the parts after cleaning.
3. Put the unit together (see chapter "Putting the unit together").

Replacing the evaporator wick

The evaporator wick should be replaced in the case of heavy pollution, calcification, unpleasant odor, reduced air throughput, etc. Evaporator wicks are available from the specialty retailer where you purchased the unit.

- ✓ Unit is taken apart and emptied from water.

i Only use the manufacturer's original evaporator wicks (see chapter "Spare parts and accessories").

CAUTION

Damage to the damp evaporator wick due to rinsing or wringing!

- ▶ Do not rinse or wring out the evaporator wick.

1. **H 1** To open the float assembly, turn the float tip counter-clockwise (OPEN arrow) and pull up.
2. **H 2** Pull the used evaporator wick up and out of the float basket and discard it.

CAUTION

Damage to the unit due to removal of the float body (styrofoam)!

- ▶ Do not remove the float body (styrofoam) when unpacking the unit.

3. **H 3** Push the new evaporator wick onto the float basket.
4. **H 4** To close the float assembly, place the float tip on the float basket and the evaporator wick, push down and turn clockwise (CLOSE arrow).
5. To check, gently pull the float tip upwards. In doing so, it should not lift off the float basket.
6. If necessary, turn the float tip again and re-check.
7. Insert the float assembly into the empty water base.
8. Put the unit together (see chapter "Putting the unit together").

Replacing the Ionic Silver Stick®

- ✓ Unit is taken apart and emptied from water.

1. Remove the Ionic Silver Stick® from the bottom of the water base and discard it.
2. Place the new Ionic Silver Stick® in the holder at the bottom of the water base.
3. Insert the float assembly into the empty water base.
4. Put the unit together (see chapter "Putting the unit together").

Putting the unit together

- ✓ Unit is taken apart and emptied from water.

1. Insert the float assembly into the water base.
 2. **B 5** Place the water base including the float assembly on the base handles into the base.
 3. Place the upper part onto the base.
 4. **B** Ensure that the unit is put together correctly.
 5. Ensure that there are no foreign objects in the unit.
- ↳ The unit is put together.

Transporting the unit

CAUTION

Risk of injury by falling parts!

- ▶ Always handle the unit by the base when unpacking and lifting.

CAUTION

Water damage due to water spilling over!

- ▶ Empty the unit before transporting.

1. Empty the unit (see chapter "Taking apart and emptying the unit").
2. Dry the unit.
3. Pick the unit up by the base and carry it to the desired location.

Storing the unit

1. Clean the unit (see chapter "Cleaning and servicing the unit").
2. Dry the unit.
3. Pack the unit, preferably in the original packaging.
4. Store the unit in a dry, cool place.

Disposing of the unit

Pass the outdated unit onto a specialized retailer for professional disposal. Observe the applicable national specifications when disposing of the unit. You can find out about further disposal possibilities from your municipality.

Spare parts and accessories

You can purchase spare parts and accessories from specialized retailers and replace them on the unit yourself. Only original parts from the manufacturer can be used. Repairs can only be carried out by professionals. This also applies to a faulty power cord.

Accessories	Designation
Evaporator wick	A7018
Ionic Silver Stick®	A7017
Decalcification agent	A7417

Frequently asked questions

Q. Why is the air moisture too low in my room?

- A. How often do you use the unit? If the unit is only in operation at night, the air moisture decreases during the day as moisture is not being added to the air constantly.

- A. Wood, leather, carpeting, curtains and other materials absorb a lot of moisture, resulting in a decrease in air moisture.

If the window is open, moisture can escape from the room.

A common reason is that the unit is placed next to a heater in order to disperse the moisture quickly throughout the room with the hot air. However, this does not work. The escaping hot air absorbs the majority of the moisture before reaching the room air at all.

Q. Should I leave my door open or closed while the unit is in operation?

- A. With an open door, the moisture escapes the room and disperses itself in other areas of the house. If you want to increase the air moisture in a certain room, you should make sure that the door to that room remains closed while the unit is in operation.

Q. How high should the air moisture be in my room?

- A. Air moisture of 40–60% is recommended.

Q. What are the consequences of too low or too high air moisture?

- A. Dry air can lead to dry skin, electrostatic charges, out of tune musical instruments, increased dust development, damage to wooden items (drying out and cracking), illness, disease and drying out the nasal mucous membranes. Too high air moisture can result in mold development and wall paper falling off.

Q. Why do I need an Evaporator if I could also simply open the window?

- A. The air moisture in the outside air is not high enough to moisturize a room.

Q. Where should I place my Evaporator?

- A. The unit should be placed in the middle of the room and not at a wall, a window, a door or a thermal bridge so that the air can circulate freely around the unit.

Q. Is it a problem if my unit runs dry?

- A. If there is a possibility of the unit running dry, e.g. when you cannot refill the water, switch the unit off before leaving the room. Without water, the unit cannot moisturize the air, which can lead to an unpleasant odor.

Q. Can the unit be used through the entire year?

- A. Yes, you can use the unit the whole year. The unit creates relative air moisture until the room air is saturated. Thus the unit cannot make the air "too moist".

Q. Can I clean the water base in the dishwasher?

- A. No, you cannot clean the water base in the dishwasher as it would otherwise melt.

General information about air humidification

Did you know that air that is too dry

- dries out mucous membranes and additionally causes chapped lips and stinging eyes?
- promotes infections and sicknesses of the respiratory passages?
- leads to a lack of energy, exhaustion and concentration weakness?
- burdens pets and room plants?
- encourages dust development and the electrostatic charge of synthetic textiles, carpets and synthetic flooring?
- damages wooden fixtures, especially hardwood floors?
- puts musical instruments out of tune?

The physical comfort of man and animal is dependent on many influences. One of those is correctly humidified air. During the heating period, the cold outside area which streams into living spaces through the windows is warmed. This results in a plummet in the relative air moisture. An adverse climate for plants and animals, wooden objects and furniture dry out and people feel uncomfortable and are susceptible to colds in higher numbers. As a rule, room climate is comfortable when the relative moisture is between 40% and 60%. Air humidification is especially useful in the winter.

Troubleshooting

i Repairs to electric appliances can only be carried out by specialists. Through improper repairs, considerable danger for the operator can result and warranty claims lapse.

WARNING

Danger to life through electrical shock!

- ▶ Do not carry out any repairs on electrical parts.

Fault	Cause	Solution
The unit is not working.	Power plug is not plugged in.	▶ Plug in the power plug and switch the unit on.
	Water base was not inserted when putting the unit together.	▶ Insert the water base (see chapter "Putting the unit together").
Grinding noises	Water base not inserted correctly.	▶ Insert the water base correctly (see chapter "Putting the unit together").
No air humidification	No water in the water base.	▶ Fill the water base (see chapter "Filling the unit").
	Calcified evaporator wick.	▶ Replace the evaporator wick (see chapter "Replacing the evaporator wick").
Water level indicator ring with fill level ring not visible when filling.	Unit component forgotten when putting unit together.	▶ Unplug the power plug. ▶ Check if the unit is put together correctly (drawing B).
	Unit put together incorrectly.	
Unit is losing water.	Unit was overfilled.	▶ Empty the water (see chapter "Taking apart the unit"). ▶ Dry the unit. In doing so, wipe up water that has leaked.
	A unit component was forgotten when putting it together.	▶ Unplug the power plug. ▶ Check if the unit is put together correctly (drawing B).
	Unit put together incorrectly.	
Unit emits a bad odor.	Unit is not filled in operation.	▶ Fill the unit (see chapter "Filling the unit").
	Evaporator wick is dirty.	▶ Replace the evaporator wick (see chapter "Replacing the evaporator wick").

Инструкция по эксплуатации Русский

Страница	Глава
8	Общие сведения
8	Техника безопасности
9	Технические данные
9	Описание прибора
9	Принцип функционирования
9	Распаковка прибора
10	Включение прибора
10	Включение и выключение прибора
10	Чистка прибора и уход за ним
11	Транспортировка прибора
11	Хранение прибора
11	Утилизация прибора
11	Запасные части и принадлежности
12	Часто задаваемые вопросы
12	Общая информация об увлажнении воздуха
13	Устранение неполадок

Общие сведения

Эта инструкция по эксплуатации является частью прибора и описывает условия его надежной эксплуатации. Инструкция по эксплуатации действительна исключительно для описанного здесь прибора.

- Полностью прочитайте инструкцию по эксплуатации перед включением прибора.
- Храните инструкцию по эксплуатации в течение всего срока службы прибора.
- Передавайте инструкцию по эксплуатации каждому следующему владельцу и пользователю прибора, прилагая к ней полученные от изготовителя дополнения.
- Изготовитель не несет ответственности за ущерб, возникший вследствие несоблюдения указаний инструкции по эксплуатации.

Использование по назначению

Прибор служит исключительно для того, чтобы увлажнять воздух в жилых помещениях до 120 м³. В помещениях большего объема оптимальная влажность воздуха (50 % относительной влажности воздуха) может не обеспечиваться. Прибор нельзя использовать в других целях. В прибор нельзя вставлять посторонние предметы. Прибор может использоваться только в описанных в инструкции по эксплуатации целях.

Гарантийное обслуживание

Условия гарантийного обслуживания определены нашим представительством в стране. В случае неполадок обратитесь в сервисный центр. Для получения гарантийных услуг обязательно предъявите чек о покупке и гарантийный талон с печатью продавца.

Соответствие стандартам

Прибор соответствует стандартам CE и следующим предписаниям:

- 2006/95/EG по электрической безопасности
- 2004/108/EG по электромагнитной совместимости
- 2002/95/EG по ограничению использования определенных опасных веществ в электрических и электронных приборах
- 2002/96/EG о старых электрических и электронных приборах

Условные обозначения



Инструкция содержит предупреждения во избежание возможного травмирования и материального ущерба. Они построены следующим образом:

СТЕПЕНЬ ПРЕДУПРЕЖДЕНИЯ

Причина и последствие опасности


- Мероприятие по устранению опасности

Существуют следующие степени предупреждения:

Степень предупреждения	Описание
 ПРЕДУПРЕЖДЕНИЕ	Серьезная опасность. В случае невыполнения указаний возможны смертельные или тяжелые травмы.
 ОСТОРОЖНО	Опасная ситуация. В случае невыполнения указаний можно получить незначительные травмы.
ОСТОРОЖНО	Критическая ситуация. Невыполнение указаний может привести к материальному ущербу.

В этом документе используются следующие символы, которые обращают внимание на информацию:

Символ	Описание
✓	Условие, которое должно быть выполнено перед началом действия.
►	Действие из одного шага или нескольких шагов, последовательность которых не имеет значения.
1. 2.	Действие из нескольких шагов, последовательность которых имеет значение.
•	Перечисление первого уровня

Символ	Описание
-	Перечисление второго уровня
↪	Результат одного или нескольких действий
(см...)	Ссылка на главу или рисунок
	Важная информация
A 1	Ссылка на номер позиции на рисунке, напр., номер позиции 1 на рис. А

Техника безопасности

- Перед использованием прибора прочитайте эту инструкцию по эксплуатации, хранить ее в надежном месте.
- Лица, которые незнакомы с инструкцией по эксплуатации, а также дети и лица, пребывающие под воздействием лекарств, алкоголя или наркотиков, не должны включать прибор.
- Используйте прибор только по назначению и в соответствии с техническими данными из спецификации. Применение не по назначению может привести к опасности для здоровья и жизни.
- **A 1** Дети могут не понимать опасности при обращении с электроприборами. Поэтому всегда следите за детьми, если они находятся вблизи прибора.
- Не используйте прибор в помещениях, в которых имеются пожароопасные предметы, газы или пар.
- Не вносите в прибор изменений и не вставляйте в него посторонние предметы.

При обращении с электричеством существует опасность для жизни вследствие поражения током. Для предотвращения этой опасности следуйте приведенным ниже указаниям:

- Прибор не должен находиться под дождем.
- Не используйте прибор в помещениях с относительной влажностью воздуха > 70 %.
- Если прибор не используется, выньте штепсельную вилку из розетки.
- **A 2** Вынимая штепсельную вилку из розетки, никогда не тяните вилку за кабель.
- **A 3** Не вынимайте штепсельную вилку из розетки и не вставляйте ее в розетку мокрыми руками.
- **A 4** Подключайте прибор только к сети переменного тока.
- **B 14** Эксплуатируйте прибор только в сети с напряжением, указанным на фирменной табличке на нем.
- Не включайте прибор:
 - **A 5** если поврежден кабель или вилка.
 - если прибор сломан.
 - **A 6** прибор упал или был поврежден иначе.
- **A 7** Ремонт электроприборов должны производить только специалисты. Ремонт/замену неисправного сетевого кабеля должен производить только специалист.
- Штепсельную вилку следует вынимать из розетки в следующих случаях:
 - перед каждым опорожнением прибора,
 - перед каждой чисткой,
 - перед каждой заменой испарительного мата или ионизирующего серебряного стержня Ionic Silver Stick®.

- перед каждым монтажом/демонтажом отдельных частей,
- перед каждым приподнятием верхней части,
- перед каждой перестановкой на другое место.
- **A 8** Никогда не окунайте нижнюю часть с электрическими деталями в воду или другую жидкость и не ополаскивать ее водой или другой жидкостью.

Для предотвращения травм следуйте приведенным ниже указаниям:

- **A 9** Располагайте прибор таким образом, чтобы не задевать кабель.
- Располагайте прибор.
- **A 10** Не пережимайте кабель дверью или другими предметами.
- Не накрывайте кабель.

Для предотвращения материального ущерба следовать приведенным ниже указаниям:

- **A 11** Не садитесь на прибор и не располагайте на нем какие-либо предметы.
- **A 12** Ставьте прибор только на плоскую сухую поверхность.
- Отверстия для входа и выхода воздуха на приборе обязательно должны быть свободными.
- Для заливки в прибор воды используйте только чистые приспособления.
- Не используйте для заливки воды лейку, залитую удобрениями, или с другим похожим содержимым.
- Не добавляйте в прибор или в лоток для воды примеси.
- Не используйте добавки к воде (напр., эфирные масла, ароматизаторы, очистители). Материал не подходит для использования добавок.
- Включайте прибор только в собранном состоянии.

Технические данные

	Значение
Напряжение сети	230 V / 50 Hz
Потребляемая мощность	20 Вт
Производительность увлажнения	до 220 г/ч
Подходит для помещений размером	до 40 м ²
Емкость	макс. 3,8 л
	мин. 0,2 л
Размеры ДхШхВ	320 x 320 x 400 мм
Вес в порожнем состоянии	3,8 кг
Уровень шума во время работы	< 25 дБ(А)

Описание прибора

Прибор состоит из следующих частей:

- **B 1** Приемная горловина
- **B 2** Верхняя часть с приемной горловиной
- **B 3** Поплавковый пакет (B 16–19)
- **B 4** Ionic Silver Stick® (ISS)
- **B 5** Лоток для воды (B 5–7)
- **B 6** Граница заливки
- **B 7** Ручки лотка
- **B 8** Сливное отверстие
- **B 9** Метка для Ionic Silver Stick® (ISS)
- **B 10** Сетевой кабель/штепсельная вилка
- **B 11** Нижняя часть (B 11–14)
- **B 12** Вентилятор
- **B 13** Ползунковый переключатель (B 20–21)
- **B 14** Заводская табличка (на нижней стороне прибора)

Поплавковый пакет состоит из следующих частей:

- **B 15** Наконечник поплавка
- **B 16** Кольцо указания уровня (максимум 3,8 л)
- **B 17** Испарительный мат A7018
- **B 18** Корпус поплавка
- **B 19** Тело поплавка

Ползунковый переключатель состоит из следующих частей:

- **B 20** Ползунковый переключатель
- **B 21** Индикаторное табло

Рабочие режимы

На ползунковом переключателе можно устанавливать следующие рабочие режимы:

Позиция	Функция
0	Прибор выключен
I	Прибор работает в ночном режиме (низкий уровень шума) Индикаторное табло начинает гореть зеленым цветом
II	Прибор работает в нормальном режиме (максимальная производительность увлажнения) Индикаторное табло горит зеленым цветом

Индикаторное табло

Индикаторное табло горит зеленым цветом, если прибор включен. Если лоток для воды приподнимается снизу, зеленый светодиод начинает гореть красным цветом, а работа прибора прерывается, но ток на прибор продолжает подаваться. Только после возврата лотка для воды на место красный светодиод снова начинает гореть зеленым цветом, а прибор продолжает работать.

Фирменная табличка

B 14 На фирменной табличке имеется следующая информация:

- Название изделия
- Напряжение сети
- Потребляемая мощность
- Класс защиты
- Заводской номер
- Дата изготовления
- Символ соответствия

i Данные на фирменной табличке на иллюстрациях являются примером. Проверьте данные на фирменной табличке вашего прибора.

Принцип функционирования

При заливке воды в прибор поплавковый выключатель поднимается вместе с уровнем воды. Когда уровень воды достигает границы заливки, наконечник поплавка закрывает приемную горловину прибора. Испарительный мат впитывает воду. Вентилятор прогоняет сухой воздух через влажный мат. Вследствие этого воздух увлажняется. Благодаря приданию потоку воздуха нужного направления примерно постоянное увлажнение можно поддерживать при любом уровне воды. Поэтому прибор обеспечивает оптимальную влажность воздуха без дополнительных устройств управления.

Ionic Silver Stick® для поддержания чистоты воды

B 4 Специально настроенная антибактериальная защитная система Ionic Silver Stick® предотвращает образование микроорганизмов и бактерий в воде лотка. Поэтому для поддержания чистоты воды химические добавки не нужны. Ionic Silver Stick® самостоятельно восстанавливается, не нуждается в уходе и может использоваться в течение одного года.

Метка

B 9 Прибор снабжен меткой для замены Ionic Silver Stick®. Чтобы не забыть дату установки нового Ionic Silver Stick®, отметьте на метке текущий месяц и запишите текущий год на предусмотренной для этого линии.

Распаковка прибора

i Прибор поставляется полностью собранным и с испарительным матом.

i Тело поплавка является частью поплавкового пакета и не относится к упаковке.

⚠ ОСТОРОЖНО

Опасность травмы из-за падающих частей!

- Для распаковки и подъема прибор всегда брать за нижнюю часть.

ОСТОРОЖНО

Повреждения прибора из-за изъятия тела поплавка!

- ▶ Не вынимать тело поплавка во время распаковки прибора.

1. Открыть упаковку.
2. **C 1** Освободить верхнюю часть упаковки от пенопласта.
3. **C 2** Засунуть руку в приемную горловину прибора и прочно взяться за верхний край пластикового пакета.
4. **C 3** Осторожно вытащить пластиковый пакет с прибором из упаковки. При этом пластиковый пакет нужно крепко удерживать и не отпускать при вынимании из упаковки.
5. **C 5** Поставить пластиковый пакет с прибором на пол и сдвинуть пластиковый пакет с прибора вниз.
6. **C 6** Взять прибор за нижнюю часть и вынуть его из пластикового пакета.
↳ Все части упаковки и пластиковый пакет с прибора сняты.
7. **B 14** Проверить данные по подключению к сети на фирменной табличке.
8. **B** Проверить наличие всех частей прибора.

Включение прибора

Установить прибор

ОСТОРОЖНО

Пластмасса может быть повреждена из-за нагревания!!

- ▶ Не подвергать прибор воздействию температур > 50 °C.

Соблюдать следующие указания при установке прибора:

- **A 14** Обеспечить хороший доступ к прибору и место для проведения работ по его обслуживанию и чистке.
- Не включать прибор без воды!

1. Прибор устанавливается на полу в помещении, на ровном и сухом месте.
2. Заливать воду в прибор в соответствии с указаниями (см. главу "Заливка воды в прибор").

Заливка воды в прибор

Воду в прибор можно залить следующим образом:

- через приемную горловину в верхней части или
- непосредственно в лоток для воды, который вынут из прибора, из водопроводного крана.

✓ В приборе посторонние предметы отсутствуют.

✓ **B** Прибор собран надлежащим образом.

i Если прибор длительное время не использовался, его следует опорожнить и почистить. Перед повторным включением залить свежую воду, иначе может появиться неприятный запах.

ОСТОРОЖНО

Повреждение и трещины пластмассы из-за добавок к воде!

- ▶ Не добавлять ничего в воду (напр., эфирные масла или другие ароматизаторы).
- ▶ В посуде, из которой в прибор заливается вода, не должно быть растворенных добавок (напр., удобрений для растений).

ОСТОРОЖНО

Перелив воды может привести к ущербу!

- ▶ При заливке воды не превышать линию уровня воды, которая соответствует 3,8 л воды.

Заливка в устройство воды через приемную горловину:

1. **D 1** Заливать в прибор воду с помощью чистой посуды (напр., кружки).
2. **D 2** Заливать свежую холодную воду из чистой посуды в приемную горловину верхней части.
3. **D 3** Прекратить заливку, когда красное кольцо указания уровня поплавка появится в приемной горловине.
↳ Прибор заполнено водой и его можно включать.

Заливка в устройство воды через лоток для воды:

- ✓ **E 1** Убедитесь, что прибор выключен и штепсельная вилка вынута из розетки (см. главу "Включение и выключение прибора").

1. **E 2** Приподнять верхнюю часть над нижней.
2. **E 3** Приподнять лоток для воды вместе с поплавковым пакетом за ручки лотка.
3. **E 4** Налить свежую холодную воду непосредственно в лоток для воды.
4. **E 4** Нalивать воду до достижения границы заливки на внутренней стороне лотка для воды, и не более.
5. Установить лоток для воды с водой вместе с поплавковым пакетом на нижнюю часть.
6. Установить верхнюю часть на нижнюю.
↳ Прибор заполнено водой и его можно включать.

Включение и выключение прибора

i Если прибор включается с лотком для воды без воды или вода в лотке для воды заканчивается во время работы прибора, испарительный мат высыхает, испарение больше не производится, может возникнуть неприятный запах.

✓ В прибор залита вода.

1. Вставить штепсельную вилку в розетку.
2. Установить ползунковый переключатель в положение I или положение II по потребности (см. главу "Рабочие режимы").

↳ Прибор включен.

1. Установить ползунковый переключатель в положение 0.



ПРЕДУПРЕЖДЕНИЕ

Опасность для жизни вследствие поражения током!

- ▶ Не вытягивать штепсельную вилку из розетки мокрыми руками.

2. **E 1** Вытянуть штепсельную вилку.

↳ Прибор выключен и обесточен.

Чистка прибора и уход за ним

Со временем производительность всасывания и испарения испарительного мата уменьшается. Поэтому регулярный уход за прибором и его чистка являются условием для бесперебойной эксплуатации без помех.

ОСТОРОЖНО

Повреждение пластмассы из-за использования неподходящих чистящих средств!

- ▶ Не использовать чистящие средства с содержанием кислоты.

- ▶ Протирать прибор влажной салфеткой.

Интервалы чистки и ухода

Рекомендуемые интервалы чистки и ухода зависят от качества воздуха и воды, а также от фактической продолжительности эксплуатации.

Интервал	Действие
1 раз в день	Контроль уровня воды, при необходимости доливание воды (см. главу "Заливка воды в прибор")
начиная с 1 недели без эксплуатации	Опорожнение и чистка прибора (см. главу "Демонтаж и опорожнение прибора")
каждые 2 недели	Чистка лотка для воды (см. главу "Чистка лотка для воды")
каждые 10–12 недель (или при необходимости)	Замена испарительного мата (см. главу "Замена испарительного мата")
1–2 раза в год	Чистка вентилятора (см. главу "Чистка вентилятора")
1 раз в год	Ionic Silver Stick® (см. главу "Замена Ionic Silver Stick®")

Демонтаж и опорожнение прибора

Прибор разбирается всего несколькими движениями. После этого его можно начать чистить.



ПРЕДУПРЕЖДЕНИЕ

Опасность для жизни вследствие поражения током!

- ▶ Не вытягивайте штепсельную вилку из розетки влажными руками.

✓ **F 1** Убедитесь что, прибор выключен, а штепсельная вилка вынута из розетки.

1. **F 3** Приподнимите верхнюю часть над нижней.
2. **F 4** Выньте лоток для воды вместе с поплавковым пакетом за предусмотренные для этого ручки лотка.
3. **F 5** Слейте остаток воды из лотка через сливное отверстие.
4. **F 6** Выньте поплавковый пакет из пустого лотка для воды.



ПРЕДУПРЕЖДЕНИЕ

Опасность для жизни вследствие поражения током!

- ▶ Не сливайте воду над электрическими деталями.

5. Если в нижней части есть вода: опорожните и просушите нижнюю часть.

↪ Прибор разобран и из него слита вода.

Чистка лотка для воды

✓ Убедитесь что, прибор разобран и из него слита вода.



ПРЕДУПРЕЖДЕНИЕ

Опасность для жизни вследствие поражения током!

- ▶ Перед чисткой вытащите штепсельную вилку из розетки.
- ▶ Никогда не ставьте нижнюю часть с электрическими деталями и вентилятор в воду.

1. **G 1** Промойте лоток для воды водой комнатной температуры.
2. **G 2** Для более тщательной чистки лотка для воды воспользуйтесь обычной щеткой для мытья посуды.
3. Для удаления кальциевых отложений из лотка для воды используйте рекомендуемое производителем средство для удаления отложений (см. главу „Запасные части и аксессуары“).
4. После чистки просушите детали прибора.
5. Поплавковый пакет надлежащим образом вставьте в пустой лоток для воды.
6. Соберите прибор (см. главу „Сборка прибора“).

Чистка вентилятора

✓ Убедитесь что, прибор разобран и из него слита вода.

1. **G 3** Протрите вентилятор слегка влажной салфеткой или тряпкой.

2. После чистки детали просушите.
3. Соберите прибор (см. главу „Сборка прибора“).

Замена испарительного мата

Если испарительный мат сильно загрязнен, на нем накопилось много извести, возникает плохой запах, его производительность всасывания понизилась его следует заменить. Испарительные маты приобретаются в магазинах, где продаются увлажнители воздуха.

✓ Убедитесь что, прибор разобран и из него слита вода.

i Используйте только фирменные испарительные маты (см. главу „Запасные части и аксессуары“).

ОСТОРОЖНО

Возможно повреждение влажного испарительного мата вследствие промывания или выкручивания!

- ▶ Не промывайте и не выкручивайте испарительный мат.

1. **H 1** Чтобы открыть поплавковый пакет, поверните наконечник поплавка против часовой стрелки (стрелка OPEN) и приподнимите его.
2. **H 2** Снимите отработанный испарительный мат с корпуса поплавка и утилизируйте.

ОСТОРОЖНО

Возможно повреждение прибора

- ▶ Не вынимайте тело поплавка во время распаковки прибора

3. **H 3** Установите новый испарительный мат на корпус поплавка.
4. **H 4** Чтобы закрыть поплавковый пакет, установите наконечник поплавка на корпус поплавка и испарительный мат, прижмите вниз и поверните по часовой стрелке (стрелка CLOSE).
5. Для контроля слегка потяните за наконечник поплавка по направлению вверх. При этом он не должен отделяться от корпуса поплавка.
6. При необходимости еще раз поверните наконечник поплавка и повторите проверку.
7. Поплавковый пакет надлежащим образом вставьте в пустой лоток для воды.
8. Соберите прибор (см. главу „Сборка прибора“).

Замена Ionic Silver Stick®

✓ Убедитесь что, прибор разобран и из него слита вода.

1. Отделите Ionic Silver Stick® от днища лотка для воды и утилизируйте.
2. Вставьте новый Ionic Silver Stick® в крепление на днище лотка для воды.
3. Поплавковый пакет надлежащим образом вставьте в пустой лоток для воды.
4. Соберите прибор (см. главу „Сборка прибора“).

Сборка прибора

✓ Убедитесь что, прибор разобран и из него слита вода.

1. Поплавковый пакет надлежащим образом вставьте в пустой лоток для воды.
 2. **B 5** Вставьте лоток для воды вместе с поплавковым пакетом за ручки лотка в нижнюю часть прибора.
 3. Установите верхнюю часть на нижнюю.
 4. **B** Прибор должен быть собран правильно.
 5. В приборе не должны находиться посторонние предметы.
- ↪ Убедитесь что, прибор собран.

Транспортировка прибора



ОСТОРОЖНО

Опасность травмы из-за падающих частей!

- ▶ Для распаковки и переноски прибор всегда брать за нижнюю часть.

ОСТОРОЖНО

Возможна поломка при пролипании воды!

- ▶ Перед транспортировкой слить воду из прибора.

1. Опорожнение прибора (см. главу "Демонтаж и опорожнение прибора").
2. Высушите прибор.
3. Приподнимите прибор за нижнюю часть и перенесите его в нужное место.

Хранение прибора

1. Чистка прибора (см. главу "Чистка прибора и уход за ним").
2. Высушите прибор.
3. Упакуйте прибор в оригинальную упаковку.
4. Храните прибор в сухом, прохладном месте.

Утилизация прибора

Отслуживший свой срок прибор возвратите в магазин для надлежащей утилизации. При утилизации соблюдайте действующий местный закон. О других возможностях утилизации Вы можете узнать в административных органах по месту проживания.

Запасные части и аксессуары

Запасные части и аксессуары можно купить в магазине и самостоятельно заменить их в приборе. Используйте только фирменные запасные части. Ремонт должен производиться только специалистами. Это касается в том числе и неисправного сетевого кабеля.

Аксессуары	Название
Испарительный мат	A7018
Ionic Silver Stick®	A7017

Аксессуары	Название
Средство для удаления кальциевых отложений	A7417

Часто задаваемые вопросы

В. Почему влажность воздуха в моей комнате слишком низкая?

0. Как часто вы пользуетесь прибором? Если прибор работает только ночью, в течение дня влажность воздуха уменьшается, так как он увлажняется не постоянно.

Дерево, кожа, ковры, шторы и другие материалы интенсивно вбирают влагу, вследствие этого влажность воздуха в помещении уменьшается.

Если открыто окно, влага из комнаты может уходить.

Часто причиной является расположение прибора рядом с нагревательным прибором, чтобы влага быстро распространилась по помещению вместе с теплым воздухом. Но это не работает. Выходящий теплый воздух вбирает большую часть влаги, до того, как он распределится по помещению.

В. Во время работы прибора дверь должна быть открыта или закрыта?

0. Если дверь открыта, влага выходит из помещения и распределяется также и по другим частям дома/квартиры. Если вы хотите увеличить уровень влажности воздуха в определенном помещении, нужно следить за тем, чтобы дверь во время работы прибора была закрыта.

В. Какой должна быть влажность воздуха в моей комнате?

0. Рекомендуется уровень влажности воздуха в диапазоне от 50 до 60 %.

В. Какими являются последствия слишком низкой или слишком высокой влажности воздуха?

0. Сухой воздух может вести к высыханию кожи, образованию электростатических зарядов, расстраиванию музыкальных инструментов, усиленному образованию пыли, порче предметов из дерева (высыхание и трещины), к плохому самочувствию, болезням и к высыханию слизистой оболочки носа. Слишком высокая влажность воздуха может вести к возникновению плесени и отслаиванию обоев.

В. Зачем мне нужен увлажнитель, если можно просто открыть окно?

0. Влажность воздуха снаружи недостаточна для увлажнения воздуха в помещении.

В. Где нужно ставить увлажнитель?

0. Прибор должен находиться на свободном месте, чтобы воздух мог свободно циркулировать вокруг него. Не рекомендуется использовать прибор около окна, стены, двери или теплового мостика.

В. Плохо, если прибор работает без воды?

0. Если существует возможность работы прибора без воды, напр., если вы не можете долить воду, выключите прибор, когда покидаете помещение. Без воды прибор не может увлажнять воздух и может возникнуть плохой запах.

В. Увлажнителем можно пользоваться в течение всего года?

0. Да, увлажнителем можно пользоваться в течение всего года. Прибор увеличивает относительную влажность воздуха в помещении до его насыщения. То есть, данный прибор не может сделать воздух „слишком влажным“.

В. Можно ли чистить лоток для воды в посудомоечной машине?

0. Нет, лоток для воды нельзя чистить в посудомоечной машине – он расплавится.

Общая информация об увлажнении воздуха

Знаете ли вы, что сухой воздух в помещении

- высушивает слизистую оболочку, а также приводит к растрескиванию губ и жжению в глазах?
- способствует распространению инфекций и заболеваний дыхательных путей?
- приводит к понижению тонуса, усталости и снижению концентрации внимания?
- вредит домашним животным и комнатным растениям?
- способствует образованию пыли и усиливает электростатическую заряжаемость изделий из искусственных волокон, ковров и искусственного покрытия пола?
- вредит предметам обстановки из дерева и, в частности, паркету?
- расстраивает музыкальные инструменты?

Физическое самочувствие людей и животных зависит от многих факторов. Одним из них является правильно увлажненный воздух в помещении. Во время отопительного сезона холодный наружный воздух, который заходит в жилые помещения через окна, нагревается. Это приводит к значительному уменьшению относительной влажности воздуха. Это неблагоприятный климат для растений и животных, предметы из дерева и мебель высыхают, а люди чувствуют себя некомфортно и в большей степени подвержены простудным заболеваниям. Приятным климат в помещении, как правило, является в том случае, если относительная влажность находится в диапазоне от 50 до 60 %. Увлажнение воздуха имеет смысл, в частности, в зимний период.

Устранение неполадок

i Ремонт электроприборов должны производить только специалисты. Непрофессиональный ремонт может привести к возникновению серьезной опасности для пользователя. При этом прекращается действие гарантии.



ПРЕДУПРЕЖДЕНИЕ

Опасность для жизни вследствие поражения током!

► Ремонт электрических частей не производить.

Неполадка	Причина	Устранение
Прибор не работает.	Не вставлена штепсельная вилка.	► Вставьте штепсельную вилку и включите прибор.
	При сборке прибора не был вставлен лоток для воды.	► Вставьте лоток для воды (см. главу „Сборка прибора“).
Шумы от задевания	Лоток для воды вставлен неправильно.	► Правильно вставьте лоток для воды (см. главу „Сборка прибора“).
Воздух не увлажняется.	В лотке для воды отсутствует вода.	► Залейте воду в лоток для воды (см. Главу „Заливка воды в прибор“).
	Отложения извести на испарительном мате.	► Замените испарительный мат (см. Главу „Замена испарительного мата“).
Наконечник поплавка и кольцо указания уровня при заливке воды не видны.	При сборке была забыта часть прибора.	► Вытащите штепсельную вилку. ► Проверьте правильно ли собран прибор (рисунок В).
	Прибор собран неправильно.	
Из прибора вытекает вода.	В прибор было залито слишком много воды.	► Опорожните прибор (см. Главу „Демонтаж прибора“). ► Высушите прибор. При этом вытрите вытекшую воду.
	При сборке была забыта часть прибора.	► Вытащите штепсельную вилку. ► Проверьте правильно ли собран прибор (рисунок В).
	Прибор собран неправильно.	
От прибора идет плохой запах.	Прибор работает без воды.	► Залейте в прибор воду (см. главу „Заливка в прибор воды“).
	Испарительный мат загрязнен.	► Замените испарительный мат (см. главу "Замена испарительного мата").

Instrukcja obsługi w języku Polskim

Strona	Rozdział
14	Informacje ogólne
14	Wskazówki bezpieczeństwa
15	Dane techniczne
15	Opis urządzenia
15	Zasada działania
15	Rozpakowanie urządzenia
16	Uruchomienie urządzenia
16	Włączanie/wyłączanie urządzenia
16	Czyszczenie i konserwacja urządzenia
17	Transport urządzenia
17	Przechowywanie urządzenia
17	Utylizacja urządzenia
17	Części zapasowe i akcesoria
18	Częste pytania
18	Ogólne informacje o nawilżaniu powietrza
19	Usuwanie zakłóceń

Informacje ogólne

Niniejsza instrukcja obsługi jest częścią produktu i opisuje jego bezpieczne użytkowanie. Instrukcja obsługi dotyczy wyłącznie opisanego w niej produktu.

- Instrukcję obsługi należy przeczytać w całości przed pierwszym uruchomieniem urządzenia.
- Instrukcję obsługi należy zachować na czas użytkowania produktu.
- Instrukcję obsługi należy przekazać kolejnym właścicielom i użytkownikom produktu wraz z dołączonymi uzupełnieniami producenta.
- Producent nie ponosi odpowiedzialności za szkody powstałe wskutek nieprzestrzegania niniejszej instrukcji obsługi.

Użytkowanie zgodne z przeznaczeniem

Urządzenie przeznaczone jest wyłącznie do nawilżania powietrza w pomieszczeniach do 120 m³. W większych pomieszczeniach optymalna wilgotność powietrza (50 % względnej wilgotności powietrza) może nie zostać osiągnięta. Urządzenie nie może być używane do innych celów. Nie wkładać obcych przedmiotów do urządzenia. Urządzenie należy używać do celów opisanych w instrukcji obsługi.

Gwarancja

Warunki gwarancji ustalane są przez nasze przedstawicielstwa krajowe. W razie wystąpienia usterki urządzenia należy skontaktować się ze sprzedawcą. Warunkiem realizacji świadczenia gwarancyjnego jest przedłożenie dowodu zakupu.

Certyfikat CE i obowiązujące wymagania

Urządzenie posiada certyfikat CE i spełnia wymagania następujących dyrektyw:

- 2006/95/EG w sprawie bezpieczeństwa sprzętu elektrycznego
- 2004/108/EG w sprawie kompatybilności elektromagnetycznej

- 2002/95/EG w sprawie ograniczenia stosowania niektórych niebezpiecznych substancji w sprzęcie elektrycznym i elektronicznym
- 2002/96/EG w sprawie zużytego sprzętu elektrotechnicznego i elektronicznego

Wskazówki i symbole zastosowane w niniejszej instrukcji



W niniejszej instrukcji zastosowano wskazówki ostrzegawcze, aby zapobiec wystąpieniu obrażeń ciała i szkód materialnych. Wskazówki oznaczone są w następujący sposób:

POZIOM OSTRZEŻENIA

Przyczyna i skutek


- ▶ Środki zaradcze w celu uniknięcia niebezpieczeństwa

Istnieją następujące poziomy ostrzeżenia:

Poziom ostrzeżenia	Opis
 OSTRZEIENIE	Sygnalizuje grożące Ostrzeżenie. Nieprzestrzeganie wskazówek może prowadzić do utraty życia lub ciężkich obrażeń ciała.
 UWAGA	Sygnalizuje niebezpieczną sytuację. Nieprzestrzeganie wskazówek może skutkować niewielkimi obrażeniami ciała.
UWAGA	Sygnalizuje niebezpieczną sytuację. Nieprzestrzeganie wskazówek może prowadzić do wystąpienia szkód materialnych.

W celu uzyskania szybkiego dostępu do informacji w niniejszej instrukcji zastosowano następujące symbole:

Symbol	Opis
✓	Warunek, który musi być spełniony przed podjęciem działania.
▶	Działanie składające się ze jednej lub kilku czynności, których kolejność nie jest istotna.
1. 2.	Działanie składające się z kilku czynności, których kolejność jest istotna.
•	Wypunktowanie pierwszego poziomu
-	Wypunktowanie drugiego poziomu
↪	Rezultat jednego lub kilku działań

Symbol	Opis
(patrz...)	Odesłanie do rozdziału lub rysunku
	Ważne informacje
A 1	Odesłanie do numeru na rysunku, np. numer 1 na rysunku A

Wskazówki bezpieczeństwa

- Niniejszą instrukcję obsługi należy przeczytać przed użyciem urządzenia i przechowywać w bezpiecznym miejscu.
- Osobom, które nie zapoznały się z instrukcją obsługi, jak również dzieciom i osobom będącym pod wpływem leków, alkoholu i narkotyków nie wolno używać urządzenia.
- Urządzenie należy stosować zgodnie z przeznaczeniem i z zachowaniem wyszczególnionych danych technicznych. Użycie niezgodne z przeznaczeniem może zagrażać zdrowiu i życiu.
- **A 1** Dzieci nie są świadome niebezpieczeństwa grożącego im przy obchodzeniu się z urządzeniami elektrycznymi. Dlatego nie wolno zostawiać dzieci bez nadzoru, jeśli znajdują się w pobliżu urządzenia.
- Nie używać urządzenia w pomieszczeniach, w których znajdują się łatwopalne towary, gazy lub opary.
- Nie dokonywać zmian w urządzeniu i nie wkładać obcych przedmiotów do urządzenia.

Przy obchodzeniu się z elektrycznością istnieje Ostrzeżenie porażenia prądem. W celu uniknięcia tego ryzyka należy przestrzegać następujących wskazówek:

- Nie wystawiać urządzenia na deszcz.
- Nie używać urządzenia w pomieszczeniach o względnej wilgotności powietrza > 70 %.
- Wyjąć wtyczkę sieciową z gniazdka, jeśli urządzenie nie jest używane.
- **A 2** W celu wyjęcia wtyczki sieciowej z gniazdka nie ciągnąć nigdy za kabel.
- **A 3** Nigdy nie wyjmować wtyczki sieciowej z gniazdka ani wkładać jej do gniazdka wilgotnymi dłońmi.
- **A 4** Urządzenie podłączać tylko do prądu przemiennego.
- **B 14** Urządzenie zasilać tylko napięciem zgodnym z tabliczką znamionową urządzenia.
- Nie **włączać** urządzenia:
 - **A 5** jeśli kabel lub wtyczka są uszkodzone.
 - w przypadku stwierdzenia nieprawidłowego działania urządzenia.
 - **A 6** jeśli urządzenie spadło z wysokości lub zostało uszkodzone w inny sposób.
- **A 7** Naprawy urządzeń elektrycznych mogą być przeprowadzane tylko przez wyspecjalizowane osoby. Uszkodzony kabel sieciowy może być reperowany/wymieniany tylko przez wyspecjalizowane osoby.
- Wtyczkę sieciową należy wyjąć z gniazdka w następujących przypadkach:
 - przed każdym opróżnieniem urządzenia,
 - przed każdym czyszczeniem,
 - przed każdą wymianą maty nawilżającej lub elektrody Ionic Silver Stick[®],
 - przed każdym montażem/demontażem poszczególnych części,
 - przed każdym zdjęciem górnej części urządzenia,

- przed każdym przestawieniem urządzenie w inne miejsce.

- **A 8** Dolnej części urządzenia, w której znajdują się elementy elektryczne i wentylator nie należy nigdy zanurzać w wodzie ani w innych płynach oraz nie splukiwać wodą ani innymi płynami.

W celu uniknięcia niebezpieczeństwa wystąpienia obrażeń ciała należy przestrzegać następujących wskazówek:

- **A 9** Urządzenie postawić w takim miejscu, aby nie potknąć się o kabel.
- Urządzenie postawić w takim miejscu, aby nie mogło zostać przewrócone.
- **A 10** Nie przyciskać kabla drzwiami ani innymi przedmiotami.
- Nie przykrywać kabla.

W celu uniknięcia niebezpieczeństwa wystąpienia szkód materialnych należy przestrzegać następujących wskazówek:

- **A 11** Nie siadać na urządzeniu i nie umieszczać na nim żadnych przedmiotów.
- **A 12** Urządzenie stawiać tylko na równej, suchej powierzchni.
- Nie zasłaniać wlotu i wylotu powietrza urządzenia.
- Do napełniania urządzenia używać wyłącznie czystych naczyń.
- Upewnić się, że w naczyniu nie znajduje się nawóz lub podobne substancje.
- Nie napełniać urządzenia ani wanienki żadnymi dodatkami.
- **Nie** stosować dodatków do wody (np. olejków eterycznych, substancji zapachowych, uzdatniaczy wody). Materiał nie nadaje się do używania dodatków.
- Urządzenie należy używać tylko w stanie kompletnie i prawidłowo zmontowanym.

Dane techniczne

	Wartość
Napięcie sieciowe	230 V / 50 Hz
Pobór mocy	20 W
Wydajność nawilżania	do 220 g/h
Przeznaczony do pomieszczeń o wielkości	do 40 m ²
Pojemność wody	max 3,8 l
	min. 0,2 l
Wymiary dł. x szer. x wys.	320 x 320 x 400 mm
Ciężar własny	3,8 kg
Głośność pracy	< 25 dB(A)

Opis urządzenia

Urządzenie składa się z następujących części:

- **B 1** Otwór do wlewania wody
- **B 2** Górna część z otworem do wlewania wody
- **B 3** Zespół pływaka (B 16–19)
- **B 4** Elektroda Ionic Silver Stick® (ISS)
- **B 5** Wanienka (B 5–7)
- **B 6** Granica napełnienia
- **B 7** Uchwyty
- **B 8** Otwór wylewowy
- **B 9** Wskaźnik wymiany elektrody Ionic Silver Stick® (ISS)
- **B 10** Kabel sieciowy/wtyczka sieciowa
- **B 11** Dolna część urządzenia (B 11–14)
- **B 12** Wentylator
- **B 13** Przełącznik suwakowy (B 20–21)
- **B 14** Tabliczka znamionowa (na spodniej stronie urządzenia)

Zespół pływaka składa się z następujących części:

- **B 15** Końcówka pływaka
- **B 16** Pierścień oznakowania poziomu napełnienia (maksymalnie 3,8 l)
- **B 17** Mata nawilżająca A7018
- **B 18** Kosz pływaka
- **B 19** Korpus pływaka

Przełącznik suwakowy składa się z następujących części:

- **B 20** Przełącznik suwakowy
- **B 21** Wskaźnik pracy

Tryby pracy

Przełącznikiem suwakowym można nastawić następujące tryby pracy:

Pozycja	Funkcja
0	Urządzenie jest wyłączone
I	Urządzenie pracuje w trybie nocnym (tryb cichy)
	Wskaźnik pracy świeci na zielono
II	Urządzenie pracuje w trybie normalnym (maksymalna wydajność nawilżania)
	Wskaźnik pracy świeci na zielono

Wskaźnik pracy

Wskaźnik pracy świeci na zielono, jeśli urządzenie jest włączone. Jeśli z dolnej części urządzenia wyjęta zostanie wanienka, zielona dioda LED zaczyna świecić na czerwono, praca urządzenia zostaje przerwana ale urządzenie jest ciągle pod napięciem. Dopiero po nałożeniu wanienki na dolną część urządzenia czerwona dioda LED zaczyna świecić na zielono a urządzenie kontynuuje pracę.

Tabliczka znamionowa

B 14 Na tabliczce znamionowej znajdują się następujące informacje:

- Nazwa produktu
- Napięcie sieciowe
- Pobór mocy

- Klasa ochrony
- Numer produkcyjny
- Data produkcji
- Oznakowanie zgodności

i Dane na tabliczce znamionowej znajdującej się na ilustracjach są przypadkowe. Proszę sprawdzić dane na tabliczce znamionowej swojego urządzenia.

Zasada działania

Przy napełnianiu urządzenia przełącznik pływakowy unosi się wraz ze wzrastającym poziomem wody. Jeśli poziom wody osiągnie granicę napełnienia, końcówka pływaka zamyka otwór do wlewania wody. W matę nawilżającą wsiąka woda. Wentylator przeciska suche powietrze z pomieszczenia przez wilgotną matę dzięki czemu powietrze zostaje wystarczająco nawilżone. Dzięki precyzyjnemu prowadzeniu prądu powietrza możliwe jest prawie stałe nawilżanie przy każdym poziomie wody. Urządzenie zapewnia optymalną wilgotność powietrza bez dodatkowych urządzeń sterujących.

Elektroda Ionic Silver Stick® do utrzymania odpowiedniej jakości wody

B 4 Specjalnie dobrany system ochrony antybakteryjnej Ionic Silver Stick® zapobiega powstawaniu w wodzie wanienki zarodników bakterii. Do utrzymania odpowiedniej jakości wody nie są więc konieczne żadne dodatkowe środki chemiczne. Elektroda Ionic Silver Stick® jest samoodnawialna, nie wymaga konserwacji i może być używana przez jeden rok.

Wskaźnik wymiany elektrody

B 9 Urządzenie wyposażone jest standardowo we wskaźnik wymiany elektrody Ionic Silver Stick®. Abyście Państwo zapamiętali, kiedy zaczęliście używać elektrody Ionic Silver Stick® zaznaczcie na wskaźniku właściwy miesiąc i wpiszcie właściwy rok w przewidzianym do tego miejscu.

Rozpakowanie urządzenia

i Dostarczane urządzenie jest kompletnie złożone i wyposażone w matę nawilżającą.

i Korpus pływaka jest częścią zespołu pływaka i nie należy do opakowania.



UWAGA

Ostrzeżenie doznania obrażeń ciała przez spadające części!

- ▶ Przy rozpakowywaniu i podnoszeniu urządzenie trzymać zawsze za dolną część.

UWAGA

Ostrzeżenie uszkodzenia urządzenia przez usunięcie korpusu pływaka!

- ▶ Nie usuwać korpusu pływaka przy rozpakowywaniu urządzenia.

- Otworzyć opakowanie.
 - C 1** Zdjąć górną część opakowania styropianowego.
 - C 2** Chwycić za otwór do wlewania wody znajdujący się w urządzeniu i mocno złapać za górną krawędź plastikowej torebki.
 - C 3** Ostrożnie wyciągnąć z opakowania plastikową torebkę z urządzeniem. W trakcie tej czynności mocno trzymać za plastikową torebkę i nie puszczać przy wyjmowaniu z opakowania.
 - C 5** Plastikową torebkę z urządzeniem postawić na ziemi, po czym zsunąć plastikową torebkę przy urządzeniu w dół.
 - C 6** Chwycić urządzenie za dolną część i podnieść do góry wyjmując go tym samym z plastikowej torebki.
- ↳ Usunąć z urządzenia wszystkie części opakowania, jak również plastikowe torebki.
- B 14** Sprawdzić na tabliczce znamionowej dane odnośnie zasilania sieciowego.
 - B** Sprawdzić czy dostarczone zostały wszystkie części urządzenia.

Uruchomienie urządzenia

Ustawienie urządzenia

UWAGA

Ostrzeżenie uszkodzenia tworzywa sztucznego wskutek wysokiej temperatury!

- ▶ Nie wystawiać urządzenia na działanie temperatury > 50 °C.

Przy ustawianiu urządzenia przestrzegać następujących wskazówek:

- **A 14** Zwrócić uwagę na łatwy dostęp do urządzenia i wystarczająco dużo miejsca do konserwacji oraz czyszczenia urządzenia.
- Włączać urządzenie tylko, kiedy jest napełnione wodą!

- Postawić urządzenie na podłodze albo innej płaskiej, równej powierzchni w pomieszczeniu.
- Napełnić urządzenie wodą (patrz rozdział "Napełnianie urządzenia wodą").

Napełnianie urządzenia wodą

Urządzenie można napełnić wodą dwoma sposobami:

- poprzez otwór do wlewania wody w górnej części urządzenia lub
- poprzez bezpośrednie nalanie wody z kranu do wyjętej wanienki.

✓ W urządzeniu nie ma żadnych obcych przedmiotów

✓ **B** Urządzenie jest prawidłowo złożone.

i Po dłuższym przestoju urządzenie powinno zostać opróżnione i wyczyszczone. Przed ponownym uruchomieniem urządzenie musi zostać napełnione świeżą wodą. W innym wypadku może rozprzestrzenić się nieprzyjemny zapach.

UWAGA

Ostrzeżenie uszkodzenia i zarysowania tworzywa sztucznego przez różne dodatki znajdujące się w wodzie!

- ▶ Nie dodawać żadnych dodatków (np. olejków eterycznych lub innych substancji zapachowych) do wody.
- ▶ Przy napełnianiu za pomocą naczynia upewnić się wcześniej, że w tym naczyniu nie znajdują się żadne rozpuszczalne w wodzie dodatki (np. nawozy roślinne).

UWAGA

Ostrzeżenie uszkodzenia wskutek przelania!

- ▶ Przy napełnianiu urządzenia nie przekraczać wskazanej odpowiednią linią maksymalnej ilości napełnienia 3,8 l.

Napełnianie urządzenia przez otwór do wlewania wody:

- D 1** Napełnić urządzenie wodą używając czystego pojemnika (np. dzbanka).
 - D 2** Czystym pojemnikiem wlać świeżą, zimną wodę przez otwór do wlewania wody, znajdujący się w górnej części urządzenia.
 - D 3** Zaprzestać nalewnia, jak tylko czerwony pierścień pływaka oznaczający poziom napełnienia pojawi się w otworze do wlewania wody.
- ↳ Urządzenie zostało napełnione wodą i może zostać włączone.

Napełnianie urządzenia za pomocą wanienki:

- ✓ **E 1** Urządzenie jest wyłączone i wtyczka sieciowa wyciągnięta (patrz rozdział "Włączanie/wyłączanie urządzenia").

- E 2** Oddzielić górną część urządzenia do dolnej.
 - E 3** Podnieść za uchwyty wanienkę wraz z zespołem pływaka.
 - E 4** Napełnić wanienkę świeżą, zimną wodą.
 - E 4** Nie nalewać wody dłużej niż do momentu, kiedy osiągnięta zostanie maksymalna granica napełnienia na wewnętrznej stronie wanienki.
 - Nalożyć napełnioną wanienkę wraz z zespołem pływaka na dolną część urządzenia.
 - Nalożyć górną część urządzenia na dolną.
- ↳ Urządzenie zostało napełnione wodą i może zostać włączone.

Włączanie/wyłączanie urządzenia

i Jeśli urządzenie zostanie uruchomione z pustą wanienką lub w trakcie pracy urządzenia wanienka się opróżni, wówczas mata nawilżająca wyschnie, nie będzie parowania i może powstać nieprzyjemny zapach.

✓ Urządzenie zostało napełnione wodą.

- Włożyć wtyczkę sieciową do gniazdka.
 - Ustawić przełącznik suwakowy, w zależności od potrzeby, w pozycji I lub II (patrz rozdział "Tryby pracy").
- ↳ Urządzenie zostaje włączone.

- Ustawić przełącznik suwakowy w pozycji 0.



OSTRZEIENIE

Ostrzeżenie porażenia prądem!

- ▶ Nie wyciągać wtyczki z gniazdka wilgotnymi dłońmi.

- E 1** Wyciągnąć wtyczkę sieciową.

↳ Urządzenie jest wyłączone i nie znajduje się pod napięciem.

Czyszczenie i konserwacja urządzenia

Im dłuższy czas użytkowania urządzenia tym mniejsza wydajność zasysania i parowania maty nawilżającej. Dlatego regularna konserwacja i czyszczenie urządzenia są warunkiem bezproblemowej i przebiegającej bez zakłóceń pracy urządzenia.

UWAGA

Ostrzeżenie uszkodzenia tworzywa sztucznego wskutek stosowania nieodpowiednich środków czyszczących!

- ▶ Nie stosować środków czyszczących zawierających kwasy.

- ▶ Wyrzucić urządzenie wilgotną ścierką.

Częstotliwość czyszczenia i konserwacji

Zalecana częstotliwość czyszczenia i konserwacji uzależniona jest od jakości powietrza i wody, jak również od faktycznego czasu trwania użytkowania urządzenia.

Częstotliwość	Czynność
1 raz dziennie	Kontrola poziomu wody, w razie potrzeby dolać wody (patrz rozdział "Napełnianie urządzenia wodą")
przerwy dłuższy niż 1 tydzień	Opróżnienie i czyszczenie urządzenia (patrz rozdział "Rozłożenie na części i opróżnienie urządzenia")
co 2 tygodnie	Czyszczenie wanienki (patrz rozdział "Czyszczenie wanienki")
co 10–12 tygodni (lub w razie potrzeby)	Wymiana maty nawilżającej (patrz rozdział "Wymiana maty nawilżającej")
1–2 razy w roku	Czyszczenie wentylatora (patrz rozdział "Czyszczenie wentylatora")
1 raz w roku	Wymiana elektrody Ionic Silver Stick® (patrz rozdział "Wymiana elektrody Ionic Silver Stick®")

Rozłożenie na części i opróżnienie urządzenia

Do czyszczenia urządzenie można łatwo rozłożyć na części.



OSTRZEIENIE

Ostrzeżenie porażenia prądem!

▶ Nie wyciągać wtyczki z gniazdka wilgotnymi dłońmi.

✓ **F 1** Urządzenie jest wyłączone i wtyczka sieciowa wyciągnięta

1. **F 3** Oddzielić górną część urządzenia od dolnej.
2. **F 4** Wyjąć za uchwyty wanienkę na wodę wraz z zespołem pływaka.
3. **F 5** Wylać resztki wody z wanienki przez otwór wylewowy.
4. **F 6** Wyjąć zespół pływaka z pustej wanienki na wodę.



OSTRZEIENIE

Ostrzeżenie porażenia prądem!

▶ Przy wylewaniu wody uważać, aby nie zamoczyć elementów elektrycznych.

5. Jeśli w dolnej części urządzenia znajduje się woda: opróżnić dolną część urządzenia i wysuszyć.

↳ Urządzenie jest rozłożone na części i opróżnione.

Czyszczenie wanienki

✓ Urządzenie jest rozłożone na części i opróżnione.



OSTRZEIENIE

Ostrzeżenie porażenia prądem!

▶ Przed czyszczeniem wyciągnąć wtyczkę sieciową.

▶ Nie wkładać nigdy pod wodę dolnej części urządzenia, w której znajdują się elementy elektryczne i wentylator.

1. **G 1** Wypłukać wanienkę letnią wodą.
2. **G 2** Do dokładnego wyczyszczenia wanienki użyć zwykłej szczotki do czyszczenia.
3. W celu odwapnienia wanienki stosować zalecany środek odwapniający (patrz rozdział "Części zapasowe i akcesoria").
4. Wysuszyć części po czyszczeniu.
5. Włożyć zespół pływaka do pustej wanienki.
6. Składanie urządzenia (patrz rozdział "Składanie urządzenia").

Czyszczenie wentylatora

✓ Urządzenie jest rozłożone na części i opróżnione.

1. **G 3** Wyrzeć wentylator lekko wilgotną szmatką lub ściereczką.
2. Wysuszyć części po czyszczeniu.
3. Składanie urządzenia (patrz rozdział "Składanie urządzenia").

Wymiana maty nawilżającej

W przypadku silnego zabrudzenia, zwapnienia, wydzielania nieprzyjemnego zapachu, zmniejszonej wydajności zasysania itd. mata nawilżająca powinna zostać wymieniona. Maty nawilżające są do nabycia u sprzedawcy, u którego kupione zostało niniejsze urządzenie.

✓ Urządzenie jest rozłożone na części i opróżnione.

i Należy stosować tylko oryginalne maty nawilżające producenta urządzenia (patrz rozdział "Części zapasowe i akcesoria").

UWAGA

Niebezpieczeństwo uszkodzenia mokrej maty nawilżającej wskutek mycia lub wykręcenia!

▶ Nie myć i nie wykręcać maty nawilżającej.

1. **H 1** Aby otworzyć zespół pływaka należy przekręcić końcówkę pływaka w kierunku przeciwnym do ruchu wskazówek zegara (strzałka OPEN) i podnieść do góry.
2. **H 2** Zużytą matę nawilżającą zdjąć z kosza pływaka i wyrzucić.

UWAGA

Ostrzeżenie uszkodzenia urządzenia przez usunięcie korpusu pływaka!

▶ Nie usuwać korpusu pływaka przy rozpakowywaniu urządzenia.

3. **H 3** Nałożyć nową matę nawilżającą na kosz pływaka.
4. **H 4** Aby zamknąć zespół pływaka należy nałożyć końcówkę pływaka na kosz pływaka i matę nawilżającą, docisnąć w dół i przekręcić w kierunku zgodnym z ruchem wskazówek zegara (strzałka CLOSE).
5. Kontrolnie pociągnąć końcówkę pływaka lekko w górę. Końcówka nie powinna dać się zdjąć z kosza pływaka.
6. W razie potrzeby jeszcze raz przekręcić i sprawdzić końcówkę.
7. Włożyć zespół pływaka do pustej wanienki.
8. Składanie urządzenia (patrz rozdział "Składanie urządzenia").

Wymiana elektrody Ionic Silver Stick®

✓ Urządzenie jest rozłożone na części i opróżnione.

1. Wyjąć elektrodę Ionic Silver Stick® z wanienki na wodę i wyrzucić.
2. Włożyć nową elektrodę Ionic Silver Stick® w mocowanie na dnie wanienki na wodę.
3. Włożyć zespół pływaka do pustej wanienki.
4. Składanie urządzenia (patrz rozdział "Składanie urządzenia").

Składanie urządzenia

✓ Urządzenie jest rozłożone na części i opróżnione.

1. Włożyć zespół pływaka do wanienki na wodę.

2. **B 5** Trzymając za uchwyty włożyć wanienkę wraz z zespołem pływaka do dolnej części urządzenia.
3. Nałożyć górną część urządzenia na dolną.
4. **B** Upewnić się, że urządzenie zostało prawidłowo złożone.
5. Upewnić się, że w urządzeniu nie znajdują się żadne obce przedmioty.
↳ Urządzenie jest złożone.

Transport urządzenia



UWAGA

Ostrzeżenie doznania obrażeń ciała przez spadające części!

▶ Przy rozpakowywaniu i podnoszeniu urządzenie trzymać zawsze za dolną część.

UWAGA

Ostrzeżenie powstania szkód wskutek rozlania wody!

▶ Przed transportem należy opróżnić urządzenie.

1. Opróżnić urządzenie (patrz rozdział "Rozłożenie na części i opróżnienie urządzenia").
2. Wysuszyć urządzenie.
3. Podnieść urządzenie za dolną część i zanieść w wybrane miejsce.

Przechowywanie urządzenia

1. Wyczyścić urządzenie (patrz rozdział "Czyszczenie i konserwacja urządzenia").
2. Wysuszyć urządzenie.
3. Zapakować urządzenie najlepiej w opakowanie oryginalne.
4. Urządzenie przechowywać w suchym, zimnym miejscu.

Utylizacja urządzenia

Wysłużone urządzenie przekazać sprzedawcy celem fachowej utylizacji. Odnośnie utylizacji należy przestrzegać obowiązujące przepisy krajowe. O innych możliwościach utylizacji urządzenia dowiedzą się Państwo w gminie lub od administracji miasta.

Części zapasowe i akcesoria

Części zapasowe i akcesoria dostępne są u sprzedawcy. Można wymieniać je samodzielnie. Należy używać tylko części oryginalnych. Naprawy mogą być przeprowadzane tylko przez wyspecjalizowane osoby. Dotyczy to również uszkodzonego kabla sieciowego.

Akcesoria	Oznaczenie
Mata nawilżająca	A7018
Elektroda Ionic Silver Stick®	A7017
Środek odwapniający	A7417

Częste pytania

Pyt. Dlaczego wilgotność powietrza w moim pokoju jest za mała?

Odp. Jak często używane jest urządzenie? Jeśli urządzenie pracuje tylko w nocy, to w ciągu dnia wilgotność powietrza spada, ponieważ powietrze pozbawione jest ciągłej wilgoci.

Odp. Drewno, skóra, dywany, zasłony i inne materiały chłoną dużo wilgoci, przez co spada wilgotność powietrza w pomieszczeniu.

Jeśli jest otwarte okno, wilgoć może uciec z pomieszczenia.

Częstą przyczyną jest postawienie urządzenia w pobliżu przyrządu grzejnego, co ma niby służyć szybkiemu rozprzestrzenianiu się wilgoci wraz z gorącym powietrzem w pomieszczeniu. To jednak tak nie funkcjonuje. Wydostające się ciepłe powietrze pochłania większą część wilgoci zanim ona zdąży w ogóle dostać się do pomieszczenia.

Pyt. W trakcie pracy urządzenia drzwi powinny być otwarte czy zamknięte?

Odp. Przy otwartych drzwiach wilgoć opuszcza pomieszczenie i przedostaje się także do innych obszarów domu. Jeśli chcą Państwo podwyższyć wilgotność powietrza w jakimś konkretnym pomieszczeniu, wówczas należy zamknąć drzwi tego pomieszczenia podczas pracy urządzenia.

Pyt. Jaka powinna być wilgotność powietrza w moim pokoju?

Odp. Zalecana wilgotność powietrza to 40-60 %.

Pyt. Jakie są skutki zbyt małej lub zbyt dużej wilgotności powietrza?

Odp. Suche powietrze może być przyczyną suchej skóry, ładunków elektrostatycznych, rozstrojonych instrumentów muzycznych, większego gromadzenia się kurzu, uszkodzenia przedmiotów drewnianych (wysuszenie i rysy), złego samopoczucia, chorób oraz może wysuszać błony śluzowe nosa. Zbyt duża wilgotność powietrza może prowadzić do powstawania pleśni i odklejania się tapet.

Pyt. Dalszego potrzebuję urządzenia ewaporacyjnego, skoro mógłbym po prostu otworzyć okno?

Odp. Wilgotność powietrza zewnętrznego nie jest wystarczająco duża, aby nawilżyć pomieszczenie.

Pyt. Gdzie powinienem postawić moje urządzenie ewaporacyjne?

Odp. Urządzenie nie powinno stać przy ścianie, oknie, drzwiach czy mostku cieplnym lecz swobodnie, aby zapewnić swobodną cyrkulację powietrza w urządzeniu.

Pyt. Czy to źle, że moje urządzenie pracuje na sucho?

Odp. Jeśli zdarzy się, że urządzenie pracuje na sucho, np. kiedy nie można dolać wody, należy wyłączyć urządzenie przed opuszczeniem pomieszczenia. Bez wody urządzenie nie jest w stanie nawilżyć powietrza, poza tym urządzenie pracujące na sucho może być przyczyną nieprzyjemnego zapachu.

Pyt. Czy urządzenie może być używane przez cały rok?

Odp. Tak, urządzenie można używać przez cały rok. Urządzenie wytwarza względną wilgotność powietrza do momentu aż powietrze w pomieszczeniu zostanie nasycone. Dzięki temu urządzenie nie nawilży "za bardzo" powietrza.

Pyt. Czy mogę myć wanienkę w zmywarce?

Odp. Nie, nie wolno myć wanienki w zmywarce ponieważ się stopi.

Ogólne informacje o nawilżaniu powietrza

Czy wiedzieli Państwo, że zbyt suche powietrze w pomieszczeniu

- wysusza błony śluzowe, jak również jest przyczyną popękanych ust i pieczenia oczu?
- sprzyja infekcjom i chorobom dróg oddechowych?
- prowadzi do zmęczenia, zmęczenia i osłabienia koncentracji?
- nie jest korzystne dla zwierząt domowych i roślin pokojowych?
- sprzyja powstawaniu kurzu i zwiększa ładunki elektrostatyczne tekstyliów wykonanych z włókien sztucznych, dywanów i podłóg z tworzyw sztucznych?
- uszkadza przedmioty drewniane a zwłaszcza podłogi parkietowe?
- rozstraja instrumenty muzyczne?

Fizyczne samopoczucie ludzi i zwierząt zależy od wielu czynników. Jednym z nich jest właściwie nawilżone powietrze w pomieszczeniu. W sezonie grzewczym zimne powietrze zewnętrzne dostające się przez okna do pomieszczeń mieszkalnych jest podgrzewane. Skutkiem tego jest duży spadek względnej wilgotności powietrza. Ma to niekorzystny wpływ na rośliny i zwierzęta, drewniane przedmioty i meble wysychają a ludzie nie czują się dobrze i są bardziej podatni na przeziębienia. Przyjemny klimat w pomieszczeniu osiąga się z reguły wtedy, kiedy względna wilgotność wynosi od 40 do 60 %. Właściwa wilgotność powietrza jest szczególnie istotna w okresie zimowym.

Usuwanie zakłóceń

i Naprawy urządzeń elektrycznych mogą być przeprowadzane tylko przez wyspecjalizowane osoby. Naprawy wykonane przez osoby niewykwalifikowane stanowią bardzo duże zagrożenie dla użytkownika i są przyczyną wygaśnięcia roszczenia gwarancyjnego.



OSTRZEIENIE

Ostrzeżenie porażenia prądem!

- ▶ Nie należy dokonywać napraw części elektrycznych.

Zakłócenie	Przyczyna	Rozwiązanie
Urządzenie nie działa.	Wtyczka sieciowa nie jest włożona do gniazdka.	▶ Włożyć wtyczkę sieciową do gniazdka i włączyć urządzenie.
	Wanienka nie została włożona przy składaniu urządzenia.	▶ Włożyć wanienkę (patrz rozdział "Składanie urządzenia").
Nietypowe odgłosy	Nieprawidłowo włożona wanienka.	▶ Włożyć poprawnie wanienkę (patrz rozdział "Składanie urządzenia").
Brak nawilżania powietrza	Brak wody w wanience.	▶ Napełnić wanienkę wodą (patrz rozdział "Napełnianie urządzenia wodą").
	Zwapniona mata nawilżająca.	▶ Wymienić matę nawilżającą (patrz rozdział "Wymiana maty nawilżającej").
Końcówka pływaka z pierscieniem oznakowania poziomu napełnienia niewidoczna w trakcie napełniania.	Przy składaniu urządzenia zapomniano zmontować jakąś część urządzenia.	▶ Wyciągnąć wtyczkę sieciową. ▶ Sprawdzić, czy urządzenie jest prawidłowo złożone (rysunek B).
	Urządzenie jest źle złożone.	
Z urządzenia wycieka woda.	Urządzenie zostało przepełnione.	▶ Wylać wodę (patrz rozdział "Rozłożenie urządzenia na części"). ▶ Wysuszyć urządzenie. Wytrzeć wydostającą się wodę.
	Przy składaniu urządzenia zapomniano zmontować jakąś część urządzenia.	▶ Wyciągnąć wtyczkę sieciową. ▶ Sprawdzić, czy urządzenie jest prawidłowo złożone (rysunek B).
	Urządzenie jest źle złożone.	
Urządzenie jest źródłem nieprzyjemnego zapachu.	Urządzenie nie jest napełnione w czasie pracy.	▶ Napełnić urządzenie wodą (patrz rozdział "Napełnianie urządzenia wodą").
	Mata nawilżająca jest zabrudzona.	▶ Wymienić matę nawilżającą (patrz rozdział "Wymiana maty nawilżającej").

Návod k použití

Česky

Strana	Kapitola
20	K tomuto dokumentu
20	Bezpečnostní pokyny
21	Technické údaje
21	Popis přístroje
21	Princip funkce
21	Vybalení přístroje
21	Uvedení přístroje do provozu
22	Zapnutí a vypnutí přístroje
22	Čištění a údržba přístroje
23	Přeprava přístroje
23	Ukládání přístroje
23	Likvidace přístroje
23	Náhradní díly a příslušenství
23	Časté dotazy
24	Všeobecné informace o zvlhčování vzduchu
24	Odstranění poruch

K tomuto dokumentu

Tento návod k použití je součástí tohoto výrobku a je v něm popsáno jeho bezpečné ovládání. Návod k použití je platný výhradně pro zde popsaný výrobek.

- Návod k použití si před uvedením do provozu důkladně přečtěte.
- Návod k použití uchovávejte po celou dobu životnosti výrobku.
- Návod k použití předejte každému dalšímu majiteli, následujícímu majiteli a uživateli výrobku včetně doplňků získaných od výrobce.
- Za škody, které vzniknou v důsledku nedodržení tohoto návodu k použití, nepřebírá výrobce žádné ručení.

Použití v souladu s určením

Přístroj slouží výhradně ke zvlhčování vzduchu v obytných místnostech do 120 m³. Ve větších místnostech nebude možno dosáhnout optimální vlhkost vzduchu (relativní vlhkost vzduchu 50 %). Přístroj nesmí být používán k jiným účelům. Do přístroje nesmí být zasunovány žádné cizí předměty. Přístroj je třeba používat jen k účelům popsaným v tomto návodu k použití.

Záruka

Záruční podmínky stanovuje naše zastoupení pro daný stát. Pokud přístroj vykazuje nedostatky, obraťte se na svého specializovaného prodejce. Pro plnění ze záruky je bezpodmínečně nutný doklad o nákupu.

Shoda s CE a platné směrnice

Splňuje požadavky CE a vyhovuje následujícím směrnici:

- 2006/95/ES pro elektrickou bezpečnost
- 2004/108/ES pro elektromagnetickou kompatibilitu
- 2002/95/ES pro omezení použití určitých nebezpečných látek u elektrických a elektronických přístrojů
- 2002/96/ES o vysloužilých elektrických a elektronických přístrojích

Pokyny a vyobrazení v tomto dokumentu



V tomto dokumentu jsou použity výstražné pokyny, aby se zabránilo zranění nebo věcným škodám. Mají následující strukturu:

VÝSTRAŽNÝ STUPEŇ


Příčina a následek nebezpečí

- ▶ Opatření k zabránění nebezpečí

Existují tyto výstražné stupně:

Výstražný stupeň	Popis
 VÝSTRAHA	Bezprostředně hrozící nebezpečí. Při nedodržení hrozí smrt nebo závažná zranění.
 UPOZORNĚNÍ	Nebezpečná situace. Při nedodržení mohou následovat nepatrná zranění.
OZNÁMENÍ	Kritická situace. Při nedodržení mohou následovat věcné škody.

V tomto dokumentu jsou použity následující symboly, aby byl umožněn rychlý přístup k informacím:

Symbol	Popis
✓	Předpoklad, který musí být splněn před zahájením operace.
▶	Operace o jednom nebo několika krocích, jejichž pořadí není podstatné.
1. 2.	Operace o několika krocích, jejichž pořadí je podstatné.
•	Výčet první úrovně
-	Výčet druhé úrovně
↪	Výsledek jedné nebo několika operací
(viz...)	Odkaz na kapitolu nebo obrázek
	Důležité informace
A 1	Odkaz na číslo pozice v obrázku např. číslo pozice 1 na obrázku A

Bezpečnostní pokyny

- Před použitím přístroje si přečtěte tento návod k použití a uchovávejte jej na bezpečném místě.
- Osoby, které nejsou obeznámeny s návodem k použití, a rovněž děti a osoby pod vlivem léků, alkoholu nebo drog, nesmí přístroj obsluhovat.
- Přístroj používejte jen v souladu s určením a v mezích specifikovaných technickými údaji. Použití v rozporu s určením může ohrozit zdraví a život.
- **A 1** Děti nejsou schopny rozpoznat nebezpečí při zacházení s elektrickými přístroji. Při pobytu dětí v blízkosti přístroje je proto mějte stále pod dohledem.
- Přístroj nepoužívejte v místnostech, kde se nacházejí vznětlivé látky, plyny nebo páry.
- Přístroj neupravujte ani do přístroje nezasunujte žádné cizí předměty.

Při zacházení s elektřinou hrozí nebezpečí ohrožení života v důsledku zasažení elektrickým proudem. Dodržujte následující pokyny, aby se tomu zabránilo:

- Přístroj nevystavujte dešti.
- Přístroj nepoužívejte v místnostech s relativní vlhkostí > 70 %.
- Pokud není přístroj používán, vytáhněte síťovou vidlici.
- **A 2** Síťovou vidlici nikdy nevytahujte ze zásuvky za kabel.
- **A 3** Síťovou vidlici nikdy nevytahujte ze zásuvky nebo nezasunujte do zásuvky mokřými rukama.
- **A 4** Přístroj připojujte jen ke střídavému proudu.
- **B 14** Přístroj používejte jen s napětím v souladu s typovým štítkem na přístroji.
- Přístroj **neuvádějte** do provozu:
 - **A 5** když je poškozen kabel nebo vidlice.
 - po selhání funkce.
 - **A 6** pokud došlo k pádu nebo k jinému druhu poškození.
- **A 7** Opravy elektrických přístrojů smí provádět jen kvalifikovaní elektromechanici. Vadný síťový kabel smí opravit nebo vyměnit jen kvalifikovaný elektromechanik.
- Síťovou vidlici vytáhněte ze zásuvky v těchto případech:
 - před každým vyprázdněním přístroje,
 - před každým čištěním,
 - před každou výměnou odpařovací rohože nebo Ionic Silver Stick[®],
 - před každou montáží nebo demontáží jednotlivých dílů,
 - před každým nadzvednutím horní části,
 - před každým přemístěním.
- **A 8** Spodní část s elektrickým zařízením a ventilátorem nikdy neponořujte do vody nebo jiných tekutin popř. neoplachujte vodou nebo jinými tekutinami.

Dodržujte následující pokyny, aby se zabránilo zraněním:

- **A 9** Přístroj umístěte tak, aby nebylo možno klopýtnout o kabel.
- Přístroj umístěte tak, aby nebylo možno jej převrhnout.
- **A 10** Kabel nepřivírejte do dveří nebo mezi jiné předměty.
- Kabel nezakrývejte.

Dodržujte následující pokyny, aby se tomu zabránilo věcným škodám:

- **A 11** Na přístroj nesedějte a nepokládejte na něj žádné cizí předměty.
- **A 12** Přístroj stavte jen na rovnou, suchou plochu.
- Vstup a výstup vzduchu přístroje bezpodmínečně udržujte volný.
- K plnění přístroje vodou používejte výhradně čisté nádoby.
- Přesvědčte se, že zalévací konev není naplněna hnojivem nebo podobnými substancemi.
- Do přístroje nebo do vodní lázně nepřidávejte žádné přísady.
- **Nepoužívejte** přísady do vody (např. éterické oleje, aromatické látky, prostředky na udržování čistoty vody). Materiál (přístroje) není vhodný pro použití přísad.
- Přístroj uvádějte do provozu jen v kompletně sestaveném a bezvadném stavu.

Technické údaje

	Hodnota
Síťové napětí	230 V / 50 Hz
Příkon	20 W
Zvlhčovací výkon	až 220 g/h
Vhodný pro velikosti místností	až 40 m ²
Kapacita	max. 3,8 l
	min. 0,2 l
Rozměry DxŠxV	320 x 320 x 400 mm
Prázdná hmotnost	3,8 kg
Provozní hlučnost	< 25 dB(A)

Popis přístroje

Přístroj se skládá z těchto částí:

- **B 1** Plnicí otvor
- **B 2** Horní část s plnicím otvorem
- **B 3** Sestava plováku (B 16–19)
- **B 4** Ionic Silver Stick® (ISS)
- **B 5** Vodní lázeň (B 5–7)
- **B 6** Hranice plnění
- **B 7** Držadla lázně
- **B 8** Výtok
- **B 9** Značka upozornění pro Ionic Silver Stick® (ISS)
- **B 10** Síťový kabel/Síťová vidlice
- **B 11** Spodní část (B 11–14)
- **B 12** Ventilátor
- **B 13** Posuvný spínač (B 20–21)
- **B 14** Výkonový štítek (na spodní straně přístroje)

Sestava plováku se skládá z těchto částí:

- **B 15** Hrot plováku
- **B 16** Kroužek stavu naplně (maximálně 3,8 l)
- **B 17** Odpařovací rohož A7018
- **B 18** Koš plováku
- **B 19** Těleso plováku

Posuvný spínač se skládá z těchto částí:

- **B 20** Posuvný spínač
- **B 21** Indikátor provozu

Druhy provozu

Posuvným spínačem lze nastavit tyto druhy provozu:

Poloha	Funkce
0	Přístroj je vypnutý
I	Přístroj pracuje na noční provoz (s nízkou hlučností)
	Indikátor provozu změní barvu na zelenou
II	Přístroj pracuje na normální provoz (maximální zvlhčovací výkon)
	Indikátor provozu svítí zeleně

Indikátor provozu

Jakmile je přístroj zapnutý, svítí indikátor provozu zeleně. Když je vodní lázeň nadzvednuta ze spodní části, změní se světlo LED ze zeleného na červené, provoz přístroje se přeruší, přístroj však není bez proudu. Teprve po opětovném nasazení vodní lázně na spodní část se změní se červené světlo LED na zelené a přístroj pokračuje v provozu.

Výkonový štítek

B 14 Na výkonovém štítku jsou uvedeny tyto informace:

- Název výrobku
- Síťové napětí
- Příkon
- Třída ochrany
- Číslo výroby
- Datum výroby
- Značka shody CE

i Údaje na výkonovém štítku na obrázcích představují jen příklad. Zkontrolujte údaje na výkonovém štítku vašeho přístroje.

Princip funkce

Při plnění přístroje se plovákový spínač zvedá spolu s hladinou vody. Když hladina vody dosáhne hranice plnění, uzavře hrot plováku plnicí otvor přístroje. Odpařovací rohož zcela nasákne vodou. Ventilátor protlačuje suchý vzduch z místnosti vlhkou rohoží a vytlačuje dostatečně zvlhčený vzduch. Cíleně vedeným proudem vzduchu je možno dosáhnout téměř konstantního zvlhčení při každém stavu vody. Přístroj vytváří téměř optimální vlhkost vzduchu aniž by byly nutné přidavné řídicí jednotky.

Ionic Silver Stick® k udržování čistoty vody

B 4 Speciálně přizpůsobený antibakteriální ochranný systém Silver Stick® zabraňuje vytváření choroboplodných zárodků a bakterií ve vodě vodní lázně. K udržování čistoty vody proto nejsou nutné žádné chemické přísady.

Ionic Silver Stick® je samoobnovitelný a bezúdržbový a lze jej používat podobu jednoho roku.

Značka upozornění

B 9 Přístroj je standardně vybaven značkou upozornění na nutnost výměny Ionic Silver Stick®. Abyste později věděli, kdy byl Ionic Silver Stick® uveden do provozu, zakroužkujte na značce aktuální měsíc a na určený řádek запиšte aktuální rok.

Vybalení přístroje

i Přístroj je při přepravě kompletně sestaven a je již vybaven jednou odpařovací rohoží.

i Těleso plováku je součástí sestavy plováku a nepatří k balení.

UPOZORNĚNÍ

Nebezpečí zranění padajícími díly!

- ▶ Přístroj při vybalování a zvedání držte vždy za spodní část.

OZNÁMENÍ

Při odstranění tělesa plováku hrozí nebezpečí poškození přístroje!

- ▶ Těleso plováku při vybalování přístroje neodstraňujte.

1. Otevřete balení.
2. **C 1** Sejměte horní část polystyrénového obalu.
3. **C 2** Zasáhněte do plnicího otvoru přístroje a pevně uchopte horní konec plastového sáčku.
4. **C 3** Opatrně vytáhněte plastový sáček spolu s přístrojem z obalu. Plastový sáček přitom pevně držte a při vyjmutí z obalu jej nepouštějte.
5. **C 5** Plastový sáček s přístrojem postavte na podlahu a plastový sáček stáhněte z přístroje směrem dolů.
6. **C 6** Uchopte přístroj za spodní část a vyzvedněte jej z plastového sáčku.
↳ Všechny části obalu a rovněž plastový sáček jsou odstraněny z přístroje.
7. **B 14** Zkontrolujte údaje síťového připojení na výkonovém štítku.
8. **B** Zkontrolujte, zda jsou k dispozici všechny části přístroje.

Uvedení přístroje do provozu

Umístění přístroje

OZNÁMENÍ

Hrozí nebezpečí poškození plastu působením vysokých teplot!

- ▶ Přístroj nevystavujte teplotám > 50 °C.

Při instalaci přístroje dodržujte tyto pokyny:

- **A 14** Dbejte na dobrou přístupnost a dostatečný prostor pro údržbu a čištění přístroje.
- Přístroj uvádějte do provozu jen v naplněném stavu!

1. Přístroj postavte na podlahu nebo na rovnou, suchou plochu v místnosti.
2. Naplňte přístroj (viz kapitola "Plnění přístroje").

Plnění přístroje

Při plnění přístroje vodou existují tyto možnosti:

- prostřednictvím plnicího otvoru v horní části nebo
- přímo z kohoutku do vyjmuté vodní lázně.

- ✓ V přístroji se nenacházejí žádné cizí předměty.
- ✓ **B** Přístroj je předepsaným způsobem sestaven.

i Po delší nečinnosti by měl být přístroj vyprázdněn a vyčištěn. Před dalším uvedením do provozu musí být přístroj naplněn čistou vodou. V opačném případě dochází k obtěžujícímu zápachu.

OZNÁMENÍ

Nebezpečí poškození a trhlín v plastu v důsledku působení přísady ve vodě!

- ▶ Do vody nedávejte žádné přísady (např. éterické oleje nebo jiné aromatické látky).
- ▶ Přesvědčte se, že před plněním z nádoby se v této nádobě nenacházely žádné přísady rozpustné ve vodě (např. hnojivo na rostliny).

OZNÁMENÍ

Poškození vodou při přeplnění!

- ▶ Při plnění se nesmí překročit čára stavu náplně označující maximální množství náplně 3,8 l.

Plnění přístroje prostřednictvím plnicího otvoru:

1. **D 1** Přístroj naplňujte pomocí čisté nádoby (např. džbánu).
2. **D 2** Pomocí čisté nádoby nalijte čistou, studenou vodu do plnicího otvoru v horní části.
3. **D 3** Plnění přístroje zastavte, jakmile se v plnicím otvoru objeví kroužek stavu náplně plováku.

→ Přístroj je naplněn vodou a je možno jej zapnout.

Plnění přístroje prostřednictvím vodní lázně:

- ✓ **E 1** Přístroj je vypnutý a síťová vidlice je vytažena (viz kapitola "Vypnutí a zapnutí přístroje").

1. **E 2** Nadzvedněte horní část ze spodní části.
2. **E 3** Vodní lázeň včetně sestavy plováku zvedněte za držadla lázně.
3. **E 4** Čistou, studenou vodu naplňte přímo do vodní lázně.
4. **E 4** Vodu nalévejte tak dlouho, až je dosaženo maximální hranice plnění vyznačené na vnitřní straně vodní lázně.
5. Naplněnou vodní lázeň včetně sestavy plováku nasadte na spodní část.
6. Nasadte horní část na spodní část.

→ Přístroj je naplněn vodou a je možno jej zapnout.

Zapnutí a vypnutí přístroje

i Jestliže je přístroj uveden do provozu s prázdnou vodní lázní popř. se vodní lázeň během provozu vyprázdní, odpařovací rohož se vysuší, takže již dále neprobíhá zvlhčování a může dojít k nepříjemnému zápachu.

✓ Přístroj je naplněn vodou.

1. Síťovou vidlici zasuňte do zásuvky.
 2. Posuvný spínač podle potřeby nastavte do polohy I nebo polohy II (viz kapitola "Druhy provozu").
- Přístroj je zapnutý.

1. Posuvný spínač nastavte do polohy 0.

⚠ VÝSTRAHA

Nebezpečí ohrožení života v důsledku zasažení elektrickým proudem!

- ▶ Vidlici nevytahujte ze zásuvky vlhkými rukama.

2. **E 1** Vytáhněte síťovou vidlici.
- Přístroj je vypnutý a je bez proudu.

Čištění a údržba přístroje

S postupující dobou provozu se sací a odpařovací výkon odpařovací rohože snižuje. Pravidelná údržba a čištění přístroje je proto předpokladem bezproblémového a bezporuchového provozu.

OZNÁMENÍ

Nebezpečí poškození plastu v důsledku použití nevhodných čisticích prostředků!

- ▶ Nepoužívejte žádné čisticí prostředky obsahující kyseliny.
- ▶ Přístroj otřete vlhkým hadrem.

Intervaly čištění a údržby

Doporučené intervaly čištění a údržby závisí na kvalitě vzduchu a vody a rovněž na skutečné době provozu.

Interval	Činnost
1x denně	Zkontrolujte stav vody, popř. doplňte vodu (viz kapitola "Plnění přístroje")
od 1 týdne bez provozu	Přístroj vyprázdňte a vyčistěte (viz kapitola "Rozebrání a vyprázdnění přístroje")
každé 2 týdny	Vyčistěte vodní lázeň (viz kapitola "Čištění vodní lázně")
každých 10–12 týdnů (nebo podle potřeby)	Vyměňte odpařovací rohož (viz kapitola "Výměna odpařovací rohože")
1–2x ročně	Vyčistěte ventilátor (viz kapitola "Čištění ventilátoru")
1x ročně	Ionic Silver Stick® (viz kapitola "Výměna Ionic Silver Stick®")

Rozebrání a vyprázdnění přístroje

Za účelem čištění lze přístroj pomocí několika ručních úkonů rozložit.

⚠ VÝSTRAHA

Nebezpečí ohrožení života v důsledku zasažení elektrickým proudem!

- ▶ Vidlici nevytahujte ze zásuvky vlhkými rukama.

✓ **F 1** Přístroj je vypnutý a síťová vidlice je vytažená

1. **F 3** Nadzvedněte horní část ze spodní části.
2. **F 4** Vodní lázeň včetně sestavy plováku zvedněte za držadla lázně, která jsou k tomu určena.
3. **F 5** Zbývající vodu z vodní lázně vyprázdňte prostřednictvím výtoku.
4. **F 6** Sestavu plováku vyjměte z prázdné vodní lázně.

⚠ VÝSTRAHA

Nebezpečí ohrožení života v důsledku zasažení elektrickým proudem!

- ▶ Vodu nevyprázdňujte přes elektrické zařízení.

5. Pokud je voda ve spodní části: spodní část vyprázdňte a vysušte.

→ Přístroj je třeba rozebrat a vyprázdnit.

Čištění vodní lázně

✓ Přístroj je třeba rozebrat a vyprázdnit

⚠ VÝSTRAHA

Nebezpečí ohrožení života v důsledku zasažení elektrickým proudem!

- ▶ Před čištěním vytáhněte síťovou vidlici.
- ▶ Spodní část s elektrickým zařízením a ventilátorem nevystavujte působení vody.

1. **G 1** Vodní lázeň vymyjte vlažnou vodou.
2. **G 2** K důkladnému vyčištění vodní lázně použijte běžný mycí kartáč.
3. K odvápnění vodní lázně použijte k tomu doporučený odvápnovací prostředek (viz kapitola "Náhradní díly a příslušenství").
4. Díly po čištění vysušte.
5. Sestavu plováku vložte správně do prázdné vodní lázně.
6. Sestavte přístroj (viz kapitola "Sestavení přístroje").

Čištění ventilátoru

✓ Přístroj je třeba rozebrat a vyprázdnit.

1. **G 3** Ventilátor otřete mírně navlhčenou utěrkou nebo čisticím hadrem.
2. Díly po čištění vysušte.
3. Sestavte přístroj (viz kapitola "Sestavení přístroje").

Výměna odpařovací rohože

Při silném znečištění, zvápenatění, zápachu, sníženém sacím výkonu apod. je třeba odpařovací rohož vyměnit. Odpařovací rohože obdržíte u specializovaného prodejce, u něhož jste přístroj zakoupili.

✓ Přístroj je třeba rozebrat a vyprázdnit.

i Používejte originální odpařovací rohože od výrobce (viz kapitola "Náhradní díly a příslušenství").

OZNÁMENÍ

Nebezpečí poškození vlhké odpařovací rohože při praní a židmání!

- ▶ Odpařovací rohož neperte a neždímejte.

1. **H 1** K otevření sestavy plováku otáčejte hrotem plováku proti směru hodinových ručiček (šipka OPEN) a zvedněte nahoru.
2. **H 2** Použitou odpařovací rohož vytáhněte z koše plováku směrem nahoru a zlikvidujte.

OZNÁMENÍ

Při odstranění tělesa plováku hrozí nebezpečí poškození přístroje!

▶ Těleso plováku při vybalování přístroje neodstraňujte.

3. **H 3** Novou odpařovací rohož nasadte na koš plováku.

- H 4** K zavření sestavy plováku nasadíte hrot plováku na koš plováku a odpařovací rohož, stlačte dolů a zašroubujte ve směru hodinových ručiček (šipka CLOSE).
- Ke kontrole mírně zatáhněte za hrot plováku směrem nahoru. Přitom se hrot plováku nesmí nechat nadzvednout z koše plováku.
- Popř. ještě jednou otočte hrot plováku a zkontrolujte.
- Sestavu plováku vložte správně do prázdné vodní lázně.
- Sestavte přístroj (viz kapitola "Sestavení přístroje").

Výměna Ionic Silver Stick®

✓ Přístroj je třeba rozebrat a vyprázdnit.

- Ionic Silver Stick® vyjměte ze dna vodní lázně a zlikvidujte.
- Nový Ionic Silver Stick® vložte do uchycení na dně vodní lázně.
- Sestavu plováku vložte správně do prázdné vodní lázně.
- Sestavte přístroj (viz kapitola "Sestavení přístroje").

Sestavení přístroje

✓ Přístroj je třeba rozebrat a vyprázdnit.

- Sestavu plováku vložte správně do vodní lázně.
 - B 5** Vodní lázeň včetně sestavy plováku nasadíte do spodní části na držadlech lázně.
 - Nasadíte horní část na spodní část.
 - B** Zkontrolujte, že je přístroj správně sestaven.
 - Přesvědčte se, že se v přístroji nenacházejí žádné cizí předměty.
- ↳ Přístroj je sestaven.

Přeprava přístroje

UPOZORNĚNÍ

Nebezpečí zranění padajícími díly!

- ▶ Přístroj při vybalování a zvedání držte vždy za spodní část.

OZNÁMENÍ

Hrozí poškození vodou v důsledku vyšpíchnutí vody!

- ▶ Před přepravou vyprázdněte přístroj.

- Vyprázdněte přístroj (viz kapitola "Rozebrání a vyprázdnění přístroje").
- Vysušte přístroj.
- Přístroj zvedněte za spodní část a přeneste na požadované místo.

Ukládání přístroje

- Vyčistěte přístroj (viz kapitola "Čištění a údržba přístroje").
- Vysušte přístroj.
- Přístroj zabalte přednostně do originálního obalu.

- Přístroj uchovávejte na suchém, chladném místě.

Likvidace přístroje

Vysloužilý přístroj předejte specializovanému prodejci k odborné likvidaci. Při likvidaci dodržujte platné národní předpisy. O dalších možnostech likvidace se informujte na obecním nebo městském úřadu.

Náhradní díly a příslušenství

Náhradní díly a příslušenství můžete získat u svého specializovaného prodejce a sami je v přístroji vyměnit. Smí být používány jen originální díly výrobce. Opravy smí provádět jen kvalifikovaní elektromechanici. To platí také pro vadný síťový kabel.

Příslušenství	Označení
Odpařovací rohož	A7018
Ionic Silver Stick®	A7017
Odvápňovací prostředek	A7417

Časté dotazy

D. Proč je vlhkost vzduchu v místnosti příliš nízká?

- Jak často přístroj používáte? Jestliže je přístroj v provozu jen v noci, ztratí přes den svou vlhkost, protože není přiváděn vzduch o konstantní vlhkosti.
- Dřevo, kůže, koberce, záclony a jiné materiály pohlcují mnoho vlhkosti, přičemž odnímají vlhkost vzduchu v místnosti. Když je otevřeno okno, může vlhkost z místnosti unikat.

Častou příčinou je, že je přístroj postaven u topidla, aby se vlhkost prostřednictvím horkého vzduchu rychle rozdělila v místnosti. To však nefunguje. Vycházející horký vzduch však pohltí hlavní část vlhkosti ještě předtím, než se tato vůbec dostane do vzduchu v místnosti.

D. Mám během provozu přístroje nechat dveře otevřené nebo zavřené?

- Při otevřených dveřích se vlhkost ztrácí v prostoru a rozděluje se i do ostatních oblastí domu. Pokud chcete zvýšit vlhkost v určité místnosti, je třeba dbát na to, aby dveře této místnosti zůstaly během provozu přístroje zavřené.

D. Jak vysoká by měla být vlhkost vzduchu v místnosti?

- Doporučuje se vlhkost vzduchu 40–60 %.

D. Jaké jsou důsledky příliš vysoké nebo příliš nízké vlhkosti vzduchu?

- Suchý vzduch může vést k suché pokožce, elektrostatickým nábojům, k rozladování hudebních nástrojů, zvýšenému usazování prachu, poškození předmětů ze dřeva (vysychání a praskání), k indispozicím, nemocem a k vysychání nosní sliznice. Příliš vysoká vlhkost vzduchu může vést k plesnivění a k odlepení tapet.

D. Proč potřebuji zvlhčovač, když mohu jednoduše otevřít okno?

- Vlhkost venkovního vzduchu není dostatečná k tomu, aby se zvýšila vlhkost v místnosti.

D. Kam bych měl postavil zvlhčovač?

- Přístroj by měl stát volně a nikoli u stěny, okna, dveří nebo u tepelného mostu, aby vzduch mohl kolem přístroje volně cirkulovat.

D. Je špatné, když přístroj běží nasucho?

- Pokud je nebezpečí chodu nasucho, např. když nemůžete doplnit vodu, potom před opuštěním místnosti vypněte přístroj. Bez vody nemůže přístroj zvlhčovat vzduch a to může vést k obtěžujícímu zápachu.

D. Může být přístroj používán po celý rok?

- Ano, přístroj můžete používat po celý rok? Přístroj vytváří relativní vlhkost vzduchu až do nasycení vzduchu v místnosti. Proto nemůže přístroj docílit toho, aby byl vzduch "příliš vlhký".

D. Mohu vodní lázeň čistit v myčce nádobí?

- Ne, vodní lázeň nečistěte v myčce nádobí, protože se roztaví.

Všeobecné informace o zvlhčování vzduchu

Věděli jste, že suchý vzduch v místnosti

- vysušuje sliznici a vyvolává rovněž praskání rtů a pálení očí?
- podporuje infekce a onemocnění dýchacích cest?
- vede k únavě, malátnosti a poruchám koncentrace?
- zatěžuje domácí zvířata a pokojové květiny?
- podporuje usazování prachu a elektrostaticky nabíjí textilie ze syntetických vláken, koberce a plastové podlahy?
- poškozuje zařizovací předměty ze dřeva a speciální parketové podlahy?
- rozladí hudební nástroje?

Dobrý zdravotní stav člověka a zvířete závisí na mnoha vlivech. Jedním z nich je správně zvlhčený vzduch. Během topné sezóny se studený venkovní vzduch, který proudí okny do obytné místnosti, ohřívá. To vede k masivnímu poklesu relativní vlhkosti vzduchu. Pro rostliny a zvířata je to nevhodné klima, dřevěné předměty a nábytek vysychají, lidé se cítí indisponováni a ve zvýšené míře se u nich projevuje náchylnost k nemocem z nachlazení. Klima v místnosti je zpravidla příjemné tehdy, když je relativní vlhkost mezi 40 a 60 %. Zvlhčování vzduchu je účelné zvláště v zimních měsících.

Odstranění poruch

i Opravy elektrických přístrojů smí provádět jen kvalifikovaní elektromechanici. Při neodborných opravách může hrozit značné nebezpečí pro uživatele a ztráta nároků na plnění ze záruky.

VÝSTRAHA

Nebezpečí ohrožení života v důsledku zasažení elektrickým proudem!

- ▶ Na částech elektrické výbavy neprovádějte žádné opravy.

Porucha	Příčina	Řešení
Přístroj nefunguje.	Síťová vidlice není zasunutá.	▶ Zasuňte síťovou vidlici a zapněte přístroj.
	Při sestavení nebyla vložena vodní lázeň.	▶ Vložte vodní lázeň (viz kapitola "Sestavení přístroje").
Skřípavé zvuky	Vodní lázeň je nesprávně vložena.	▶ Vložte správně vodní lázeň (viz kapitola "Sestavení přístroje").
Vzduch není zvlhčován	Není voda ve vodní lázni.	▶ Naplňte vodní lázeň (viz kapitola "Plnění přístroje").
	Odpařovací rohož je zvápenatělá.	▶ Vyměňte odpařovací rohož (viz kapitola "Výměna odpařovací rohože").
Hrot plováku s červeným kroužkem stavu náplně není při plnění vidět.	Při sestavování byl zapomenut některý díl přístroje.	▶ Vytáhněte síťovou vidlici. ▶ Zkontrolujte, zda je přístroj správně sestaven (obr. B).
	Přístroj je nesprávně sestaven.	
Přístroj ztratil vodu.	Přístroj byl přeplněn.	▶ Vyprázdněte vodu (viz kapitola "Rozebrání přístroje"). ▶ Vysušte přístroj. Přitom vytřete vyteklou vodu.
	Při sestavování byl zapomenut některý díl přístroje.	▶ Vytáhněte síťovou vidlici. ▶ Zkontrolujte, zda je přístroj správně sestaven (obr. B).
	Přístroj je nesprávně sestaven.	
Přístroj vydává nepříjemný zápach.	Přístroj při provozu není plněn.	▶ Naplňte přístroj (viz kapitola "Plnění přístroje").
	Odpařovací rohož je znečištěná.	▶ Vyměňte odpařovací rohož (viz kapitola "Výměna odpařovací rohože").

Navodila za uporabo

Slovenska

Stran	Poglavje
25	0 tem dokumentu
25	Varnostni napotki
26	Tehnični podatki
26	Opis naprave
26	Princip delovanja
26	Odstranjevanje naprave iz embalaže
26	Začetek uporabe naprave
27	Vklop/izklop naprave
27	Čiščenje in vzdrževanje naprave
28	Prevažanje naprave
28	Skladiščenje naprave
28	Odstranjevanje naprave
28	Nadomestni deli in oprema
28	Pogosto zastavljena vprašanja
29	Splošne informacije o vlaženju zraka
29	Odpravljanje motenj

0 tem dokumentu

Ta navodila za uporabo so del izdelka in opisujejo njegovo varno uporabo. Navodila za uporabo veljajo izključno za tukaj omenjen izdelek.

- Pred začetkom uporabe temeljito preberite navodila za uporabo.
- Navodila za uporabo shranite za celotno življenjsko dobo izdelka.
- Navodila za uporabo predajte vsem nadaljnjim lastnikom in uporabnikom izdelka, priložite pa tudi morebitna dopolnila, ki ste jih pridobili od proizvajalca.
- Za škodo, ki bi nastala zaradi neupoštevanja teh navodil za uporabo, proizvajalec odklanja vsakršno odgovornost.

Namenska uporaba

Naprava je namenjena izključno vlaženju zraka v stanovanjskih prostorih s prostornino do 120 m³. V večjih prostorih morda ne bo mogoče doseči optimalne zračne vlage (50 % relativne zračne vlage). Naprave ni dovoljeno uporabljati v druge namene. V napravo ni dovoljeno vtakniti drugih predmetov. Naprava je namenjena samo za v teh navodilih za uporabo opisane načine uporabe.

Garancija

Garancijska določila določa naš zastopnik za določeno državo. Če se na napravi pojavi pomanjkljivost, se obrnite na svojega strokovnega prodajalca. Za uveljavljanje garancije je obvezna predložitev računa.

Skladnost z zahtevami za oznako CE in veljavne direktive

Naprava je skladna z zahtevami za oznako CE in naslednjimi direktivami:

- 2006/95/ES za električno varnost
- 2004/108/ES za elektromagnetno združljivost
- 2002/95/ES za omejevanje uporabe nekaterih nevarnih snovi v električnih in elektronskih napravah
- 2002/96/ES o starih električnih in elektronskih napravah

Napotki in oznake v tem dokumentu

V tem dokumentu so navedena opozorila za izogibanje telesnim poškodbam in materialni škodi. Sestavljena so na naslednji način:

STOPNJA OPOZORILA

Vzrok in posledice nevarnosti

- Ukrep za izogibanje nevarnosti

Obstajajo naslednje stopnje opozoril:

Stopnja opozorila	Opis
 OPOZORILO	Možnost grozeče nevarnosti. V primeru neupoštevanja navodil lahko pride do smrti ali hudih telesnih poškodb.
 POZOR	Nevarna situacija. V primeru neupoštevanja navodil lahko pride do manjših telesnih poškodb.
OBVESTILO	Kritična situacija. V primeru neupoštevanja navodil lahko pride do materialne škode.

V tem dokumentu se uporabljajo naslednji simboli, ki omogočajo hitre dostop do informacij:

Simbol	Opis
✓	Predpogoj, ki mora biti izpolnjen pred začetkom dela.
►	Delo z enim ali več koraki, kjer zaporedje ni pomembno.
1. 2.	Delo z več koraki, kjer je pomembno zaporedje.
•	Prva raven naštevanja
-	Druga raven naštevanja
↪	Rezultat enega ali več del
(glejte...)	Sklic na poglavje ali sliko
i	Pomembne informacije
A 1	Sklic na številko postavke na sliki, v tem primeru na številko 1 v sliki A

Varnostni napotki

- Pred uporabo naprave preberite ta navodila za uporabo in jih shranite na varnem mestu.
- Osebe, ki niso seznanjene z navodili za uporabo, otroci in osebe, ki so pod vplivom zdravil, alkohola ali drog, naprave ne smejo uporabljati.
- Napravo je dovoljeno uporabljati izključno namensko in skladno s podanimi tehničnimi podatki. Nenamenska uporaba lahko ogroža zdravje in življenje.
- **A 1** Otroci ne morejo prepoznati nevarnosti, ki so prisotne pri delu z električnimi napravami. Zaradi tega vedno nadzorujte otroke, ko se zadržujejo v bližini naprave.

- Naprave ne uporabljajte v prostorih, kjer so prisotne gorljive snovi, plini ali hlapi.
- Naprave ne spreminjajte in vanjo ne vtikajte drugih predmetov.

Pri delu z elektriko je prisotna smrtna nevarnost zaradi električnega udara. Za izogibanje nesreči upoštevajte naslednje napotke:

- Naprave na postavljanje na dež.
- Naprave ne uporabljajte v prostorih, kjer relativna zračna vlaga znaša > 70 %.
- Če naprave ne uporabljate, izvlecite omrežni vtič.
- **A 2** Omrežnega vtiča iz vtičnice nikoli ne vlecite za kabel.
- **A 3** Omrežnega vtiča iz vtičnice nikoli ne vlecite in ga v vtičnico nikoli ne vtaknite z mokrimi rokami.
- **A 4** Napravo priključite izključno na izmenično napetost.
- **B 14** Napravo uporabljajte izključno z napetostjo, ki je predpisana na tipski tablici naprave.
- Naprave **ne** uporabljajte:
 - **A 5** ko sta poškodovana kabel ali vtič.
 - po okvari.
 - **A 6** če je naprava padla po tleh ali se je poškodovala na kak drug način.
- **A 7** Popravila na električnih napravah smejo opravljati samo strokovnjaki. Pokvarjen omrežni kabel sme popraviti/zamenjati samo strokovnjak.
- Omrežni vtič v naslednjih primerih izvlecite iz omrežne vtičnice:
 - pred vsakim praznjenjem naprave,
 - pred vsakim čiščenjem,
 - pred vsako menjavo vlažilne obloge ali vložka Ionic Silver Stick®,
 - pred vsako vgradnjo/odstranjevanjem posameznih delov,
 - pred vsakim dvigovanjem zgornjega dela,
 - pred vsakim premestitvijo.
- **A 8** Spodnjega dela z električno opremo in ventilatorjem nikoli ne potopite v vodo ali druge tekočine, na primer zaradi spiranja z vodo ali drugimi tekočinami.

Za izogibanje telesnim poškodbam upoštevajte naslednje napotke:

- **A 9** Napravo postavite tako, da se ne boste spotikali ob kabel.
- Napravo postavite tako, da vanjo ne bo nihče trčil.
- **A 10** Kabla ne zmečkajte z vrati ali drugimi predmeti.
- Kabla ne pokrivajte.

Za izogibanje materialni škodi upoštevajte naslednje napotke:

- **A 11** Ne sedajte na napravo in nanjo ne polagajte drugih predmetov.
- **A 12** Napravo postavite na ravno in suho podlago.
- Obvezno pazite, da sta dovod in odvod zraka vedno prosta.
- Pri polnjenju naprave uporabljajte izključno čiste posode.
- Poskrbite, da škropilnica, ki jo uporabite za dolivanje, ni napolnjena z gnojilom ali podobnimi snovmi.
- V napravo ali kad za vodo ne dajajte dodatkov.

- **Ne** uporabljajte dodatkov za vodo (npr. eteričnih olj, dišavnih snovi, sredstev za vzdrževanje čistoče vode). Material ni primeren za uporabo dodatkov.
- Napravo je dovoljeno uporabljati samo v popolnoma sestavljenem in brezhibnem stanju.

Tehnični podatki

	Vrednost
Omrežna napetost	230 V / 50 Hz
Poraba moči	20 W
Zmogljivost vlaženja	do 220 g/h
Primerno za velikosti sob	do 40 m ²
Prostornina	največ 3,8 l
	najmanj 0,2 l
Dimenzije (DxŠxV)	320 x 320 x 400 mm
Teža prazne naprave	3,8 kg
Glasnost med delovanjem	< 25 dB(A)

Opis naprave

Napravo sestavljajo naslednji deli:

- **B 1** Polnilna odprtina
- **B 2** Zgornji del s polnilno odprtino
- **B 3** Komplet s plovcem (B 16–19)
- **B 4** Vložek Ionic Silver Stick® (ISS)
- **B 5** Kad za vodo (B 5–7)
- **B 6** Meja polnjenja
- **B 7** Ročaja kadi
- **B 8** Izliv
- **B 9** Opomnik za vložek Ionic Silver Stick® (ISS)
- **B 10** Omrežni kabel/vtič
- **B 11** Spodnji del (B 11–14)
- **B 12** Ventilator
- **B 13** Drсно stikalo (B 20–21)
- **B 14** Tablica s podatki (na spodnji strani naprave)

Komplet s plovcem sestavljajo naslednji deli:

- **B 15** Konica plovca
- **B 16** Obroč za prikaz napoljenosti (največ 3,8 l)
- **B 17** Vlažilna obloga A7018
- **B 18** Košara plovca
- **B 19** Telo plovca

Drсно stikalo sestavljajo naslednji deli:

- **B 20** Drсно stikalo
- **B 21** Prikaz delovanja

Načini delovanja

Z drsnim stikalom lahko nastavite naslednje načine delovanja:

Položaj	Funkcija
0	Naprava je izključena
I	Naprava deluje v nočnem načinu (malo hrupa)
	Prikaz delovanja se preklopi na zeleno barvo
II	Naprava deluje v običajnem načinu (največja zmogljivost vlaženja)
	Prikaz delovanja sveti zeleno

Prikaz delovanja

Prikaz delovanja sveti zeleno takoj, ko vključite napravo. Če kad za vodo dvignete iz spodnjega dela, se zelena lučka LED preklopi na rdečo barvo in se delovanje naprave prekine, vendar je naprava še naprej pod napetostjo. Šele ko kad za vodo znova postavite na spodnji del, se rdeča lučka LED znova preklopi na zeleno in delovanje naprave se nadaljuje.

Tablica s podatki

B 14 Na tablici s podatki so prikazane naslednje informacije:

- Ime izdelka
- Omrežna napetost
- Poraba moči
- Zaščitni razred
- Proizvodna številka
- Proizvodni datum
- Znak za skladnost

i Navedbe na tablici s podatki na sliki so samo primeri. Prosimo, da preverite podatke na tablici s podatki za svojo napravo.

Princip delovanja

Pri polnjenju naprave se plavajoče stikalo dvigne skupaj z ravnijo vode. Ko raven vode doseže mejo polnjenja, konica plovca zapre polnilno odprtino naprave. Vlažilna obloga se napije vode. Ventilator potiska suhi zrak zraka prostora skozi vlažno oblogo, potem pa ga primerno ovlaženega vrne v prostor. S preišljenim pretokom zraka je mogoče zelo stalno vlaženje, ne glede na količino vode. Naprava na ta način doseže optimalno zračno vlago brez dodatnih krmilnikov.

Vložek Ionic Silver Stick® za ohranjanje čistoče vode

B 4 Posebni sistem za zaščito pred bakterijami Ionic Silver Stick® preprečuje, da bi se v vodi v kadi tvorile klice in bakterije. Na ta način za ohranjanje čistoče vode niso potrebni kemični dodatki. Vložek Ionic Silver Stick® se samodejno obnavlja, ne potrebuje vzdrževanja in je uporaben eno leto.

Opomnik

B 9 Naprava je serijsko opremljena z opomnikom za menjavo vložka Ionic Silver Stick®. Da boste tudi pozneje vedeli, kdaj ste začeli uporabljati vložek Ionic Silver Stick®, na ustrezni vrstici opomnika prekrizajte trenutni mesec in leto.

Odstranjevanje naprave iz embalaže

i Naprava je ob dobavi popolnoma sestavljena in opremljena z vlažilno oblogo.

i Telo plovca je del kompleta s plovcem in ni del embalaže.

POZOR

Nevarnost poškodb zaradi padajočih delov!

- ▶ Pri odstranjevanju embalaže in dvigovanju napravo vedno primite za spodnji del.

OBVESTILO

Škoda na napravi zaradi odstranjevanja tela plovca!

- ▶ Pri odstranjevanju embalaže iz naprave ne odstranite plovca.

1. Odprite embalažo.
 2. **C 1** Odstranite zgornji del stiroporne embalaže.
 3. **C 2** Sežite v polnilno odprtino naprave in trdno primite zgornji del plastične vreče.
 4. **C 3** Plastično vrečo skupaj z napravo previdno potegnite iz embalaže. Plastično vrečo trdno primite in je ne izpustite, ko napravo odstranite iz embalaže.
 5. **C 5** Plastično vrečo z napravo odložite na tla, potem pa plastično vrečo potisnite navzdol z naprave.
 6. **C 6** Napravo primite za spodnji del in jo dvignite iz plastične vreče.
- ↳ Z naprave so zdaj odstranjeni vsi deli embalaže in plastična vreča.
7. **B 14** Preverite podatke za omrežno napetostna tablici s podatki.
 8. **B** Preverite, ali so prisotni vsi deli naprave.

Začetek uporabe naprave

Postavitev naprave

OBVESTILO

Visoke temperature lahko poškodujejo plastiko!

- ▶ Naprave ne izpostavljajte temperaturam > 50 °C.

Pri postavitvi naprave upoštevajte naslednje napotke:

- **A 14** Pazite na dobro dostopnost in zadosten prostor za vzdrževanje ter čiščenje naprave.
- Napravo začnite uporabljati šele takrat, ko je napolnjena!

1. Napravo postavite na tla ali na drugo ravno in suho podlago v prostoru.
2. Napolnite napravo (glejte poglavje "Polnjenje naprave").

Polnjenje naprave

Napravo lahko z vodo napolnite na več načinov:

- preko polnilne odprtine na zgornjem delu ali
- neposredno v odstranjeno kad z vodo iz pipe.

- ✓ V napravi ne sme biti drugih predmetov
- ✓ **B** Naprava je pravilno sestavljena.

i Če naprava dalj časa miruje, jo izpraznite in očistite. Pred ponovno uporabo morate napravo napolniti s čisto vodo. Sicer se lahko razvije neprijeten vonj.

OBVESTILO

Poškodbe in razpoke v plastiki zaradi dodatkov v vodi!

- ▶ V vodo ne dajate dodatkov (npr. eteričnih olj ali drugih dišavnih snovi).
- ▶ Pred polnjenjem s posodo preverite, da v posodi ni topljivih dodatkov (npr. gnojila).

OBVESTILO

Škoda zaradi vode pri prekomernem polnjenju!

- ▶ Pri polnjenju ne presežite največje količine polnjenja, ki znaša 3,8 l in jo označuje črta za polnjenje.

Napravo napolnite skozi polnilno odprtino:

1. **D 1** Napravo napolnite s čisto posodo (na primer vrčkom).
 2. **D 2** S čisto posodo nalijte svežo hladno vodo v polnilno odprtino zgornjega dela.
 3. **D 3** S polnjenjem naprave prenehajte, ko se v polnilni odprtini prikaže rdeči obroč za prikaz napolnjenosti.
- ↳ Naprava je zdaj napolnjena z vodo in jo lahko vključite.

Polnjenje naprave s polnjenjem kadi za vodo:

- ✓ **E 1** Izključite napravo in izvlecite omrežni vtič (glejte poglavje "Vklop/izklop naprave").
1. **E 2** Zgornji del dvignite s spodnjega dela.
 2. **E 3** Kad za vodo skupaj s kompletom s plovcem primite za ročaja kadi in dvignite.
 3. **E 4** Neposredno v kad za vodo natočite svežo hladno vodo.
 4. **E 4** Vodo natočite največ do oznake za mejo polnjenja na notranji strani kadi za vodo.
 5. Napolnjeno kad za vodo skupaj s kompletom s plovcem postavite na spodnji del.
 6. Zgornji postavite na spodnji del.
- ↳ Naprava je zdaj napolnjena z vodo in jo lahko vključite.

Vklop/izklop naprave

i Če vključite napravo s prazno kadjo za vodo oziroma če se kad za vodo med delovanjem izprazni, se vlažilna obloga izsuši, vlaženje se konča, poleg tega pa lahko pride do neprijetnega vonja.

- ✓ Naprava je napolnjena z vodo.
1. Omrežni vtič vtaknite v vtičnico.
 2. Dršno stikalo po potrebi postavite na položaj I ali II (glejte poglavje "Načini delovanja").
- ↳ Naprava je vključena.

1. Dršno stikalo postavite na položaj 0.

OPOZORILO

Smrtna nevarnost zaradi električnega udara!

- ▶ Vtiča iz vtičnice nikoli ne vlecite z mokrimi rokami.

2. **E 1** Izvlecite omrežni vtič.
- ↳ Naprava je izključena in ni pod napetostjo.

Čiščenje in vzdrževanje naprave

Po daljšem času obratovanja se zmogljivost vlažilne obloge za vsrkavanje in vlaženje zmanjša. Za nemoteno delovanje sta zato obvezni redno vzdrževanje in čiščenje naprave.

OBVESTILO

Plastika se lahko poškoduje zaradi neprimernih čistil!

- ▶ Ne uporabljajte čistil, ki vsebujejo kislino.

- ▶ Napravo obrišite z vlažno krpo.

Intervali čiščenja in vzdrževanja

Priporočeni intervali čiščenja in vzdrževanja so odvisni od kakovosti vode in zraka ter od dejanskega časa obratovanja.

Interval	Delo
1-krat na dan	Preverite količino vode, po potrebi dolijte vodo (glejte poglavje "Polnjenje naprave")
po 1 tednu brez uporabe	Napravo izpraznite in očistite (glejte poglavje "Razstavljanje in praznjenje naprave")
vsaka 2 tedna	Očistite kad za vodo (glejte poglavje "Čiščenje kadi za vodo")
vsakih 10 do 12 tednov (ali po potrebi)	Zamenjajte vlažilno oblogo (glejte poglavje "Zamenjava vlažilne obloge")
1–2-krat na leto	Očistite ventilator (glejte poglavje "Čiščenje ventilatorja")
1-krat na leto	Zamenjajte vložek Ionic Silver Stick® (glejte poglavje "Zamenjava vložka Ionic Silver Stick®")

Razstavljanje in praznjenje naprave

Napravo lahko za potrebe čiščenja v nekaj potezah razstavite.

OPOZORILO

Smrtna nevarnost zaradi električnega udara!

- ▶ Vtiča iz vtičnice nikoli ne vlecite z mokrimi rokami.

- ✓ **F 1** Naprava je izključena in omrežni vtič je izvlečen

1. **F 3** Zgornji del dvignite s spodnjega dela.

2. **F 4** Kad za vodo skupaj s kompletom s plovcem primite za ročaja kadi in odstranite.
3. **F 5** Preostalo vodo iz kadi za vodo izlijte skozi izliv.
4. **F 6** Iz prazne kadi za vodo odstranite komplet s plovcem.

OPOZORILO

Smrtna nevarnost zaradi električnega udara!

- ▶ Vode ne izpraznite preko elektrike.

5. V primeru, da voda vdre v spodnji del: izpraznite in posušite spodnji del.
- ↳ Naprava je razstavljena in izpraznjena.

Čiščenje kadi za vodo

- ✓ Naprava je razstavljena in izpraznjena

OPOZORILO

Smrtna nevarnost zaradi električnega udara!

- ▶ Pred čiščenjem izvlecite omrežni vtič.
- ▶ Spodnjega dela z električnim sistemom in ventilatorjem ne postavljajte pod vodo.

1. **G 1** Kad za vodo izperite z mlačno vodo.
2. **G 2** Za bolj temeljito čiščenje je treba kad za vodo očistiti z običajno krtačo za pomivanje.
3. Če želite iz kadi za vodo odstraniti vodni kamen, uporabite priporočeno sredstvo za odstranjevanje vodnega kamna (glejte poglavje "Nadomestni deli in oprema").
4. Vse dele po čiščenju posušite.
5. Komplet s plovcem pravilno vstavite v prazno kad za vodo.
6. Sestavite napravo (glejte poglavje "Sestavljanje naprave").

Čiščenje ventilatorja

- ✓ Naprava je razstavljena in izpraznjena.

1. **G 3** Ventilator obrišite z rahlo navlaženo krpo.
2. Vse dele po čiščenju posušite.
3. Sestavite napravo (glejte poglavje "Sestavljanje naprave").

Zamenjava vlažilne obloge

Če opazite močno zamazanost, vodni kamen, neprijeten vonj, zmanjšano sesanje itd., zamenjajte vlažilno oblogo. Vlažilne obloge dobite pri strokovnem prodajalcu, pri katerem ste dobili napravo.

- ✓ Naprava je razstavljena in izpraznjena.

i Uporabljajte samo originalne vlažilne obloge proizvajalca naprave (glejte poglavje "Nadomestni deli in oprema").

OBVESTILO

Vlažilno oblogo lahko poškodujete med pranjem in ožemanjem!

- ▶ Vlažilne obloge ne perite in ožemajte.

1. **H 1** Za odpiranje kompleta s plovcem obrnite konico plovcva v levo (puščica OPEN (Odpri)) in ga dvignite.
2. **H 2** Porabljeno vlažilno oblogo potegnite navzgor iz košare plovcva in jo odstranite.

OBVESTILO

Škoda na napravi zaradi odstranjanja tela plovca!

- Pri odstranjanju embalaže iz naprave ne odstranite plovca.

3. **H 3** Na košaro plovca položite novo vlažilno oblogo.
4. **H 4** Zazapiranje kompletas plovcem postavite konico plovca na košaro plovca, namestite vlažilno oblogo, ju potisnite navzdol in zaprite z vrtenjem v desno (puščica CLOSE (Zapri)).
5. Pri trditvi preverite tako, da konico plovca potegnete navzgor. Pri tem je ne smete dvigniti s košare plovca.
6. Po potrebi še enkrat zavrtite konico plovca in jo preverite.
7. Komplet s plovcem pravilno vstavite v prazno kad za vodo.
8. Sestavite napravo (glejte poglavje "Sestavljanje naprave").

Zamenjava vložka Ionic Silver Stick®

- ✓ Naprava je razstavljena in izpraznjena.

1. Vložek Ionic Silver Stick® odstranite iz dna kadi za vodo in ga odstranite.
2. Novi vložek Ionic Silver Stick® vstavite v držalo na dnu kadi za vodo.
3. Komplet s plovcem pravilno vstavite v prazno kad za vodo.
4. Sestavite napravo (glejte poglavje "Sestavljanje naprave").

Sestavljanje naprave

- ✓ Naprava je razstavljena in izpraznjena.

1. Komplet s plovcem pravilno vstavite v kad za vodo.
 2. **B 5** Kad za vodo skupaj s kompletom s plovcem primite za ročaja kadi in jo vstavite v spodnji del.
 3. Zgornji del postavite na spodnji del.
 4. **B** Preverite, ali je naprava pravilno sestavljena.
 5. Preverite, ali v napravi ni drugih predmetov.
- Naprava je sestavljena.

Prevažanje naprave



POZOR

Nevarnost poškodb zaradi padajočih delov!

- Pri odstranjanju embalaže in dvigovanju napravo vedno primite za spodnji del.

OBVESTILO

Škoda zaradi pljuskanja vode!

- Napravo pred prevažanjem izpraznite.

1. Napravo izpraznite (glejte poglavje "Razstavljanje in praznjenje naprave").
2. Posušite napravo.
3. Napravo dvignite za spodnji del in jo nesite na želeno mesto.

Skladiščenje naprave

1. Napravo očistite (glejte poglavje "Čiščenje in vzdrževanje naprave").
2. Posušite napravo.
3. Napravo po možnosti zapakirajte v originalno embalažo.
4. Napravo shranite na suhem, hladnem mestu.

Odstranjanje naprave

Odsluženo napravo oddajte strokovnemu prodajalcu za pravilno odstranjanje. Pri odstranjanju upoštevajte veljavne državne predpise. Več možnosti odstranjanja boste izvedeli pri svoji občini ali županstvu.

Nadomestni deli in oprema

Nadomestne dele in opremo lahko dobite pri strokovnem prodajalcu ter jih sami zamenjate. Uporabljate lahko samo originalne dele proizvajalca. Popravila smejo opravljati samo strokovnjaki. To še velja tudi za pokvarjene omrežne kable.

Oprema	Oznaka
Vlažilna obloga	A7018
Vložek Ionic Silver Stick®	A7017
Sredstvo za odstranjanje vodnega kamna	A7417

Pogosto zastavljena vprašanja

V. Zakaj je zračna vlaga v moji sobi prenizka?

0. Kako pogosto uporabljate napravo? Če je naprava v uporabi samo ponoči, se podnevi zračna vlaga zmanjša, ker je ne dovajate stalno.
0. Les, usnje, preproge, zavese in drugi materiali vsrkajo veliko vlage, kar zmanjša zračno vlago v prostoru.
Če je okno odprto, lahko vlaga uhaja iz sobe.
Pogosto je vzrok to, da je naprava postavljena blizu grelnika, da bi se zračna vlaga skupaj z vročim zrakom hitro razdelila po sobi. To pa ne deluje. Uhajajoči vroči zrak prevzame večji del vlage, še preden ta doseže zrak prostora.

V. Ali naj vrata med uporabo naprave zaprem ali odprem?

0. Pri odprtih vratih vlaga uhaja iz prostora in se razdeli tudi po drugih prostorih hiše. Če želite povečati samo zračno vlago ene sobe, pazite, da zaprete vrata te sobe, ko naprava deluje.

V. Kako visoka naj bo zračna vlaga v moji sobi?

0. Priporočamo zračno vlago 40–60 %.

V. Kakšne so posledice pri prenizki ali previsoki zračni vlagi?

0. Suh zrak lahko povzroči suho kožo, statične naboje, razglašenost glasbenih instrumentov, povečano prašenje, poškodbe na lesenih predmetih (izsušitev in razpoke), slabo počutje, bolezen in sušenje sluznice nosu. Previsoka zračna vlaga lahko povzroči nastajanje plesni in odstopanje tapet.

V. Zakaj potrebujem vlažilnik, če lahko preprosto odprem okno?

0. Zračna vlaga zunanjega zraka ne zadostuje za vlaženje notranjosti.

V. Kam naj postavim vlažilnik?

0. Napravo postavite prosto in ne na zid, vrata ali toplotni zid, da lahko okoli nje prosto kroži zrak.

V. Ali napravi škoduje delovanje na suho?

0. Če obstaja nevarnost delovanja na suho, na primer če ne boste mogli doliti vode, izključite napravo, preden zapustite prostor. Če naprava nima vode, ne more vlažiti zraka in lahko povzroči neprijeten vonj.

V. Ali lahko napravo uporabljam vse leto?

0. Da, napravo lahko uporabljate vse leto. Naprava povečuje relativno zračno vlago, dokler se zrak prostora ne nasiči. To pomeni, da naprava prostora ne more preveč navlažiti.

V. Ali lahko kad za vodo operem v pomivalnem stroju?

0. Ne, kadi za vodo ne morete oprati v pomivalnem stroju, saj se bo raztopila.

Splošne informacije o vlaženju zraka

Ste vedeli, da preveč suh zrak prostora

- izsušuje sluznice in povzroča razpokane ustnice ter pekoče oči?
- ustvarja ugodne pogoje za okužbe in bolezni dihal?
- povzroča napetost, utrujenost in slabo koncentracijo?
- obremenjuje domače živali in sobne rastline?
- pospešuje tvorjenje prahu in povečuje stopnjo elektrostatične nabitosti tekstila iz umetnih vlaken, preprog ter plastičnih talnih oblog?
- škoduje okrasnim predmetom iz lesa in posebnim parketom?
- poslabša uglašenost glasbenih instrumentov?

Telesno počutje ljudi in živali je odvisno od številnih vplivov. Eden od njih je pravilna zračna vlaga zraka prostora. Med ogrevanjem se segreva hladni zunanji zrak, ki prihaja skozi okna v stanovanjske prostore. To povzroči močno zmanjšanje relativne zračne vlage. To je neugodna klima za rastline in živali, leseni predmeti in pohištvo se izsušijo, ljudje pa se počutijo neprijetno in v večji meri zbolevalo za prehladnimi obolenji. Prijetna klima v prostoru pomeni zračno vlago med 40 in 60 %. Vlaženje zraka je še posebej smiselno pozimi.

Odpravljanje motenj

i Popravila na električnih napravah smejo opravljati samo strokovnjaki. Nestrokovna popravila lahko povzročijo veliko ogrožanje uporabnika in prenehanje veljavnosti garancije.



OPOZORILO

Smrtna nevarnost zaradi električnega udara!

- ▶ Ne opravljajte popravil na električnih delih.

Motnja	Vzrok	Rešitev
Naprava ne deluje.	Omrežni vtič ni pravilno vključen.	▶ Vtaknite električni vtič in vključite napravo.
	Pri sestavljanju niste vstavili kadi za vodo.	▶ Vstavite kad za vodo (glejte poglavje "Sestavljanje naprave").
Hrup zaradi drgnjenja	Kad za vodo ni pravilno vstavljena.	▶ Pravilno vstavite kad za vodo (glejte poglavje "Sestavljanje naprave").
Ni vlaženja zraka	V kadi za vodo ni vode.	▶ Napolnite kad za vodo (glejte poglavje "Polnjenje naprave").
	Vlažilna obloga je onesnažena z vodnim kamnom.	▶ Zamenjajte vlažilno oblogo (glejte poglavje "Zamenjava vlažilne obloge").
Konica plovca z obročem za prikaz napolnjenosti se ne pojavi med polnjenjem.	Pri sestavljanju ste pozabili del naprave.	▶ Izvlecite omrežni vtič. ▶ Preverite, ali je naprava pravilno sestavljena (slika B).
	Naprava je napačno sestavljena.	
Naprava izgublja vodo.	Naprava je prenapolnjena.	▶ Izpraznite vodo (glejte poglavje "Razstavljanje naprave"). ▶ Posušite napravo. Uhajajočo vodo obrišite.
	Pri sestavljanju ste pozabili del naprave. Naprava je napačno sestavljena.	▶ Izvlecite omrežni vtič. ▶ Preverite, ali je naprava pravilno sestavljena (slika B).
Naprava povzroča neprijeten vonj.	Naprava deluje brez vode.	▶ Napolnite napravo (glejte poglavje "Polnjenje naprave").
	Vlažilna obloga je umazana.	▶ Zamenjajte vlažilno oblogo (glejte poglavje "Zamenjava vlažilne obloge").

Návod na používanie

Slovenský

Strana	Kapitola
30	O tomto dokumente
30	Bezpečnostné upozornenia
31	Technické údaje
31	Popis prístroja
31	Princíp funkcie
31	Vybalenie prístroja
31	Uvedenie prístroja do prevádzky
32	Zapnutie/vypnutie prístroja
32	Čistenie a údržba prístroja
33	Preprava prístroja
33	Skladovanie prístroja
33	Likvidácia prístroja
33	Náhradné diely a príslušenstvo
33	Časté otázky
34	Všeobecné informácie o zvlhčovaní vzduchu
34	Odstránenie porúch

O tomto dokumente

Tento návod na používanie je súčasťou výrobu a popisuje jeho bezpečnú obsluhu. Návod na používanie platí výlučne pre tu popísaný výrobok.

- Návod na používanie si pred uvedením do prevádzky kompletne prečítajte.
- Návod na používanie uchovajte počas celej doby životnosti výrobu.
- Návod na používanie postúpte každému ďalšiemu majiteľovi, následnému majiteľovi a používateľovi výrobu a pripojte doplnenia obdržané od výrobcu.
- Za škody, ktoré vzniknú pri nedodržaní tohto návodu na používanie, zamieťa výrobca akúkoľvek záruku.

Používanie v súlade s určením

Prístroj slúži výlučne na zvlhčovanie vzduchu v obytných priestoroch do 120 m³. Vo väčších priestoroch príp. nie je možné dosiahnuť optimálnu vlhkosť vzduchu (50 % relatívna vlhkosť vzduchu). Prístroj sa nesmie používať na iné účely. Do prístroja sa nesmú strkať žiadne cudzie predmety. Prístroj sa smie používať len na účely popísané v tomto návode na používanie.

Záruka

Záručné ustanovenia stanovuje naše zastúpenie v danej krajine. Ak sa na prístroji vyskytnú nedostatky, obráťte sa na Vášho odborného predajcu. Pre uplatnenie záruky je bezpodmienečne nutné predložiť doklad o kúpe.

Zhoda s CE a platné smernice

Prístroj je zhodný s CE a zodpovedá nasledujúcim smerniciam:

- 2006/95/ES pre elektrickú bezpečnosť
- 2004/108/ES pre elektromagnetickú kompatibilitu
- 2002/95/ES na obmedzenie používania určitých nebezpečných látok v elektrických a elektronických prístrojoch
- 2002/96/ES o starých elektrických a elektronických prístrojoch

Upozornenia a značky v tomto dokumente



V tomto dokumente sa používajú varovné upozornenia, aby sa zabránilo zraneniam alebo vecným škodám. Sú zložené nasledovne:

STUPEŇ VAROVANIA

Príčina a dôsledok nebezpečenstva

- Opatrenie pre zabránenie nebezpečenstvu

Existujú nasledovné stupne varovania:

Stupeň varovania	Popis
 VAROVANIE	Potenciálne hroziace nebezpečenstvo. Pri nedodržaní hrozí smrť alebo najťažšie zranenia.
 UPOZORNENIE	Nebezpečná situácia. Pri nedodržaní môžu byť spôsobené zranenia menšieho rozsahu.
OZNÁMENIE	Kritická situácia. Pri nedodržaní môžu byť spôsobené vecné škody.

V tomto dokumente sa používajú symboly, aby bol umožnený rýchlejší prístup k informáciám:

Symbol	Popis
✓	Predpoklad, ktorý musí byť splnený pred začiatkom konania.
►	Konanie s jedným krokom alebo s viacerými krokmi, ktorých poradie nie je relevantné.
1. 2.	Konanie s viacerými krokmi, ktorých poradie je relevantné.
•	Odrážky prvej úrovne
-	Odrážky druhej úrovne
↪	Výsledok jedného alebo viacerých konaní
(pozri...)	Odkaz na kapitolu alebo obrázok
i	Dôležité informácie
A 1	Odkaz na číslo pozície na obrázku, napr. číslo pozície 1 v grafe A

Bezpečnostné upozornenia

- Pred použitím prístroja si tento návod na používanie prečítajte a uschovajte ho na bezpečnom mieste.
- Osoby, ktoré nie sú oboznámené s týmto návodom na používanie, ako aj deti a osoby pod vplyvom liečiv, alkoholu alebo drog, nesmú prístroj obsluhovať.
- Prístroj používajte len v súlade s určením a v rámci špecifikovaných technických údajov. Používanie v rozpore s určením môže ohroziť zdravie a život.
- A 1** Deti nie sú schopné rozoznať nebezpečenstvá pri zaobchádzaní s elektrickými prístrojmi. Preto vždy dozerať na deti, ak sa zdržiavajú v okolí prístroja.

- Prístroj neprevádzkujte v priestoroch, v ktorých sa nachádzajú horľavé materiály, plyny alebo výpary.
- Na prístroji nevykonávajte žiadne úpravy, ani do prístroja nestrkajte žiadne cudzie predmety.

Pri zaobchádzaní s elektrickou energiou hrozí nebezpečenstvo ohrozenia života elektrickým výbojom. Pre zabránenie nebezpečenstvu dodržiavajte nasledujúce upozornenia:

- Prístroj nevystavujte dažďu.
- Prístroj nepoužívajte v priestoroch s relatívnou vlhkosťou vzduchu > 70 %.
- Ak sa prístroj nepoužíva, vytiahnite sieťovú zástrčku.
- A 2** Sieťovú zástrčku nikdy nevyťahujte zo zásuvky za kábel.
- A 3** Sieťovú zástrčku nikdy nevyťahujte zo zásuvky, ani ju do nej nezasúvajte, ak máte mokré ruky.
- A 4** Prístroj pripájajte len na striedavý prúd.
- B 14** Prístroj prevádzkujte len pri napätí podľa typového štítku na prístroji.
- Prístroj **neuvádzajte** do prevádzky:
 - A 5** ak je poškodený kábel alebo zástrčka,
 - po chybnej funkcii,
 - A 6** ak prístroj spadol alebo bol poškodený iným spôsobom.
- A 7** Opravy elektrických prístrojov smie vykonávať len odborný personál. Poškodený sieťový kábel smie opravovať/vymeniť len odborný personál.
- Sieťovú zástrčku vytiahnite zo zásuvky v nasledujúcich prípadoch:
 - pred každým vyprázdnením prístroja,
 - pred každým čistením,
 - pred každou výmenou zvlhčovacia vložka alebo Ionic Silver Stick®,
 - pred každou montážou/demontážou jednotlivých dielov,
 - pred každým zdvihnutím horného dielu,
 - pred každým premiestnením.
- A 8** Dolný diel s elektrickou a ventilátorom nikdy neponárajte do vody ani do iných kvapalín, resp. ho nikdy neoplachujte vodou ani inými kvapalinami.

Pre zabránenie zraneniam dodržiavajte nasledujúce upozornenia:

- A 9** Prístroj umiestnite tak, aby ste nemohli zakopnúť o kábel.
- Prístroj umiestnite tak, aby sa nemohol prevrhnúť.
- A 10** Kábel nezaseknite medzi dvere ani iné predmety.
- Kábel nezakrývajte.

Pre zabránenie vecným škodám dodržiavajte nasledujúce upozornenia:

- A 11** Na prístroj si nesadajte ani naň nekladajte žiadne predmety.
- A 12** Prístroj vždy položte na rovnú, suchú plochu.
- Prívod a odvod vzduchu prístroja udržiavajte bezpodmienečne voľný.
- Na naplnenie prístroja používajte výlučne čisté nádoby.
- Zabezpečte, aby kanvica nebola naplnená hnojivom ani podobnými substanciami.
- Do prístroja ani do vodnej vane nepridávajte žiadne prísady.

- **Nepoužívajte** vodné prísady (napr. éterické oleje, aromatické látky, prostriedky na udržiavanie vody). Materiál nie je vhodný na používanie prísad.
- Prístroj sa smie uvádzať do prevádzky len v úplne zloženom a bezchybnom stave.

Technické údaje

	Hodnota
Sieťové napätie	230 V / 50 Hz
Príkion	20 W
Výkon zvlhčovania	do 220 g/h
Vhodné pre veľkosť priestoru	do 40 m ²
Objem	max. 3,8 l min. 0,2 l
Rozmery DxŠxV	320 x 320 x 400 mm
Prázdna hmotnosť	3,8 kg
Prevádzková hlasitosť	< 25 dB(A)

Popis prístroja

Prístroj pozostáva z nasledujúcich dielov:

- **B 1** Plniaci otvor
- **B 2** Horný diel s plniacim otvorom
- **B 3** Plavákový komponent (B 16–19)
- **B 4** Ionic Silver Stick® (ISS)
- **B 5** Vodná vaňa (B 5–7)
- **B 6** Hranica naplnenia
- **B 7** Rukoväť vane
- **B 8** Odtok
- **B 9** Značka pre zapamätanie pre Ionic Silver Stick® (ISS)
- **B 10** Sieťový kábel/zástrčka
- **B 11** Dolný diel (B 11–14)
- **B 12** Ventilátor
- **B 13** Posuvný spínač (B 20–21)
- **B 14** Výkonový štítok (na dolnej strane prístroja)

Plavákový komponent pozostáva z nasledujúcich dielov:

- **B 15** Špička plaváka
- **B 16** Krúžok hladiny náplne (maximálne 3,8 l)
- **B 17** Zvlhčovacia vložka A7018
- **B 18** Košík plaváka
- **B 19** Teleso plaváka

Posuvný spínač pozostáva z nasledujúcich dielov:

- **B 20** Posuvný spínač
- **B 21** Prevádzkový ukazovateľ

Prevádzkové režimy

Posuvným spínačom sa dajú nastaviť nasledujúce prevádzkové režimy:

Poloha	Funkcia
0	Prístroj je vypnutý
I	Prístroj pracuje v nočnej prevádzke (nižšia hlučnosť) Prevádzkový bliká nazeleno
II	Prístroj pracuje v normálnej prevádzke (maximálny výkon zvlhčovania) Prevádzkový ukazovateľ svieti nazeleno

Prevádzkový ukazovateľ

Prevádzkový ukazovateľ sa rozsvieti nazeleno, akonáhle sa prístroj zapne. Ak sa vodná vaňa zdvihne z dolného dielu, zmení sa zelená LED na červenú a prevádzka prístroja sa preruší, prístroj však nie je bez prúdu. Až pri opätovnom nasadení vodnej vane na dolný diel sa červená LED opäť zmení na zelenú a prístroj pokračuje v prevádzke.

Výkonový štítok

B 14 Na výkonovom štítku sú uvedené nasledujúce informácie:

- Názov výrobu
- Sieťové napätie
- Príkion
- Trieda ochrany
- Výrobné číslo
- Dátum výroby
- Značka zhody

i Údaje na výkonovom štítku na ilustráciách sú len ako príklad. Prosím skontrolujte údaje na výkonovom štítku Vášho prístroja.

Princíp funkcie

Pri plnení prístroja nadvihne vodná hladina plavákový spínač. Keď vodná hladina dosiahne hranicu naplnenia, špička plaváka zatvorí plniaci otvor prístroja. Zvlhčovacia vložka nasaje vodu. Ventilátor tlačí suchý priestorový vzduch cez vlhkú vložku a opäť ho vytlačí ako dostatočne zvlhčený vzduch. Vďaka cieľnému smerovaniu vzduchového prúdu je možné približne konštantné zvlhčovanie pri akejkoľvek hladine vody. Prístroj preto vytvára optimálnu vlhkosť vzduchu bez toho, aby boli nutné dodatočné riadiace prístroje.

Ionic Silver Stick® na udržiavanie vody

B 4 Špeciálne odladený antibakteriálny ochranný systém Ionic Silver Stick® zabraňuje tvorbe zárodkov a baktérií vo vode vo vodnej vane. Na udržiavanie vody preto nie sú potrebné žiadne chemické prídavné látky. Ionic Silver Stick® je samoobnovovací, bezúdržbový a môže sa používať jeden rok.

Značka pre zapamätanie

B 9 Prístroj je štandardne vybavený značkou pre zapamätanie pre výmenu Ionic Silver Stick®. Aby ste neskôr vedeli, kedy ste Ionic Silver Stick® uviedli do

prevádzky, zakrížikujte na značke aktuálny mesiac a na určenú čiaru zapíšte aktuálny rok.

Vybalenie prístroja

i Prístroj je pri dodávke úplne zložený a už vybavený zvlhčovacou vložkou.

i Teleso plaváka je súčasťou plavákového komponentu a nie je súčasťou balenia.



UPOZORNENIE

Nebezpečenstvo zranenia padajúcimi dielmi!

- ▶ Pri vybalovaní a zdvíhaní prístroj vždy uchopte za dolný diel.

OZNÁMENIE

Poškodenie prístroja odstránením telesa plaváka!

- ▶ Pri vybalovaní prístroja neodstraňujte teleso plaváka.

1. Otvorte balenie.
 2. **C 1** Odstráňte horný diel polystyrénového obalu.
 3. **C 2** Siahnite do plniaceho otvoru prístroja a pevne uchopte horný koniec plastového vrečka.
 4. **C 3** Opatrne z balenia vyberte plastové vrečko s prístrojom. Pritom pevne držte plastové vrečko a pri vyberaní z balenia ho nepúšťajte.
 5. **C 5** Plastové vrečko s prístrojom postavte na podlahu a plastové vrečko na prístroji potiahnite nadol.
 6. **C 6** Prístroj uchopte za dolný diel a vytiahnite ho z plastového vrečka smerom nahor.
- ↳ Z prístroja sú odstránené všetky súčasti balenia ako aj plastové vrečko.
7. **B 14** Skontrolujte údaje sieťového pripojenia na výkonovom štítku.
 8. **B** Skontrolujte, či sú na prístroji všetky diely.

Uvedenie prístroja do prevádzky

Umiestnenie prístroja

OZNÁMENIE

Poškodenie plastu z dôvodu vysokých teplôt!

- ▶ Prístroj nevystavujte teplotám > 50 °C.

Pri zostavení prístroja dodržiavajte nasledujúce upozornenia:

- **A 14** Dbajte na dobrý prístup a dostatočné miesto na údržbu a čistenie prístroja.
- Prístroj uvádzajte do prevádzky len naplnený!

1. Prístroj položte na rovnú, suchú plochu v priestore.
2. Naplňte prístroj (pozri kapitolu "Naplnenie prístroja").

Naplnenie prístroja

Na naplnenie prístroja vodou existujú nasledujúce možnosti:

- cez plniaci otvor horného dielu alebo

- priamo vodovodným kohútikom do odstránenej vodnej vane.

- ✓ Na prístroji sa nenachádzajú žiadne cudzie predmety
- ✓ **B** Prístroj je riadne zložený.

i Prístroj by sa mal po dlhšej odstavke vyprázdniť a vyčistiť. Pred opätovným uvedením do prevádzky musí byť prístroj naplnený čerstvou vodou. V opačnom prípade môže dôjsť k obťažujúcemu zápachu.

OZNÁMENIE

Poškodenia a trhliny v plaste z dôvodu prísad vo vode!

- ▶ Do vody nepridávajte žiadne prísady (napr. éterické oleje alebo iné aromatické látky).
- ▶ Zabezpečte, aby sa pred naplňaním v nádobe nenachádzali žiadne vodou riediteľné prísady (napr. hnojivo na rastliny).

OZNÁMENIE

Poškodenie vodou pri preplnení!

- ▶ Pri naplňaní neprekročte maximálne množstvo náplne 3,8 l vyznačené na čiare hladiny náplne.

Naplňanie prístroja cez plniaci otvor:

1. **D 1** Prístroj naplňte čistou nádobou (napr. džbán).
 2. **D 2** Čistou nádobou nalejte studenú vodu do plniaceho otvoru horného dielu.
 3. **D 3** Naplňanie prístroja ukončíte, akonáhle sa červený krúžok hladiny náplne na plaváku objaví v plniacom otvore.
- ↳ Prístroj je naplnený vodou a môže sa zapnúť.

Naplňanie prístroja cez vodnú vaňu:

- ✓ **E 1** Prístroj je vypnutý a sieťová zástrčka vytiahnutá (pozri kapitolu "Zapnutie/vypnutie prístroja").
1. **E 2** Horný diel zdvihnite z dolného dielu.
 2. **E 3** Vodnú vaňu aj s plavákovým komponentom zdvihnite za rukoväť vane.
 3. **E 4** Priamo do vodnej vane naplňte čerstvú, studenú vodu.
 4. **E 4** Vodu nalievajte maximálne dovtedy, kým nie je dosiahnutá maximálna hranica naplnenia na vnútornej strane vodnej vane.
 5. Naplnenú vodnú vaňu aj s plavákovým komponentom nasadte na dolný diel.
 6. Horný diel nasadte na dolný diel.
- ↳ Prístroj je naplnený vodou a môže sa zapnúť.

Zapnutie/vypnutie prístroja

i Ak sa prístroj uvedie do prevádzky s prázdnu vodnou vaňou, resp. ak sa vodná vaňa počas prevádzky vyprázdni, zvlhčovacia vložka sa vysuší, nevytvára sa žiadne zvlhčenie a môže vzniknúť nepríjemný zápach.

- ✓ Prístroj je naplnený vodou.
1. Sieťovú zástrčku zasuniete do zásuvky.
 2. Posuvný spínač podľa potreby prepnete do polohy I alebo do polohy II (pozri kapitolu "Prevádzkové režimy").
- ↳ Prístroj je zapnutý.

1. Posuvný spínač prepnete do polohy 0.

VAROVANIE

Nebezpečenstvo ohrozenia života elektrickým výbojom!

- ▶ Zástrčku nevyfahujte zo zásuvky vlhkými rukami.

2. **E 1** Vytiahnite sieťovú zástrčku.

↳ Prístroj je vypnutý a bez prúdu.

Čistenie a údržba prístroja

S narastajúcou dobou prevádzky klesá sací a zvlhčovací výkon zvlhčovacej vložky. Pravidelná údržba a čistenie prístroja sú preto predpokladom pre bezproblémovú a bezchybnú prevádzku.

OZNÁMENIE

Poškodenie plastu nevhodným čistiacim prostriedkom!

- ▶ Nepoužívajte žiadne čistiace prostriedky s obsahom kyselín.

- ▶ Prístroj utierajte vlhkou utierkou.

Intervaly čistenia a údržby

Odporúčané intervaly čistenia a údržby sú závislé od kvality vzduchu a vody ako aj od skutočnej doby prevádzky.

Interval	Činnosť
1-krát denne	Skontrolujte hladinu vody, príp. doplňte vodu (pozri kapitolu "Naplnenie prístroja")
od 1 týždňa bez prevádzky	Vyprázdnite a vyčistite prístroj (pozri kapitolu "Rozloženie a vyprázdnenie prístroja")
každé 2 týždne	Vyčistite vodnú vaňu (pozri kapitolu "Čistenie vodnej vane")
každých 10–12 týždňov (alebo podľa potreby)	Vymeňte zvlhčovaciu vložku (pozri kapitolu "Výmena zvlhčovacej vložky")
1–2-krát ročne	Vyčistite ventilátor (pozri kapitolu "Čistenie ventilátora")
1-krát ročne	Vymeňte Ionic Silver Stick® (pozri kapitolu "Výmena Ionic Silver Stick®")

Rozloženie a vyprázdnenie prístroja

Prístroj sa dá na čistenie rozložiť niekoľkými hmatmi.

VAROVANIE

Nebezpečenstvo ohrozenia života elektrickým výbojom!

- ▶ Zástrčku nevyfahujte zo zásuvky vlhkými rukami.

- ✓ **F 1** Prístroj je vypnutý a sieťová zástrčka vytiahnutá

1. **F 3** Horný diel zdvihnite z dolného dielu.
2. **F 4** Vodnú vaňu aj s plavákovým komponentom odstráňte pomocou určených rukovätí vane.
3. **F 5** Zvyšnú vodu vypustíte z vodnej vane cez odtok.
4. **F 6** Z prázdnej vodnej vane vyberte plavákový komponent.

VAROVANIE

Nebezpečenstvo ohrozenia života elektrickým výbojom!

- ▶ Vodu nevypúšťajte cez elektriku.

5. Ak je v dolnom dieli voda: vyprázdnite a vysušte dolný diel.

↳ Prístroj je rozložený a vyprázdnený.

Čistenie vodnej vane

- ✓ Prístroj je rozložený a vyprázdnený

VAROVANIE

Nebezpečenstvo ohrozenia života elektrickým výbojom!

- ▶ Pred čistením vytiahnite sieťovú zástrčku.
- ▶ Nikdy neponárajte dolný diel s elektrickou a ventilátorom pod vodu.

1. **G 1** Vodnú vaňu umyte vlažnou vodou.
2. **G 2** Pre dôkladnejšie čistenie vodnú vaňu vyčistite bežnou umývacou kefou.
3. Na odvápnenie vodnej vane používajte odporúčaný odvápnovací prostriedok (pozri kapitolu "Náhradné diely a príslušenstvo").
4. Po čistení diely vysušte.
5. Plavákový komponent presne vložte do prázdnej vodnej vane.
6. Zložte prístroj (pozri kapitolu "Zloženie prístroja").

Čistenie ventilátora

- ✓ Prístroj je rozložený a vyprázdnený.

1. **G 3** Ventilátor utrite ľahko zvlhčenou utierkou alebo handrou.
2. Po čistení diely vysušte.
3. Zložte prístroj (pozri kapitolu "Zloženie prístroja").

Výmena zvlhčovacej vložky

Pri silnom znečistení, zväpnenatí, tvorbe zápachu, redukovanom sacom výkone atď. by ste mali vymeniť zvlhčovaciu vložku. Zvlhčovacie vložky získate u Vášho odborného predajcu, u ktorého ste zakúpili prístroj.

- ✓ Prístroj je rozložený a vyprázdnený.

i Používajte len originálne zvlhčovacie vložky od výrobcu (pozri kapitolu "Náhradné diely a príslušenstvo").

POZOR

Poškodenie vlhkej zvlhčovacej vložky vypraním alebo žmýkaním!

- ▶ Zvlhčovaciu vložku neperte ani nežmýkajte.

- H 1** Na otvorenie plavákového komponentu otočte špičku plaváka proti smeru hodinových ručičiek (šípka OPEN) a zdvihnite ju nahor.
- H 2** Spotrebovanú zvlhčovaciu vložku vytiahnite z košíku plaváka smerom nahor a zlikvidujte.

POZOR

Poškodenie prístroja odstránením telesa plaváka!

- Pri vybaľovaní prístroja neodstraňujte teleso plaváka.

- H 3** Na košík plaváka nasadte novú zvlhčovaciu vložku.
- H 4** Na zatvorenie plavákového komponentu nasadte špičku plaváka na košík plaváka a zvlhčovaciu vložku, zatlačte nadol a otočte v smere hodinových ručičiek (šípka CLOSE).
- Pre kontrolu potiahnite špičku plaváka zľahka nahor. Prítom sa nesmie dať zdvihnúť z košíku plaváka.
- Príp. ešte raz otočte a skontrolujte špičku plaváka.
- Plavákový komponent presne vložte do prázdnej vodnej vane.
- Zložte prístroj (pozri kapitolu "Zloženie prístroja").

Výmena Ionic Silver Stick®

- ✓ Prístroj je rozložený a vyprázdnený.

- Ionic Silver Stick® vyberte z dna vodnej vane a zlikvidujte.
- Nový Ionic Silver Stick® vložte do držiaka na dne vodnej vane.
- Plavákový komponent presne vložte do prázdnej vodnej vane.
- Zložte prístroj (pozri kapitolu "Zloženie prístroja").

Zloženie prístroja

- ✓ Prístroj je rozložený a vyprázdnený.

- Plavákový komponent presne vložte do vodnej vane.
 - B 5** Vodnú vaňu ajsplavákovým komponentom vložte pomocou rukoväti vane do dolného dielu.
 - Horný diel nasadte na dolný diel.
 - B** Zabezpečte, aby bol prístroj správne zložený.
 - Zabezpečte, aby sa v prístroji nenachádzali žiadne cudzie predmety.
- ↪ Prístroj je zložený.

Preprava prístroja

UPOZORNENIE

Nebezpečenstvo zranenia padajúcimi dielmi!

- Pri vybaľovaní a zdvíhaní prístroj vždy uchopíte za dolný diel.

OZNÁMENIE

Poškodenie vodou pri pretečení!

- Prístroj pred prepravou vyprázdnite.

- Vyprázdnite prístroj (pozri kapitolu "Rozloženie a vyprázdnenie prístroja").
- Vysušte prístroj.
- Prístroj zdvihnite za dolný diel a preneste na želané miesto.

Skladovanie prístroja

- Vyčistite prístroj (pozri kapitolu "Čistenie a údržba prístroja").
- Vysušte prístroj.
- Prístroj prednostne zabaľte do originálneho balenia.
- Prístroj uschovávajte na suchom, chladom mieste.

Likvidácia prístroja

Doslúžený prístroj odovzdajte na odbornú likvidáciu odbornému predajcovi. Pri likvidácii dodržiavajte platné národné predpisy. O ďalších možnostiach likvidácie sa dozviete na Vašom obecnom alebo mestskom úrade.

Náhradné diely a príslušenstvo

Náhradné diely a príslušenstvo môžete zakúpiť u Vášho odborného predajcu a sami v prístroji vymeniť. Smú sa používať len originálne diely od výrobcu. Opravy smie vykonávať len odborný personál. To platí aj pre poškodený sieťový kábel.

Príslušenstvo	Označenie
Zvlhčovacia vložka	A7018
Ionic Silver Stick®	A7017
Odvápňovací prostriedok	A7417

Časté otázky

Ot. Prečo je vlhkosť vzduchu v mojej izbe príliš nízka?

Odp. Ako často používate prístroj? Ak je prístroj v prevádzke len v noci, vlhkosť vzduchu cez deň poklesne, pretože sa do vzduchu vlhkosť nedostáva konštantne.

Odp. Drevo, koža, koberce, závesy a iné materiály prijímajú veľa vlhkosti, čím klesá vlhkosť vzduchu v priestore.

Keď je okno otvorené, môže vlhkosť z izby uniknúť.

Častou príčinou je, že je prístroj umiestnený vedľa vykurovacieho zariadenia, aby sa vlhkosť rýchlo rozdelila v priestore spolu s horúcim vzduchom. To však nefunguje. Vystupujúci horúci vzduch prijme väčšiu časť vlhkosti skôr, ako vlhkosť dosiahne vzduch v priestore.

Ot. Kým je prístroj v prevádzke, mám dvere nechať otvorené alebo zatvorené?

Odp. Pri otvorených dverách opúšťa vlhkosť priestor a rozdelí sa aj do iných častí domu. Ak chcete zvýšiť vlhkosť vzduchu v určitom priestore, mali by ste dbať na to, aby dvere tohto priestoru zostali počas prevádzky prístroja zatvorené.

Ot. Aká vysoká by mala byť vlhkosť vzduchu v mojej izbe?

Odp. Odporúča sa vlhkosť vzduchu okolo 40–60 %.

Ot. Čo je dôsledkom pri príliš nízkej alebo príliš vysokej vlhkosti vzduchu?

Odp. Suchý vzduch môže viesť k suchej pokožke, elektrostatickým nábojom, k rozladeným hudobným nástrojom, k zvýšenej tvorbe prachu, k poškodeniu predmetov z dreva (vysušenie a trhliny), k nevoľnosti, k chorobe a môže vysušiť nosovú sliznicu. Príliš vysoká vlhkosť vzduchu môže viesť k tvorbe plesne a k odlepovaniu tapiet.

Ot. Prečo potrebujem zvlhčovač, keď môžem jednoducho otvoriť okno?

Odp. Vlhkosť vonkajšieho vzduchu nie je dostatočne vysoká, aby zvlhčila priestor.

Ot. Kde by som mal umiestniť zvlhčovač?

Odp. Prístroj by mal stáť voľne a nie pri stene, okne, dverách alebo tepelnom moste, aby vzduch okolo prístroja mohol voľne cirkulovať.

Ot. Je to zlé, keď môj prístroj beží nasucho?

Odp. Ak nastane možnosť chodu nasucho, napr. ak nemôžete doplniť vodu, prístroj pred opustením priestoru vypnite. Bez vody nemôže prístroj zvlhčovať vzduch a to môže viesť k obťažujúcemu zápachu.

Ot. Môže sa prístroj používať celý rok?

Odp. Áno, prístroj môžete používať celý rok. Prístroj vytvára relatívnu vlhkosť vzduchu, kým nie je priestorový vzduch nasýtený. Takto prístroj nemôže vzduch "prevlhčiť".

Ot. Môžem vodnú vaňu čistiť v umývačke riadu?

Odp. Nie, vodnú vaňu nemôžete čistiť v umývačke riadu, lebo sa roztopí.

Všeobecné informácie o zvlhčovaní vzduchu

Vedeli ste, že príliš suchý priestorový vzduch

- vysušuje sliznice ako aj spôsobuje popraskané pery a pálenie očí?
- podporuje infekcie a ochorenia dýchacích ciest?
- vedie k ústati, únave a strate koncentrácie?
- zaťažuje domáce zvieratá a izbové rastliny?
- podporuje tvorbu prachu a zvyšuje elektrostatický náboj textílií z plastových vlákien, kobercov a plastových podlahovín?
- poškodzuje zariadenie z dreva a obzvlášť parketové podlahy?
- rozladzuje hudobné nástroje?

Telesná pohoda ľudí a zvierat závisí od mnohých vplyvov. Jedným z nich je správne zvlhčený priestorový vzduch. Počas vykurovacieho obdobia sa zahrieva studený vonkajší vzduch, ktorý do obytných priestorov prúdi cez okná. Toto má za následok masívny pokles relatívnej vlhkosti vzduchu. Pre rastliny a zvieratá nevhodná klíma, drevené predmety a nábytok sa vysušujú a ľudia sa necítia dobre a sú vo zvýšenej miere náchylní na prechladnutie. Prijemná je klíma spravidla vtedy, keď je relatívna vlhkosť medzi 40 a 60 %. Zvlhčovanie vzduchu je zmysluplné obzvlášť počas zimného obdobia.

Odstránenie porúch

i Opravy elektrických prístrojov smie vykonávať len odborný personál. Neodborné opravy môžu spôsobiť významné nebezpečenstvo pre používateľa a záručné nároky zaniknú.

VAROVANIE

Nebezpečenstvo ohrozenia života elektrickým výbojom!

- ▶ Na elektrických dieloch nevykonávajte žiadne opravy.

Porucha	Príčina	Riešenie
Prístroj nefunguje.	Sieťová zástrčka nie je zasunutá.	▶ Zasuňte sieťovú zástrčku a zapnite prístroj.
	Pri skladaní nebola vložená vodná vaňa.	▶ Vložte vodnú vaňu (pozri kapitolu "Zloženie prístroja").
Škrípavý hluk	Vodná vaňa nie je správne vložená.	▶ Správne vložte vodnú vaňu (pozri kapitolu "Zloženie prístroja").
Žiadne zvlhčovanie vzduchu	Vo vodnej vani nie je voda.	▶ Naplňte vodnú vaňu (pozri kapitolu "Naplnenie prístroja").
	Zvlhčovacia vložka je zväpatená.	▶ Vymeňte zvlhčovaciu vložku (pozri kapitolu "Výmena zvlhčovacej vložky").
Špička plaváka s krúžkom hladiny náplne nie je pri naplnení viditeľná.	Pri skladaní bol zabudnutý niektorý diel.	▶ Vytiahnite sieťovú zástrčku. ▶ Skontrolujte, či je prístroj správne zložený (obrázok B).
	Prístroj je chybné zložený.	
Prístroj stráca vodu.	Prístroj bol preplnený.	▶ Vyprázdňte prístroj (pozri kapitolu "Rozloženie prístroja"). ▶ Vysušte prístroj. Pritom utrite unikajúcu vodu.
	Pri skladaní bol zabudnutý niektorý diel. Prístroj je chybné zložený.	▶ Vytiahnite sieťovú zástrčku. ▶ Skontrolujte, či je prístroj správne zložený (obrázok B).
Prístroj spôsobuje nepríjemný zápach.	Prístroj nie je v prevádzke naplnený.	▶ Naplňte prístroj (pozri kapitolu "Naplnenie prístroja").
	Zvlhčovacia vložka je znečistená.	▶ Vymeňte zvlhčovaciu vložku (pozri kapitolu "Výmena zvlhčovacej vložky").

Upute za uporabu

Hrvatski

Stranica Poglavlje

35	O ovom dokumentu
35	Sigurnosne napomene
36	Tehnički podaci
36	Opis uređaja
36	Načelo funkcioniranja
36	Raspakiranje uređaja
36	Puštanje uređaja u rad
37	Uključivanje/isključivanje uređaja
37	Čišćenje i održavanje uređaja
38	Transportiranje uređaja
38	Skladištenje uređaja
38	Zbrinjavanje uređaja
38	Pričuvni dijelovi i pribor
38	Česta pitanja
39	Opće informacije o ovlaživanju zraka
39	Otklanjanje smetnji

O ovom dokumentu

Ove Upute za uporabu dio su proizvoda i opisuju njegovo sigurno posluživanje. Ove Upute za uporabu vrijede isključivo za ovdje opisani proizvod.

- U cijelosti pročitajte ove Upute za uporabu prije puštanja uređaja u rad.
- Čuvajte ove Upute za uporabu tijekom čitavog životnog vijeka proizvoda.
- Prosljedite ove Upute za uporabu sljedećem vlasniku, naknadnom vlasniku i korisniku ovog proizvoda te priložite dopune koje ste primili od proizvođača.
- Za oštećenja, koja nastanu uslijed nepridržavanja ovih Uputa za uporabu, proizvođač ne preuzima nikakvu odgovornost.

Propisna primjena

Ovaj uređaj služi isključivo u svrhu ovlaživanja zraka u stambenim prostorijama do 120 m³. U većim prostorijama eventualno se ne može postići optimalna vlažnost zraka (50 % relativne vlažnosti zraka). Ovaj uređaj ne smije se upotrebljavati u druge svrhe. U uređaj se ne smiju gurati nikakva strana tijela. Ovaj se uređaj smije upotrebljavati samo u svrhe opisane u ovim Uputama za uporabu.

Jamstvo

Jamstvene odredbe određuje naše predstavništvo u dotičnoj zemlji. Ako na uređaju primijetite manjkavosti, obratite se svom stručnom trgovcu. Za ispunjavanje jamstva obvezno je potrebno predočiti dokaz o kupnji.

CE sukladnost i važeće smjernice

Ovaj se uređaj CE sukladan i odgovara sljedećim smjernicama:

- 2006/95/EZ-a za električnu sigurnost
- 2004/108/EZ-a za elektromagnetsku snošljivost
- 2002/95/EZ-a za ograničenje primjene opasnih tvari u električnim i elektroničkim uređajima
- 2002/96/EZ-a o starim električnim i elektroničkim uređajima

Napomene i crteži u ovom dokumentu

U ovom se dokumentu upotrebljavaju napomene upozorenja u cilju sprječavanja ozljeda ili materijalnih šteta. One su ustrojene na sljedeći način:



STUPANJ UPOZORENJA

Uzrok i posljedica opasnosti

- Mjera za izbjegavanje opasnosti

Postoje sljedeći stupnjevi upozorenja:

Stupanj upozorenja	Opis
UPOZORENJE	Postoji mogućnost prijeteće opasnosti. U slučaju nepridržavanja prijeteći smrtni ili teški ozljede.
OPREZ	Opasna situacija. U slučaju nepridržavanja mogu uslijediti neznatne ozljede.
OPREZ	Kritična situacija. U slučaju nepridržavanja mogu uslijediti materijalne štete.

U ovom dokumentu upotrebljavaju se sljedeći simboli u cilju omogućavanja brzog pristupa informacijama:

Simbol	Opis
✓	Pretpostavka koja se mora ispuniti prije početka neke djelatnosti.
►	Djelatnost koja se sastoji od jednog ili većeg broja koraka čiji redoslijed nije relevantan.
1. 2.	Djelatnost koja se sastoji od većeg broja koraka čiji je redoslijed relevantan.
•	Nabrojavanja prve razine
-	Nabrojavanja druge razine
↪	Rezultat jedne ili većeg broja djelatnosti
(vidi...)	Ukazivanje na neko poglavlje ili na neku sliku
i	Važne informacije
A 1	Ukazivanje na broj pozicije na slici, npr. broj pozicije 1 na grafičkom prikazu A

Sigurnosne napomene

- Prije uporabe ovog uređaja pročitajte ove Upute za uporabu i pohranite ih na sigurnom mjestu.
- Osobe koje nisu upoznate s ovim Uputama za uporabu, kao ni djeca i osobe pod utjecajem lijekova, alkohola ili droga, ne smiju posluživati ovaj uređaj.
- Ovaj uređaj upotrebljavajte samo u skladu s propisnom primjenom i unutar specificiranih tehničkih podataka. Nepropisna uporaba može ugroziti zdravlje i život.

- **A 1** Djeca ne mogu prepoznati opasnosti u rukovanju električnim uređajima. Zbog toga držite djecu uvijek pod nadzorom kada se zadržavaju u blizini ovog uređaja.
- Ne puštajte ovaj uređaj u rad u prostorijama u kojima se nalaze dobra, plinovi ili pare koji bi mogli izazvati požar.
- Ne preinačujte ovaj uređaj i ne gurajte nikakva strana tijela u njega.

Pri dodiru s električnom energijom postoji životna opasnost od strujnog udara. Pridržavajte se sljedećih napomena za izbjegavanje:

- Ne postavljajte ovaj uređaj na kiši.
- Ne upotrebljavajte ovaj uređaj u prostorijama u kojima je relativna vlažnost zraka > 70 %.
- U slučaju neuporabe izvucite mrežni utikač.
- **A 2** Nikada ne povlačite mrežni utikač na kabelu iz utičnice.
- **A 3** Nikada ne povlačite mrežni utikač mokrim rukama iz utičnice niti ga ne gurajte u utičnicu mokrim rukama.
- **A 4** Ovaj uređaj priključite samo na izmjeničnu struju.
- **B 14** Uređaj puštajte u rad samo s naponom u skladu s tipskom pločicom na uređaju.
- Ovaj uređaj **ne** puštajte u rad:
 - **A 5** ako su kabel ili utikač oštećeni.
 - u slučaju neispravnog funkcioniranja.
 - **A 6** ako uređaj padne na pod ili bude oštećen na neki drugi način.
- **A 7** Popravke električnih uređaja smije izvoditi samo stručno osoblje. Neispravni mrežni kabel smije popraviti/zamijeniti samo stručno osoblje.
- U sljedećim slučajevima izvucite mrežni utikač iz utičnice:
 - prije svakog pražnjenja uređaja,
 - prije svakog čišćenja,
 - prije svake zamjene uložka ovlaživača ili Ionic Silver Stick[®],
 - prije svake montaže/demontaže pojedinačnih dijelova,
 - prije svakog dizanja gornjeg dijela,
 - prije svakog premještanja.
- **A 8** Donji dio s elektrikom i ventilatorom nikada ne uranjajte u vodu ili druge tekućine odnosno nikada ih ne ispirite vodom ili drugim tekućinama.

Pridržavajte se sljedećih napomena za izbjegavanje ozljeda:

- **A 9** Smjestite ovaj uređaj tako da se ne spotaknete preko kabela.
- Smjestite ovaj uređaj tako da se ne može prevrnuti.
- **A 10** Kabel nemojte uklještit vratima niti drugim predmetima.
- Ne prekrivajte kabel.

Pridržavajte se sljedećih napomena za izbjegavanje materijalnih šteta:

- **A 11** Ne sjedajte na ovaj uređaj i ne postavljajte na njega nikakve druge predmete.
- **A 12** Ovaj uređaj postavite samo na ravnu, suhu površinu.
- Obvezno držite slobodnim ulaz i izlaz zraka u i iz uređaja.
- Za punjenje ovog uređaja koristite isključivo čiste posude.
- Provjerite nije li poljevača napunjena gnojivom ili drugim sličnim tvarima.
- U uređaj ili u posudu za vodu ne lijevajte nikakve dodatke.

- Dodatke vodi (npr. eterična ulja, mirisne tvari, sredstva za čišćenje vode) **ne** koristite. Ovaj materijal nije prikladan za uporabu dodataka.
- Ovaj uređaj puštajte u rad samo u kompletno montiranom i besprijekornom stanju.

Tehnički podaci	
	Vrijednost
Mrežni napon	230 V / 50 Hz
Primljena snaga	20 W
Snaga ovlaživanja	do 220 g/h
Prikladno za prostorije veličine	do 40 m ²
Zapremina	maks. 3,8 l min. 0,2 l
Dimenzije DxŠxV	320 x 320 x 400 mm
Težina u praznom stanju	3,8 kg
Glasnoća rada	< 25 dB(A)

Opis uređaja

Ovaj se uređaj sastoji od sljedećih dijelova:

- **B 1** Otvora za punjenje
- **B 2** Gornjeg dijela s otvorom za punjenje
- **B 3** Paketa s plovkom (B 16–19)
- **B 4** Ionic Silver Stick® (ISS)
- **B 5** Posude s vodom (B 5–7)
- **B 6** Granice napunjenosti
- **B 7** Ručaka posude
- **B 8** Ispusta
- **B 9** Oznake za podsjećanje za Ionic Silver Stick® (ISS)
- **B 10** Mrežnog kabela/utikača
- **B 11** Donjeg dijela (B 11–14)
- **B 12** Ventilatora
- **B 13** Pomične sklopke (B 20–21)
- **B 14** Natpis snage (na donjoj strani uređaja)

Paket s plovkom sastoji se od sljedećih dijelova:

- **B 15** Vrha plovka
- **B 16** Prstena razine napunjenosti (maksimalno 3,8 l)
- **B 17** Uloška ovlaživača A7018
- **B 18** Košare plovka
- **B 19** Tijela plovka

Pomična sklopka sastoji se od sljedećih dijelova:

- **B 20** Pomične sklopke
- **B 21** Prikaz rada

Vrste rada

Na pomičnoj sklopki mogu se namjestiti sljedeće vrste rada:

Položaj	Funkcija
0	Uređaj je isključen
I	Uređaj radi u noćnom načinu rada (bešumno) Prikaz rada prebacuje se na zeleno
II	Uređaj radi u normalnom načinu rada (maksimalna snaga ovlaživanja) Prikaz rada svijetli zelenom bojom

Prikaz rada

Prikaz rada svijetli zelenom bojom čim se uređaj uključi. Ako se skine posuda s vodom iz donjeg dijela, zelena LED dioda prebacuje se na crvenu boju, a rad uređaja se prekida, ali uređaj ipak ne ostaje bez struje. Tek nakon ponovnog postavljanja posude s vodom na donji dio crvena LED dioda ponovno se prebacuje na zeleno boju i uređaj nastavlja s radom.

Natpis snage

B 14 Na natpisu snage prikazuju se sljedeće informacije:

- Naziv proizvoda
- Mrežni napon
- Primljena snaga
- Zaštitna klasa
- Proizvodni broj
- Datum proizvodnje
- Znak sukladnosti

i Podaci na natpisu snage na ilustracijama služe samo kao primjer. Molimo provjerite podatke na natpisu snage Vašeg uređaja.

Načelo funkcioniranja

Prilikom punjenja uređaja podiže se sklopka s plovkom s razinom vode. Kada razina vode dostigne granicu napunjenosti, vrh plovka zatvara otvor za punjenje uređaja. Uložak ovlaživača natapa se vodom. Ventilator istiskuje suhi zrak iz prostorije kroz vlažni uložak i ponovno ga ispušta kao dovoljno ovlaženi zrak. Ciljanim vođenjem struje zraka moguće je konstantno ovlaživanje na bilo kojoj razini vode. Zbog toga ovaj uređaj stvara optimalnu vlažnost zraka, a da pritom nisu potrebni dodatni upravljački uređaji.

Ionic Silver Stick® za očuvanje čistoće vode

B 4 Posebno konstruirani antibakterijski zaštitni sustav Ionic Silver Stick® sprječava stvaranje klica i bakterija u vodi u posudi za vodu. Zbog toga za očuvanje čistoće vode nisu potrebne nikakve dodatne kemijske tvari. Ionic Silver Stick® ima sposobnost samoobnavljanja, ne treba ga održavati i može se koristiti godinu dana.

Oznaka za podsjećanje

B 9 Ovaj je uređaj standardno opremljen oznakom za podsjećanje za zamjenu Ionic Silver Stick-a®. Kako biste i kasnije još uvijek znali kada ste točno u rad pustili Ionic Silver Stick®, molimo da na toj oznaci prekrizite aktualni mjesec te da upišete aktualnu godinu na za to predviđenu crtu.

Raspakiranje uređaja

i Ovaj je uređaj kompletno sastavljen prilikom isporuke i već je opremljen uloškom ovlaživača.

i Tijelo plovka dio je paketa s plovkom i ne spada u ambalažu.

OPREZ

Opasnost od ozljeda uslijed dijelova u padu!

- ▶ U svrhu raspakiranja i podizanja uređaj uvijek primajte samo za donji dio.

OPREZ

Moguća oštećenja uređaja zbog skidanja tijela plovka!

- ▶ Ne skidajte tijelo plovka prilikom raspakiranja uređaja.

1. Otvorite ambalažu.
2. **C 1** Skinite gornji dio ambalaže od stiropora.
3. **C 2** Posegnite u otvor za punjenje uređaja i čvrsto uhvatite gornji kraj plastične vrećice.
4. **C 3** Oprezno povucite plastičnu vrećicu zajedno s uređajem iz ambalaže. Pritom čvrsto uhvatite plastičnu vrećicu i ne puštajte je prilikom njezinog vađenja iz ambalaže.
5. **C 5** Odložite plastičnu vrećicu zajedno s uređajem na tlo pa gurnite plastičnu vrećicu na uređaju prema dolje.
6. **C 6** Uхватite uređaj za donji dio pa ga izvadite prema gore iz plastične vrećice.
- ↳ S uređaja su sada skinuti svi sastavni dijelovi ambalaže kao i plastična vrećica.
7. **B 14** Provjerite podatke omrežnom priključkuna natpisu snage.
8. **B** Provjerite jesu li tu svi dijelovi uređaja.

Puštanje uređaja u rad

Smještanje uređaja

OPREZ

Moguća oštećenja plastike uslijed visokih temperatura!

- ▶ Ne izlažite ovaj uređaj temperaturama > 50 °C.

Pridržavajte se sljedećih napomena pri postavljanju uređaja:

- **A 14** Pazite na dobru pristupačnost i dovoljno mjesta za održavanje i čišćenje.
- Ovaj uređaj puštajte u rad samo kad je napunjen!

1. Ovaj uređaj postavite na pod ili na na ravnu, suhu površinu u prostoriji.
2. Napunite uređaj (vidi poglavlje "Punjenje uređaja").

Punjenje uređaja

Postoje sljedeće mogućnosti punjenja uređaja vodom:

- preko otvora za punjenje gornjeg dijela ili
- izravno iz slavine u izvađenu posudu za vodu.

- ✓ U uređaju se ne nalaze nikakva strana tijela
- ✓ **B** Uređaj je propisno sastavljen.

i Nakon dužeg mirovanja uređaj bi trebalo isprazniti i očistiti. Prije ponovnog puštanja u rad uređaj se mora napuniti svježom vodom. U protivnom može doći do stvaranja neugodnih mirisa.

OPREZ

Moguća oštećenja i pucanje plastike uslijed dodataka u vodi!

- ▶ U vodu ne dodajte nikakve dodatke (npr. eterična ulja ili druge mirisne tvari).
- ▶ Provjerite prije punjenja nekom posudom da se u toj posudi ne nalaze nikakvi dodaci topivi u vodi (npr. gnojivo za biljke).

OPREZ

Moguća oštećenja zbog prepunjenosti vodom!

- ▶ Prilikom punjenja ne prekoračujte maksimalnu količinu punjenja od 3,8 l koju pokazuje crta razine popunjenosti.

Punjenje uređaja preko otvora za punjenje:

1. **D 1** Napunite uređaj čistom posudom (npr. vrčom).
2. **D 2** Čistom posudom ulijte svježu, hladnu vodu u otvor za punjenje gornjeg dijela.
3. **D 3** Zaustavite punjenje uređaja čim se u otvoru za punjenje pojavi prsten razine popunjenosti plovka.

→ Uređaj je napunjen vodom i može se uključiti.

Punjenje uređaja preko posude za vodu:

- ✓ **E 1** Uređaj je isključen, a mrežni utikač izvučen (vidi poglavlje "Uključivanje/isključivanje uređaja").

1. **E 2** Podignite gornji dio s donjeg dijela.
 2. **E 3** Primate ručke posude za vodu i podignite je zajedno s paketom s plovkom.
 3. **E 4** Svježu, hladnu vodu ulijte izravno u posudu za vodu.
 4. **E 4** Vodu ulijevajte najdulje toliko dugo dok se ne dostigne maksimalna granica napunjenosti s unutarnje strane posude za vodu.
 5. Napunjenu posudu za vodu zajedno s paketom s plovkom postavite na donji dio.
 6. Gornji dio postavite na donji dio.
- Uređaj je napunjen vodom i može se uključiti.

Uključivanje/isključivanje uređaja

i Ako se uređaj u rad pušta s praznom posudom za vodu odnosno ako se posuda za vodu isprazni tijekom rada, uložak ovlaživača se suši, ne stvara se daljnje ovlaživanje, a može doći i do stvaranja neugodnog mirisa.

✓ Uređaj je napunjen vodom.

1. Utaknite mrežni utikač u utičnicu.
 2. Pomičnu sklopku dovedite ili u položaj I ili u položaj II ovisno o potrebama (vidi poglavlje "Vrste rada").
- Uređaj je uključen.

1. Pomičnu sklopku postavite na položaj 0.

UPOZORENJE

Životna opasnost od strujnog udara!

- ▶ Ne izvlačite utikač mokrim rukama iz utičnice.
2. **E 1** Izvucite mrežni utikač.
- Uređaj je isključen i bez struje.

Čišćenje i održavanje uređaja

Što se više povećava trajanje rada, to se više smanjuje snaga usisavanja i ovlaživanja uloška ovlaživača. Zbog toga je redovno održavanje i čišćenje uređaja preduvjet neometanog rada bez smetnji.

OPREZ

Moguća oštećenja plastike zbog neprikladnih sredstava za čišćenje!

- ▶ Ne upotrebljavajte nikakva sredstva za čišćenje koja sadrže kiseline.
- ▶ Uređaj obrišite vlažnom krpom.

Intervali čišćenja i održavanja

Preporučeni intervali čišćenja i održavanja ovise o kakvoći zraka i vode, kao i o stvarnom trajanju rada.

Interval	Djelatnost
Jedanput dnevno	Prekontrolirajte razinu vode, po potrebi nadolijte vodu (vidi poglavlje "Punjenje uređaja")
od 1 tjedna bez rada	Ispraznite i očistite uređaj (vidi poglavlje "Rastavljanje i pražnjenje uređaja")
svakih 2 tjedna	Očistite posudu za vodu (vidi poglavlje "Čišćenje posude za vodu")
svakih 10–12 tjedana (ili po potrebi)	Zamijena uloška ovlaživača (vidi poglavlje "Zamjena uloška ovlaživača")
Jedanput–dvaput godišnje	Očistite ventilator (vidi poglavlje "Čišćenje ventilatora")
Jedanput godišnje	Ionic Silver Stick® (vidi poglavlje "Zamjena Ionic Silver Stick-a®")

Rastavljanje i pražnjenje uređaja

Ovaj se uređaj može rastaviti vrlo jednostavno u svrhe čišćenja.

UPOZORENJE

Životna opasnost od strujnog udara!

- ▶ Ne izvlačite utikač mokrim rukama iz utičnice.

- ✓ **F 1** Uređaj je isključen, a mrežni utikač je izvučen

1. **F 3** Podignite gornji dio s donjeg dijela.
2. **F 4** Primate ručke posude za vodu i izvadite je zajedno s paketom s plovkom.
3. **F 5** Preostalu vodu iz posude za vodu ispraznite preko ispusta.
4. **F 6** Izvadite paket s plovkom iz prazne posude za vodu.

UPOZORENJE

Životna opasnost od strujnog udara!

- ▶ Vodu ne izlijevajte preko elektrike.

5. Ako se u donjem dijelu nalazi voda: Ispraznite i posušite donji dio.
- Uređaj je rastavljen i ispražnjen.

Čišćenje posude za vodu

- ✓ Uređaj je rastavljen i ispražnjen

UPOZORENJE

Životna opasnost od strujnog udara!

- ▶ Prije čišćenja izvucite mrežni utikač.
- ▶ Nikada ne stavljajte donji dio s elektrikom i ventilatorom pod vodu.

1. **G 1** Isperite posudu za vodu mlakom vodom.
2. **G 2** Za temeljitije čišćenje posude za vodu očistite je četkicom za čišćenje kakva se obično prodaje u trgovinama.
3. Za odstranjivanje kamenca iz posude za vodu upotrijebite preporučeno sredstvo za uklanjanje kamenca (vidi poglavlje "Pričuvni dijelovi i pribor").
4. Osušite dijelove nakon čišćenja.
5. Umetnite paket s plovkom u praznu posudu za vodu.
6. Sastavite uređaj (vidi poglavlje "Sastavljanje uređaja").

Čišćenje ventilatora

- ✓ Uređaj je rastavljen i ispražnjen.

1. **G 3** Prebrišite ventilator blago navlaženom krpom ili krpom za čišćenje.
2. Osušite dijelove nakon čišćenja.
3. Sastavite uređaj (vidi poglavlje "Sastavljanje uređaja").

Zamjena uloška ovlaživača

Uslučaju jačih zaprljanja, naslaga kamenca, stvaranja neugodnih mirisa, smanjene snage usisavanja i sl. valja zamijeniti uložak ovlaživača. Uloške ovlaživača možete nabaviti kod specijaliziranog trgovca kod kojega ste kupili uređaj.

✓ Uređaj je rastavljen i ispražnjen.

i Upotrebjavajte samo originalne uloške ovlaživača (vidi poglavlje "Pričuvni dijelovi i pribor").

OPREZ

Moguća oštećenja vlažnog uložka ovlaživača ispiranjem ili cijeđenjem!

► Ne ispirite i ne cijedite uloške ovlaživača.

1. **H 1** Za otvaranje paketa s plovkom okrenite vrh plovka suprotno od smjera kretanja kazaljke na satu (strelica OPEN) i podignite ga.
2. **H 2** Izvadite iskorišteni uložak ovlaživača iz košare plovka i zbrinite ga.

OPREZ

Moguća oštećenja uređaja zbog skidanja tijela plovka!

► Ne skidajte tijelo plovka prilikom raspakiravanja uređaja.

3. **H 3** Postavite novi uložak ovlaživača na košaru plovka.
4. **H 4** Za zatvaranje paketa s plovkom postavite vrh plovka na košaru plovka i na uložak ovlaživača, pritisnite prema dolje pa okrenite u smjeru kretanja kazaljke na satu (strelica CLOSE).
5. Za provjeru vrha plovka lagano ga povucite prema gore. Pritom se taj vrh plovka ne smije moći podignuti s košare plovka.
6. Po potrebi još jedanput okrenite i provjerite vrh plovka.
7. Umetnite paket s plovkom u praznu posudu za vodu.
8. Sastavite uređaj (vidi poglavlje "Sastavljanje uređaja").

Zamjena Ionic Silver Stick®

✓ Uređaj je rastavljen i ispražnjen.

1. Ionic Silver Stick® izvadite s dna posude za vodu i zbrinite ga.
2. Novi Ionic Silver Stick® utaknite u držače na dnu posude za vodu.
3. Umetnite paket s plovkom u praznu posudu za vodu.
4. Sastavite uređaj (vidi poglavlje "Sastavljanje uređaja").

Sastavljanje uređaja

✓ Uređaj je rastavljen i ispražnjen.

1. Umetnite paket s plovkom u posudu za vodu.
 2. **B 5** Umetnite posudu za vodu zajedno s paketom s plovkom u donji dio držače je za ručke posude za vodu.
 3. Gornji dio postavite na donji dio.
 4. **B** Provjerite je li uređaj ispravno sastavljen.
 5. Provjerite da se u uređaju ne nalaze nikakva strana tijela.
- ↳ Uređaj je sastavljen.

Transportiranje uređaja

⚠ OPREZ

Opasnost od ozljeda uslijed dijelova u padu!

► U svrhu raspakiravanja i podizanja uređaj uvijek primajte samo za donji dio.

OPREZ

Moguća oštećenja zbog prelijevanja vode!

► Prije transportiranja ispraznite uređaj.

1. Ispraznite uređaj (vidi poglavlje "Rastavljanje i pražnjenje uređaja").
2. Posušite uređaj.
3. Podignite uređaj držeći ga za donji dio i prenesite ga na željeno mjesto.

Skladištenje uređaja

1. Očistite uređaj (vidi poglavlje "Čišćenje i održavanje uređaja").
2. Posušite uređaj.
3. Po mogućnosti zapakirajte uređaj u originalnu ambalažu.
4. Spremite uređaj na suho, hladno mjesto.

Zbrinjavanje uređaja

Isluženi uređaj predajte specijaliziranom trgovcu radi propisnog zbrinjavanja. Prilikom zbrinjavanja poštujujte nacionalne propise. Daljnje mogućnosti zbrinjavanja saznat ćete u mjesnoj zajednici ili gradskoj upravi.

Pričuvni dijelovi i pribor

Pričuvne dijelove i pribor možete nabaviti kod svog specijaliziranog trgovca i sami ih zamijeniti na uređaju. Smiju se upotrebljavati samo originalni dijelovi proizvođača. Popravke smije izvoditi samo stručno osoblje. To vrijedi i za neispravan mrežni kabel.

Pribor	Oznaka
Uložak ovlaživača	A7018
Ionic Silver Stick®	A7017
Sredstvo za uklanjanje kamenca	A7417

Česta pitanja

P. Zašto je vlažnost zraka u mojoj sobi preniska?

0. Koliko često upotrebljavate ovaj uređaj? Ako uređaj radi samo noću, tijekom dana smanjuje se vlažnost zraka, budući da se zraku ne dovodi konstantno vlažnost.
0. Drvo, koža, sagovi, zavjese i drugi materijali uzimaju puno vlage, čime se smanjuje vlažnost zraka u prostoriji. Ako je prozor otvoren, vlažnost može izići iz prostorije.

Česti uzrok tomu jest činjenica da se ovaj uređaj postavlja pored grijaćeg tijela kako bi vlažnost zajedno s toplim zrakom brže raspodjeljivao po prostoriji. Međutim, to ne funkcionira. Topli zrak koji izlazi uzima veći dio te vlažnosti prije nego što ona uopće dođe do zraka u prostoriji.

P. Trebam li vrata otvoriti ili zatvoriti tijekom rada uređaja?

0. U slučaju da su vrata otvorena vlažnost napušta prostoriju i raspodjeljuje se i u drugim područjima kuće. Želite li povećati vlažnost zraka u nekoj određenoj prostoriji, trebali biste paziti na to da vrata te prostorije budu zatvorena tijekom rada uređaja.

P. Koliko bi trebala biti visoka vlažnost zraka u mojoj sobi?

0. Preporučuje se vlažnost zraka od 40–60 %.

P. Koje su posljedice preniske ili previsoke vlažnosti zraka?

0. Suhi zrak može dovesti do suhoće kože, elektrostatičkih naboja, razgođenih glazbala, povećanog nakupljanja prašine, oštećenja na drvenim predmetima (isušivanje i pucanje), nedobrobiti, bolesti, a može i isušiti sluznicu nosa. Previsoka vlažnost zraka može dovesti do stvaranja plijesni i do odljepljivanja tapeta.

P. Zašto mi je potreban ovlaživač kad mogu jednostavno otvoriti prozor?

0. Vlažnost vanjskog zraka nije dovoljno visoka za ovlaživanje prostorije.

P. Gdje bih trebao/-la postaviti svoj ovlaživač?

0. Uređaj bi trebao stajati slobodan, nenaslonjen na zid, prozor, vrata ili toplinski most kako bi zrak u uređaju mogao slobodno optjecati.

P. Je li loše ako moj uređaj radi na suho?

0. Ako postoji mogućnost rada na suho, npr. ako ne možete nadoliti vode, isključite uređaj prije nego što napustite prostoriju. Bez vode uređaj ne može ovlaživati zrak, a to može dovesti do stvaranja neugodnih mirisa.

P. Može li se ovaj uređaj koristiti tijekom cijele godine?

0. Da, ovaj uređaj možete koristiti tijekom cijele godine. Uređaj stvara relativnu vlažnost zraka sve dok zrak u prostoriji ne postane zasićen. Na taj način ovaj uređaj ne može zrak učiniti "prevlažnim".

P. Mogu li posudu za vodu prati u perilici posuđa?

0. Ne, posudu za vodu ne smijete prati u perilici posuđa, jer će se ona u protivnom otopiti.

Opće informacije o ovlaživanju zraka

Jeste li znali da suhi zrak u prostoriji

- isušuje sluznicu te prouzrokuje pucanje usnica i pečenje u očima?
- pospješuje infekcije i oboljenja dišnih putova?
- dovodi do napetosti, umora i poteškoća u koncentraciji?
- opterećuje domaće životinje i sobne biljke?
- pospješuje nakupljanje prašine i povećava elektrostatički naboj tkanina od umjetnih vlakana, sagova i podova od umjetnih materijala?
- oštećuje namještaj od drveta, a posebice parket na podovima?
- razgađa glazbala?

Tjelesna dobrobit čovjeka i životinja ovisi o mnogim utjecajima. Jedan od njih jest i ispravno ovlaženi zrak u prostoriji. Tijekom razdoblja grijanja zagrijava se vanjski zrak koji kroz prozore struji u stambene prostorije. Posljedica toga je silno snižavanje relativne vlažnosti zraka. Za biljke i životinje to je nepovoljna klima, drveni predmeti i namještaj se isušuju, a ljudi se ne osjećaju dobro i postaju u znatnoj mjeri podložni bolestima prehlade. U pravilu je klima u prostoriji ugodna samo onda kada relativna vlažnost zraka iznosi između 40 i 60 %. Ovlaživanje zraka ima smisla posebice u zimskim mjesecima.

Otklanjanje smetnji

i Popravke električnih uređaja smije izvoditi samo stručno osoblje. Neproispisni popravci mogu dovesti do znatnih opasnosti po korisnika, a time se gubi i pravo na jamstvo.

UPOZORENJE

Životna opasnost od strujnog udara!

- ▶ Ne provodite popravke električnih dijelova.

Smetnja	Uzrok	Rješenje
Uređaj ne funkcionira.	Mrežni utikač nije utaknut.	▶ Utaknite mrežni utikač i uključite uređaj.
	Posuda za vodu nije umetnuta prilikom sastavljanja uređaja.	▶ Umetnite posudu za vodu (vidi poglavlje "Sastavljanje uređaja").
Stvaranje šumova	Posuda za vodu nije ispravno umetnuta.	▶ Ispravno umetnite posudu za vodu (vidi poglavlje "Sastavljanje uređaja").
Nema ovlaživanja zraka	Nema vode u posudi za vodu.	▶ Napunite posudu za vodu (vidi poglavlje "Punjenje uređaja").
	Na uložku ovlaživača nataložio se kamenac.	▶ Zamijenite uložak ovlaživača (vidi poglavlje "Zamjena uložka ovlaživača").
Vrh plovka s prstenom razine popunjenosti nije vidljiv prilikom punjenja.	Prilikom sastavljanja zaboravili ste neki dio uređaja.	▶ Izvucite mrežni utikač. ▶ Provjerite je li uređaj ispravno sastavljen (slika B).
	Uređaj je pogrešno sastavljen.	
Uređaj gubi vodu.	Uređaj je prepunjen.	▶ Ispraznite vodu (vidi poglavlje "Rastavljanje uređaja"). ▶ Posušite uređaj. Obrišite vodu koja pritom istječe.
	Prilikom sastavljanja zaboravili ste neki dio uređaja.	▶ Izvucite mrežni utikač. ▶ Provjerite je li uređaj ispravno sastavljen (slika B).
	Uređaj je pogrešno sastavljen.	
Uređaj prouzrokuje stvaranje neugodnih mirisa.	Uređaj nije napunjen tijekom rada.	▶ Napunite uređaj (vidi poglavlje "Punjenje uređaja").
	Uložak ovlaživača je zaprljan.	▶ Zamijenite uložak ovlaživača (vidi poglavlje "Zamjena uložka ovlaživača").

Használati utasítás

Magyar

Oldal	Fejezet
40	A dokumentumról
40	Biztonságtechnikai tudnivalók
41	Műszaki adatok
41	A készülék leírása
41	Működési elv
41	A készülék kicsomagolása
41	Készülék üzembevétele
42	A készülék be-/kikapcsolása
42	A készülék tisztítása és karbantartása
43	A készülék szállítása
43	A készülék tárolása
43	A készülék ártalmatlanítása
43	Pótalkatrészek és tartozékok
43	Gyakori kérdések
44	Általános információk a párologtatással kapcsolatban
44	Üzemzavarok elhárítása

A dokumentumról

A használati utasítás a termékhez tartozik és annak biztonságos kezelését írja le. A használati utasítás kizárólag az itt bemutatott termékre érvényes.

- Az üzembe helyezés előtt olvassa végig a használati utasítást.
- Őrizze meg a használati utasítást a termék élettartama alatt.
- Adja át a használati utasítást a termék minden további tulajdonosának és felhasználójának és csatolja a gyártótól kapott kiegészítéseket.
- A gyártó elhárít mindenféle felelősségvállalást azon károk esetén, amelyek a használati utasítás be nem tartása miatt következtek be.

Rendeltetésszerű használat

A készülék kizárólag max. 120 m³ nagyságú lakóhelyiségek nedvesítésére szolgál. Nagyobb helyiségekben az optimális páratartalmat (50 % relatív páratartalom) esetleg nem lehet elérni. A készüléket más célra használni tilos. Nem szabad semmilyen idegen tárgyat a készülékbe dugni. A készüléket csak a jelen használati útmutatóban meghatározott célokra használható.

Garancia

A garanciális rendelkezéseket az országos képviselők állapítják meg. Forduljon a szakkereskedőhöz, ha a készüléken hiba lép fel. A garancia teljesítéséhez feltétlenül szükséges a vásárlási igazolás bemutatása.

CE-megfelelőség és az érvényben lévő irányelvek

A készülék megfelel a CE konform és megfelel a következő irányelveknek:

- 2006/95/EK az elektromos biztonságról
- 2004/108/EK az elektromágneses összeférhetőségről

- 2002/95/EK egyes veszélyes anyagok elektromos és elektronikus berendezésekben való alkalmazásának korlátozásáról
- 2002/96/EK az elektromos és elektronikus berendezések hulladékairól

Utalások és kiemelések a dokumentumban

A dokumentum figyelmeztető utalásokat tartalmaz a sérülések és dologi károk elkerülése érdekében. Ezek felépítése a következő:



FIGYELMEZTETÉSI SZINT

A veszély oka és következménye

- ▶ Intézkedés a veszély elkerülése céljából

A következő figyelmeztetési szintek léteznek:

Figyelmeztetési szint	Leírás
FIGYELMEZTETÉS	Esetlegesen fenyegető veszély. Figyelmet kívül hagyása esetén halál vagy súlyos sérülések fenyegetnek.
VIGYÁZAT	Veszélyes helyzet. Figyelmet kívül hagyása kisebb sérülésekhez vezethet.
VIGYÁZAT	Kritikus helyzet. Figyelmet kívül hagyása dologi károkat okozhat.

A dokumentumban a következő szimbólumok használatosak az információkhoz való gyors hozzáférés érdekében:

Szimbólum	Leírás
✓	Előfeltétel, amelynek a művelet elkezdése előtt teljesülnie kell.
▶	Egy vagy olyan több lépésből álló művelet, ahol a lépések sorrendje nem releváns.
1. 2.	Több lépésből álló művelet, ahol a lépések sorrendje releváns.
•	Első szintű felsorolás
-	Másodszintű felsorolás
↪	Egy vagy több művelet eredménye
(lásd...)	Fejezetre vagy ábrára való utalás
i	Fontos információk
A 1	Az ábra pozíció számára való utalás, pl. A ábra, 1. pozíció

Biztonságtechnikai tudnivalók

- A készülék használata előtt olvassa el ezt a használati utasítást és tárolja biztonságos helyen.
- A készüléket tilos olyan személyeknek használnia, akik nem ismerik a használati utasítást, gyógyszer, alkohol vagy drog hatása alatt vannak, továbbá gyerekeknek is tilos kezelniük a készüléket.

- A készüléket kizárólag a rendeltetésszerű használatnak megfelelően, a megadott műszaki adatok határain belül használja. A nem előírás szerinti használat életet és egészséget veszélyeztethet.
- **A 1** A gyerekek nem tudják felismerni azokat a veszélyeket, amelyek az elektromos készülékek használata során rájuk leselkednek. Ezért a gyerekeket mindig szemmel kell tartani, ha a készülék közelében tartózkodnak.
- A készüléket nem szabad olyan helyiségekben üzemeltetni, ahol tűzveszélyes áruk, gázok vagy gőzök találhatóak.
- A készüléket nem szabad módosítani és a készülékbe nem szabad semmilyen idegen tárgyat bedugni.

Az elektromossággal való bánásmód során áramütés okozta életveszély áll fenn. Az elkerülés céljából vegye figyelembe a következő tudnivalókat:

- A készüléket nem szabad esőbe kiállítani.
- A készüléket nem szabad olyan helyiségekben használni, ahol a relatív páratartalom > 70 %.
- Használaton kívül a hálózati dugót ki kell húzni.
- **A 2** A hálózati dugót soha ne húzza ki a kábelnél fogva a dugaszoló aljzattól.
- **A 3** A hálózati dugót nedves kézzel soha nem szabad dugaszoló aljzattól kihúzni vagy dugaszoló aljzatba bedugni.
- **A 4** A készüléket csak váltóáramra szabad csatlakoztatni.
- **B 14** A készüléket csak a készülék típusabláján megadott feszültséggel szabad üzemeltetni.
- A készüléket **nem** szabad üzembe helyezni:
 - **A 5** ha a kábel vagy a dugó sérült.
 - hibás működés után.
 - **A 6** ha leesett vagy más módon megsérült.
- **A 7** A villamos készülékek javításait csak szakember végezheti el. A sérült kábelt csak szakember javíthatja/cserélheti.
- A hálózati dugót a következő esetekben kell kihúzni a dugaszoló aljzattól:
 - a készülék minden egyes leürítése előtt,
 - minden tisztítás előtt,
 - a párologtató betét vagy az Ionic Silver Stick® minden cseréje előtt,
 - az egyes alkatrészek minden beszerelése/szét szerelése előtt,
 - a felső rész leemelése előtt,
 - minden áthelyezés előtt.
- **A 8** Soha ne merítse az elektromos részeket és a ventilátort tartalmazó alsó részt vízbe vagy más folyadékba, ill. soha ne mossa le vízzel vagy más folyadékkal.

A sérülések elkerülése céljából vegye figyelembe a következő tudnivalókat:

- **A 9** A készüléket úgy kell elhelyezni, hogy a kábelben ne lehessen elbotlani.
- A készüléket úgy helyezze el, hogy ne lehessen véletlenül felborítani.
- **A 10** A kábelt nem szabad az ajtóba vagy más tárgyakkal beszorítani.
- A kábelt nem szabad letakarni.

A dologi károk elkerülése céljából vegye figyelembe a következő tudnivalókat:

- **A 11** Ne üljön rá a készülékre és ne helyezzen rá semmiféle tárgyat.
- **A 12** A készüléket csak sík, száraz felületen szabad felállítani.

- A készülék be- és kilépő levegőnyílásait feltétlenül szabadon kell hagyni.
- A készülék feltöltéséhez kizárólag tiszta edényeket szabad használni.
- Győződjön meg róla, hogy az öntöző kanna nem tartalmaz műtrágyát vagy hasonló anyagokat.
- Ne töltsön adalék anyagokat a készülékbe vagy a vízteknőbe.
- Víz-adalékokat (pl. éteres olajok, illatanyagok, víz tisztántartó szerek) **nem** szabad használni. Az anyag nem alkalmas adalékok használatára.
- A készüléket csak teljesen összeszerelve és kifogástalan állapotban szabad használatba venni.

Műszaki adatok

	Érték
Hálózati feszültség	230 V / 50 Hz
Teljesítményfelvétel	20 W
Párásítási teljesítmény	max. 220 gr/h
A köv. nagyságú helyiség számára alkalmas	max. 40 m ²
Befogadóképesség	max. 3,8 l min. 0,2 l
Méret HxSxM	320 x 320 x 400 mm
Tömeg üres állapotban	3,8 kg
Üzemi zajszint	< 25 dB(A)

A készülék leírása

A készülék az alábbi részegységekből áll:

- **B 1** Betöltőnyílás
- **B 2** Felső rész betöltő nyílással
- **B 3** Úszó csomag (B 16–19)
- **B 4** Ionic Silver Stick® (ISS)
- **B 5** Vízteknő (B 5–7)
- **B 6** Töltési szint
- **B 7** A teknő fogantyú
- **B 8** Kiöntő
- **B 9** Emlékeztető kártya az Ionic Silver Stick® (ISS) számára
- **B 10** Hálózati kábel/dugó
- **B 11** Alsó rész (B 11–14)
- **B 12** Ventilátor
- **B 13** Tolókapcsoló (B 20–21)
- **B 14** Teljesítmény tábla (a készülék alsó részén)

Az úszócsomag az alábbi részegységekből áll:

- **B 15** Úszó csúcs
- **B 16** Töltési szint gyűrű (maximum 3,8 l)
- **B 17** Párologtató betét A7018
- **B 18** Úszó kosár
- **B 19** Úszó test

A tolókapcsoló az alábbi részegységekből áll:

- **B 20** Tolókapcsoló
- **B 21** Működésjelző lámpa

Üzem módok

A tolókapcsolón a következő üzemmódokat lehet beállítani:

Pozíció	Működés
0	A készülék ki van kapcsolva
I	A készülék éjszakai üzemmódban működik (zajszegény) A működésjelző lámpa zöldre vált
II	A készülék normál üzemmódban működik (maximális párologtatási teljesítmény) A működésjelző lámpa zölden világít

Működésjelző lámpa

A működésjelző lámpa zölden világít, míg a készülék bekapcsolt állapotban van. Ha a vízteknőt leemeli az alsó részről, a zöld LED pirosra vált és a készülék üzemelése megszakad, a készülék azonban nem árammentes. A piros LED csak a vízteknő alsó részre való visszahelyezése után vált ismét zöldre és a készülék üzemelése folytatódik.

Teljesítmény tábla

B 14 A teljesítmény táblán a következő információk találhatóak:

- Terméknév
- Hálózati feszültség
- Teljesítményfelvétel
- Érintésvédelmi osztály
- Gyártási szám
- Gyártási dátum
- Megfelelőségi jel

i Az ábrán látható teljesítmény tábla adatai csak példaként szerepelnek. Kérjük ellenőrizze az Ön készülékének teljesítmény tábláján szereplő adatokat.

Működési elv

A készülék feltöltésekor az úszókapcsoló a vízszinttel együtt emelkedik. Amikor a víz szintje eléri a töltési szintet, az úszó csúcsa elzárja a készülék betöltő nyílását. A párologtató betét teleszívja magát vízzel. A ventilátor hatására a száraz helyiséglevegő átáramlik a betéten és megfelelő mértékben párásított levegőként távozik. A légáram célzott vezetésével megközelítőleg állandó párasítás válik lehetővé a vízszinttől függetlenül. A készülék ezáltal optimális levegő páratartalmat hoz létre, anélkül hogy, további vezérlő készülékekre lenne szükség.

Ionic Silver Stick® a víz tisztántartására

B 4 A speciálisan kialakított Ionic Silver Stick® antibakteriális védőrendszer megakadályozza a kórokozók és baktériumok képződését a teknőben levő vízben. A víz tisztán tartásához ezért semmilyen adalékanyag nem szükséges.

Az Ionic Silver Stick® önmegújító, karbantartást nem igényel és akár egy évig is elég lehet.

Emlékeztető kártya

B 9 A készülék szabványszerűen az Ionic Silver Stick® kicserélésére figyelmeztető emlékeztető kártyával van ellátva. Annak érdekében, hogy később is tudja, mikor helyezte üzembe az Ionic Silver Stick® rendszert, jelölje meg az emlékeztető kártyán az adott hónapot és íja mellé az adott évet az arra szánt vonalra.

A készülék kicsomagolása

i A készülék szállításkor teljesen össze van szerelve és a párologtató betét is benne található.

i Az úszó test az úszócsomag része és nem tartozik a csomagoláshoz.

VIGYÁZAT

Sérülésveszély a leeső alkatrészek miatt!

- ▶ Kicsomagoláskor és felemeléshez a készüléket mindig az alsó résznél fogja meg.

VIGYÁZAT

A készülék károsodása az úszó test eltávolítása révén!

- ▶ Ne távolítsa el kicsomagoláskor az úszótestet.

1. Nyissa ki a csomagolást.
2. **C 1** Vegye le a styropor csomagolás felső felét.
3. **C 2** Fogja meg a készülék betöltőnyílását és tartsa fogva a műanyag tasak felső végét.
4. **C 3** Óvatosan húzza ki a műanyag tasakot a készülékkel együtt a csomagolásból. Ehhez fogja meg erősen a műanyag tasakot és a csomagolásból történő kivétel során ne engedje el.
5. **C 5** Állítsa a műanyag tasakot a készülékkel együtt a padlóra és tolja le a műanyag tasakot a készülékről.
6. **C 6** Fogja meg a készüléket az alsó résznél és felfelé emelje ki a műanyag tasakból.
↪ A készülékről el van távolítva az összes csomagolási elemet, valamint a műanyag tasak.
7. **B 14** Ellenőrizze a hálózati csatlakoztatás adatait a teljesítmény táblán.
8. **B** Ellenőrizze, hogy meg található-e a készülék összes része.

Készülék üzembevétele

Készülék elhelyezése

VIGYÁZAT

A műanyag károsodása magas hőmérséklet miatt!

- ▶ A készüléket nem szabad > 50 °C hőmérsékleteknek kitenni.

A készülék felállításakor be kell tartani a következő utasításokat:

- **A 14** Figyelni kell a jó hozzáférhetőségre és arra, hogy elegendő hely legyen a készülék karbantartásához és tisztításához.
- A készüléket csak feltöltött állapotban szabad üzembe helyezni!

1. A készüléket a helyiségben a talajra vagy egy sík, száraz felületre kell állítani.
2. Töltse fel a készüléket (lásd "A készülék feltöltése" című részt).

A készülék feltöltése

A készülék vízzel történő feltöltésére az alábbi lehetőségek vannak:

- a felső rész betöltőnyílásán keresztül vagy
- közvetlenül a kivett vízteknőbe vízcspánál.

✓ A készülékben semmilyen idegen tárgy nem található

✓ **B** A készülék előírás szerint össze van állítva.

i Hosszabb állásidő után ürítse ki és tisztítsa meg a készüléket. Az ismételt üzembe helyezés előtt töltsen fel friss vízzel a készüléket. Ellenkező esetben zavaró zajok keletkezhetnek.

VIGYÁZAT

A műanyag károsodása és repedések a vízben található adalékanyagok miatt!

- ▶ Semmilyen adalékot (pl. éteres olajokat vagy egyéb illatanyagokat) nem szabad a vízbe tenni.
- ▶ Győződjön meg róla, hogy az edényben, amellyel a készüléket feltölti, nincsenek vízben oldódó adalékanyagok (pl. növény műtrágya).

VIGYÁZAT

Vízárak túltöltés miatt!

- ▶ A feltöltéskor a a töltésszint vonal által jelzett 3,8 l-es maximális töltésszintet nem szabad túllépni.

Készülék feltöltése a betöltő nyíláson keresztül:

1. **D 1** Töltse fel a készüléket tiszta edény (pl. kancsó) segítségével.
 2. **D 2** Öntsön egy tiszta edénnyel friss, hideg vizet a felső rész betöltő nyílásán keresztül.
 3. **D 3** Fejezze be a feltöltést, amint az úszó piros töltési szint gyűrűje megjelenik a betöltő nyílásnál
- A készülék fel van töltve vízzel és bekapcsolható.

Készülék feltöltése a vízteknőn keresztül:

✓ **E 1** A készülék ki van kapcsolva és a hálózati dugó ki van húzva (lásd "A készülék be-/kikapcsolása" című részt).

1. **E 2** Emelje le a felső részt az alsó részről.
 2. **E 3** Emelje fel a teknő fogantyújánál fogva a vízteknőt az úszócsomaggal együtt.
 3. **E 4** Töltsön friss, hideg vizet közvetlenül a teknőbe.
 4. **E 4** Addig töltsön bele vizet, amíg a víz szintje eléri a teknő belső oldalán látható maximális töltési szintet.
 5. Helyezze vissza a feltöltött vízteknőt az úszócsomaggal együtt az alsó részre.
 6. Helyezze a felső részt az alsóra.
- A készülék fel van töltve vízzel és bekapcsolható.

A készülék be-/kikapcsolása

i Ha a készüléket üres vízteknővel helyezi üzembe, ill. vagy üzemelés közben a teknő kiürül, a párologtató betét kiszárad és nem párosítja tovább a levegőt, valamint kellemetlen szag keletkezhet.

✓ A készülék fel van töltve vízzel.

1. Dugja be a hálózati dugót a dugaszolóaljzatba.
 2. A tolókapcsolót szükség szerint I vagy II pozícióba kell állítani (lásd az "Üzem módok" c. fejezetet).
- A készülék be van kapcsolva.

1. A tolókapcsolót 0 állásba állítani.

FIGYELMEZTETÉS

Áramütés miatti életveszély!

- ▶ A dugót nem szabad nedves kézzel kihúzni a dugaszoló aljzattól.

2. **E 1** Húzza ki a hálózati csatlakozódugót.

→ A készülék kikapcsolt, árammentes állapotban van.

A készülék tisztítása és karbantartása

Az üzemeltetés során a párologtató betét szívó és párologtató teljesítménye csökken. Ezért a készülék rendszeres karbantartása és tisztítása a zökkenő- és zavarmentes üzemeltetés előfeltételét képezi.

VIGYÁZAT

A műanyag károsodása nem megfelelő tisztítószer használata miatt!

- ▶ Ne használjon sav tartalmú tisztítószereket.

- ▶ Törölje le a készüléket nedves kendővel.

Tisztítási és karbantartási időközök

Az ajánlott tisztítási és karbantartási időközök a levegő és víz minőségétől, valamint a tényleges üzemidőtől függenek.

Időközök	Tevékenység
naponta egyszer	vízszint ellenőrzés, szükség esetén víz utántöltés (lásd "A készülék feltöltése" c. fejezetet)
min. egy hét üzem nélkül	A készülék leürítése és tisztítása (lásd a "Készülék szétszerelése és leürítése" c. fejezetet)
2 hetente	Vízteknő tisztítása (lásd a "A vízteknő tisztítása" c. fejezetet)
10–12 hetente (vagy szükség szerint)	Párologtató betét cseréje (lásd a "Párologtató betét cseréje" című részt)
évente 1–2 alkalommal	Ventilátor tisztítása (lásd a "Ventilátor tisztítása" c. fejezetet)

Időközök	Tevékenység
évente 1-szer	Ionic Silver Stick® cseréje (lásd az "Ionic Silver Stick® cseréje" c. fejezetet)

A készülék szétszerelése és leürítése

A készülék tisztítás céljából néhány mozdulattal szétszerelhető.

FIGYELMEZTETÉS

Áramütés miatti életveszély!

- ▶ A dugót nem szabad nedves kézzel kihúzni a dugaszoló aljzattól.

✓ **F 1** A készülék ki van kapcsolva és a hálózati dugó ki van húzva

1. **F 3** Emelje le a felső részt az alsó részről.
2. **F 4** Vegye ki a vízteknőt az úszócsomaggal együtt a teknő fogantyújánál fogva.
3. **F 5** Ürítse ki a maradék vizet a teknőből a kiöntőn keresztül.
4. **F 6** Vegye ki az úszócsomagot az üres vízteknőből.

FIGYELMEZTETÉS

Áramütés miatti életveszély!

- ▶ A vizet ne az elektromos részekon keresztül ürítse ki.

5. Ha az alsó részben víz található: Ürítse ki az alsó részt és szárítsa meg.

→ A készülék szét van szerelve és le van ürítve.

A vízteknő tisztítása

✓ A készülék szét van szerelve és le van ürítve

FIGYELMEZTETÉS

Áramütés miatti életveszély!

- ▶ A tisztítás előtt a hálózati dugót ki kell húzni.
- ▶ Az elektromos részeket és ventilátort tartalmazó alsó részt soha ne helyezze víz alá.

1. **G 1** Mossa ki a vízteknőt langyos vízzel.
2. **G 2** Alaposabb tisztításhoz tisztítsa meg a vízteknőt a kereskedelemben kapható kefével.
3. A vízteknő vízkötelenítéséhez használja a javasolt vízkő-eltávolító szert (lásd a "Pótalkatrészek és tartozékok" című részt).
4. Tisztítás után szárítsa meg a részeket.
5. Helyezze be megfelelően az úszócsomagot a vízteknőbe.
6. Szerelje össze a készüléket (lásd a "A készülék összeszerelése" című részt).

Ventilátor tisztítása

✓ A készülék szét van szerelve és le van ürítve.

1. **G 3** A ventilátort egy enyhén benedvesített kendővel vagy tisztítóronggyal kell letörölni.
2. Tisztítás után szárítsa meg a részeket.
3. Szerelje össze a készüléket (lásd a "A készülék összeszerelése" című részt).



A párologtató betét cseréje

Eros szennyeződés, vízkő- és szagképződés, csökkentett szívóteljesítmény stb. esetén a párologtató betétet ki kell cserélni. Párologtató betétek a szaktereskedelemben kaphatók, ahol a készüléket vásárolta.

✓ A készülék szét van szerelve és le van ürítve.

i Kizárólag a gyártó eredeti párologtató betétjeit használja (lásd a "Pótalkatrészek és tartozékok" című részt).

VIGYÁZAT

A nedves párologtató betét károsodása mosás vagy kicsavarása miatt!

▶ Ne mossa ki és ne csavarja ki a párologtató betétet.

- H 1** Az úszócsomag kinyitásához forgassa az úszó csúcsát az óra járásával ellentétes irányba (OPEN nyíl) és vegye le felfele húzva.
- H 2** Húzza le az elhasznált párologtató betétet az úszókosárról felfele húzva és ártalmatlanítsa.

VIGYÁZAT

A készülék károsodása az úszó test eltávolítása révén!

▶ Ne távolítsa el kicsomagoláskor az úszótestet.

- H 3** Helyezzen fel új párologtató betétet az úszókosárra.
- H 4** Az úszócsomag bezárásához helyezze az úszó csúcsát az úszókosárra és a párologtató betétre, nyomja lefele és forgassa el az óra járásával megegyező irányba (nyíl: CLOSE).
- Ellenőrizze az úszó csúcsát enyhén felfele húzva. Ennek során az úszó csúcsnak nem szabad felemelkednie az úszókosárról.
- Adott esetben forgassa el még egyszer az úszó csúcsát és ellenőrizze.
- Helyezze be megfelelően az úszócsomagot a vízteknőbe.
- Szerelje össze a készüléket (lásd "A készülék összeszerelése" című részt).

Az Ionic Silver Stick® cseréje

✓ A készülék szét van szerelve és le van ürítve.

- Vegye ki az Ionic Silver Stick® rendszert a vízteknő aljáról és ártalmatlanítsa.
- Helyezzen be új Ionic Silver Stick® rendszert a vízteknő alján található tartóba.
- Helyezze be megfelelően az úszócsomagot a vízteknőbe.
- Szerelje össze a készüléket (lásd "A készülék összeszerelése" című részt).

A készülék összeszerelése

✓ A készülék szét van szerelve és le van ürítve.

- Helyezze be megfelelően az úszócsomagot a vízteknőbe.
- B 5** Helyezze be a vízteknőt az úszócsomaggal együtt a teknő fogantyúinál fogva az alsó részbe.
- Helyezze a felső részt az alsóra.

4. **B** Győződjön meg róla, hogy a készülék helyesen van összerakva.

5. Győződjön meg róla, hogy semmilyen idegen tárgy nem található a készülékben.

→ A készülék össze van rakva.

A készülék szállítása

! VIGYÁZAT

Sérülésveszély a leeső alkatrészek miatt!

▶ Kicsomagoláskor és felemeléshez a készüléket mindig az alsó résznél fogja meg.

VIGYÁZAT

Vízkárok a túlfolyó víz miatt!

▶ A készüléket a szállítás előtt le kell üríteni.

- A készülék leürítése (lásd a "Készülék szétszerelése és leürítése" c. fejezetet).
- A készüléket meg kell szárítani.
- Emelje fel a készüléket az alsó résznél fogva és vigye a kívánt helyre.

A készülék tárolása

- A készülék tisztítása (lásd a "Készülék tisztítása és karbantartása" c. fejezetet).
- A készüléket meg kell szárítani.
- Csomagolja a készüléket lehetőség szerint az eredeti csomagolásba.
- A készüléket száraz, hűvös helyen tárolja.

A készülék ártalmatlanítása

A már nem használható készüléket adja át a szaktereskedőnek szakszerű ártalmatlanítás céljából. Az ártalmatlanításnál vegye figyelembe a nemzeti előírásokat. További ártalmatlanítási lehetőségekre vonatkozó információkért forduljon a helyi önkormányzathoz vagy a városházához.

Pótalkatrészek és tartozékok

A pótalkatrészeket és tartozékokat a szaktereskedőjénél tudja beszerezni és a készülékben saját maga kicserélni. Csak a gyártó eredeti pótalkatrészeit szabad használni. A javításokat csak szakember végezheti. Ez érvényes a hibás hálózati kábelre is.

Tartozék	Megnevezés
Párologtató betét	A7018
Ionic Silver Stick®	A7017
Vízkő-eltávolító szer	A7417

Gyakori kérdések

K. Miért túl alacsony a páratartalom a szobámban?

V. Milyen gyakran használja a készüléket? Ha a készülék csak éjszaka üzemel, nappal csökken a levegő páratartalma, mivel a levegő párástítása nem állandó.

V. A fa, a bőr, a szőnyegek, függönyök és egyéb anyagok sok párát vesznek fel, ami csökkenti a helyiség páratartalmát.

Ha nyitva van az ablak, akkor a szoba páratartalma lecsökkenhet.

Gyakori ok, hogy a készülék fűtőtest mellett állítják fel, hogy a meleg levegővel a pára gyorsabban szétterjedjen a helyiségben. Ez azonban nem működik. A kilépő forró levegő felveszi a pára nagy részét, mielőtt az a helyiséget elérné.

K. Nyitva vagy zárva kell tartani az ajtót, míg a készülék üzemel?

V. Nyitott ajtó esetén a pára kiáramlik a helyiségből és a ház más területein is szétterjed. Ha egy adott helyiség levegőjének páratartalmát szeretné növelni, figyeljen arra, hogy a helyiség ajtaja zárva legyen, miközben a készülék üzemel.

K. Mekkora páratartalom kell, hogy legyen a szobámban?

V. 40–60 % páratartalom ajánlott.

K. Milyen következményekkel jár a túl magas vagy túl alacsony páratartalom?

V. A száraz levegő a bőr szárazságát, elektrosztatikus feltöltődést, hangszerek elhangolódását, fokozott porképződést, a fa tárgyak károsodását (kiszáradás és repedések), kellemetlen közérzetet, betegségeket okozhat és kiszáráthatja az orr nyálkahártyáját. A túl magas páratartalom penész képződéséhez és a tapéta leváláshoz vezethet.

K. Miért van szükségem párologtatóra, ha egyszerűen kinyithatom az ablakot is?

V. A külső levegő páratartalma nem elég magas ahhoz, hogy a helyiség levegőjét párássa.

K. Hol állítsam fel a párologtatómat?

V. A készüléknek szabadon és nem fal mellett, ablaknál, ajtónál vagy hőhíd közelében kell állnia, hogy a levegő a készülék körül szabadon keringjen.

K. Nagy problémát jelent, ha a készülék szárazon üzemel?

V. Ha a szárazon való üzemelés lehetősége fennáll, pl. ha nincs rá lehetőséget vizet utántölteni, kapcsolja ki a készüléket, mielőtt elhagyja a helyiséget. A készülék víz nélkül nem párástítja a levegőt és kellemetlen szagok keletkezhetnek.

K. Használható a készülék egész éven keresztül?

V. Igen, a készülék egész évben használható. A készülék viszonylagos levegő páratartalmat hoz létre, amíg a helyiség levegője telítődik. Ezáltal a készülék nem hozhat létre "túl magas" páratartalmat.

K. Tisztítható a vízteknő mosogatógépben?

V. Nem, vízteknő nem tisztítható mosogatógépben, mivel megolvadna.

Általános információk a párologtatással kapcsolatban

Tudta Ön, hogy a száraz levegő

- kiszárítja a nyálkahártyát, valamint cserepes ajkakhoz és szemviszketéshez vezet?
- kedvez a légutak fertőződésének és megbetegedésének?
- nyugtalansághoz, fáradtsághoz és a koncentráció gyengüléséhez vezet?
- terhelő a háziállatok és szobanövények számára?
- fokozza a porképződést és növeli a műanyag szálalás, szőnyegek és műanyag padlók elektrosztatikus feltöltődését?
- károsítja a fa berendezési tárgyakat és különösen a parkettet?
- hozzájárul a hangszerek elhangolódásához?

Az emberek és az állatok testi jó közérzete sok tényezőtől függ. Az egyik közülük a megfelelő páratartalmú helyiség levegője. A fűtési időszak alatt az ablakon át a lakóhelyiségbe érkező kinti levegő felmelegszik. Ennek következménye a relatív páratartalom rendkívüli lecsökkenése. A növények és állatok számára ez nem előnyös levegőt jelent, a fából készült tárgyak és bútorok kiszáradnak, az emberek kellemetlenül érzik magukat és fokozott mértékben hajlamosak válnak a megfázásos megbetegedésekre. A helyiség levegője rendszerint akkor kellemes, ha a relatív páratartalma 40 és 60 % között van. A levegő párasítása különösen télen célszerű.

Üzemzavarok elhárítása

i A villamos készülékek javításait csak szakember végezheti el. Szakszerűtlen javítások következtében jelentős veszély fenyegeti a készülék használatát és a garancia is érvényét veszti.

FIGYELMEZTETÉS

Áramütés miatti életveszély!

- ▶ Az elektromos részeket semmilyen javítást nem szabad végezni.

Hibajelenség	Hibaok	Megoldás
A készülék nem működik.	A hálózati csatlakozódugó nincs bedugva.	▶ Hálózati csatlakozódugót bedugni és a készüléket bekapcsolni.
	Az összeszerelésnél nem helyezte be a vízteknőt.	▶ Helyezze be a vízteknőt (lásd "A készülék összeszerelése" c. fejezetet).
Súrlódási zajok	A vízteknő nincs helyesen behelyezve.	▶ Helyezze be a helyesen a vízteknőt (lásd "A készülék összeszerelése" c. fejezetet).
Nem párasítja a levegőt	A vízteknőben nincs víz.	▶ Töltse fel vízzel a vízteknőt (lásd "A készülék feltöltése" c. fejezetet).
	A párologtató betét vízköves.	▶ Cserélje ki a párologtató betétet (lásd a "Párologtató betét cseréje" című fejezetet).
Feltöltéskor nem látható az úszó csúcsa a töltési szint gyűrűvel.	Az összeszereléskor kifelejtett egy alkatrészt.	▶ Húzza ki a hálózati csatlakozódugót. ▶ Ellenőrizze, hogy a készülék helyesen van-e összeszerelve (B ábra).
	A készülék hibásan van összerakva.	
A készülék vizet veszít.	A készülék túl lett töltve.	▶ A víz leürítése (lásd a "Készülék szétszerelése" c. fejezetet). ▶ A készüléket meg kell szárítani. Ennek során törölje fel a kifolyt vizet.
	Az összeszereléskor kifelejtett egy alkatrészt.	▶ Húzza ki a hálózati csatlakozódugót.
	A készülék hibásan van összerakva.	▶ Ellenőrizze, hogy a készülék helyesen van-e összeszerelve (B ábra).
A készülék rossz szagot bocsát ki.	A készülék feltöltés nélkül üzemel.	▶ Töltse fel a készüléket (lásd a "A készülék feltöltése" című fejezetet).
	A párologtató betét szennyezett.	▶ Cserélje ki a párologtató betétet (lásd a "Párologtató betét cseréje" című fejezetet).

Lietošanas instrukcija

Latviski

Lappuse Nodaļa

45	Par šo dokumentu
45	Drošības norādījumi
46	Tehniskie dati
46	Ierīces apraksts
46	Darbības princips
46	Ierīces izsaiņošana
46	Ierīces ekspluatācijas sākšana
47	Ierīces ieslēgšana/izslēgšana
47	Ierīces tīrīšana un apkope
48	Ierīces pārvietošana
48	Ierīces uzglabāšana
48	Ierīces utilizācija
48	Rezerves daļas un piederumi
48	Visbiežāk uzdotie jautājumi
49	Vispārēja informācija par gaisa mitrināšanu
49	Traucējumu novēršana

Par šo dokumentu

Šī lietošanas instrukcija ir izstrādājuma sastāvdaļa un apraksta tā drošu lietošanu. Lietošanas instrukcija attiecas tikai un vienīgi uz šeit aprakstīto izstrādājumu.

- Pirms ekspluatācijas sākšanas pilnībā izlasiet lietošanas instrukciju.
- Saglabājiet lietošanas instrukciju izstrādājuma kalpošanas laiku.
- Nododiet lietošanas instrukciju katram nākošajam izstrādājuma īpašniekam, pārņēmējam un lietotājam un pievienojiet no ražotāja saņemtus papildinājumus.
- Ražotājs nenes nekādu atbildību par zaudējumiem, kas rodas šīs lietošanas instrukcijas neievērošanas gadījumā.

Noteikumiem atbilstoša lietošana

Ierīce ir paredzēta tikai un vienīgi gaisa mitrināšanai dzīvojamās telpās līdz 120 m³. Lielākās telpās nevar panākt optimālo gaisa mitrumu (50 % no relatīvā gaisa mitruma). Ierīci nedrīkst izmantot citiem mērķiem. Ierīcē nedrīkst likt svešķermeņus. Ierīce jāizmanto tikai šajā lietošanas instrukcijā aprakstītajiem mērķiem.

Garantija

Garantijas noteikumus noteikusi mūsu valsts pārstāvēniecība. Ja ierīcei radies kāds defekts, griezties pie Jūsu specializētā tirgotāja. Lai saņemtu garantiju, noteikti nepieciešams uzrādīt pirkuma čeku.

CE atbilstība un spēkā esošās direktīvas

Ierīce atbilst CE prasībām un sekojošām direktīvām:

- 2006/95/EK par elektrodrošību
- 2004/108/EK par elektromagnētisko saderību
- 2002/95/EK par bīstamu ķīmisku vielu lietošanas ierobežojumiem elektriskās un elektroniskās iekārtās
- 2002/96/EK par elektrisko un elektronisko iekārtu atkritumiem

Norādījumi un atzīmes šajā dokumentā

Lai novērstu ievainojumus vai materiālos zaudējumus, šajā dokumentā tiek izmantoti brīdinājumi. Tiem ir šāda uzbūve:



BRĪDINĀJUMA PAKĀPE

Briesmu iemesls un sekas

- ▶ Pasākums briesmu novēršanai

Ir šādas brīdinājuma pakāpes:

Brīdinājuma pakāpe	Apraksts
BRĪDINĀJUMS	Iespējamās briesmas. Neievērošanas gadījumā draud nāve vai smagi ievainojumi.
UZMANĪBU	Bīstama situācija. Neievērošanas gadījumā var būt nelieli ievainojumi.
UZMANĪBU	Kritiska situācija. Neievērošanas gadījumā var būt materiālie zaudējumi.

Šajā dokumentā tiek izmantoti šādi simboli, lai ļautu ātrāk piekļūt informācijai:

Simbols	Apraksts
✓	Priekšnoteikums, kas jāizpilda pirms kādas darbības uzsākšanas.
▶	Darbība ar vienu vai vairākiem soļiem, kuru secība nav būtiska.
1. 2.	Darbība ar vairākiem soļiem, kuru secība ir būtiska.
•	Pirmā līmeņa uzskaitījums
-	Otrā līmeņa uzskaitījums
↪	Vienas vai vairāku darbību rezultāts
(skatīt...)	Norāde uz nodaļu vai attēlu
i	Svarīga informācija
A 1	Norāde uz numuru attēlā, piem., 1. numurs grafikā A

Drošības norādījumi

- Pirms ierīces izmantošanas izlasiet šo lietošanas instrukciju un uzglabājiet to drošā vietā.
- Personai, kuras nepārzina lietošanas instrukciju, kā arī bērni un personas, kuras lieto medikamentus, alkoholu vai narkotiskās vielas, ierīci nedrīkst lietot.
- Ierīce izmantojama tikai saskaņā ar noteikumiem atbilstošu lietošanu un, ievērojot norādītos tehniskos datus. Noteikumiem neatbilstoša izmantošana var apdraudēt veselību un dzīvību.
- **A 1** Bērni, rīkojoties ar elektroierīcēm, neapzinās risku. Tādēļ gadījumos, kad bērni atrodas ierīces tuvumā, tie vienmēr jāuzrauga.
- Nelietojiet ierīci telpās, kurās ir ugunsbīstamas vielas, gāzes vai tvaiki.
- Neveiciet ierīces izmaiņas un nelieciet ierīcē svešķermeņus.

Rīkojoties ar elektrību, strāvas trieciena rezultātā pastāv briesmas dzīvībai. Lai to novērstu, ievērojiet šādus norādījumus:

- Nenovietojiet ierīci lietū.
- Nelietojiet ierīci telpās ar relatīvo gaisa mitrumu > 70 %.
- Kad ierīce netiek lietota, atvienojiet kontaktdakšu.
- **A 2** Nekad neatvienojiet kontaktdakšu, raujot to no kontaktlīdzes aiz vada.
- **A 3** Neraujiet kontaktdakšu no kontaktlīdzes vai nespraudiet to kontaktlīdžā ar slapjām rokām.
- **A 4** Pieslēdziet ierīci tikai maiņstrāvai.
- **B 14** Lietojiet ierīci tikai ar spriegumu, kas atbilst ierīces datu plāksnītē norādītajam.
- Ierīci **nedrīkst** lietot:
 - **A 5** ja ir bojāts vads vai kontaktdakša.
 - pēc darbības traucējuma.
 - **A 6** ja tā ir nokritusi vai ir citādi bojāta.
- **A 7** Elektroierīču remontu drīkst veikt tikai speciālisti. Bojātu elektrības vadu drīkst remontēt/nomainīt tikai speciālists.
- Elektrības vads no kontaktlīdzes jāatvieno šādos gadījumos:
 - ikreiz pirms ierīces iztukšošanas,
 - ikreiz pirms tīrīšanas,
 - ikreiz pirms mitrinātāja sieta vai Ionic Silver Stick® nomainīšanas,
 - ikreiz pirms atsevišķu daļu montāžas/demontāžas,
 - ikreiz pirms augšdaļas nocelšanas,
 - ikreiz pirms pārvietošanas.
- **A 8** Pamatni ar elektroiekārtu un ventilatoru nemērciet ūdenī vai citos šķidrums jeb neskalojiet ar ūdeni vai citiem šķidrums.

Lai novērstu ievainojumus, ievērojiet šādus norādījumus:

- **A 9** Novietojiet ierīci tā, lai Jūs nepakļūtu aiz vada.
- Novietojiet ierīci tā, lai to nevarētu apgāzt.
- **A 10** Neiespiediet vadu durvīs vai starp citiem priekšmetiem.
- Nenosedziet vadu.

Lai novērstu materiālos zaudējumus, ievērojiet šādus norādījumus:

- **A 11** Nesēdieties uz ierīces un nelieciet uz tās priekšmetus.
- **A 12** Novietojiet ierīci uz līdzenas, sausas virsmas.
- Noteikti turiet brīvas ierīces gaisa ieplūdes un gaisa izplūdes atveres.
- Ierīces uzpildīšanai izmantojiet tikai tīrus traukus.
- Pārļiecinieties, lai lejkanna nebūtu piepildīta ar meslojumu vai tml. vielām.
- Nepievienojiet ierīcē vai ūdens tvertnē piedevas.
- Ūdens piedevas (piem., ēteriskās eļļas, smaržvielas, ūdens attīrīšanas līdzekļus) **nedrīkst** izmantot. Materiāls nav piemērots piedevu izmantošanai.
- Lietojiet ierīci tikai pilnībā saliktā un nevainojamā stāvoklī.

Tehniskie dati	
	Vērtība
Tīkla spriegums	230 V / 50 Hz
Jaudas patēriņš	20 W
Mitrināšanas jauda	līdz 220 g/h
Piemērota telpās ar izmēru	līdz 40 m ²
Tilpums	maks. 3,8 l min. 0,2 l
Izmēri GxPxA	320 x 320 x 400 mm
Pašmasa	3,8 kg
Darbības skaņas līmenis	< 25 dB(A)

Ierīces apraksts

Ierīce sastāv no šādām daļām:

- **B 1** Iepildes atvere
- **B 2** Augšdaļa ar iepildes atveri
- **B 3** Pludiņa bloks (B 16–19)
- **B 4** Ionic Silver Stick® (ISS)
- **B 5** Ūdens tvertne (B 5–7)
- **B 6** Uzpildes robeža
- **B 7** Tvertnes rokturi
- **B 8** Noteka
- **B 9** Ionic Silver Stick® (ISS) atgādinājuma atzīme
- **B 10** Elektrības vads/kontaktdakša
- **B 11** Pamatne (B 11–14)
- **B 12** Ventilators
- **B 13** Bīdāms slēdzis (B 20–21)
- **B 14** Jaudas datu plāksnīte (ierīces apakšpusē)

Pludiņa bloks sastāv no šādām daļām:

- **B 15** Pludiņa gals
- **B 16** Uzpildes līmeņa gredzens (maksimāli 3,8 l)
- **B 17** Mitrinātāja siets A7018
- **B 18** Pludiņa trauks
- **B 19** Pludiņa korpusa

Bīdāmais slēdzis sastāv no šādām daļām:

- **B 20** Bīdāms slēdzis
- **B 21** Darbības indikators

Darba režīmi

Ar bīdāmo slēdzi iespējams iestatīt šādus darba režīmus:

Pozīcija	Funkcija
0	Ierīce ir izslēgta
I	Ierīce darbojas nakts režīmā (bez skaņas) Darbības indikators mainās uz zaļu krāsu
II	Ierīce darbojas normālā darba režīmā (maksimālā mitrināšanas jauda) Darbības indikators deg zaļā krāsā

Darbības indikators

Ko līdz tiek ieslēgta ierīce, darbības indikators iedegas zaļā krāsā. Ja ūdens tvertni noceļ no pamatnes, zaļā kontrollampīna mainās uz sarkanu krāsu un ierīces darbība tiek pārtraukta, taču ierīce nav atvienota no strāvas. Tikai pēc ūdens tvertnes uzlikšanas atpakaļ uz pamatnes sarkanā kontrollampīna atkal mainās uz zaļu krāsu un ierīce turpina darboties.

Jaudas datu plāksnīte

B 14 Jaudas datu plāksnītē ir dota šāda informācija:

- Izstrādājuma nosaukums
- Tīkla spriegums
- Jaudas patēriņš
- Aizsardzības klase
- Sērijas numurs
- Ražošanas datums
- Atbilstības zīme

i Ilustrācijās parādītie dati jaudas datu plāksnītē kalpo tikai kā piemērs. Lūdzu, pārbaudiet datus Jūsu ierīces jaudas datu plāksnītē.

Darbības princips

Uzpildot ierīci, līdz ar ūdens līmeni paceļas pludiņslēdzis. Kad ūdens līmenis sasniedz uzpildes robežu, pludiņa gals noslēdz ierīces iepildes atveri. Mitrinātāja siets piesūcas ar ūdeni. Ventilators sauso telpas gaisu virza cauri mitrajam sietam un izvada to kā pietiekami mitrinātu gaisu. Pateicoties mērķtiecīgai gaisa plūsmas virzībai, ir iespējama gandrīz vienmērīga mitrināšana ar jebkādu ūdens līmeni. Līdz ar to ierīce rada optimālu gaisa mitrumu, neizmantojot papildu kontrolierīces.

Ionic Silver Stick® ūdens attīrīšanai

B 4 Speciāli pielāgotā antibakteriālā aizsargsistēma Ionic Silver Stick® (jonu sudraba stienis) novērš mikroorganismu un baktēriju rašanos ūdens tvertnes ūdenī. Tādēļ ūdens attīrīšanai nav nepieciešamas ķīmiskas piedevas. Ionic Silver Stick® ir pašregulējošs, tam nav nepieciešama apkope un tas ir lietojams vienu gadu.

Atgādinājuma atzīme

B 9 Ierīce standarta variantā ir aprīkota ar atgādinājuma atzīmi Ionic Silver Stick® nomaīņas vajadzībām. Lai Jūs vēlāk arvien vēl zinātu, kad sākat Ionic Silver Stick® lietošanu, lūdzu, ievelciet uz atzīmes krustiņu pie aktuālā mēneša un uz attiecīgās līnijas ierakstiet aktuālo gadu.

Ierīces izsaiņošana

i Piegādājot ierīce ir pilnībā salikta un jau aprīkota ar mitrinātāja sietu.

i Pludiņa korpusa ir pludiņa bloka daļa un tas nepieder pie iepakojuma.

UZMANĪBU

Savainošanās risks krītošu daļu rezultātā!

- ▶ Lai ierīci izsaiņotu un paceltu, satveriet to aiz pamatnes.

UZMANĪBU

Izņemot pludiņa korpusu, var rasties ierīces bojājumi!

- ▶ Izsaiņojot ierīci, neizņemiet pludiņa korpusu.

1. Atveriet iepakojumu.
2. **C 1** Noņemiet stiropora iepakojuma augšējo daļu.
3. **C 2** Satveriet ierīci aiz iepildes atveres un cieši turiet plastmasas maisiņa augšējo galu.
4. **C 3** Izvelciet plastmasas maisiņu kopā ar ierīci no iepakojuma. To darot, satveriet plastmasas maisiņu cieši un neatlaidiet, kamēr izņemat to no iepakojuma.
5. **C 5** Novietojiet plastmasas maisiņu ar ierīci uz grīdas un nobīdīet plastmasas maisiņu no ierīces uz leju.
6. **C 6** Satveriet ierīci aiz apakšējās daļas un izceliet ārā no plastmasas maisiņa.
↳ Noņemiet no ierīces visas iepakojuma daļas un plastmasas maisiņu.
7. **B 14** Pārbaudiet elektriskā pieslēguma datus jaudas datu plāksnītē.
8. **B** Pārbaudiet, vai ir visas ierīces daļas.

Ierīces ekspluatācijas sākšana

Ierīces novietošana

UZMANĪBU

Augstas temperatūras ietekmē pastāv plastmasas bojājumu risks!

- ▶ Nelietojiet ierīci temperatūrā > 50 °C.

Uzstādot ierīci, ievērojiet šādus norādījumus:

- **A 14** Sekojiet, lai ierīces apkopes un tīrīšanas vajadzībām tā būtu labi pieejama un ap to būtu pietiekami daudz vietas.
- Ierīci drīkst lietot tikai uzpildīt!

1. Novietojiet ierīci uz grīdas vai uz līdzenas, sausas virsmas telpā.
2. Uzpildiet ierīci (skatīt nodaļu "Ierīces uzpilde").

Ierīces uzpilde

Pastāv šādas iespējas, kā ierīci uzpildīt ar ūdeni:

- caur iepildes atveri augšdaļā vai
- uzreiz noņemtajā ūdens tvertnē no ūdens krāna.

✓ Ierīcē neatrodas svešķermeņi.

✓ **B** Ierīce ir pareizi salikta kopā.

i Pēc ilgākas dīkstāves ierīci vajadzētu iztukšot un iztīrīt. Pirms ekspluatācijas atsākšanas ierīce jāpiepilda ar tīru ūdeni. Citādi var rasties nepatīkami aromāti.

UZMANĪBU

Pievienojot ūdenim piedevas, var rasties plastmasas bojājumi un plaisas!

- ▶ Nepievienojiet ūdenim piedevas (piem., ēteriskās eļļas vai citas smarzvielas).
- ▶ Pārļiecinieties, lai pirms uzpildes ar trauku šajā traukā nebūtu ūdenī šķīstošu piedevu (piem., augu mēslojums).

UZMANĪBU

Pārpildes gadījumā rodas ūdens radīti bojājumi!

- ▶ Uzpildot nepārsniedziet ar uzpildes līmeņa līniju parādīto maksimālo uzpildes daudzumu 3,8 l.

Ierīces uzpilde caur iepildes atveri:

1. **D 1** Uzpildiet ierīci ar tīru trauku (piem., krūzi).
 2. **D 2** Izmantojot tīru trauku, ielejiet augšdaļas iepildes atverē tīru, aukstu ūdeni.
 3. **D 3** Beidziet ierīces uzpildi, kad pludiņa sarkanais uzpildes līmeņa gredzens parādās iepildes atverē.
- ↳ Ierīce ir uzpildīta ar ūdeni un to var ieslēgt.

Ierīces ūdens tvertnes uzpilde:

- ✓ **E 1** Ierīce ir izslēgta un ir atvienota kontaktdakša (skatīt nodaļu "Ierīces ieslēgšana/izslēgšana").
1. **E 2** Noceliet augšdaļu no pamatnes.
 2. **E 3** Noceliet ūdens tvertni ar visu pludiņa bloku, satverot aiz tvertnes rokturiem.
 3. **E 4** Iepildiet ūdens tvertni tīru, aukstu ūdeni.
 4. **E 4** Iepildiet ūdeni maksimāli tik ilgi, līdz sasniegta maksimālā uzpildes robeža ūdens tvertnes iekšpusē.
 5. Uzpildīto ūdens tvertni ar visu pludiņa bloku uzlieciet uz pamatnes.
 6. Uzlieciet augšdaļu uz pamatnes.
- ↳ Ierīce ir uzpildīta ar ūdeni un to var ieslēgt.

Ierīces ieslēgšana/izslēgšana

i Ja ierīci lieto ar tukšu ūdens tvertni jeb ūdens tvertne darbības laikā iztukšojas, izžūst mitrinātāja siets, vairs nenotiek iztvaikošana un var rasties nepatīkams aromāts.

✓ Ierīce ir piepildīta ar ūdeni.

1. Iespraudiet kontaktdakšu kontaktligzdā.
 2. Atkarībā no vajadzības pārslēdziet bīdāmo slēdzi pozīcijā I vai pozīcijā II (skatīt nodaļu "Darba režīmi").
- ↳ Ierīce ir ieslēgta.

1. Pārslēdziet bīdāmo slēdzi pozīcijā 0.

BRĪDINĀJUMS

Briesmas dzīvībai strāvas trieciena rezultātā!

- ▶ Nevelciet kontaktdakšu no kontaktligzdas ar slapjām rokām.

2. **E 1** Atvienojiet kontaktdakšu.

↳ Ierīce ir izslēgta un atvienota no strāvas.

Ierīces tīrīšana un apkope

Pieaugot darbības laikam, samazinās mitrinātāja sieta iesūkšanas un iztvaikošanas jauda. Tādēļ ierīces regulāra apkope un tīrīšana ir priekšnoteikums vienmērīgai un netraucētai darbībai.

UZMANĪBU

Plastmasas bojājumi, izmantojot nepiemērotus tīrīšanas līdzekļus!

- ▶ Neizmantojiet skābes saturošus tīrīšanas līdzekļus.

- ▶ Notīriet ierīci ar mitru lupatiņu.

Tīrīšanas un apkopes intervāli

Ieteicamie tīrīšanas un apkopes intervāli ir atkarīgi no gaisa un ūdens kvalitātes, kā arī no faktiskā darbības laika.

Intervāls	Darbība
1 reizi dienā	Ūdens līmeņa pārbaude, vajadzības gadījumā ūdens uzpilde (skatīt nodaļu "Ierīces uzpilde")
sākot no 1 nedēļu ilgas dīkstāves	Ierīces iztukšošana un tīrīšana (skatīt nodaļu "Ierīces izjaukšana un iztukšošana")
reizi 2 nedēļās	Ūdens tvertnes tīrīšana (skatīt nodaļu "Ūdens tvertnes tīrīšana")
reizi 10–12 nedēļās (vai pēc vajadzības)	Mitrinātāja sieta nomainīšana (skatīt nodaļu "Mitrinātāja sieta nomainīšana")
1–2 reizes gadā	Ventilatora tīrīšana (skatīt nodaļu "Ventilatora tīrīšana")
1 reizi gadā	Ionic Silver Stick® nomainīšana (skatīt nodaļu "Ionic Silver Stick® nomainīšana")

Ierīces izjaukšana un iztukšošana

Tīrīšanas vajadzībām ierīci ar dažām roku kustībām var izjaukt.

BRĪDINĀJUMS

Briesmas dzīvībai strāvas trieciena rezultātā!

- ▶ Nevelciet kontaktdakšu no kontaktligzdas ar slapjām rokām.

- ✓ **F 1** Ierīce ir izslēgta un ir atvienota kontaktdakša.

1. **F 3** Noceliet augšdaļu no pamatnes.
2. **F 4** Noņemiet ūdens tvertni ar visu pludiņa bloku aiz tam paredzētajiem tvertnes rokturiem.
3. **F 5** Izlejiet no ūdens tvertnes atlikušo ūdeni pa noteku.
4. **F 6** Izņemiet no tukšās ūdens tvertnes pludiņa bloku.

BRĪDINĀJUMS

Briesmas dzīvībai strāvas trieciena rezultātā!

- ▶ Neizlejiet ūdeni uz elektroiekārtas.

5. Ja pamatnē ir ūdens: iztukšojiet un izžāvējiet pamatni.

↳ Ierīce ir izjaukta un iztukšota.

Ūdens tvertnes tīrīšana

- ✓ Ierīce ir izjaukta un iztukšota

BRĪDINĀJUMS

Briesmas dzīvībai strāvas trieciena rezultātā!

- ▶ Pirms tīrīšanas atvienojiet kontaktdakšu.
- ▶ Nekad nemērciet pamatni ar elektroiekārtu un ventilatoru ūdenī.

1. **G 1** Izmazgājiet ūdens tvertni ar remdenu ūdeni.
2. **G 2** Kārtīgākai tīrīšanai izberziet ūdens tvertni ar tīrniecībā pieejamu suku.
3. Lai atkalķotu ūdens tvertni, izmantojiet ieteikto atkalķošanas līdzekli (skatīt nodaļu "Rezerves daļas un piederumi").
4. Pēc tīrīšanas daļas nožāvējiet.
5. Ievietojiet pludiņa bloku pareizi ūdens tvertnē.
6. Salieciet ierīci (skatīt nodaļu "Ierīces salikšana").

Ventilatora tīrīšana

- ✓ Ierīce ir izjaukta un iztukšota.

1. **G 3** Notīriet ventilatoru ar neredz samitrinātu lupatiņu vai putekļu lupatu.
2. Pēc tīrīšanas daļas nožāvējiet.
3. Salieciet ierīci (skatīt nodaļu "Ierīces salikšana").

Mitrinātāja sieta nomainīšana

Lielas netīrības, apkalpošanās, nepatīkamu aromātu veidošanās, samazinātas iesūkšanas jaudas utt. gadījumā ir jānomaina mitrinātāja siets. Mitrinātāju sietus varat iegādāties pie specializētā tirgotāja, kur iegādājāties ierīci.

- ✓ Ierīce ir izjaukta un iztukšota.

i Izmantojiet tikai ražotāja oriģinālos mitrinātāju sietus (skatīt nodaļu "Rezerves daļas un piederumi").

UZMANĪBU

Mitra mitrinātāja sieta bojājumi tā mazgāšanas vai izgriešanas rezultātā!

- ▶ Mitrinātāja sietu nedrīkst mazgāt un izgriezt.

1. **H 1** Lai atvērtu pludiņa bloku, pagrieziet pludiņa galu pretēji pulksteņrādītāja virzienam (bultiņa OPEN) un noceliet virzienā uz augšu.
2. **H 2** Izvelciet nolietoto mitrinātāja sietu no pludiņa trauka un utilizējiet.

UZMANĪBU

Izņemot pludiņa korpusu, var rasties ierīces bojājumi!

- ▶ Izsaiņojot ierīci, neizņemiet pludiņa korpusu.

3. **H 3** Uzlieciet jaunu mitrinātāja sietu uz pludiņa trauka.

4. **H 4** Lai noslēgtu pludiņa bloku, uzlieciet pludiņa galu uz pludiņa trauka un mitrinātāja sieta, paspiediet uz leju un aizgrieziet pulksteņrādītāja virzienā (bultiņa CLOSE).
5. Lai pārbaudītu, pavelciet pludiņa galu nedaudz uz augšu. Pludiņa gals nedrīkst pacelties no pludiņa trauka.
6. Vajadzības gadījumā pagrieziet pludiņa galu vēlreiz un atkal pārbaudiet.
7. Ievietojiet pludiņa bloku pareizi ūdens tvertnē.
8. Salieciet ierīci (skatīt nodaļu "Ierīces salikšana").

Ionic Silver Stick® nomaiņa

✓ Ierīce ir izjaukta un iztukšota.

1. Izņemiet Ionic Silver Stick® no ūdens tvertnes pamatnes un utilizējiet.
2. Ievietojiet jauno Ionic Silver Stick® turētājā ūdens tvertnes pamatnē.
3. Ievietojiet pludiņa bloku pareizi ūdens tvertnē.
4. Salieciet ierīci (skatīt nodaļu "Ierīces salikšana").

Ierīces salikšana

✓ Ierīce ir izjaukta un iztukšota.

1. Ievietojiet pludiņa bloku pareizi ūdens tvertnē.
 2. **B 5** Ievietojiet ūdens tvertni ar visu pludiņa bloku aiz tvertnes rokturiem pamatnē.
 3. Uzlieciet augšdaļu uz pamatnes.
 4. **B** Pārliedzieties, ka ierīce ir salikta pareizi.
 5. Pārliedzieties, ka ierīcē nav svešķermeņu.
- ↳ Ierīce ir salikta.

Ierīces pārvietošana



UZMANĪBU

Savainošanās risks krītošu daļu rezultātā!

- Lai ierīci izsaiņotu un paceltu, satveriet to aiz pamatnes.

UZMANĪBU

Ūdens radīti bojājumi ūdens šļakstīšanās rezultātā!

- Ierīci pirms pārvietošanas iztukšojiet.

1. Iztukšojiet ierīci (skatīt nodaļu "Ierīces izjaukšana un iztukšošana").
2. Izžāvējiet ierīci.
3. Paceliet ierīci aiz pamatnes un aiznesiet to uz vajadzīgo vietu.

Ierīces uzglabāšana

1. Izlīdēt ierīci (skatīt nodaļu "Ierīces tīrīšana un apkope").
2. Izžāvējiet ierīci.
3. Ierīci ieteicams iesaiņot oriģinālajā iepakojumā.
4. Uzglabājiet ierīci sausā, vēsā vietā.

Ierīces utilizācija

Nolietoto ierīci nododiet specializētajam tirgotājam, lai tas veiktu pareizu utilizāciju. Utilizējot ievērojiet spēkā esošos nacionālos noteikumus. Citas utilizācijas iespējas uzzināsi Jūsu pagastā vai pašvaldībā.

Rezerves daļas un piederumi

Rezerves daļas un piederumus Jūs varat iegādāties pie specializētā tirgotāja un to nomaļu varat veikt saviem spēkiem. Drīkst izmantot tikai ražotāja oriģinālās daļas. Remontu drīkst veikt tikai speciālisti. Tas attiecas arī uz bojātu elektrības vadu.

Piederumi	Apzīmējums
Mitrinātāja siets	A7018
Ionic Silver Stick®	A7017
Atkaļķošanas līdzeklis	A7417

Visbiežāk uzdotie jautājumi

J. Kādēļ manā istabā ir pārāk zems gaisa mitrums?

- A. Cik bieži Jūs izmantojat ierīci? Ja ierīce darbojas tikai naktī, pa dienu gaisa mitrums samazinās, jo nenotiek nepārtraukta mitruma izvadīšana gaisā.
- A. Koks, āda, paklāji, aizkari un citi materiāli uzņem lielu daudzumu mitruma, kā rezultātā gaisa mitrums telpā samazinās. Ja ir atvērts logs, mitrums var izplūst no istabas. Biežs iemesls ir tas, ka ierīce tiek novietota blakus apsildes ierīcei, lai mitrums telpā ātri izplatītos kopā ar silto gaisu. Taču tas nenotiek. Izplūdušais siltais gais uz sūc lielāko daļu mitruma, pirms tas vispār sasniedz telpas gaisu.

J. Vai ierīces darbības laikā durvis turēt atvērtas vai aizvērtas?

- A. Ja durvis ir atvērtas, mitrums izplūst no telpas un līdz ar to izplatās arī citās mājas daļās. Ja vēlaties palielināt gaisa mitrumu konkrētā telpā, ievērojiet, lai ierīces darbības laikā šīs telpas durvis būtu aizvērtas.

J. Cik lielam jābūt gaisa mitrumam manā istabā?

- A. Ieteicamais gaisa mitrums ir 40–60 %.

J. Kādas ir pārāk zema vai pārāk augsta gaisa mitruma sekas?

- A. Sausais gais var izraisīt sausu ādu, elektrostatisko uzlādi, mūzikas instrumentu noskaņošanas, palielinātu putekļu veidošanos, koka priekšmetu bojājumus (izžūšana un plaisas), sliktu pašsajūtu, slimības un deguna gļotādas izžūšanu. Pārāk liels gaisa mitrums var izraisīt pelējuma sēnīšu veidošanos un tīklu atīmēšanu.

J. Kādēļ man nepieciešams gaisa mitrinātājs, ja es vienkārši varu atvērt logu

- A. Āra gaisa mitrums nav pietiekams, lai mitrinātu telpu.

J. Kur man uzstādīt gaisa mitrinātāju?

- A. Lai gaiss ap ierīci varētu brīvi cirkulēt, ierīcei jāstāv brīvi un nevis pie sienas, pie loga, pie durvīm vai pie aukstuma tilta.

J. Vai tas ir slikti, ja ierīce darbojas sausa?

- A. Ja pastāv tukšgaitas iespēja, piem., nav iespējams uzpildīt ūdeni, pirms izešanas no telpas ierīci izslēdziet. Bez ūdens ierīce nevar mitrināt gaisu un tā rezultātā var veidoties nepatīkams aromāts.

J. Vai ierīci var lietot visa gada garumā?

- A. Jā, ierīci var lietot visu gadu. Ierīce rada gaisa mitrumu, līdz telpas gaiss ir piesātināts. Līdz ar to ierīce nevar radīt "pārāk mitru" gaisu.

J. Vai ūdens tvertni drīkst mazgāt trauku mazgājamā mašīnā?

- A. Nē, ūdens tvertni nedrīkst mazgāt trauku mazgājamā mašīnā, jo tā sakūst.

Vispārēja informācija par gaisa mitrināšanu

Vai Jūs zinājāt, ka pārāk sauss telpas gaiss

- sausina gļotādu, kā arī izraisa sasprēgājušas lūpas un acu graušanu?
- veicina elpošanas ceļu infekcijas un saslimšanas?
- izraisa slābanumu, nogurumu un koncentrēšanās grūtības?
- nomāc mājdzīvniekus un telpaugus?
- veicina putekļu veidošanos un sintētiskās šķiedras tekstilizstrādājumu, paklāju un sintētisko grīdu elektrostatisko uzlādi?
- bojā iekārtojuma koka priekšmetus un jo īpaši parketa grīdas?
- noskaņo mūzikas instrumentus?

Cilvēka un dzīvnieka organisma labsajūta ir atkarīga no dažādiem ietekmes faktoriem. Viens no tiem ir pareizi mitrināts telpas gaiss. Apkures sezonas laikā tiek uzsildīts aukstais āra gaiss, kurš caur logiem ieplūst dzīvojamās telpās. Tā rezultātā lielā mērā samazinās relatīvais gaisa mitrums. Augiem un dzīvniekiem tas ir nelabvēlīgs klimats, koka priekšmeti un mēbeles izžūst un cilvēki nejūtas labi un pastiprināti cieš no saaukstēšanās slimībām. Parasti telpas klimats ir patīkams tad, ja relatīvais mitrums ir starp 40 un 60 %. Īpaši būtiska gaisa mitrināšanai ir ziemā.

Traucējumu novēršana

i Elektroierīču remontu drīkst veikt tikai speciālisti. Nepareizs remonts var radīt ievērojamu risku lietotājam un tā rezultātā zūd garantijas prasības.

BRĪDINĀJUMS

Briesmas dzīvībai strāvas trieciena rezultātā!

- ▶ Neveiciet elektrisko daļu remontu.

Traucējums	Iemesls	Risinājums
Ierīce nedarbojas.	Nav pieslēgta kontaktdakša.	▶ Pieslēdziet kontaktdakšu un ieslēdziet ierīci.
	Saliekot nav ievietota ūdens tvertne.	▶ Ievietojiet ūdens tvertni (skatīt nodaļu "Ierīces salikšana").
Strīķēšanās trokšņi	Nepareizi ievietota ūdens tvertne.	▶ Ievietojiet ūdens tvertni pareizi (skatīt nodaļu "Ierīces salikšana").
Nenotiek gaisa mitrināšana	Ūdens tvertnē nav ūdens.	▶ Uzpildiet ūdens tvertni (skatīt nodaļu "Ierīces uzpilde").
	Apkalpojamais mitrinātāja siets.	▶ Nomainiet mitrinātāja sietu (skatīt nodaļu "Mitrinātāja sieta nomainīšana").
Uzpildot nav redzams pludiņa gals ar uzpildes līmeņa gredzenu.	Saliekot ir aizmirsts ielikt kādu ierīces daļu.	▶ Atvienojiet kontaktdakšu. ▶ Pārbaudiet, vai ierīce ir pareizi salikta (B attēls).
	Nepareizi salikta ierīce.	
Ierīcei ir ūdens noplūde.	Ierīce ir pārpildīta.	▶ Izlejiet ūdeni (skatīt nodaļu "Ierīces izjaukšana"). ▶ Izžāvējiet ierīci. Saslaukiet izlijušo ūdeni.
	Saliekot ir aizmirsts ielikt kādu ierīces daļu.	▶ Atvienojiet kontaktdakšu. ▶ Pārbaudiet, vai ierīce ir pareizi salikta (B attēls).
	Nepareizi salikta ierīce.	
Ierīce rada nepatīkamu aromātu	Ierīce darbojas neuzpildīta.	▶ Uzpildiet ierīci (skatīt nodaļu "Ierīces uzpilde").
	Netīrs mitrinātāja siets.	▶ Nomainiet mitrinātāja sietu (skatīt nodaļu "Mitrinātāja sieta nomainīšana").

Naudojimo instrukcija

Lietuvių kalba

Puslapis Skyrius

50	Apie šį dokumentą
50	Saugumo nuorodos
51	Techniniai duomenys
51	Įrengimo aprašymas
51	Funkcijos principas
51	Įrengimą išpakuoti
51	Įrengimą paleisti
52	Įrengimą įjungti/išjungti
52	Įrengimą valyti ir atlikti techninę priežiūrą
53	Įrengimą transportuoti
53	Įrengimą sanėliuoti
53	Įrengimą utliuoti
53	Atsarginės dalys ir priedai
53	Dažni klausimai
54	Bendroji informacija apie oro drėkinimą
54	Gedimus pašalinti

Apie šį dokumentą

Ši naudojimo instrukcija yra produkto dalis ir aprašo jo saugų naudojimą. Ši naudojimo instrukcija galioja tik čia aprašomam produktui.

- Prieš pradėdami naudoti, perskaitykite visą naudojimo instrukciją.
- Naudojimo instrukciją saugoti per visą produkto eksploatacijos laiką.
- Naudojimo instrukciją perduoti kitam produkto savininkui, dar kitam savininkui ir naudotojui bei pridėti iš gamintojo gautus papildymus.
- Dėl žalos, atsiradusios dėl šios naudojimo instrukcijos nesilaikymo, gamintojas atmeta bet kokią atsakomybę.

Naudojimas pagal paskirtį

Įrengimas naudojamas tik gyvenamųjų patalpų iki 120 m³ oro drėkinimui. Didesnėse patalpose optimalus oro drėgnumas (50 % santykinis oro drėgnumas) gali būti nepasiekiamas. Įrengimo negalima naudoti kitiems tikslams. Įrengimą negalima įstatyti pašalinių objektų. Įrengimą naudoti tik šioje naudojimo instrukcijoje aprašytiems tikslams.

Garantija

Garantinius potvarkius nustatė mūsų šalių atstovybė. Kreipkitės į savo pardavėją, jei įrengimas turi defektą. Garantinių darbų vykdymui būtina pateikti pirkimo sąskaitą.

CE atitiktis ir galiojančios direktyvos

Įrengimas turi CE atitiktį ir atitinka tokias direktyvas:

- 2006/95/EB dėl elektrotechnikos saugumo
- 2004/108/EB dėl elektromagnetinio suderinamumo
- 2002/95/EB dėl tam tikrų pavojingų medžiagų naudojimo elektros ir elektroninėje įrangoje apribojimo
- 2002/96/EB dėl elektros ir elektroninės įrangos atliekų

Nuorodos ir atžymos šiame dokumente



Šiame dokumente pateikiamos įspėjamosios nuorodos, kad būtų išvengta sužeidimų arba materialinių nuostolių. Jos išdėstytos taip:

⚠ ĮSPĖJIMO PAKOPA

Pavojaus priežastis ir pasekmė

- ▶ Priemonė išvengti pavojaus

Tokios įspėjimo pakopos:

Įspėjimo pakopa	Aprašymas
 ĮSPĖJIMAS	Galimas gresiantis pavojus. Nesilaikant gresia mirtis arba labai sunkūs sužalojimai.
 ATSARGIAI	Pavojinga situacija. Nesilaikant gali būti sukelti nedideli sužeidimai.
ATSARGIAI	Kritinė situacija. Nesilaikant gali atsirasti materialinių nuostolių.

Šiame dokumente naudojami tokie simboliai, kad būtų galima greitai gauti informaciją:

Simbolis	Aprašymas
✓	Sąlyga, kuri turi būti išpildyta prieš atliekant veiksmą.
▶	Vieno arba kelių etapų veiksmas, kurių eiliškumas nesvarbus.
1. 2.	Kelių etapų veiksmas, kurių eiliškumas svarbus.
•	Pirmo lygmens pateikimas
-	Antro lygmens pateikimas
↪	Vieno arba kelių veiksmų rezultatas
(žiūr. j...)	Nuoroda į skyrių arba į paveikslėlį
i	Svarbi informacija
A 1	Nuoroda į pozicijos numerį paveikslėlyje, pvz. pozicijos numeris 1 A grafike

Saugumo nuorodos

- Prieš naudojant įrengimą, perskaityti šią naudojimo instrukciją ir ją laikyti saugioje vietoje.
- Asmenims, nesusipažinusiems su naudojimo instrukcija, vaikams bei asmenims, naudojančioms vaistus, alkoholį arba narkotikus, draudžiama naudoti šį įrengimą.
- Įrengimą galima naudoti tik pagal numatytą paskirtį ir techninės specifikacijos duomenų ribose. Naudojimas ne pagal paskirtį gali pakenkti sveikatai ir gyvybei.
- **A 1** Vaikai, naudodami elektrinius prietaisus, gali nepastebėti pavojaus. Todėl vaikus būtina visada prižiūrėti, jei jie yra netoli įrengimo.
- Įrengimo nenaudoti patalpose, kuriose yra lengvai užsidegantys objektai, dujos arba garai.
- Įrengimo negalima pakeisti ir jį įstatyti pašalinių objektų.

Naudojant elektrą, kyla pavojus gyvybei dėl elektros smūgio. Norint to išvengti, atkreipti dėmesį į tokias nuorodas:

- Įrengimo nenaudoti patalpose, kuriose santykinis oro drėgnumas > 70 %.
- Nenaudojant ištraukti tinklo šakutę.
- **A 2** Niekada netraukti tinklo šakutės iš elektros lizdo, ją laikant už laido.
- **A 3** Niekada netraukti tinko šakutės iš elektros lizdo arba jos nekišti į elektros lizdą šlapiomis rankomis.
- **A 4** Įrengimą prijungti tik prie kintamosios srovės.
- **B 14** Įrengimą naudoti tik tokia įtampa, kuri nurodyta įrengimo tipo lentelėje.
- Įrengimo **negalima** naudoti:
 - **A 5** jei pažeistas laidas arba tinklo šakutė.
 - po neteisingos funkcijos.
 - **A 6** jei jis nukrito arba buvo pažeistas kitu būdu.
 - **A 7** Elektrinių prietaisų remontą gali atlikti tik specialistai. Pažeistą tinklo laidą gali remontuoti/pakeisti tik specialistas.
- Tokiais atvejais tinklo šakutę ištraukti iš elektros lizdo:
 - kiekvieną kartą prieš ištuštinant įrengimą,
 - prieš kiekvieną valymą,
 - prieš kiekvieną kartą keičiant garintuvo filtrą arba Ionic Silver Stick[®],
 - prieš kiekvieną atskirų dalių montavimą/išmontavimą,
 - prieš kiekvieną kartą keliant viršutinę dalį,
 - kiekvieną kartą perstatant į kitą vietą.
- **A 8** Apatinės dalies su elektriniais mazgais ir ventiliatoriaus niekada nenardinti į vandenį ar į kitus skysčius, neplauti vandeniu ar kitais skysčiais.

Norint išvengti sužeidimų, atkreipti dėmesį į tokias nuorodas:

- **A 9** Įrengimą statykite taip, kad Jūs neužkliūtumėte už laido.
- Įrengimą statykite taip, kad jo nebūtų galima apversti.
- **A 10** Laido nepriverti durimis arba kitais objektais.
- Laido neuždengti.

Norint išvengti materialinių nuostolių, atkreipti dėmesį į tokias nuorodas:

- **A 11** Nesisėsti ant įrengimo ir ant jo nedėti jokių objektų.
- **A 12** Įrengimą statyti tik ant lygaus, sauso paviršiaus.
- Įrengimo oro įėjimo ir oro išėjimo angos turi būti laisvos.
- Įrengimo pripildymui naudoti tik švarias talpas.
- Įsitikinti, kad laistytuvas nebūtų pripildomas trąšomis arba kitomis panašiomis medžiagomis.
- Įrengimo arba vandens vonelės nepripildyti jokiais priedais.
- Vandens priedų (pvz. eterinių aliejų, kvapiųjų medžiagų, vandens gryninimo priemonių) **negalima** naudoti. Medžiaga netinka priedų naudojimui.
- Įrengimą naudoti tik pilnai sukomplektuotą ir nepriekaištingos būklės.

Techniniai duomenys

	Vertė
Tinklo įtampa	230 V / 50 Hz
Galingumo pajėgumas	20 W
Drėkinimo pajėgumas	iki 220 g/h
Tinka patalpoms, kurių dydis	iki 40 m ²
Talpumas	daugiausiai 3,8 l mažiausiai 0,2 l
Išmatavimai l x P x A	320 x 320 x 400 mm
Tuščio įrengimo svoris	3,8 kg
Darbinio garso stiprumas	< 25 dB(A)

Įrengimo aprašymas

Įrengimą sudaro tokios dalys:

- **B 1** Pripildymo anga
- **B 2** Viršutinė dalis su pripildymo anga
- **B 3** Plūdės komplektas (B 16–19)
- **B 4** Ionic Silver Stick® (ISS)
- **B 5** Vandens vonelė (B 5–7)
- **B 6** Pripildymo riba
- **B 7** Vonelės rankenos
- **B 8** Kriauklė
- **B 9** Ionic Silver Stick® (ISS) priminimo žymė
- **B 10** Tinklo laidas/tinklo šakutė
- **B 11** Apatinė dalis (B 11–14)
- **B 12** Ventilatorius
- **B 13** Stumiamas jungiklis (B 20–21)
- **B 14** Galingumo lentelė (apatinėje įrengimo pusėje)

Plūdės komplektą sudaro tokios dalys:

- **B 15** Plūdės smaigalys
- **B 16** Pripildymo lygio žiedas (daugiausia 3,8 l)
- **B 17** Garintuvo filtras A7018
- **B 18** Plūdės krepšys
- **B 19** Plūdės korpusas

Stumiamą jungiklį sudaro tokios dalys:

- **B 20** Stumiamas jungiklis
- **B 21** Rėžimo signalas

Veikimo režimai

Stumiamu jungikliu galima nustatyti tokius veikimo režimus:

Pozicija	Funkcija
0	Įrengimas išjungtas.
I	Įrengimas dirba naktiniu režimu (tyliai) Rėžimo signalas užsidega žalia spalva
II	Įrengimas dirba normaliu režimu (maksimalus drėkinimo pajėgumas) Rėžimo signalas žalias

Rėžimo signalas

Tik įjungus įrengimą, rėžimo signalas žalias. Jei nuo apatinės dalies pakeliama vandens vonelė, tai žalios šviesos signalas pasikeičia į raudoną signalą ir įrengimo darbas nutraukiamas, bet įrengimu dar teka srovė. Tik vėl uždedėjus vandens vonelę ant apatinės dalies, raudonas signalas vėl užsidega žalia spalva, ir įrengimas tęsia darbą.

Galingumo lentelė

B 14 Galingumo lentelėje pateikiama tokia informacija:

- Produkto pavadinimas
- Tinklo įtampa
- Galingumo pajėgumas
- Apsaugos klasė
- Gamybinis numeris
- Gamybos data
- Atitikties ženklas

i Duomenys galingumo lentelėje, kuri pateikta iliustracijose, yra tik pavyzdžiai. Patikrinkite duomenis savo įrengimo galingumo lentelėje.

Funkcijos principas

Įrengimą pildant, plūdės jungiklis kyla kartu su vandens lygiu. Kai vandens lygis pasiekia pripildymo ribą, plūdės smaigalys uždaro įrengimo pripildymo angą. Garintuvo filtras prisisiurbia vandens. Ventilatorius sausą patalpos orą stumia per drėgną filtrą ir išpučia pakankamai sudrėkintą orą. Tikslingai nukreipiant oro srovę galima pasiekti beveik pastovų drėkinimą, esant bet kokiam vandens lygiui. Todėl įrengimas sukurią optimalų oro drėgnumą be papildomų valdymo įrengimų.

Ionic Silver Stick® vandens grynumo išlaikymui

B 4 Specialiai suderinta antibakterinė apsaugos sistema Silver Stick® sterilizuoja ir neleidžia susidaryti bakterijoms vandens vonelėje. Todėl vandens grynumo išlaikymui nebūtinos papildomos cheminės medžiagos. Ionic Silver Stick® pats atsinaujina, jo nereikia priežiūrėti ir gali būti naudojamas vienus metus.

Priminimo žymė

B 9 Standartinis įrengimas turi priminimo žymę Ionic Silver Stick® pakeitimui. Tam, kad Jūs vėliau žinotumėte, kada pradėjote naudoti Ionic Silver Stick®, pažymėkite kryželiu žymėje aktualų mėnesį ir užrašykite aktualius metus tam tikslui skirtoje linijoje.

Įrengimą išpakuoti

i Pristatant įrengimas yra pilnai sumontuotas ir jau turi garintuvo filtrą.

i Plūdės korpusas yra plūdės komplekto dalis ir nepriklauso pakuotei.

⚠️ ATSARGIAI

Pavojus susižeisti dėl krentančių dalių!

- ▶ Išpakuodami ir keldami įrengimą jį visada imkite už apatinės dalies.

ATSARGIAI

Įrengimo defektai dėl plūdės korpuso išėmimo!

- ▶ Išpakuojant neišimti plūdės korpuso.

1. Pakuotę atidaryti.
 2. **C 1** Nuimti viršutinę stiroporo pakuotės dalį.
 3. **C 2** Įmesti už įrengimo pripildymo angos ir virtai laikyti už viršutinio plastmasinio maišelio galo.
 4. **C 3** Plastmasinį maišelį su įrengimu atsargiai traukti iš pakuotės. Tvirtai paimti už plastmasinio maišelio ir išimant iš pakuotės jo nepaleisti.
 5. **C 5** Plastmasinį maišelį su įrengimu pastatyti ant grindų ir plastmasinį maišelį nuo įrengimo traukti žemyn.
 6. **C 6** Įrengimą paimti už apatinės dalies ir iš plastmasinio maišelio kelti į viršų.
- ↳ Visos pakuotės sudedamosios dalys bei plastmasinis maišelis yra nuimti nuo įrengimo.
7. **B 14** Duomenis apie prijungimą prie tinklo patikrinti galingumo lentelėje.
 8. **B** Patikrinti, ar įrengimas turi visas dalis.

Įrengimą paleisti

Įrengimą pastatyti

ATSARGIAI

Plastmasės defektai dėl aukštos temperatūros!

- ▶ Įrengimo nelaikyti aukštesnėje nei > 50 °C temperatūroje.

Statant įrengimą, atkreipti dėmesį į tokius nuorodas:

- **A 14** Atkreipti dėmesį į tai, kad įrengimo techninei priežiūrai ir valymui prie jo būtų galima prieiti bei būtų pakankamai vietos.
- Įrengimą naudoti tik pripildytą!

1. Įrengimą statyti ant grindų arba ant lygaus, sauso paviršiaus patalpoje.
2. Įrengimą pripildyti (žiūr. į skyrių "Įrengimą pripildyti").

Įrengimą pripildyti

Tokios galimybės įrengimo pripildymui vandeniu:

- per viršutinės dalies pripildymo angą arba
- teisiai į išimtą vandens vonelę iš vandens čiaupo.

✓ Įrengime nėra pašalinių objektų

✓ **B** Įrengimas tinkamai surinktas.

i Po ilgesnio nenaudojimo įrengimą reikėtų ištuštinti ir išvalyti. Prieš vėl pradėdant naudoti įrengimą, jį pripildyti švariu vandeniu. Kitu atveju, gali atsirasti nemalonūs kvapas.

ATSARGIAI

Defektai ir įtrūkimai plastmasėje dėl priedų vandenyje!

- ▶ Į vandenį nepilti jokių priedų (pvz. eterinių aliejų arba kitų kvapiųjų medžiagų).
- ▶ Įsitikinti, kad šioje talpoje, prieš pripildymą naudojant talpą, vandenyje nėra tirpstančių priedų (pvz. augalų trąšų).

ATSARGIAI

Vandens perteklius dėl perpildymo!

- ▶ Pripildant neperžengti pildymo linijoje nurodyto didžiausio 3,8 l pildymo kiekio.

Įrengimą pripildyti per pripildymo angą:

1. **D 1** Įrengimą pripildyti švaria talpa (pvz. ąsočiu).
 2. **D 2** Per pripildymo angą švaria talpa pilti švarų, šaltą vandenį.
 3. **D 3** Įrengimo pripildymą sustabdyti, kai tik pasirodys raudonas plūdės pripildymo lygio žiedas pripildymo angoje.
- ↳ Įrengimas pripildytas vandeniu ir gali būti įjungtas.

Įrengimą pripildyti per vandens vonelę:

- ✓ **E 1** Įrengimas išjungtas ir tinklo šakutė ištraukta (žiūr. į skyrių "Įrengimą įjungti/išjungti").
1. **E 2** Viršutinę dalį pakelti nuo apatinės dalies.
 2. **E 3** Vandens vonelę kartu su plūdės komplektu pakelti už vonelės rankenų.
 3. **E 4** Švarų, šaltą vandenį pilti tiesiai į vonelę.
 4. **E 4** Tol ilgiausiai taip pilti vandenį, kol bus pasiekta didžiausia pripildymo riba vidinėje vandens vonelės pusėje.
 5. Pripildytą vandens vonelę, kartu su plūdės komplektu, uždėti ant apatinės dalies.
 6. Viršutinę dalį uždėti ant apatinės dalies.
- ↳ Įrengimas pripildytas vandeniu ir gali būti įjungtas.

Įrengimą įjungti/išjungti

i Jei įrengimas paleidžiamas su tuščia vonele arba jei vonelė darbo metu ištuštėja, tai išdžiūs garintuvo filtras, nebebus sukuriamas drėkinimas ir gali atsirasti blogas kvapas.

- ✓ Įrengimas pripildytas vandeniu.
1. Tinklo šakutę įkišti į elektros lizdą.
 2. Priklausomai nuo poreikio, stumiamą jungiklį nustatyti ant I pozicijos arba II pozicijos (žiūr. į skyrių "Veikimo režimai").
- ↳ Įrengimas įjungtas.

1. Stumiamą jungiklį nustatyti ant 0 pozicijos.

⚠️ ĮSPĖJIMAS

Pavojus gyvybei dėl elektros smūgio!

- ▶ Šakutės iš elektros lizdo netraukti drėgnomis rankomis.

2. **E 1** Ištraukti tinklo šakutę.

↳ Įrengimas išjungtas ir be srovės.

Įrengimą valyti ir atlikti techninę priežiūrą

Dažniau naudojant, sumažėja garintuvo filtro siurbimo ir garinimo našumas. Todėl reguliari įrengimo techninė priežiūra ir valymas yra viena iš sąlygų nepriekaištingam ir nepertraukiamam darbui.

ATSARGIAI

Plastmasės pažeidimas dėl netinkamų valymo priemonių!

- ▶ Nenaudoti rūgštinių valymo priemonių.

- ▶ Įrengimą valyti drėgna šluoste.

Valymo ir techninės priežiūros intervalai

Rekomenduojami valymo ir techninės priežiūros intervalai priklauso nuo oro ir vandens kokybės bei faktinio naudojimo trukmės.

Intervalas	Darbas
1 kartą per dieną	Patikrinti vandens lygį, esant reikalui, papildyti vandens (žiūr. į skyrių "Įrengimą pripildyti")
daugiau nei 1 savaitę nedirbus	Įrengimą ištuštinti ir valyti (žiūr. į skyrių "Įrengimą išardyti ir ištuštinti")
kas 2 savaites	valyti vandens vonelę (žiūr. į skyrių "Vandens vonelę valyti")
kas 10–12 savaičių (arba pagal poreikį)	Garintuvo filtrą pakeisti (žiūr. į skyrių "Garintuvo filtrą pakeisti")
1–2 kartus per metus	Ventiliatorių valyti (žiūr. į skyrių "Ventiliatorių valyti")
1 kartą per metus	Ionic Silver Stick® pakeisti (žiūr. į skyrių "Ionic Silver Stick® pakeisti")

Įrengimą išardyti ir ištuštinti

Įrengimą valymui galima išardyti labai greitai.

⚠️ ĮSPĖJIMAS

Pavojus gyvybei dėl elektros smūgio!

- ▶ Šakutės iš elektros lizdo netraukti drėgnomis rankomis.

- ✓ **F 1** Įrengimas išjungtas ir tinklo šakutė ištraukta

1. **F 3** Viršutinę dalį pakelti nuo apatinės dalies.
2. **F 4** Vandens vonelę su plūdės komplektu išimti naudojant tam tikslui skirtas vonelės rankenas.
3. **F 5** Likusį vandenį iš vandens vonelės išpilti per kriauklę.
4. **F 6** Plūdės komplektą išimti iš tuščios vandens vonelės.

⚠️ ĮSPĖJIMAS

Pavojus gyvybei dėl elektros smūgio!

- ▶ Vandens nepilti per elektrinius mazgus.

5. Jei apatinėje dalyje yra vandens: apatinę dalį ištuštinti ir išdžiovinti.

↳ Įrengimas išardytas ir ištuštintas.

Vandens vonelę valyti

- ✓ Įrengimas išardytas ir ištuštintas

⚠️ ĮSPĖJIMAS

Pavojus gyvybei dėl elektros smūgio!

- ▶ Prieš valant ištraukti tinklo šakutę.
- ▶ Niekada apatinės dalies su elektriniais mazgais ir ventiliatoriaus nenardinti į vandenį.

1. **G 1** Vandens vonelę išplauti drungnu vandeniu.
2. **G 2** Norint gerai išvalyti vandens vonelę, naudoti paruoštą šepetėliu.
3. Vandens vonelės nukalkinimui naudoti rekomenduotą nukalkinimo priemonę (žiūr. į skyrių "Atsarginės dalys ir priedai").
4. Po valymo dalis išdžiovinti.
5. Tinkamai įstatyti plūdės komplektą į tuščią vandens vonelę.
6. Įrengimą surinkti (žiūr. į skyrių "Įrengimą surinkti").

Ventiliatorių valyti

- ✓ Įrengimas išardytas ir ištuštintas.

1. **G 3** Ventiliatorių nuvalyti lengvai sudrėkinta šluoste arba skudurėliu.
2. Po valymo dalis išdžiovinti.
3. Įrengimą surinkti (žiūr. į skyrių "Įrengimą surinkti").

Garintuvo filtrą pakeisti

Esant dideliems nešvarumams, kalkių apnašoms, nemaloniam kvapui, sumažėjus siurbimo našumui ir t.t., reikia pakeisti garintuvo filtrą. Garintuvo filtrus galite įsigyti pas pardavėją, iš kurio pirkote įrengimą.

- ✓ Įrengimas išardytas ir ištuštintas.

i Naudoti tik originalius garintuvo filtrus (žiūr. į skyrių "Atsarginės dalys ir priedai").

ATSARGIAI

Drėgno garintuvo filtro pažeidimas plaunant arba gręžiant!

- ▶ Garintuvo filtro neplauti ir negręžti.

1. **H 1** Plūdės komplekto atidarymui prieš laikrodžio rodyklę sukėti plūdės smaigalį (rodyklę OPEN) ir kelti į viršų.
2. **H 2** Naudotą garintuvo filtrą ištraukti į viršų iš plūdės krepšio ir utilizuoti.

ATSARGIAI

Įrengimo defektai dėl plūdės korpuso išėmimo!

- ▶ Išpakuojant neišimti plūdės korpuso.

3. **H 3** Naują garintuvo filtrą įstatyti į plūdės krepšį.

4. **H 4** Plūdės komplekto uždarymui plūdės smaigalį įstatyti į plūdės krepšį ir ant garintuvo filtro, spausti žemyn ir laikrodžio rodyklės kryptimi (rodyklė CLOSE) užsukti.
5. Patikrinimui lengvai į viršų patraukti plūdės smaigalį. Traukiant ji neturi pasikelti nuo plūdės krepšio.
6. Esant reikalui, plūdės smaigalį dar kartą sukuti ir patikrinti.
7. Tinkamai įstatyti plūdės komplektą į tuščią vandens vonelę.
8. Įrengimą surinkti (žiūr. į skyrių "Įrengimą surinkti").

Ionic Silver Stick® pakeisti

✓ Įrengimas išardytas ir ištuštintas.

1. Ionic Silver Stick® paimti nuo vandens vonelės dugno ir utilizuoti.
2. Naują Ionic Silver Stick® įstatyti į laikiklį, esantį vandens vonelės dugne.
3. Tinkamai įstatyti plūdės komplektą į tuščią vandens vonelę.
4. Įrengimą surinkti (žiūr. į skyrių "Įrengimą surinkti").

Įrengimą surinkti

✓ Įrengimas išardytas ir ištuštintas.

1. Tinkamai įstatyti plūdės komplektą į vandens vonelę.
2. **B 5** Vandens vonelę su plūdės komplektu įstatyti į apatinę dalį naudojant vonelės rankenas.
3. Viršutinę dalį uždėti ant apatinės dalies.
4. **B** Įsitikinti, kad įrengimas teisingai surinktas.
5. Įsitikinti, kad įrengime nėra pašalinių objektų.
↳ Įrengimas surinktas.

Įrengimą transportuoti



ATSARGIAI

Pavojus susižeisti dėl krentančių dalių!

- ▶ Išpakuodami ir keldami įrengimą jį visada imkite už apatinės dalies.

ATSARGIAI

Vandens perteklius dėl per kraštus išsiliejusio vandens!

- ▶ Prieš transportą įrengimą ištuštinti.

1. Įrengimą ištuštinti (žiūr. į skyrių "Įrengimą išardyti ir ištuštinti")
2. Įrengimą išdžiovinti.
3. Įrengimą pakelti už apatinės dalies ir nešti į pageidaujama vietą.

Įrengimą sanėliuoti

1. Įrengimą valyti (žiūr. į skyrių "Įrengimą valyti ir atlikti techninę priežiūrą").
2. Įrengimą išdžiovinti.

3. Pageidautina, kad įrengimas būtų supakuotas į originalią pakuotę.
4. Įrengimą laikyti sausoje, vėsioje vietoje.

Įrengimą utilizuoti

Atitarnavusį įrengimą priduoti pardavėjui, kad jis tinkamai jį utilizuotų. Utilizuojant atkreipti dėmesį į galiojančius nacionalinius potvarkius. Apie kitas išmetimo galimybes Jūs sužinosite savo bendruomenėje arba savivaldybėje.

Atsarginės dalys ir priedai

Atsarginės dalys ir priedus Jūs galite įsigyti iš savo pardavėjo ir patys pakeisti įrengime. Leidžiama naudoti tik originalias gamintojo dalis. Remontą gali atlikti tik specialistai. Tai galioja ir sugedusiam tinklo laidui.

Priedai	Pavadinimas
Garintuvo filtras	A7018
Ionic Silver Stick®	A7017
Nukalkinimo priemonė	A7417

Dažni klausimai

K. Kodėl mano kambaryje per mažas oro drėgnumas?

A. Kaip dažnai Jūs naudojate įrengimą? Jei įrengimas veikia tik naktimis, per dieną sumažėja oro drėgnumas, nes orui nepastoviai suteikiama drėgmė.

A. Medis, oda, kilimai, užuolaidos ir kitos medžiagos sugeria daug drėgmės, todėl oro drėgnumas patalpoje sumažėja.

Jei atidarytas langas, tai drėgmė išeina iš kambario.

Viena iš dažnų priežasčių yra ta, kad įrengimas pastatomas prie šildymo įrengimo, kad drėgmė karšto oro pagalba būtų greitai paskirstyta patalpoje. Tačiau tai yra neveiksminga. Išeinantis karštas oras sugeria didžiąją dalį drėgmės, jai dar nepatekus į patalpos orą.

K. Ar duris laikyti atidarytas ar uždarytas, kol veikia įrengimas?

A. Esant atidarytomis durimis drėgmė išeina iš patalpos ir pasiskirsto kitose namo vietose. Jei norite padidinti oro drėgnumą tam tikroje patalpoje, tai Jūs turėtumėte atkreipti dėmesį į tai, kad tos patalpos durys būtų uždarytos, kol veikia įrengimas.

K. Kokia oro drėgmė turėtų būti mano kambaryje?

A. Rekomenduotinas oro drėgnumas 40–60 %.

K. Kokios pasėkmės esant per mažai arba per didelei oro drėgmei?

A. Sausas oras gali išdžiovinti odą, sukelti elektrostatines iškrovas, išderinti instrumentus, padidinti dulkių susidarymą, pakenkti objektams iš medžio (išdžiūvimas ir įtrūkimai), sukelti negerą savijautą, ligas ir išdžiovinti nosies gleivinę. Per didelis oro drėgnumas gali sukelti pelėsių susidarymą, gali nusilupti tapetai.

K. Kodėl reikalingas garintuvas, jei aš paprasčiausiai galiu atidaryti langą?

A. Lauko oro drėgnumas yra nepakankamas, kad būtų galima drėkinti patalpą.

K. Kur turėčiau pastatyti savo garintuvą?

A. Įrengimas turi laisvai stovėti ir ne prie sienos, lango, durų ar šilumos tilto, kad oras laisvai galėtų cirkuliuoti aplink įrengimą.

K. Ar blogai, jei mano įrengimas veikia būdamas sausas?

A. Jei yra tokia galimybė, kad įrengimas veikia būdamas sausas, pvz. jei Jūs negalite papildyti vandens, išjunkite įrengimą, prieš išeidami iš patalpos. Be vandens įrengimas negali drėkinti oro ir taip gali atsirasti nemalonūs kvapas.

K. Ar galima naudoti įrengimą visus metus?

A. Taip, Jūs galite naudoti įrengimą visus metus. Įrengimas sukurs santykinį oro drėgnumą, kol bus užpildytas patalpos oras. Todėl įrengimas negali oro "per daug sudrėkinti".

K. Ar galiu vandens vonelę plauti indaplovėje?

A. Ne, Jūs negalite vandens vonelės plauti indaplovėje, nes ji gali ištripti.

Bendroji informacija apie oro drėkinimą

Ar žinojote, kad per sausas patalpos oras

- išdžiovina gleivinę, suskildina lūpas ir sukelia akių dirginimą?
- skatina kvėpavimo takų infekcijas ir ligas?
- sukelia nuovargį ir mažina koncentraciją?
- neigiamai veikia naminius gyvūnus ir augalus?
- skatina dulkių susidarymą ir tekstilės gaminių iš sintetinio pluošto, kilimų bei sintetinių grindų dangų elektrostatinę iškrovą?
- pažeidžia įrangos objektus iš medžio ir būtent parketo grindų dangą?
- išderina muzikos instrumentus?

Fizinė žmonių ir gyvūnų savijauta priklauso nuo daugelio poveikių. Vienas iš jų - tinkamai sudrėkintas patalpos oras. Per šildymo laikotarpį šaltas lauko oras, kuris per langus patenka į gyvenamąsias patalpas, išsyla. To pasekoje, stipriai sumažėja santykinis oro drėgnumas. Augalams ir gyvūnams nepalankus klimatas, medienos objektai ir baldai išdžiūsta, o žmonės jaučiasi negerai, todėl padidėja peršalimo ligų skaičius. Kaip taisyklė, malonus patalpos oras yra tada, jei santykinis oro drėgnumas yra tarp 40 ir 60 %. Oro drėkinimas ypač veiksmingas žiemos metu.

Gedimus pašalinti

i Elektrinių prietaisų remontą gali atlikti tik specialistai. Dėl netinkamo remonto gali kilti didelis pavojus naudotojui ir dingti garantija.

ĮSPĖJIMAS

Pavojus gyvybei dėl elektros smūgio!

- ▶ Neremontuoti elektrinių dalių.

Gedimas	Priežastis	Sprendimas
Įrengimas neveikia.	Neįkišta tinklo šakutė.	▶ Įkišti tinklo šakutė ir įjungti įrengimą.
	Vandens vonelė surenkant nebuvo įstatyta.	▶ Įstatyti vandens vonelę (žiūr. į skyrių "Įrengimą surinkti").
Braukimo garsai	Netinkamai įstatyta vandens vonelė.	▶ Tinkamai įstatyti vandens vonelę (žiūr. į skyrių "Įrengimą surinkti").
Oras nedrėkinamas	Vandens vonelėje nėra vandens.	▶ Pripildyti vandens vonelę (žiūr. į skyrių "Įrengimą pripildyti").
	Užkalkėjęs garintuvo filtras.	▶ Garintuvo filtrą pakeisti (žiūr. į skyrių "Garintuvo filtrą pakeisti").
Pripildant nesimato plūdės smaigalio su pripildymo lygio žiedu.	Surenkant buvo pamiršta viena įrengimo dalis.	▶ Tinklo šakutę ištraukti. ▶ Patikrinti, ar įrengimas tinkamai surinktas (B paveikslėlis).
	Įrengimas netinkamai surinktas.	
Įrengimas praleidžia vandenį.	Įrengimas buvo perpildytas.	▶ Vandens išpilti (žiūr. į skyrių "Įrengimą išardyti") ▶ Įrengimą išdžiovinti. Išsiliejusį vandenį išvalyti.
	Surenkant buvo pamiršta įrengimo dalis.	▶ Tinklo šakutę ištraukti. ▶ Patikrinti, ar įrengimas tinkamai surinktas (B paveikslėlis).
	Įrengimas netinkamai surinktas.	
Įrengimas skleidžia nemalonų kvapą.	Įrengimas veikia nepripildytas.	▶ Įrengimą pripildyti (žiūr. į skyrių "Įrengimą pripildyti").
	Užterštas garintuvo filtras.	▶ Garintuvo filtrą pakeisti (žiūr. į skyrių "Garintuvo filtrą pakeisti").

Kasutusjuhend

Saksa

Lk	Peatükk
55	Käesoleva dokumendi kohta
55	Ohutusjuhised
56	Tehnilised andmed
56	Seadme kirjeldus
56	Talitusprintsip
56	Seadme väljapakkimine
56	Seadme käikuvõtmine
57	Seadme sisse-/väljalülitamine
57	Seadme puhastamine ja hooldamine
58	Seadme transportimine
58	Seadme ladustamine
58	Seadme utiliseerimine
58	Varuosad ja tarvikud
58	Sagedased küsimused
59	Üldine informatsioon õhu niisutamise kohta
59	Rikete kõrvaldamine

Käesoleva dokumendi kohta

Antud kasutusjuhend kujutab endast toote osa ning kirjeldab selle ohutut käsitsemist. Kasutusjuhend kehtib eranditult siinkohal kirjeldatud toote kohta.

- Lugege kasutusjuhend enne käikuvõtmist täielikult läbi.
- Hoidke kasutusjuhendit toote eluea kestel alles.
- Andke kasutusjuhend toote järgmisele omandajale või kasutajale edasi ning lisage sellele tootjalt saadud täiendused.
- Kahjude eest, mis on põhjustatud käesoleva kasutusjuhendi eiramisest, lükkab tootja igasuguse vastutuse tagasi.

Sihtotstarbekohane kasutamine

Seade on ette nähtud eranditult õhu niisutamiseks kuni 120 m³ üldpinnaga eluruumides. Suuremates ruumides pole üldjuhul enam võimalik optimaalset õhuniiskust (suhteline õhuniiskus 50 %) saavutada. Seadet ei tohi teistel eesmärkidel kasutada. Seadmesse ei tohi pista võõrkehi. Kasutage seadet ainult vastavalt käesolevas kasutusjuhendis kirjeldatud eesmärkidel.

Garantii

Garantiinõuded on meie vastava riigi esinduses kindlaks määratud. Pöörduge seadmel puuduse tekkimise korral oma edasimüüja poole. Garantiijuhtumi rahuldamiseks on ostutšeki ettenäitamine tingimata nõutav.

CE-vastavus ja kehtivad direktiivid

Seade on CE-vastav ja täidab alljärgnevat direktiivi:

- 2006/95/EÜ elektrilase ohutuse kohta
- 2004/108/EÜ elektromagnetilise ühilduvuse kohta
- 2002/95/EÜ kitsendamaks teatud ohtlike ainete kasutamist elektri- ja elektroonikaseadmetes
- 2002/96/EÜ vanade elektri- ja elektroonikaseadmete kohta

Käesolevas dokumendis esinevad juhised ja tähistused



Antud dokumendis kasutatakse vigastuste ning materiaalsete kahjude vältimiseks vastavaid hoiatusjuhiseid. Need on koostatud järgneval viisil:

HOIATUSASTE

Ohu põhjus ja tagajärg

- ▶ Meede ohu vältimiseks

On olemas järgmised hoiatusastmed:

Hoiatusaste	Kirjeldus
 HOIATUS	Võimalik esinev oht. Eiramise korral ähvardab surm või raskeimad vigastused.
 ETTEVAATUST	Ohtlik situatsioon. Eiramise korral võivad olla tagajärjeks väiksemad vigastused.
ETTEVAATUST	Kriitiline situatsioon. Eiramise korral võivad olla tagajärjeks materiaalsed kahjud.

Käesolevas dokumendis kasutatakse informatsioonile kiire juurdepääsu võimaldamiseks järgmisi sümboleid:

Sümbol	Kirjeldus
✓	Eeldus, mis peab olema enne tegevust täidetud.
▶	Tegevus ühes või mitmes etapis, mille järjekorral pole tähtsust.
1. 2.	Tegevus mitmes etapis, mille järjekord on tähtis.
•	Esimese tasandi loend
-	Teise tasandi loend
↪	Ühe või mitme tegevuse tulemus
(vt...)	Viide peatükile või pildile
i	Tähtis informatsioon
A 1	Viide positsiooninumbrile pildil, nt. positsiooninumber 1 graafikul A

Ohutusjuhised

- Lugege enne seadme kasutamist käesolevas kasutusjuhendis läbi ja hoidke see kindlas kohal alal.
- Kasutusjuhendit mittetundvad isikud, samuti lapsed ning ravimite-, alkoholi- või narkootikumide mõju all viibivad isikud ei tohi seadet käsitseda.
- Kasutage seadet üksnes kooskõlas selle sihtotstarbekohase kasutamisega ning spetsiifiliste tehniliste andmete piires. Sihtotstarbele mittevastav kasutamine võib ohustada tervist ning inimelusid.
- **A 1** Lapsed ei oska elektriseadmetega ümberkäimisel kaasnevat ohte ära tunda. Seepärast hoidke lastel alati silm peal, kui nad seadme läheduses viibivad.
- Ärge käituge seadet süttimisohulikke aineid, gaase või auru sisaldavates ruumides.

- Ärge muutke seadme ehitust ega pistke seadmesse võõrkehi.

Elektriga ümberkäimisel valitseb elektrilöögi tõttu eluoht. Järgige selle vältimiseks alljärgnevat juhiseid:

- Ärge jätke seadet vihma kätte.
- Ärge kasutage seadet ruumides suhtelise õhuniiskusega > 70 %.
- Tõmmake mittekasutamisel võrgupistik välja.
- **A 2** Ärge tõmmake kunagi võrgupistikut pistikupesast välja kaablist hoides.
- **A 3** Ärge tõmmake kunagi võrgupistikut pistikupesast välja ega pistke sisse märgade kätega.
- **A 4** Ühendage seade ainult vahelduvvooluvõrku.
- **B 14** Käituge seadet ainult seadme tüübisildil äratoodud pingega.
- **Ärge** võtke seadet käiku:
 - **A 5** kui kaabel või pistik on kahjustatud.
 - pärast väärtalitluse ilmnenemist.
 - **A 6** kui see kukkus alla või sai muul viisil kasutada.
- **A 7** Elektriseadmeid tohivad remontida üksnes erialaspetsialistid. Defektse võrgukaabli tohib remontida/välja vahetada üksnes erialaspetsialist.
- Tõmmake võrgupistikut järgmistel juhtudel pistikupesast välja:
 - enne seadme igakordset tühjendamist,
 - enne igakordset puhastamist,
 - enne aurustusmati või Ionic Silver Stick® igakordset vahetamist,
 - enne üksikute detailide igakordset montaaži/demontaaži,
 - enne ülaosa igakordset mahatõstmist,
 - enne igakordset asukoha muutmist.
- **A 8** Ärge kastke elektrisüsteemi ja ventilaatoriga alaosa kunagi vette ega teistesse vedelikesse ning ärge loputage vee ega teiste vedelikega.

Järgige vigastuste vältimiseks alljärgnevat juhiseid:

- **A 9** Valige seadme asukoht nii, et Te ei komistaks kaablile.
- Valige seadme asukoht nii, et seda poleks võimalik ümber lükata.
- **A 10** Ärge kiiluge kaablit uste või teiste esemete vahele kinni.
- Ärge katke kaablit kinni.

Järgige materiaalsete kahjude vältimiseks alljärgnevat juhiseid:

- **A 11** Ärge istuge seadmele ega asetage sellele esemeid.
- **A 12** Asetage seade tasasele, kuivale pinnale.
- Hoidke seadme õhu sisselase ja väljalase tingimata vabadena.
- Kasutage seadme täitmiseks eranditult puhtaid nõusid.
- Tehke kindlaks, et kastekann poleks täidetud väetise ega sarnaste ainetega.
- Ärge valage seadmesse ega veevanni lisandeid.
- **Ärge** kasutage veelisandeid (nt. eetriilisi õlisid, lõhnaaineid, veepuhastusaineid). Valmistusmaterjal ei sobi lisandite kasutamiseks.
- Võtke seade käiku üksnes terviklikult kokkupandud ning laitmatu seisukorras.

Tehnilised andmed

	Väärtus
Võrgupinge	230 V / 50 Hz
Võimsustarve	20 W
Niisutusvõimsus	kuni 220 g/h
Sobib ruumidele suurusega	kuni 40 m ²
Mahutavus	maks. 3,8 l min. 0,2 l
Mõõtmed PxLxK	320 x 320 x 400 mm
Tühikaal	3,8 kg
Töömüra tugevus	< 25 dB(A)

Seadme kirjeldus

Seade koosneb järgmistest osadest:

- **B 1** Täiteava
- **B 2** Täiteavaga ülaosa
- **B 3** Ujukipakett (B 16–19)
- **B 4** Ionic Silver Stick® (ISS)
- **B 5** Veevann (B 5–7)
- **B 6** Täitepiir
- **B 7** Vannikäepidemed
- **B 8** Väljavool
- **B 9** Ionic Silver Stick® (ISS) meeldetuletusmärk
- **B 10** Võrgukaabel/-pistik
- **B 11** Alaosa (B 11–14)
- **B 12** Ventilator
- **B 13** Nihklüliti (B 20–21)
- **B 14** Võimsusesilt (seadme alaküljel)

Ujukipakett koosneb järgmistest osadest:

- **B 15** Ujukitipp
- **B 16** Täitetasemerõngas (maksimaalselt 3,8 l)
- **B 17** Aurstusmatt A7018
- **B 18** Ujukikorv
- **B 19** Ujukikorpus

Nihklüliti koosneb järgmistest osadest:

- **B 20** Nihklüliti
- **B 21** Töörežiimi näit

Töörežiimid

Nihklüliti abil saab seadistada ette järgmisi töörežiime:

Asend	Funktsioon
0	Seade on välja lülitatud
I	Seade töötab öörežiimil (müravaene) Töörežiimi näit lülitub roheliseks
II	Seade töötab normaalsežiimil (maksimaalne niisutusvõimsus) Töörežiimi näit põleb roheliselt

Töörežiimi näit

Töörežiimi näit süttib kohe peale seadme sisselülitamist rohelisel põlema. Veevanni alaosa maha tõstes lülitub roheline LED punaseks ning seadme töörežiim katkestatakse, seade pole aga vooluvaba. Alles pärast veevanni alaosa tagasiasetamist lülitub punane LED taas roheliseks ning seade jätkab tööd.

Võimsusesilt

B 14 Võimsusesildil on toodud ära järgnev informatsioon:

- Tootnimetus
- Võrgupinge
- Võimsustarve
- Kaitseklass
- Tootmisnumber
- Tootmiskuupäev
- Vastavusmärk

i Andmed on ainult näitliku iseloomuga. Palun kontrollige oma seadme võimsusesildil äratoodud andmeid.

Talitusprintsip

Seadme täitmisel tõstetakse ujukilüliti veetaseme tõustes üles. Kui veetase saavutab täitepiiri, siis sulgeb ujukitipp seadme täiteava. Aurstusmatt imab end vett täis. Ventilator surub kuiva ruumiõhu läbi niiske masti ning väljastab selle piisavalt niisutatult. Õhuvoolu suunatud juhtimise tõttu on konstantne niisutamine võimalik peaaegu kõikidel veetasemetel. Sellega tagab seade optimaalse õhuniiskuse ilma, et läheks tarvis täiendavaid juhtseadmeid.

Ionic Silver Stick® vee puhtana hoidmiseks

B 4 Spetsiaalselt kohandatud antibakteriaalne kaitseüsteem Ionic Silver Stick® takistab veevanni vees algete- ning bakterite arengut. Vee puhtana hoidmiseks pole seetõttu keemilisi lisaaineid tarvis. Ionic Silver Stick® on iseuuenev, hooldusvaba ja seda saab kasutada ühe aasta vältel.

Meeldetuletusmärk

B 9 Seade on standardselt Ionic Silver Stick® väljavahetamise jaoks vastava meeldetuletusmärgiga varustatud. Tehke Ionic Silver Stick® käikuvõtmisaja hilisemaks meeldetuletamiseks märgil selleks ettenähtud joonel vastava kuu ning aasta kohale ristid.

Seadme väljapakkimine

i Seade on tarnimisel terviklikult kokku pandud ning juba aurstusmatiga varustatud.

i Ujukikorpus on ujukipaketi osa ega kuulu pakendi juurde.

⚠ ETTEVAATUST

Vigastusohu allakukkuvate osade tõttu!

- ▶ Haarake väljapakkimisel ja ülestõstmisel alati kinni seadme alaosast.

ETTEVAATUST

Kahjustused seadmel ujukikorpus eemaldamisel!

- ▶ Ärge eemaldage seadme väljapakkimisel ujukikorpus.

1. Avage pakend.
2. **C 1** Võtke stürooporpakendi ülaosa pealt ära.
3. **C 2** Haarake seadme täiteavast ja plastikaatkoti ülemisest otsast kinni.
4. **C 3** Tõmmake plastikaatkott koos seadmega ettevaatlikult pakendist välja. Seejuures hoidke plastikaatkotist tugevasti kinni ega laske sellest pakendist välja võttes lahti.
5. **C 5** Asetage plastikaatkott koos seadmega põrandale ja libistage plastikaatkott seadmelt allapoole maha.
6. **C 6** Haarake seadme alaosa kinni ja tõstke plastikaatkotist välja.
↳ Kõik pakendi koostisosad ja plastikaatkott on seadmelt eemaldatud.
7. **B 14** Kontrollige võrguühenduse andmeid võimsusesildilt üle.
8. **B** Kontrollige, kas seadme kõik osad on olemas.

Seadme käikuvõtmine

Seadme asukoha valimine

ETTEVAATUST

Kahjustused plastmassil kõrgete temperatuuride tõttu!

- ▶ Vältige seadmele temperatuuride > 50 °C mõjumist.

Järgige seadme ülespanekul järgnevaid juhiseid:

- **A 14** Jälgige, et seadmele oleks hea ligipääs ning hoolduse ning puhastuse läbiviimiseks piisavalt vaba ruumi.
- Võtke seade käiku üksnes täidetud olekus!

1. Asetage seade põrandale või muule ruumis olevale tasasele, kuivale pinnale.
2. Täitke seade (vt. peatükki "Seadme täitmine").

Seadme täitmine

Seadme veega täitmiseks on olemas järgnevad võimalused:

- ülaosa täiteava kaudu või
- vahetult veekraanist väljavõetud veevanni.

✓ Seadmes ei paikne võõrkehi.

✓ **B** Seade on nõuetekohaselt kokku pandud.

i Seade tuleks pikemaajalise seisaku korral tühjendada ning ära puhastada. Enne taaskäikuvõtmist tuleb seade täita puhta veega. Vastasel juhul võib erituda ebameeldivat lõhna.

ETTEVAATUST

Kahjustused ja praod plastmassis veelisandite tõttu!

- ▶ Ärge pange vette lisandeid (nt. eetrilisi õlisid ega teisi lõhnaaineid).
- ▶ Tehke eelnevalt kindlaks, et mingist nõust täitmisel poleks selles vesilahuselisi lisandeid (nt. taimeväetis).

ETTEVAATUST

Veekahjud ületäitmise korral!

- ▶ Täitmisel ei tohi täitetaseme joonega tähistatud maksimaalset täitekogust 3,8 l ületada.

Seadme täitmine täiteava kaudu:

1. **D 1** Täitke seade puhast nõud (nt. kruusi) kasutades.
 2. **D 2** Valage puhta anumaga ülaosa täitevasse puhast, külma vett.
 3. **D 3** Lõpetage seadme täitmine koheselt pärast täiteavas ujuki punase täitetasemerõnga nähtavale ilmumist.
- Seade on veega täidetud ja selle võib sisse lülitada.

Seadme täitmine veevanni kaudu:

- ✓ **E 1** Seade on välja lülitatud ja võrgupistik välja tõmmatud (vt. peatükki "Seadme sisse/väljalülitamine").
1. **E 2** Tõstke ülaosa alaosal maha.
 2. **E 3** Tõstke veevann koos ujukipaketiga vannikäepidemete abil maha.
 3. **E 4** Täitke veevann vahetult puhta, külma veega.
 4. **E 4** Valage kõige rohkem sisse nii palju, kuni veevanni siseküljel äratoodud maksimaalne täitepiir on saavutatud.
 5. Asetage täidetud veevann koos ujukipaketiga alaosa peale.
 6. Asetage ülaosa alaosa peale.
- Seade on veega täidetud ja selle võib sisse lülitada.

Seadme sisse-/väljalülitamine

i Kui seade võetakse käiku tühja veevanniga või veevann töötamise ajal tühjeneb, siis kuivab aurustusmatt ära, niiskust enam ei toodeta ning võib eralduda halba lõhna.

✓ Seade on veega täidetud.

1. Pistke võrgupistik pistikupesasse.
 2. Seadke nihklüliti vastavalt vajadusele asendisse I või asendisse II (vt. peatükki "Töörežiimid").
- Seade on sisse lülitatud.

1. Seadke nihklüliti asendisse 0.

HOIATUS

Eluohhtlik elektrilöökk!

- ▶ Ärge tõmmake võrgupistikut pistikupesast välja märgade kätega.

2. **E 1** Tõmmake võrgupistik välja.
- Seade on välja lülitatud ja vooluvaba.

Seadme puhastamine ja hooldamine

Suureneva töökestusega aurustusmati imi- ja aurustusvõimsus langeb. Seepärast on seadme regulaarne hooldus ja puhastamine vahejuhtumiteta ning rikkevaba töötamise tagamisel oluliseks eelduseks.

ETTEVAATUST

Plastmassi kahjustamine ebasobivate puhastusvahenditega!

- ▶ Ärge kasutage happelisi puhastusvahendeid.

- ▶ Pühkige seade niiske lapiga puhtaks.

Puhastus- ja hooldusintervallid

Soovitavad puhastus- ja hooldusintervallid sõltuvad õhu ning vee kvaliteedist ja tegelikust töökestusest.

Intervall	Tegevus
1 kord päevas	Kontrollige veetaset, vaj. valage vett juurde (vt. peatükki "Seadme täitmine")
al. 1-nädalase töötamiseta	Tühjendage ja puhastage seade (vt. peatükki "Seadme lahtivõtmine ja tühjendamine")
iga 2 nädala tagant	Puhastage veevann (vt. peatükki "Veevanni puhastamine")
iga 10–12 nädala tagant (või vajadusel)	Asendage aurustusmatt (vt. peatükki "Aurustusmatti vahetamine")
1–2 korda aastas	Puhastage ventilaator (vt. peatükki "Ventilaatori puhastamine")
1 kord aastas	Ionic Silver Stick® (vt. peatükki "Ionic Silver Stick® vahetamine")

Seadme lahtivõtmine ja tühjendamine

Seadet on võimalik puhastamiseks väheste töövõtetega lahti võtta.

HOIATUS

Eluohhtlik elektrilöökk!

- ▶ Ärge tõmmake võrgupistikut pistikupesast välja märgade kätega.

- ✓ **F 1** Seade on välja lülitatud ja võrgupistik välja tõmmatud.

1. **F 3** Tõstke ülaosa alaosal maha.
2. **F 4** Võtke veevann koos ujukipaketiga selleks ettenähtud vannikäepidemete abil maha.
3. **F 5** Laske ülejäanud vesiveevannist väljavoolu kaudu välja.
4. **F 6** Võtke ujukipakett tühjast veevannist välja.

HOIATUS

Eluohhtlik elektrilöökk!

- ▶ Ärge valage vett tühjendamisel elektrisüsteemi peale.

5. Kui alaosas on vett: tühjendage alaosa ja kuivatage ära.

→ Seade on lahti võetud ja tühjendatud.

Veevanni puhastamine

- ✓ Seade on lahti võetud ja tühjendatud

HOIATUS

Eluohhtlik elektrilöökk!

- ▶ Tõmmake enne puhastamist võrgupistik välja.
- ▶ Ärge kastke elektrisüsteemi ja ventilaatoriga varustatud alaosa kunagi vette.

1. **G 1** Peske veevann leige veega puhtaks.
2. **G 2** Puhastage veevanni põhjaliku puhtuse tagamiseks tavalise kaubandusvõrgu saadaoleva pesuharjaga.
3. Kasutage veevannist katlakivi eemaldamiseks selleks soovitatavat katlakivieemaldusvahendit (vt. peatükki "Varuosad ja tarvikud").
4. Kuivatage osad pärast puhastamist ära.
5. Asetage ujukipakett sobivas asendis tühja veevanni.
6. Pange seade kokku (vt. peatükki "Seadme kokkupanemine").

Ventilaatori puhastamine

- ✓ Seade on lahti võetud ja tühjendatud.

1. **G 3** Pühkige ventilaator kergelt niiske rätiku või puhastuslapiga üle.
2. Kuivatage osad pärast puhastamist ära.
3. Pange seade kokku (vt. peatükki "Seadme kokkupanemine").

Aurustusmatti vahetamine

Tugeva mustumise, katlakiviga kattumise, lõhna eritumise, vähendatud imamisvõimsuse jne. korral tuleks aurustusmatt uuega asendada. Aurustusmatte saate soetada edasimüüja kaudu, kellelt Te seadme ostsite.

- ✓ Seade on lahti võetud ja tühjendatud.

i Kasutage ainult tootja originaal-aurustusmatte (vt. peatükki "Varuosad ja tarvikud").

ETTEVAATUST

Niiske aurustusmatti kahjustamise oht läbipesemisel või väljaväänamisel!

- ▶ Ärge peske aurustusmatte läbi ega väänake neid välja.

1. **H 1** Keerake ujukitippu ujukipaketi avamiseks suunaga vastupäeva (nool OPEN) ja tõstke ülespoole maha.
2. **H 2** Tõmmake kasutatud aurustusmatt ujukikorvi ülespoole maha ja utiliseerige.

ETTEVAATUST

Kahjustused seadmel ujukikorpuse eemaldamisel!

- ▶ Ärge eemaldage seadme väljapakkimisel ujukikorpust.

3. **H 3** Asetage ujukikorpule uus aurustusmatt.

4. **H 4** Asetage ujukipaketisulgemiseks ujukitipp ujukikorvile, paigaldage aurustusmatt, suruge allapoole ja keerake suunaga päripäeva (nool CLOSE) kinni.
5. Tõmmake ülekontrollimiseks ujukitippu veidi ülespoole. Seejuures ei tohi see ujukikorvist üles tõusta.
6. Vaj. keerake veelkord ujukitippu ning kontrollige üle.
7. Asetage ujukipakett sobivas asendis tühja veevanni.
8. Pange seade kokku (vt. peatükki "Seadme kokkupanemine").

Ionic Silver Stick® vahetamine

✓ Seade on lahti võetud ja tühjendatud.

1. Ionic Silver Stick® veevanni põhjast välja ja utiliseerige.
2. Pistke uus Ionic Silver Stick® veevanni põhjasse olevasse hoidikusse.
3. Asetage ujukipakett sobivas asendis tühja veevanni.
4. Pange seade kokku (vt. peatükki "Seadme kokkupanemine").

Seadme kokkupanemine

✓ Seade on lahti võetud ja tühjendatud.

1. Asetage ujukipakett sobivas asendis veevanni.
2. **B 5** Asetage veevann koos ujukipaketiga vannikäepidemete abil alaosasse.
3. Asetage ülaosa alaosale peale.
4. **B** Tehke kindlaks, et seade on õigesti kokku pandud.
5. Tehke kindlaks, et seadmes ei paikne võõrkehi.
↳ Seade on kokku pandud.

Seadme transportimine



ETTEVAATUST

Vigastusohu allakukkuvate osade tõttu!

- ▶ Haarakke väljapakkimisel ja ülestõstmisel alati kinni seadme alaosast.

ETTEVAATUST

Veekahjud üleloksuva vee korral!

- ▶ Tühjendage seade enne transportimist.

1. Tühjendage seade (vt. peatükki "Seadme lahtivõtmine ja tühjendamine").
2. Kuivatage seade ära.
3. Tõstke seade alaosast üles ja kandke soovitud kohta.

Seadme ladustamine

1. Puhastage seade ära (vt. peatükki "Seadme puhastamine ja hooldamine").
2. Kuivatage seade ära.
3. Pakkige seade eelistatult originaalpakendisse.
4. Hoidke seadet alal kuivas, jahedas kohas.

Seadme utiliseerimine

Andke oma aja äraelanud seade nõuetekohaseks utiliseerimiseks edasimüüjale tagasi. Järgige utiliseerimisel riigis kehtivaid eeskirju. Edasiste utiliseerimisvõimaluste kohta saate teavet kohalikust valla- või linnavalitsusest.

Varuosad ja tarvikud

Varuosi ja tarvikuid saate osta edasimüüjalt ning need seadmel iseseisvalt välja vahetada. Kasutada tohib üksnes tootja originaalosi. Remonditöid tohivad teostada ainult erialaspetsialistid. See kehtib ka defektse võrgukaabli kohta.

Tarvikud	Tähistus
Aurustusmatt	A7018
Ionic Silver Stick®	A7017
Katlakivieemaldusvahend	A7417

Sagedased küsimused

K. Miks on õhuniiskuse tase minu toas liiga madal?

1. Kui tihti kasutate Te seadet? Kui seade töötab ainult öösiti, siis päeva jooksul õhuniiskuse tase langeb, sest õhule ei lisata konstantselt niiskust.
2. Puit, nahk, vaibad, kardinaad ja muud materjalid salvestavad endasse palju niiskust, mille tõttu õhuniiskuse tase ruumis langeb. Avatud akna puhul võib niiskus toast lahkuda. Sagedaseks põhjuseks on olukord, kus seadme asukoht valitakse küttekeha läheduses, et niiskus saaks koos kuuma õhuga ruumis kiiremini jaotuda. See loomulikult ei tööta. Väljatungiv kuum õhk salvestab suure osa niiskusest enne, kui see ruumiõhuga üldse seguneb.

K. Kas peaksin hoidma ukse seadme töötamise ajal lahti või kinni?

1. Avatud ukse puhul lahkub niiskus ruumist ja jaotub ka maja teistesse piirkondadesse. Kui soovite niiskuse taset teatud ruumis tõsta, siis peaksite jälgima, et selle ruumi uks oleks seadme töötamise ajal kinni.

K. Kui kõrge peaks õhuniiskuse tase minu toas olema?

1. Soovitatav õhuniiskuse tase on 40–60 %.

K. Millised on liiga madala või liiga kõrge õhuniiskuse taseme tagajärjed?

1. Kuiv õhk võib põhjustada naha kuivust, elektrostaatiliste laengute teket, muusikainstrumentide häälestuse muutumist, suurendatud tolmuteket, kahjustusi puudust esemetel (ärakuivamine ja praod), halba enesetunnet, haigusi ning nina limaskesta kuivust. Liiga kõrge õhuniiskuse tase võib tuua endaga kaasa hallituse teket ja tapeedi lahtitulemist.

K. Milleks on mulle tarvis aurustit, kui võiksin lihtsalt akna lahti teha?

1. Välisõhus sisalduv õhuniiskus ei ole ruumi niisutamiseks piisavalt kõrge.

K. Kuhu peaksin oma aurusti üles seadma?

1. Seade peaks seisma vabalt ja mitte vastu seinale, akent, ust või soojussilda, et õhk saaks seadme ümber vabalt tsirkuleerida.

K. Kas see on halb, kui seade töötab kuival?

1. Kui valitseb kuival töötamise võimalus, nt. kui Teil pole võimalik vett juurde valada, siis lülitage seade enne ruumist lahkumist välja. Ilma veeta ei saa seade õhku niisutada ja see võib tuua endaga kaasa ebameeldiva lõhna eritumise.

K. Kas seadet võib kasutada aastaringelt?

1. Jah, Te võite seadet aastaringelt kasutada. Seade tõstab suhtelist õhuniiskust kuni ruumiõhk on küllastunud. Seetõttu ei saa seade õhku "liiga niiseks" muuta.

K. Kas veevanni tohib pesta nõudepesumasinas?

1. Ei, Te ei tohi veevanni nõudepesumasinas pesta, sest vastasel juhul sulab see üles.

Üldine informatsioon õhu niisutamise kohta

Kas Te teadsite, et liiga kuiv ruumiõhk

- kuivatab limaskesti ja põhjustab karedate huulte ning kulmude teket?
- soodustab hingamisteede infektsioone ja haigusi?
- põhjustab tuimust, väsimust ja kontsentratsioonivõime halvenemist?
- mõjub halvasti koduloomadele ja toataimedele?
- soodustab tolmu teket ja kunstkiust tekstiilesemete, vaipade ja plastpõrandate kattumist elektrostaatiliste elektrilaengutega?
- kahjustab puidust sisustuseseid ning eriti just parkettpõrandaid?
- muudab muusikainstrumentide häälestust?

Inimese ja looma kehaline heaoluline sõltub paljudest teguritest. Üks neist on õigesti niisutatud ruumiõhk. Kütteperioodil toimub akende kaudu eluruumidesse siseneva külma välisõhu soojendamine. Selle tulemuseks on suhtelise õhuniiskuse massiivne langemine. Taimede ja loomade jaoks ebasobiv kliima, puitesemed ja mööbel kuivab ära, inimesed tunnevad ennast halvasti ning muutuvad üha enam külmetushaiguste vastuvõtlikeks. Meeldiv on ruumis valitsev kliima reeglina siis, kui suhtelise õhuniiskuse tase jääb 40 ja 60 % vahele. Eriti mõttekas on õhu niisutamine just talvisel ajal.

Rikete kõrvaldamine

i Elektriseadmeid tohivad remontida üksnes erialaspetsialistid. Asjatundmatu remondi korral võib sattuda kasutaja kõrgendatud ohu kätte ning garantiioigus kustub.

HOIATUS

Eluohtlik elektrilööök!

- ▶ Ärge remontige elektriosi.

Rike	Põhjus	Lahendus
Seade ei tööta.	Võrgupistik pole sisse pistetud.	▶ Pistke võrgupistik sisse ja lülitage seade sisse.
	Kokkupanemisel ei paigaldatud veevanni.	▶ Paigaldage veevann (vt. peatükki "Seadme kokkupanemine").
Hõõrdemürad	Veevann pole õigesti paigaldatud.	▶ Paigaldage veevann õigesti (vt. peatükki "Seadme kokkupanemine").
Õhku ei niisutata	Veevannis pole vett.	▶ Täitke veevann (vt. peatükki "Seadme täitmine").
	Aurustusmatt on katlakiviga kaetud.	▶ Vahetage aurustusmatt (vt. peatükki "Aurustusmatti vahetamine").
Täitmisel ei ilmu ujukitippu koos täitetasemerõngaga nähtavale.	Kokkupanemisel unustati üks seadmeosa ära.	▶ Tõmmake võrgupistik välja. ▶ Kontrollige, kas seade on õigesti kokku pandud (pilt B).
	Seade on valesti kokku pandud.	
Seadmest lekib vett.	Seade täideti üle määra.	▶ Laske vesi välja (vt. peatükki "Seadme lahtivõtmine"). ▶ Kuivatage seade ära. Seejuures pühkige väljatunginud vesi ära.
	Kokkupanemisel unustati üks seadmeosa ära.	▶ Tõmmake võrgupistik välja. ▶ Kontrollige, kas seade on õigesti kokku pandud (pilt B).
	Seade on valesti kokku pandud.	
Seade eraldab halba lõhna.	Seade töötab ilma täiteta.	▶ Täitke seade (vt. peatükki "Seadme täitmine").
	Aurustusmatt on mustunud.	▶ Vahetage aurustusmatt (vt. peatükki "Aurustusmatti vahetamine").

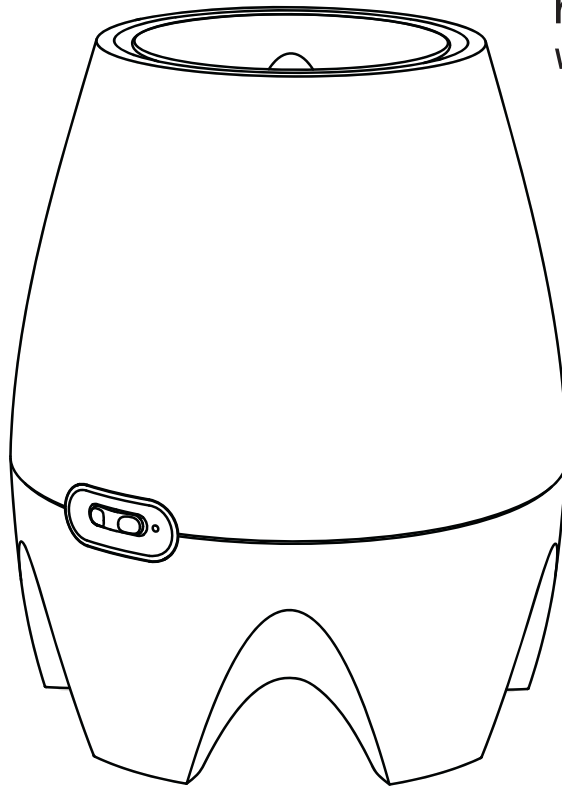


AIR-O-SWISS

ADVANCED AIR TREATMENT SYSTEMS



reddot design award
winner 2008



AIR-O-SWISS

ADVANCED AIR TREATMENT SYSTEMS

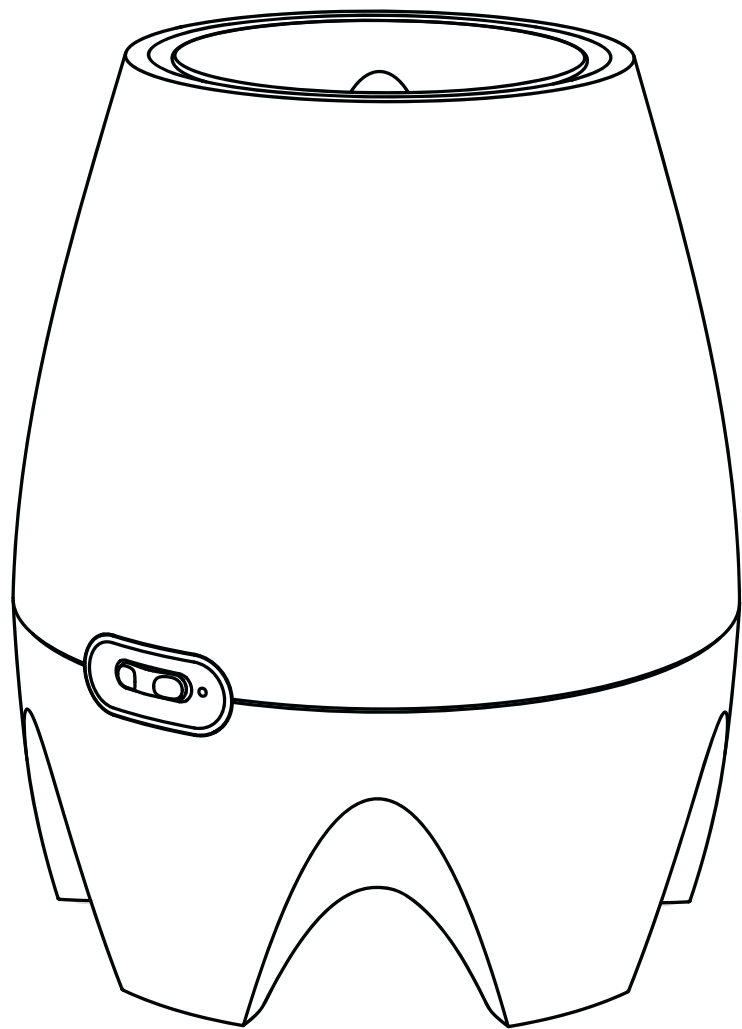
AIR-O-SWISS is a registered trademark of PLASTON AG, Espenstrasse 85, 9443 Widnau, Switzerland

Version: 1
Edition: 06/08
34077-00



E2441

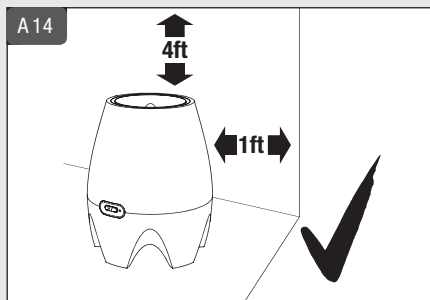
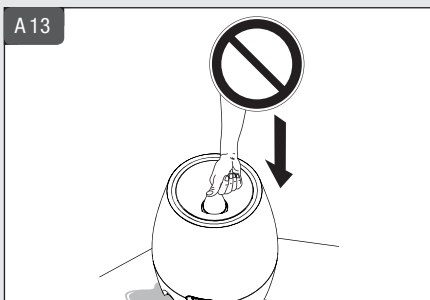
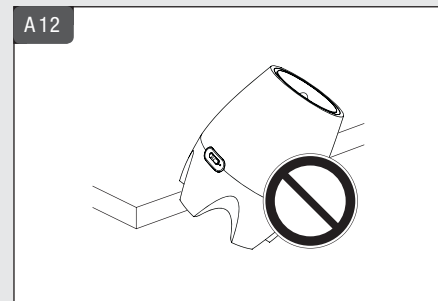
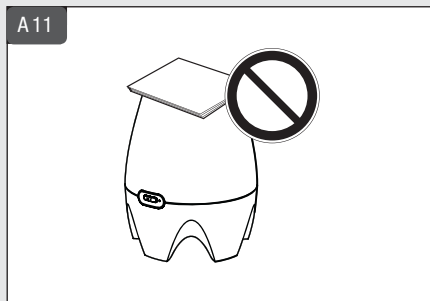
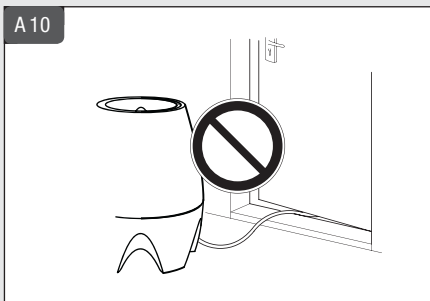
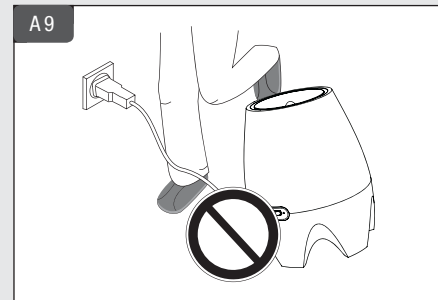
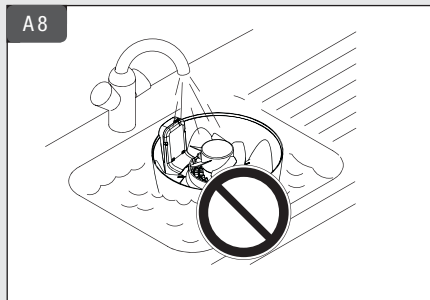
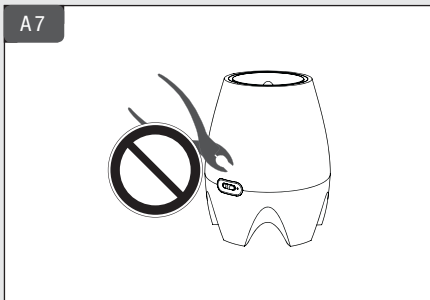
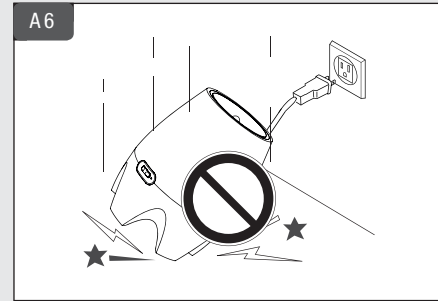
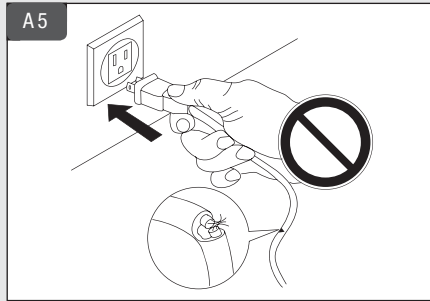
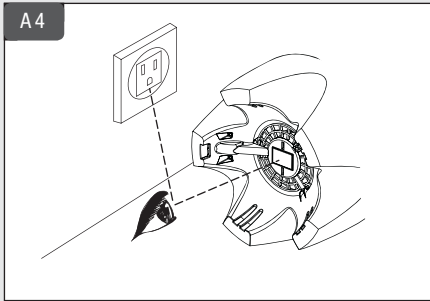
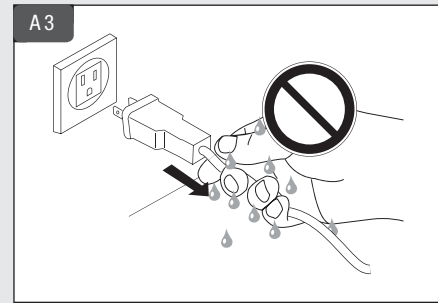
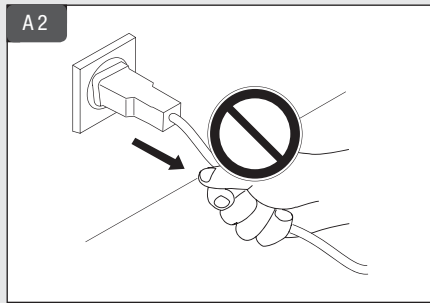
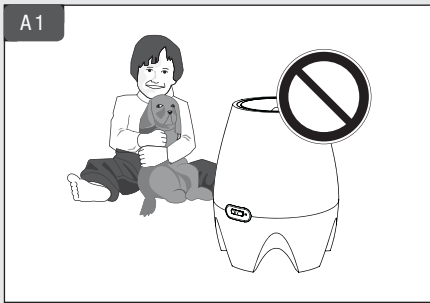
Evaporator



Instructions for use English	3	Upute za uporabu Hrvatski	35
Инструкция по эксплуатации Русский	8	Használati utasítás Magyar	40
Instrukcja obsługi w języku Polskim	14	Lietošanas instrukcija Latviski	45
Návod k použití Český	20	Naudojimo instrukcija Lietuvių kalba	50
Navodila za uporabo Slovenska	25	Kasutusjuhend Saksa	55
Návod na používanie Slovenský	30		

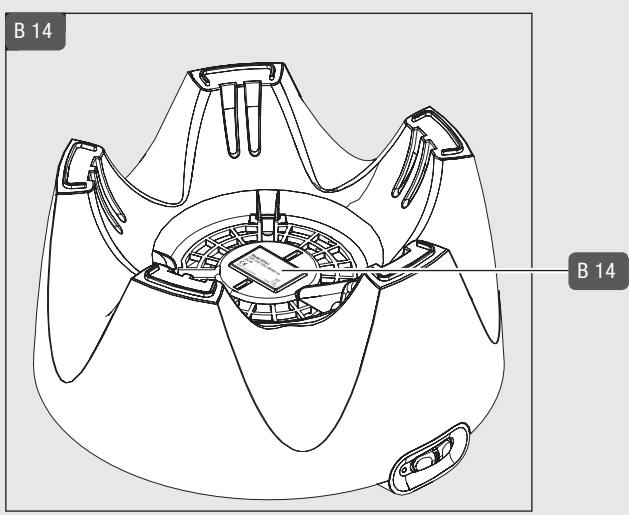
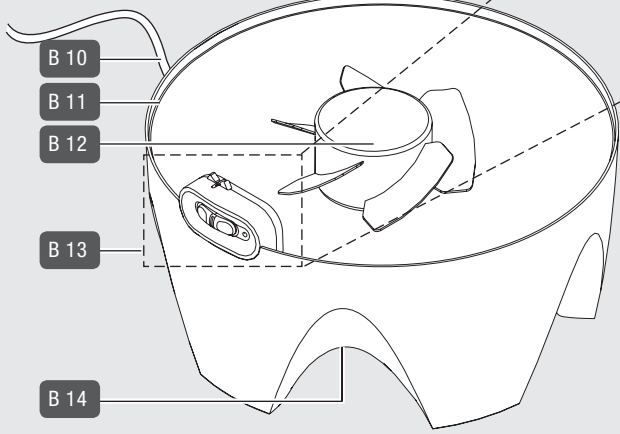
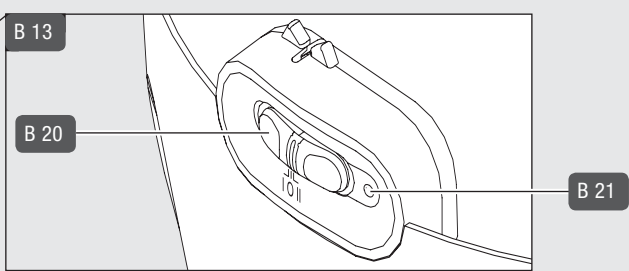
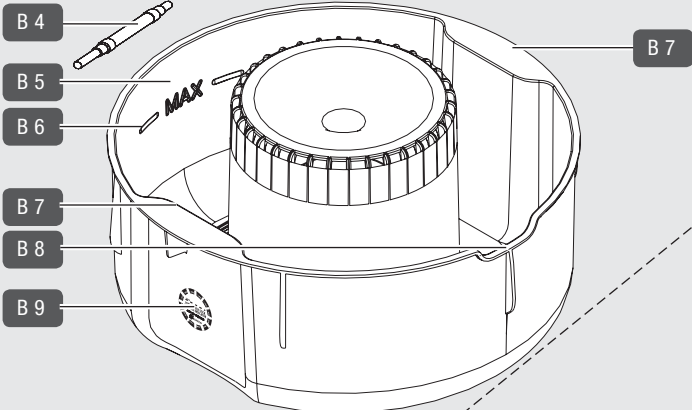
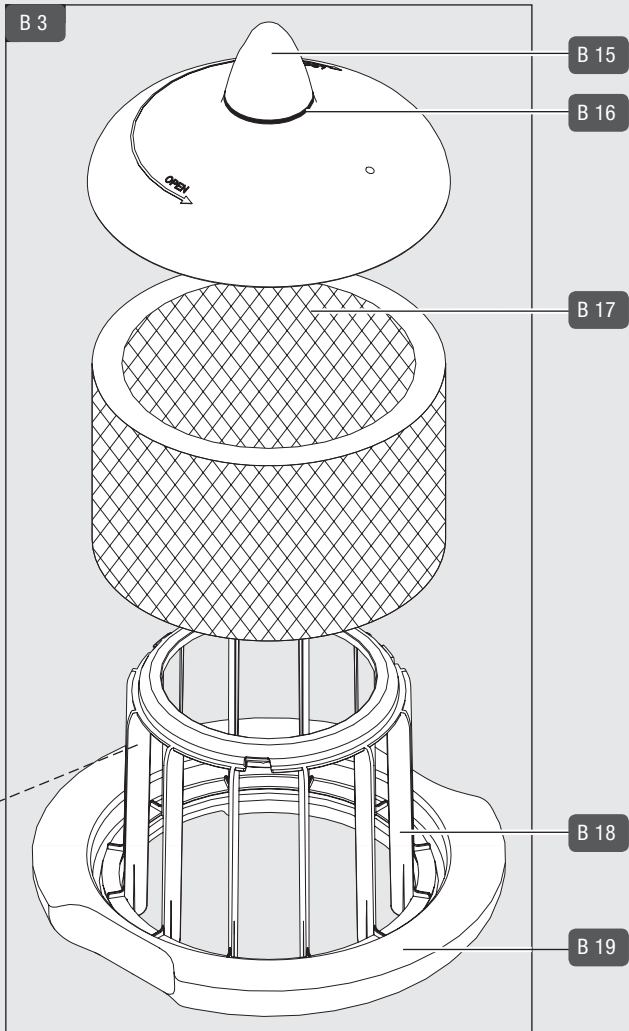
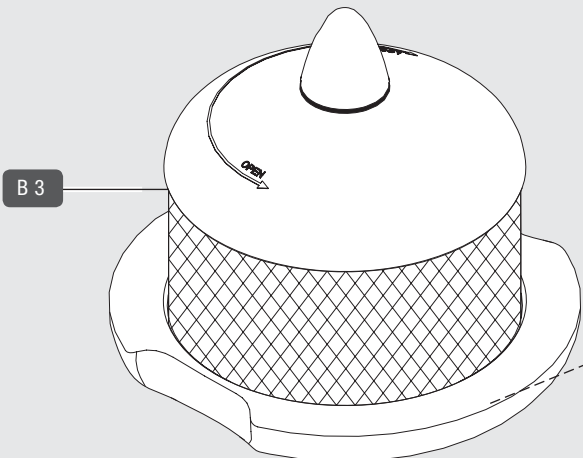
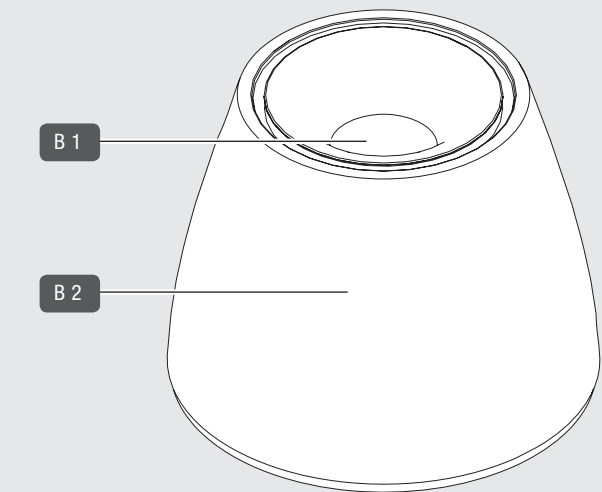


A



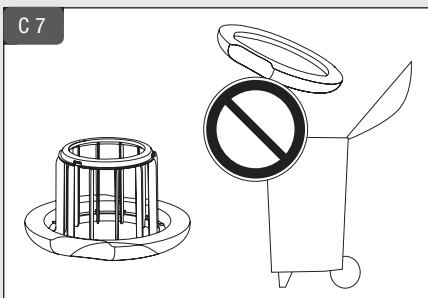
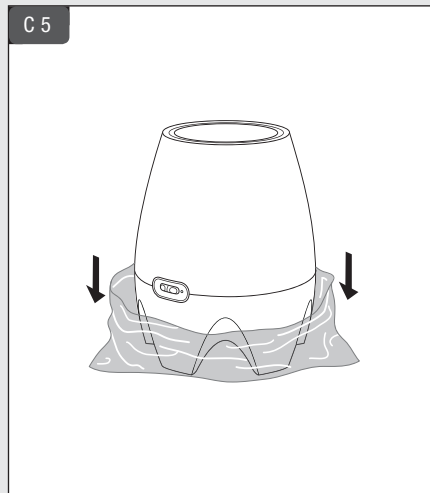
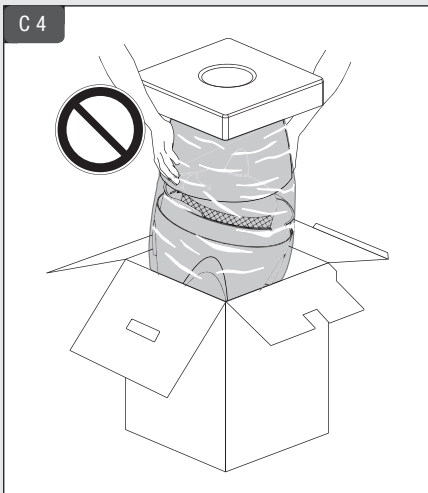
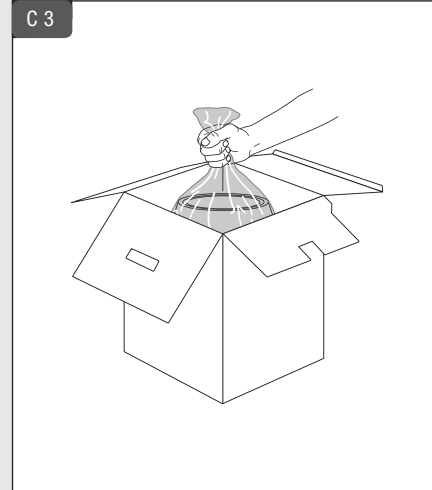
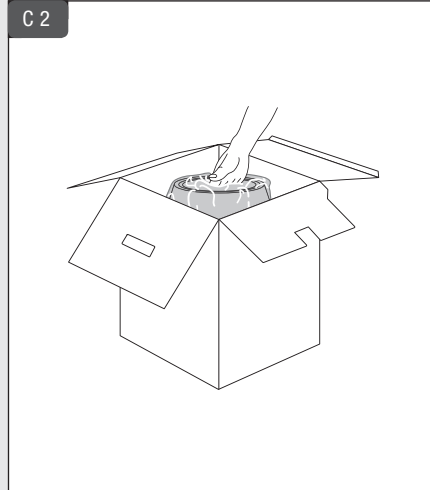
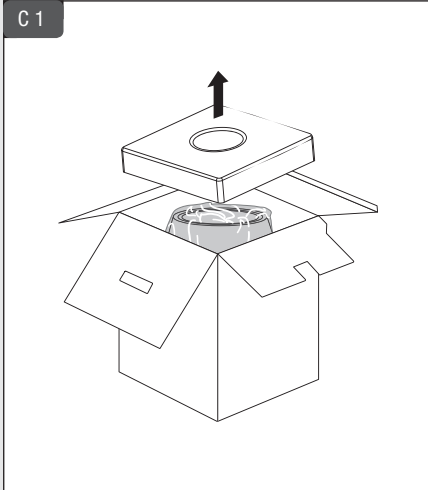


B



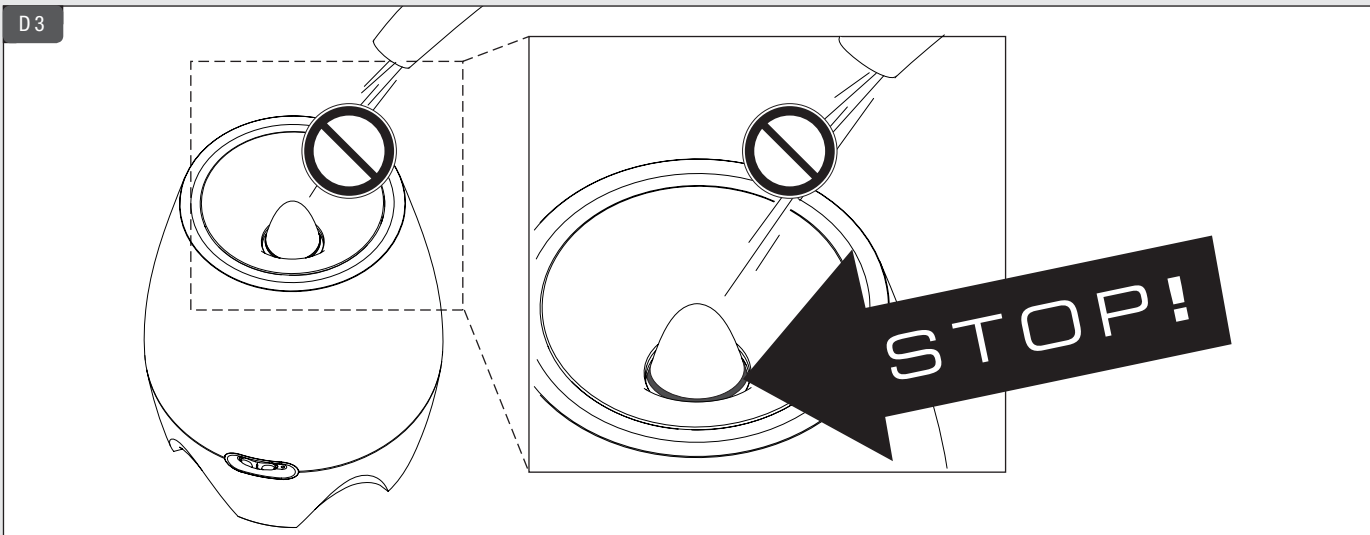
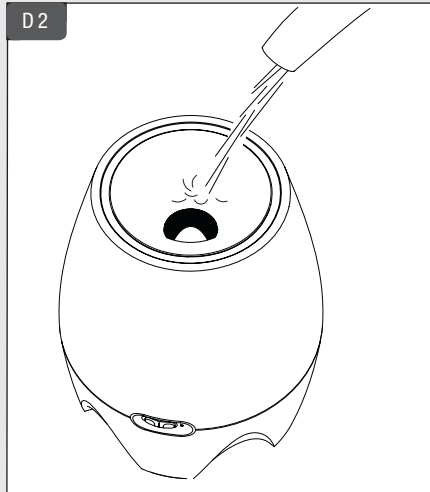
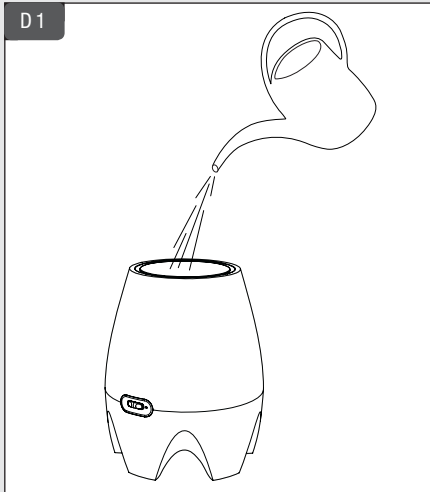


C

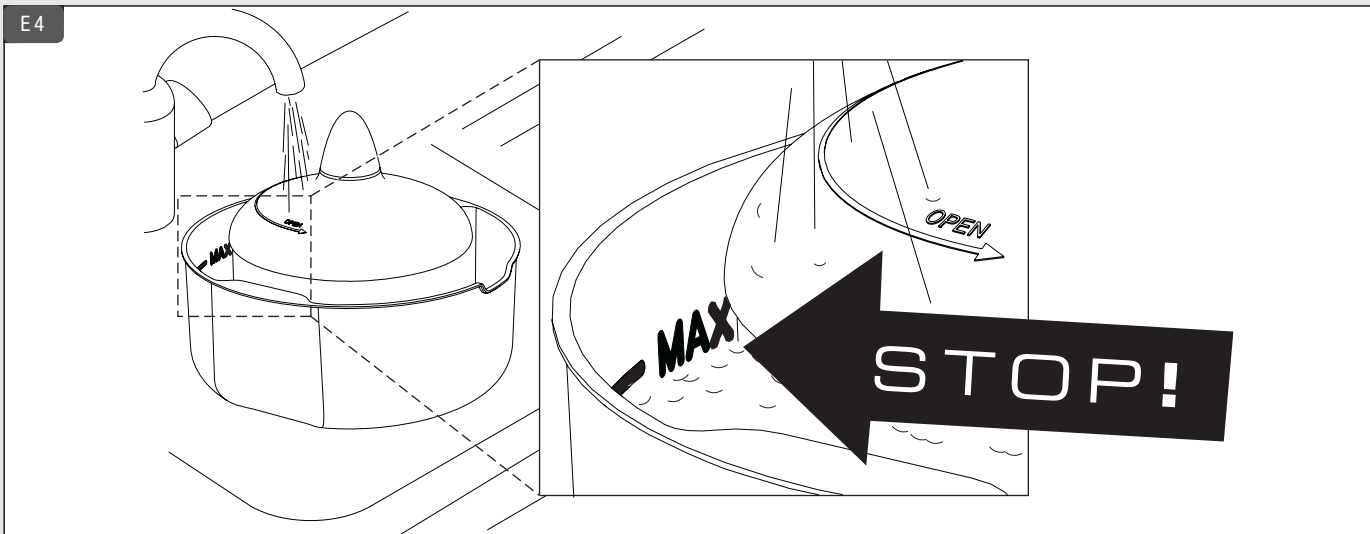
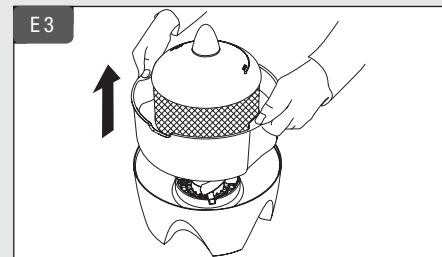
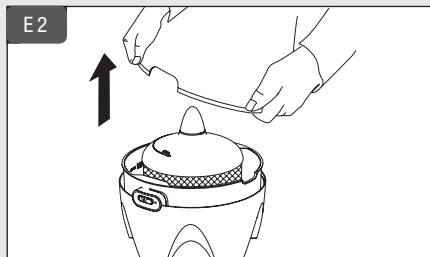
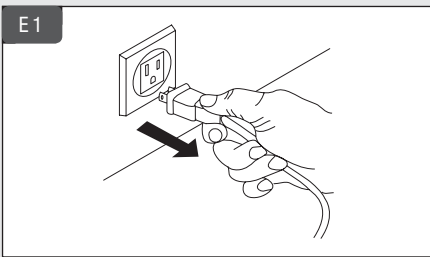




D

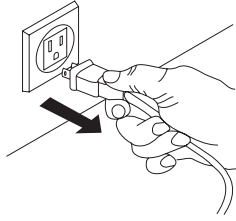


E

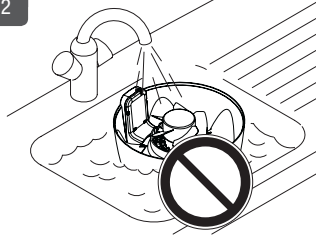




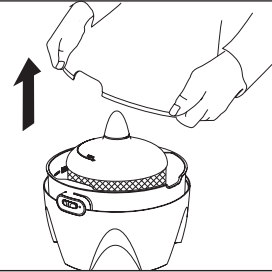
F 1



F 2

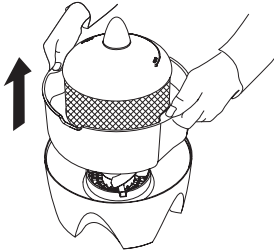


F 3

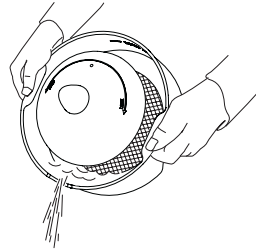


F

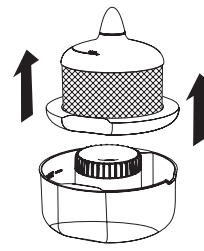
F 4



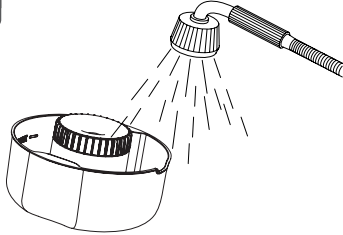
F 5



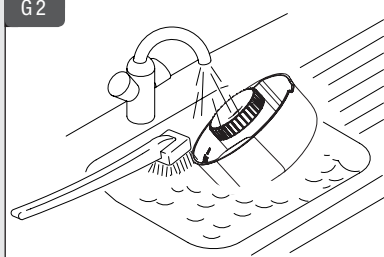
F 6



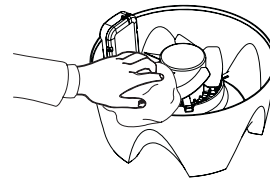
G 1



G 2

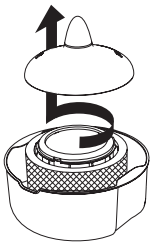


G 3

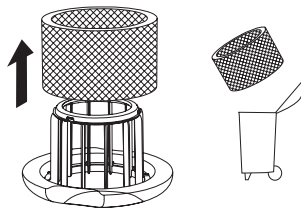


G

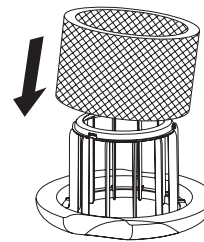
H 1



H 2

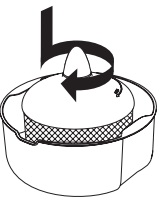


H 3



H

H 4





Thank you for choosing an AIR-O-SWISS Evaporator!

Additional information about this product can be found at www.airoswiss.ch

Благодарим вас за покупку увлажнителя AIR-O-SWISS!

С дополнительной информацией по этому изделию можно ознакомиться на сайте
www.airoswiss.net

Dziękujemy bardzo, że zdecydowali się Państwo na zakup urządzenia ewaporacyjnego AIR-O-SWISS!

Więcej informacji o tym produkcie znajdą Państwo na stronie www.airoswiss.net

Děkujeme, že jste se rozhodli pro zvlhčovač vzduchu AIR-O-SWISS!

Podrobné informace o tomto výrobku najdete na www.airoswiss.net

Zahvaljujemo se vam, da ste se odločili za vlažilnik AIR-O-SWISS!

Dodatne informacije o tem izdelku najdete na spletnem mestu www.airoswiss.net.

Ďakujeme, že ste sa rozhodli pre zvlhčovač AIR-O-SWISS!

Rozsiahlejšie informácie k tomuto výrobku nájdete na www.airoswiss.net

Najljepša hvala što ste se odlučili za AIR-O-SWISS ovlaživač zraka!

Daljnje informacije o ovom proizvodu naći ćete na stranici www.airoswiss.net

Köszönjük, hogy az AIR-O-SWISS párologtatót választotta!

A termékkel kapcsolatosan további információkat a www.airoswiss.net oldalon talál.

Liels paldies, ka Jūs esat izvēlējies/-usies AIR-O-SWISS gaisa mitrinātāju!

Papildu informāciju par šo izstrādājumu atradīsiet www.airoswiss.net

Děkujeme, kad Jūs nusprendėte įsigyti AIR-O-SWISS garintuvą!

Kitą informaciją apie šį produktą rasite internetiniame puslapyje www.airoswiss.net

Täname Teid, et otsustasite AIR-O-SWISS aurusti kasuks!

Edasist informatsiooni leiate käesoleva toote kohta aadressilt www.airoswiss.net