

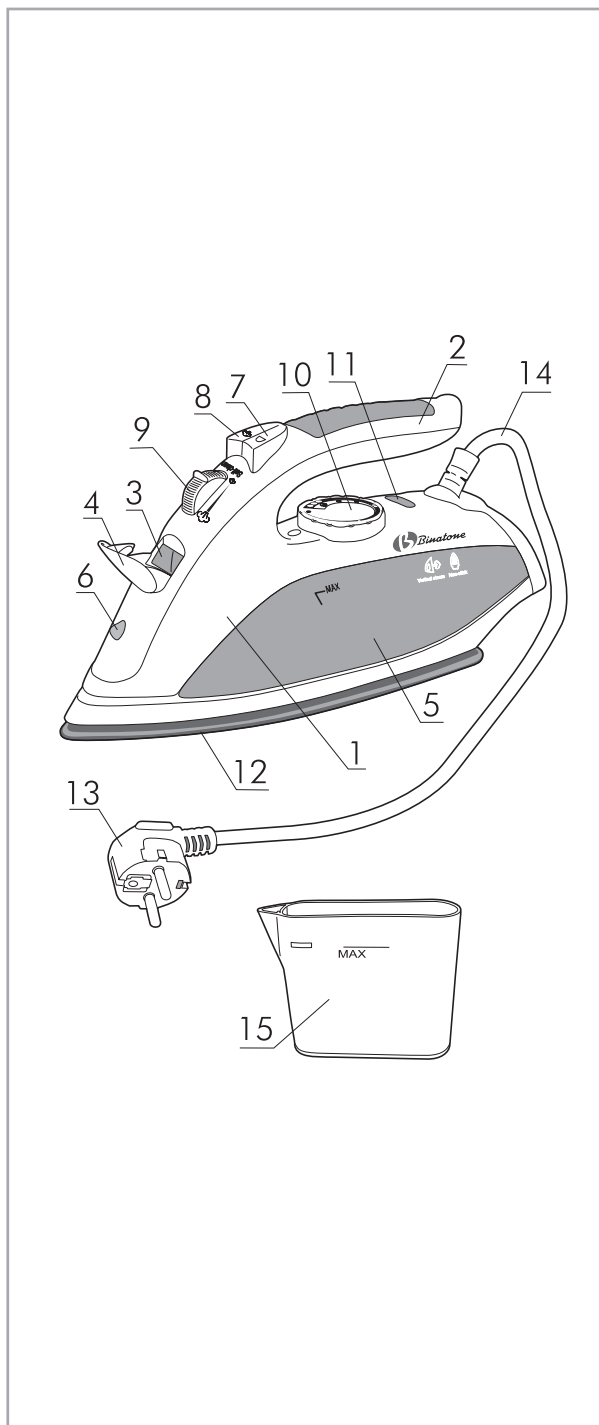


Instruction Manual  
SI-2500, SI-2510



Steam Iron

Steam Iron SI-2500, SI-2510



ENGLISH ..... 4

ENGLISH

FRANÇAIS ..... 10

FRANÇAIS

РУССКИЙ ..... 18

РУССКИЙ

УКРАЇНСЬКА ..... 26

УКРАЇНСЬКА

## Steam Iron SI-2500, SI-2510

Please read the safety instructions carefully before using this appliance. **Please retain the instructions for future reference.**

### SAFETY MEASURES



When using your appliance, the following basic safety precautions should always be followed:

- ▶ Before using for the first time, check that the appliance voltage is the same as your local supply.
- ▶ Only use the appliance for the purposes stipulated by the instructions.
- ▶ Only use attachments supplied with the equipment.
- ▶ To avoid electric shocks, **do not immerse the appliance, plug or power cord in water or any other liquids.** Do not place the appliance where it could come into contact with water or other liquids. If the appliance comes in contact with water, immediately disconnect it from the mains. Do not use the machine again until it has been serviced by **an authorized service center.**
- ▶ Do not let children use the appliance without supervision.
- ▶ **If the power cord plug does not fit to your wall socket, consult a qualified electrician.**
- ▶ **Use of various adapters may result in damage to the appliance and termination of warranty.**
- ▶ Always supervise the equipment while in use.
- ▶ To avoid a circuit overload, do not operate another high voltage equipment on the same circuit.
- ▶ **Always unplug before moving the appliance from one place to another, cleaning and storing.**
- ▶ Never pull the cord to disconnect the appliance, instead grasp the plug and pull it to disconnect.
- ▶ Do not allow the cord or the machine itself to come in contact with hot surfaces.
- ▶ Position the equipment and the cord so that nobody can accidentally overturn the equipment.
- ▶ Do not use the appliance if it has been dropped, or it has a damaged power cord or plug. Do not modify or repair the machine yourself.
- ▶ Do not dismantle the appliance as improper assembly might result in an electric shock during the subsequent use of the equipment. **Repairs should only be done by authorized service centers.**
- ▶ Do not use the appliance if flammable gases might be present in the air.
- ▶ This equipment is intended for household use only, not for commercial or industrial use.
- ▶ Please follow all the requirements of this guide.

## SPECIAL SAFETY MEASURES

ENGLISH



- ▶ Do not leave the iron unattended when it is connected to a mains supply outlet. Always switch the iron off even when you leave the room for short periods of time.
- ▶ Do not leave the hot iron in a horizontal position: place it upright on a heat resistant surface.
- ▶ The iron gets very hot when in operation: any skin contact with metal surfaces, vapor or water may result in burns.
- ▶ During operation of the appliance keep children away from it especially when steam ironing.
- ▶ Never iron or steam iron articles being worn by a person.
- ▶ Avoid any contact between the sole plate and the plastic fittings of an article: buttons, zippers, labels, etc.
- ▶ Always disconnect the iron from the mains supply when filling or draining the water tank.
- ▶ Store the iron in a vertical position to avoid damaging the sole plate.
- ▶ The iron should always be connected to a grounded main electricity supply.

## DESCRIPTION OF COMPONENTS

1. Casing
2. Non-slip handle
3. Water inlet opening
4. Water tank cover
5. Water tank with maximum limit mark
6. Spray nozzle
7. Spray button
8. Burst of steam button (turbo steam, burst of steam in a vertical position)
9. Steam control knob
10. Temperature control knob
11. Operation indicator
12. Iron sole plate
13. Power plug
14. Power cord
15. Measuring jug



## BEFORE USE



- ▶ Remove all packaging from the appliance.
- ▶ Turn the steam control knob (9) into the "0" position, and the temperature control knob (10) — into the "Min" position.
- ▶ If you intend to iron with spray or steam, push the cover (4) up and fill the tank (5) with water through the opening (3). Use the measuring jug (15) for convenience and ease.

*Note: If your area has hard water, we recommend you use filtered or bottled water.*

*Attention: Always disconnect the iron from the electricity mains supply prior to filling the tank (5). Do not overfill the tank (see the "Max" mark on the tank (5)). Do not fill the tank (5) with other liquids.*

- ▶ Prior to first use iron a clean old piece of cotton cloth to make sure the sole plate and the water tank are absolutely clean (see subsection "Steam ironing").

*Note: Light smoke may emit during the first use of the appliance: it is a normal occurrence that will soon disappear.*

## INSTRUCTIONS FOR USE



1. Place the iron into a vertical position.
2. Insert the power plug (13) into the mains supply outlet.
3. Turn the temperature control knob (10) to set the temperature recommended by the manufacturer of the textile article (usually indicated on the article's label).

*Note: In case the manufacturer's recommendations are missed, select the temperature setting, which corresponds to the type of the cloth to be ironed (see section "Useful advice").*

4. The operation indicator (11) will light up to indicate that the iron is being heated to the set temperature level. When the set temperature level is reached, the light indicator (11) will turn off.

*Note: During operation of the appliance the light indicator will light up and turn off periodically; this is normal and not a malfunction.*

### **Steam ironing**

Dry ironing can be used at any temperature setting. To do this the steam control knob (9) must be put into the "0" position. If you intend to use the steam function, allow the iron to heat to the required temperature level then put the control knob (9) into the required position.

*Attention: Application of the steam ironing function is impossible at "●" temperature setting. If the temperature is insufficient to generate steam, water will start dripping from the sole plate. To avoid this, always put the steam control knob (9) into the "0" position prior to ironing at low temperatures.*

### **Turbo steam**

To ease ironing of dense cotton, linen and upholstery articles use the steam burst button (8): engagement of the button (8) during the ironing process generates an extra burst of steam from the sole plate to help remove stubborn creases.

### Burst of steam in a vertical position

This function helps to freshen the appearance of curtains, jackets, coats, etc. To use this function, take the following steps:

- ▶ Follow instructions in paragraph 1-4 of the section "Operation instructions". While selecting the temperature setting, put the temperature control knob **(10)** into the "Max" position.
- ▶ While holding the iron in a vertical position, aim its sole plate towards the articles to be ironed and push the steam burst button **(8)** to produce a directional strong burst of steam from the sole plate. Push the button several times with 5-7 seconds intervals until the article is fully refreshed. If during the process your water tank **(5)** runs out of water, disconnect the appliance from the mains outlet, wait till it cools down, refill the tank and plug the appliance back into the power supply and continue the process.

### Spray

Using the water spray **(7)** will help when ironing details of the article (cuffs, trimmings, plackets, etc) or clothes, which demand "●" (low temperature) ironing, when steam ironing is not possible. Push the button several times to moisten the material.

5. When you have finished cleaning or ironing, do not forget to switch the iron off by putting the steam control knob **(9)** into the "0" position, the temperature control knob **(10)** — into the "Min" position and unplugging the appliance from the mains supply outlet.

## CARE AND MAINTENANCE



### Cleaning of the sole plate

- ▶ The scale on the sole plate can be removed with a rough cotton cloth dampened with a vinegar solution.
- ▶ Do not use any abrasive substances and materials to clean the sole plate.

### Cleaning of internal parts of the appliance

In areas with hard water it is recommended that you regularly remove scale from the appliance to maintain it in good working order. Excess lime scale may result in damage or malfunction of your product.

If in your area the water is soft and you have average amounts of clothes to be ironed then we recommend you to de-scale every 6 months. If the water in your area is very hard or if you iron frequently, then we recommend you de-scale once a month.

Your iron has a self-cleaning function, which allows you to clean the internal parts of the appliance from scale or dust. To use this function perform the following procedure:

1. Set the steam control knob **(9)** into the "0" position.
2. Fill the tank **(5)** with water to the "Max" level.
3. Place the iron in a vertical position and plug it into the mains supply outlet.
4. Set the temperature control knob **(10)** into the "Max" position. The light indicator **(11)** will light up showing that the iron is being heated to the desired temperature.
5. When the iron reaches the maximum temperature, the light indicator **(11)** will go out.
6. Whilst holding the appliance horizontally over a sink, set the steam control knob **(9)** into the "Self-Clean" position. Hot steam will

discharge from the sole plate (**12**) removing the scale and dust. If the blast of steam becomes weaker, set the control knob (**9**) into the "0" position and wait for 12-15 seconds until the iron gets hot again. Then once again set the control knob into the "Self-clean" position.

7. When the water tank (**5**) is completely empty, set the steam control knob (**9**) into the "0" position.
8. Put the appliance into a vertical position and re-heat the iron.
9. To complete the cleaning process, iron a piece of a clean old cotton cloth in order to clean the sole plate (**12**) of any remaining dust and scale and to evaporate the remaining water. When you have finished ironing, always switch the appliance off and disconnect from the electrical supply.

### Storage

Before storing the iron, make sure it is disconnected from the mains supply outlet and is completely cooled down. Set the temperature control knob into the "Min" position and the steam control knob into the "0" position. Drain the remaining water from the tank (**5**) by opening the cover (**4**) and holding the iron upside down over the sink. Store the appliance in the upright standing position.

## USEFUL TIPS



### Selection of temperature settings

- ▶ Before ironing, we recommend that you organize your clothes, into the types of material and the recommended temperature settings.
- ▶ We recommend that you start ironing, using the lower temperature settings first: the appliance gets hot quicker than it cools down.
- ▶ When ironing articles made with combinations of fibers, start with the temperature recommended for the most delicate material first (for example, to iron a cloth made of cotton and polyester select the temperature recommended for ironing polyester first).
- ▶ If the manufacturer's label, which gives the recommended

Fabric type	Temperature control settings	Steam ironing
Acrylic Polypropylene Polyethane	•	No
Acetate Triacetate Polyester Polyamide Nylon Viscose Rayon	••	Yes
Silk	••	Not recommended
Wool	••	Yes
Cotton	•••	Yes
Linen	•••	Yes



temperature, is missing and the type of material is known, follow the recommendations below.

- ▶ If you do not know the fabric type, find a place on the article which will not be seen and test iron it to select the appropriate temperature, start with the minimum setting.

### Ironing of selected fabrics

- ▶ Do not use the water spray button (7) while ironing silk articles: drops of water leave spots on silk garments.
- ▶ Wool, velour, velvet and similar pile fabrics must be ironed on the inside.
- ▶ To prevent shiny marks we recommend that you iron woolen articles through a thin cotton cloth, set the steam control knob into the maximum position.

## DISPOSAL



The appliance should be disposed of in accordance with waste disposal regulations in your country and with the least damage to the environment.

Only ecologically safe materials are used in the packaging of our products and the cardboard and paper can be disposed of with normal paper waste.

## AFTER-SALES SERVICE



If your appliance does not operate at all or operates poorly, call an authorized service center for help or repairs.

The warranty does not cover the following:

- ▶ Non-observance of the above safety measures and operation instructions.
- ▶ Commercial use (use outside the scope of personal household needs).
- ▶ Plugging into a mains socket with a voltage different from the voltage on the appliance rating plate.
- ▶ Improper care (**filling with liquids other than water**, ingress of liquid, dust, insects, and other foreign items and substances inside the appliance).
- ▶ Use of excessive force during appliance operation or other damages (mechanical damages resulting from incorrect use, shocks or dropping of the appliance).
- ▶ Unauthorized repairs or replacement of the appliance parts performed by an unauthorized person or service center.
- ▶ Scale deposit on the appliance regardless of the use of water.
- ▶ Accidents, such as lightning strike, flood, fire and other acts of God.

Features may be changed by Binatone without any notice.

Warranty details are set out in the warranty card provided with the product.

**Exploitation period:** 3 years after the day of purchase.

**Manufacture:** Binatone Industries Ltd, Great Britain, Vitabiotics House, 1 Apsley Way, Staples Corner, London, NW2 7HF, UK.

## Le fer à repasser avec la formation du vapeur SI-2500, SI-2510

Lisez attentivement cette instruction avant le premier usage pour prendre connaissance du fonctionnement de l'appareil. **Gardez l'instruction pour s'y référer ultérieurement.**

### MESURES DE SECURITE



En exploitant l'appareil, respectez toujours les mesures de sécurité suivantes:

- ▶ Avant le premier usage, assurez-vous que la tension indiquée sur l'appareil correspond à la tension du réseau électrique dans votre maison.
- ▶ Utilisez l'appareil seulement à des fins indiquées dans cette instruction.
- ▶ Utilisez seulement les dispositifs qui font partie de la garniture de l'appareil.
- ▶ Pour éviter un choc électrique, **ne pas plonger l'appareil, la fiche ou le câble dans l'eau ou dans un autre liquide.** Installez l'appareil dans un endroit où il ne peut pas tomber dans l'eau ou dans un autre liquide. Si l'appareil a été accidentellement mouillé, débranchez-le du réseau immédiatement. N'utilisez pas l'appareil qui est tombé dans l'eau. Portez-le dans un centre de maintien.
- ▶ Ne pas laisser les enfants manier l'appareil sans contrôle des adultes.
- ▶ **Si la fiche mâle de l'appareil ne coïncide pas avec votre prise selon sa structure, consultez auprès de l'expert.**
- ▶ **L'utilisation de différents raccords peut conduire à une panne de l'appareil et la cessation des garanties.**
- ▶ Ne pas laisser l'appareil branché sur le réseau sans surveillance.
- ▶ Pour éviter la surcharge du réseau électrique, ne pas brancher un autre appareil de haute puissance au même réseau que votre appareil.
- ▶ **Déconnectez l'appareil du réseau avant le déplacement d'un endroit à l'autre et avant le nettoyage et la conservation.**
- ▶ Ne tirez jamais sur le câble pour déconnecter l'appareil du réseau ; prenez la fiche et faites-la sortir de la prise de courant.
- ▶ Éviter le contact du câble ou de l'appareil avec des surfaces chauffées.
- ▶ Placer l'appareil et le câble de façon à éviter le basculement accidentel.
- ▶ Ne pas utiliser l'appareil si le câble ou la fiche de contact est endommagé. N'essayez pas de réparer l'appareil vous-même. Le remplacement du câble électrique et de la fiche de contact doit être effectué par un centre de maintien agréé.
- ▶ Ne démontez jamais l'appareil vous-même ; l'assemblage incorrect peut résulter en choc électrique pendant l'usage ultérieur de l'appareil. **Tous les travaux de réparation doivent être effectués seulement par un centre de service agréé.**
- ▶ Ne pas utiliser l'appareil dans des locaux où l'air peut contenir des vapeurs des gaz inflammables.
- ▶ Cet appareil est destiné à l'usage personnel et n'est pas destiné à l'usage commercial et industriel.
- ▶ Respectez toutes les règles de la présente instruction.

## MESURES SPECIALES DE SECURITE



- ▶ Ne pas laisser le fer allumé sans surveillance. Débranchez toujours le fer à repasser, même si vous quittez le local où vous repassez pour un moment très bref.
- ▶ Ne laissez pas le fer à repasser chaud en position horizontale: mettez-le sur les talons d'appui.
- ▶ Lors de fonctionnement, le fer à repasser chauffe: le contact avec les surfaces métalliques, la vapeur ou l'eau du fer peut provoquer une brûlure.
- ▶ Lors de fonctionnement du fer ne pas admettre les enfants à proximité de l'appareil, surtout quand vous utilisez le mode vapeur.
- ▶ Ne jamais repasser ou passer au vapeur les vêtements sur une personne.
- ▶ Evitez le contact de la semelle chaude du fer à repasser avec des accessoires en plastique du vêtement: boutons, fermetures éclair, motifs, etc.
- ▶ Déconnectez toujours le fer à repasser du réseau avant de remplir ou vider le réservoir d'eau.
- ▶ Gardez le fer à repasser en position verticale pour éviter l'endommagement de la semelle.
- ▶ Connecter le fer seulement à une prise dotée de contact de mise à la terre (mise à zéro).

FRANÇAIS

## DESCRIPTIF DES PIECES DE L'APPAREIL

1. Corps
2. Poignée au revêtement antidérapant
3. Ouverture de remplissage
4. Couvercle de l'ouverture de remplissage
5. Réservoir à l'eau avec marque de remplissage maximum
6. Pulvérisateur d'eau
7. Bouton de pulvérisation d'eau
8. Bouton de génération de vapeur supplémentaire (vapeur turbo, vapeur verticale)
9. Régleur de vaporisation
10. Thermorégulateur
11. Indicateur lumineux de fonctionnement
12. Semelle du fer à repasser
13. Fiche de contact
14. Câble d'alimentation
15. Verre gradué



## AVANT L'UTILISATION



- ▶ Enlevez tous les matériaux d'emballage de l'appareil.
- ▶ Mettez le régulateur de vaporisation (9) en position "0", et le thermorégulateur (10), en position "Min".
- ▶ Si vous voulez utiliser un aérosol ou la vapeur pour repasser, soulevez le couvercle (4) et remplissez le réservoir (5) d'eau du robinet via l'ouverture (3). Pour votre commodité, utilisez le verre gradué (15).

remplissez le réservoir (5) d'eau du robinet via l'ouverture (3). Pour votre commodité, utilisez le verre gradué (15).

*Note: Il est conseillé d'utiliser l'eau filtrée si l'eau dans votre région est dure.*

*Attention: Déconnectez toujours le fer du réseau avant de remplir le réservoir (5). Ne pas mettre dans le réservoir une quantité d'eau dépassant le maximum admissible (cf. la marque "Max" sur le réservoir (5)). Ne pas remplir le réservoir (5) d'autres liquides.*

- ▶ Avant la première utilisation, repassez à la vapeur un bout de tissu propre en coton pour vous assurer que la semelle et le réservoir d'eau sont absolument propres (**voir section "Repassage à la vapeur"**).

*Note: Lors de la première mise en marche, une fumée légère peut apparaître: c'est normal, et le phénomène cessera vite.*

## NOTICE D'UTILISATION



1. Mettez le fer à repasser en position verticale.
2. Enfoncez la fiche de contact (13) dans la prise de courant.
3. Tournez le thermorégulateur (10) pour installer le mode thermique recommandé par le fabricant du vêtement (normalement, est indiqué sur l'étiquette du vêtement).

*Note: En cas d'absence des recommandations du fabricant, choisissez le mode thermique correspondant au type du tissu à repasser (voir section «Conseils utiles»).*

4. L'indicateur lumineux (11) s'allumera, signalant que le fer est en train de chauffer jusqu'à la température programmée. Quand la température nécessaire est atteinte, l'indicateur lumineux (11) s'éteint.

*Note: lors de fonctionnement du fer, l'indicateur lumineux s'éteint et s'allume périodiquement: c'est normal, ceci n'est pas une défaillance.*

### Utilisation d'humidification par la vapeur

Vous pouvez repasser sans vapeur à n'importe quelle température. Le régulateur de vaporisation (9) doit être en position "0". Si vous

voulez utiliser la fonction d'humidification réglable à vapeur, après le chauffage du fer mettez le régleur (9) en position vapeur.

*Attention: Utilisation de la fonction de traitement à vapeur est impossible en mode thermique "●". Si la température n'est pas suffisamment haute pour la génération de vapeur, l'eau commence à s'écouler de la semelle. Pour l'éviter, mettez toujours le régleur de vaporisation (9) en position "0" avant de repasser à la température basse.*

### Vapeur turbo

Pour faciliter le repassage des tissus épais en coton, lin et des tissus de meubles, utilisez le bouton de génération supplémentaire de vapeur (8): pressez le bouton (8) en repassant, un jet intense de vapeur sortira de la semelle du fer, vous aidant à redresser des plis persistants.

### Traitement à vapeur en position verticale

La fonction de traitement à vapeur vertical aide à rafraîchir des rideaux, une veste, un manteau etc. Pour l'utiliser, faites ce qui suit:

- ▶ Suivez les indications des points 1 à 4 de la section "Notice d'utilisation". En choisissant le mode thermique, mettez le thermorégulateur (10) en position "Max".
- ▶ En tenant le fer à repasser en position verticale, diriger la semelle sur le vêtement à traiter et pressez le bouton de génération de vapeur supplémentaire (8). Un jet dirigé intense de vapeur sortira de la semelle. Appuyez plusieurs fois, à intervalle de 5 à 7 secondes, pour traiter complètement le vêtement. Si en cours de traitement, l'eau est épuisée dans le réservoir (5), déconnectez le fer du réseau électrique, laissez refroidir et remplissez le réservoir, ensuite, rebranchez le fer sur le réseau.

### Spray

Le bouton de pulvérisation d'eau (7) vous aidera à repasser les parties difficiles du vêtement (manchettes, volants, pattes de boutonnage etc.) et les tissus exigeant le mode température basse "●" où le traitement à vapeur est impossible. Appuyez sur ce bouton plusieurs fois pour humidifier le tissu à repasser.

5. A la fin du repassage, n'oubliez pas de déconnecter le fer en remettant le régulateur vaporisation (9) en position "0", le thermorégulateur (10), en position "Min" et sortez la fiche (13) de la prise de courant.

## ENTRETIEN ET NETTOYAGE



### Nettoyage de la semelle

- ▶ Le dépôt sur la semelle peut être éliminé à l'aide d'un tissu de coton grossier imprégné de solution aqueuse de vinaigre.
- ▶ Ne pas utiliser des produits et des matériaux abrasifs pour le nettoyage de la semelle.

### Nettoyage des parties intérieures du fer à repasser

Dans les régions où l'eau est dure, il est nécessaire de détartrer régulièrement l'appareil pour le maintenir en bon état, car le dépôt

de tartre dans l'appareil peut résulter en mauvais fonctionnement ou une panne.

La fréquence du détartrage dépend de la dureté d'eau du robinet dans votre région et de la fréquence d'utilisation de l'appareil: en moyenne, un fer à repasser nécessite un détartrage tous les six mois. Réduisez cette période jusqu'à un mois, si l'eau dans votre région est très dure ou si vous repassez souvent.

Votre fer à repasser possède la fonction auto-nettoyage. Pour détartrer les parties intérieures du fer et éliminer la poussière, faites ce qui suit:

1. Mettez le régulateur de vaporisation **(9)** en position "0".
2. Remplissez le réservoir **(5)** d'eau jusqu'à la marque "Max".
3. Mettez le fer en position verticale et connectez-le au réseau.
4. Mettez le thermostat **(10)** en position "Max". L'indicateur lumineux **(11)** s'allume, signalant que le fer est en cours de chauffage jusqu'à la température programmée.
5. En atteignant la température maximale, l'indicateur lumineux **(11)** s'éteint.
6. En tenant le fer à l'horizontale au-dessus de l'évier, mettez le régulateur de vaporisation **(9)** en position "Self-Clean" et maintenez-le en cette position. La vapeur chaude aux gouttelettes microscopiques d'eau sortant de la semelle **(12)**, éliminera le tartre et la poussière. Si le jet de vapeur commence à faiblir, mettez le régulateur **(9)** en position "0" et attendez 12 à 15 secondes jusqu'à ce que le fer chauffe de nouveau. Ensuite, remettez le régulateur en position "Self-Clean".
7. Quand le réservoir à l'eau **(5)** sera complètement vide, remettez le régulateur de vaporisation **(9)** en position "0".
8. Posez le repasseur dans la position horizontale et attendez jusqu'au moment quand il sera rechauffé de nouveau.
9. Repassez un chiffon de coton propre pour nettoyer la semelle du fer **(12)** des restes de poussière et de tartre et pour évaporer les restes d'eau. Après la fin de repassage, n'oubliez pas de débrancher le fer, en mettant le régulateur de vaporisation **(9)** en position "0", le thermostat **(10)** en position "Min" et en sortant la fiche **(13)** de la prise de courant.

### Stockage

Avant de ranger l'appareil, assurez-vous que l'appareil est déconnecté du réseau et froid. Mettez le thermostat en position "Min", et le régulateur de vaporisation, en position "0". Jetez les restes d'eau du réservoir **(5)**, ayant ouvert le couvercle **(4)** et en renversant le fer au-dessus l'évier. Gardez le fer en position verticale.

## CONSEILS UTILES



### Choix de température

- ▶ Il est conseillé de trier les vêtements en fonction des types de tissu et du mode thermique recommandé.
- ▶ Pour repasser des tissus mixtes, choisissez la température recommandée pour le matériel le moins thermorésistant (par exemple, pour repasser un tissu de mélange de coton et de polyamide, choisissez le mode thermique recommandé pour le repassage des vêtements en polyamide).
- ▶ Il est conseillé de commencer le repassage par les tissus moins thermorésistants, exigeant donc une température plus basse: le fer chauffe beaucoup plus vite qu'il ne refroidit.
- ▶ Si l'étiquette du vêtement ne porte pas de recommandations du fabricant relatives aux choix du régime thermique, mais vous connaissez la composition du tissu, utilisez le tableau si-dessous.

FRANÇAIS

Composition du tissu	Position du thermorégulateur	Mode traitement à vapeur
Acrylique Polypropylène Polyéthylène	●	Non
Acétate Triacétate Polyamide Nylon Viscose Soie artificielle	●●	Oui
Soie	●●	Déconseillé
Laine	●●	Oui
Coton	●●●	Oui
Lin	●●●	Oui

- ▶ Si vous ne connaissez pas la composition du tissu, trouvez un endroit peu voyant, et essayez de choisir le régime thermique convenable, en commençant par le minimum.

### Repassage de certains tissus

- ▶ Ne pas utiliser le bouton de pulvérisation d'eau (7) en repassant des tissus de soie: les gouttes d'eau laissent des taches sur la soie.
- ▶ Repassez de l'envers la laine pure, le velours, le velours côtelé et autres tissus à longs poils.
- ▶ Il est conseillé de repasser les vêtements en laine à travers un tissu fin de coton, avec le régulateur de propulsion de vapeur en mode maximum. Ceci aide à prévenir la brillance indésirable du tissu.

## RECYCLAGE



Appareils électroménager doit être utiliser avec le moindre tort pour l'environnement et en conformité des règles d'utilisation des déchets dans Votre région. Pour recycler l'appareil correctement, souvent il suffit de le porter dans le centre local de traitement des déchets. Pour l'emballage de nos appareils, nous utilisons uniquement les matériaux recyclables. Donc, le carton et le papier peuvent être recyclés avec d'autres déchets en papier.

## SERVICES APRES VENTE



Si votre appareil ne fonctionne pas ou fonctionne mal, adressez-vous à un centre agréé pour consultation ou réparation.

La garantie n'est pas valable dans les cas suivants:

- ▶ Non-respect des mesures de sécurité susmentionnées et des règles d'exploitation.
- ▶ Utilisation commerciale (utilisation dépassant les besoins personnels ménagers).
- ▶ Connexion au réseau à une tension différente de celle indiquée sur l'appareil.
- ▶ Mauvais maintien (pénétration des liquides, de la poussière, des insectes et d'autres corps étrangers à l'intérieur de l'appareil).
- ▶ Effort excessif pendant l'exploitation de l'appareil ou autres endommagements (défauts mécaniques survenus suite à l'exploitation incorrecte, la percussion ou la chute de l'appareil).
- ▶ Réparation ou changement des pièces de l'appareil, effectué par une personne non-autorisée ou hors du centre de service autorisé.
- ▶ Dépôts de tartre sur l'appareil, indépendamment du type d'eau utilisé.
- ▶ Accidents tels que la foudre, l'inondation, l'incendie ou autres circonstances de force majeure.



Les caractéristiques peuvent être changées par la société "Binatone" sans aucune notification préalable.

Le délai de garantie et autres pièces sont indiqués dans le ticket de garanti joint à l'appareil.

**Durée de service:** 3 ans du jour d'acquisition.

**Fabricant:** Binatone Industries Ltd, Great Britain, Vitabiotics House, 1 Apsley Way, Staples Corner, London, NW2 7HF, UK (Binatone Industries Ltd, Grande Bretagne)

## Утюг с паром SI-2500, SI-2510

Внимательно прочтите данную инструкцию перед первым использованием, чтобы ознакомиться с работой нового прибора. **Пожалуйста, сохраните инструкцию для дальнейших справок.**

### МЕРЫ БЕЗОПАСНОСТИ



Во время эксплуатации прибора всегда соблюдайте следующие меры предосторожности:

- ▶ Перед первым использованием проверьте, соответствует ли напряжение, указанное на приборе, напряжению электрической сети в Вашем доме.
- ▶ Используйте прибор только в целях, предусмотренных данной инструкцией.
- ▶ Используйте только приспособления, входящие в комплект прибора.
- ▶ Во избежание поражения электрическим током **не погружайте прибор, вилку или электрический шнур в воду или другие жидкости**. Ставьте прибор в такие места, где он не может упасть в воду или другие жидкости. При попадании воды на прибор, немедленно отключите его от сети. Не пользуйтесь прибором, упавшим в воду. Отнесите его в уполномоченный сервисный центр.
- ▶ Не допускайте детей к работе с прибором без присмотра взрослых.
- ▶ **Если штепсельная вилка прибора не совпадает по конструкции с Вашей розеткой, обратитесь за помощью к специалисту.**
- ▶ **Применение различных переходников может привести к порче прибора и прекращению гарантийных обязательств.**
- ▶ Не оставляйте включенный в сеть прибор без внимания.
- ▶ Во избежание перегрузки электрической сети не подключайте другой прибор высокой мощности к той же сети, к которой подключен ваш прибор.
- ▶ **Отсоединяйте прибор от сети перед перемещением с одного места на другое и перед чисткой и хранением.**
- ▶ Никогда не тяните за шнур при отключении прибора от сети; возьмитесь за штепсельную вилку и выньте ее из розетки.
- ▶ Не допускайте соприкосновения шнура или самого прибора с нагретыми поверхностями.
- ▶ Располагайте прибор и шнур так, чтобы никто не смог случайно задеть шнур и опрокинуть прибор.
- ▶ Не пользуйтесь прибором с поврежденным электрическим шнуром или штепсельной вилкой. Не пытайтесь отремонтировать прибор самостоятельно. Замена электрического шнура и штепсельной вилки должна производиться только в уполномоченном сервисном центре.
- ▶ Никогда не разбирайте прибор самостоятельно; неправильная сборка может привести к поражению электрическим током во время последующего использования прибора.

**Все ремонтные работы должны производиться только в уполномоченном сервисном центре.**

- ▶ Не пользуйтесь прибором в местах, где в воздухе могут содержаться пары легковоспламеняющихся газов.
- ▶ Этот прибор предназначен только для домашнего использования и не предназначен для коммерческого и промышленного использования.
- ▶ Выполняйте все требования данной инструкции.

## СПЕЦИАЛЬНЫЕ МЕРЫ БЕЗОПАСНОСТИ



- ▶ Не оставляйте включенный утюг без присмотра. Всегда выключайте утюг, даже кратковременно покидая помещение, где Вы гладите.
- ▶ Не оставляйте горячий утюг в горизонтальном положении: ставьте его на ножки.
- ▶ При работе утюг нагревается: прикосновение к металлическим поверхностям, попадание на кожу пара или воды может вызвать ожог.
- ▶ Во время работы утюга не подпускайте детей близко к прибору, особенно при использовании режима отпаривания.
- ▶ Никогда не гладьте и не отпаривайте изделия, надетые на человека.
- ▶ Не допускайте касания горячей подошвы утюга и пластиковой фурнитуры изделия: пуговиц, молний, нашивок и проч.
- ▶ Обязательно отключайте утюг от сети перед тем, как наполнить или слить остатки воды из резервуара.
- ▶ Храните утюг в вертикальном положении во избежание повреждения подошвы.
- ▶ Утюг необходимо подключать к розетке, которая имеет контакт защитного заземления (зануления).

## ОПИСАНИЕ ДЕТАЛЕЙ ПРИБОРА

1. Корпус
2. Ручка с нескользящим покрытием
3. Отверстие для заполнения водой
4. Крышка отверстия для заполнения водой
5. Резервуар для воды с отметкой максимального заполнения
6. Распылитель воды
7. Кнопка распыления воды
8. Кнопка дополнительного парообразования (турбо пар, вертикальный пар)
9. Регулятор подачи пара
10. Терморегулятор
11. Световой индикатор работы
12. Подошва утюга
13. Сетевая вилка
14. Сетевой шнур
15. Мерный стаканчик



РУССКИЙ

## ПЕРЕД ИСПОЛЬЗОВАНИЕМ



- ▶ Снимите все упаковочные материалы с прибора.
- ▶ Установите регулятор подачи пара (9) в положение «0», а терморегулятор (10) — в положение «Min».
- ▶ Если Вы собираетесь гладить с использованием спрея или пара, поднимите крышку (4) и заполните резервуар (5) водопроводной водой через отверстие (3). Для удобства воспользуйтесь мерным стаканчиком (15).

*Примечание: Рекомендуем использовать фильтрованную воду, если Вы живете в районе с высокой степенью жесткости воды.*

*Внимание: Всегда отключайте утюг от сети перед заполнением резервуара (5). Не заполняйте резервуар количеством воды, превышающим максимально допустимое (см. отметку «Max» на резервуаре (5)). Не заполняйте резервуар (5) другими жидкостями.*

- ▶ Перед первым использованием отпарьте чистый ненужный кусок хлопковой ткани, чтобы убедиться в том, что подошва и емкость для воды абсолютно чистые (см. подраздел «Глажение с паром»).

*Примечание: При первом включении может появиться легкий дымок: это нормальное явление, которое вскоре прекратится.*

## ИНСТРУКЦИЯ ПО ЭКСПЛУАТАЦИИ



1. Установите утюг в вертикальное положение.
2. Вставьте сетевую вилку (13) в розетку.
3. Поверните терморегулятор (10), установив температурный режим, рекомендованный производителем текстильного изделия (обычно указывается на ярлыке изделия).

*Примечание: Если рекомендации производителя отсутствуют, выберите температурный режим, соответствующий типу проглаживаемой ткани (см. раздел «Полезные советы»).*

4. Световой индикатор (11) загорится, показывая, что утюг нагревается до заданной температуры. При достижении заданной температуры световой индикатор (11) погаснет.

*Примечание: во время работы утюга световой индикатор периодически гаснет и загорается: это не является неисправностью.*

#### **Использование регулируемого пароувлажнения**

Глажение без пара может осуществляться при любом температурном режиме. При этом регулятор подачи пара (9) должен находиться в положении «0». Если вы хотите воспользоваться функцией регулируемого пароувлажнения, то после разогрева утюга установите регулятор (9) в желаемое положение.

*Внимание: Применение функции отпаривания невозможно при использовании температурного режима «●». Если температура недостаточно высока для образования пара, вода начнет вытекать из подошвы. Во избежание этого всегда устанавливайте регулятор подачи пара (9) в положение «0» перед глажением на низкотемпературном режиме.*

#### **Турбо пар**

Для облегчения глажения плотных хлопчатобумажных, льняных и обивочных тканей пользуйтесь кнопкой дополнительного парообразования (8): нажатие на кнопку (8) в процессе глажения приводит к выбросу из подошвы интенсивной струи пара, помогающей распрямить непослушные складки.

#### **Вертикальное отпаривание**

Функция вертикального отпаривания помогает освежить внешний вид штор, пиджака, пальто и проч. Для того, чтобы ей воспользоваться, сделайте следующее:

- ▶ Следуйте указаниям пунктов 1-4 раздела «Инструкция по эксплуатации». Выбирая температурный режим, установите терморегулятор (10) в положение «Max».
- ▶ Держа утюг вертикально, направьте его подошву на отпариваемое изделие и нажмите на кнопку дополнительного парообразования (8). Произойдет сильный направленный выброс пара из подошвы. Нажмите несколько раз, делая паузу 5-7 секунд между нажатиями, пока не отпарите изделие. Если в процессе отпаривания в резервуаре (5) закончилась вода, отсоедините утюг от сети, подождите, пока он остынет, и наполните резервуар, а затем снова включите утюг в сеть.

#### **Спрей**

Кнопка распыления воды (7) поможет отгладить труднодоступные детали изделий (манжеты, оборки, планки и проч.) и ткани, требующие использования низкотемпературного режима «●», где отпаривание невозможно. Нажмите ее несколько раз для увлажнения отглаживаемого материала.

5. После окончания глажения не забудьте отключить утюг, переведя регулятор подачи пара (9) в положение «0», терморегулятор (10) — в положение «Min» и вынув вилку (13) из розетки.

## УХОД И ЧИСТКА



### Чистка подошвы

► Налет на подошве может быть удален грубой хлопчатобумажной тканью, смоченной раствором уксуса с водой.

► Не используйте для чистки подошвы абразивные материалы и вещества.

### Чистка внутренних частей утюга

В районах с высокой степенью жесткости воды необходимо регулярно удалять накипь из прибора для поддержания его в хорошем состоянии, поскольку избыток накипи в приборе может привести к его неправильной работе или поломке.

Частота очистки от накипи зависит от степени жесткости водопроводной воды в вашем регионе и от частоты использования прибора: в среднем утюгу требуется очистка раз в полгода. Уменьшите это время до месяца, если вода в Вашем районе очень жесткая, или если Вы часто гладите.

Ваш утюг оснащен функцией самоочистки. Для очистки внутренних частей утюга от накипи и пыли проделайте следующее:

1. Установите регулятор подачи пара (**9**) в положение «0».
2. Наполните резервуар (**5**) водой до отметки «Max».
3. Поставьте утюг вертикально и включите его в сеть.
4. Установите терморегулятор (**10**) в положение «Max». Световой индикатор (**11**) загорится, показывая, что утюг нагревается до заданной температуры.
5. При достижении максимальной температуры световой индикатор (**11**) погаснет.
6. Держа утюг горизонтально над раковиной, переведите регулятор подачи пара (**9**) в положение «Self-Clean» и удерживайте его в этом положении. Горячий пар с микроскопическими каплями воды, выходящий из подошвы (**12**), удалит накипь и пыль. Если струя пара с водой начнет ослабевать, переведите регулятор (**9**) в положение «0» и подождите 12-15 секунд, пока утюг снова нагреется. Затем снова переведите регулятор в положение «Self-Clean».
7. Когда резервуар для воды (**5**) полностью опустеет, переведите регулятор подачи пара (**9**) в положение «0».
8. Поставьте утюг вертикально и подождите, пока он снова нагреется.
9. Прогладьте кусок чистой ненужной хлопчатобумажной ткани для того, чтобы подошва утюга (**12**) очистилась от остатков пыли и накипи, а остатки воды испарились. После окончания глажения не забудьте отключить утюг, переведя регулятор подачи пара (**9**) в положение «0», терморегулятор (**10**) в положение «Min» и вынув вилку (**13**) из розетки.

### Хранение

Перед тем, как убрать прибор на хранение, убедитесь, что прибор отключен от сети и остыл. Установите терморегулятор в положение «Min», а регулятор подачи пара — в положение «0». Слейте остатки воды из резервуара (**5**), открыв крышку (**4**) и перевернув утюг над раковиной. Храните утюг в вертикальном положении.

## ПОЛЕЗНЫЕ СОВЕТЫ



### Выбор температурного режима

- ▶ Рекомендуем Вам рассортировать белье перед глажением в соответствии с составом ткани и рекомендуемым температурным режимом.
- ▶ Для глажения смесовой ткани выбирайте тот температурный режим, который рекомендован для наименее термостойкого материала (например, при глажении ткани, в состав которой входит хлопок и полиамид, выберите температурный режим, рекомендованный для глажения изделий из полиамида).
- ▶ Рекомендуем начинать глажение с наименее термостойких тканей и, соответственно, с наименьшего температурного режима: утюг нагревается гораздо быстрее, чем остывает.
- ▶ В случае если на ярлыке изделия отсутствуют рекомендации производителя по выбору температурного режима глажения, но состав ткани Вам известен, воспользуйтесь нижеприведенной таблицей.

Состав ткани	Положение терморегулятора	Режим отпаривания
Акрил Полипропилен Полиэтан	●	Нет
Ацетат Триацетат Полиэстер Полиамид Нейлон Вискоза Искусственный шелк	●●	Да
Шелк	●●	Не рекомендуется
Шерсть	●●	Да
Хлопок	●●●	Да
Лён	●●●	Да

- ▶ Если Вы не знаете состав изделия, найдите на изделии место, незаметное при носке, и попробуйте подобрать подходящий для глажения температурный режим, начиная с минимального.

### Глажение отдельных видов тканей

- ▶ Не используйте кнопку распыления воды (7) при глажении шелка: капли воды оставляют пятна на шелковых тканях.
- ▶ Чистую шерсть, бархат, вельвет и прочие ворсовые ткани необходимо гладить с изнанки.
- ▶ Рекомендуем гладить шерстяные изделия через тонкую хлопчатобумажную ткань и установив регулятор подачи пара на максимальный режим. Это предотвратит появление нежелательного блеска ткани.

РУССКИЙ

## УТИЛИЗАЦИЯ



Электробытовой прибор должен быть утилизирован с наименьшим вредом для окружающей среды и в соответствии с правилами по утилизации отходов в Вашем регионе. Для правильной утилизации прибора достаточно отнести его в местный центр переработки вторичного сырья. Для упаковки производимых нами приборов используются только экологически чистые материалы. Поэтому картон и бумагу можно утилизировать вместе с бумажными отходами.

## ПОСЛЕПРОДАЖНОЕ ОБСЛУЖИВАНИЕ



Если Ваш прибор не работает или работает плохо, обратитесь в уполномоченный сервисный центр за консультацией или ремонтом.

**Гарантия не распространяется в следующих случаях:**

- ▶ При несоблюдении описанных выше мер безопасности и инструкции по эксплуатации.
- ▶ При использовании в коммерческих целях (использовании, выходящем за рамки личных бытовых нужд).
- ▶ При подключении в сеть с напряжением, отличным от указанного на приборе.
- ▶ При ненадлежащем уходе (проникновении жидкости, пыли, насекомых и др. посторонних предметов и веществ внутрь прибора).
- ▶ При применении излишних усилий во время эксплуатации прибора или повреждениях другого рода (механических повреждениях в результате неправильной эксплуатации, удара или падения прибора).
- ▶ При несанкционированном ремонте или замене частей прибора, осуществленных не уполномоченным на то лицом или сервисным центром.
- ▶ При несчастных случаях, как то: удар молнии, затопление, пожар и иные форс-мажорные обстоятельства.



Характеристики могут быть изменены компанией Binatone без какого-либо уведомления.

Гарантийный срок и другие детали указаны в гарантийном талоне, который прилагается к прибору.

**Срок службы:** 3 года со дня покупки.

**Изготовитель:** Binatone Industries Ltd, Great Britain, Vitabiotics House, 1 Apsley Way, Staples Corner, London, NW2 7HF, UK (Бинатон Индастриз Лтд, Великобритания)

Сделано в КНР для Binatone Industries Ltd, Великобритания

## Праска з паром SI-2500, SI-2510

Уважно прочитайте дану інструкцію перед першим використанням, щоб ознайомитися з роботою нового приладу. **Будь ласка, збережіть інструкцію для подальших довідок.**

### ПРАВИЛА БЕЗПЕКИ



Під час експлуатації приладу завжди дотримуйтесь наступних правил безпеки:

- ▶ Перед першим використанням перевірте, чи відповідає напруга, зазначена на приладі, напрузі електричної мережі у Вашому будинку.
- ▶ Використовуйте прилад тільки з метою, передбаченою даною інструкцією.
- ▶ Використовуйте тільки пристосування, що входять у комплект приладу.
- ▶ Щоб уникнути поразки електричним струмом, **не занурюйте прилад або вилку електричного шнура у воду чи інші види рідини.** Ставте прилад у такі місця, де він не може впасти у воду та інші види рідини. При потраплянні води на прилад, негайно відключіть його від мережі. Не користуйтеся приладом, що упав у воду, віднесіть його до уповноваженого сервісного центру.
- ▶ Не допускайте дітей до роботи з приладом без нагляду дорослих.
- ▶ **Якщо штепсельна вилка приладу не співпадає за своєю конструкцією з Вашою розеткою, зверніться за допомогою до фахівця.**
- ▶ **Використання різних перехідників може призвести до псування приладу та припиненню гарантійних зобов'язань.**
- ▶ Не залишайте без уваги увімкнений до мережі прилад.
- ▶ Щоб уникнути перевантаження електричної мережі, не підключайте інший прилад високої потужності до тієї ж самої мережі, до якої підключений ваш прилад.
- ▶ **Від'єднуйте прилад від мережі перед переміщенням з одного місця на інше та перед чищенням і зберіганням.**
- ▶ Ніколи не тягніть за шнур якщо Ви відключаєте прилад від мережі; візьміться за штепсельну вилку та вийміть її з розетки.
- ▶ Не допускайте торкання шнура чи самого приладу з нагрітими поверхнями.
- ▶ Розташовуйте прилад і шнур так, щоб ніхто не зміг випадково зачепити шнур та перекинути прилад.
- ▶ Не користуйтеся приладом з ушкодженим електричним шнуром або штепсельною вилкою. Не намагайтеся відремонтувати прилад самостійно. Заміна електричного шнура та штепсельної вилки повинна виконуватися тільки в сервісному центрі.
- ▶ Ніколи не розбирайте прилад самостійно; неправильне складання може призвести до поразки електричним струмом під час наступного використання приладу. **Усі ремонтні роботи повинні виконуватися тільки в сервісному центрі.**

- ▶ Не користуйтеся приладом у місцях, де в повітрі можуть міститися пари легкозаймистих газів.
- ▶ Цей прилад призначено тільки для домашнього використання і не призначений для комерційного та промислового використання.
- ▶ Виконуйте всі вимоги даної інструкції.

## СПЕЦІАЛЬНІ ПРАВИЛА БЕЗПЕКИ



- ▶ Не залишайте включену праску без догляду. Завжди вимкняйте праску, навіть тоді, якщо ви на короткий час залишаєте приміщення де Ви гладите.
- ▶ Не залишайте гарячу праску в горизонтальному положенні: ставте її на ніжки.
- ▶ Під час роботи праска нагрівається: дотик до металевих поверхонь, потрапляння на шкіру пари або води може викликати опік.
- ▶ Під час роботи праски не підпускайте дітей близько до приладу, особливо при використанні режиму відпарювання.
- ▶ Ніколи не гладьте і не відпарюйте вироби, надягнуті на людину.
- ▶ Запобігайте торканню гарячої підшови праски і пластикової фурнітури виробу: гудзиків, блискавок, нашивок та інших речей.
- ▶ Обов'язково відключайте праску від мережі перед тим, як наповнити або злити залишки води з резервуара.
- ▶ Зберігайте праску у вертикальному положенні щоб уникнути ушкодження підшови.
- ▶ Праску необхідно підключати до розетки, що має контакт захисного заземлення (занулення).

## ОПИС ДЕТАЛЕЙ ПРИЛАДУ

1. Корпус
2. Ручка з нековзним покриттям
3. Отвір для заповнення водою
4. Кришка отвору для заповнення водою
5. Резервуар для води з позначкою максимального заповнення
6. Розпилювач води
7. Кнопка розпилення води
8. Кнопка додаткового паротворення (турбо пара, вертикальна пара)
9. Регулятор подачі пари
10. Терморегулятор
11. Світловий індикатор роботи
12. Підшов праски
13. Вилка мережна
14. Шнур мережний
15. Мірна склянка



УКРАЇНСЬКА

## ПЕРЕД ВИКОРИСТАННЯМ



- ▶ Зніміть усі пакувальні матеріали з приладу.
- ▶ Установіть регулятор подачі пари (9) у положення «0», а терморегулятор (10) — у положення «Min».
- ▶ Якщо Ви збираєтеся гладити з використанням спрею або пари, підніміть кришку (4) та заповніть резервуар (5) водопровідною водою через отвір (3). Для зручності скористайтеся мірною склянкою (15).

*Примітка: Рекомендуємо використовувати фільтровану воду, якщо Ви живете в районі з високим рівнем жорсткості води.*

*Увага: Завжди відключайте праску від мережі перед заповненням резервуара (5). Не заповнюйте резервуар кількістю води, що перевищує максимальну припустиму (див. на позначку «Max» на резервуарі (5)). Не заповнюйте резервуар (5) іншими рідинами.*

- ▶ Перед першим використанням відпарте чистий непотрібний шматок бавовняної тканини, щоб переконатися в тім, що підшошва і емність для води абсолютно чисті (див. підрозділ «Прасування під паром»).

*Примітка: Під час першого вмикання може з'явитися легкий димок: це нормальне явище, що незабаром припиниться.*

## ІНСТРУКЦІЯ З ЕКСПЛУАТАЦІЇ



1. Установіть праску у вертикальне положення.
2. Увімкніть мережну вилку (13) до розетки.
3. Поверніть терморегулятор (10), виставивши температурний режим, рекомендований виробником текстильного виробу (звичайно вказується на ярлику виробу).

*Примітка: Якщо рекомендації виробника відсутні, виберіть температурний режим, що відповідає типові тканини, що підлягає прасуванню, (див. розділ «Корисні поради»).*

4. Світловий індикатор (11) займається, показуючи, що праска нагрівається до заданої температури. При досягненні заданої температури світловий індикатор (11) згасне.

*Примітка: під час роботи праски світловий індикатор періодично гасне й загоряється: це не є несправністю.*

### **Використання регульованого парозволоження**

Прасування без пари може здійснюватися при будь-якому температурному режимі. При цьому, регулятор подачі пари (9) повинен знаходитися в положенні «0». Якщо ви хочете скористатися функцією регульованого парозволоження, то після розігріву праски установіть регулятор (9) у положення за вашим бажанням.

*Увага: Застосування функції відпарювання неможливе при використанні температурного режиму «●». Якщо температура недостатньо висока для утворення пари, вода почне витікати з підшови. Щоб уникнути цього, завжди встановлюйте регулятор подавання пари (9) у положення «0» перед прасуванням на низькотемпературному режимі.*

### **Турбо пара**

Для полегшення прасування щільних бавовняних, льняних та оббивних тканин користуйтеся кнопкою додаткового паротворення (8): натискання на кнопку (8) у процесі прасування призводить до виділення з підшови інтенсивного струменя пари, що допомагає розпрямити неслухняні складки.

### **Вертикальне відпарювання**

Функція вертикального відпарювання допомагає освіжити зовнішній вигляд штор, піджака, пальто та ін. Для того щоб скористатися цією функцією, виконайте наступне:

- ▶ Притримуйтеся вказівок пунктів 1-4 розділу «Інструкція з експлуатації». Вибираючи температурний режим, установіть терморегулятор (10) у положення «Max».
- ▶ Тримайте праску вертикально, направте її підшову на виріб що відпарюється та натисніть на кнопку додаткового паротворення (8). Відбудеться сильне спрямоване виділення пари з підшови. Натисніть кілька разів, роблячи паузу 5-7 секунд між натисканнями, поки виріб не буде відпарений. Якщо в процесі відпарювання в резервуарі (5) закінчилася вода, відключіть праску від мережі, зачекайте, поки вона остигне, та наповніть резервуар водою, а потім знову увімкніть праску до мережі.

### **Спрей**

Кнопка розпилення води (7) допоможе відпрасувати важкодоступні деталі виробів (манжети, оборки, планки та ін.) і тканин, що вимагають використання низькотемпературного режиму «●», де відпарювання неможливе. Натисніть її кілька разів для зволоження матеріалу, що підлягає прасуванню.

5. Після закінчення прасування не забудьте відключити праску, перевівши регулятор подавання пари (9) у положення «0», терморегулятор (10) — у положення «Min» і, вийнявши вилку (13) із розетки.

## ДОГЛЯД ТА ЧИЩЕННЯ



### Чищення підшови

- ▶ Наліт на підшові можна видалити грубою бавовняною тканиною, змоченою розчином оцту з водою.
- ▶ Не використовуйте для чищення підшови абразивні матеріали та речовини.

### Чищення внутрішніх частин праски

У районах із високим ступенем жорсткості води необхідно регулярно видаляти накип із приладу для підтримки його в гарному стані, оскільки надлишок накипу в приладі може призвести до його неправильної роботи або поломки.

Частота очищення від шумовиння залежить від ступеня жорсткості водопровідної води у вашому регіоні та від частоти використання приладу: у середньому прасці потрібне очищення раз у півроку. Зменшіть цей період до місяця, якщо вода у Вашому районі дуже жорстка, або якщо Ви часто займаєтесь прасуванням.

Ваша праска оснащена функцією самоочищення. Для очищення внутрішніх частин праски від накипу та пилу виконайте наступне:

1. Установіть регулятор подачі пари **(9)** у положення «0».
2. Наповніть резервуар **(5)** водою до позначки «Max».
3. Поставте праску вертикально та увімкніть її до мережі.
4. Установіть терморегулятор **(10)** у положення «Max». Світловий індикатор **(11)** загориться, показуючи, що праска нагрівається до заданої температури.
5. При досягненні максимальної температури світловий індикатор **(11)** згасне.
6. Тримаючи праску горизонтально над раковиною, переведіть регулятор подачі пари **(9)** у положення «Self-Clean» та утримуйте його в цьому положенні. Гаряча пара з мікроскопічними краплями води, що виходить із підшови **(12)**, видалить накип та пил. Якщо струмінь пари з водою почне слабшати, переведіть регулятор **(9)** у положення «0» й зачекайте 12-15 секунд, поки праска знову нагріється. Потім знову переведіть регулятор у положення «Self-Clean».
7. Коли резервуар для води **(5)** повністю стане порожнім, переведіть регулятор подачі пари **(9)** у положення «0».
8. Поставте праску у вертикальному положенні та зачекайте, поки вона знову нагріється.
9. Пропрасуйте шматок чистої непотрібної бавовняної тканини для того, щоб підшови праски **(12)** очистилася від залишків пилу та накипу, а залишки води випарувалися. Після закінчення прасування не забудьте відключити праску, перевівши регулятор подачі пари **(9)** у положення «0», терморегулятор **(10)** у положення «Min» та вийнявши вилку **(13)** із розетки.

### Зберігання

Перед тим як поставити прилад на зберігання, переконайтеся в тім, що прилад відключений від мережі та охолов. Установіть терморегулятор у положення «Min», а регулятор подачі пари — у

положення «0». Злийте залишки води з резервуара (5), відкривши кришку (4) та, перевернувши праску над раковиною. Зберігайте праску у вертикальному положенні.

## КОРИСНІ ПОРАДИ



### Вибір температурного режиму

- ▶ Рекомендуємо Вам розсортувати білизну перед прасуванням відповідно до їх складу за температурним режимом, що рекомендується.
- ▶ Для прасування змішаної тканини вибирайте той температурний режим, що рекомендовано для найменш термостійкого матеріалу (наприклад, під час прасування тканини, до складу якої входить бавовна та поліамід, виберіть температурний режим, рекомендований для прасування виробів із поліаміду).
- ▶ Рекомендуємо розпочинати прасування з найменш термостійких тканин та, відповідно, із найменшого температурного режиму: праска нагрівається набагато швидше, ніж остигає.
- ▶ У випадку якщо на ярлику виробу відсутні рекомендації виробника стосовно температурного режиму прасування, але склад тканини Вам відомий, скористайтеся таблицею №1.

Таблиця №1		
Склад тканини	Положення терморегулятора	Режим відпарування
Акрил Поліпропілен Поліетан	●	Немає
Ацетат Триацетат Поліестер Поліамід Нейлон Віскоза Штучний шовк	●●	Так
Шовк	●●	Не рекомендується
Вовна	●●	Так
Бавовна	●●●	Так
Льон	●●●	Так

- ▶ Якщо Ви не знаєте склад виробу, знайдіть на виробі місце, непомітне під час носіння, та спробуйте підібрати найоптимальніший для прасування температурний режим, починаючи з мінімального.

### Прасування окремих видів тканин

- ▶ Не використовуйте кнопку розпилення води (7) під час прасування шовку: краплі води залишають плями на шовкових тканинах.
- ▶ Чисту вовну, оксамит, вельвет та інші ворсові тканини необхідно прасувати з вивороту.

- ▶ Рекомендуємо гладити вовняні вироби через тонку бавовняну тканину та, виставивши регулятор подачі пари на максимальний режим. Ця процедура перешкодить появі небажаного блиску тканини.

## УТИЛІЗАЦІЯ



Електропобутовий прилад має бути утилізований з найменшою шкодою для навколишнього середовища та згідно з правилами утилізації відходів у Вашому регіоні. Для правильної утилізації приладу досить віднести його в місцевий центр переробки вторинної сировини. Для упакування вироблених нами приладів використовуються тільки екологічно чисті матеріали. Тому картон і папір можна утилізувати разом з паперовими відходами.

## ПІСЛЯПРОДАЖНЕ ОБСЛУГОВУВАННЯ



Якщо Ваш прилад не працює чи працює погано, зверніться в уповноважений сервісний центр за консультацією чи ремонтом.

**Гарантія не поширюється в наступних випадках:**

- ▶ При недотриманні описаних вище засобів безпеки й інструкції з експлуатації.
- ▶ Використання в комерційних цілях (використання, що виходить за рамки особистих побутових потреб).
- ▶ При підключенні в мережу з напругою, відмінною від зазначеної на приладі.
- ▶ При неналежному догляді (проникненні рідини, пилу, комах і ін. сторонніх предметів і речовин усередину приладу).
- ▶ При застосуванні зайвих зусиль під час експлуатації приладу чи ушкодженнях іншого роду (механічних ушкоджень у результаті неправильної експлуатації, удару чи падіння приладу).
- ▶ При несанкціонованому ремонті чи заміні частин приладу, здійснених не уповноваженим на те обличчям чи сервісним центром.
- ▶ При відкладенні навару на приладі незалежно від використовуваної води.
- ▶ При нещасних випадках, як те удар блискавки, затоплення, пожежа й інших форс мажорних обставинах.



Характеристики можуть бути змінені компанією Binatone без будь-якого повідомлення.

Гарантійний термін і інші деталі зазначені в гарантійному талоні, що додається до приладу.

**Термін служби:** 3 роки від дня покупки.

**Виробник:** Binatone Industries Ltd, Great Britain, Vitabiotics House, 1 Apsley Way, Staples Corner, London, NW2 7HF, UK. (Бінатон Індастріз Лтд, Великобританія)

Зроблено в КНР для Binatone Industries Ltd, Великобританія

УКРАЇНСЬКА

