

TECHNICAL PASSPORT

ПАСПОРТ ТЕХНИЧЕСКОГО ИЗДЕЛИЯ



NRB 17761

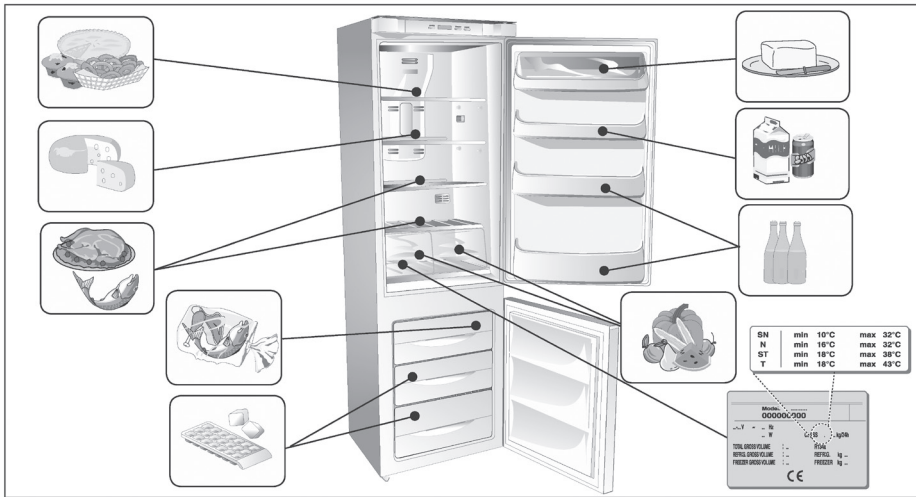
REFRIGERATORS

ХОЛОДИЛЬНИКИ

KUPPERSBERG

**CONTENTS**

STANDARDS-WARNINGS AND RECOMMENDATIONS	3
POSITIONING AND INSTALLING THE APPLIANCE	6
REMOVING THE TRANSPORT PROTECTION DEVICES	6
INSTALLATION IN THE TALL UNIT HOUSING	8
CONNECTING THE APPLIANCE TO THE MAINS SUPPLY	9
DESCRIPTION OF THE APPLIANCE	9
USING THE FRIDGE COMPARTMENT	9
USING THE FREEZER COMPARTMENT	11
CLEANING	15
ELECTRICAL CONNECTION	16
TROUBLESHOOTING	17
TECHNICAL ASSISTANCE SERVICE	18



! STANDARDS-WARNINGS AND RECOMMENDATIONS

! WARNING! At the end of the useful life of an appliance that makes use of R 600a refrigeration gas (isobutane) and flammable gas in the insulation foam, it must be made safe prior to being transported to the place of disposal. To do this, refer to the retailer or the appropriate local authority.

! WARNING! This appliance can be used by children aged from 8 years and above and person with reduced physical, sensory or mental capabilities or lack of experience and knowledge if they have been given supervision or instruction concerning use of the appliance in a safe way and understand the hazard involved. Children shall not play with the appliance. Cleaning and

user maintenance shall not be made by children without supervision.

! WARNING! Make sure that the ventilation openings in the appliance body or built-in units are not obstructed.

! WARNING! Do not damage the cooling circuit.

! WARNING! Do not store explosive substances such as aerosol cans with a flammable propellant in this appliance.

! WARNING! Do not use mechanical devices or other artificial methods than those recommended by the manufacturer to accelerate the defrosting process.

! WARNING! Do not use electrical devices inside the food storage compartment, if they are not recommended by the manufacturer.

Refrigerator NRB 17761

! WARNING! If the supply cord is damaged, it must be replaced by the manufacturer, its service agent or similar qualified persons in order to avoid a hazard.

This appliance is intended to be used in household and similar applications such as:

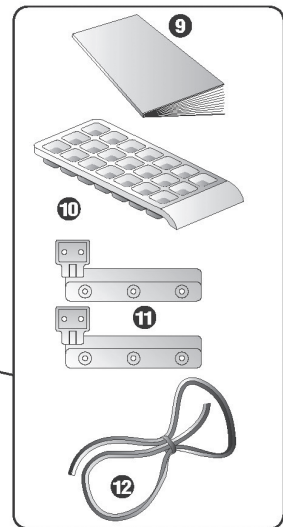
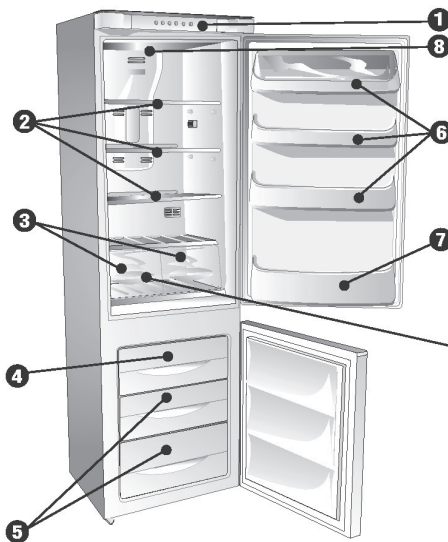
- staff kitchen areas in shops, offices and other working environments;
- farm house and by clients in hotel, motels and other residential type environment;
- bed and breakfast type environment;

➤ catering and similar non-retail applications.

This product complies with current European safety standards governing electrical appliances. It has been subjected to thorough and meticulous testing to assess its safety and reliability.

Before connecting the appliance, make sure that the data on the rating plate complies with that of the domestic supply. Do not dispose of the recyclable packing materials in an unauthorised manner.

Take them to an appropriate plant for recycling.



- 1. CONTROL PANEL
- 2. ADJUSTABLE SHELVES
- 3. FRUIT AND VEG BOX WITH REMOVABLE SHELF
- 4. DRAWER FOR FREEZING FOOD
- 5. FREEZER DRAWERS
- 6. CONTAINER SHELF

- 7. BOTTLE SHELF
- 8. INTERNAL LIGHT
- 9. INSTRUCTION BOOK
- 10. ICE TRAY
- 11. DOOR OPENING MECHANISM
- 12. GASKET

The electrical safety of this appliance is only guaranteed when it has been connected to a mains supply with an efficient earthing system as provided for by law. This is an important safety requirement and must be complied with. In case of doubt, have the mains supply checked by a qualified electrician.

As with any other electrical appliance, a few fundamental rules must be observed during use:

➔ do not touch the appliance with wet or damp hands or feet.

➔ do not pull the power cable to remove the plug from its socket.

➔ do not expose the appliance to atmospheric agents.

➔ do not allow the appliance to be used by unsupervised children.

➔ do not plug-in or unplug the appliance using wet hands. - before carrying out any cleaning or maintenance operation, disconnect the appliance from the mains supply by either unplugging it or switching the mains power supply off at the main switch:


➔ in the case of a fault or malfunction, switch off the appliance and do not attempt any repairs.

This appliance is marked as complying with European Directive 2012/19/EU, Waste Electrical and Electronic Equipment (WEEE).

Make sure that the product is disposed of in a correct manner.

The user is obliged to contribute towards preventing any negative

consequences for health and the environment.

The symbol  affixed to the product or accompanying documents signifies that the product must not be treated as normal domestic refuse, but must be delivered

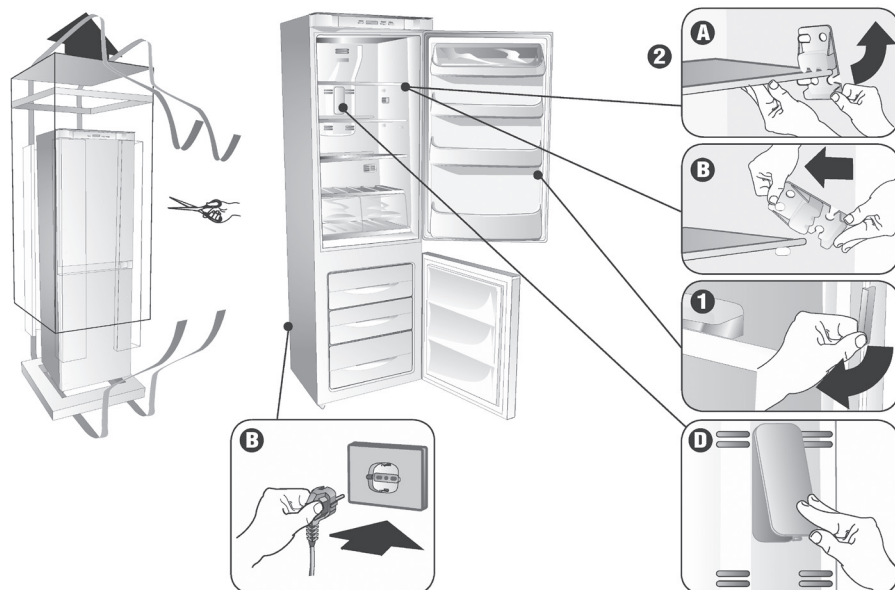
to an authorised collection centre to enable the electric and electronic equipment to be recycled. When disposing of the appliance, comply with local waste disposal regulations.

For further information on the treatment, recovery and recycling of this product, refer to the appropriate offices, local domestic waste collection service or the retailer from where the appliance was purchased. Fridge-freezers are large capacity domestic appliances for freezing, storing and refrigerating any types of food. The load-bearing STRUCTURE has been fabricated in steel panels which have been treated and electrostatically painted to resist mistreatment and to ensure that its "new" look remains unaltered over time.

The INSULATION MATERIALS have been specially selected to ensure that the INTERNAL temperature remains constant and to provide maximum storage space.

The internal STORAGE SPACE has been designed to store any type of food thanks to the easily removable shelves.

Refrigerator NRB 17761



! POSITIONING AND INSTALLING THE APPLIANCE

REMOVING THE TRANSPORT PROTECTION DEVICES

Check that the appliance is undamaged.

The retailer must be informed of any damage to the appliance within 24 hours of delivery.

1. Remove the protection from the door gasket.

The protection is used to protect the gasket during transport.

The protection must be removed in order to ensure that the door seal functions correctly.

To remove the protection, lightly pull one end while rotating it outwards.

2. Remove the glass shelf locking devices.

These plastic elements prevent the shelves from moving during transport.

To remove the shelf locking devices, proceed as follows:

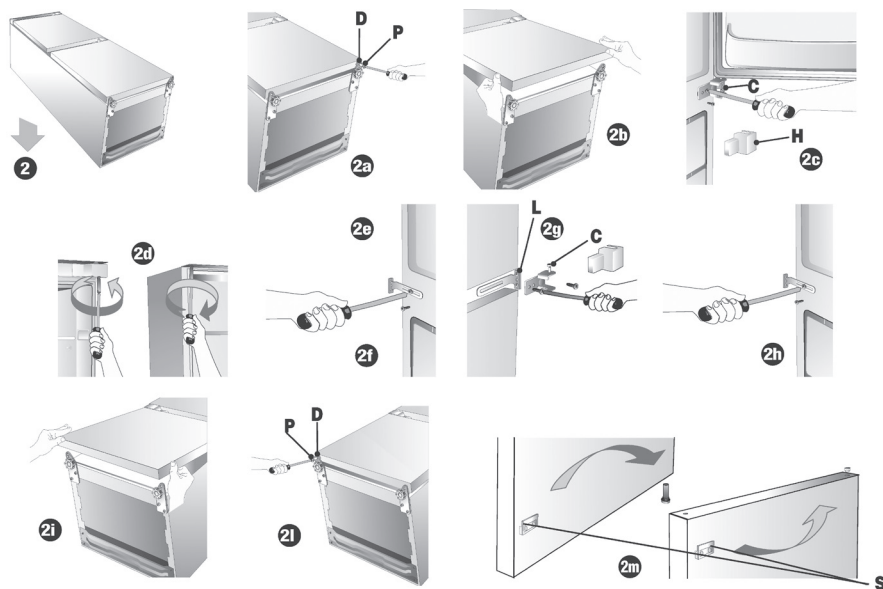
a) Grasp the plastic locking device and rotate it until it comes away from the shelf.

b) Remove the locking device by pulling it outwards.

WHEN INSTALLING THE APPLIANCE, REMEMBER THE FOLLOWING:

A Do not install it near to sources of heat such as heaters, radiators, cookers, etc. or in direct sunlight.

B After the appliance has been placed in its final position, leave it for about an



hour before connecting it to the power supply. During automatic defrosting, make sure that the water flowing along the cell back wall is conveyed into the discharge channel.

C Make sure that the appliance is working properly before placing any food in it.

D The appliance is equipped with an antibacterial filter; its function is to improve the air quality inside the refrigerator, ensuring a healthier and bacteria-free environment and, as a result, extending food preservation.

! ATTENTION: CLEAN THE ANTIBACTERIAL FILTER APPROXIMATELY EVERY 3 MONTHS (SEE CLEANING CHAPTER).

! WARNING: DO NOT INSTALL THE APPLIANCE NEAR TO ANY HEAT SOURCES AND LEAVE A GAP OF AT LEAST 5 CM ABOVE IT

REVERSING THE DOOR OPENING

1. Once the appliance has been unpacked, check that the mains voltage is the same as that indicated on the rating plate.

2. If the door opening direction is as required, go to Point 3.

Otherwise, reverse the position of the hinges.

To do this, carefully place the appliance on its back.

Use spacers to prevent crushing the condenser pipes and damaging the compressor unit.

Refrigerator NRB 17761

2a. Remove the lower hinge pin P and the distance spacer D.

2b. Remove the lower door.

2c. Slide off hinge cover H; remove the middle hinge C, then free the upper door.

2d. Remove the upper hinge pin K and fit it to the opposite side.

2e. Remove the central support L.

2f. Refit the upper door.

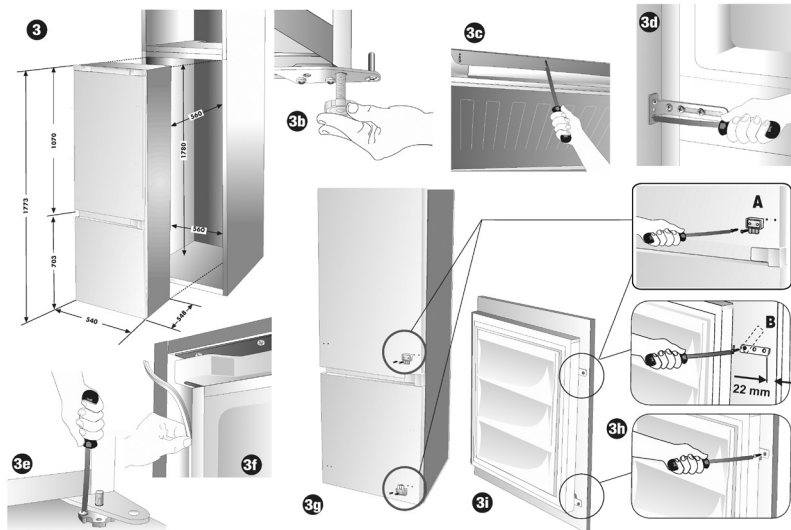
2g. Fit hinge C and support L on the left side. (The hinge cover H, must be refitted at the end of installation).

2h. Refit the middle support L on the right side.

2i. Refit the lower door.

2l. Insert pin P and spacer D.

2m. Remove the door opening/closing elements S and reassemble them on the opposite side.



**INSTALLATION
IN THE TALL UNIT HOUSING**

The dimensions of the tall unit housing must correspond to those reported in the figure.

3a. Insert the appliance in the housing against the side panel adjacent to the opening. Check that the side of the appliance is inset 53 mm in the unit.

3b. Adjust the foot until the top panel is not in contact with the unit.

3c. Anchor the upper part of the appliance, using the screws supplied, in the pre-drilled panel over the front fascia.

3d. Anchor the centre of the appliance to the wall of the unit using the special brackets.

3e. Fix the two bottom feet in the holes in the base of the unit.

3f. Where provided, apply the plastic joint gasket.

3g. Check that the guides of door opener “A” are positioned opposite the opening, otherwise remove them and replace on the other side.

3h. Fix guides “B”, supplied, on the fridge unit door in the first hole to allow the guide to rotate until it engages fridge door opener “A”.

3i. Then screw in the other two fixing screws to fix opener “B”, such that the guide is blocked and that the door moves together with that of the unit.

CONNECTING THE APPLIANCE TO THE MAINS SUPPLY

Check that the mains voltage corresponds to that indicated on the appliance’s rating plate and that the mains socket is equipped with an earth connection. Do not use adapters that might generate overheating.



USING THE FRIDGE COMPARTMENT

DESCRIPTION OF THE APPLIANCE

F Button to turn on the device (I) and adjust the refrigerator compartment.

D Control display.

C Button to shut down the device (0) and adjust the freezer compartment.

S “SUPER” function activation button.

START-UP

➔ Connect the plug to the mains supply.

➔ Press the fridge button F (I), an acoustic signal (1 BEEP) confirms its turning on.

➔ Warning: the fridge compartment cannot be activated on its own.

The display will flash the temperature set for both compartments for 6 seconds. Example: +6 fridge -18 freezer After the 6 seconds have elapsed, the actual temperature in the compartments will be displayed. The fridge compartment can be switched off by keeping button F pressed for 4 seconds.



WARNING: The unit is turned off by pressing the C button for 5 seconds, followed by an acoustic signal (two beeps) while the display shows (---).

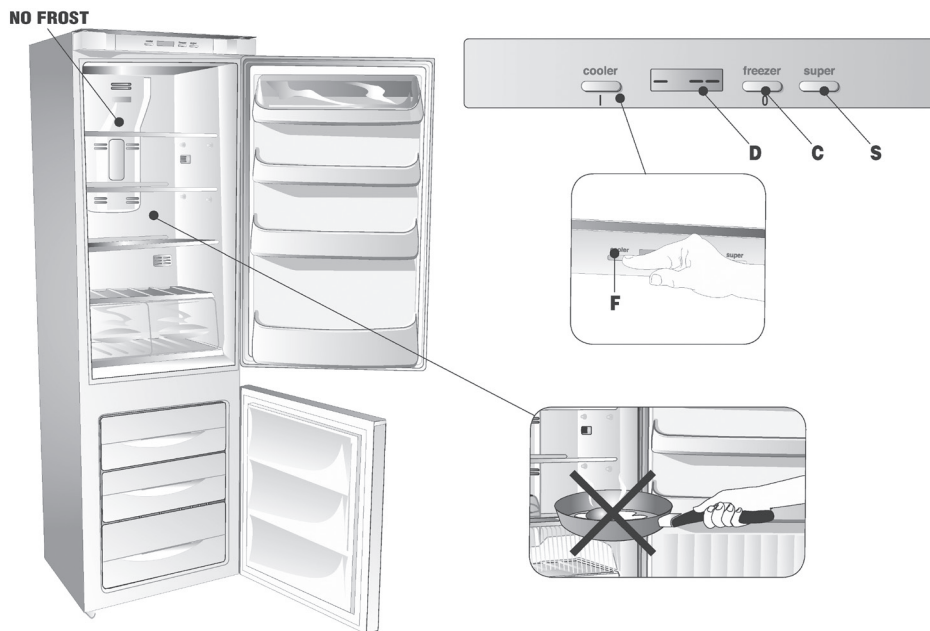
FRIDGE OPERATION SETTING THE TEMPERATURE

To set the required temperature, press button F. The temperature initially set on the display will flash for 6 seconds.

While the display is flashing, the required temperature can

be set by re-pressing button F. Each time the button is pressed, the temperature will be varied by one degree. Once the required temperature is set, the display will flash for 6 seconds, after which the actual temperature will reappear. The temperature can be set between +2 and +7 degrees Actual

Refrigerator NRB 17761



temperatures above +9 are signalled by the letter H.

! **WARNING!** If the fridge door is left open for too long, the internal light will be switched off automatically by a safety system in order to prevent the bulb from overheating. Closing and opening the door again will reset the system. The light can only be switched on again after the door has been opened and closed again.

! **Note:**

➔ The distance between the shelves and the rear internal wall of the refrigerator ensures that air circulates freely.

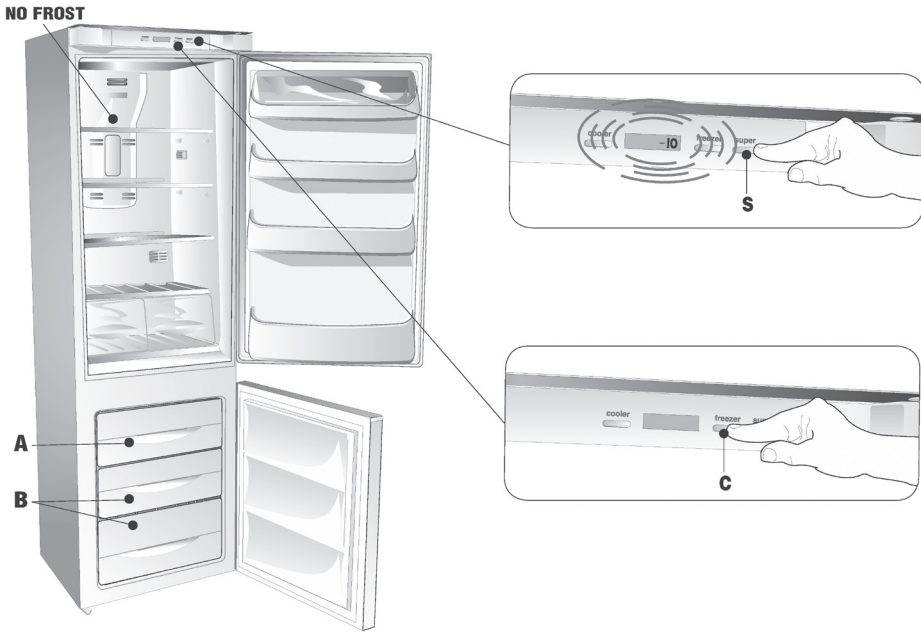
➔ Do not place food in direct contact with the rear wall of the refrigerator compartment.

➔ Do not place food that is still warm into the compartments.

➔ Keep all liquids in closed containers.

The NO-FROST system guarantees a constant temperature and a more rapid freezing capacity.

The humidity-free, forced air circulation tends to dry food up quickly and for this reason we advise keeping all food in closed containers.



USING THE FREEZER COMPARTMENT

The freezer has two distinct compartments:

➔ The top drawer "A" is used for freezing fresh food.

➔ The lower and centre drawers "B" are used exclusively for storing frozen food.

Prepare the food to be frozen in small portions (max 1 kg for ease of freezing and eventual thawing). Wrap the food in purpose-made polythene or aluminium foil, if possible airtight. Make a note of the date of freezing on the wrap and place it in the freezer drawer.

➔ After the freezer has been started, approximately 3 hours are required for

it to reach the correct temperature for storing frozen food.

SETTING THE TEMPERATURE

The freezer compartment can also operate independently from the fridge. To start the freezer, press button C for at least 0.5 seconds. To stop the freezer, press button C for at least 4 seconds until the display indicates "-".

To set the required temperature, press button C. The temperature initially set on the display will flash for 6 seconds. While the display is flashing, the required temperature can be set by re-pressing button C. Each time the button is pressed, the temperature will be varied by one degree. Once the temperature is set, the display will flash

Refrigerator NRB 17761

for 6 seconds, after which the actual temperature of the compartment will appear.

The display indicates actual internal temperature values

between +20°C and -40°C.

Actual temperatures above +20 are signalled on the display by the letter H.

FREEZER TEMPERATURE ALARM


The freezer has two types of alarm, audio and visual (with a flashing display as shown in the figure). Both are activated together when the temperature in the freezer reaches a value higher than -12 (Example -11).

To silence the audible alarm, press the “super” button S.

The visual alarm will deactivate automatically when the temperature returns to - 12.

WARNING: The first time the appliance is switched on, the alarm will be activated automatically in that the temperature in the freezer compartment is higher than - 12.

FREEZING FRESH FOOD

The freezer compartment  can be used to freeze fresh food.

The quantity of fresh food freezable in 24 hours is indicated on the appliance identification plate (see paragraph “Electrical connection”).

Procedure:

➔ Wrap the food in aluminium foil, transparent film, plastic waterproof containers, polyethylene containers with lids or purpose-made freezer containers.




➔ Place the food in the appropriate compartment, leaving sufficient space around it to allow air to circulate freely.

In the case of a power cut, the freezer will maintain its storage temperature for approximately 15 hours. Do not open the freezer door during a power cut.

SETTING THE “SUPER” FUNCTION ✖

The “super” function is activated by pressing button S for at least 0.5 seconds, and is indicated on the display by the symbol ✖. The function switches off automatically after 27 hours, or can be switched off manually by pressing button S for at least 0.5 seconds until the ✖ symbol disappears.

 **IMPORTANT!** For the storage times of fresh frozen foods, refer to the table on the inside of the freezer door.

When purchasing frozen food, remember the following:

➔ The wrapping or container must be intact, otherwise the content may deteriorate. If a pack is swollen or has damp marks, this means that it has not been stored correctly and may already have started to defrost.

➔ Always purchase frozen foods last and use insulated bags/containers for their transport.

➔ On returning home, place the frozen food in the freezer as soon as possible.

STORING FOOD IN THE REFRIGERATOR COMPARTMENT

➔ Avoid or reduce variations in temperature to a minimum.

➔ Keep to the expiry date shown on the frozen food packing.

➔ Always follow the storage instructions provided.

➔ The maximum amount of fresh food that can be frozen is shown in Kg/24h on the rating plate.

➔ Avoid placing food that has to be frozen in contact with food that has already been frozen so that the latter does not undergo a rise in temperature.

Never re-freeze partially thawed food, which must be consumed within 24 hours.

Do not store frozen foods longer than recommended.

RECOMMENDATIONS:

NEVER place ice cubes in the mouth or eat ice-lollies that have just been taken out of the freezer, as these can cause ice burns.

DO NOT place sealed containers containing liquids such as soft-drinks or similar in the freezer.

Hot foods and drinks must be allowed to cool before being placed in the freezer

Refrigerator NRB 17761

**STORING FROZEN FOOD**

It is impossible to accurately predict the effective storage period for frozen food in that this varies considerably according to the nature of the food itself.

To be safe, always follow the instructions reported on the packaging of frozen food products.

ICE-CUBE PRODUCTION

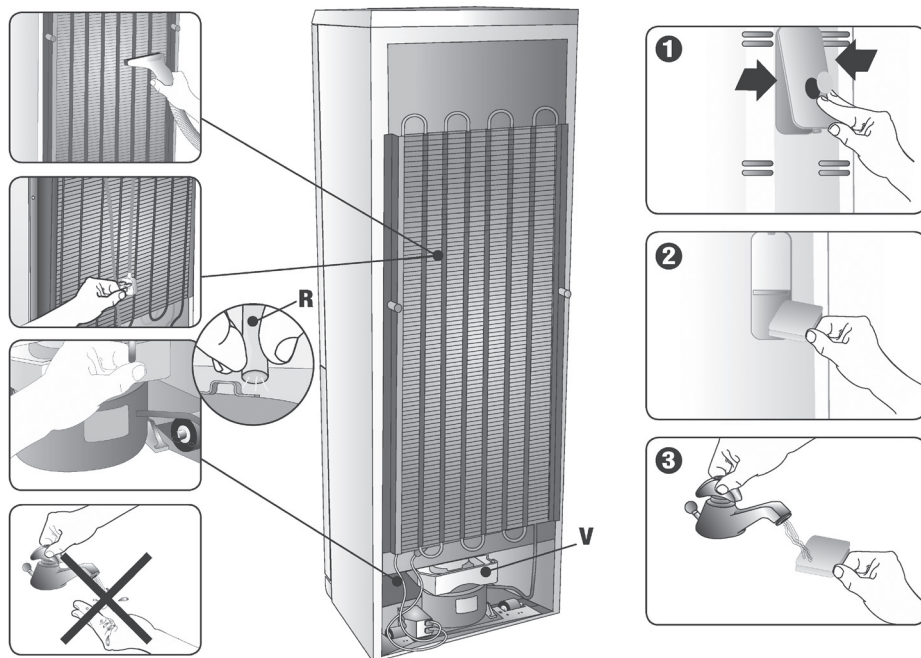
Fill the ice-tray 3/4 full with water. Place it in the sliding drawer (where fitted) in the freezer compartment.

GENERAL ADVICE:

Make sure that the packaging is intact and that there are no damp marks or swelling, in that these indicate that the frozen product may already have deteriorated.

Any food that has started to thaw out must not under any circumstances be re-frozen.

Do not store frozen foods for longer than the recommended time period.



⚠ CLEANING

Before starting any cleaning, disconnect the appliance from the mains electricity supply.

The protections (wire grill, covers) must not be removed by unqualified personnel: do not use the appliance if the protections have been removed.

WHEN CLEANING THE INTERNAL PLASTIC PARTS AND THE DOOR GASKET:

do not use abrasives or detergents of any kind.

➤ Use a warm solution of bicarbonate of soda (two spoonfuls in two litres of water).

CLEANING THE CONDENSER

➤ This should be carried out at least twice a year.

➤ Clean using a domestic vacuum cleaner or a brush. A dirty condenser will have a negative effect on the appliance and reduce its performance.

FOR PROLONGED ABSENCES

➤ Empty the compartments.
➤ Disconnect the appliance from the mains electricity supply.

➤ Clean both the compartments and dry them.

➤ Leave the doors open to prevent bad smells or mould from forming.

Refrigerator NRB 17761

CLEANING THE WATER DRAIN

When cleaning the condenser, check that the rear drain pipe R is not blocked.

➔ Remove drain pipe R from the container V and if necessary clean it.

CLEANING THE ANTIBACTERIAL FILTER

➔ Every 4 months.

1. Remove the filter-holder cover fig.
2. Remove the filter fig. 2.
3. Wash it with hot water (it can be washed also in the dishwasher); dry it at a temperature lower than 100°C; to maintain a proper filtering capacity, replace the filter every 2 years. Remount it in the specific seat and place back the cover fig1.

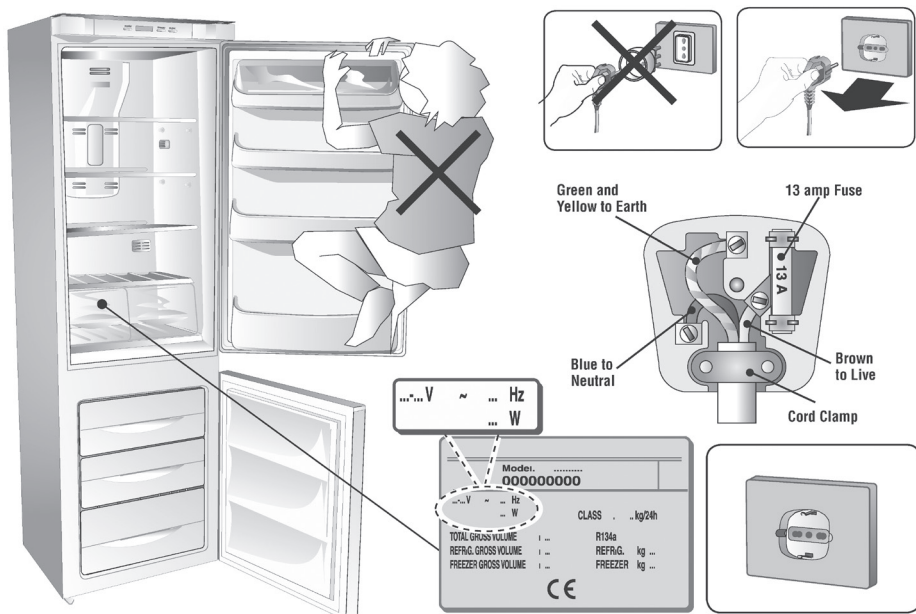
POWER SUPPLY CABLE

➔ Periodically inspect the power cable to check its condition.


➔ If the cable is damaged, do not use the appliance and do not attempt any repairs. Call a qualified technician to replace the faulty cable.

⚠ ELECTRICAL CONNECTION

Check that the mains voltage complies with that indicated on the rating plate located on the bottom left of the compartment. If the mains socket does not have an earth connection or if the plug is not suitable for the mains supply system, refer to a qualified electrician. Do not use adapters or extension leads, as these may overheat and burn.



WARNING: THIS APPLIANCE MUST BE EARTHED

If the appliance has been fitted with a non-rewirable plug of the incorrect type for the mains socket, cut off the plug and fit a new one. The removed plug must be thrown away. Inserting an unsuitable plug into a 13 Amp socket is likely to cause an electrical hazard. When a non rewirable plug or rewirable 13 Amp (BS1363) plug is used, it must be fitted with a 15 Amp A.S.T.A. approved (BS1362) fuse. If any other type of plug is used it must be wired as follows. Connect the GREEN & YELLOW wire to the earth terminal marked with the letter "E" or earth symbol,  or coloured green or green & yellow. Connect the BLUE wire to the neutral terminal marked with the letter "N" or coloured black. Connect the BROWN coloured wire to the live terminal marked with the letter "L" or coloured red.

If the appliance has no plug attached, it must be connected to the electricity supply by installing a switch which is directly connected to the mains. This switch must ensure omnipolar disconnection under overvoltage category III conditions.

TROUBLESHOOTING

1) THE APPLIANCE DOES NOT WORK.

- Is there a power cut?
- Is the plug inserted properly in the mains socket?

➤ Is the power supply cable damaged?

➤ Is the temperature setting correct?.

2) THE TEMPERATURE INSIDE THE COMPARTMENTS IS NOT LOW ENOUGH.

➤ Do the doors close properly?

➤ Is the appliance installed near to a heat source?

➤ Is the temperature setting correct?.

➤ Is the condenser clean?

3) THE TEMPERATURE INSIDE THE FRIDGE COMPARTMENT IS TOO LOW.

➤ Is the thermostat in the right position?

4) THE APPLIANCE IS VERY NOISY.

➤ Is the appliance in contact with other furniture or objects?

➤ Are the pipes on the back touching or vibrating?

➤ Is the appliance level?

5) THE INTERNAL LIGHT DOES NOT WORK

➤ Contact the ASSISTANCE SERVICE.

6) WATER IS FOUND ON THE FLOOR.

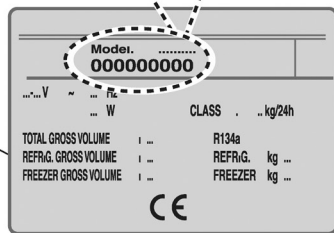
➤ Is tray V placed correctly and contacting the compressor surface?

➤ Is discharge tube R placed correctly inside the tray?

Refrigerator NRB 17761



Mode:
00000000



TECHNICAL ASSISTANCE SERVICE

Before contacting the Assistance Service:

➔ Check whether it is possible to rectify the problem by referring to the “Troubleshooting” guide.

➔ Restart the appliance to check whether the problem has been resolved. If the problem still exists, disconnect the appliance from the mains electricity supply and repeat the operation after one hour. If the appliance is not working properly or not working at all, before calling the Technical Assistance Service check that:

- ➔ The plug is inserted properly in the mains socket.
- ➔ The mains supply is working.
- ➔ The temperature is set correctly.
- ➔ The doors close properly.
- ➔ The power supply voltage corresponds to that of the appliance ($\pm 6\%$).
- ➔ If the problem still exists, call the Assistance Service.

INFORM THE ASSISTANCE SERVICE OF:

- ➔ The type of malfunction
- ➔ The appliance model
- ➔ The serial number

**СОДЕРЖАНИЕ**

НОРМЫ - ПРЕДУПРЕЖДЕНИЯ И ВАЖНЫЕ РЕКОМЕНДАЦИИ.....	21
ОПИСАНИЕ ПРИБОРА.....	25
УДАЛЕНИЕ ЗАЩИТНЫХ ДЕТАЛЕЙ ДЛЯ ТРАНСПОРТИРОВКИ.....	26
УСТАНОВКА И ПУСК В ЭКСПЛУАТАЦИЮ.....	27
УСТАНОВКА В ШКАФ-СТОЙКУ.....	29
ПОДКЛЮЧЕНИЕ К ЭЛЕКТРИЧЕСКОЙ СЕТИ.....	31
ПОЛЬЗОВАНИЕ ХОЛОДИЛЬНОЙ КАМЕРОЙ.....	31
ПОЛЬЗОВАНИЕ МОРОЗИЛЬНОЙ КАМЕРОЙ.....	34
ЧИСТКА.....	38
ПОИСК НЕИСПРАВНОСТЕЙ.....	40
ЦЕНТР ТЕХНИЧЕСКОГО ОБСЛУЖИВАНИЯ.....	41



НОРМЫ – ПРЕДУПРЕЖДЕНИЯ И ВАЖНЫЕ РЕКОМЕНДАЦИИ

Благодарим Вас за то, что Вы выбрали и приобрели наше изделие.

 **Пожалуйста, прочтите внимательно изложенные ниже замечания. Ознакомившись с ними, Вы сможете максимально эффективно использовать все функции изделия. Качество прибора гарантировано, так как наша продукция проходит 100%-ную проверку после завершения производственного процесса, и наши изделия проходят продолжительные испытания и многочисленные виды ТЕСТИРОВАНИЯ. Мы уверены, что Вы получите удовольствие от использования нашего прибора.**

Данное изделие удовлетворяет действующим европейским нормам, касающимся безопасности электрооборудования. Изделие было подвергнуто длительным испытаниям и тщательному тестированию с целью оценки его безопасности и надежности. Прежде чем пользоваться прибором, прочтите внимательно это руководство, где содержатся сведения о необходимых действиях, а также о том, что делать недопустимо. Использование прибора не по назначению представляет собой опасность, особенно для детей. Прежде чем подключать прибор к электрической сети, проверьте соответствие данных на паспортной табличке параметрам Вашей электросети. Упаковочные материалы, допускающие вторичную переработку, должны сдаваться в соответствующий центр по переработке таких отходов.

Безопасность работы электрооборудования данного прибора будет обеспечена только в том случае, если подключение к сети выполнено с использованием исправной розетки с заземлением, соответствующей нормам. Обязательно проверьте соблюдение этого важнейшего условия безопасной работы.

Если у Вас возникли сомнения, сделайте запрос на тщательную проверку сети квалифицированным специалистом (закон 46/90). При использовании данным прибором, также как и в случае любого электроприбора,

Холодильник NRB 17761

необходимо соблюдать некоторые основные правила:

➔ нельзя касаться прибора мокрыми или влажными руками или ногами;

➔ нельзя тянуть за шнур питания для того, чтобы вынуть его из розетки;

➔ нельзя оставлять прибор под воздействием различных атмосферных факторов;


➔ дети могут пользоваться прибором только под наблюдением взрослых;

➔ нельзя вынимать или вставлять вилку в розетку мокрыми руками; перед выполнением любой операции по чистке или техобслуживанию необходимо отсоединить прибор от электросети, вынув вилку из розетки или выключив рубильник;

➔ в случае поломки или неправильной работы прибора необходимо выключить его и прекратить его использование.

Данное изделие промаркировано в соответствии с Европейской директивой 2002/96/ЕС по утилизации электрического и электронного оборудования (WEEE).

Обеспечив правильную утилизацию данного изделия, Вы можете предотвратить потенциальные негативные последствия для окружающей среды и здоровья человека, которые могут иметь место в противном случае.

Символ  на самом изделии или сопроводительной документации указывает, что при утилизации данно-



го изделия с ним нельзя обращаться как с обычными бытовыми отходами. Изделие следует сдавать в соответствующий пункт приема электрического и электронного оборудования для последующей утилизации. Сдача на слом должна производиться в соответствии с местными правилами по утилизации отходов. За более подробной информацией о правилах обращения с такими изделиями, их утилизации и переработке обращайтесь в соответствующее учреждение, местную службу по утилизации отходов или в магазин, в котором Вы приобрели данное изделие.

⚠ ВНИМАНИЕ! Холодильник, работающий с использованием хладагента R600a (изобутан) и газа изоляционного материала, для производства которого использовался горючий газ, в конце своего срока службы, перед сдачей на слом, должен быть приведен в безопасное состояние. Для выполнения этой операции обратитесь в магазин или в местное специализированное учреждение.

⚠ ВНИМАНИЕ! При установке Вашего прибора важно учитывать, к какому климатическому классу он относится. Для определения класса см. приведенную здесь табличку данных. Прибор работает надлежащим образом в указанных в таблице температурных пределах в соответствии со своим климатическим классом.

⚠ ВНИМАНИЕ! Не закрывайте вентиляционные отверстия корпуса, а при встроенной установке обеспечьте также достаточное пространство для воздухообмена вокруг холодильника.

⚠ ВНИМАНИЕ! Если вы уезжаете на длительный срок (в отпуск) необходимо отключить прибор, полностью освободить его, почистить и высушить. Позаботьтесь о том, чтобы двери оставались открытыми во избежание появления неприятных запахов.

⚠ ВНИМАНИЕ! Следите за тем, чтобы не повредить систему охлаждения.

При покупке просим Вас изучить основную инструкцию по эксплуатации и проверить правильность заполнения гарантийной книжки и товарного чека. При этом заводской номер и наименование модели приобретенного Вами изделия должны быть идентичны записям в гарантийной книжке. Не допускайте внесения в книжку каких-либо изменений, исправлений. В случае неправильного или неполного заполнения гарантийной книжки немедленно обратитесь к продавцу. Срок гарантии – 12 месяцев со дня продажи. Во избежание возможных недоразумений, сохраняйте в течение всего срока службы документы, прилагаемые к товару при его продаже, а именно: товарный чек, инструкция по эксплуатации, гарантийная книжка. Проследите, чтобы гарантийная книжка и товарный чек были правильно заполнены и имели печати торговой организации. При отсутствии даты покупки гарантийный срок исчисляется с момента изготовления изделия. **Гарантийное обслуживание не производится в следующих случаях, возникающих после передачи товара потребителю:**

➤ несоблюдения правил эксплуатации,

➤ механических повреждений, повреждений вследствие воздействия химических веществ, термических повреждений или неправильного применения расходных материалов (сти-

Холодильник NRB 17761

рального порошка и других моющих средств),

➤ использования изделия в целях, для которых оно не предназначено,

➤ использования в производственных целях (ресторан, кафе, офис, детский сад, больница и тд.),

➤ повреждений или нарушений нормальной работы, вызванных животными или насекомыми,

➤ блокировки подвижных элементов изделия при попадании во внутренние рабочие объемы посторонних предметов, мелких деталей одежды, жидкостей или остатков пищи,

➤ неисправностей, вызванных действием непреодолимой силы (пожара, стихийных бедствий и тп.),

➤ внесения исправлений в текст гарантийного талона или чека,

➤ ремонта, разборки и других не предусмотренных инструкцией вмешательств не уполномоченными на это лицами,

➤ повреждений, возникших вследствие небрежного хранения и/или транспортировки по вине покупателя, транспортной фирмы, торговой или сервисной организации. В этом случае владельцу следует обратиться с претензией в организацию, оказавшую эти услуги,

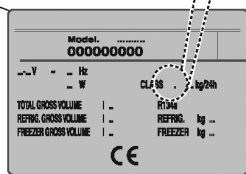
➤ отклонения от стандартов и норм питающих или других сетей подключения,

➤ неправильной установки или подключения изделия,

➤ необходимости замены осветительных ламп, фильтров, стеклянных и перемещаемых вручную пластиковых деталей.



SN	min	10°C	max	32°C
N	min	16°C	max	32°C
ST	min	18°C	max	38°C
T	min	18°C	max	43°C

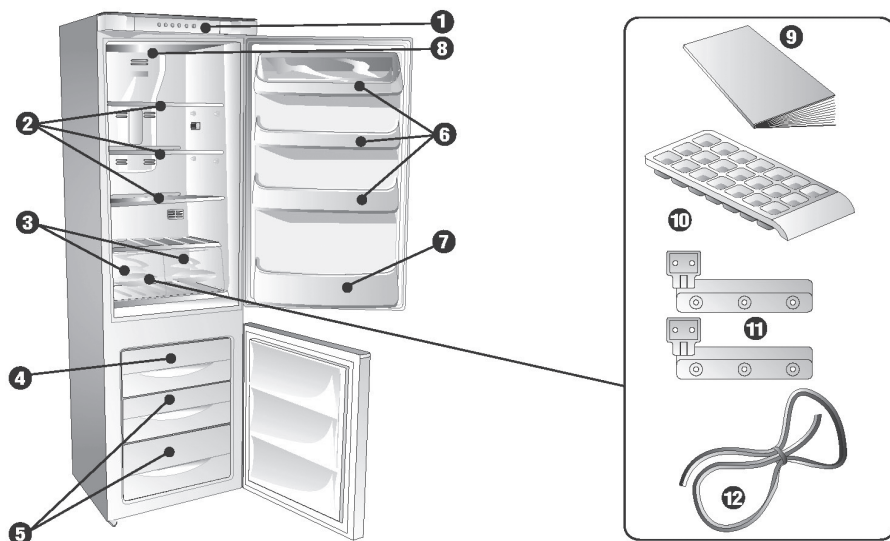


⚠ ОПИСАНИЕ ПРИБОРА

Приборы вертикального типа представляют собой электробытовые приборы большой вместимости, в которых можно замораживать, хранить и охлаждать любые продукты,

Несущая КОНСТРУКЦИЯ прибора выполнена из металлических панелей, подвергнутых обработке и электростатической окраске, что гарантирует неизменность ее эстетических качеств

в течение долгого времени. ИЗОЛЯЦИОННЫЕ материалы подобраны производителем с учетом требования неизменности температура ВНУТРИ прибора и сохранения большого внутреннего пространства. ВНУТРЕННЕЕ ПРОСТРАНСТВО продумано так, чтобы в нем можно было разместить продукты любой формы благодаря простоте изменения положения полок.



- | | |
|---|--------------------------------|
| 1. Термостат | 6. Полка для банок |
| 2. Регулируемые решетки | 7. Полка для бутылок |
| 3. Ящик для фруктов и овощей со съемной полкой | 8. Внутреннее освещение |
| 4. Отделение для заморозки свежих продуктов – морозильник | 9. Руководство по эксплуатации |
| 5. Ящики морозильника | 10. Емкость для льда |
| | 11. Направляющие скольжения |
| | 12. Прокладка |

Холодильник NRB 17761

⚠ УДАЛЕНИЕ ЗАЩИТНЫХ ДЕТАЛЕЙ ДЛЯ ТРАНСПОРТИРОВКИ

Убедитесь в сохранности прибора. О полученных во время перевозки повреждениях необходимо сообщить Вашему дилеру в течение 24 часов после получения прибора.

1. Снимите защитную пленку с прокладки дверцы.

Для того чтобы дверца холодильника плотно закрывалась, защитную пленку нужно снять.

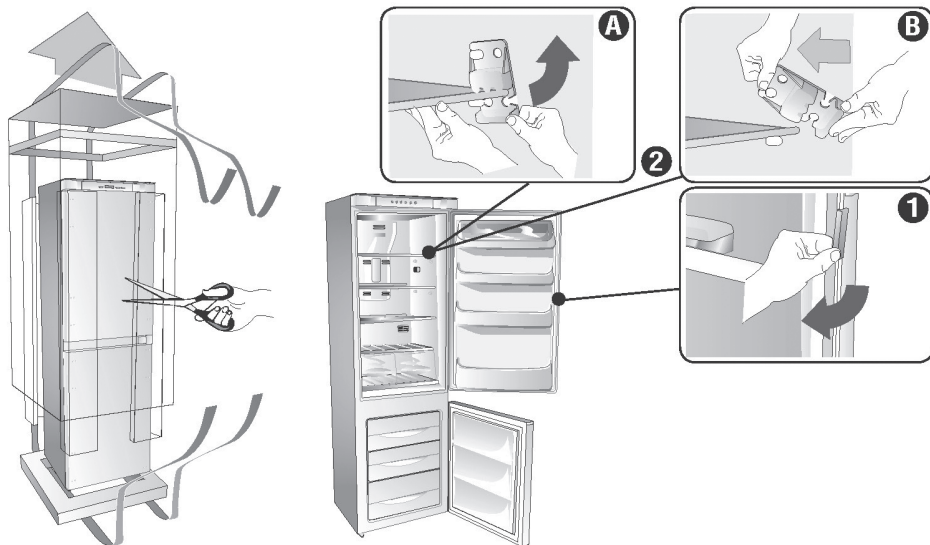
Потяните за конец защитной пленки, одновременно поворачивая ее вверх.

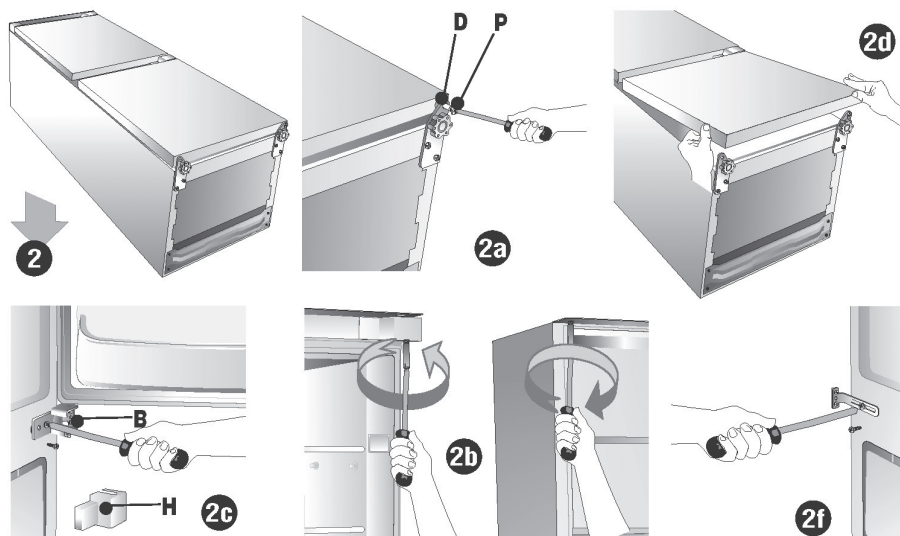
2. Снимите фиксаторы стеклянных полок.

Эти пластиковые детали препятствуют перемещению полок во время транспортировки. Фиксаторы снимают следующим образом:

а) возьмитесь за пластиковую деталь и поверните ее так, чтобы она отделилась от полки;

б) снимите фиксаторы, вытянув их по направлению кнаружи.





⚠ УСТАНОВКА И ПУСК В ЭКСПЛУАТАЦИЮ

1. Распаковав прибор, убедитесь в том, что напряжение в сети соответствует значению, указанному на паспортной табличке.

2. Если сторона открывания дверей Вас устраивает, перейдите к п. 3.

В противном случае следует поменять петли местами.

Для выполнения этой операции рекомендуется поместить прибор в горизонтальное положение, осторожно положив его на заднюю стенку и проложив специальные подкладки во из-

бежание раздавливания конденсатора и повреждения узла компрессора,

2a Снимите ось нижней петли P и прокладку D.

2b Освободите нижнюю дверь

2c Снимите накладку петли H; снимите среднюю петлю C, а затем освободите верхнюю дверь.

2d Снимите верхнюю ось K и установите ее с противоположной стороны.

2e Снимите центральную опору L.

2f Установите снова верхнюю дверь.

Холодильник NRB 17761

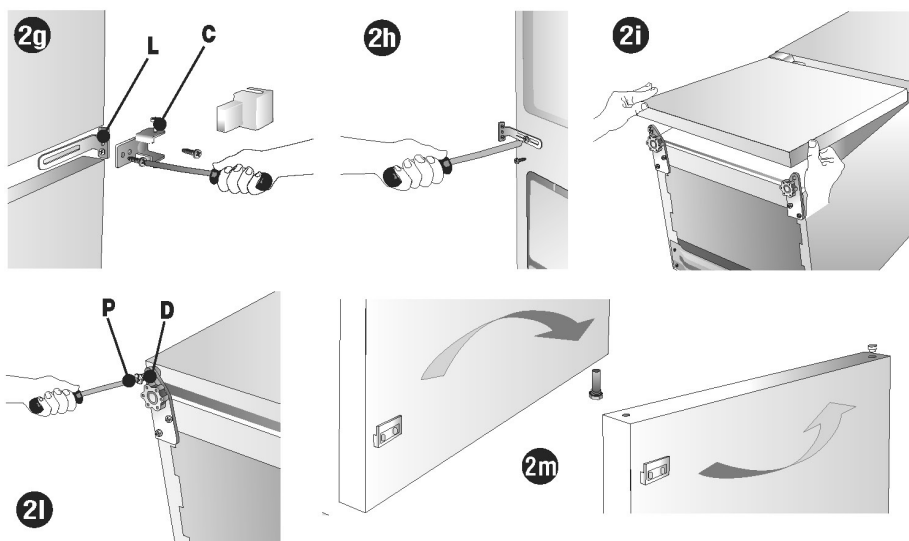
2g Установите петлю С и опору L с левой стороны. (Накладку Н следует поставить в конце установки).

2h Установите центральную опору L с правой стороны.

2i Установите нижнюю дверь.

2l Вставьте ось Р, проложив накладку D.

2m Снимите элементы скольжения дверей S и установите их с противоположной стороны.



При установке прибора необходимо придерживаться следующих правил:

A Не следует устанавливать прибор рядом с источниками тепла, например, нагревателями, отопительными батареями, плитами и т.д., а также избегайте установки в месте, где прибор будет подвержен воздействию прямых солнечных лучей.

B Убедитесь в том, что во время автоматического размораживания вода,

стекающая по задней стенке камеры, собирается в специальный сливной желоб.

C После того как прибор установлен в выбранном месте, перед подсоединением к сети, следует оставить его на один час, уже никуда не перемещая.

D Перед тем как положить продукты, убедитесь в том, что прибор работает надлежащим образом.

⚠ ВНИМАНИЕ! Не устанавливайте прибор рядом с источниками тепла. Проследите, чтобы над прибором оставался сверху воздушный зазор не менее 5 см.

⚠ УСТАНОВКА В ШКАФ-СТОЙКУ

Размеры стойки для встраивания холодильника должны соответствовать значениям, указанным на рисунке.

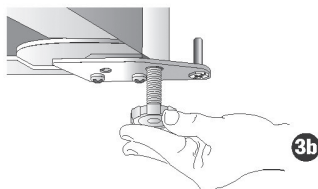
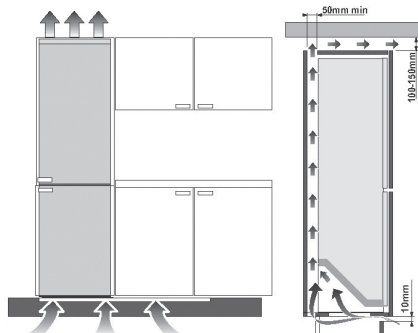
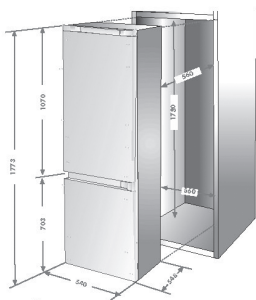
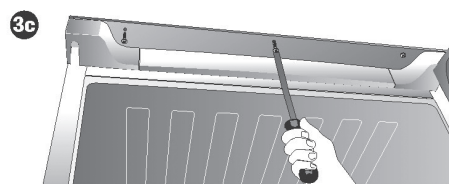
3a Вставьте прибор в соответствующее пространство стойки, приклонив его к стенке, примыкающей к стороне открывания двери. Убеди-

тесь в том, что боковая панель прибора вошла в стойку на 53 мм.

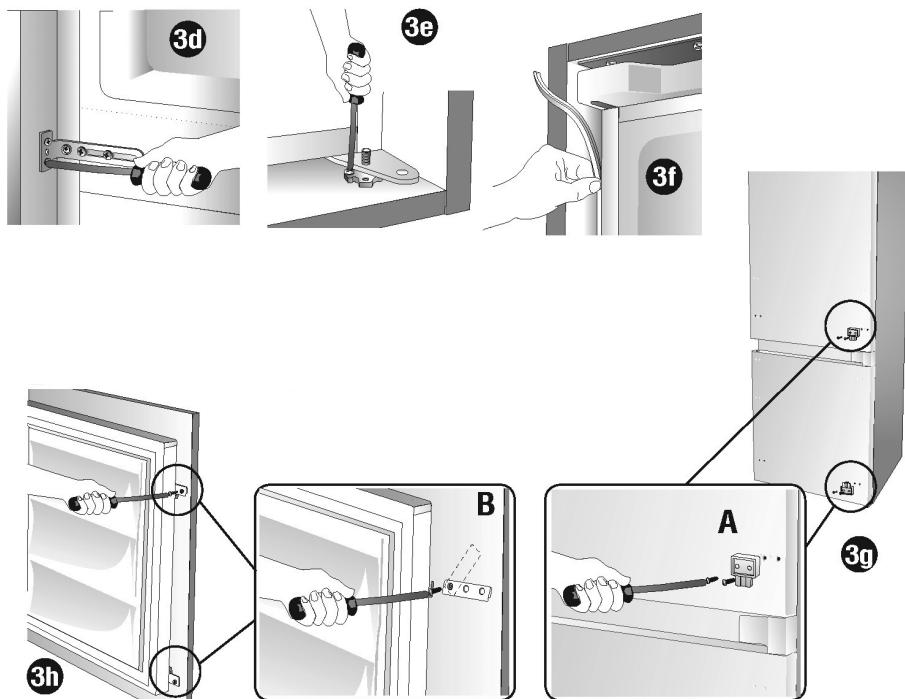
3b Отрегулируйте ножку таким образом, чтобы верхняя пластина не соприкасалась со стойкой.

3c Прикрепите верхнюю часть прибора прилагаемыми винтами к перфорированной пластине, расположенной над передней панелью.

3d Прикрепите центральную часть прибора специальными скобами к стенке стойки.



Холодильник NRB 17761



3d Прикрепите центральную часть прибора специальными скобами к стенке стойки.

3e Закрепите две нижние ножки в соответствующих отверстиях в основании стойки.

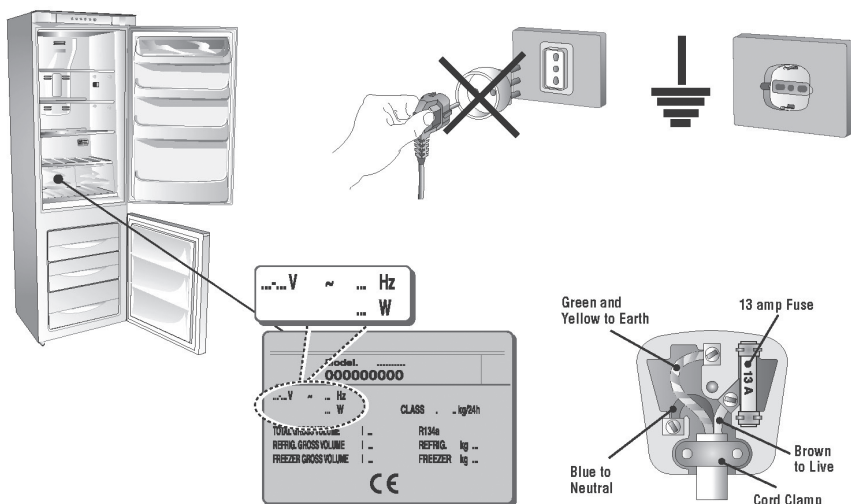
3f Установите пластиковую уплотнительную прокладку (если предусмотрена).

3g Проверьте, чтобы направляющие скольжения А двери находились

в положении, противоположном месту открывания, в противном случае, снимите их и установите с противоположной стороны.

3h Закрепите прилагаемые в комплекте направляющие В на створке стойки для холодильника в первом отверстии таким образом, чтобы направляющая могла вращаться до зацепления с направляющей скользящей двери холодильника А.

⚠ ПОДКЛЮЧЕНИЕ К ЭЛЕКТРИЧЕСКОЙ СЕТИ

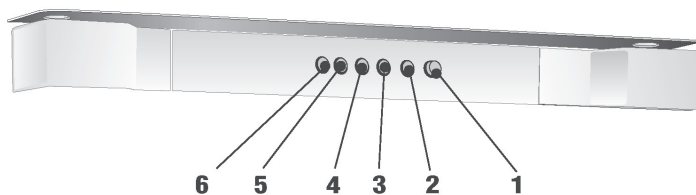


Убедитесь в том, что значение напряжения, указанное на паспортной табличке изделия, совпадает с напряжением электросети помещения. Паспортная табличка находится внутри морозильной камеры слева внизу.

Если розетка не заземлена или вилка не подходит к розетке, обратиться в авторизованный сервис-центр.

Во избежание возникновения пожара запрещается использовать удлинители и переходники для подключения прибора к электросети

⚠ ПОЛЬЗОВАНИЕ ХОЛОДИЛЬНОЙ КАМЕРОЙ



ПАНЕЛЬ УПРАВЛЕНИЯ

1. Клавиша
⇒ On (вкл) и off (выкл)
⇒ Регулировка температуры
⇒ Включение функции super2
2. Зеленая лампочка – положение минимальной температуры
3. Зеленая лампочка – положение средней температуры
4. Зеленая лампочка – положение максимальной температуры
5. Желтая лампочка – функция super.
6. Красная лампочка – функция сигнала тревоги (морозильная камера)

Холодильник NRB 17761

ОПИСАНИЕ ПРИБОРА

Прибор состоит из двух камер:

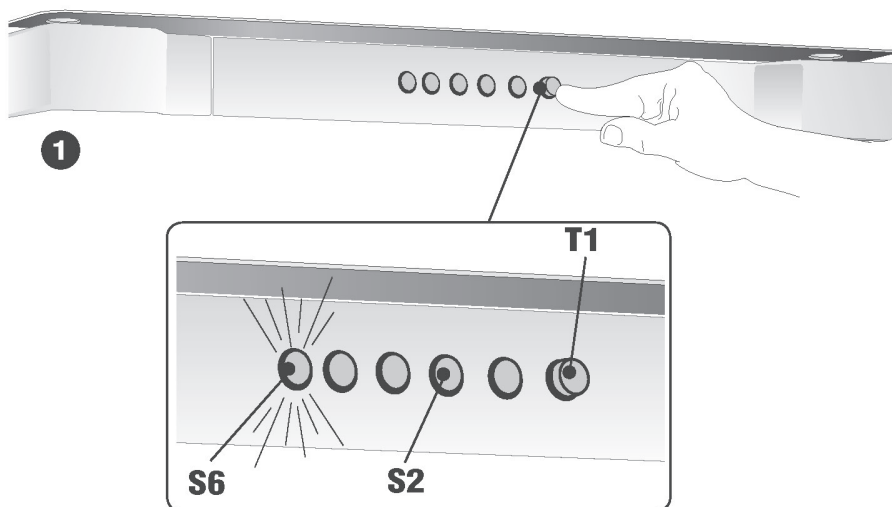
➔ холодильника (верхняя часть) — для хранения свежих продуктов и напитков

➔ морозильной камеры (нижняя часть) — для длительного хранения мороженой продуктов (нижнее отде-

ление) и заморозки свежих продуктов (верхнее отделение).

ДО ПУСКА ПРИБОРА В РАБОТУ

Для очистки внутренних емкостей и принадлежностей прибора придерживайтесь инструкций, приведенных в главе «Очистка»

**ПОДКЛЮЧЕНИЕ ПРИБОРА**

Проверьте, чтобы напряжение электрической сети соответствовало напряжению, указанному на табличке прибора, и чтобы электрическая розетка имела заземление. Не пользуйтесь переходниками, из-за которых может возникнуть перегрев.

! **ВНИМАНИЕ!** при отключении и медленном повторном включении прибора компрессор приходит в дей-

ствие примерно через 10 минут. Это является признаком нормальной работы прибора.

ПУСК В ДЕЙСТВИЕ И РЕГУЛИРОВКА ОТДЕЛЕНИЯ ХОЛОДИЛЬНИКА

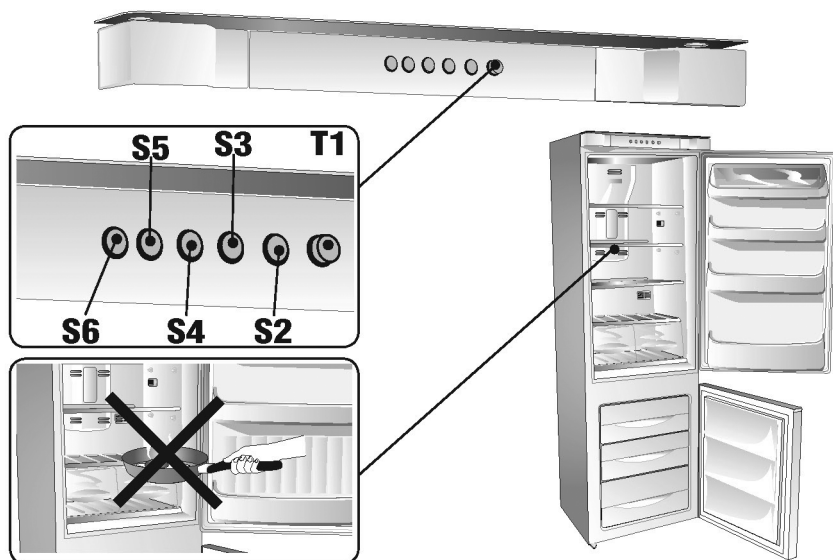
Если при установке вилки в электрическую розетку зеленая лампочка (S2) (положение минимальной температуры) не загорается, это означает, что прибор выключен.

Чтобы привести прибор в работу, нажмите в течение не менее 0,5 секунд клавишу T1. Чтобы прервать работу прибора, нажмите клавишу T1 в течение не менее 4 секунд.

При включении прибора его работа обозначается включенной зеленой

лампочкой (S2) (положение минимальной температуры).

Если температура в отделении морозильной камеры высокая, мигает также красная лампочка (S6) (сигнал тревоги), которая автоматически гаснет по достижении в камере температуры -12°C .



Программирование и регулировка температуры: в приборе можно настроить один из трех разных температурных режимов, обозначаемых тремя зелеными лампочками (S2–S3–S4). Чтобы изменить настройку, следует нажать клавишу (T1). При этом при каждом нажатии гаснет зажженная лампочка, и мигает следующая в течение 4 секунд. Это происходит в последовательности S2 – S3 – S4 – S5.

Когда лампочка перестает мигать, соответствующая новая настройка вводится в память прибора. Включение функции SUPER (S5) происходит, когда клавишей (T1) включается и горит ровным светом желтая лампочка (S5).

Запрограммированные функции сохраняются в памяти даже при отсутствии тока и при отключении прибора от сети.

Холодильник NRB 17761

! Примечание

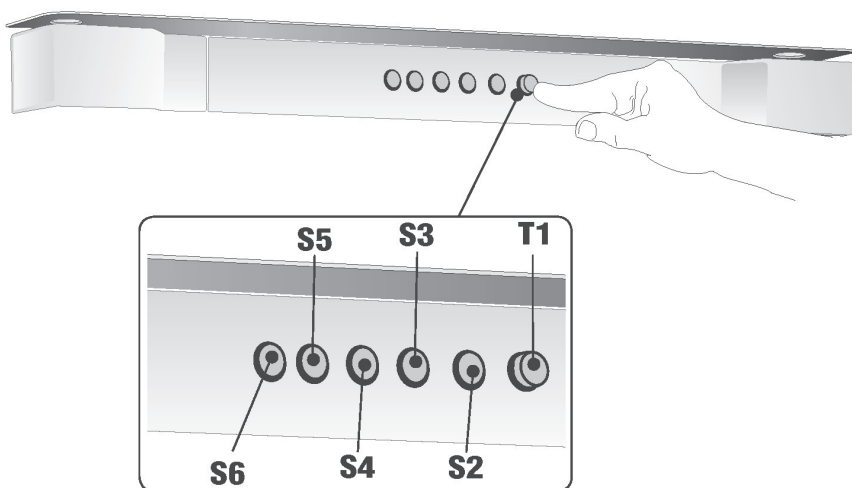
⇒ Расстояние между полками и внутренней задней стенкой холодильника обеспечивает свободную циркуляцию в приборе воздуха.

⇒ Не кладите продукты в отделение холодильника так, чтобы они касались его внутренней задней стенки.

⇒ Не ставьте на полки еще горячие блюда.

⇒ Храните жидкости в закрытых емкостях.

Система NO-FROST обеспечивает в приборе наличие постоянной температуры и его способность быстрее охладить продукты. Принудительная циркуляция воздуха при отсутствии влажности довольно быстро сушит продукты, поэтому рекомендуется хранить их в закрытых емкостях.

**! ПОЛЬЗОВАНИЕ МОРОЗИЛЬНОЙ КАМЕРОЙ**

Морозильная камера включается автоматически

После включения прибора необходимо подождать около трех часов для того, чтобы была достигнута температура, необходимая для хранения замороженных продуктов.

Функция SUPER

Функция SUPER включается при неоднократном нажатии клавиши (T1), пока не загорится желтая лампочка S5.

Функция SUPER автоматически отключается примерно через 27 часов, однако, ее можно также отключить в любой момент нажатием клавиши T1 до момента необходимой новой

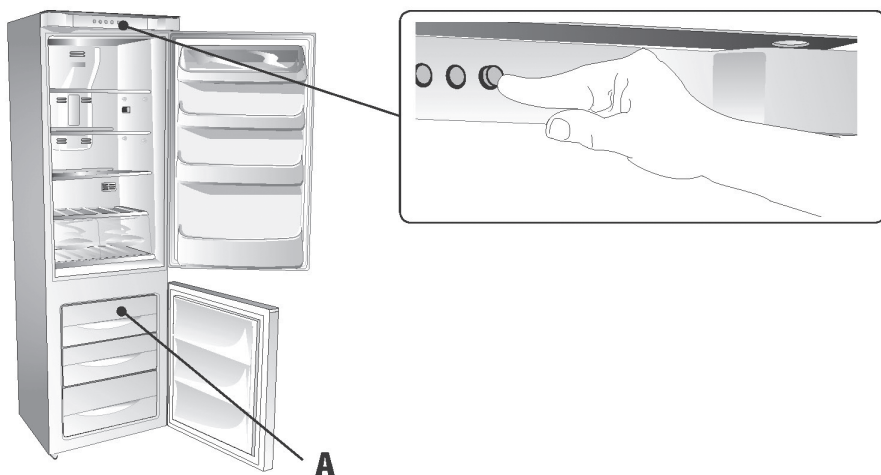
настройки. Во время действия функции SUPER компрессор работает в режиме: 65 минут включен и 25 минут выключен.

Сигнал тревоги высокой температуры

Аварийный сигнал включается, когда температура внутри морозильной камеры поднимается выше -12° (например, -11°). Об этом сигнализирует мигающая красная лампочка (S6).

Возможные причины

- ⇒ В морозильную камеру положено избыточное количество продуктов (смотри способы заморозки).
- ⇒ Дверь камеры осталась открытой.
- ⇒ Прервана подача электроэнергии.
- ⇒ В приборе имеется какая-то неисправность.



⚠ ПРИМЕЧАНИЕ

Для оптимизации объема морозильной камеры, не нарушая при этом действие прибора, из камеры можно вынуть 3 верхних ящика и оставить только один нижний ящик.

⚠ ВАЖНО

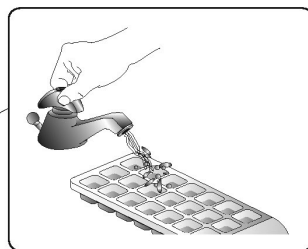
⇒ Если продукты начали размораживаться, ни в коем случае не замораживайте их повторно.

⇒ Не храните мороженые продукты дольше рекомендуемого срока хранения.

РАЗМОРАЖИВАНИЕ МОРОЗИЛЬНОЙ КАМЕРЫ

Размораживание происходит автоматически и не требует какого бы то ни было вмешательства.

Холодильник NRB 17761

**РЕКОМЕНДАЦИИ**

Не кладите в рот кубики льда и не ешьте мороженое типа эскимо, которые только что были вынуты из морозильной камеры, во избежание ожогов от холода.

Не кладите в морозильную камеру закупоренные емкости, содержащие жидкости, напитки и т.п. Горячие продукты или напитки перед охлаждением должны быть предварительно остужены.

**ХРАНЕНИЕ
ЗАМОРОЖЕННЫХ ПРОДУКТОВ**

Срок эффективного хранения замороженных продуктов варьируется в зависимости от типа продукта. Строго соблюдайте рекомендации по хранению замороженных продуктов, указанные на упаковке

**ПРИГОТОВЛЕНИЕ
КУБИКОВ ЛЬДА**

Наполните емкость для льда водой и поставьте ее в соответствующее выдвижное отделение морозильной камеры (если предусмотрено).

**СОВЕТЫ
ПО ХРАНЕНИЮ
ЗАМОРОЖЕННЫХ
ПРОДУКТОВ**

Убедитесь, что упаковочный материал не поврежден, на упаковке нет влажных пятен, и упаковка не вздулась. В противном случае замороженный продукт может испортиться.

Не храните замороженные продукты дольше определенного срока хранения, существующего для каждого вида продуктов.



УПАКОВКА СВЕЖИХ ПРОДУКТОВ ДЛЯ ЗАМОРОЗКИ

В вашем приборе имеются четко разделенные отделения.

⇒ Верхний ящик "А" служит для заморозки свежих продуктов.

⇒ 2 нижних ящика должны использоваться только для хранения мороженных продуктов.

Для оптимальной заморозки продуктов необходимо включить функцию быстрой заморозки (SUPER) минимум за 3 часа до размещения в камере продуктов.

Рекомендуется замораживать только продукты высокого качества и герметически упакованные, чтобы они не потеряли свои вкусовые характеристики и не высохли. На каждую упаковку приклейте этикетку с указанием содержимого упаковки и даты заморозки. Количество свежих продуктов, которое можно заморозить в течение 24 часов, указано на опознавательной табличке прибора (8 кг/24 ч).

Следите, чтобы продукты для заморозки не касались уже мороженных продуктов во избежание повышения их температуры. Поэтому выньте мороженные продукты из отделения "А" и положите их в нижние ящики.

РАЗМОРАЖИВАНИЕ

При сбое подачи электроэнергии Вам необходимо узнать его возможную продолжительность. Если это время не превышает 12 часов, вы можете оставить продукты в морозильной камере и держать дверь закрытой. Если отключение энергии продлится больше 12 часов и часть продуктов может разморозиться, то необходимо использовать эти продукты в первую очередь.

⇒ вынуть все продукты, завернуть их в газетную бумагу и положить на хранение в холодильник или в прохладное место;

⇒ необходимо учитывать, что повышение температуры продуктов значительно сокращает их срок хранения.

! **ОСТОРОЖНО!** Не пользуйтесь какими бы то ни было предметами или Щ другими искусственными методами, отличающимися от рекомендуемых

Холодильник NRB 17761

изготовителем, для ускорения процесса размораживания.

! **ВНИМАНИЕ:** Не пользуйтесь в отделении хранения продуктов электрическими приборами, если они не соответствуют рекомендуемым изготовителем.

! **ЧИСТКА**

ОСТОРОЖНО: не пользуйтесь электроприборами внутри отделения для хранения продуктов, если они отличаются от тех, что рекомендуются производителем.

Прежде чем выполнить какую-либо операцию по уборке прибора, отсоедините его от сети.

Неквалифицированному персоналу запрещается снимать защитные приспособления (проволочная сетка, картер): ни в коем случае нельзя допускать работу прибора без этих защит,

Чистка внутри всех пластмассовых частей и дверной прокладки

Нельзя пользоваться никакими абразивными составами и моющими веществами,

⇒ Пользуйтесь только раствором питьевой соды в теплой воде в соотношении ложки на 2 литра воды,

1 Чистка конденсатора

⇒ Выполняйте не реже двух раз в год.

⇒ Пользуйтесь бытовым пылесосом или щеткой. Грязный конденсатор отрицательно влияет на работу прибора, снижая ее эффективность.



Перед длительным отсутствием

- ⇒ Опорожните отделения.
- ⇒ Отключите прибор от электрической сети.
- ⇒ Вымойте оба отделения и высушите их.
- ⇒ Оставьте двери открытыми, чтобы предотвратить возникновение неприятных запахов и плесени.

Чистка сливной трубки

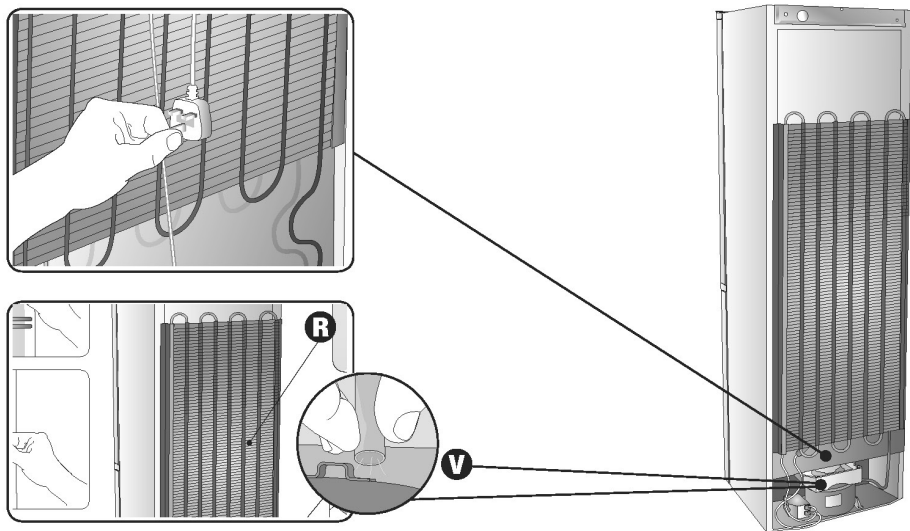
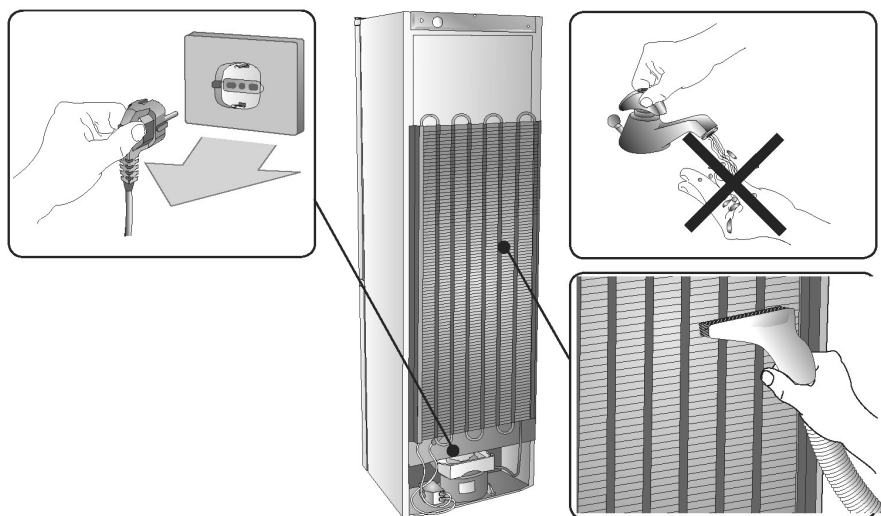
Одновременно с чисткой конденсатора проверьте, чтобы сливная трубка R не была засорена.

⇒ Выньте сливную трубку R из ванночки V и, если нужно, прочистите ее.

Кабель питания

⇒ Периодически проверяйте на целостность кабель питания.

⇒ В случае повреждения кабеля не пользуйтесь прибором и не пытайтесь его починить, для замены кабеля обратитесь к квалифицированному мастеру.



Холодильник NRB 17761

! ПОИСК НЕИСПРАВНОСТЕЙ**1) Прибор не работает**

- ⇒ Прервана подача питания?
- ⇒ Плохо вставлена вилка в розетку?
- ⇒ Поврежден кабель питания?
- ⇒ Неправильная настройка температуры?

2) Температура внутри отделений недостаточно низкая

- ⇒ Плохо закрываются двери?
- ⇒ Прибор установлен вблизи от источника тепла?
- ⇒ Неправильная настройка температуры?
- ⇒ Загрязнен конденсатор?

3) Температура внутри холодильной камеры слишком низкая

- ⇒ Термостат в верном положении?

4) Слишком сильный шум при работе прибора

- ⇒ Прибор касается мебели или других предметов?
- ⇒ Трубы с задней стороны касаются друг друга или вибрируют?
- ⇒ Прибор выставлен по уровню?

5) Сигнальная лампочка N остается включенной

- ⇒ См. главу **ЭКСПЛУАТАЦИЯ – МОРОЗИЛЬНАЯ КАМЕРА.**

6) Вода на полу

- ⇒ Ванночка V хорошо вставлена и касается компрессора?
- ⇒ Сливная трубка R хорошо вставлена в ванночку?



⚠ ЦЕНТР ТЕХНИЧЕСКОГО ОБСЛУЖИВАНИЯ

Прежде чем обратиться в Центр техобслуживания

☞ Проверьте, нельзя ли самостоятельно устранить неисправность (см. "Поиск неисправностей").

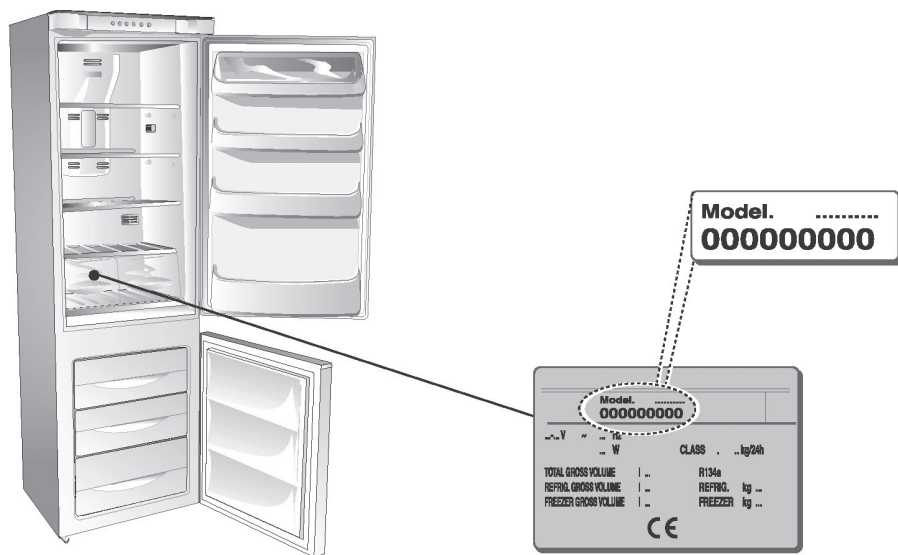
☞ Вновь включите прибор, чтобы убедиться в том, что неисправность действительно устранена. Если же это не так, отключите прибор и повторите операцию через час.

Если прибор не работает должным образом или вообще не работает, прежде чем вызывать мастера, рекомендуется проверить:

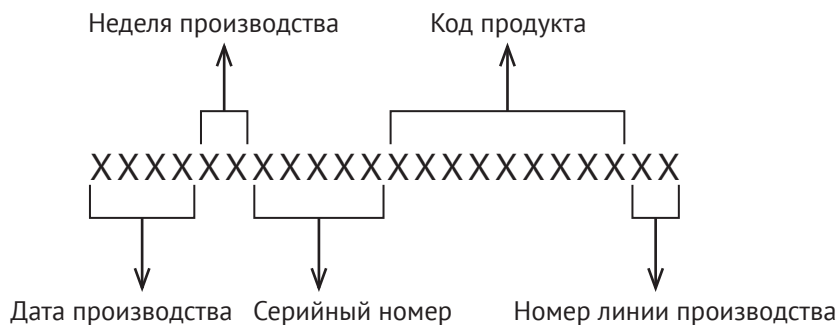
- ☞ правильно ли вставлена вилка в розетку;
- ☞ наличие напряжения в электрической сети;
- ☞ правильность настройки температуры;
- ☞ плотность закрытия дверей;
- ☞ соответствие напряжения питания напряжению прибора ($\pm 6\%$);
- ☞ если после этого прибор все еще не работает, обратитесь в Центр технического обслуживания.

Сообщите:

- ☞ тип неисправности
- ☞ модель прибора
- ☞ номер паспорта



Serial Number Chart:



Производители:

Дж. П. Индастриз С.п.А.

Виа Данте, 284, 60044 Фабриано (Анкона), Италия

Уполномоченное изготовителем лицо/импортер:

ООО «Эм-Джи Русланд», 141400
г.Химки, ул.Бутаково, д.4


ООО «Купперсберг-Импорт», 125438,
г. Москва, ул. Автомоторная, д. 7

Сделано в ЕС


NOTES / ДЛЯ ЗАМЕТОК

ООО «КУППЕРСБЕРГ-СЕРВИС»

УСТАНОВКА, ГАРАНТИЙНОЕ И ПОСТГАРАНТИЙНОЕ ОБСЛУЖИВАНИЕ
ПО МОСКВЕ И МОСКОВСКОЙ ОБЛАСТИ

 +7 (495) 236-90-67

Телефон горячей линии Kuppersberg:

 8 (800) 250-17-18

(Звонки для всех регионов бесплатные).

 Часы работы линии: с 9:00 до 18:00 Пн-Пт

⇒ Полный список авторизованных сервисных центров Kuppersberg можно найти на официальном сайте компании

 <http://kuppersberg.ru>

⇒ Данный паспорт технического изделия заменяет гарантийный талон.

⇒ Гарантийный срок исчисляется со дня заключения договора купли-продажи.

⇒ При отсутствии документов подтверждающих покупку, эти сроки исчисляются со дня изготовления товара (Ст. 19 ЗоЗПП, пункт 2).

УСЛОВИЯ ГАРАНТИИ

Настоящие условия гарантии действительны на территории России, если иные условия не установлены действующим законодательством:

1. Изготовитель устанавливает гарантийный срок 2 (два) года со дня передачи Потребителю на следующие виды техники: воздухоочистители, встраиваемую технику. Срок службы бытовой техники «Kuppersberg» при соблюдении правил эксплуатации и применения ее в бытовых целях составляет 10 (десять) лет.

2. Гарантия распространяется на изделия, используемые только для личных, семейных, домашних нужд, а также нужд, не связанных с осуществлением предпринимательской деятельности.

3. Проследите, чтобы гарантийный талон был правильно заполнен, не имел исправлений и в нем были указаны: дата продажи, штамп торговой организации и подпись продавца, модель и серийный номер изделия, дата установки, название и штамп фирмы-установщика.

4. Сохраняйте гарантийный документ, чек на проданное изделие и квитанцию на услуги по его установке (доставке), доработке водяных и электрических внутриквартирных коммуникаций, а также любые другие документы, относящиеся к гарантийному или техническому обслуживанию изделия.

5. Прежде чем вызвать специалиста сервисного центра, внимательно прочитайте инструкцию по эксплуатации изделия. Если изделие исправно, то за сервисным центром остается право требовать от Потребителя оплаты ложного вызова.

6. Любые претензии по качеству изделия рассматриваются только после предварительной проверки качества изделия представителем сервисного центра.

7. Изготовитель не несет какой-либо ответственности за любой возможный ущерб, нанесенный потребителю, в случае несоблюдения последним требований Изготовителя, указанных в данном гарантийном документе и инструкции по эксплуатации.

Гарантия не распространяется на изделия, недостатки в которых возникли вследствие:

1. Несоблюдения требований Изготовителя, указанных в гарантийном документе;
2. Несоблюдения Потребителем правил установки, подключения, эксплуатации, хранения или транспортировки изделия, указанных в инструкции по эксплуатации;
3. Ремонта неуполномоченными на то лицами, если таковой ремонт повлек за собой отказ изделия;
4. Разборки изделия, изменения конструкции и других вмешательств, непредусмотренных инструкцией по эксплуатации;
5. Неисправностей и повреждений, вызванных экстренными условиями и действием непреодолимой силы (пожар, стихийные бедствия, и т.д.);
6. Повреждений техники или нарушений ее нормальной работы, вызванных животными или насекомыми;
7. Повреждений техники или нарушений ее нормальной работы, вызванных сверхнормативными отклонениями параметров сети электро-, газо-, или водоснабжения от номинальных значений;
8. Использования изделия для предпринимательской деятельности или в непредусмотренных целях;
9. Образования на нагревательных элементах избыточного слоя накипи (при повышенной жесткости воды необходима обработка соответствующими составами);
10. Попадания во внутренние рабочие объемы изделия посторонних предметов, мелких деталей одежды или остатков пищи;
11. Механических повреждений изделия Потребителем (царапины, трещины, сколы и т.п.);
12. Потери товарного вида изделия вследствие воздействия на изделие химических веществ;
13. Термических и других подобных повреждений, которые возникли в процессе эксплуатации.

Изготовитель не принимает претензии в следующих случаях:

1. Несоблюдение правил установки;
2. Отсутствие оригинального гарантийного талона;
3. Отсутствие в гарантийном талоне следующих сведений: даты продажи, штампа торгующей организации, подписи продавца, модели и серийного номера изделия;
4. Внесение любых исправлений (изменений) в текст гарантийного документа.

Установка и подключение крупной бытовой техники:

1. Производитель рекомендует Вам доверить установку и подключение изделия «Kuppersberg» специалистам сервисного центра. Вы можете также обращаться в любую другую организацию, имеющую сертификат на оказание подобных услуг.

2. Оплата работ по установке и подключению изделия происходит по прејскуранту сервисного центра. Условия оплаты работ по установке и подключению регулируются действующим законодательством. Изготовитель не несет какой-либо ответственности за любой ущерб, нанесенный имуществу граждан вследствие установки и подключения, не соответствующих требованиям, указанным в инструкции по эксплуатации, и произведенных неуполномоченными на то лицами.

3. В случае нарушения требований Изготовителя по установке и подключению, ответственность за причиненный ущерб несет лицо, проводившее эту работу.

4. Газовая бытовая техника может быть установлена только специалистом, имеющим допуск на установку газового оборудования. Гарантийное обслуживание осуществляется только при наличии отметки об установке или документа уполномоченной организации.

Изделие, имеющее трех-контактную сетевую вилку, обязательно должно быть заземлено!



NOTES / ДЛЯ ЗАМЕТОК



⇒ **ВНИМАНИЕ!**

**ДАННЫЙ ПАСПОРТ ИЗДЕЛИЯ
ТАК ЖЕ ЯВЛЯЕТСЯ
ГАРАНТИЙНЫМ ТАЛОНОМ,
ПРОСЬБА НЕ УНИЧТОЖАТЬ
ДО КОНЦА ЭКСПЛУАТАЦИИ
ТЕХНИКИ.**

⇒ Kuppersberg

⇒ www.kuppersberg.ru

⇒ info@kuppersberg.ru