

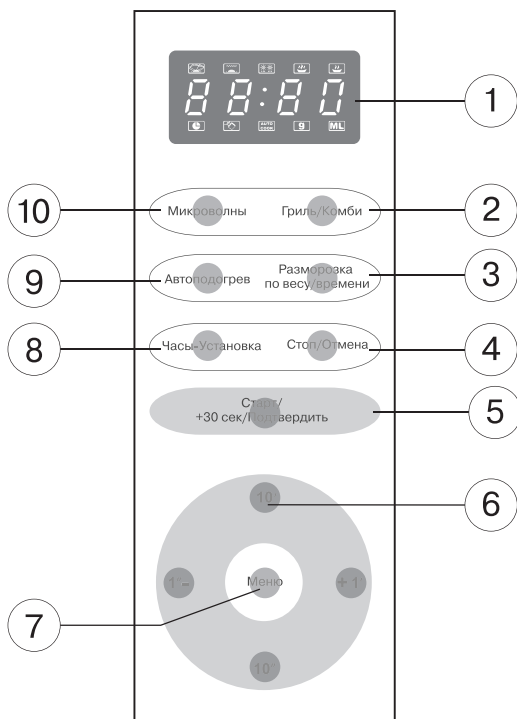
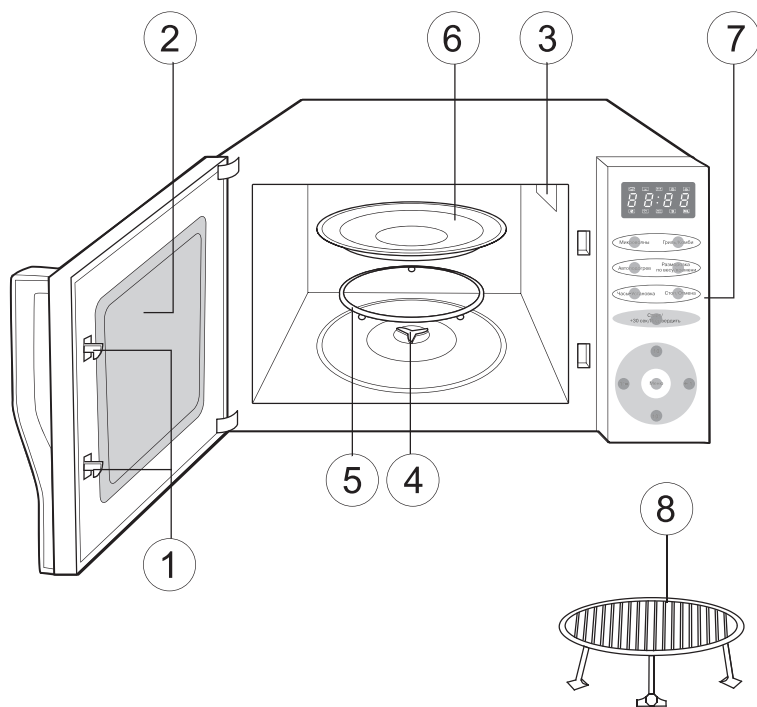
VT-1682

Microwave oven

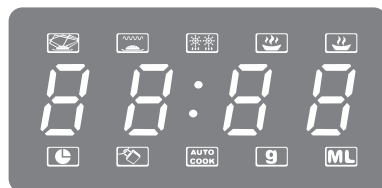
Микроволновая печь

Инструкция по эксплуатации

GB Manual instruction	3
RUS Инструкция по эксплуатации	15
KZ Пайдалану нұсқасы	29
UA Інструкція з експлуатації	42
BEL Інструкцыя па эксплуатацыі	56
UZ Фойдаланиш қоидалари	70



Панель управления



MICROWAVE OVEN

Please acquaint yourself with these instructions before using your microwave oven.

If these instructions are strictly adhered to, your microwave oven will serve you trouble free for many years.

Store these instructions in an easily accessible location

PRECAUTIONS, WHICH SHOULD BE FOLLOWED IN ORDER TO AVOID NEGATIVE IMPACT OF MICROWAVE ENERGY

1. Do not try to operate the unit when the door is open, it can cause risk of negative impact of microwave energy. It is very important not to damage inner locks and interlock mechanism of the door.
2. Do not place foreign objects between the door and the front panel of the microwave oven; do not allow food remains and detergents accumulate on the screen shield and inner side of the door.
3. Do not use the oven when it is damaged, the door should be closed properly, and the unit should not have any damages of:
 - the door (bent)
 - hinges and latches (broken or loose)
 - screen shield on the inside of the door
4. Do not make changes to the electric chains of the interlocks of the door.
5. Adjustments and repair of the microwave oven should be performed only by the authorized service personnel.

IMPORTANT SAFEGUARDS

WARNING: If the screen shield is damaged, the usage of the microwave oven is prohibited.

WARNING: Repairing a microwave oven always presents danger to any person conducting the repairs if it is necessary to remove the metal housing that provides protection from microwave radiation. Do not repair the microwave oven yourself.

WARNING: Do not forget to open products packaged in hermetic or vacuum packaging before heating or cooking. Otherwise, pressure could grow within the package and cause its explosion, regardless of whether or not the food was prepared earlier.

- Use only microwave safe dishes. Do not use metallic dishes in the microwave oven as microwaves reflected off the dish may cause sparks and fire.
- In order to avoid overheating and burning food, constantly supervise the microwave's operation if you are heating food in disposable plastic, paper or other similar containers or if the oven is heating only a small amount of food.
- When heating any kind of liquid (water, coffee, milk, etc.), keep in mind that it can suddenly start to boil and splash on your hands while you are removing it from the oven. To avoid this, place a heat resistant plastic spoon or glass mixer in the container and stir the liquid before removing it from the oven.
- Infant feeding bottles and jars of baby food should be heated without lids or teats. Their contents should be mixed or periodically shaken. Test the temperature of the food before feeding in order to prevent burns.

Important information

- ALWAYS check to make sure the food is not too hot before giving it to a child. We recom-

ENGLISH

mend shaking the bottle or jar to make sure the heat is distributed evenly throughout the volume of the container.

- Do not cook an egg in its shell or reheat an egg in its shell in MICROWAVE mode as they can break from the internal pressure.

SAFETY MEASURES

1. Install the oven on a flat, stable surface. Choose a place that will not be accessible to small children.
2. Install the oven so that the distance between the wall and the back of the oven is no less than 7-8 cm and the free space above the microwave is no less than 30 cm.
3. The microwave door is equipped with a blocking system that turns off the power when it is open. Do not make changes to the operation of the door blocking mechanism.
4. Do not turn on the microwave while empty; operating the oven with no food inside can lead to malfunction.
5. Preparing foods with extremely small moisture contents can lead to burning and fire.

If a fire occurs:

- Do not open the door.
 - Turn off the microwave oven and disconnect the plug from the electrical outlet.
6. When preparing bacon, do not place it directly on the glass tray; localized overheating of the glass tray can cause it to crack.
 7. Do not heat liquids in containers with narrow openings.
 8. Do not attempt to heat products to a well done state.
 9. Do not use the microwave for canning and preserving food because there is no way of knowing if the contents of the jar reached boiling temperature.
 10. In order to avoid prolonged rapid boiling of liquid foods and drinks, and also to prevent burns, we recommend stirring the product before and in the middle of the cooking process. To do this, start cooking, wait a while, remove the dish from the oven and stir, then place it back in the oven to continue the cooking process.
 11. Clean the microwave oven regularly. Irregular care for your oven can lead to poor outward appearance, negatively affects its operating ability, and also can lead to danger during further usage.

Rules that should always be remembered:

1. Do not exceed product cooking times in the microwave oven. Always monitor the cooking process when using dishes made from paper, plastic and other flammable materials.
2. Never use the microwave oven to store things. Never store flammable materials and food in the microwave like bread, cookies, paper packaging, etc., because during lightning storms, the microwave oven can turn on by itself.
3. Metal ties and wire handles must be removed from paper and plastic bags and containers before placing them into the microwave oven.
4. The microwave oven should be properly grounded. Only connect the microwave oven to an electrical outlet that is properly grounded.
5. Some food items like eggs in their shells, liquid or hard fats, and also hermetically sealed jars and sealed glass containers can be explosive and should not be placed in your microwave oven.
6. Use your microwave oven exclusively for the purposes for which it was designed and in strict adherence to the instructions explained herein.

7. The microwave oven is designed exclusively for heating and preparing food and is not designed for laboratory or industrial use.
8. Pay special attention when children are using the microwave oven.
9. Do not use the microwave oven if the power cord or plug is damaged, or if the oven has been damaged or dropped.
10. Repair of the microwave oven should only be conducted by qualified specialists at an authorized service center.
11. Do not block the ventilation openings on the microwave oven housing.
12. Do not store or use the microwave oven outdoors.
13. Do not use the microwave oven near water, immediately near kitchen sinks, in damp basements or directly near swimming pools.
14. Do not immerse the power cord and plug in water.
15. Avoid contact of the power cord and plug with hot surfaces.
16. Do not allow the power cord to hang off the edge of the table or counter.
17. When cleaning the door and internal surfaces of the microwave oven, always use a soft, nonabrasive cleanser on a sponge or soft cloth.
18. Do not allow children to use the unit as a toy.
19. Close supervision is necessary if children or disabled persons use the unit.
20. This unit is not intended for usage by children or disabled persons unless they are given all the necessary instructions on safety measures and information about danger, which can be caused by improper usage of the unit.
21. Be careful! Outer surfaces of the unit, including the door, heat up during operation.
22. Place the unit with its rear panel to the wall.

CAUTION

Injury due to electric shock

Touching the elements of the electrical circuits inside the microwave oven can lead to serious trauma and injury from electric shock. Do not take apart the microwave oven yourself.

Grounding the Microwave Oven

The microwave oven should be properly grounded. In case of any kind of short-circuit; grounding reduces the risk of electric shock, as the current will flow through the ground wire.

The microwave oven uses a power cord with ground wire and a grounded plug. The plug should be connected to an electrical outlet that also has a ground contact.

WARNING: Connecting a grounded plug to an ungrounded outlet can lead to electric shock.

Consult with a qualified electrician if you do not understand these grounding instructions or if you are not sure that the microwave oven is properly grounded.

- In order to avoid confusion, the microwave oven is equipped with a short power cord.
- If an extension cord is necessary, only use a 3-wire extensions cord with ground contacts on the power plug and outlet(s).
- The sectional markings on the microwave oven power cord should match those on the extension cord.
- The extension cord should not hang off the edge of the table where children can pull on it; it should be placed where it will not be walked on.

ENGLISH

Dishes for microwave ovens

CAUTION!

- Tightly sealed containers heated in a microwave can be explosive.
- Sealed containers should be opened and plastic bags should be poked a few times with a fork in order to allow steam to escape before being placed in the microwave oven.
- If you are unsure about using a certain dish in the microwave oven, then conduct a test. Checking dishes before using them in the microwave
- Place the dish in the cooking chamber of the oven (a plate, for example) and place a glass cup of water in the center of the dish.
- Set the microwave to maximum power and heat for no more than one minute.
- Carefully touch the dish you are testing: if it heated up and the water in the cup is cold, than the dish should not be used in the microwave.
- Avoid testing dishes for more than one minute.

Materials and cookware intended for usage in the microwave oven

Aluminum foil	Foil can be used only in the Grill mode. The distance between the foil and the oven walls should be not less than 2,5 cm. Small pieces of foil can be used to cover thin slices of meat or chicken, to avoid over roasting. In the microwave mode, if the foil is too close to the oven walls, sparkling, and burning-out of spill shield on the door or breakdown of the oven can happen. In this case you will forfeit a right for free warranty service and repair.
Cookware for frying	Follow the manufacturer's instructions. The bottom of the cookware should be 5 mm thicker than that of the rotating glass tray. Improper usage of the cookware for frying can lead to the appearance of cracks in the cookware and in the glass tray.
Dinner cookware	Only cookware intended for usage in the microwave oven. Follow the manufacturer's instructions. Do not use cookware with cracks and chips.
Glass containers	Only containers made of heat-resistant glass and intended for usage in the microwave oven. Make sure that there are no metal rings. Do not use containers with cracks and chips.
Glassware	Only cookware made of heat-resistant glass and intended for usage in the microwave oven. Make sure that there are no metal rings. Do not use cookware with cracks and chips.
Cooking in the microwave oven with usage of special bags	Follow the manufacturer's instructions. Do not close the bags using metal twists and overwinds. Make one or several openings in the bags for steam output.
Paper plates and cups	Use only for short-time cooking/heating. Do not leave the microwave oven unattended during cooking/heating of products in such cookware.
Paper towels	You can cover products to keep heat in them and to avoid splashing of fat. Use paper towels only under control and for short-time cooking/heating.
Parchment	Use to prevent fat from splashing and as a wrapping. Use parchment only under control and for short-time cooking/heating.
Plastic	Only plastic items with a special mark "For microwave oven". Follow the manufacturer's instructions. Some plastic containers can get soften due to heating of products which they contain. Hermetically closed plastic bags should be pierced or cut as pointed out on the packages.

Plastic wrapping	Only plastic items with a special mark. You can cover products in order to preserve moisture.
Wax paper	Use to avoid fat splashing and to preserve moisture.

Materials and cookware not intended for usage in the microwave oven

Aluminum trays	Can cause sparking. Use cookware intended for usage in a microwave oven.
Cartoon cup with a metal handle	Can cause sparking. Use cookware intended for usage in a microwave oven.
Metal cookware or cookware with a metal ring	Metal shields microwave energy. Metal ring can cause sparking.
Metal twists	Can cause sparking and burning of packaging during cooking/heating of products.
Paper bags	Can cause burning in the microwave oven.
Soap	Soap can melt and cause pollution of the microwave oven chamber.
Wood	Wooden cookware can get dry, crack and flame out.

Description

1. Door interlock system
2. Viewing window
3. Microwaves output
4. Glass tray support
5. Roller ring
6. Glass tray
7. Control panel
8. Grill rack. Used only in Grill mode.

Control panel

1. Display
2. "Grill/Combi" button
3. "Defrost by weight/time" button
4. "Stop/Cancel" button
5. "Start/+30 sec/Confirm" button
6. Digital buttons
7. "Menu" button
8. "Clock/Preset" button
9. "Auto reheat" button
10. "Microwaves" button

Microwave oven assembly

Remove the packing material and accessories from the oven chamber. Inspect the oven for the presence of defects.

Special attention should be paid to the oven door. If any defects are found, do not install or operate the microwave oven.

Protective cover

Housing: If the housing is covered by a protective cover, remove it from the housing surface. Do not remove the light colored micaceous cover inside the oven; it serves to protect the magnetron.

ENGLISH

Glass tray installation

1. Place the glass tray support (4) into the opening in the oven chamber bottom.
2. Place the roller ring (5) onto the chamber bottom.
3. Accurately install the glass tray (6), aligning its protrusions with the support grooves.
Never install the glass tray with the lower side up.
 - Do not impede the glass tray rotation during the operation.
 - When cooking products, always use the glass tray, roller ring and tray support.
 - Put products and dishes only on the glass tray.
 - The glass tray can rotate clockwise/anticlockwise. This is normal.
 - If any cracks or chips have appeared on the tray, replace the tray immediately.

Installation

- Before connecting the microwave oven to the power supply socket, make sure that oven operating voltage and power consumption correspond to the parameters of the local power supply. Connect the oven to the power supply socket which has reliable grounding.
- Place the oven onto a flat, stable surface. Try to select a place away from the reach of small children.
- Install the oven so that to leave no less than 7-8 cm interval between the oven's back and side covers and the wall, free space above the oven should be no less than 30 cm.
- Do not remove supports from the microwave oven bottom cover.
- Do not close ventilation openings on the oven housing.
- The microwave oven should be placed away from TV and radios, to prevent interference when receiving TV and radio broadcast.

WARNING: Do not install the microwave oven onto a heated surface (kitchen oven) or other sources of heat.

If the microwave oven is broken because of improper use, the user will be deprived of the free guarantee right.

MICROWAVE OVEN OPERATION

Sound signal

Each pressing of a control panel button is confirmed with a sound signal.

Setting the time

1. Press the "Clock/Preset" button, the "0:00" symbol will appear on the display, hour digits will flash.
2. Use the "+" and the "-" buttons to set hours from 0 to 23.
3. Press the "Clock/Preset" button to confirm, minute digits will be flashing.
4. Use the "+" and the "-" buttons to set minutes from 0 to 59.
5. Press the "Clock/Preset" button to confirm, ":" symbols will be flashing.

Note:

- 1. If the hours are not set, the current time will not be displayed.**
- 2. If during setting the current time you will press the "Stop/Cancel" button, you will return to the previous mode.**

Setting the automatic start time

Example: set the start time at 12:12.

1. Check up if the current time settings are correct.
2. Select the desired cooking program, except the defrost program, for instance, to cook products during 10 minutes at maximal power.
3. Press the "Microwaves" button once to set maximal power.
4. Press the "10'" button to set cooking time.
Attention! Do not press the "Start/+30 sec/Confirm" button
5. Press the "Clock/Preset" button, the current time will appear on the display, hour digits will flash.
6. Use the "+" and the "-" buttons to set hours from 0 to 23.
7. Press the "Clock/Preset" button to confirm, minute digits will be flashing.
8. Use the "+" and the "-" buttons to set minutes from 0 to 59.
9. Press the "Start" button to confirm, ":" symbols will be flashing.
10. The cooking will start at the preset time.

Note:

- **The preset time should be at the range 0:00 – 23:59.**
- **If when setting the current time you press "Stop/Cancel" button or during 1 minute no actions will be performed, the unit will return to the previous mode automatically.**
- **The current time must be set before selecting the automatic start program. If a cooking program is not selected, only cooking start time is selected, you will hear five signals when this time is reached.**
- **To know the automatic start time, press the Clock/Preset button, the automatic start time will be shown on the display for 4 seconds.**

Quick cooking

1. In the current time mode press the "Start/+30 sec/Confirm" button, cooking process at maximal power (100%) during 30 seconds will start. Every further pressing of this button will increase cooking time by 30 seconds. Maximum cooking time is 99 minutes 99 seconds.

Microwave cooking

Before starting the cooking, set the needed output power and the cooking time. Maximum cooking time is 99 minutes 99 seconds.

Number of pressings of the "Microwaves" button	Display indication	Power
1	P100	100%
2	P80	80%
3	P50	50%
4	P30	30%
5	P10	10%

1. Press the "Microwaves" button to select power level, the corresponding symbols will appear on the display.

ENGLISH

2. Use digital buttons to input cooking time.
5. Press the "Start/+30 sec/Confirm" button, cooking process will start.

Defrosting products by weight

1. Press the "Defrost by weight/time" button, "dEF1" will appear on the display.
2. Use the "+" or "-" buttons to set products weight from 100 to 2000g.
3. Press the "Start/+30 sec/Confirm" button, defrosting products by the preset weight will start.

Defrosting products by time

1. Press the "Defrost by weight/time" button, "dEF2" will appear on the display.
2. Use digital buttons to input cooking time. Maximum cooking time is 99 minutes 99 seconds.
3. Press the "Start/+30 sec/Confirm" button, defrosting products by the preset time will start.

Automatic cooking menu

- **A-1 - vegetable**
- **A-2 - fish**
- **A-3 - meat**
- **A-4 - pasta**
- **A-5 - potato**
- **A-6 - pizza**
- **A-7 - soup**
- **A-8 - porridge**

Automatic cooking programs table

Automatic mode	Weight (g)	Number of press-ings	Display indications
vegetable / A-1	150	once	150
	350	twice	350
	500	thrice	500
fish / A-2	150	once	150
	250	twice	250
	350	thrice	350
	400	Four times	400
	450	Five times	450
meat / A-3	150	once	150
	300	twice	300
	450	thrice	450
	600	Four times	600
pasta / A-4	50 (450 g of water)	once	50
	100 (800 g of water)	twice	100
	150 (1200 g of water)	thrice	150
potato / A-5	1 (about 230 g)	once	1
	2 (about 460 g)	twice	2
	3 (about 690 g)	thrice	3
pizza/ A-6	1 (about 80 g)	once	1
	2 (about 160 g)	twice	2
	3 (about 250 g)	thrice	3

soup / A-7	500	once	500
	750	twice	750
	1000	thrice	1000
porridge / A-8	550	once	550
	1100	twice	1100

Example: to cook 350g of fish:

1. Press the “Menu” button twice; “A-2” will appear on the display.
2. Use “+” or “-“to set product weight, “350” will appear on the display.
3. Press the “Start/+30 sec/Confirm” button to start automatic cooking, the remaining cooking time will be displayed.

Note: The cooking result in the automatic cooking mode depends on the product form and size, as well as on the product position on the glass tray.

Grill mode

1. Press the “Grill/Combi” button once to select grill function, “G-1” will appear on the display.
2. Use digital buttons to input cooking time. Maximum cooking time is 99 minutes 99 seconds.
3. Press the “Start/+30 sec/Confirm” button to start automatic cooking, the remaining cooking time will be displayed.

Combination cooking mode

Combination cooking combines microwave and grill modes for achieving the best results.

“C-1” - 55% of time microwave cooking + 45% grill, cooking fish, potato.

“C-2” - 36% of time microwave cooking + 64% grill, cooking of omelets, baked potato, and poultry.

1. Press the “Grill/Combi” button twice or thrice – the selected combination mode symbols will appear on the display: “C-1” or “C-2”.
2. Use digital buttons to input cooking time. Maximum cooking time is 99 minutes 99 seconds.
3. Press the “Start/+30 sec/Confirm” button to start cooking, the remaining cooking time will be displayed.

Automatic heating mode

1. In the current time mode press the “Auto heating” button, “150” will appear on the display.
2. Pressing the “Auto heating” button you can select product weight: 150, 250, 350 or 400 g.
3. Press the “Start/+30 sec/Confirm” button to start cooking, the remaining cooking time will be displayed.

Cooking products in 2 steps

Example: to cook products for 10 min. at maximum output power and continue cooking for 15 min at 80% power level.

1. Press the “Microwave” button to select maximal power.
2. Press “10” to set cooking time 10 minutes.
3. Press the “Microwave” button twice to set power at 80%, “P80” will appear on the display.

ENGLISH

4. Press “10” once and “1” five times to set cooking time 15 minutes.
5. Press the “Start/+30 sec/Confirm” button to start cooking.

Note:

- *If the defrost function is included into the cooking program, it must be the first one.*
- *An automatic menu program cannot be included into the two steps cooking program.*

Child lock function

- In the current time mode press and hold the Cancel/Stop button for 3 seconds, a long sound signal will be heard and the symbol [] will appear on the display.
- To deactivate the Child Lock function, press and hold the Cancel/Stop button for 3 seconds, a long sound signal will be heard and the symbol [] will disappear.

Note:

- 1. In cooking mode, you can see the preset power, by pressing the “Microwave” button - the preset power will be displayed during 2-3 seconds.**
- 2. When cooking products press the “Clock/Preset” button to display the current time for 2-3 seconds.**
- 3. If during cooking you opened the door, then after you close it you should press the “Start/30 sec/Confirm” button to continue cooking.**
- 4. After cooking is finished, you will hear 5 sound signals.**

Clean and care

- Turn off the oven and disconnect from electrical power before cleaning.
- Do not allow moisture to contact the control panel. Clean it with a soft, lightly dampened paper towel.
- Keep the oven’s cooking chamber clean. If pieces of food or liquid sprays are left on the chamber walls, remove them with a damp paper towel.
- A mild cleanser may be used if the chamber becomes exceptionally dirty.
- Do not use abrasive cleaning instruments or wire brushes to clean the inside or outside of the oven. Make sure that no water or cleanser gets in any of the ventilation or steam release openings on the top of the microwave oven.
- Do not use ammonia based cleansers.
- The outer surfaces should be cleaned with a damp paper towel.
- The oven door should always be clean. Do not allow crumbs of food to buildup between the door and the front panel of the oven; this may prevent normal closure of the door.
- Clean the ventilation openings on top of the oven housing regularly _ keep them free of dust and dirt.
- Regularly remove and wash the glass tray and its base _ wipe the oven chamber floor clean
- Wash the glass tray and rotating drive mechanism in water with a neutral soap solution. These parts are dishwasher safe.
- Do not immerse the glass tray in cold water if it is still hot: the sudden drop in temperature can cause the glass tray to break.

Troubleshooting guide

Malfunction	Possible cause	Method of elimination
The oven will not turn on	The power plug is not firmly connected to the electrical outlet	Remove the power plug from the outlet. Wait 10 seconds and then replace
	Problem with power outlet	Try plugging another electrical device into the outlet to test it
The oven will not heat	The door is not closed firmly	Close the door firmly
When the oven is operating, the rotating glass tray makes strange noises	The roller ring or the cooking chamber floor is dirty	Remove the glass tray and roller ring. Wash the roller ring and the cooking chamber floor

Normal operation

The microwave oven creates static in television and radio signals.	Static in television and radio signals can occur while the oven is operating. Similar static is created by small electrical devices like mixers, vacuum cleaners and electrical fans. This is a normal occurrence.
The oven light is dim.	If the oven is set to a low power level, the light in the cooking chamber may also be low. This is a normal occurrence.
Steam collects on the door and hot air comes out of the ventilation openings.	During the cooking process, steam is released from the food. Most of the steam is released through the ventilation openings, but some can collect on the inside of the door. This is a normal occurrence.

Technical characteristics

Operation conditions:

Air temperature	+10°C - +35°C
Relative air humidity	35-80%
Atmosphere pressure	86-106 kPa (650 – 800 mm of mercury)

Main parameters

Power supply:	230 V ± 10% ~ 50 Hz
Nominal microwave power	800 W
Nominal power consumption in the microwave mode	1300 W
Nominal power consumption in the grill mode	1000 W
Operation frequency	2450 ± 49 MHz
Chamber capacity	23 l
Glass tray diameter	270 mm

ENGLISH

Dimensions, not more	450 x 410 x 295 mm
Net weight, not more	14,0 kg
Valuable material content:	
GOLD	0 g
SILVER	1,06794 g

The set includes

Oven	1 pc.
Glass tray	1 pc.
Roller ring	1 pc.
Grill rack	1 pc.
Instruction manual	1 pc.
Warranty card	1 pc.
Recipe book	1 pc.
Individual container	1 pc.

Specifications subject to change without prior notice.

Service life of appliance - 5 years

МИКРОВОЛНОВАЯ ПЕЧЬ

Перед использованием микроволновой печи внимательно ознакомьтесь с настоящим Руководством.

При условии чёткого следования всем указаниям Руководства, микроволновая печь безупречно прослужит Вам многие годы.

Храните данное руководство в легкодоступном месте.

ПРЕДОСТОРОЖНОСТИ, КОТОРЫЕ НЕОБХОДИМО СОБЛЮДАТЬ, ЧТОБЫ НЕ ПОДВЕРГАТЬСЯ РИСКУ ВОЗДЕЙСТВИЯ МИКРОВОЛНОВОЙ ЭНЕРГИИ

1. Не пытайтесь пользоваться микроволновой печью при открытой дверце, т.к. при этом возникает риск подвернуться вредному воздействию микроволновой энергии. Очень важно не повредить внутренние замки и механизм блокировки дверцы.
2. Не помещайте посторонние предметы между дверцей и лицевой частью микроволновой печи и не позволяйте остаткам пищи или чистящих средств скапливаться на экранирующей решетке или на внутренней стороне дверцы.
3. Не пользуйтесь микроволновой печью при ее повреждении или неисправности. Особенно важно, чтобы дверца всегда была плотно закрыта, и не были повреждены:
 - дверца (погнутая)
 - петли и защелки (сломанные или ослабленные)
 - экранирующая решетка с внутренней стороны дверцы
4. Не вносите изменения в электрические цепи защитных блокировок дверцы печи.
5. Регулировка или ремонт печи должны производиться только специалистами авторизованного сервисного центра.

ВАЖНЫЕ УКАЗАНИЯ ПО МЕРАМ БЕЗОПАСНОСТИ

ПРЕДУПРЕЖДЕНИЕ: Если на дверце повреждена экранирующая решетка, то эксплуатация микроволновой печи запрещается.

ПРЕДУПРЕЖДЕНИЕ: Ремонт микроволновой печи всегда представляет опасность для любого лица, осуществляющего ремонт, если при этом необходимо снимать металлический кожух, обеспечивающий защиту от микроволнового излучения. Не ремонтируйте печь самостоятельно.

ПРЕДУПРЕЖДЕНИЕ: Перед разогревом или приготовлением продуктов в герметичной или вакуумной упаковке, не забудьте вскрыть ее. В противном случае в упаковке создастся давление, которое может разорвать ее, несмотря даже на то, что продукт был ранее приготовлен.

- Используйте посуду, которая предназначена для микроволновых печей. Не ставьте в печь металлическую посуду, так как отраженные посудой СВЧ - волны могут вызвать искровые разряды и возгорание.
- Во избежание перегрева и возгорания продуктов, непрерывно следите за работой печи, если в нее помещены продукты в “разовых” пластиковых, бумажных и других подобных упаковках или если в печь загружено небольшое количество продуктов.
- Если Вы разогреваете какую-либо жидкость (воду, кофе, молоко и пр.), то имейте в виду, что она может внезапно вскипеть и выплеснуться вам на руки в тот момент, когда вы достаете емкость из печи. Чтобы этого не произошло, поместите в

РУССКИЙ

емкость термостойкую пластиковую ложку или стеклянную мешалку, и, перед тем как достать емкость, перемешайте в ней жидкость.

- Бутылочки для кормления и банки с детским питанием следует помещать в печь без крышек и сосок. Содержимое нужно перемешивать или периодически встряхивать. Перед кормлением необходимо проверить температуру содержимого, чтобы не допустить ожогов.

Важная информация

- **ОБЯЗАТЕЛЬНО** проверьте, не горячая ли пища, прежде чем давать ее ребенку. Рекомендуем взболтать содержимое банки или бутылки, чтобы равномерно распределить тепло по всему объему.
- Не допускается варить яйца в скорлупе или подогревать сваренные вкрутую яйца в МИКРОВОЛНОВОМ режиме, так как они лопнут из-за повышения внутреннего давления.

МЕРЫ БЕЗОПАСНОСТИ

1. Установите печь на ровную, устойчивую поверхность. Выберите такое место, которое было бы недоступно для маленьких детей.
2. Установите печь так, чтобы от стены до задней и боковых стенок печи оставалось расстояние не менее 7-8 см, а свободное пространство над печью составляло не менее 30 см.
3. Дверца микроволновой печи снабжена системой блокировки, служащей для отключения питания при ее открытии. Не вносите изменений в работу схемы блокировки дверцы.
4. Не включайте микроволновую печь без продуктов, работа печи без продуктов может привести к выходу ее из строя.
5. Приготовление продуктов с крайне низким содержанием влаги может привести к их подгоранию или возгоранию.

Если возгорание произошло:

- Не открывайте дверцу.
 - Выключите микроволновую печь и выньте сетевую вилку из розетки.
6. При приготовлении бекона не кладите его непосредственно на стеклянный поддон, местный перегрев стеклянного поддона может привести к появлению в нем трещин.
 7. Не пытайтесь приготовить продукты в микроволновой печи до состояния полной прожарки.
 8. Не разрешается подогревать жидкость в сосудах с узкими горлышками.
 9. Не используйте микроволновую печь для домашнего консервирования, поскольку нет уверенности в том, что содержимое банок достигло температуры кипения.
 10. Во избежание продолжительного бурного кипения жидких продуктов и напитков, а также во избежание получения ожогов рекомендуется перемешивание продуктов в начале и в середине процедуры приготовления. Для этого выключите нагрев, подождите некоторое время, извлеките посуду с продуктами, перемешайте и поставьте обратно в микроволновую печь для продолжения процесса приготовления.

11. Регулярно чистите микроволновую печь. Нерегулярный уход за печью может привести к ухудшению её внешнего вида, отрицательно сказаться на её работоспособности, а также привести к опасности в дальнейшей эксплуатации.

Правила, о которых всегда следует помнить

1. Не превышайте время приготовления продуктов в микроволновой печи. Всегда следите за процессом приготовления при использовании посуды из бумаги, пластика и прочих горючих материалов.
2. Никогда не используйте микроволновую печь в целях хранения в ней различных предметов. Никогда не храните в микроволновой печи продукты, такие как хлеб, печенье, а также бумажные упаковки, горючие материалы и т.п., поскольку во время грозы микроволновая печь может включиться самопроизвольно.
3. Металлические закрутки, зажимы, проволочные ручки с бумажных или пластиковых пакетов необходимо удалить перед помещением их в микроволновую печь.
4. Микроволновая печь должна иметь надежное заземление. Подсоединяйте микроволновую печь только к розетке, имеющей надежное заземление.
5. Некоторые из продуктов (яйца в скорлупе, жидкие или твердые жиры), а также герметично закрытые банки, закрытые стеклянные ёмкости взрывоопасны, поэтому помещать их в микроволновую печь запрещается.
6. Используйте данную микроволновую печь исключительно в целях, для которых она предназначена и в строгом соответствии с изложенными здесь указаниями.
7. Микроволновая печь предназначена исключительно для подогрева и приготовления пищи и не предназначена для лабораторного или промышленного использования.
8. Будьте предельно внимательными, если микроволновая печь используется детьми.
9. Не пользуйтесь микроволновой печью при повреждении сетевого кабеля или вилки, если микроволновая печь работает не надлежащим образом вследствие повреждения или падения.
10. Ремонт микроволновой печи должен осуществляться квалифицированными специалистами авторизованного сервисного центра.
11. Не закрывайте вентиляционные отверстия на корпусе микроволновой печи.
12. Не храните и не используйте микроволновую печь вне помещений.
13. Не используйте микроволновую печь вблизи воды, в непосредственной близости от кухонной раковины, в сырых подвальных помещениях или рядом с бассейном.
14. Не погружайте сетевой кабель и сетевую вилку в воду.
15. Избегайте контакта сетевого кабеля и сетевой вилки с горячими поверхностями.
16. Не допускайте свисания сетевого кабеля с края стола.
17. При чистке дверцы и внутренних поверхностей микроволновой печи используйте мягкие неабразивные моющие средства, нанесённые на губку или на мягкую ткань.
18. Не разрешайте детям использовать прибор в качестве игрушки.
19. Будьте особенно внимательными, если прибор используется детьми или людьми с ограниченными возможностями.

20. Данное устройство не предназначено для использования детьми и людьми с ограниченными возможностями, если только лицом, отвечающим за их безопасность, им не даны соответствующие и понятные им инструкции о безопасном пользовании устройством и тех опасностях, которые могут возникать при его неправильном пользовании.
21. Будьте осторожными! Внешние поверхности печи, включая дверцу, нагреваются во время эксплуатации.
22. Размещайте печь задней стенкой к стене.

ПРЕДОСТЕРЕЖЕНИЕ

Поражение электрическим током

Прикосновение к элементам электрической схемы микроволновой печи может привести к серьёзным травмам и поражению электрическим током. Не разбирайте самостоятельно микроволновую печь.

Заземление микроволновой печи

Микроволновая печь должна быть надёжно заземлена. В случае какого-либо замыкания, заземление снижает риск удара электротоком, так как произойдет отток тока по заземляющему проводу.

В приборе используется сетевой кабель с заземляющим проводом и сетевая вилка с контактом заземления. Вилка должна подключаться к розетке, имеющей контакт заземления.

ПРЕДУПРЕЖДЕНИЕ: использование вилки с контактом заземления, включенной в розетку без заземления, может привести к риску удара электротоком.

Проконсультируйтесь с квалифицированным электриком, если вам не ясны инструкции по заземлению или существуют сомнения в надёжном заземлении микроволновой печи.

- В целях предотвращения запутывания сетевого кабеля микроволновая печь снабжена коротким сетевым кабелем.
- При необходимости использования удлинителя используйте только 3-проводной удлинитель с контактом заземления на сетевой вилке и розетке.
- Маркировка сечения проводов сетевого кабеля микроволновой печи и маркировка на кабеле удлинителя должны совпадать.
- Сетевой кабель удлинителя должен быть проложен так, чтобы он не свисал с краёв стола, где за него могут потянуть дети, также необходимо исключить возможность хождения по кабелю.

Посуда для микроволновой печи

ОСТОРОЖНО!

- Плотно закрытые ёмкости, помещенные в микроволновую печь, могут быть взрывоопасными.
- Закрытые ёмкости должны быть открыты, а в пластиковых пакетах необходимо сделать несколько отверстий для выхода пара перед помещением их в микроволновую печь.
- Если у вас возникают сомнения по использованию посуды в микроволновой печи, то проведите проверку.

Проверка посуды перед использованием в микроволновой печи:

- Установите испытуемую посуду (например, тарелку) в рабочую камеру печи, поставьте на нее стеклянный стакан с холодной водой.
- Включите микроволновую печь на максимальную мощность и установите время работы не более одной минуты.
- Аккуратно дотроньтесь до испытуемой посуды: если она нагрелась, а вода в стакане холодная, то использовать такую посуду для приготовления продуктов в микроволновой печи нельзя.
- Избегайте превышения времени испытания более одной минуты.

Материалы, и посуда пригодные для использования в микроволновой печи

<p>Алюминиевая фольга</p>	<p>Фольгу можно использовать только в режиме работы гриля. Расстояние между фольгой и стенками микроволновой печи должно составлять не менее 2,5 см. Маленькие кусочки фольги можно использовать для прикрытия тонких кусочков мяса или птицы, чтобы избежать их пережаривания.</p> <p>В микроволновом режиме, если фольга расположена слишком близко к стенкам печи, может произойти искрение, прогорание экранирующей решетки на дверце и выход печи из строя. В этом случае Вы лишаетесь права проведения бесплатного гарантийного обслуживания и ремонта.</p>
<p>Посуда для жарки</p>	<p>Следуйте указаниям производителя.</p> <p>Дно посуды для жарки должно быть на 5 мм толще, чем у стеклянного вращающегося поддона. Неправильное использование посуды для жарки может привести к появлению трещин в самой посуде и в стеклянном поддоне.</p>
<p>Обеденная посуда</p>	<p>Только та, которая предназначена для использования в микроволновой печи.</p> <p>Следуйте указаниям производителя посуды. Не используйте посуду с трещинами или сколами.</p>
<p>Стеклянные ёмкости</p>	<p>Только ёмкости, изготовленные из жаропрочного стекла и предназначенные для использования в микроволновой печи. Убедитесь в отсутствии металлических ободков. Не используйте ёмкости с трещинами или сколами.</p>
<p>Стеклопосуда</p>	<p>Только посуда, изготовленная из жаропрочного стекла и предназначенная для использования в микроволновой печи. Убедитесь в отсутствии металлических ободков. Не используйте посуду с трещинами или сколами.</p>
<p>Процесс приготовления в микроволновой печи с использованием специальных мешков</p>	<p>Следуйте указаниям производителя. Не закрывайте мешки, используя металлические закрутки или перетяжки. В мешках необходимо сделать одно или несколько отверстий для выхода пара.</p>
<p>Бумажные тарелки и чашки</p>	<p>Используйте только для кратковременного приготовления/разогревания. Не оставляйте микроволновую печь без присмотра во время приготовления/разогревания продуктов в такой посуде.</p>
<p>Бумажные полотенца</p>	<p>Можно накрыть приготовляемые продукты для удержания тепла в них и для предотвращения разбрызгивания жира. Используйте только при постоянном контроле и только для кратковременного приготовления/подогрева.</p>

РУССКИЙ

Пергаментная бумага	Используйте в целях предотвращения разбрызгивания жира или в качестве обёртки. Используйте только при постоянном контроле и только для кратковременного приготовления/подогрева.
Пластик	Только те изделия из пластика, которые имеют соответствующую маркировку «Пригодно для микроволновой печи». Следуйте указаниям производителя. Некоторые пластиковые ёмкости могут размякаться в результате нагрева содержащихся в них продуктов. Герметично закрытые пластиковые пакеты необходимо проколоть или прорезать, как указано на самих упаковках.
Пластиковая обёртка	Только те изделия из пластика, которые имеют соответствующую маркировку. Можно накрывать приготавливаемые продукты в целях сохранения в них влаги.
Восковая бумага	Используйте для предотвращения разбрызгивания жира, а также для сохранения влаги.

Материалы и посуда, не пригодные к использованию в микроволновой печи

Алюминиевые подносы	Могут вызвать искрение. Пользуйтесь посудой, специально предназначенной для использования в микроволновой печи.
Картонная чашка с металлической ручкой	Может вызвать искрение. Пользуйтесь посудой, специально предназначенной для использования с микроволновой печью.
Посуда металлическая или посуда с металлическим ободом	Металл экранирует энергию микроволн. Металлический обод может вызвать искрение.
Металлические закрутки	Могут вызвать искрение, а также возгорание упаковки во время приготовления/разогрева продуктов.
Бумажные пакеты	Могут вызвать возгорание в микроволновой печи.
Мыло	Мыло может расплавиться и вызвать загрязнение рабочей камеры микроволновой печи.
Дерево	Деревянная посуда может высохнуть, растрескаться и воспламениться.

Описание

1. Замки с системой блокировки
2. Смотровое окно
3. Выход СВЧ-волн
4. Опора стеклянного поддона
5. Роликовое кольцо
6. Стеклянный поддон
7. Панель управления
8. Решетка для гриля. Используется только в режиме «Гриль»

Панель управления

- 1 – дисплей
- 2 – кнопка «Гриль/Комби»
- 3 – «Разморозка по весу/времени»
- 4 – кнопка «Стоп/Отмена»
- 5 – кнопка «Старт/+30 сек/Подтвердить»
- 6 – цифровые кнопки

- 7 – кнопка «Меню»
- 8 – кнопка «Часы/Установка»
- 9 – кнопка «Автоподогрев»
- 10 – кнопка «Микроволны»

Сборка микроволновой печи

Удалите упаковочный материал и аксессуары из рабочей камеры печи. Осмотрите микроволновую печь на предмет наличия деформаций. Особое внимание уделите исправности дверцы печи. При обнаружении неисправностей, не устанавливайте и не включайте микроволновую печь.

Защитное покрытие

Корпус: если имеется защитная плёнка, то удалите ее с поверхности корпуса. Не удаляйте светло-серую слюдяную пластину внутри рабочей камеры, так как она служит для защиты магнетрона.

Установка стеклянного поддона

1. Установите опору стеклянного поддона (4) в отверстие, расположенное в днище рабочей камеры.
2. Установите роликовое кольцо (5) на днище рабочей камеры.
3. Аккуратно установите стеклянный поддон (6), совместив выступы на нем с пазами опоры. Никогда не устанавливайте стеклянный поддон нижней частью вверх.
 - Не препятствуйте вращению стеклянного поддона во время работы печи.
 - Во время приготовления продуктов всегда используйте стеклянный поддон, роликовое кольцо и опору поддона.
 - Продукты и посуду для приготовления продуктов необходимо устанавливать только на стеклянный поддон.
 - Стеклянный поддон может вращаться по/против часовой стрелки - так и должно быть.
 - При возникновении трещин или сколов на стеклянном поддоне немедленно замените его.

Установка

- Перед подключением микроволновой печи убедитесь, что рабочее напряжение и потребляемая мощность соответствуют параметрам электрической сети. Подключайте микроволновую печь к сетевой розетке, которая имеет надежное заземление.
- Установите печь на ровную, устойчивую поверхность. Выберите такое место, которое было бы недоступно для маленьких детей.
- Установите печь так, чтобы от стены до задней и боковых стенок печи оставалось расстояние не менее 7-8 см, а свободное пространство над печью составляло не менее 30 см.
- Не снимайте опорные ножки с днища микроволновой печи.
- Не закрывайте вентиляционные отверстия на корпусе микроволновой печи.
- Необходимо размещать микроволновую печь вдали от телевизионных и радиоприёмников во избежание появления помех при приёме теле- и радиосигналов.

РУССКИЙ

ПРЕДУПРЕЖДЕНИЕ: Запрещается устанавливать микроволновую печь на поверхность с подогревом (кухонную плиту) и прочие источники теплового излучения. В случае выхода из строя микроволновой печи по вине владельца, он лишается права на бесплатное гарантийное обслуживание и ремонт.

ЭКСПЛУАТАЦИЯ ПЕЧИ

Звуковой сигнал

Каждое нажатие на кнопки панели управления подтверждается звуковым сигналом.

Установка текущего времени

1. Нажмите кнопку «Часы/Установка», на дисплее отобразятся символы «0:00», а цифры часа будут мигать.
2. При помощи кнопок «+» или «-» установите часы в интервале от 0 до 23.
3. Нажмите кнопку «Часы/Установка» для подтверждения, цифры минут будут мигать.
4. При помощи кнопок «+» или «-» установите минуты в интервале от 0 до 59.
5. Нажмите кнопку «Часы/Установка» для подтверждения, символы «:» будут мигать.

Примечания:

1. Если часы не установлены, текущее время отображаться не будет.
2. Если при установке текущего времени Вы нажмете кнопку «Стоп/Отмена» произойдет возврат к предыдущему режиму.

Установка времени начала приготовления

Пример: установить время начала приготовления в 12:12.

1. Проверьте правильность установки текущего времени.
 2. Установите желаемую программу приготовления продуктов, за исключением программы разморозки, например, приготовить продукты в течение 10 минут при максимальной мощности.
 3. Нажмите один раз кнопку «Микроволны», чтобы установить максимальную мощность.
 4. Нажмите кнопку «10'», чтобы установить время приготовления.
- Внимание!** Не нажимайте кнопку «Старт/+30 сек/Подтвердить»
5. Нажмите кнопку «Часы/Установка», на дисплее отобразится текущее время, а цифры часа будут мигать.
 6. При помощи кнопок «+» или «-» установите часы в интервале от 0 до 23.
 7. Нажмите кнопку «Часы/Установка» для подтверждения, цифры минут будут мигать.
 8. При помощи кнопок «+» или «-» установите минуты в интервале от 0 до 59.
 9. Нажмите кнопку «Старт» для подтверждения, символы «:» будут мигать.
 10. Приготовление продуктов начнется в установленное время.

Примечание:

- Установленное Вами время должно находиться в диапазоне 0:00 – 23:59.
- Если при установке Вы нажмете кнопку «Стоп/Отмена», или в течение 1 минуты не будет произведено никаких действий, произойдет автоматический возврат к предыдущему режиму.
- Текущее время должно устанавливаться перед установкой программы начала приготовления продуктов. Если программа приготовления продуктов не была выбрана, а было установлено только время начала приготовления, то по достижении этого времени прозвучат пять звуковых сигналов.
- Чтобы узнать установленное время начала приготовления продуктов нажмите кнопку «Часы/Установка», время начала приготовления будет показано на дисплее в течение четырех секунд.

Быстрое приготовление

1. В режиме текущего времени нажмите кнопку «Старт/+30 сек/Подтвердить», начнется процесс приготовления продуктов на максимальной мощности (100%) в течение 30 секунд. Каждое последующее нажатие этой кнопки увеличивает время приготовления на 30 секунд. Максимально возможное время приготовления – 99 минут 99 секунд.

Приготовление продуктов в микроволновой печи

Перед началом приготовления продуктов необходимо установить необходимый уровень мощности, время приготовления. Максимально возможное время приготовления – 99 минут 99 секунд.

Количество нажатий кнопки «Микроволны»	Изображение на дисплее	Мощность печи
1	P100	100%
2	P80	80%
3	P50	50%
4	P30	30%
5	P10	10%

1. Нажатием кнопки «Микроволны» выберите уровень мощности, на дисплее отобразятся соответствующие символы.
2. При помощи цифровых кнопок введите время приготовления.
3. Нажмите кнопку ««Старт/+30 сек/Подтвердить»», начнется процесс приготовления продуктов.

Размораживание продуктов по весу

1. Нажмите кнопку «Разморозка по весу/времени», на дисплее высветится «dEF1».
2. При помощи кнопок «+» или «-» установите вес продукта в диапазоне от 100 до 2000 гр.
3. Нажмите кнопку «Старт/+30 сек/Подтвердить», начнется процесс размораживания продуктов по установленному весу.

РУССКИЙ

Размораживание продуктов по времени

1. Нажмите кнопку «Разморозка по весу/времени», при этом на дисплее высветится «dEF2».
2. При помощи цифровых кнопок введите время приготовления. Максимально возможное время приготовления – 99 минут 99 секунд.
3. Нажмите кнопку «Старт/+30 сек/Подтвердить», начнется процесс размораживания продуктов по установленному времени.

Меню автоматического приготовления продуктов

- **A-1** - «овощи (vegetable)»
- **A-2** - «рыба (fish)»
- **A-3** - «мясо (meat)»
- **A-4** - «макароны (pasta)»
- **A-5** - «картофель (potato)»
- **A-6** - «пицца (pizza)»
- **A-7** - «суп (soup)»
- **A-8** - «каша (porridge)»

Таблица автоматического приготовления продуктов

Автоматический режим	Вес (г)	Количество нажатий	Изображение на дисплее
овощи (vegetable) / A-1	150	Один раз	150
	350	Дважды	350
	500	Трижды	500
рыба (fish) /A-2	150	Один раз	150
	250	Дважды	250
	350	Трижды	350
	400	Четыре раз	400
	450	Пять раз	450
мясо (meat) / A-3	150	Один раз	150
	300	Дважды	300
	450	Трижды	450
	600	Четыре раз	600
макароны (pasta) / A-4	50 (450 г воды)	Один раз	50
	100 (800 г воды)	Дважды	100
	150 (1200 г воды)	Трижды	150
картофель (potato) / A-5	1 (около 230 г)	Один раз	1
	2 (около 460 г)	Дважды	2
	3 (около 690 г)	Трижды	3
пицца (pizza) / A-6	1 (около 80 г)	Один раз	1
	2 (около 160 г)	Дважды	2
	3 (около 250 г)	Трижды	3

суп (soup) / A-7	500	Один раз	500
	750	Дважды	750
	1000	Трижды	1000
каша (porridge) / A-8	550	Один раз	550
	1100	Дважды	1100

Пример: Приготовить рыбу весом 350 г:

1. Нажмите два раза кнопку «Меню», на дисплее отобразятся символы «А-2».
2. При помощи кнопок «+» или «-» установите вес продукта, на дисплее отобразятся символы «350».
3. Нажмите кнопку «Старт/+30 сек/Подтвердить» для начала автоматического приготовления продуктов, на дисплее будет отображаться оставшееся время приготовления.

Примечание:

Результат приготовления в режиме автоматического приготовления зависит от размера и формы продукта, а также от места расположения на стеклянном поддоне.

Режим работы гриль

1. Нажмите кнопку «Гриль/Комби» один раз для выбора функции гриль, на дисплее отобразится «G-1».
2. При помощи цифровых кнопок введите время приготовления. Максимально возможное время приготовления – 99 минут 99 секунд.
3. Нажмите кнопку «Старт/+30 сек/Подтвердить», начнется процесс приготовления продуктов, на дисплее будет отображаться оставшееся время приготовления.

Комбинированный режим приготовления продуктов

Комбинированное приготовление сочетает режим микроволнового приготовления и режим работы гриля для достижения наилучшего результата.

«С-1» - 55% времени микроволновое приготовление + 45% гриль, приготовление рыбы, картофеля.

«С-2» - 36% времени микроволновое приготовление + 64% гриль, приготовление омлета, печеного картофеля, птицы.

1. Нажмите кнопку «Гриль/Комби» два или три раза - на дисплее отобразятся символы выбранного комбинированного режима: «С-1» или «С-2».
2. При помощи цифровых кнопок введите время приготовления. Максимально возможное время приготовления – 99 минут 99 секунд.
3. Нажмите кнопку «Старт/+30 сек/Подтвердить», начнется процесс приготовления продуктов, на дисплее будет отображаться оставшееся время приготовления.

Режим автоподогрева

1. В режиме текущего времени нажмите кнопку «Автоподогрев», на дисплее отобразятся символы «150».
2. Нажимая кнопку «Автоподогрев», вы можете выбрать вес продукта: 150, 250, 350 или 400 грамм.

3. Нажмите кнопку «Старт/+30 сек/Подтвердить», начнется процесс приготовления продуктов, на дисплее будет отображаться оставшееся время приготовления.

Приготовление продуктов в два этапа

Пример: приготовить продукты в течение 10 минут при максимальной мощности и продолжить приготовление в течение 15 минут при 80%-ной мощности.

1. Нажмите один раз кнопку «Микроволны» для выбора максимальной мощности.
2. Нажатием кнопки «10'» установите время приготовления 10 минут.
3. Нажмите два раза кнопку «Микроволны», чтобы установить значение мощности 80%, на дисплее отобразятся символы «P80».
4. Нажмите один раз кнопку «10'» и пять раз кнопку «1'», чтобы установить время приготовления 15 минут.
5. Нажмите кнопку «Старт/+30 сек/Подтвердить», начнется процесс приготовления продуктов.

Примечание:

- Если в процесс приготовления продуктов включена функция размораживания продуктов, то она должна быть первой.
- Программа меню автоматического приготовления продуктов не может быть включена в программу двухэтапного приготовления продуктов.

Функция блокировки печи от включения детьми

- В режиме текущего времени нажмите и удерживайте кнопку «Стоп/Отмена» в течение 3 секунд, прозвучит длительный звуковой сигнал и на дисплее загорится пиктограмма [] [] [].
- Для отключения функции блокировки нажмите и удерживайте кнопку «Стоп/Отмена» в течение трех секунд, прозвучит длительный звуковой сигнал и пиктограмма [] [] [] погаснет.

Примечания:

1. В ходе приготовления продуктов вы можете посмотреть установленную мощность, нажав кнопку «Микроволны» - установленная мощность будет отображаться на дисплее в течение 2-3 секунд.
2. В ходе приготовления продуктов нажмите кнопку «Часы/Установка» для отображения на дисплее текущего времени в течение 2-3 секунд.
3. Если в процессе приготовления Вы открывали дверцу печи, то после ее закрытия необходимо нажать кнопку «Старт/+30 сек/Подтвердить» для продолжения приготовления.
4. По окончании процесса приготовления Вы услышите 5 звуковых сигналов.

Чистка и уход

- Перед чисткой выключите печь и отсоедините сетевой кабель от розетки.
- Не допускайте попадания влаги на панель управления. Очищайте ее мягкой, слегка влажной салфеткой.
- Содержите рабочую камеру печи в чистоте. Если на стенках печи остались кусочки продуктов или подтеки жидкости, удалите их влажной салфеткой.

- При сильно загрязненной рабочей камере можно использовать мягкое моющее средство.
- Не пользуйтесь абразивными моющими средствами, проволочными щетками для чистки печи снаружи и внутри. Следите за тем, чтобы вода или моющее средство не попали в отверстия, предназначенные для отвода воздуха и пара, которые находятся на крышке печи.
- Запрещается использовать моющие средства на основе аммиака.
- Внешние поверхности нужно чистить влажной салфеткой.
- Дверца печи всегда должна быть чистой. Не допускайте скапливания крошек пищи между дверцей и лицевой панелью печи, это препятствует нормальному закрытию дверцы.
- Регулярно очищайте от пыли и грязи вентиляционные отверстия на корпусе печи, через которые поступает воздух для охлаждения печи.
- Регулярно снимайте и чистите стеклянный поддон и его опору; протирайте дно рабочей камеры печи.
- Стеклянный поддон и привод его вращения мойте в воде с нейтральным мыльным раствором. Для мытья этих деталей можно воспользоваться посудомоечной машиной.
- Не опускайте нагретый стеклянный поддон в холодную воду: из-за резкого перепада температур стеклянный поддон может лопнуть.

Устранение неисправностей

Неисправность	Возможная причина	Способ устранения
Печь не включается	Вилка сетевого кабеля не достаточно плотно вставлена в розетку	Выньте вилку из розетки. По прошествии 10 секунд вставьте вилку обратно в розетку
	Проблема с сетевой розеткой	Для проверки попробуйте включить в ту же розетку другой электроприбор
Отсутствует нагрев	Неплотно закрыта дверца	Плотно закройте дверцу
Во время работы печи, вращающийся стеклянный поднос издаёт посторонние шумы	Загрязнено роликотвое кольцо или нижняя часть рабочей камеры	Снимите стеклянный поднос и роликотвое кольцо. Промойте роликотвое кольцо о днище рабочей камеры.

Нормальная работа

Микроволновая печь создаёт помехи приёму теле- и радиосигналов.	Во время работы микроволновой печи могут возникать помехи при приёме теле- и радиосигналов. Аналогичные помехи создаются при работе небольших электроприборов, таких как миксер, пылесос и электрический фен. Это нормальное явление.
Низкая яркость подсветки.	Если установлен низкий уровень мощности микроволнового излучения, то уровень яркости подсветки рабочей камеры может быть низким. Это нормальное явление.
Скопление пара на дверце, выход горячего воздуха из вентиляционных отверстий.	В процессе приготовления, пар может выходить из приготавливаемых продуктов. Большое количество пара выходит через вентиляционные отверстия, но некоторая часть его может оседать на внутренней стороне дверцы. Это нормальное явление.

РУССКИЙ

Технические параметры и характеристики

Условия эксплуатации:

Температура воздуха	+10°C - +35°C
Относительная влажность воздуха	35-80%
Атмосферное давление	86- 106 кПа (650 – 800 мм.рт.ст)

Основные параметры

Напряжение питания:	230 В ± 10% ~ 50 Гц
Номинальная микроволновая мощность	800 Вт
Номинальная потребляемая мощность в режиме микроволн	1300 Вт
Номинальная потребляемая мощность в режиме гриля	1000 Вт
Рабочая частота	2450 ± 49 МГц
Объём камеры	23 л
Диаметр стеклянного поддона	270 мм
Габаритные размеры, не более	450 x 410 x 295 мм
Масса нетто, не более	14,0 кг
Содержание драгоценных материалов:	
Золото	0 г
Серебро	1,06794 г

Комплектность

Печь	1 шт.
Стеклянный поддон	1 шт.
Роликовое кольцо	1 шт.
Решетка для гриля	1 шт.
Инструкция по эксплуатации	1 шт.
Гарантийный талон	1 шт.
Книга рецептов для микроволновой печи	1 шт.
Индивидуальная тара	1 шт.

Производитель сохраняет за собой право изменять дизайн и технические характеристики прибора без предварительного уведомления.

Срок службы прибора - 5 лет

ҚЫСҚАТОЛҚЫНДЫ ПЕШ

Пешті қолданар алдында осы нұсқаулықты мұқият оқып шығыңыз.

Нұсқаулықтың барлық шарттарын толық орындаған жағдайда бұл қысқатолқынды пеш сізге көптеген жылдар бойы мүлтіксіз қызмет етеді.

Бұл нұсқаулықты қол жететіндей жақын жерде сақтаңыз.

ҚЫСҚАТОЛҚЫНДЫ ЭНЕРГИЯНЫҢ ӘСЕР ЕТУ ҚАУПІНЕН САҚтану үшін Қажетті Сақтық Шаралары

1. Бұл пешті оның есігі ашық кезде қолданбауға тырысыңыз, өйткені бұл жағдайда қысқатолқынды энергияның зиянды әсеріне қалу қаупі болады. Есіктің ішкі құлыптары мен есіктің жабылып қалу механизмін бүлдірмеудің маңызы өте зор.
2. Пештің есігі мен алдыңғы бөлігінің арасына ешқандай зат қоймау керек және де өнім немесе тазалағыш заттар қалдықтарының экрандық торда не есіктің ішкі жағында жиналып қалуына жол бермеңіз.
3. Пеш бұзылған не ақаулығы болған жағдайда оны қолданбаңыз. Оның есігінің үнемі тығыз жабылып, төмендегідей ақаулықтар болмауының маңызы аса зор:
 - есіктің (майысқан)
 - күршектер мен жапқыштар (сынған не босаған)
 - есіктің ішкі жағындағы экрандық тор
4. Пештің есігінің қорғаныстық жабылып қалу тізбегіне өзгеріс енгізбеңіз.
5. Пешті ретке келтіру немесе жөндеуді тек арнайы жөндеу орталықтарының мамандары ғана жүргізуі керек.

ҚАУІПСІЗДІК ШАРАЛАРЫ үшін АСА МАҢЫЗДЫ НҰСҚАУЛАР

ЕСКЕРТУ: Егер есіктің экрандық торы зақымданған болса, онда бұл пешті қолдануға мүлдем болмайды.

ЕСКЕРТУ: Пешті қысқатолқынды сәулелерден қорғап тұратын сыртқы металдан жасалған тысын шешіп жөндеу керек болса, бұл оны жөндейтін адамдардың барлығы үшін де қауіпті. Пешті өзіңіз жөндеуге тырыспаңыз.

ЕСКЕРТУ: Вакуумде не герметикалық орамдардағы тағамдарды дайындар не жылытар алдында оларды ашуды ұмытпаңыз. Әйтпесе орамда тығыздық пайда болады да, ол тағамның бұрын дайындалғанына қарамастан оны жырттып жіберуі мүмкін.

- Осы пештерге арналған арнайы ыдыстарды пайдаланыңыз. Пешке металдан жасалған ыдысты қоймаңыз, өйткені ыдыстан шағылысқан толқындардан ұшқындар пайда болып әрі жануы мүмкін.
- Тағамдардың күйіп не жанып кетуін болдырмау үшін оған бір жолғы не пластикалық немесе қағаздағы на басқа да орамдағы тағамдар немесе аз мөлшердегі тағам салынған жағдайда үнемі пештің жұмысын қадағалап отырыңыз.
- Егер сіз бір сұйық затты жылытып жатсаңыз (су, кофе, сүт т.б.), онда есіңізде болсын, ол кенеттен қайнап сіз ыдысты пештен алып жатқан кезде қолыңызға төгіліп кетуі мүмкін. Мұндай жағдайды болдырмау үшін ыдыстың ішіне ыстыққа шыдамды пластикалық қасық немесе шыны араластырғышты салып қойыңыз да ыдысты алардан бұрын ондағы сұйық затты араластырып алыңыз.
- Балаларды тамақтандыруға арналған шисалар мен балалар тағамы бар ыдыстарды пешке қақпақсыз және еміздіксіз қою керек. Ішіндегі тамақты оқтын-

оқтың араластырып немесе шайқау керек. Тағамды берер алдында күйіп қалмау үшін оның жылылығын тексеру керек.

Аса маңызды ақпарат

- **МІНДЕТТІ ТҮРДЕ** балаға берердің алдында тамағы ыстық емес пе соны тексеріңіз. Шиша немесе басқа ыдыстағы затты шайқағаныңыз жөн, сонда жылылығы бүкіл ыдыстың бойында бірдей таралады.
- **ҚЫСҚАТОЛҚЫНДЫ** режимде жұмыртқаны қабығымен дайындауға немесе пісірілген жұмыртқаны жылытуға болмайды, өйткені олар ішкі тығыздықтың жоғарылауынан жарылып кетеді.

ҚАУІПСІЗДІК ШАРАЛАРЫ

1. Пешті біркелкі әрі берік тегістікке қойыңыз. Кішкентай балалардың қолы жетпейтіндей орынды сайлап алыңыз.
2. Пешті артқы және екі жағынан қабырғаға дейін 7-8 см, ал пештің үстіңгі жағындағы бос кеңістік 30 см кем болмайтын аралық болатындай етіп қойыңыз.
3. Пештің есігінде тоқтату жүйесі орнатылған, ол есікті ашқан кезде қорек көзі тоқтатылатындай етіп жабдықталған. Есіктің жабылу схемасына өзгертулер енгізбеңіз.
4. Пешті ішіне тағамдар қоймай іске қосуға болмайды, өйткені бос түрде іске қосқаннан ол істен шығып қалуы мүмкін.
5. Өте аз мөлшерде сұйықтығы бар тағамдарды дайындау олардың күйіп кетуіне не жанып кетуіне жол беруі мүмкін.

Егер жанып кетуге жол берілген жағдайда:

- Есігін ашпаңыз.
 - Пешті өшіріп, розеткадан жүйелік желісін ажыратыңыз.
6. Беконды дайындаған кезде оны тікелей шынысының үстіне қоймаңыз, шынының іштен қызып кетуі оның шытынап кетуіне әкелуі мүмкін.
 7. Пештің ішінде тағамды күйгенше қойып қоюға тырыспаңыз.
 8. Мойыны жіңішке ыдыстарда сұйық заттарды жылытуға болмайды.
 9. Пешті үйде сүрлеу ісіне пайдалануға болмайды, өйткені сізде ол ыдыстардың ішіндегі заттардың қайнау температурасына жеткендігі жайлы толық сенім жоқ.
 10. Сұйық заттар мен сусындардың ұзақ та қатты қайнап кетпеуі үшін және де күйіп қалмау үшін бұл тағамдар мен сусындарды дайындаудың алдында және ортасында араластырып алу керек. Ол үшін жылытуды өшіріп біраз уақыт күте тұру керек, тағамы бар ыдысты шығарып, араластырып, содан кейін пештің ішіне дайындауды әрі қарай жалғастыру үшін қайта қою керек.
 11. Пешті үнемі тазалап отыру керек. Үнемі тазаламаған жағдайда оның сыртқы түрі өңсізденеді, оның жұмыс қуаттылығы нашарлауы мүмкін және де ары қарай қолданудың қауіпті болуы да мүмкін.

Үнемі есте сақтайтын қағидалар

1. Пеште тағамды дайындау уақытынан асып кетпеңіз. Әр кезде қағаздан, пластиктен т.б жанатын материалдардан жасалған ыдыстарды қолданғанда дайындау кезеңін үнемі бақылап отырыңыз.
2. Пешті ешуақытта онда әртүрлі заттарды сақтау үшін пайдаланбаңыз. Ешуақытта

пештің ішінде нан, печенье немесе қағаздан орамдар немесе жанатын материалдарды сақтамаңыз, өйткені найзағай кезінде пеш өзінен -өзі іске қосылып кетуі мүмкін.

3. Металдан жасалған әртүрлі бекіткіштерді, қағаз немесе пластиктен жасалған дорбалардағы сым тұтқаларын пешке салар алдында алып тастау керек.
4. Қысқа толқынды пеш жерге сенімді қосылған болуы керек. Қысқа толқынды пешті жерге сенімді қосылған розеткаға ғана қосыңыз.
5. Өнімдердің кейбіреулерінің (жұмыртқа, сұйық немесе қатты майлар), сондай-ақ қымталанып жабылған банкалардың, жабық шыны ыдыстардың – жарылу қаупі бар, сондықтан оларды қысқатолқынды пештің ішіне салуға тыйым салынады.
6. Бұл қысқа толқынды пешті тек өзінің мақсаты бойынша ғана және осында баяндалған нұсқауларға қатаң сәйкестікпен пайдаланыңыз.
7. Қысқа толқынды пеш тек тағамды қыздыру мен өзірлеу үшін ғана арналған зертханалық немесе өнеркәсіптік пайдалануға арналмаған.
8. Қысқа толқынды пешті балалар пайдаланған кезде өте мұқият болыңыз.
9. Қысқа толқынды пешті оның желілік кабелі немесе ашасы бүлінген жағдайда, қысқа толқынды пеш зақымдану немесе құлау салдарынан дұрыс жұмыс істемей тұрса онда оны пайдаланбаңыз.
10. Қысқа толқынды пешті жөндеуді рұқсаты бар сервис орталығындағы білікті мамандар жүргізеді.
11. Қысқа толқынды пештің корпусындағы желдету саңылауларын жаппаңыз.
12. Қысқа толқынды пешті бөлменің сыртында сақтамаңыз және пайдаланбаңыз.
13. Қысқа толқынды пешті судың жанында, ас үйдегі раковинаның жанында, дымқыл жертөле жайларында немесе бассейннің қасында пайдаланбаңыз.
14. Желі кабелін және желі ашасын суға батырмаңыз.
15. Желі кабелі мен желі ашасының ыстық беттермен түйісуін болдырмаңыз.
16. Желі кабелінің үстелдің шетінен салбырауына жол бермеңіз.
17. Қысқа толқынды пештің есігін және ішкі беттерін тазарту кезінде жұмсақ, қажамайтын, былқылдаққа немесе жұмсақ матаға жағылған жуғыш заттарды пайдаланыңыз.
18. Құрылғыны балаларға ойыншық ретінде пайдалануға бермеңіз.
19. Құрылғыны балалар немесе мүмкіншілігі шектеулі жандар пайдаланған кезде өте мұқият болыңыз.
20. Бұл құрылғы балалар мен мүмкіндіктері шектеулі адамдардың пайдалануына арналмаған, ол тек, олардың қауіпсіздігіне жауап беретін адаммен, оларға қауіпсіз пайдалану туралы тиісті және түсінікті нұсқаулықтар мен құрылғыны дұрыс пайдаланбаған жағдайда пайда болуы мүмкін қауіптер туралы түсінік берілген жағдайда ғана мүмкін.
21. Абай болыңыз! Пештің сыртқы беттері, есігі қоса, пайдалану кезінде қызады.
22. Пешті артқы бетін қабырғаға қаратып орналастырыңыз.

САҚТАНУ

Электр тоғының соғуы

Қысқа толқынды пештің электр схемаларының элементтеріне тию қатерлі жарақаттарға және электр тоғының соғуына ұшыратуы мүмкін. Қысқа толқынды пешті өз бетіңізше бұзбаңыз.

Қысқа толқынды пешті жерге қосу

Қысқа толқынды пеш жерге сенімді қосылуы керек. Қандайда бір тұйықталу орын

алған кезде жерге қосу электр тоғының соғу қатерін төмендетеді, себебі тоқтың жерге қоссушы сымның бойымен қайтып кетеді.

Приборда жерге қосушы сым бар желі кабелі мен жерге қосу түйіспесі бар желі ашасы пайдаланылады. Аша жерге қосылған розеткаға сұғылуы керек.

ЕСКЕРТУ: Жерге қосылмаған розеткаға қосылған жерге қосылу түйіспесі бар ашаны пайдалану электр тоғының соғуына ұшыратуы мүмкін.

Егер сізге жерге қосу нұсқаулықтары түсініксіз болса немесе қысқа толқынды пешті жерге сенімді қосу бойынша күмәніңіз болса, онда білікті электр маманымен кеңесіңіз.

- Желі кабелінің шатысуын болдырмау мақсатында қысқа толқынды пеш қысқа желі кабелімен жабдықталған.
- Ұзартқыш сымдарды пайдалану қажеттілігі туындаған кезде желі ашасы мен розеткада жерге қосу түйіспесі бар 3-сымды ұзартқышты пайдаланыңыз.
- Қысқа толқынды пештің желі кабелінің сымдары қимасының таңбасы мен ұзартқыш кабельдегі таңба сәйкес келуі керек.
- Ұзартқыштың желі кабелі балалардың тартып қалуы мүмкіндігі бар, үстелдің шетінен салбырап тұрмауы керек, сонымен бірге кабелді басып жүруге де жол бермеу керек.

Қысқа толқынды пешке арналған ыдыс.

АБАЙЛАҢЫЗ!

- Қысқа толқынды пештің ішіне салынған тығыз жабылған ыдыстардың жарылу қаупі бар.
- Қысқа толқынды пешке салмас бұрын, бу шығып тұруы үшін, жабық ыдыстар ашық болуы керек, ал пластикті бумаларда бірнеше саңылау жасап қою керек.
- Егер сіз ыдысты қысқа толқынды пештің ішінде пайдалануға күмәндансаңыз, онда тексеру жүргізіңіз.
Ыдысты қысқа толқынды пештің ішінде пайдаланар алдында тексеру
- Сыналатын ыдысты пештің жұмыс камерасына орналастырыңыз, оған суық суы бар шыны стақанды қойыңыз.
- Қысқа толқынды пешті максималды қуатқа орнатыңыз да жұмыс уақытын бір минутқа дейін орнатыңыз.
- Абайлап сыналып жатқан ыдысқа өқол лтигізіп көріңіз, егер ол қызып, ал стақандағы су суық қалпында болса, онда мұндай ыдысты қысқа толқынды пештің ішінде тамақ әзірлеу үшін пайдалануға болмайды.
- Сынау уақытыны бір минуттан асырмаңыз.

Қысқа толқынды пештің ішінде пайдалануға жарамды материалдар мен ыдыстар

<p>Алюминий фольгасы</p>	<p>Фольганы тек грил жұмысы күйінде ғана пайдалануға болады. Фольга мен қысқа толқынды пештің қабырғасының арасындағы қашықтық 2,5 см кем болмауы керек. Фольганың ұсақ бөліктерін еттің жұқа тілімдерінің немесе құстың күйіп кетпеуі үшін жабыңқырап қою үшін пайдалануға болады</p> <p>Қысқа толқынды күйде, егер фольга пештің қабырғасына өте жақын орналасқан болса онда ұшқын шашуы, есіктегі экран торлары күюі және пештің істен шығып қалуы мүмкін. Бұл жағдайда сіз тегін кепілді қызмет көрсету мен жөндеу құқығынан айырыласыз.</p>
---------------------------------	---

Қуыруға арналған ыдыс	Өндірушінің нұсқауын істеңіз. Қуыруға арналған ыдыстың түбі айналып тұрған шыны төсемнің түбіне қарағанда 5 мм қалың болуы керек. Қуыруға арналған ыдысты дұрыс пайдаланбау ыдыстың өзінде және шыны төсемде жарықтың пайда болуына әкеп соғуы мүмкін.
Түскі ас ыдысы	Тек қысқа толқынды пеште пайдалануға арналғаны ғана ыдысты өндірушінің нұсқауын істеңіз. Жарықтар мен опырылымдары бар ыдысты пайдаланбаңыз.
Шыны ыдыстар	Ыстыққа төзімді шыныдан жасалған және қысқа толқынды пеште пайдалануға арналған ыдыстар ғана. Металл жиектерінің жоқ болуын тексеріңіз. Жарықтар мен опырылымдары бар ыдысты пайдаланбаңыз.
Шыныыдыс	Ыстыққа төзімді шыныдан жасалған және қысқа толқынды пеште пайдалануға арналған ыдыстар ғана. Металл жиектерінің жоқ болуын тексеріңіз. Жарықтар мен опырылымдары бар ыдысты пайдаланбаңыз.
Қысқа толқынды пеште арнайы қаптарды пайдалана отырып әзірлеу процесі	Өндірушінің нұсқауын істеңіз. Қаптарды металл бұрау мен тартуларды пайдалана отырып жаппаңыз. Қаптарда бір немесе бірнеше саңылауларды бу шығару үшін жасау қажет.
Қағаз тәрелкелер мен тостақтар	Тек қысқа уақыт ішінде әзірлеу/қыздыру үшін ғана пайдаланыңыз. Осындай ыдыста тағамды әзірлеу/қыздыру кезінде қысқа толқынды пешті қараусыз қалдырмаңыз. Әзірленіп жатқан тағамға ондағы жылуды ұстап тұру үшін және майдың шашырауын болдырмау үшін жауып қоюға болады.
Қағаз орамалдар	Тек үнемі бақылауда болған кезде және тек қысқа уақыт ішінде әзірлеу/қыздыру үшін пайдаланыңыз.
Жылтыр қағаз	Май шашуды болдырмау үшін немесе орам қағаз ретінде пайдаланыңыз. Тек үнемі бақылауда болған кезде және тек қысқа уақыт ішінде әзірлеу/қыздыру үшін пайдаланыңыз.
Пластик	Тек "Қысқа толқынды пешке жарамды" деген тиісті таңбасы бар пластиктен жасалған бұйым. Өндірушінің нұсқауын істеңіз. Кейбір пластик ыдыстар ішіндегі өнімдердің қызуынан жұмсарып кетуі мүмкін. Қымталанып жабылған бумаларды сол бумалардың өзінде көрсетілгендей етіп тесіп немесе қиып қою қажет.
Пластик орауыш	Тек тиісті таңбасы бар пластиктен жасалған бұйымдар. Әзірленіп жатқан тағамдардың ылғалын сақтау үшін жауып қоюға болады.
Балауыз қағазы	Май шашыратуды болдырмау үшін, сондай-ақ ылғалды сақтау үшін пайдаланыңыз.

Қысқа толқынды пештің ішінде пайдалануға жарамсыз материалдар мен ыдыстар

Алюминийлі астаулар	Ұшқын шашуы мүмкін. Қысқа толқынды пеште пайдалануға арналған ыдысты пайдаланыңыз.
Металл тұтқасы бар картон тостақ	Ұшқын тудыруы мүмкін. Қысқа толқынды пеште пайдалануға арнайы арналған ыдысты пайдаланыңыз.
Металл ыдыс немесе металл жиегі бар ыдыс	Металл қысқа толқындардың энергиясын экрандайды. Металл жиек ұшқын тудыруы мүмкін.
Металл бұраулар	Тағамды әзірлеу/қыздыру кезінде ұшқын тудыруы мүмкін, сондай-ақ қаптаманың өртенуін тудыруы мүмкін.
Қағаз бумалар	Қысқа толқынды пеште өрт тудыруы мүмкін.

ҚАЗАҚ

Сабын	Сабын балқып кетеді және қысқа толқынды пештің жұмыс камерасын пастайды.
Ағаш	Ағаш ыдыс кеуіп қалады, жарылады және тұтанады.

СУРЕТТЕМЕ

1. Құрсаулау жүйесі бар құлыптар
2. Қарау терзесі
3. СВЧ-толқындарының шығуы
4. Шыны төсемнің тіреуіші
5. Аунақшалы сақина
6. Шыны төсем
7. Басқару панелі
8. Грильге арналған торы тек “гриль” күйінде пайдаланылады

Басқару панелі

- 1 – дисплей
- 2 – «Гриль/Құрамд» тетігі
- 3 – «Салмағы/уақыты бойынша жібіту»
- 4 – «Стоп/Болдырмау» тетігі
- 5 – «Старт/+30 сек/Раптау» тетігі
- 6 – сандық тетіктер
- 7 – «Мәзір» тетігі
- 8 – «Сағат/Орнату» тетігі
- 9 – «Auto reheat» тетігі
- 10 – «Қысқа толқындар» тетігі

Қысқа толқынды пешті жинау

Пештің жұмыс камерасынан қаптама материалы мен керек-жарақтарын алып тастаңыз. Қысқа толқынды пештің деформациясының болмауын тексеріңіз. Пештің есігінің дұрыс жабылуына аса назар аударыңыз. Ақауларды тапқан кезде қысқа толқынды пешті орнатпаңыз және қоспаңыз.

Қорғаныш жабындысы

Корпус: егер қорғаныш пленкасы болса, онда оны корпусстың бетінен алып тастаңыз. Жұмыс камерасының ішіндегі ақшыл-сұр слюдалы пластинаны алмаңыз, себебі ол магнетронды қорғау үшін қызмет етеді.

Шыны төсемді орнату

1. Шыны төсемнің (4) тіреуін жұмыс камерасының түбінде орналасқан саңылауға орнатыңыз.
2. Аунақша сақинаны (5) жұмыс камерасының түбіне орнатыңыз.
3. Шыны төсемді (6) ондағы дөңесті тіреу саңылауына біріктіріп абайлап орнатыңыз. Ешқашан шыны төсемді астын жоғары қаратып орнатпаңыз.
 - Пеш жұмыс істеп тұрған кезде шыны төсемнің айналымына кедергі жасамаңыз.
 - Тағамды дайындау кезінде үнемі шыны төсемді, аунақша сақинаны және төсем тіреуін пайдаланыңыз.
 - Тағамды және тағамды өзірлеуге арналған ыдысты тек шыны төсемге орналастыру керек.
 - Шыны төсем сағат тілімен/тіліне қарсы айнала береді – солай болуы керек.
 - Шыны төсемде жарықтар мен опырылымдар пайда болған кезде оны дереу ауыстырыңыз.

Орнату

- Қысқа толқынды пешті қоспас бұрын жұмыс кернеу мен тұтынатын қуаты электр желісінің параметрлеріне сәйкес келетіндігін тексеріңіз. Қысқа толқынды пешті жерге сенімді қосылған желілік розеткаға қосыңыз.
- Пешті тегіс тұрақты бетке орналастырыңыз. Кішкентай балалардың қолдары жетпейтін жерді таңдап алыңыз.
- Пешті артқы және бүйір қабырғалары үйдің қабырғасынан кемінде 7-8 см қашықтықта, ал пештің үстіндегі еркін кеңістік кемінде 30 см құрайтындай етіп орнатыңыз.
- Қысқа толқынды пештің түбінің тіреу аяқтарын шешпеңіз.
- Қысқа толқынды пештің корпусындағы желдету саңылауларын жаппаңыз.
- Қысқа толқынды пешті теле- және радио-сигналдарды қабылдау кезінде кедергілерді пайда болдырмас үшін теледидардан және радиоқабылдағыштан алшақ орналастыру керек.

ЕСКЕРТУ:

Қысқа толқынды пешті қызатын бетке (ас үй плитасы) және өзгеде жылу көздерін шығаратын беттерге орналастырмаңыз.

Қысқа толқынды пеш оның иесінің кінәсі бойынша істен шығып қалса, ол тегін кепілді қызмет көрсету мен жөндеу құқықтарынан айырылады

ПЕШТІ ПАЙДАЛАНУ

Дыбыстық сигнал

Басқару панеліндегі тетікке әрбір басу дыбыстық сигналмен расталады.

Ағымдағы уақытты орнату

1. «Сағат/Орнату» тетігін басыңыз, дисплейде «0:00» таңбалары көрінеді, ал сағаттың сандары жыпылықтап тұрады.
2. «+» немесе «-» тетіктері арқылы сағатты 0-ден 23-ке дейінгі аралықта орнатыңыз.
3. Растау үшін «Сағат/Орнату» тетігін басыңыз, минуттың сандары жыпылықтап тұрады.
4. «+» немесе «-» тетіктері арқылы минутты 0-ден 59-ке дейінгі аралықта орнатыңыз.
5. Растау үшін «Сағат/Орнату» тетігін басыңыз, «:» таңбасы жыпылықтайтын болады

Ескертпе:

1. Егер сағаттар орнатылмаған болса, онда ағымдағы уақыт көрсетілмейді.
2. Ағымдағы уақытты орнату кезінде сіз «Стоп/Болдырмау» тетігін бассаңыз, бастапқы күйге оралады.

Өзірлеуді бастау уақытын орнату

Үлгі: өзірлеуді бастау уақытын 12:12-ге орнату керек.

1. Ағымдағы уақытты орнатудың дұрыстығын тексеріңіз.
2. Тағам өзірлеудің қалаған бағдарламасын, жібіту бағдарламасынан басқасын, белгілеңіз, мысалы, тағамды максималды қуатта 10 минут ішінде өзірлеу керек.
3. Максималды қуатты орнату үшін «Қысқа толқындар» тетігін бір рет басыңыз.
4. Өзірлеу уақытын орнату үшін «10'» тетігін басыңыз.
Назар аударыңыз! «Старт/+30 сек/Растау» тетігін баспаңыз
5. «Сағат/Орнату» тетігін басыңыз, дисплейде ағымдағы уақыт көрінеді, ал сағаттың сандары жыпылықтап тұрады.
6. «+» немесе «-» тетіктері арқылы сағатты 0-ден 23-ке дейінгі аралықта орнатыңыз.

ҚАЗАҚ

7. Растау үшін «Сағат/Орнату» тетігін басыңыз, минуттың сандары жыпылықтап тұрады.
8. «+» немесе «-» тетіктері арқылы минутты 0-ден 59-ке дейінгі аралықта орнатыңыз.
9. Растау үшін «Start» тетігін басыңыз, «>» таңбасы жыпылықтайтын болады
10. Тағамды әзірлеу белгіленген уақытта басталады.

Ескертпе:

- Сіз орнатқан уақыт 0:00 -23:59 аумағында болуы керек.
- Егер орнату кезінде сіз «Стоп/Болдырмау» тетігін бассаңыз немесе 1 минут ішінде ешқандай әрекет жасалмаса, онда өздігінен бастапқы күйге қайтады.
- Ағымдағы уақыт тағамды әзірлеуді бастау бағдарламасын орнатпай тұрып орнатылуы керек. Егер тағамды әзірлеу бағдарламасы таңдалмай, тек әзірлеуді бастау уақыты ғана орнатылса, онда сол уақытқа жеткен кезде бес дыбыстық белгі ойнайды.
- Орнатылған тағамды әзірлеуді бастау уақытын білу үшін «Сағат/Орнату» тетігін басыңыз, әзірлеуді бастау уақыты дисплейде төрт секунд бойы көрсетіліп тұрады.

Жылдам әзірлеу

1. Ағымдағы уақыт күйінде «Старт/+30 сек/Растау» тетігін басыңыз, 30 секунд бойы тағамды максималды қуатта (100%) әзірлеу процесі басталады. Осы тетікті кезекпен әрбір басу әзірлеу уақытын 30 секундқа көбейтеді. Максималды әзірлеу уақыты – 99 минут 99 секунд.

Тағамды қысқа толқынды пеште әзірлеу

Тағамды әзірлеуді бастамас бұрын қажетті қуат деңгейін, әзірлеу уақытын орнатып алу қажет. Максималды әзірлеу уақыты – 99 минут 99 секунд.

«Қысқа толқындар» тетігін басу саны	Дисплейдегі көрініс	Пештің қуаты
1	P100	100%
2	P80	80%
3	P50	50%
4	P30	30%
5	P10	10%

1. «Қысқа толқындар» тетігін басу арқылы қуаты деңгейін таңдаңыз, дисплейде тиісті таңбалар көрінеді.
2. Сандық тетіктердің көмегімен әзірлеу уақытын енгізіңіз.
5. «Старт/+30 сек/Растау» тетігін басыңыз., тағамды әзірлеу процесі басталады.

Өнімдерді салмағы бойынша жібіту

1. «Салмағы/уақыты бойынша жібіту» тетігін басыңыз, дисплейде «dEF1» жанады.
2. «+» немесе «-» тетіктері арқылы өнімнің салмағын 100-ден 2000 граммға дейінгі аралықта орнатыңыз.
3. «Старт/+30 сек/Растау» тетігін басыңыз., өнімді салмағы бойынша жібіту процесі басталады.

Өнімдерді уақыты бойынша жібіту

1. «Салмағы/уақыты бойынша жібіту» тетігін басыңыз, осы кезде дисплейде «dEF2» жанады.
2. Сандық тетіктердің көмегімен әзірлеу уақытын енгізіңіз. Максималды әзірлеу уақыты – 99 минут 99 секунд.
3. «Старт/+30 сек/Раптау» тетігін басыңыз., өнімді белгіленген уақыты бойынша жібіту процесі басталады.

Өнімдерді өздігінен әзірлеу мәзірі

- А-1 - «көкөністер (vegetable)»
- А-2 - «балық (fish)»
- А-3 - «ет (meat)»
- А-4 - «макарондар (pasta)»
- А-5 - «картоп (potato)»
- А-6 - «пицца (pizza)»
- А-7 - «сорпа (soup)»
- А-8 - «ботқа (porridge)»

Өнімдерді өздігінен әзірлеу кестесі

Өздік күй	Салмақ (г)	Басу саны	Дисплейдегі көрініс
көкөністер (vegetable)/ А-1	150	Бір рет	150
	350	Екі рет	350
	500	Үш рет	500
балық (fish) / А-2	150	Бір рет	150
	250	Екі рет	250
	350	Үш рет	350
	400	Төрт рет	400
	450	Бес рет	450
ет (meat) / А-3	150	Бір рет	150
	300	Екі рет	300
	450	Үш рет	450
	600	Төрт рет	600
макарондар (pasta) / А-4	50 (450 г су)	Бір рет	50
	100 (800 г су)	Екі рет	100
	150 (1200 г су)	Үш рет	150
картоп (potato) / А-5	1 (шамамен 230 г)	Бір рет	1
	2 (шамамен 460 г)	Екі рет	2
	3 (шамамен 690 г)	Үш рет	3
пицца (pizza) А-6	1 (шамамен 80 г)	Бір рет	1
	2 (шамамен 160 г)	Екі рет	2
	3 (шамамен 250 г)	Үш рет	3
сорпа (soup) / А-7	500	Бір рет	500
	750	Екі рет	750
	1000	Үш рет	1000

ҚАЗАҚ

ботқа (porridge) / А-8	550	Бір рет	550
	1100	Екі рет	1100

Үлгі: Салмағы 350г балықты әзірлеу:

1. «Мәзір» тетігін екі рет басыңыз, дисплей «А-2» таңбалары пайда болады.
2. «+» немесе «-» тетіктері арқылы өнімнің салмағын орнатыңыз, дисплейде «350» таңбасы көрінеді.
3. Өнімді өздігінен әзірлеуді бастау үшін «Старт/+30 сек/Рақтау» тетігін басыңыз, дисплейде қалған әзірлеу уақыты көрінеді.

Ескертпе: Өздігінен әзірлеу күйінде дайындау нәтижесі өнімнің өлшемі мен формасына, сондай-ақ шыны төсемде орналасқан жеріне байланысты болады.

Гриль жұмыс күйі

1. «Гриль/Құрамд» тетігін гриль функциясын таңдау үшін басыңыз, дисплейде «G-1» көрінеді.
2. Сандық тетіктердің көмегімен әзірлеу уақытын енгізіңіз. Максималды әзірлеу уақыты – 99 минут 99 секунд.
3. «Старт/+30 сек/Рақтау» тетігін басыңыз, өнімді әзірлеу процесі басталады, дисплейде қалған әзірлеу уақыты көрінеді.

Өнімдерді әзірлеудің құрамдастырылған күйі

Құрамдастырылған әзірлеуге өте жақсы нәтижеге қол жеткізу үшін қысқа толқындық әзірлеу күйі мен гриль жұмыс күйі кіреді.

“С-1” - 55% уақыт қысқа толқындық әзірлеу + 45% уақыт гриль, балық, картоп әзірлеу.
“С-2” - 36% уақыт қысқа толқындық әзірлеу + 64% уақыт гриль, омлет, шоққа пісірілген картоп, құс әзірлеу.

1. «Гриль/Құрамд» тетігін екі немесе үш рет басыңыз - на дисплейде таңдалған құрамдастырылған күйдің таңбалары пайда болады: «С-1» немесе «С-2».
2. Сандық тетіктердің көмегімен әзірлеу уақытын енгізіңіз. Максималды әзірлеу уақыты – 99 минут 99 секунд.
3. «Старт/+30 сек/Рақтау» тетігін басыңыз, өнімді әзірлеу процесі басталады, дисплейде қалған әзірлеу уақыты көрінеді.

Өздігінен қыздыру күйі

1. Ағымдық уақыт күйінде «Өздігінен қыздыру» тетігін басыңыз, дисплейде «150» таңбалары пайда болады.
2. «Өздігінен қыздыру» тетігін баса отырып, сіз өнімнің салмағын таңдай аласыз: 150, 250, 350 немесе 400 грамм.
3. «Старт/+30 сек/Рақтау» тетігін басыңыз, өнімді әзірлеу процесі басталады, дисплейде қалған әзірлеу уақыты көрінеді.

Өнімді екі сатыда әзірлеу

Үлгі: өнімді 10 минут бойы максималды қуатта әзірлеу және 15 минут бойы 80 %-дық қуатта әзірлеуді жалғастыру керек.

1. Максималды қуатты таңдау үшін «Қысқа толқындар» тетігін бір рет басыңыз.
2. «10'» тетігін басу арқылы әзірлеу уақытын 10 минутқа белгілеңіз.
3. «Қысқа толқындар» тетігін қуат мөнін 80%-ға орнату үшін екі рет басыңыз, дисплейде «P80» таңбалары көрінеді.

4. Өзірлеу уақытын 15 минутқа орнату үшін «10'» тетігін бір рет және «1'» тетігін бес рет басыңыз.
5. «Старт/+30 сек/Растау» тетігін басыңыз., өнімді өзірлеу процесі басталады.

Ескертпе:

- Егер өнімдерді өзірлеу процесіне өнімдерді жібіту функциясы қосылған болса, онда ол бірінші болуы керек.
- Өнімдерді өздігінен өзірлеу мәзірінің бағдарламасы өнімдерді екі сатыда өзірлеу бағдарламасына қосыла алмайды.

Пешті балалардың қосуынан құрсаулау функциясы

- Ағымдағы уақыт күйінде «Стоп/Болдырмау» тетігін 3 секунд бойы басып ұстап тұрыңыз, осы кезде ұзақ дыбыстық белгісі ойнайды және дисплейде пиктограммасы [] жанады.
- Құрсаулау функциясын ажырату үшін «Стоп/Болдырмау» тетігін 3 секунд бойы басып тұрыңыз, осы кезде ұзақ дыбыстық белгі ойнайды және пиктограммасы [] сөнеді.

Ескертпе:

1. Өнімді өзірлеу процесінің барысында сіз белгіленген қуатты «Қысқа толқындар» тетігін баса отырып көре аласыз – белгіленген қуат дисплейде 2-3 секунд бойы жанады.
2. Өнімдерді өзірлеу процесінің барысында дисплейде ағымдағы уақытты 2-3 секунд бойы көрсету үшін «Сағат/Орнату» тетігін басыңыз.
3. Өзірлеу барысында сіз пештің есігін ашқан болсаңыз, онда оны жапқаннан кейін өзірлеуді жалғастыру үшін «Старт/+30 сек/Растау» тетігін басу керек.
4. Өзірлеу процесі аяқталғаннан кейін сіз 5 дыбыстық сизанлды естисіз.

Тазалау және күтім

- Пешті тазалау алдында оны сөндіріңіз де желі кабелін розеткадан ажыратыңыз.
- Басқару панеліне ылғалдың тиюін болдырмаңыз. Оны жұмсақ, сәл ылғал сулықпен тазалаңыз.
- Пештің жұмыс камерасын таза ұстаңыз. Егер пештің қабырғаларында өнімдердің бөліктері немесе сұйықтықтың ағындылары қалып қойса, оларды ылғал сулықпен кетіріңіз.
- Жұмыс камерасы қатты ластанған кезде Жұмсақ жуғыш затты пайдалануға болады.
- Қажағыш жуғыш заттарды, сым щеткаларды пештің сырты мен ішін тазалау үшін пайдаланбаңыз. Пештің қақпағында орналасқан ауа мен буды шығаруға арналған саңылауға судың немесе жуғыш заттың тиіп кетпеуін қадағалаңыз.
- Аммиак негізіндегі жуғыш заттарды пайдалануға тыйым салынады.
- Сыртқы беттерді ылғал сулықпен тазалау керек.
- Пештің есігі үнемі таза болуы керек. Пештің есігі мен беткі панелінің арасына тағамдардың түйіршіктерінің жиналып қалуына жол бермеңіз.
- Пешті салқындату үшін ауа кіріп тұратын пештің корпусындағы желдету саңылауларындағы шаң мен кірді үнемі тазалап тұрыңыз.
- Шыны төсеммен оның тіреуін үнемі шешіп алып тазалап отырыңыз; пештің жұмыс камерасының түбін сүртіп отырыңыз.
- Шыны төсем мен оның айналдыратын жетекті бейтарап сабын ерітіндісі бар сумен жуыңыз. Осы бөлшектерді жуу үшін ыдыс жуғыш машинаны пайдалануға болады.

ҚАЗАҚ

- Қызып тұрған шыны төсемді суық суға батырмаңыз: Температураның күрт төмендеу себебінен төсем жарылып кетуі мүмкін.

Ақаулықтарды жою

Ақау	Мүмкін болатын себебі	Жою амалы
Пеш қосылмайды	Желі кабелінің ашасы розеткаға жеткілікті көлемде тығыз орнатылмаған.	Ашаны розеткадан суырыңыз. 10 секунд өткеннен кейін ашаны қайтадан розеткаға <u>сұғыңыз.</u>
	Желілік розетканың проблемасы	Тексеру үшін сол розеткаға басқа электрлі жабдықты қосып <u>көріңіз.</u>
Қызбайды	Есікті мықтап жабылмаған	Есікті мықтап жабыңыз.
Пеш жұмыс істеп тұрған кезде, айналып тұрған шыны төсем бөтен дыбыстар шығарады	Аунақшалы сақина немесе жұмыс камерасының төменгі бөлігі ластанған	Шыны астауша мен аунақшалы сақинаны шешіп алыңыз. Аунақшалы сақина мен жұмыс камерасының түбін жуып жіберіңіз.

Қалыпты жұмыс

Қысқа толқынды пеш теле және радио сигналдарға кедергі келтіреді	Қысқа толқынды пештің жұмысы кезінде теле және радио сигналдарды қабылдау кезінде кедергілер пайда болуы мүмкін. Осындай кедергілер миксер, шаңсорғыш және электрлік фен сияқты кішкене электрприборлары жұмыс істеген кезде пайда <u>болады. Бұл қалыпты құбылыс.</u>
Жарықтың жарқындылығы төмен	Қысқа толқынды сәуле шашудың төменгі қуат деңгейі орнатылған болса, онда жұмыс камерасының жарық көрсеткішінің жарқындылық деңгейі де төмен болуы мүмкін. Бұл қалыпты <u>құбылыс.</u>
Есікте будың жиналуы, желдету саңылауларынан ыстық ауаның шығуы	Өзірлеу кезінде бу өзірленіп жатқан өнімнен шығады. Будың көп бөлігі желдету саңылауынан шығады, бірақ оның кейбір бөліктері есіктің ішкі бөлігінде <u>шөгіп қалуы мүмкін. Бұл қалыпты құбылыс.</u>

Техникалық параметрлері мен сипаттары

Пайдалану жағдайлары

Ауаның температурасы	+10°C - +35°C
Ауаның қатыстық ылғалдығы	35-80%
Атмосфералық қысым	86-106 кПа (650 – 800 мм.рт.ст)

Негізгі параметрлері

Қорек кернеуі:	230 В ± 10% ~ 50 Гц
Атаулы қысқа толқынды қуат	800 Вт
Қысқа толқынды күйде атаулы тұтыну қуаты	1300 Вт
Гриль күйіндегі атаулы тұтыну қуаты	1000 Вт
Жұмыс жиілігі	2450 – 49 МГц
Камераның көлемі	23 л
Шыны төсемнің диаметрі	270 мм
Габариттік өлшемдер, аспайды	450 x 410 x 295 мм

Таза салмағы, аспайды	14,0 кг
Құрамындағы қымбат бағалы материалдар:	
Алтын	0 г
Күміс	1,06794 г

Жинағы

Пеші	1 тал
Шыны төсем	1 тал
Аунақшалы сақина	1 тал
Грильге арналған торы	1 тал
Пайдалану нұсқаулығы	1 тал
Кепілдік талоны	1 тал
Қысқа толқынды пешке арналған рецепттер кітабы	1 тал
Жеке ыдысы	1 тал

Өндіруші алдын ала хабарламастан аспаптың сипаттамаларын өзгертуге құқылы.

Құралдың қызмет ету мерзімі - 5 жыл

МІКРОХВИЛЬОВА ПІЧ

Перед використанням мікрохвильової печі уважно ознайомтесь з цим Посібником. За умови чіткого виконання всіх вказівок цього Посібника, мікрохвильова піч служитиме вам довго і бездоганно. Зберігайте цей посібник в легкодоступному місці.

ЗАСТЕРЕЖЕННЯ, ЯКІ СЛІД ВИКОНУВАТИ, ЩОБ НЕ НАРАЖАТИСЯ НА РИЗИК НЕГАТИВНОГО ВПЛИВУ МІКРОХВИЛЬОВОЇ ЕНЕРГІЇ.

1. Не використовуйте мікрохвильову піч з відкритими дверцятами, оскільки це може стати причиною шкідливого впливу мікрохвильової енергії. Дуже важливо не пошкодити внутрішні замки та механізм блокування дверцят.
2. Не розташовуйте сторонні речі між дверцятами та лицьовою частиною мікрохвильової печі; не давайте залишкам їжі накопичуватися на решітці екранування або на внутрішній стороні дверцят.
3. Не використовуйте мікрохвильову піч, якщо вона пошкоджена або несправна. Особливо важливо, щоб дверцята були щільно закриті та не було наступних пошкоджень:
 - дверцята (зігнуті);
 - петлі та заскочки (зламани або послаблені);
 - пошкоджена решітка екранування з внутрішньої сторони дверцят.
4. Не вносьте змін в електричне коло захисних блокувань дверцят печі.
5. Регулювання та ремонт печі має виконуватися лише спеціалістами авторизованого сервісного центру.

ВАЖЛИВІ ВКАЗІВКИ З ЗАХОДІВ БЕЗПЕКИ

ЗАСТЕРЕЖЕННЯ: Якщо решітка екранування на дверцятах пошкоджена, то експлуатація мікрохвильової печі заборонена.

ЗАСТЕРЕЖЕННЯ: Ремонт мікрохвильової печі завжди небезпечний для людини, яка виконує ремонт, якщо при цьому потрібно знімати металевий кожух, котрий захищає від мікрохвильового випромінювання. Не виконуйте ремонт печі самостійно.

ЗАСТЕРЕЖЕННЯ: Перед розігріванням або приготуванням продуктів в герметичній або вакуумній упаковці не забудьте відкрити її.

Інакше в упаковці утвориться тиск, який може її розірвати, незважаючи на те, що продукт був приготовлений раніше.

- Використовуйте лише посуд передбачений для використання в мікрохвильових печах. Не ставте в піч металевий посуд, оскільки промені НВЧ, які відбиваються від посуду, можуть викликати іскрові розряди та загорання.
- Щоб уникнути перегріву та загорання продуктів, слідкуйте за роботою печі, якщо в ній розміщено продукти в „одноразових” пластикових, паперових та інших подібних упаковках, або в піч завантажено невелику кількість продуктів.
- При розігріванні будь-якої рідини (вода, кава, молоко тощо) майте на увазі, що вона може раптово закипіти та збігти вам на руки в момент витягання посудини з печі. Щоб цього не сталося, поставте в посудину термостійку пластикову ложку або скляну мішалку та, до того, як дістати посудину з печі, перемішайте в ній рідину.
- Пляшечки для годування та банки з дитячим годуванням слід ставити в піч без

кришок та сосок. Вміст потрібно помішувати та періодично збовтувати. Перед годуванням слід перевірити температуру продукту, щоб уникнути опіків.

Важлива інформація

- **ОБОВ'ЯЗКОВО** перевіряйте, чи їжа не гаряча, перед тим, як дати її дитині. Рекомендується збовтати вміст пляшки чи банки, щоб рівномірно розподілити тепло по всьому об'єму.
- Не допускається варіння яєць в шкаралупі або підігрівання зварених круто яєць в **МІКРОХВИЛЬОВОМУ** режимі, оскільки вони лопнуть через підвищення внутрішнього тиску.

ЗАХОДИ БЕЗПЕКИ

1. Поставте піч на рівну, стійку поверхню. Виберіть місце, куди не можуть дістати малі діти.
2. Встановіть піч так, щоб від стіни до задньої та бічних стінок печі залишалася відстань не менше 7-8 см, а вільний простір над піччю становив хоча б 30 см.
3. Дверцята мікрохвильової печі забезпечені системою блокування для відключення живлення при її відкритті. Не дозволяється вносити зміни в роботу схеми блокування дверцят.
4. Не вмикайте мікрохвильову піч без продуктів, робота печі без продуктів може призвести до виходу її з ладу.
5. Приготування продуктів з край низьким вмістом вологи може призвести до їх підгоряння або пожежі.

Якщо сталося загоряння:

- Не відкривайте дверцята.
 - Вимкніть мікрохвильову піч і витягніть мережну вилку з розетки.
6. При приготуванні бекону не кладіть його безпосередньо на скляний піддон, місцевий перегрів скляного піддона може призвести до появи в ньому тріщин.
 7. Не намагайтеся приготувати продукти в мікрохвильовій печі до стану повного прожарування.
 8. Не дозволяється підігрівати рідину в посудинах з вузькими шийками.
 9. Не використовуйте мікрохвильову піч для домашнього консервування, оскільки немає впевненості в тому, що вміст банок досягне температури кипіння.
 10. Щоб уникнути тривалого бурхливого кипіння рідких продуктів і напоїв, а також щоб уникнути опіків рекомендується перемішувати продукти на початку і в середині процедури приготування. Для цього вимкніть нагрівання, зачекайте деякий час, вийміть посудину з продуктами, перемішайте і поставте назад в мікрохвильову піч для продовження процесу приготування.
 11. Регулярно чистіть мікрохвильову піч. Нерегулярний догляд за піччю може призвести до погіршення її зовнішнього вигляду, негативно позначитися на її продуктивності, а також призвести до небезпечних ситуацій при експлуатації печі.

Правила, про які завжди слід пам'ятати

1. Не перевищуйте час приготування продуктів в мікрохвильовій печі. Завжди стежте

- за процесом приготування, якщо використовуєте посуд з паперу, пластику та інших горючих матеріалів.
2. Ніколи не використовуйте мікрохвильову піч з метою зберігання в ній різноманітних предметів. Ніколи не зберігайте в мікрохвильовій печі продукти такі як хліб, печиво, а також паперові упаковки, горючі матеріали тощо, оскільки під час грози мікрохвильова піч може включитися спонтанно.
 3. Металеві закрутки, затискачі, дротяні ручки з паперових або пластикових пакетів необхідно видалити перед тим, як поставити продукт у мікрохвильову піч.
 4. Мікрохвильова піч повинна мати надійне заземлення. Підключайте мікрохвильову піч тільки до розетки, що має надійне заземлення.
 5. Деякі з продуктів (яйця в шкаралупі, рідкі або тверді жири), а також герметично закриті банки, закриті скляні ємності є вибухонебезпечними, тому ставити їх у мікрохвильову піч забороняється.
 6. Використовуйте цю мікрохвильову піч виключно за призначенням і в суворій відповідності з викладеними вказівками.
 7. Мікрохвильова піч призначена виключно для підігріву та приготування їжі і не призначена для лабораторного або промислового використання.
 8. Будьте дуже уважними, коли мікрохвильовою піччю користуються діти.
 9. Не користуйтеся мікрохвильовою піччю, якщо мережний кабель або вилка ушкоджені, або якщо мікрохвильова піч не працює належним чином внаслідок пошкодження або падіння.
 10. Ремонт мікрохвильової печі повинні здійснювати кваліфіковані фахівці авторизованого сервісного центру.
 11. Не закривайте вентиляційні отвори на корпусі мікрохвильової печі.
 12. Не зберігайте та не використовуйте мікрохвильову піч поза приміщеннями.
 13. Не використовуйте мікрохвильову піч поблизу води, поруч з кухонною раковиною, у сирих підвальних приміщеннях або поруч з басейном.
 14. Не занурюйте мережний кабель і мережну вилку у воду.
 15. Уникайте контакту мережного кабелю і мережної вилки з гарячими поверхнями.
 16. Не допускайте звисання мережного кабелю з краю столу.
 17. Для чищення дверцят і внутрішніх поверхонь мікрохвильової печі використовуйте м'які неабразивні м'які засоби, нанесені на губку або на м'яку тканину.
 18. Не дозволяйте дітям використовувати прилад як іграшку.
 19. Будьте особливо уважними при використанні приладу дітьми або людьми з обмеженими можливостями.
 20. Цей пристрій може використовуватися дітьми та людьми з обмеженими можливостями тільки в тому разі, якщо особа, відповідальна за їх безпеку, надала їм відповідні і зрозумілі інструкції про безпечне користування пристроєм та можливу небезпеку внаслідок неправильного користування.
 21. Будьте обережними! Зовнішні поверхні печі, з дверцятами включно, нагріваються під час експлуатації.
 22. Розташуйте піч задньою стінкою до стіни.

ЗАСТЕРЕЖЕННЯ

Ураження електричним струмом

Дотик до елементів електричної схеми мікрохвильової печі може призвести до

серйозних травм і ураження електричним струмом. Не розбирайте самостійно мікрохвильову піч.

Заземлення мікрохвильової печі

Мікрохвильова піч повинна бути надійно заземлена. У разі замикання заземлення знижує ризик ураження електричним струмом, так як струм буде відводитися по заземленому проводі.

У приладі використовується мережний кабель з заземленим дротом і мережна вилка з контактом заземлення. Вилка повинна підключатися до розетки, що має контакт заземлення.

ЗАСТЕРЕЖЕННЯ: використання вилки з контактом заземлення, включеної в розетку без заземлення, може призвести до ризику удару електрострумом.

Порадьтеся з кваліфікованим електриком, якщо вам не зрозумілі інструкції із заземлення або є сумніви щодо надійності заземлення мікрохвильової печі.

- З метою запобігання заплутування мережного кабелю мікрохвильова піч оснащена коротким мережним кабелем.
- При необхідності використання подовжувача використовуйте лише 3-провідний подовжувач з контактом заземлення на мережній вилці і розетці.
- Маркування перерізу проводів мережного кабелю мікрохвильової печі та маркування на кабелі подовжувача повинні збігатися.
- Мережний кабель подовжувача повинен бути прокладений так, щоб він не звисав з країв столу, де за нього можуть потягнути діти; також слід не допускати можливості ходіння по кабелю.

Посуд для мікрохвильової печі

ОБЕРЕЖНО!

- Щільно закриті ємності, покладені в мікрохвильову піч, можуть бути вибухонебезпечними.
- Закриті ємності слід відкрити, а в пластикових пакетах необхідно зробити кілька отворів для виходу пари перед тим, як поставити їх у мікрохвильову піч.
- Якщо у вас виникають сумніви щодо використання посуду в мікрохвильовій печі, то проведіть перевірку.

Перевірка посуду перед використанням в мікрохвильовій печі

- Встановіть посудину, яку треба випробувати (наприклад, тарілку), в робочу камеру печі, поставте на неї склянку з холодною водою.
- Увімкніть мікрохвильову піч на максимальну потужність і встановіть час роботи не більше однієї хвилини.
- Акуратно доторкніться до посудини, що випробовується: якщо вона нагрілася, а вода в склянці холодна, то використовувати такий посуд для приготування продуктів в мікрохвильовій печі не можна.
- Уникайте перевищення часу випробування більше однієї хвилини.

Матеріали і посуд придатні для використання в мікрохвильовій печі

Алюмінієва фольга	<p>Фольгу можна використовувати тільки в режимі роботи гриля. Відстань між фольгою і стінками мікрохвильової печі повинна бути не менше 2,5 см. Щоб уникнути надмірного прожарювання їжі, тонкі шматочки м'яса або птиці можна покрити маленькими шматочками фольги.</p> <p>У мікрохвильовому режимі, якщо фольга розташована занадто близько до стінок печі, може відбутися іскріння, прогорання екрануючої решітки на дверцятах, або піч може вийти з ладу. У цьому випадку ви втрачаєте право на безкоштовне гарантійне обслуговування та ремонт.</p> <p>Дотримуйтесь інструкцій виробника.</p>
Посуд для смаження	<p>Дно посудини для смаження повинно бути на 5 мм товстішим, ніж у скляного піддону, що крутиться. Неправильне використання посуду для смаження може призвести до появи тріщин в самій посудині і в скляному піддоні.</p>
Обідній посуд	<p>Тільки той, що призначений для використання в мікрохвильовій печі. Виконуйте вказівки виробника посуду. Не використовуйте посуд з тріщинами або відколами.</p>
Скляні ємності	<p>Тільки ємності, виготовлені з жароміцного скла і призначені для використання в мікрохвильовій печі. Переконайтесь у відсутності металевих обідків. Не використовуйте ємності з тріщинами або відколами.</p>
Скляний посуд	<p>Тільки посуд, виготовлений з жароміцного скла і призначений для використання в мікрохвильовій печі. Переконайтесь у відсутності металевих обідків. Не використовуйте посуд з тріщинами або відколами.</p>
Процес приготування їжі в мікрохвильовій печі з використанням спеціальних мішків	<p>Дотримуйтесь інструкцій виробника. Не закривайте мішки, використовуючи металеві закрутки або перетяжки. У мішках необхідно зробити одне або кілька отворів для виходу пари.</p>
Паперові тарілки та чашки	<p>Використовуйте лише для короткочасного приготування/розігрівання. Не залишайте мікрохвильову піч без нагляду під час приготування/розігрівання продуктів у такому посуді.</p>
Паперові салфетки	<p>Можна накрити продукти під час приготування для утримання тепла і для запобігання розбризкування жиру. Використовуйте тільки під наглядом і тільки для короткочасного приготування/підігріву.</p>
Пергаментний папір	<p>Використовуйте з метою запобігання розбризкування жиру або як обгортки. Використовуйте тільки під наглядом і тільки для короткочасного приготування/підігріву.</p>
Пластик	<p>Тільки ті вироби з пластику, які мають відповідне маркування «Придатний для мікрохвильової печі». Дотримуйтесь інструкцій виробника.</p> <p>Деякі пластикові ємності можуть розм'якшуватися під час нагрівання продуктів, які в них містяться.</p> <p>Герметично закриті пластикові пакети необхідно проколоти або прорізати, як вказано на самих упаковках.</p>
Пластикова обгортка	<p>Тільки ті вироби з пластику, які мають відповідне маркування.</p> <p>Можна накривати продукти під час приготування для збереження в них вологи.</p>
Восковий папір	<p>Використовуйте для запобігання розбризкування жиру, а також для збереження вологи.</p>

Матеріали і посуд непридатні для використання в мікрохвильовій печі

Алюмінієві підноси	Можуть викликати іскріння. Користуйтеся посудом, спеціально призначеним для використання в мікрохвильовій печі.
Картонна чашка з металевою ручкою	Можуть викликати іскріння. Користуйтеся посудом, спеціально призначеним для використання в мікрохвильовій печі.
Посуд металевий або посуд з металевим обідком	Метал екранує енергію мікрохвиль. Металевий обід може викликати іскріння.
Металеві закрутки	Можуть викликати іскріння, а також загоряння упаковки під час приготування/розігрівання продуктів.
Паперові пакети	Можуть викликати загоряння в мікрохвильовій печі.
Мило	Мило може розплавитися та викликати забруднення робочої камери мікрохвильової печі.
Дерево	Дерев'яний посуд може висохнути, розтріскатися та загорітися.

Опис

1. Замки з системою блокування
2. Оглядове вікно
3. Вихід хвиль НВЧ
4. Опора скляного піддону
5. Роликове кільце
6. Скляний піддон
7. Панель управління
8. Решітка для гриля. Використовується тільки в режимі «Гриль»

Панель управління

- 1 - дисплей
- 2 - кнопка «Гриль/Комбі»
- 3 - кнопка «розморожування за вагою/часом»
- 4 - кнопка «Стоп/Скасування»
- 5 - кнопка «Старт/ +30 сек/Підтвердити»
- 6 – цифрові кнопки
- 7 – кнопка «Меню»
- 8 - кнопка «Годинник/Встановлення»
- 9- кнопка «Автоподогрев»
- 10 - кнопка «Мікрохвилі»

Складання мікрохвильової печі

Витягніть пакувальний матеріал і аксесуари з робочої камери печі. Огляньте мікрохвильову піч на наявність деформацій. Зверніть особливу увагу на справність дверцят печі. При виявленні несправностей, не встановлюйте і не вмикайте мікрохвильову піч.

Захисне покриття

Корпус: якщо є захисна плівка, то видаліть її з поверхні корпусу.

Не видаляйте світло-сіру слюдяну пластину всередині робочої камери, тому що вона служить для захисту магнетрона.

Встановлення скляного піддону

1. Встановіть опору скляного піддону (4) в отвір, розташований в днищі робочої камери.
2. Встановіть роликіве кільце (5) на днище робочої камери.
3. Акуратно встановіть скляний піддон (6), сумістіть виступи на ньому з пазами опори. Ніколи не встановлюйте скляний піддон нижньою частиною догори.
 - Не перешкоджайте обертанню скляного піддону під час роботи печі.
 - Під час приготування продуктів завжди використовуйте скляний піддон, роликіве кільце і опору піддона.
 - Продукти та посуд для приготування продуктів необхідно встановлювати тільки на скляний піддон.
 - Скляний піддон може обертатися за/проти годинникової стрілки - так і має бути.
 - При виникненні тріщин або відколів на скляному піддоні негайно замініть його.

Встановлення

- Перед підключенням мікрохвильової печі переконайтесь, що робоча напруга та споживана потужність відповідають параметрам електричної мережі. Підключайте мікрохвильову піч до розетки, яка має надійне заземлення.
- Встановіть піч на рівну, стійку поверхню. Виберіть таке місце, яке було б недоступне для маленьких дітей.
- Встановіть піч так, щоб від стіни до задньої та бічних стінок печі залишалося відстань не менше 7-8 см, а вільний простір над піччю становив не менше 30 см.
- Не знімайте опорні ніжки з днища мікрохвильової печі.
- Не закривайте вентиляційні отвори на корпусі мікрохвильової печі.
- Необхідно розміщувати мікрохвильову піч далеко від телевізійних і радіоприймачів, щоб уникнути перешкод під час прийому теле- і радіосигналів.

ПОПЕРЕДЖЕННЯ: забороняється встановлювати мікрохвильову піч на поверхню з підігрівом (кухонну плиту) та інші джерела теплового випромінювання.

При виході з ладу мікрохвильової печі з вини власника, він позбавляється права на безкоштовне гарантійне обслуговування та ремонт.

ЕКСПЛУАТАЦІЯ ПЕЧІ

Звуковий сигнал

Кожне натискання кнопки на панелі управління підтверджується звуковим сигналом.

Встановлення поточного часу

1. Натисніть кнопку «Годинник/Встановлення», на дисплеї з'являться символи «0:00», а цифри години будуть блимати.
2. Кнопками «+» або «-» встановіть години в інтервалі від 0 до 23.
3. Натисніть кнопку «Годинник/Встановлення» для підтвердження, цифри хвилин будуть блимати.
4. Кнопками «+» або «-» встановіть хвилини в інтервалі від 0 до 59.
5. Натисніть кнопку «Годинник/Встановлення» для підтвердження, символи «:» будуть блимати.

Примітки:

1. Якщо час не встановлено, поточний час відобразитися не буде.
2. Якщо під час встановлення поточного часу ви натискаєте кнопку «Стоп/Скасування», то відбувається повернення до попереднього режиму.

Встановлення часу початку приготування

Приклад: встановити час початку приготування на 12:12.

1. Перевірте правильність встановлення поточного часу.
2. Встановіть бажану програму приготування продуктів, за винятком програми розморожування, наприклад, приготувати продукти протягом 10 хвилин при максимальній потужності.
3. Натисніть один раз кнопку «Мікрохвилі», щоб встановити максимальну потужність.
4. Натисніть кнопку «10 '», щоб встановити час приготування.
Увага! Не натискайте кнопку «Старт/+30 сек/Підтвердити»
5. Натисніть кнопку «Годинник/Встановлення», на дисплеї відобразиться поточний час, а цифри години будуть блимати.
6. За допомогою кнопок «+» або «-» встановіть години в інтервалі від 0 до 23.
7. Натисніть кнопку «Годинник/Встановлення» для підтвердження, цифри хвилин будуть блимати.
8. За допомогою кнопок «+» або «-» встановіть хвилини в інтервалі від 0 до 59.
9. Натисніть кнопку «Старт» для підтвердження, символи «:» будуть блимати.
10. Приготування продуктів розпочнеться у встановлений час.

Примітка:

- **Встановлений вами час має знаходитися в діапазоні 0:00 - 23:59.**
- **Якщо під час встановлення натиснути кнопку «Стоп/Скасувати», або протягом 1 хвилини не буде зроблено ніяких дій, відбудеться автоматичне повернення до попереднього режиму.**
- **Поточний час має встановлюватися до встановлення програми початку приготування продуктів. Якщо програма приготування продуктів не була вибрана, а був встановлений тільки час початку приготування, то при настанні цього часу пролунають п'ять звукових сигналів.**
- **Щоб дізнатися, на який час встановлено початок приготування продуктів, натисніть кнопку «Годинник/Встановлення», час початку приготування світлитиметься на дисплеї протягом чотирьох секунд.**

Швидке приготування

1. У режимі поточного часу натисніть кнопку «Старт/+30 сек/Підтвердити», розпочнеться процес приготування продуктів при максимальній потужності (100%) протягом 30 секунд. Кожне наступне натиснення цієї кнопки збільшує час приготування на 30 секунд. Максимальний можливий час приготування - 99 хвилин 99 секунд.

УКРАЇНСЬКИЙ

Приготування продуктів в мікрохвильовій печі

Перед початком приготування продуктів необхідно встановити необхідний рівень потужності та час приготування. Максимально можливий час приготування - 99 хвилин 99 секунд.

Кількість натискувань кнопки «Мікрохвилі»	Зображення на дисплеї	Потужність печі
1	P100	100%
2	P80	80%
3	P50	50%
4	P30	30%
5	P10	10%

1. Натискуючи кнопку «Мікрохвилі», виберіть рівень потужності, на дисплеї з'являться відповідні символи.
2. За допомогою цифрових кнопок введіть час приготування.
3. Натисніть кнопку «Старт/+30 сек/Підтвердити», почнеться процес приготування продуктів.

Розморожування продуктів за вагою

1. Натисніть кнопку «розморожування за вагою/часом», на дисплеї з'явиться «dEF1».
2. За допомогою кнопок «+» або «-» встановіть вагу продукту в діапазоні від 100 до 2000г.
3. Натисніть кнопку «Старт/+30сек/Підтвердити», почнеться процес розморожування продуктів за встановленою вагою.

Розморожування продуктів за часом

1. Натисніть кнопку «розморожування за вагою/часом», при цьому на дисплеї з'явиться «dEF2».
2. За допомогою цифрових кнопок введіть час приготування. Максимально можливий час приготування - 99 хвилин 99 секунд.
3. Натисніть кнопку «Старт/+30 сек/Підтвердити», розпочнеться процес розморожування продуктів за встановленим часом.

Меню автоматичного приготування продуктів

- A-1 - «овочі (vegetable)»
- A-2 - «риба (fish)»
- A-3 - «М'ясо (meat)»
- A-4 - «макарони (pasta)»
- A-5 - «картопля (potato)»
- A-6 - «піца (pizza)»
- A-7 - «суп (soup)»
- A-8 - «каша (porridge)»

Таблиця автоматичного виготовлення продуктів

Автоматичний режим	Вага (г)	Кількість натис- кувань	Зображення на дисплеї
овочі (vegetable)/А-1	150	Один раз	150
	350	Двічі	350
	500	Тричі	500
риба (fish) /А-2	150	Один раз	150
	250	Двічі	250
	350	Тричі	350
	400	Чотири рази	400
	450	П'ять раз	450
м'ясо (meat)/А-3	150	Один раз	150
	300	Двічі	300
	450	Тричі	450
	600	Чотири рази	600
макарони (pasta)/А-4	50 (450 г води)	Один раз	50
	100 (800 г води)	Двічі	100
	150 (1200 г води)	Тричі	150
картопля (potato)/А-5	1 (приблизно 230 г)	Один раз	1
	2 (приблизно 460 г)	Двічі	2
	3 (приблизно 690 г)	Тричі	3
піца (pizza)/А-6	1 (приблизно 80 г)	Один раз	1
	2 (приблизно 160 г)	Двічі	2
	3 (приблизно 250 г)	Тричі	3
суп (soup)/А-7	500	Один раз	500
	750	Двічі	750
	1000	Тричі	1000
каша (porridge)/А-8	550	Один раз	550
	1100	Двічі	1100

Приклад: Приготувати рибу вагою 350г:

1. Натисніть двічі кнопку «Меню», на дисплеї з'являться символи «А-2».
2. За допомогою кнопок «+» або «-» встановіть вагу продукту, на дисплеї з'являться символи «350».
3. Натисніть кнопку «Старт/+30 сек/Підтвердити», щоб розпочати автоматичне приготування продуктів, на дисплеї буде показано час, що залишається до завершення процесу.

Режим роботи гриль

1. Натисніть кнопку «Гриль/Комбі» один раз для вибору функції гриль, на дисплеї з'явиться «G-1».
2. За допомогою цифрових кнопок введіть час приготування. Максимально можливий час приготування - 99 хвилин 99 секунд.
3. Натисніть кнопку «Старт/+30 сек/Підтвердити», розпочнеться процес

УКРАЇНСЬКИЙ

приготування продуктів, на дисплеї буде показано час, що залишається до завершення процесу.

Примітка:

По закінченні половини встановленого часу пролунають два звукових сигнали, в цей момент ви можете перевернути продукти, які готуються в робочій камері печі, закрити дверцята і натиснути кнопку «Старт/+30 сек/Підтвердити». Якщо протягом 1 хвилини ви не здійснили жодних дій, то процес приготування продовжиться, і ви почуєте один звуковий сигнал.

Комбінований режим приготування продуктів

Комбінований приготування поєднує режим мікрохвильового приготування і режим роботи гриля, що може покращити якість приготування.

«С-1» - 55% часу мікрохвильове приготування + 45% гриль, приготування риби, картоплі.

«С-2» - 36% часу мікрохвильове приготування + 64% гриль, приготування омлету, печеної картоплі, птиці.

1. Натисніть кнопку «Гриль/Комбі» двічі або тричі - на дисплеї відобразяться символи обраного комбінованого режиму: «С-1» або «С-2».
2. За допомогою цифрових кнопок введіть час приготування. Максимально можливий час приготування - 99 хвилин 99 секунд.
3. Натисніть кнопку «Старт/+30 сек/Підтвердити», розпочнеться процес приготування продуктів, на дисплеї буде показано час, що залишається до завершення процесу.

Режим автопідігрівання

1. У режимі поточного часу натисніть кнопку «Автопідігрівання», на дисплеї з'являться символи «150».
2. Натискаючи кнопку «Автопідігрівання», ви можете вибрати вагу продукту: 150, 250, 350 або 400 г.
3. Натисніть кнопку «Старт/+30 сек/Підтвердити», розпочнеться процес приготування продуктів, на дисплеї буде показано час, що залишається до завершення процесу.

Приготування продуктів в два етапи

Приклад: приготувати продукти протягом 10 хвилин при максимальній потужності і продовжити приготування протягом 15 хвилин при 80%-ній потужності.

1. Натисніть один раз кнопку «Мікрохвилі» для вибору максимальної потужності.
2. Натисненням кнопки «10'» встановіть час готування 10 хвилин.
3. Натисніть двічі кнопку «Мікрохвилі», щоб встановити значення потужність 80%, на дисплеї відображаються символи «P80».
4. Натисніть один раз кнопку «10'» і п'ять разів кнопку «1'», щоб встановити час приготування 15 хвилин.
5. Натисніть кнопку «Старт/+30 сек/Підтвердити», почнеться процес приготування продуктів.

Примітка:

- **Якщо в процес приготування продуктів включена функція розморожування продуктів, то вона повинна бути першою.**
- **Програма меню автоматичного приготування продуктів не може бути включена в програму приготування продуктів в два етапи.**

Функція блокування печі від включення дитьми

- У режимі поточного часу натисніть і утримуйте кнопку «Стоп/Скасування» протягом 3 секунд, пролунає тривалий звуковий сигнал і на дисплеї загориться піктограма [: :]
- Щоб вимкнути блокування натисніть і утримуйте кнопку «Стоп/Скасування» протягом трьох секунд, пролунає тривалий звуковий сигнал і піктограма [: :] згасне.

Примітки:

- 1. В процесі приготування продуктів ви можете подивитися встановлену потужність, натиснувши кнопку «Мікрохвилі» - встановлена потужність буде показана на дисплеї протягом 2-3 секунд.**
- 2. В процесі приготування продуктів натисніть кнопку «Годинник/Встановлення» для відображення на дисплеї поточного часу протягом 2-3 секунд.**
- 3. Якщо під час приготування Ви відчиняли дверцята печі, то після її закриття необхідно натиснути кнопку «Старт/+30 сек/Підтвердити» для продовження приготування.**
- 4. Після закінчення процесу приготування ви почуєте 5 звукових сигналів.**

Чищення та догляд

- Перед чищенням вимкніть піч і відключіть мережний кабель від розетки.
- Не допускайте потрапляння вологи на панель керування. Очищайте її м'якою, дещо вологою серветкою.
- Утримуйте робочу камеру печі в чистоті. Якщо на стінках печі залишилися шматочки продуктів або патьоки рідини, видаліть їх вологою серветкою.
- Якщо робоча камера надто забруднена, можна використовувати м'який миючий засіб.
- Не користуйтеся абразивними миючими засобами, дротяними щітками для чищення печі зовні і всередині. Слідкуйте за тим, щоб вода або миючий засіб не потрапили в отвори, призначені для відводу повітря і пари, які знаходяться на кришці печі.
- Забороняється використовувати миючі засоби на основі аміаку.
- Зовнішні поверхні потрібно чистити вологою серветкою.
- Дверцята печі завжди повинні бути чистими. Не допускайте накопичення крихт їжі між дверцятами і лицьовою панеллю печі, це перешкоджає нормальному закриттю дверцят.
- Регулярно очищайте від пилу і бруду вентиляційні отвори на корпусі печі, через які надходить повітря для охолодження печі.

УКРАЇНСЬКИЙ

- Регулярно знімайте і чистіть скляний піддон і його опору; протирайте дно робочої камери печі.
- Скляний піддон і привід його обертання мийте у воді з нейтральним мильним розчином. Для миття цих деталей можна скористатися посудомийною машиною.
- Не опускайте нагрітий скляний піддон в холодну воду: через різкий перепад температур скляний піддон може лопнути.

Усунення несправностей

Несправність	Можлива причина	Спосіб усунення
Піч не вмикається	Вилка мережного кабелю не щільно вставлена в розетку	Витягніть вилку з розетки. Через 10 секунд вставте вилку в розетку повторно.
	Проблема з мережною розеткою	Для перевірки спробуйте ввімкнути в ту ж розетку інший електроприлад
Відсутній нагрів	Нещільно закриті дверцята	Щільно закрийте дверцята
Під час роботи печі скляний піднос, що крутиться, видає сторонні шуми	Забруднене роликіве кільце або нижня частина робочої камери.	Зніміть скляний піднос та роликіве кільце. Промийте роликіве кільце та днище робочої камери.

Нормальна робота

Мікрохвильова піч створює завади для прийому теле- та радіосигналів.	Під час роботи мікрохвильової печі можуть виникати перешкоди при прийомі теле- та радіохвиль. Аналогічні перешкоди створюються при роботі невеликих електроприладів, таких як міксер, пилосос та електричний фен. Це нормальне явище.
Недостатня яскравість підсвічування	Якщо встановлений низький рівень потужності мікрохвильового випромінювання, то рівень яскравості підсвічування робочої камери може бути низьким. Це нормальне явище.
Накопичення пари на дверцятах, вихід гарячого повітря з вентиляційних отворів.	У процесі приготування, з продуктів, що готуються, може виходити пара. Більша кількість пари виходить через вентиляційні отвори, але деяка частина її може осідати на внутрішній стороні дверцят. Це нормальне явище.

Технічні параметри та характеристики

Умови експлуатації:

Температура повітря	+10°C - +35°C
Відносна вологість повітря	35-80%
Атмосферний тиск	86- 106 кПа (650 – 800 мм.рт.ст)

Основні параметри

Напруга споживання:	230 В ± 10% ~ 50 Гц
Номінальна мікрохвильова напруга	800 Вт

Номинальна споживана напруга в режимі мікрохвиль	1300 Вт
Номинальна споживана напруга в режимі грилю	1000 Вт
Робоча частота	2450 ± 49 МГц
Об'єм камери	23 л
Діаметр скляного піддону	270 мм
Габаритні розміри, не більше	450 x 410 x 295 мм
Маса нетто, не більше	14,0 кг
Вміст дорогоцінних матеріалів:	
Золото	0 г
Срібло	1,06794 г

Комплектність

Піч	1 шт.
Скляний піддон	1 шт.
Роликове кільце	1 шт.
Решітка для грилю	1 шт.
Інструкція з експлуатації	1 шт.
Гарантійний талон	1 шт.
Книга рецептів для мікрохвильової печі	1 шт.
Індивідуальна тара	1 шт.

Виробник залишає за собою право змінювати характеристики приладу без попереднього повідомлення.

Термін служби приладу – 5 років

БЕЛАРУСКІ

МІКРАХВАЛЕВАЯ ПЕЧ

Перад выкарыстаннем мікрахвалевай печы ўважліва азнаёмцеся з сапраўдным Кіраўніцтвам. Пры ўмове выразнага прытрымлівання ўсім указанням Кіраўніцтва, мікрахвалевая печ бездакорна праслужыць Вам шмат гадоў. Захоўваеце дадзенае кіраўніцтва ў лёгкадаступным месцы.

ЗАСЦЯРОГІ, ЯКІЯ НЕАБХОДНА ВЫКОНВАЦЬ, КАБ НЕ ПАДВЯРГАЦА РЫЗЫЦЫ ЎЗДЗЕЯННЯ МІКРАХВАЛЕВАЙ ЭНЕРГІІ

1. Не спрабуйце карыстацца мікрахвалевай печчу пры адкрытых дзверцах, бо пры гэтым узнікае рызыка атрымаць шкоднае ўздзеянне мікрахвалевай энергіі. Вельмі важна не пашкодзіць унутраныя замкі і механізм блакавання дзверцаў.
2. Не змяшчайце староннія прадметы паміж дзверцамі і асабовай часткай мікрахвалевай печы і не дазваляйце рэшткам ежы ці чысцячым сродкам, запасіцца на экраніруючай рашотцы ці на ўнутраным боку дзверцаў.
3. Не карыстайцеся мікрахвалевай печчу, пры яе пашкоджанні ці няспраўнасці. Асабліва важна, каб дзверцы заўсёды былі шчыльна зачыненыя і не былі пашкоджаныя:
 - дзверцы (пагнутыя)
 - завесы і зашчапкі (зламаныя ці саслабленыя)
 - экраніруючая рашотка з унутранага боку дзверцаў
4. Не ўносьце змены ў электрычныя ланцугі ахоўных блакаванняў дзверцаў печы.
5. Рэгулёўкацірамонтпечывавіннывырабляцца толькі адмыслоўцамі аўтарызаванага сэрвіснага цэнтра.

ВАЖНЫЯ ЎКАЗАННІ ПА МЕРАХ БЯСПЕКІ

ПАПЯРЭДЖАННЕ: Калі на дзверцах пашкоджана экраніруючая рашотка, то эксплуатацыя мікрахвалевай печы забараняецца.

ПАПЯРЭДЖАННЕ: Ремонт мікрахвалевай печы заўсёды ўяўляе небяспеку для любога чалавека, які здзяйсняе ремонт, калі пры гэтым неабходна здымаць металічны кажух, што забяспечвае абарону ад мікрахвалевага выпраменьвання. Не рамантуйце печы самастойна.

ПАПЯРЭДЖАННЕ: Перад разаграваннем ці падрыхтоўкай прадуктаў у герметычным ці вакуумным пакаванні, не забудзьцеся адчыніць яго. У адваротным выпадку ў пакаванні створыцца ціск, які можа разарваць яго, не гледзячы нават на тое, што прадукт быў раней прыгатаваны.

- Выкарыстоўвайце посуд, які прызначаны для мікрахвалевых печаў. Не стаўце ў печ металічны посуд, бо адлюстраваныя посудам ЗВЧ - хвалі могуць выклікаць іскрывыя разрады і ўзгаранне.
- У пазбяганне перагрэву і ўзгарання прадуктаў, бесперапынна сачыце за працай печы, калі ў яе змешчаны прадукты ў “разавых” пластыкавых, папяровых і іншых падобных пакаваннях ці калі ў печ загрузана невялікая колькасць прадуктаў.
- Калі Вы разаграваете якую-небудзь вадкасць (ваду, каву, малако і інш.), то майце на ўвазе, што яна можа раптам ускіпець і выплюхнуцца вам на рукі ў той момант, калі вы дастаяце ёмістасць з печы. Каб гэтага не адбылося, змясціце ў ёмістасць тэрмаўстойлівую пластыкавую лыжку ці шклянную мяшалку і перад тым, як дастаць ёмістасць, перамяшайце ў ёй вадкасць.

- Бутэлеккі для кармлення і слоікі з дзіцячым сілкаваннем варта змяшчаць у печ без вечаў і сосак. Змесціва трэба змешваць ці перыядычна падтрасаць. Перад кармленнем неабходна праверыць тэмпературу змесціва, каб не дапусціць апёкаў.

Важная інфармацыя

- АБАВЯЗКОВА праверце, ці не гарачая ежа, перш чым даваць яе дзіцяці. Рэкамендуем узбаўтаць змесціва слоіка ці бутэлькі, каб раўнамерна размеркаваць цяпло па ўсім аб'ёме.
- Не дапушчаецца варыць яйкі ў шкарлупіне ці падаграваць звараныя ўкрутую яйкі ў МІКРАХВАЛЕВЫМ рэжыме, бо яны лопнуць з-за падвышэння ўнутранага ціску.

МЕРЫ БЯСПЕКІ

1. Усталойце печ на роўную, устойлівую паверхню. Абярыце такое месца, якое было б не даступнае для маленькіх дзяцей.
2. Усталойце печ так, каб ад сцяны да задняй і бакавых сценак печы заставалася адлегласць не меней 7-8 см, а вольная прастора над печчу складала не меней 30 см.
3. Дзверцы мікрахвалевай печы забяспечаны сістэмай блакавання, якая служыць для адключэння сілкавання пры яе адкрыцці. Не ўнасіце змен у працу схемы блакавання дзверцаў.
4. Не ўключайце мікрахвалеваю печ без прадуктаў, праца печы без прадуктаў можа прывесці да выйсця яе з ладу.
5. Падрыхтоўка прадуктаў з вельмі нізкім утрыманнем вільгаці можа прывесці да іх падгарання ці ўзгарання.

Калі ўзгаранне адбылося:

- Не адкрывайце дзверцы.
 - Выключыце мікрахвалеваю печ і выміце сеткавую вілку з разетка.
6. Пры падрыхтоўцы бекону не кладзіце яго непасрэдна на шклянны паддон, мясцовы перагрэў шкляннага паддона можа прывесці да з'яўлення ў ім расколін.
 7. Не спрабуйце прыгатаваць прадукты ў мікрахвалевай печы да стану поўнай пражарвання.
 8. Не дазваляецца падаграваць вадкасць у пасудзінах з вузкімі горлачкамі.
 9. Не выкарыстоўвайце мікрахвалеваю печ для хатняга кансервавання, паколькі няма ўпэўненасці ў тым, што змесціва слоікаў дасягнула тэмпературы кіпення.
 10. У пазбяганне працяглага бурнага кіпення вадкіх прадуктаў і напояў, а таксама ў пазбяганне атрымання апёкаў рэкамендуецца перамяшванне прадуктаў напачатку і ў сярэдзіне працэдуры гатавання. Для гэтага выключыце нагрэў, пачакайце некаторы час, выміце посуд з прадуктамі, перамяшайце і пастаўце назад ў мікрахвалеваю печ для працягу працэсу падрыхтоўкі.
 11. Рэгулярна чысціце мікрахвалеваю печ. Нерэгулярны догляд за печчу можа прывесці да пагаршэння яе вонкавага выгляду, адмоўна адбіцца на яе працаздольнасці, а таксама прывесці да небяспекі ў далейшай эксплуатацыі.

Правілы, пра якія заўсёды варта памятаць

1. Не перавышайце час падрыхтоўкі прадуктаў у мікрахвалевай печы. Заўсёды

БЕЛАРУСКІ

- сачыце за працэсам падрыхтоўкі пры выкарыстанні посуду з паперы, пластыка і іншых гаручых матэрыялаў.
2. Ніколі не выкарыстоўвайце мікрахвалеваю печ у мэтах захоўвання ў ёй розных прадметаў. Ніколі не захоўвайце ў мікрахвалевай печы прадукты, такія як хлеб, печыва, а таксама папяровыя пакаванні, гаручыя матэрыялы і т.п., паколькі падчас навальніцы мікрахвалевая печ можа ўключыцца самаадвольна.
 3. Металічныя закруткі, заціскі, драцяныя ручкі з папяровых ці пластыкавых пакетаў неабходна выдаліць перад памяшчэннем іх у мікрахвалеваю печ.
 4. Мікрахвалевая печ павінна мець надзейнае зазямленне. Падлучайце мікрахвалеваю печ толькі да разеткі, якая мае надзейнае зазямленне.
 5. Некаторыя з прадуктаў (яйкі ў шкарлупіне, вадкія ці цвёрдыя тлушчы), а таксама герметычна зачыненыя слоікі, зачыненыя шкляныя ёмістасці - выбуханебяспечныя, таму змяшчаць іх у мікрахвалеваю печ забараняецца.
 6. Выкарыстоўвайце дадзеную мікрахвалеваю печ вылучна ў мэтах, для якіх яна прызначана і ў строгай адпаведнасці з выкладзенымі тут указаннямі.
 7. Мікрахвалевая печ прызначана вылучна для падагрэву і падрыхтоўкі ежы і не прызначана для лабараторнага ці прамысловага выкарыстання.
 8. Будзьце вельмі ўважлівыя, калі мікрахвалевая печ выкарыстоўваецца дзецьмі.
 9. Не карыстайцеся мікрахвалевай печчу пры пашкоджанні сеткавага кабеля ці вілкі, калі мікрахвалевая печ працуе не належным чынам з прычыны пашкоджання ці падзення.
 10. Рамонт мікрахвалевай печы павінен ажыццяўляцца кваліфікаванымі адмыслоўцамі аўтарызаванага сэрвіснага цэнтра.
 11. Не зачыняйце вентыляцыйныя адтуліны на корпусе мікрахвалевай печы.
 12. Не захоўвайце і не выкарыстоўвайце мікрахвалеваю печ па-за памяшканнямі.
 13. Не выкарыстоўвайце мікрахвалеваю печ зблізка вады, у непасрэднай блізкасці ад кухоннай ракавіны, у волкіх сутарэнных памяшканнях ці побач з басейнам.
 14. Не апускайце сеткавы кабель і сеткавую вілку ў ваду.
 15. Пазбягайце кантакту сеткавага кабеля і сеткавай вілкі з гарачымі паверхнямі.
 16. Не дапушчайце звісання сеткавага кабеля з краю стала.
 17. Прычыстцы дзверцаў і ўнутраных паверхняў мікрахвалевай печы выкарыстоўвайце мяккія неабразіўныя мыйныя сродкі, нанесеныя на губку ці на мяккую тканіну.
 18. Не дазваляйце дзецям выкарыстоўваць прыбор у якасці цацкі.
 19. Будзьце асабліва ўважлівыя, калі прыбор выкарыстоўваецца дзецьмі ці людзьмі з абмежаванымі магчымасцямі.
 20. Дадзеная прылада не прызначана для выкарыстання дзецьмі і людзьмі з абмежаванымі магчымасцямі, калі толькі ім не дадзены людзьмі, якія адказваюць за іх бяспеку, адпаведныя і зразумелыя ім інструкцыі пра бяспечнае карыстанне прыладай і тых небяспеках, якія могуць узнікаць пры яе няправільным карыстанні.
 21. Будзьце асцярожныя! Вонкавыя паверхні печы, уключаючы дзверцы, награвваюцца падчас эксплуатацыі.
 22. Мясцуйце печ задняй сценкай да сцяны.

ПЕРАСЦЯРОГА

Параза электрычным токам

Дакрананне да элементаў электрычнай схемы мікрахвалевай печы можа прывесці да сур'ёзных траўмаў і паразы электрычным токам. Не разбірайце самастойна мікрахвалевую печ.

Зазямленне мікрахвалевай печы

Мікрахвалевая печ павінна быць надзейна заземлена. У выпадку якога-небудзь замыкання заземленне змяншае рызыку ўдару электратокам, бо адбудзецца адток току па заземляльным провадзе.

У прыборы выкарыстоўваецца сеткавы кабель з заземляльным провадам і сеткавая вілка з кантактамі заземлення. Вілка павінна падлучацца да разеткі, якая мае кантакт заземлення.

ПАПЯРЭДЖАННЕ: выкарыстанне вілкі з кантактамі заземлення, уключанай у разетку без заземлення, можа прывесці да рызыкі ўдару электратокам.

Пракансультуйцеся з кваліфікаваным электрыкам, калі вам не ясныя інструкцыі па заземленні ці існуюць сумневы ў надзейным заземленні мікрахвалевай печы.

- У мэтах прадукінення заблытвання сеткавага кабеля мікрахвалевая печ забяспечана кароткім сеткавым кабелем.
- Пры неабходнасці выкарыстання падаўжальніка выкарыстоўвайце толькі 3-правадны падаўжальнік з кантактамі заземлення на сеткавай вілцы і разетцы.
- Маркіроўка перасеку правадоў сеткавага кабеля мікрахвалевай печы і маркіроўка на кабелі падаўжальніка павінны супадаць.
- Сеткавы кабель падаўжальніка павінен быць пракладзены так, каб ён не звісаў з краёў стала, дзе за яго могуць пацягнуць дзеці, таксама неабходна выключыць магчымасць хадні па кабелі.

Посуд для мікрахвалевай печы

АСЦЯРОЖНА!

- Шчыльна зачыненыя ёмістасці, змешчаныя ў мікрахвалевую печ, могуць быць выбуханебяспечнымі.
- Зачыненыя ёмістасці павінны быць адкрыты, а ў пластыкавых пакетах неабходна зрабіць некалькі адтулін для выйсця пары перад памяшчэннем іх у мікрахвалевую печ.
- Калі ў вас узнікаюць сумневы па выкарыстанні посуду ў мікрахвалевай печы, то правядзіце праверку.

Праверка посуду перад выкарыстаннем у мікрахвалевай печы:

- Усталойце падыспытны посуд (напрыклад, талерку) у працоўную камеру печы, пастаўце на яе шклянкую шклянку з халоднай вадой.
- Уключыце мікрахвалевую печ на максімальную магутнасць і ўсталойце час працы не больш за адну хвіліну.
- Акуратна дакраніцеся да падыспытнага посуду, калі ён нагрэўся, а вада ў шклянцы халодная, то выкарыстоўваць такі посуд для падрыхтоўкі прадуктаў у мікрахвалевай печы нельга.
- Пазбягайце перавышэнні часу выпрабавання больш адной хвіліны.

БЕЛАРУСКІ

Матэрыялы, і посуд прыдатныя для выкарыстання ў мікрахвалевай печы

<p>Алюмініевая фальга</p>	<p>Фальгу можна выкарыстоўваць толькі ў рэжыме працы грылю. Адлегласць паміж фальгой і сценамі мікрахвалевай печы павінна складаць, не меней 2,5 см. Маленькія кавалачкі фальгі можна выкарыстоўваць для прыкрыцця тонкіх кавалачкаў мяса ці птушкі, каб пазбегнуць іх перасмажвання. У мікрахвалевым рэжыме, калі фальга размешчана заблізка да сценак печы, то можа адбыцца іскрэнне, прагаранне экраніруючай рашоткі на дзверцах і выйсце печы з ладу. У гэтым выпадку Вы пазбаўляецеся права правядзення бясплатнага гарантыйнага абслугоўвання і рамонту.</p>
<p>Посуд для смажання</p>	<p>Выконвайце ўказанні вытворцы. Дно посуду для смажання павінна быць на 5 мм таўсцей, чым у шклянога круцельнага паддона. Няправільнае выкарыстанне посуду для смажання можа прывесці да з'яўлення расколін у самім посудзе і ў шкляным паддоне.</p>
<p>Абедзенны посуд</p>	<p>Толькі тая, якая прызначана для выкарыстання ў мікрахвалевай печы. Выконвайце ўказанні вытворцы посуду. Не выкарыстоўвайце посуд з расколінамі ці сколамі.</p>
<p>Шкляныя ёмістасці</p>	<p>Толькі ёмістасці, вырабленыя з гарачатрывалага шкла і прызначаныя для выкарыстання ў мікрахвалевай печы. Пераканаіцеся ў адсутнасці металічных абадкаў. Не выкарыстоўвайце ёмістасці з расколінамі ці сколамі.</p>
<p>Шклопосуд</p>	<p>Толькі посуд, выраблены з гарачатрывалага шкла і прызначаны для выкарыстання ў мікрахвалевай печы. Пераканаіцеся ў адсутнасці металічных абадкаў. Не выкарыстоўвайце посуд з расколінамі ці сколамі.</p>
<p>Працэс прыгатавання ў мікрахвалевай печы з выкарыстаннем адмысловых мяшкоў</p>	<p>Выконвайце ўказанні вытворцы. Не зачыняйце мяшкі, выкарыстоўваючы металічныя закруткі ці перацяжкі. У мяшках неабходна зрабіць адно ці некалькі адтулін для выйсця пары.</p>
<p>Папяровыя талеркі і кубкі</p>	<p>Выкарыстоўвайце толькі для кароткачасовага прыгатавання/разагравання. Не пакідайце мікрахвалевую печ без нагляду падчас прыгатавання/разагравання прадуктаў у такім посудзе.</p>
<p>Папяровыя ручнікі</p>	<p>Можна накрыць прыгатаваныя прадукты для ўтрымання цяпла ў іх і для прадухілення распырсквання тлушчу. Выкарыстоўвайце толькі пры сталым кантролі і толькі для кароткачасовага прыгатавання/разагравання.</p>
<p>Пергаментная папера</p>	<p>Выкарыстоўвайце ў мэтах прадухілення распырсквання тлушчу ці ў якасці абгорткі. Выкарыстоўвайце толькі пры сталым кантролі і толькі для кароткачасовага прыгатавання/разагравання.</p>
<p>Пластык</p>	<p>Толькі тыя вырабы з пластыка, якія маюць адпаведную маркіроўку "Прыдатна для мікрахвалевай печы". Выконвайце ўказанні вытворцы. Некаторыя пластыкавыя ёмістасці могуць размягчацца ў выніку нагрэву змешчаных ў іх прадуктаў. Герметычна зачыненыя пластыкавыя пакеты неабходна пракалоць ці праразаць, як паказана на саміх пакаваннях.</p>

Пластыкавая абгортка	Толькі тыя вырабы з пластыка, якія маюць адпаведную маркіроўку. Можна накрываць прадукты ў мэтах захавання ў іх вільгаці.
Васкавая папера	Выкарыстоўвайце для прадухілення распырсквання тлушчу, а таксама для захавання вільгаці.

Матэрыялы і посуд, не прыдатныя да выкарыстання ў мікрахвалевай печы

Алюмініевыя падносы	Могучь выклікаць іскрэне. Карыстайцеся посудам, адмыслова прызначаным для выкарыстання ў мікрахвалевай печы.
Кардонны кубак з металічнай ручкай	Можа выклікаць іскрэне. Карыстайцеся посудам, адмыслова прызначаным для выкарыстання з мікрахвалевай печчу.
Посуд металічны ці посуд з металічным вобадам	Метал экраніруе энергію мікрахваляў. Металічны вобад можа выклікаць іскрэне.
Металічныя закруткі	Могучь выклікаць іскрэне, а таксама ўзгаранне пакавання падчас прыгатавання/разагравання прадуктаў.
Папяровыя пакеты	Могучь выклікаць узгаранне ў мікрахвалевай печы.
Мыла	Мыла можа расплавіцца і выклікаць забруджванне працоўнай камеры мікрахвалевай печы.
Дрэва	Драўляны посуд можа высахнуць, парэпацца і ўзгарэцца.

Апісанне

1. Замкі з сістэмай блакавання
2. Назіральнае акно
3. Выйсце ЗВЧ-хваль
4. Апора шклянога паддона
5. Ролікавае кольца
6. Шклянны паддон
7. Панэль кіравання
8. Рашотка для грылю. Выкарыстоўваецца толькі ў рэжыме “Грыль”

Панэль кіравання

- 1 - дысплей
- 2 - кнопка “Грыль/Комбі”
- 3 - “Размарозка па вазе/часе”
- 4 - кнопка “Стоп/Адмена”
- 5 - кнопка “Старт/+30 сек/Пацвердзіць”
- 6 - лічбавыя кнопкі
- 7 - кнопка “Меню”
- 8 - кнопка “Гадзіны/Усталёўка”
- 9 - кнопка “Аўтопадогрэв”
- 10 - кнопка “Мікрахвалі”

Зборка мікрахвалевай печы

Выдаліце пакавальны матэрыялы і аксэсуары з працоўнай камеры печы. Агледзьце

БЕЛАРУСКІ

мікрахвалеваю печ на прадмет наяўнасці дэфармацый. Адмысловую ўвагу надайце спраўнасці дзверцаў печы. Пры выяўленні няспраўнасцяў, не ўсталёўвайце і не ўключайце мікрахвалеваю печ.

Ахоўнае пакрыццё

Корпус: калі маецца ахоўная плёнка, то выдаліце яе з паверхні корпуса.

Не выдалайце светла-шэрую слюдзяную пласціну ўсярэдзіне працоўнай камеры, бо яна служыць для абароны магнетрона.

Усталёўка шклянога паддона

1. Усталойце апору шклянога паддона (4) у адтуліну, размешчаную ў дне працоўнай камеры.
2. Усталойце ролікавае кольца (5) на дно працоўнай камеры.
3. Акуратна ўсталойце шклянны паддон (6), сумясціўшы выступы на ім з пазамі апоры. Ніколі не ўсталёўвайце шклянны паддон ніжняй часткай угару.
 - Не перашкаджайце кручэнню шклянога паддона падчас працы печы.
 - Падчас падрыхтоўкі прадуктаў заўсёды выкарыстоўвайце шклянны паддон, ролікавае кольца і апору паддона.
 - Прадукты і посуд для падрыхтоўкі прадуктаў неабходна ўсталёўваць толькі на шклянны паддон.
 - Шклянны паддон можа круціцца па/супраць гадзіннікавай стрэлкі - так і павінна быць.
 - Пры ўзнікненні расколін ці сколаў на шкляным паддоне неадкладна замяніце яго.

Усталёўка

- Перад падлучэннем мікрахвалевай печы пераканаецеся, што працоўная напруга і спажываная магутнасць адпавядаюць параметрам электрычнай сеткі. Падлучайце мікрахвалеваю печ да сеткавай разеткі, якая мае надзейнае заземленне.
- Усталойце печ на роўную, устойлівую паверхню. Аб'ярыце такое месца, якое было б недаступна для маленькіх дзяцей.
- Усталойце печ так, каб ад сцяны да задняй і бакавых сценак печы заставалася адлегласць не меней 7-8 см, а вольная прастора над печчу складала не меней 30 см.
- Не здымайце апорныя ножкі з дна мікрахвалевай печы.
- Не зачыняйце вентыляцыйныя адтуліны на корпусе мікрахвалевай печы.
- Неабходна месцаваць мікрахвалеваю печ удалечыні ад тэлевізійных і радыёпрымачоў у пазбяганне з'яўлення перашкод пры прыёме целе- і радыё-сігналаў.
- ПАПЯРЭДЖАННЕ: забараняецца ўсталёўваць мікрахвалеваю печ на паверхню з падагрэвам (кухонную пліту) і іншыя крыніцы цеплавога выпраменьвання.
- У выпадку выйсця з ладу мікрахвалевай печы па віне ўладальніка, ён пазбаўляецца права бясплатнага гарантыйнага абслугоўвання і рамонту.

ЭКСПЛУАТАЦЫЯ ПЕЧЫ

Гукавы сігнал

Кожны націск на кнопкі панэлі кіравання пацвярджаецца гукавым сігналам.

Усталёўка бягучага часу

1. Націсніце кнопку “Гадзіны/Усталёўка”, на дысплеі адлюструюцца знакі “0:00”, а лічбы гадзіны будуць міргаць.
2. Пры дапамозе кнопак “+” ці “-” усталюйце гадзіны ў інтэрвале ад 0 да 23.
3. Націсніце кнопку “Гадзіны/Усталёўка” для пацверджання, лічбы хвілін будуць міргаць.
4. Пры дапамозе кнопак “+” ці “-” усталюйце хвіліны ў інтэрвале ад 0 да 59.
5. Націсніце кнопку “Гадзіны/Усталёўка” для пацверджання, знакі “:” будуць міргаць.

Нататкі:

1. **Калі гадзіны не ўсталяваны, бягучы час адлюстроўвацца не будзе.**
2. **Калі пры ўсталёўцы бягучага часу Вы націснеце кнопку “Стоп/Адмена” адбудзецца зварот да папярэдняга рэжыму.**

Усталёўка часу пачатку падрыхтоўкі

Прыклад: усталяваць час пачатку падрыхтоўкі ў 12:12.

1. Праверце правільнасць усталёўкі бягучага часу.
2. Усталюйце жаданую праграму прыгатавання прадуктаў, за выключэннем праграмы размарозкі, напрыклад, прыгатаваць прадукты на працягу 10 хвілін пры максімальнай магутнасці.
3. Націсніце адзін раз кнопку “Мікрахвалі”, каб усталяваць максімальную магутнасць.
4. Націсніце кнопку “10’”, каб усталяваць час падрыхтоўкі.
Увага! Не націскайце кнопку “Старт/+30 сек/Пацвердзіць”
5. Націсніце кнопку “Гадзіны/Усталёўка”, на дысплеі адлюструецца бягучы час, а лічбы гадзіны будуць міргаць.
6. Пры дапамозе кнопак “+” ці “-” усталюйце гадзіны ў інтэрвале ад 0 да 23.
7. Націсніце кнопку “Гадзіны/Усталёўка” для пацверджання, лічбы хвілін будуць міргаць.
8. Пры дапамозе кнопак “+” ці “-” усталюйце хвіліны ў інтэрвале ад 0 да 59.
9. Націсніце кнопку “Старт” для пацверджання, знакі “:” будуць міргаць.
10. Падрыхтоўка прадуктаў пачнецца ва ўсталяваны час.

Нататка:

- **Усталяваны Вамі час павінен знаходзіцца ў дыяпазоне 0:00 - 23:59.**
- **Калі пры ўсталёўцы Вы націснеце кнопку “Стоп/Адмена” ці на працягу 1 хвіліны не будзе выраблена ніякіх дзеянняў, адбудзецца аўтаматычны зварот да папярэдняга рэжыму.**
- **Бягучы час павінен усталёўвацца перад усталёўкай праграмы пачатку прыгатавання прадуктаў. Калі праграма прыгатавання прадуктаў не была абрана, а быў ўсталяваны толькі час пачатку падрыхтоўкі, то па дасягненні гэтага часу прагучаць пяць гукавых сігналаў.**
- **Каб пазнаць усталяваны час пачатку падрыхтоўкі прадуктаў націсніце кнопку “Гадзіны/Усталёўка”, час пачатку падрыхтоўкі будзе паказаны на дысплеі на працягу чатырох секунд.**

БЕЛАРУСКІ

Хуткае прыгатаванне

1. У рэжыме бягучага часу націсніце кнопку “Старт/+30 сек/Пацвердзіць”, пачнецца працэс падрыхтоўкі прадуктаў на максімальнай магутнасці (100%) на працягу 30 секунд. Кожны наступны націск гэтай кнопкі павялічвае час падрыхтоўкі на 30 секунд. Максімальна магчымы час падрыхтоўкі - 99 хвілін 99 секунд.

Прыгатаванне прадуктаў у мікрахвалевай печы

Перад пачаткам прыгатавання прадуктаў неабходна ўсталяваць неабходны ўзровень магутнасці, час прыгатавання. Максімальна магчымы час прыгатавання - 99 хвілін 99 секунд.

Колькасць націскаў кнопкі “Мікрахвалі”	Малюнак на дысплеі	Магутнасць печы
1	P100	100%
2	P80	80%
3	P50	50%
4	P30	30%
5	P10	10%

1. Націскам кнопкі “Мікрахвалі” абярыце ўзровень магутнасці, на дысплеі адлюструюцца адпаведныя знакі.
2. Пры дапамозе лічбавых кнопак увядзіце час прыгатавання.
3. Націсніце кнопку “Старт/+30 сек/Пацвердзіць”, пачнецца працэс прыгатавання прадуктаў.

Размарожванне прадуктаў па вазе

1. Націсніце кнопку “Размарозка па вазе/часе”, на дысплеі высвяціцца “dEF1”.
2. Пры дапамозе кнопак “+” ці “-” усталюйце вагу прадукта ў дыяпазоне ад 100 да 2000гр.
3. Націсніце кнопку “Старт/+30 сек/Пацвердзіць”, пачнецца працэс размарожвання прадуктаў па ўсталяванай вазе.

Размарожванне прадуктаў па часе

1. Націсніце кнопку “Размарозка па вазе/часе”, пры гэтым на дысплеі высвяціцца “dEF2”.
2. Пры дапамозе лічбавых кнопак увядзіце час прыгатавання. Максімальна магчымы час прыгатавання - 99 хвілін 99 секунд.
3. Націсніце кнопку “Старт/+30 сек/Пацвердзіць”, пачнецца працэс размарожвання прадуктаў па ўсталяваным часе.

Меню аўтаматычнага прыгатавання прадуктаў

- **A-1** - “гародніна (vegetable)”
- **A-2** - “рыба (fish)”
- **A-3** - “мяса (meat)”
- **A-4** - “макароны (pasta)”
- **A-5** - “бульба (potato)”
- **A-6** - “піца (pizza)”

- А-7 - "суп (soup)"
- А-8 - "каша (porridge)"

Табліца аўтаматычнага прыгатавання прадуктаў

Аўтаматычны рэжым	Вага (г)	Колькасць націсканняў	Выява да дысплеі
гародніна (vegetable) / А-1	150	Адзін раз	150
	350	Двойчы	350
	500	Тройчы	500
рыба (fish) / А-2	150	Адзін раз	150
	250	Двойчы	250
	350	Тройчы	350
	400	Чатыры разы	400
	450	Пяць разоў	450
мяса (meat) / А-3	150	Адзін раз	150
	300	Двойчы	300
	450	Тройчы	450
	600	Чатыры разы	600
макароны (pasta) / А-4	50 (450 г вады)	Адзін раз	50
	100 (800 г вады)	Двойчы	100
	150 (1200 г вады)	Тройчы	150
бульба (potato) / А-5	1 (каля 230 г)	Адзін раз	1
	2 (каля 460 г)	Двойчы	2
	3 (каля 690 г)	Тройчы	3
піца (pizza) / А-6	1 (каля 80 г)	Адзін раз	1
	2 (каля 160 г)	Двойчы	2
	3 (каля 250 г)	Тройчы	3
суп (soup) / А-7	500	Адзін раз	500
	750	Двойчы	750
	1000	Тройчы	1000
каша (porridge) / А-8	550	Адзін раз	550
	1100	Двойчы	1100

Прыклад: Прыгатаваць рыбу вагой 350г:

1. Націсніце два разы кнопку "Меню", на дысплеі адлюструюцца знакі "А-2".
2. Пры дапамозе кнопак "+" ці "-" усталюйце вагу прадукта, на дысплеі адлюструюцца знакі "350".
3. Націсніце кнопку "Старт/+30 сек/Пацвердзіць" для пачатку аўтаматычнага прыгатавання прадуктаў, на дысплеі будзе адлюстроўвацца пакінуты час прыгатавання.

Нататка: Вынік прыгатавання ў рэжыме аўтаматычнага прыгатавання залежыць ад памеру і формы прадукта, а таксама ад месца размяшчэння на шклянным паддоне.

БЕЛАРУСКІ

Рэжым працы грыль

1. Націсніце кнопку “Грыль/Комбі” адзін раз для выбару функцыі грыль, на дысплеі адлюструецца “G-1”.
2. Пры дапамозе лічбавых кнопак увядзіце час прыгатавання. Максімальная магчымы час прыгатавання - 99 хвілін 99 секунд.
3. Націсніце кнопку “Старт/+30 сек/Пацвердзіць”, пачнецца працэс прыгатавання прадуктаў, на дысплеі будзе адлюстроўвацца пакінуты час прыгатавання.

Камбінаваны рэжым прыгатавання прадуктаў

Камбінаванае прыгатаванне спалучае рэжым мікрахвалевага прыгатавання і рэжым працы грылю для дасягнення найлепшага выніку.

“С-1” - 55% часу мікрахвалевае прыгатаванне + 45% грыль, прыгатаванне рыбы, бульбы.

“С-2” - 36% часу мікрахвалевае прыгатаванне + 64% грыль, прыгатаванне амлету, печанай бульбы, птушкі.

1. Націсніце кнопку “Грыль/Комбі” два ці тры разы - на дысплеі адлюструюцца знакі абранага камбінаванага рэжыму : “З-1” ці “З-2”.
2. Пры дапамозе лічбавых кнопак увядзіце час прыгатавання. Максімальная магчымы час прыгатавання - 99 хвілін 99 секунд.
3. Націсніце кнопку “Старт/+30 сек/Пацвердзіць”, пачнецца працэс прыгатавання прадуктаў, на дысплеі будзе адлюстроўвацца пакінуты час прыгатавання.

Рэжым аўтападагрэва

1. У рэжыме бягучага часу націсніце кнопку “Аўтападагрэў”, на дысплеі адлюструюцца знакі “150”.
2. Націскаючы кнопку “ Аўтападагрэў” вы можаце абраць вагу прадукта: 150, 250, 350 ці 400 грам.
3. Націсніце кнопку “Старт/+30 сек/Пацвердзіць”, пачнецца працэс прыгатавання прадуктаў, на дысплеі будзе адлюстроўвацца пакінуты час прыгатавання.

Прыгатаванне прадуктаў у два этапы

Прыклад: прыгатаваць прадукты на працягу 10 хвілін пры максімальнай магутнасці і працягнуць прыгатаванне на працягу 15 хвілін пры 80%-най магутнасці.

1. Націсніце адзін раз кнопку “Мікрахвалі” для выбару максімальнай магутнасці.
2. Націскам кнопкі “10” усталюйце час прыгатавання 10 хвілін.
3. Націсніце два разы кнопку “ Мікрахвалі “, каб усталяваць значэнне магутнасць 80%, на дысплеі адлюструюцца знакі “P80”.
4. Націсніце адзін раз кнопку “10” і пяць разоў кнопку “1”, каб усталяваць час падрыхтоўкі 15 хвілін.
5. Націсніце кнопку “Старт/+30 сек/Пацвердзіць”, пачнецца працэс прыгатавання прадуктаў.

Нататка:

- *Калі ў працэс прыгатавання прадуктаў уключана функцыя размарожвання прадуктаў, то яна павінна быць першай.*

- **Праграма меню аўтаматычнага прыгатавання прадуктаў не можа быць уключана ў праграму двухэтапнага прыгатавання прадуктаў.**

Функцыя блакавання печы ад уключэння дзецьмі

- У рэжыме бягучага часу націсніце і ўтрымлівайце кнопку "Стоп/Адмена" на працягу 3 секунд, прагучыць працяглы гукавы сігнал і на дысплеі загарыцца піктаграма [: :].
- Для адключэння функцыі блакавання націсніце і ўтрымлівайце кнопку "Стоп/Адмена" на працягу трох секунд, прагучыць працяглы гукавы сігнал і піктаграма [: :] загасне.

Нататкі:

- 1. Падчас працэсу прыгатавання прадуктаў, вы можаце паглядзець усталёваную магутнасць, націснуўшы кнопку "Мікрахвалі" - усталёваная магутнасць будзе адлюстроўвацца на дысплеі на працягу 2-3 секунд.**
- 2. Падчас працэсу прыгатавання прадуктаў націсніце кнопку "Гадзіны/Усталёўка" для адлюстравання на дысплеі бягучага часу на працягу 2-3 секунд.**
- 3. Калі падчас падрыхтоўкі Вы адкрывалі дзверцы печы, то пасля іх зачынення неабходна націснуць кнопку "Старт/+30 сек/Пацвердзіць" для працягу прыгатавання.**
- 4. Па канчатку працэсу прыгатавання Вы пачуеце 5 гукавых сігналаў.**

Чыстка і догляд

- Перад чысткай выключыце печ і адлучыце сеткавы кабель ад разеткі.
- Не дапушчайце траплення вільгаці на панэль кіравання. Чысціце яе мяккай, злёгка вільготнай сурвэткай.
- Утрымоўваеце працоўную камеру печы ў чысціні. Калі на сценках печы засталіся кавалачкі прадуктаў ці падцёкі вадкасці, выдаліце іх вільготнай сурвэткай.
- Пры моцна забруджанай працоўнай камеры можна выкарыстоўваць мяккі мыйны сродак.
- Не карытайцеся абразіўнымі мыйнымі сродкамі, драцянымі шчоткамі для чысткі печы звонку і ўсярэдзіне. Сачыце за тым, каб вада ці мыйны сродак не патрапілі ў адтуліны, прызначаныя для адводу паветра і пары, якія знаходзяцца на вачку печы.
- Забараняецца выкарыстоўваць мыйныя сродкі на аснове аміяку.
- Вонкавая паверхня трэба чысціць вільготнай сурвэткай.
- Дзверцы печы заўсёды павінны быць чыстымі. Не дапушчайце збору дробак ежы паміж дзверцамі і асабовай панэллю печы, гэта перашкаджае звычайнаму зачыненню дзверцаў.
- Рэгулярна чысціце ад пылу і бруду вентыляцыйныя адтуліны на корпусе печы, праз якія паступае паветра для астуджэння печы.
- Рэгулярна здымайце і чысціце шклянны паддон і яго апору; працірайце дно працоўнай камеры печы.
- Шклянны паддон і прывад яго кручэння мыйце ў вадзе з нейтральным мыльным

БЕЛАРУСКІ

растворам. Для мыцця гэтых дэталей можна скарыстацца посудамыйнай машынай.

- Не апускайце нагрэты шкляны паддон у халодную ваду: з-за рэзкага перападу тэмператур шкляны паддон можа лопнуць.

Ухіленне няспраўнасцяў

Няспраўнасць	Магчымы чыннік	Спосаб ухілення
Печ не ўключаецца	Вілка сеткавага кабеля не досыць шчыльна ўстаўлена ў разетку.	Выміце вілку з разеткі. Па сканчэнні 10 секунд устаўце вілку назад ў разетку. Для праверкі паспрабуйце
	Праблема з сеткавай разеткай	ўключыць у тую ж разетку іншы электрапрыбор
Адсутнічае нагрэў	Няшчыльна зачынены дзверцы	Шчыльна зачыніце дзверцы
Падчас працы печы кручэльны шкляны паднос выдае староннія шумы	Забруджана ролікавае кольца ці ніжняя частка працоўнай камеры	Зніміце шкляны паднос і ролікавае кольца. Прамыйце ролікавае кольца і дно працоўнай камеры.

Звычайная праца

Мікрахвалевае печ стварае перашкоды прыёму целе- і радыёсігналаў.	Падчас працы мікрахвалевай печы могуць узнікаць перашкоды пры прыёме целе- і радыёсігналаў. Аналагічныя перашкоды ствараюцца пры працы невялікіх электрапрыбораў, такіх як міксер, пыласос і электрычны фен. Гэта звычайная з'ява.
Нізкая яркасць падсвятлення.	Калі ўсталяваны нізкі ўзровень магутнасці мікрахвалевага выпраменьвання, то ўзровень яркасці падсвятлення працоўнай камеры можа быць нізкім. Гэта звычайная з'ява.
Збіранне пары на дзверцах, выйсце гарачага паветра з вентыляцыйных адтулін.	Падчас прыгатавання, пара можа выходзіць з гатуемых прадуктаў. Большая колькасць пары выходзіць праз вентыляцыйныя адтуліны, але некаторая частка яго можа абсоўвацца на ўнутраным боку дзверцаў. Гэта звычайная з'ява.

Тэхнічныя параметры і характарыстыкі

Ўмовы эксплуатацыі:

Тэмпература паветра	+10°C - +35°C
Адносная вільготнасць паветра	35-80%
Атмасферны ціск	86-106 кПа (650 – 800 мм.рт.ст)

Асноўныя параметры

Напруга сілкавання:	230 В ± 10% ~ 50 Гц
---------------------	---------------------

БЕЛАРУСКІ

Намінальная мікрахвалевае магутнасць	800 Вт
Намінальная спажываная магутнасць у рэжыме мікрахваляў	1300 Вт
Намінальная спажываная магутнасць у рэжыме грылю	1000 Вт
Працоўная частата	2450 ± 49 МГц
Аб'ём камеры	23 л
Дыяметр шкляннага паддона	270 мм
Габарытныя памеры, не больш за	450 x 410 x 295 мм
Маса нета, не больш за	14,0 кг
Ўтрыманне каштоўных матэрыялаў:	
Золата	0 г
Срэбра	1,06794 г

Камплектнасць

Печ	1 шт.
Шклянны паддон	1 шт.
Ролікавае кольца	1 шт.
Рашотка для грылю	1 шт.
Інструкцыя па эксплуатацыі	1 шт.
Гарантыйны талон	1 шт.
Кніга рэцэптаў для мікрахвалевай печы	1 шт.
Індывідуальная тара	1 шт.

Вытворца пакідае за сабой права змяняць характарыстыкі прыбора без папярэдняга паведамлення.

Тэрмін службы прыбора - 5 гадоў

MIKROTO'LQINLI PECH

Mikroto'lqinli pechdan foydalanishdan avval mazkur Qo'llanma bilan e'tibor berib tanishib chiqing. Qo'llanmaning barcha ko'rsatmalariga amal qilgan holda mikroto'lqinli pech Sizga ko'p yillar davomida benuqson xizmat qiladi.

Mazkur Qo'llanmani olinishi oson bo'lgan joyda saqlang.

MIKROTO'LQINLI NURLANISHNING ZARARLI TA'SIRI XAVFIGA TUSHIB QOLMASLIK UCHUN AMAL QILISH LOZIM BO'LGAN EHTIYOt CHORALARI

1. Mikroto'lqinli pechdan eshikchasi ochiq bo'lganda foydalanish taqiqlanadi, chunki bu mikroto'lqinli nurlanishning zararli ta'sir etishining xavfiga olib keladi. Pech eshikchasining ichki zulfinlarini va himoya bloklashlarining elektr zanjirlariga o'zgartirishlar kiritmaslik juda muhim.
2. Pechning korpusi va uning eshikchasi orasida biror-bir begona buyumlarni qo'ymang, pech eshikchasining ichki yuzasidan yoki ekranlashtiruvchi panjarada yuvish vositasining qoldiqlarini yoki gardlar yig'ilib qolishiga yo'l qo'ymang.
3. Shikastlangan yoki nosoz bo'lgan pechdan foydalanmang, ayniqsa eshikchasi tegishli ravishda zich yopiladigan bo'lishi va quyidagilar shikastlangan bo'lmasligi juda muhim:
 - eshikchasi (qiyshaygan)
 - sharnirlari va zulfinlari (singan yoki bo'shatilgan)
 - pech eshikchasining ichki tomonidan ekranlovchi panjara
4. Pech eshikchasining himoya bloklashlarining elektr zanjirlariga o'zgartirishlar kiritmang.
5. Pechni sozlash yoki ta'mirlash faqat ro'yxatga olingan servis markazining mutaxassislari tomonidan amalga oshirilishi lozim.

XAVFSIZLIK CHORALARI YuZASIDAN MUHIM KO'RSATMALAR

OGOHLANTIRISH: Agar pech eshikchasidagi ekranlashtiruvchi panjara shikastlangan bo'lsa, mikroto'lqinli pechdan foydalanish taqiqlanadi.

OGOHLANTIRISH: Agar ta'mirlash paytida mikroto'lqinli nurlanishdan himoya qilishni ta'minlaydigan metall g'ilofni yechish kerak bo'lsa, mikroto'lqinli pechni ta'mirlash har qanday ta'mirlashni bajaruvchi shaxs uchun xavfli bo'ladi. Pechni o'zining mustaqil ta'mirlamang.

OGOHLANTIRISH: Germetik yoki vakuumli o'ramdagi mahsulotlarni isitish yoki pishirishdan avval uni ochib qo'yishni unutmang. Aks holda o'ramning ichida hattao mahsulot avval tayyorlangan bo'lsa ham, o'ramni yirtib yuborishi mumkin bo'lgan bosim paydo bo'ladi.

- Mikroto'lqinli pechlar uchun mo'ljallangan idish-ovoqlardan foydalaning. Pechning ichiga metall idishlarni qo'ymang, chunki shu idish tomonidan aks ettirilgan SVCh – to'lqinlari uchqunli razryadlarga va buyumning yonib ketishiga olib kelishi mumkin.
- Mahsulotlarning o'ta isib ketishi va yonib ketishining oldini olish uchun, agar pechning ichida bir martalik plastik, qog'oz va boshqa shu turdagi mahsulotlar solingan bo'lsa yoki pechga kam mahsulotlar solingan bo'lsa, pechning ishlashini doimo kuzatib turing.
- Agar Siz birorta suyuqlikni (suv, qahva, sut va hokazo) isitayotgan bo'lsangiz, u holda u birdaniga qaynab ketishi va siz idishni pechdan olayotgan paytingizda qo'lingizga to'kilib ketishi mumkinligini unutmang. Bunday bo'lmasligi uchun idishning ichiga issiqlikka chidamli plastik qoshiqni yoki shisha aralashtirgichni solib qo'ying va idishni olishdan avval suyuqlikni aralashiring.

- Bolalarning ovqati bo'lgan butilkalar va bankalarni pechnig ichiga qopqoqlari va so'rg'ichlari bo'lmagan holda qo'yish kerak. Ularnig ichidagini vaqt-vaqti bilan aralashtirish yoki chayqatish kerak. Bolani ovqatlantirishdan avval kuyib qolmasligi uchun idish ichidagining haroratini tekshirish lozim.

Muhim ma'lumot

- Ovqatni bolaga berishdan avval ALBATTA uning o'ta issiq emasligini tekshiring. issiqligi butun hajmiga bir tekisda tarqalishi uchun banka yoki butilka ichidagini chayqatishni tavsiya etamiz.
- MIKROTO'LQINLI rejimda xom tuxumni pishirish yoki po'sti archilmagan pishgan tuxumni isitish mumkin emas, chunki ular ichki bosimi ortib ketishi tufayli portlab ketadi.

XAVFSIZLIK CHORALARI

1. Pechni tekis, barqaror yuzaga o'rnatang. Pech uchun kichik bolalar yeta olmaydigan joyni tanlang.
2. Pechni shunday o'rnatish kerakki, devordan pechnig orqa va yon devorlarigacha kamida 7-8 sm masofa qolishi, pechning ustidagi bo'sh joy esa kamida 30 sm bo'lishi lozim.
3. Mikroto'lqinli pechning eshikchasi uning ochlishi paytida elektr ta'minotni o'chirish uchun xizmat qiladigan bloklash tizimiga ega. Pech eshikchasini bloklash sxemasining ishlashiga o'zgartirishlar kiritmang.
4. Mikroto'lqinli pechning ichiga mahsulotlar solinmagan paytida uni yoqmang, pechning ichidagi mahsulotlarsiz ishlashi, uningishdan chiqishiga olib kelishi mumkin.
5. Ichida o'ta kam namlik miqdori bo'lgan mahsulotlarni tayyorlash ularning kuyishi yoki yonib ketishiga olib kelishi mumkin.

Agar mahsulotlar yonib ketishi sodir bo'lgan holatlarda:

- Eshikchani ochmang.
 - Mikroto'lqinli pechni o'chiring va tarmoq vilkasini rozetkadan chiqarib oling.
6. Bekonni tayyorlash paytida uni bevosita shisha taglik ustiga qo'ymang, chunki shisha taglikning bir joyda qizib ketishi uning darz ketishiga olib kelishi mumkin.
 7. Mikroto'lqinli pechning ichida mahsulotlarni qattiq qovurilgan holatigacha tayyorlashga urinmang.
 8. Mahsulotlarni og'zi tor idishlar ichida isitish taqiqlanadi.
 9. Mikroto'lqinli pechdan uydagi konservalarni ayyorlash uchun foydalanmang, chunki bankalarning ichidagi mahsulotlar qaynash haroratiga yetganligiga ishonch bo'lmaydi.
 10. Suyuq mahsulotlar va ichimliklarning uzoq vaqt qattiq qaynashiga yo'l qo'ymaslik uchun, shuningdek kuyib qolmaslik uchun ovqat tayyorlash amalining boshida va o'rtasida mahsulotlarni aralashtirish tavsiya etiladi. Buning uchun isitishni o'chiring, bir qancha vaqt kutib turing, mahsulotlar solingan idishni olib, aralashtiring va ovqat tayyorlash jarayonini davom ettirish uchun yana mikroto'lqinli pechning ichiga qo'ying.
 11. Mikroto'lqinli pechni muntazam tozalab turing. Pechni muntazam parvarish qilmaslik uning tashqi ko'rinishi yomonlashuviga olib kelishi, uning ishlash qobiliyatiga salbiy ta'sir etishi va keyingi ishlatilishi xavfli bo'lishiga olib kelishi mumkin.

Doimo eslab turish kerak bo'lgan qoidalar

1. Mahsulotlarni mikroto'lqinli pechning ichida tayyorlash vaqtdan o'tkazib yubormang.

- Qog'ozdan, plastikdan va boshqa yonuvchan materiallardan tayyorlangan idishlardan foydalanganda ovqat tayyorlash jarayonini doimo kuzatib turing.
2. Hech qachon mikroto'liqinli pechdan unda turli buyumlarni saqlash uchun foydalanmang. Hech qachon mikroto'liqinli pechda non, pechen'e kak oziq-ovqatlarni, shuningdek qog'oz o'ramlari, yonuvchan materiallar kabilarni va hokazo narsalarni saqlamang, chunki momaqaldiroq paytida mikroto'liqinli pech o'idan o'zi yoqilishi mumkin.
 3. Mahsulotlarni mikroto'liqinli pechga solishdan avval metall qisqichlarni, qisimlarni, qog'oz yoki plastik paketlardan simli dastalarni olib tashlash kerak.
 4. Mikroto'liqinli pech yerga ishonchli tutashtirilgan bo'lishi kerak. Mikroto'liqinli pechni faqat yerga ishonchli tutashtirilgan rozetkaga ulanishi mumkin.
 5. Ba'zi oziq-ovqat mahsulotlari (po'stlog'i ichidagi tuxumlar, suyuq yoki qattiq yog'lar), shuningdek germetik yopilgan bankalar, yopiq shisha idishlar – portlashdan xavfli, shuning uchun ularni mikroto'liqinli pechning ichiga qo'yish taqiqlanadi.
 6. Ushbu mikroto'liqinli pechdan faqatgina uning mo'ljallangan maqsadlari uchun va bu yerda bayon etilgan yo'l-yo'riqlarga qat'iy muvofiq tarzda foydalaning.
 7. Mikroto'liqinli pech faqatgina oziq-ovqatni tayyorlash va isitish uchun mo'ljallangan hamda laboratoriyada yoki sanoatda foydalanish uchun mo'ljallanmagan.
 8. Agar mikroto'liqinli pech bolalar tomonidan ishlatiladigan bo'lsa, nihoyatda e'tiborli bo'ling.
 9. Tarmoq simi yoki tarmoq vilkasi buzilgan holda, agar mikroto'liqinli pech shikastlanganligi yoki tushib ketganligi tufayli tegishli ravishda ishlamayotgan taqdirda mikroto'liqinli pechdan foydalanmang.
 10. Mikroto'liqinli pechni ta'mirlashro'yxatga olingan servis markazining mutaxassislari tomonidan amalga oshirilishi lozim.
 11. Mikroto'liqinli pechning korpusidagi shamollatish tuynuklarini yopib qo'ymang.
 12. Mikroto'liqinli pechni xonadan tashqarida saqlamang va undan foydalanmang.
 13. Mikroto'liqinli pechdan suvning yonida, oshxona chig'anoq'iga bevosita yaqin joyda, zax yerto'la xonalarida yoki hovuzlarning yonida foydalanmang.
 14. Tarmoq simi va tarmoq vilkasini suvga botirmang.
 15. Tarmoq simi va tarmoq vilkasining issiq yuzalarga tegib ketishiga yo'l qo'ymang.
 16. Tarmoq vilkasining stol chetidan osilib ketishga yo'l qo'ymang.
 17. Mikroto'liqinli pechning eshikchasini va ichki yuzalarini tozalash paytida gubkaga yoki yumshoq matoga surtilgan abraziv bo'lmagan yumshoq yuvish vositalaridan foydalanish lozim.
 18. Bolalarga buyumdan o'yinchoq sifatida foydalanishga ruxsat bermang.
 19. Agar buyumdan bolalar yoki imkoniyatlari cheklangan kishilar foydalanganda ayniqsa e'tibor bering.
 20. Ushbu buyum bolalar va imkoniyati cheklangan kishilar tomonidan foydalanish uchun mo'ljallanmagan, faqat agar ularga ularning xavfsizligi uchun javob beradigan shaxs tomonidan moslamadan xavfsiz foydalanish to'g'risida hamda undan noto'g'ri foydalanishda yuzaga klishi mumkin bo'lgan xavflar to'g'risida ular uchun tushunarli, tegishli yo'riqlar berilgan bo'lmasa.
 21. Ehtiyot bo'ling! Pechning tashqi devorlari, shu jumladan uning eshikchasi foydalanish paytida qiziydi.
 22. Pechni devorga orqa tomonini qaratib joylashtiring.

OGOHLANTIRISH**Elektr tokining zarbasi bilan shikastlanish**

Mikroto'qinli pechning elektr sxemasining elementlariga tegish jiddiy shikastlanishlarga va elektr tokining zarbasi tufayli shikastlanishga olib kelishi mumkin. Mikroto'qinli pechni mustaqil holda qismlarga ajratmang.

Mikroto'qinli pechni yerga tutashtirish

Mikroto'qinli pech yerga ishonchli tutashtirilgan bo'lishi lozim. Biror-bir qisqatutashuv bo'lganda yerga tushatirilganligi elektr tokining zarbasi xavfni kamaytiradi, chunki yerga tutashtiruvchi sim orqali tok yerga ketadi.

Buyumda yerga tutashtiruvchi simi bo'lgan tarmoq kabeli va yerga tutashuv kontakti bo'lgan tarmoq vilkasi ishlatiladi. Tarmoq vilkasi yerga tutashuv kontakti bo'lgan rozetkaga ulanishi lozim.

OGOHLANTIRISH: yerga tutashuv kontakti bo'lmagan rozetkaga ulangan, yerga tutashuv kontakti bo'lgan tarmoq vilkasidan foydalanish elektr toki zarbasining xavfiga olib kelishi mumkin.

Agar sizga yerga tutashtirish yuzasidan yo'riqnomalar tushunarli bo'lmasa yoki mikroto'qinli pechni yerga ishonchli tutashtirishda gumonlaringiz bo'lsa malakali elektrik mutaxassis bilan maslahatlashing.

- Tarmoqli kabelning o'ralib qolishining oldini olish maqsadida mikroto'qinli pech qisqa tarmoq kabeli bilan jihozlangan.
- Uzaytirgichdan foydalanish zarur bo'lganda faqat yerga tutashuv kontakti bo'lgan tarmoq vilkasi va rozetkasi bo'lgan uch simli uzaytirgichdan foydalaning.
- Mikroto'qinli pechning tarmoq kabelidagi simlarning tamg'alanishi va uzaytirgichning simidagi tamg'alanish mos kelishi lozim.
- Uzaytirgichning tarmoq kabeli u stolning chetidan osilib tushmaydigan holda, undan bolalar tortishi mumkin bo'lmagan joyda o'tkazilishi lozim, shuningdek kabelning ustidan yurish imkoniyatini istisno etish lozim.

Mikroto'qinli pech uchun idishlar**EHTIYOT BO'LING!**

- Mikroto'qinli pechgajoylashtirilgan zich yopilgan idishlar portlashdan xavfli bo'lishi mumkin.
- Yopilgan idishlar ochilgan bo'lishi lozim, plastik paketlarda esa ularni mikroto'qinli pechga solishdan avval bug'ning ichqishi uchun bir nechta teshik qilish kerak.
- Agar sizda idishlarni mikroto'qinli pechda foydalanish yuzasidan shubhalar yuzaga keladigan bo'lsa, uni tekshirishdan o'tkazing.
Mikroto'qinli pechda foydalanishdan avval idishlarni tekshirish
- Tekshiriladigan idishni (masalan, tarelkani) pechning ish kamerasiga o'rnatib, ustiga sovuq suvli shisha stakanni qo'ying.
- Mikroto'qinli pechni maksimal quvvatiga yoqing va ishlash vaqtini ko'pi bilan 30 soniya qilib belgilang.
- Tekshirilayotgan idishga ehtiyot bo'lib tegib ko'ring, agar u isigan bo'lsa, stakandagi suv esa sovuq bo'lsa, bunday idishdan mikroto'qinli pechda mahsulotlarni tayyorlash uchun foydalanish mumkin emas.
- Tekshirish vaqtining 1 minutdan oshib ketishiga yo'l qo'ymang.

Mikroto'liqlik pechda foydalanish uchun yaroqli materiallar va idishlar

Alyuminiy zarqog'ozi	Zarqog'ozdan faqat gril ishlash rejimida foydalanish mumkin. Zarqog'oz va mikroto'liqlik pechning devorlari o'rtasidagi masofa kamida 2,5 sm ni tashkil etishi lozim. Zarqog'ozning kichik bo'laklaridan go'sht yoki parranda go'shtining yupqa bo'laklarini o'ta qovurilib ketishdan asrash maqsadida bекitish uchun foydalanish mumkin. Mikroto'liqlik pechda - agar zarqog'oz pechning devorlariga o'ta yaqin joylashgan bo'lsa, uchqunlab ketish, eshikdagi ekran beruvchi panjaraning yonib ketishi va pechning ishdan chiqishi kabilar yuzaga kelishi mumkin. Bu holda Siz bepul kafolatli xizmat ko'rsatish va ta'mirlash o'tkazilishi huquqidan mahrum bo'lasiz.
Qovurish uchun idishlar	Ishlab chiqaruvchining ko'rsatmalariga amal qiling. Qovurish uchun idishning tubi aylanadigan shisha taglikka qaraganda 5 mm ga qalinroq bo'lishi kerak. Qovurish uchun idishning noto'g'ri ishlatilishi ham idishning o'zida, ham shisha taglikka darzlar paydo bo'lishiga olib kelishi mumkin.
Ovqatlanish uchun idishlar	Faqat mikroto'liqlik pechda foydalanish uchun mo'ljallangan idishlar. Idishlarni ishlab chiqaruvchining ko'rsatmalariga amal qiling. Darz ketgan yoki chetlari uchgan idishlardan foydalanmang.
Shisha sig'imlar	Faqat issiqqa chidamli shishadan tayyorlangan va mikroto'liqlik pechda foydalanish uchun mo'ljallangan sig'imlar. Ularda metall halqalar yo'qligiga ishonch hosil qiling. Darz ketgan yoki chetlari uchgan idishlardan foydalanmang.
Shisha idishlar	Faqat issiqqa chidamli shishadan tayyorlangan va mikroto'liqlik pechda foydalanish uchun mo'ljallangan idishlar. Ularda metall halqalar yo'qligiga ishonch hosil qiling. Darz ketgan yoki chetlari uchgan idishlardan foydalanmang.
Mikroto'liqlik pechda maxsus qopchalardan foydalanib ovqat tayyorlash jarayoni	Ishlab chiqaruvchining ko'rsatmalariga amal qiling. Metall simlardan yoki tortish tizimchalaridan foydalanib, qopchalarni yopmang. Qopchalarda bug' chiqishi uchun bir yoki bir nechta tuynuklarni ochish kerak.
Qog'oz tarelkalar va piyolalar	Faqat qisqa muddatli tayyorlash/isitish uchun foydalaning. Bunday idishda oziq-ovqat mahsulotlarni tayyorlash/isitish paytida mikroto'liqlik pechni qarovsiz qoldirmang.
Qog'oz sochiqlar	Tayyorlanadigan mahsulotlarni ularning ichida issiqlikni ushlab qolish uchun va yog'ning sachrab ketishining oldini olish uchun yopib qo'yish mumkin. Ulardan faqat doimiy nazorat qilib turganda va faqat qisqa muddatli tayyorlash/isitish uchun foydalaning.
Pergament qog'ozi	Yog'ning sachrab ketishining oldini olish maqsadida yoki o'ram sifatida foydalaning. Ulardan faqat doimiy nazorat qilib turganda va faqat qisqa muddatli tayyorlash/isitish uchun foydalaning.
Plastik	Faqat tegishli - «Mikroto'liqlik pechar uchun yaroqli» degan tamg'alari bo'lgan plastik buyumlar. Ishlab chiqaruvchining ko'rsatmalariga amal qiling. Ba'zi plastik sig'imlar ichidagi oziq-ovqat mahsulotlari isishi natijasida yumshab qolishi mumkin. Germetik yopilgan plastik paketlarni o'ramlarning o'zida ko'rsatilgani kabi teshish yoki kesib qo'yish kerak bo'ladi.
Plastik qoplamalar	Faqat tegishli tamg'alari bo'lgan plastik buyumlar. Tayyorlanayotgan oziq-ovqat mahsulotlarini ularida namlik saqlanib qolishi maqsadida yopib qo'yish mumkin.

Mumlangan qog'oz	Yog'ning sachrab ketishining oldini olish uchun, shuningdek namlikni saqlab qolish uchun foydalaning.
-------------------------	---

Mikroto'liqlikda foydalanish uchun yaroqsiz bo'lgan materiallar va idishlar

Alyuminiyli patnislar	Uchqunlab ketishiga olib kelishi mumkin. Mikroto'liqlikda foydalanish uchun maxsus mo'ljallangan idishlardan foydalaning.
Metall dastali karton piyola	Uchqunlab ketishiga olib kelishi mumkin. Mikroto'liqlikda foydalanish uchun maxsus mo'ljallangan idishlardan foydalaning.
Metall idishlar yoki metall halqali idishlar	Metall mikroto'liqlarning energiyasini ekranlashtiradi. Metall halqa uchqunlab ketishiga olib kelishi mumkin.
Metall simlar	Oziq-ovqat mahsulotlarini tayyorlash/isitish paytida uchqunlab ketishiga, shuningdek o'ramning yonib ketishiga olib kelishi mumkin.
Qog'oz paketlar	Mikroto'liqlikda yonib ketishiga olib kelishi mumkin.
Sovun	Sovun erib ketishi va mikroto'liqlikda ish kamerasining ifloslanishiga olib kelishi mumkin.
Yog'och	Yog'och idishlar qurib ketishi, darz ketishi va yonib ketishi mumkin.

Ta'rifi

1. Bloklash tizimi bo'lgan qulflar
2. Ko'rish oynasi
3. SVCh-to'liqlarning chiqishi
4. Shisha taglikning tayanchi
5. Rolikli halqa
6. Shisha taglik
7. Boshqarish paneli Grilning isitish elementi
8. Grilning panjarasi. Faqat «Gril» rejimida ishlatiladi.

BOSHQARISH PANELI

- 1 – displey
- 2 – «Gril/Kombi» tugmasi
- 3 – «Vazniga/vaqtiga ko'ra eritish»
- 4 – «Stop/Bekor qilish» tugmasi
- 5 – «Start/+30 sek/Tasdiqlash» tugmasi
- 6 – raqamli tugmalar
- 7 – «Menyu» tugmasi
- 8 – «Soat/O'rnatish» tugmasi
- 9 – «Auto reheat» tugmasi
- 10 – «Mikroto'liqlar» tugmasi

Mikroto'liqlikda pechni yig'ish

Pechni ish kamerasidan o'ram materiallarini va aksessuarlarni olib tashlang. Mikroto'liqlikda pechni deformatsiyalar mavjudligi jihatidan ko'rib chiqing. Pech eshigining soz ekanligiga alohida e'tibor bering. Nosozlikni aniqlasangiz, mikroto'liqlikda pechni o'rnatmang va yoqmag.

Himoya qoplami

Korpus: agar korpusda himoya qoplami bo'lsa, uni olib tashlang.

Ish kamerasiinning ichidagi och kul rang slyuda plastinasini olib tashlamang, u magnetronni himoya qilish uchun xizmat qiladi.

Shisha taglikni o'rnatish

1. Shisha taglikning tayanchini (4) ish kamerasiinning tubida bo'lgan teshikka o'rnatang.
2. Shundan keyin rolikli halqani (5) ish kamerasiinning tubida o'rnatang.
3. Shisha taglikni (6) rolikli halqaga to'g'rilab puxta o'rnatang. Hech qachon shisha taglikni pastki qismni tepaga qilib o'rnatmang.
 - Shisha taglikning pech ishlagan vaqtida aylanishiga to'sqinlik qilmang.
 - Oziq-ovqat mahsulotlarining tayyorlash vaqtida doimo shisha taglik, taglikning tayanchi bo'lgan rolikli halqadan foydalaning.
 - Oziq-ovqat mahsulotlarini tayyorlash uchun idishni va mahsulotlarni doimo faqat shisha taglikka o'rnatish kerak.
 - Shisha taglik soat mili yo'nalishida/unga qarshi aylanishi mumkin – bu normal holatdir. Shisha taglikda darzlar yoki siniqlar paydo bo'lgan holda uni darhol almashtiring.

O'rnatish

- Mikroto'lqinli pechni ulashdan avval uning ish kuchlanishi va iste'mol quvvati elektr tarmoqning ko'rsatkichlariga mos kelishiga ishonch hosil qiling. Mikroto'lqinli pechni ishonchli yerga tutashuvi bo'lgan tarmoq rozetkasiga ulang.
- Pechni tekis, barqaror yuzaga o'rnatang. Kichik yoshli bolalar yeta olmaydigan joyni tanlang.
- Pechni shunday o'rnatish kerakki, devordan pechning orqa va yon devorlarigacha kamida 7-8 sm masofa qolishi kerak, pechning ustidagi bo'sh joy esa kamida 30 sm ni tashkil qilishi kerak.
- Mikroto'lqinli pechning tubidan tayanch oyoqchalarini olib tashlamang.
- Mikroto'lqinli pechning korpusidagi shamollatish tuynuklarini yopmang.
- Mikroto'lqinli pechni tele- va radiosignallarni qabul qilishda shovqinlar paydo bo'lishining oldini olish uchun televizion va radiopriyomniklardan uzoqda joylashtirish kerak

OGOHLANTIRISH:

mikroto'lqinli pechni tagi isitiladigan yuzaga (oshxona plitasiga) va issiqlik nurlanishining boshqa manbalariga o'rnatish taqiqlanadi.

Agar mikroto'lqinli pech egasining aybi bilan ishdan chiqqan bo'lsa, u bepul kafolatli xizmat ko'rsatish va ta'mirlash huquqidan mahrum bo'ladi.

PEChDAN FOYDALANISH

Ovozli signal

Boshqaruv panelining tugmalariga har gal bosganda Siz ovozli signalni eshitasiz.

Joriy vaqtni belgilash

1. «Soat/O'rnatish» tugmasini bosang, displeyda «0:00» belgilari aks ettiriladi, soat raqamlari esa yonib-o'chib turadi.
2. «+» yoki «-» tugmalarining yordamida soatlarni 0 dan 23 gacha oraliqda belgilang.

3. Tasdiqlash uchun «Soat/O'rnatish» tugmasini bosib, minut raqamlari esa yonib-o'chib turadi.
4. «+» yoki «-» tugmalarining yordamida minutlarni 0 dan 59 gacha oraliqda belgilang.
5. Tasdiqlash uchun «Soat/O'rnatish» tugmasini bosib, «:» belgilari esa yonib-o'chib turadi.

Eslatmalar:

1. Agar soat belgilanmagan bo'lsa, joriy vaqt aks ettirilmaydi.
2. Agar joriy vaqtni belgilash paytida Siz «Stop/Bekor qilish» tugmasini bosgan taqdirda avvalgi rejimga qaytish amalga oshiriladi.

Ovqatni tayyorlashni boshlash vaqtini belgilash

Misol: Ovqatni tayyorlashni boshlash vaqtini 12:12 deb belgilash.

1. Joriy vaqt to'g'ri belgilanganligini tekshiring.
2. Oziq-ovqatlarni tayyorlashning o'zingiz istagan dasturini belgilang, eritish dasturi bundan istisno, masalan, mahsulotlarni 10 minut davomida maksimal quvvatda tayyorlash.
3. Maksimal quvvatini belgilash uchun «Mikroto'lqinlar» tugmasini bosib.
4. Ovqatni tayyorlashni vaqtini belgilash uchun «10'» tugmasini bosib.
Diqqat! «Start/+30 sek/Tasdiqlash» tugmasini bosmang.
5. «Soat/O'rnatish» tugmasini bosib, displeyda joriy vaqt aks ettiriladi, soat raqamlari esa yonib-o'chib turadi.
6. «+» yoki «-» tugmalarining yordamida soatlarni 0 dan 23 gacha oraliqda belgilang.
7. Tasdiqlash uchun «Soat/O'rnatish» tugmasini bosib, minut raqamlari esa yonib-o'chib turadi.
8. «+» yoki «-» tugmalarining yordamida minutlarni 0 dan 59 gacha oraliqda belgilang.
9. Tasdiqlash uchun «Start» tugmasini bosib, «:» belgilari esa yonib-o'chib turadi.
10. Ovqatni tayyorlash belgilangan vaqtida boshlanadi.

Eslatma:

- Siz tomondan belgilangan vaqt 0:00 – 23:59 oralig'ida bo'lishi lozim.
- Agar vaqtni belgilash paytida Siz «Stop/Bekor qilish» tugmasini bosgan taqdirda yoki 1 minut davomida hech qanday harakatlar amalga oshirilmasa, avvalgi rejimga avtomatik qaytish yuzaga keladi.
- Joriy vaqt oziq-ovqat mahsulotlarini tayyorlashni boshlash dasturini belgilashdan avval belgilanishi lozim. Oziq-ovqat mahsulotlarini tayyorlash dasturi tanlanmagan, faqat oziq-ovqat mahsulotlarini tayyorlashni boshlash vaqti belgilangan bo'lsa, shu vaqt kelganda beshita ovozli signal eshitiladi.
- Oziq-ovqat mahsulotlarini tayyorlashni boshlashning belgilangan vaqtini bilish uchun «Soat/O'rnatish» tugmasini bosib, oziq-ovqat mahsulotlarini tayyorlashni boshlash vaqti displeyda to'rt soniya davomida ko'rsatiladi.

Oziq-ovqat mahsulotlarini tez tayyorlash

1. Joriy vaqt rejimida «Start/+30 sek/Tasdiqlash» tugmasini bosib, oziq-ovqat mahsulotlarini maksimal quvvat bilan (100%) 30 sekund davomida tayyorlash jarayoni boshlanadi. Bu tugmani har bir keyingi bosish natijasida tayyorlash vaqti yana 30 sekundga uzaytiriladi.

Oziq-ovqatlarni tez tayyorlashning maksimal mumkin bo'lgan vaqti – 99 minut 99 sekund.

Mikroto'liqlik pechda mahsulotlarni tayyorlash

Oziq-ovqat mahsulotlarini tayyorlashni boshlashdan avval kerakli quvvat darajasini hamda ularni tayyorlash vaqtini belgilash lozim. Oziq-ovqatlarni tayyorlashning maksimal mumkin bo'lgan vaqti – 99 minut 99 sekund.

«Mikroto'liqlik» tugmasini necha marta bosish kerak	Displeydagi tasvir	Pechning quvvati
1	R100	100%
2	R80	80%
3	R50	50%
4	RZ0	30%
5	R10	10%

1. «Mikroto'liqlik» tugmasini bosish orqali quvvatining darajasini tanlang, displeyda tegishli belgilar aks ettiriladi.
2. Raqamli tugmalar yordamida oziq-ovqatlarni tayyorlashning vaqtini kiritib belgilang.
3. «Start/+30 sek/Tasdiqlash» tugmasini bosib, oziq-ovqatlarni tayyorlashning jarayoni boshlanadi.

Mahsulotlarni vazniga ko'ra eritish

1. «Vazniga/vaqtiga ko'ra eritish» tugmasini bosib, displeyda «dEF1» yonib chiqadi.
2. «+» yoki «-» tugmalarining yordamida mahsulotning vaznini 100 grammdan 2000 grammgacha oraliqda belgilang.
3. «Start/+30 sek/Tasdiqlash» tugmasini bosib, belgilangan vazniga ko'ra mahsulotlarni eritish jarayoni boshlanadi.

Mahsulotlarni vaqtiga ko'ra eritish

1. «Vazniga/vaqtiga ko'ra eritish» tugmasini bosib, displeyda «dEF2» yonib chiqadi.
2. Raqamli tugmalarining yordamida oziq-ovqatlarni tayyorlashning vaqtini belgilab kiriting. Oziq-ovqatlarni tayyorlashning maksimal mumkin bo'lgan vaqti – 99 minut 99 sekund.
3. «Start/+30 sek/Tasdiqlash» tugmasini bosib, belgilangan vaqtiga ko'ra mahsulotlarni eritish jarayoni boshlanadi.

Mahsulotlarni avtomatik tayyorlash taomnomasi

- **A-1 - «sabzavot (vegetable)»**
- **A-2 - «baliq (fish)»**
- **A-3 - «go'sht (meat)»**
- **A-4 - «makaron (pasta)»**
- **A-5 - «kartoshka (potato)»**
- **A-6 - «pitsa (pizza)»**
- **A-7 - «sho'rva (soup)»**
- **A-8 - «bo'tqa (porridge)»**

Mahsulotlarni avtomatik tayyorlash taomnomasining jadvali

Avtomatik rejim	Vazni (g)	Bosishlar soni	Displeydagi tasvir
Sabzavot (vegetable) / A-1	150	Bir marta	150
	350	Ikki marta	350
	500	Uch marta	500
Baliq (fish) / A-2	150	Bir marta	150
	250	Ikki marta	250
	350	Uch marta	350
	400	To'rt marta	400
	450	Besh marta	450
Go'sht (meat) / A-3	150	Bir marta	150
	300	Ikki marta	300
	450	Uch marta	450
	600	To'rt marta	600
Makaron (pasta) / A-4	50 (450 g suv)	Bir marta	50
	100 (800 g suv)	Ikki marta	100
	150 (1200 g suv)	Uch marta	150
Kartoshka (potato) / A-5	1 (taxminan 230 g)	Bir marta	1
	2 (taxminan 460 g)	Ikki marta	2
	3 (taxminan 690 g)	Uch marta	3
Pitsa (pizza) / A-6	1 (taxminan 80 g)	Bir marta	1
	2 (taxminan 160 g)	Ikki marta	2
	3 (taxminan 250 g)	Uch marta	3
Sup (soup) / A-7	500	Bir marta	500
	750	Ikki marta	750
	1000	Uch marta	1000
Bo'tqa (porridge) / A-8	550	Bir marta	550
	1100	Ikki marta	1100

Misol: Vazni 350 grammlik baliqni tayyorlash:

1. «Menyu» tugmasini ikki marta bosib, displeyda «A-2» belgilari aks ettiriladi.
2. «+» yoki «-» tugmalarining yordamida mahsulotining vaznini belgilang, displeyda «350» belgilari aks ettiriladi.
3. Oziq-ovqat mahsulotlarini avtomatik tayyorlashni boshlash uchun «Start/+30 sek/ Tasdiqlash» tugmasini bosib, displeyda oziq-ovqat mahsulotlarini tayyorlashning qolgan vaqti aks ettiriladi.

Eslatma:

Oziq-ovqatlarni avtomatik tayyorlash redimida tayyorlashning natijasi mahsulotlarning kattaligi va shakliga, shuningdek unning shisha taglikning ustida joylashuviga bog'liq bo'ladi.

Rejim rabotı gril

1. Gril funksiyasini tanlash uchun «Gril/Kombi» tugmasini bir marta bosib, displeyda «G-1» belgisi aks ettiriladi.

2. Raqamli tugmalar yordamida oziq-ovqat mahsulotlarini tayyorlash vaqtini kiritib belgilang. Oziq-ovqatlarni tayyorlashning maksimal mumkin bo'lgan vaqti – 99 minut 99 sekund.
3. «Start/+30 sek/Tasdiqlash» tugmasini bosib, oziq-ovqatlarni tayyorlashning jarayoni boshlanadi, displeyda oziq-ovqat mahsulotlarini tayyorlashning qolgan vaqti aks ettiriladi.

Oziq-ovqat mahsulotlarini birgalikda tayyorlash rejimi

Oziq-ovqat mahsulotlarini birgalikda tayyorlash eng yaxshi natijaga erishish uchun mikroto'liqlik oziq-ovqat tayyorlash rejimini va grilning ishlash rejimini o'zida mujassamlashtiradi.

«C-1» - Vaqtning 55% qismi davomida mikroto'liqlik usulda tayyorlash + 45% gril usulida tayyorlash, baliqni, kartoshkani tayyorlash mumkin.

«C-2» - Vaqtning 36% qismi davomida mikroto'liqlik usulda tayyorlash + 64% gril usulida tayyorlash, quymoqni, pishirilgan kartoshkani, parrandani tayyorlash mumkin.

1. «Gril/Kombi» tugmasini ikki yoki uch marta bosib - displeyda tanlangan birgalikda tayyorlash rejimining belgilari aks ettiriladi : «S-1» yoki «S-2».
2. Raqamli tugmalar yordamida oziq-ovqat mahsulotlarini tayyorlash vaqtini kiritib belgilang. Oziq-ovqatlarni tayyorlashning maksimal mumkin bo'lgan vaqti – 99 minut 99 sekund.
3. «Start/+30 sek/Tasdiqlash» tugmasini bosib, oziq-ovqatlarni tayyorlashning jarayoni boshlanadi, displeyda oziq-ovqat mahsulotlarini tayyorlashning qolgan vaqti aks ettiriladi.

Avtomatik isitish rejimi

1. Joriy vaqt rejimida «Avtomatik isitish» tugmasini bosib, displeyda «150» belgilari aks ettiriladi.
2. «Avtomatik isitish» tugmasini bosib, siz oziq-ovqat mahsulotining vaznini tanlashingiz mumkin: 150, 250, 350 yoki 400 gramm.
3. «Start/+30 sek/Tasdiqlash» tugmasini bosib, oziq-ovqatlarni tayyorlashning jarayoni boshlanadi, displeyda oziq-ovqat mahsulotlarini tayyorlashning qolgan vaqti aks ettiriladi.

Oziq-ovqat mahsulotlarini ikki bosqichda tayyorlash

Misol: oziq-ovqat mahsulotlarini maksimal quvvatda 10 minut davomida tayyorlash va ularni 80% lik darajasidagi quvvat bilan tayyorlashni davom ettirish.

1. Maksimal quvvatini belgilash uchun «Mikroto'liqlar» tugmasini bosib.
2. «10'» tugmasini bosib, mahsulotlarni tayyorlashning 10 minutlik vaqtini belgilang.
3. 80% darajasidagi quvvatini belgilash uchun «Mikroto'liqlar» tugmasini ikki marta bosib, displeyda «R80» belgilari aks ettiriladi.
4. «10'» tugmasini bir marta va «1'» tugmasini besh marta bosib, mahsulotlarni tayyorlashning 15 minutlik vaqtini belgilang.
5. «Start/+30 sek/Tasdiqlash», tugmasini bosib, oziq-ovqatlarni tayyorlashning jarayoni boshlanadi.

Eslatma:

- Agar oziq-ovqatlarni tayyorlash jarayoniga mahsulotlarni eritish funktsiyasi kiritilgan bo'lsa ,u birinchi bo'lib belgilanishi lozim .

- *Oziq-ovqat mahsulotlarini avtomatik tayyorlash taomnomasining dasturi oziq-ovqat mahsulotlarini ikki bosqichli tayyorlash tayyorlash dasturiga kiritilishi mumkin emas.*

Pechni bolalarning tomonidan yoqilishini bloklash funksiyasi

- Joriy vaqt rejimida «Stop/Bekor qilish» tugmasini bosib va 3 sekund davomida ushlab turing, uzoq muddatli ovoqli signal eshitiladi va displeyda piktogramma [] yonadi .
- Bloklash funksiyasini o'chirish uchun «Stop/Bekor qilish» tugmasini bosib va 3 sekund davomida ushlab turing, uzoq muddatli ovoqli signal eshitiladi va piktogrammasi [] o'chadi.

Eslatmalar:

1. *Oziq-ovqat mahsulotlarini tayyorlash jarayonining davomida, siz «Mikroto'lqinlar» tugmasini bosib, tayyorlashning belgilangan quvvatini ko'rishingiz mumkin - belgilangan tayyorlash quvvati displeyda 2-3 sekund davomida aks ettiriladi.*
2. *Oziq-ovqat mahsulotlarini tayyorlash jarayonining davomida displeyda joriy vaqt 2-3 sekund davomida aks ettirilishi uchun «Soat/O'ratish» tugmasini bosib dlya otobrajeniya.*
3. *Agar Oziq-ovqat mahsulotlarini tayyorlash davomida Siz pechningshikchasini ochgan bo'lsangiz, u holda uni yopgandan keyin mahsulotlarni tayyorlashni davom ettirish uchun «Start/+30 sek/Tasdiqlash» tugmasini bosib.*
4. *Oziq-ovqat mahsulotlarini tayyorlash jarayoni tugaganda beshta ovoqli signal eshitiladi.*

Tozalash va parvarish qilish

- Tozalashdan avval pechni o'chiring va tarmoq simini rozetkadan olib qo'ying.
- Boshqarish paneliga namlik tushishiga yo'l qo'ymang. Uni yumshoq, sal nam bo'lgan salfetka bilan tozalang.
- Pechning ish kamerasi toza holda saqlang. Agar pechning devorlarida oziq-ovqat mahsulotlarining bo'laklari yoki suyuqlikning izlari qolgan bo'lsa, ularni nam salfetka bilan olib tashlang.
- Ish kamerasi juda ifloslangan bo'lsa, yumshoq tozalash vositasidan foydalanish mumkin.
- Pechni tashqaridan va ichini tozalash uchun abraziv yuvish vositalaridan, simli cho'tkalardan foydalanmang. Suv yoki yuvish vositasi pechning qopqog'ida bo'lgan, havo va bug'ni chiqarib yuborish uchun mo'ljallangan tuynuklarga kirib qolmasligini tekshirib turing.
- Ammiak asosidagi yuvish vositalaridan foydalanish taqiqlanadi.
- Tashqi yuzalarni nam salfetka bilan tozalash kerak.
- Pechning eshigi doimo toza bo'lishi lozim. Pechning eshigi va old paneli o'rtasida ovqatning qoldiqlari yig'ilib qolishiga yo'l qo'ymang – bu eshikning normal yopilishiga to'sqinlik qiladi.
- Pechning korpusidagi shamollatish tuynuklarini chang va gardlardan muntazam tozalab turing, ulardan pechning sovitilishi uchun havo kirib turadi.
- Shisha taglikni va uning tayanchini muntazam ravishda yechib olib, tozalab turing; pechning ish kamerasining tubini arting.
- Shisha taglikni va uning aylantiruvchi moslamasini neytral yuvish vositasi qo'shilgan suvda yuving.

Ushbu detallarni yuvish uchun idish yuvish mashinasidan foydalanish mumkin.

- Isitilgan shisha taglikni sovuq suvga solmang, chunki haroratning keskin o'zgarishi tufayli shisha taglik yorilib ketishi mumkin.

Nosozliklarni bartaraf etish

Nosozlik turi	Ehtimoliy sababi	Uni bartaraf etish usuli
Pech yoqilmaydi	Tarmoq simining vilkasi rozetkaga yetarlicha zich kiritilmagan.	Vilkani rozetkadan olib tashlang. 10 soniya o'tganidan keyin vilkani yana rozetkaning ichiga kiriting.
	Tarmoq rozetkasida muammolar mavjud	Tekshirish uchun xuddi shu rozetkaga boshqa elektr asbobini yoqib ko'ring
Isitish mavjud emas	Eshikchasi zich yopilgan	Eshikchasini zich yoping
Pech ishlagan paytida aylanayotgan shisha taglik begona shovqinlarni chiqaradi	Rolikli halqa yoki ish kamerasining pastki qismi ifloslangan	Shisha taglikni va rolikli halqani olib tashlang. Rolikli halqani va ish kamerasining tubini yuvib chiqing.

Normal ishlashi

Mikroto'lqinli pech tele va radiosignallarni qabul qilishda shovqinlarni hosil qiladi.	Mikroto'lqinli pechning ishlashi paytida tele va radiosignallarni qabul qilishda shovqinlar hosil bo'lishi mumkin. Mikser, changyutgich va elektr fen kabi kichik elektr buyumlari ishlaganda ham xuddi shunday shovqinlar yuzaga keladi. Bu normal holatdir.
Yoritishning yorqinligi past.	Agar mikroto'lqinli nurlanish quvvatining past darajasi belgilangan bo'lsa, ish kamerasini yoritishning yorqinligi darajasi past bo'qlishi mumkin. Bu normal holatdir.
Eshikchasida bug'larning yig'ilib qolishi, shamollatish tuynukchalaridan issiq havoning chiqishi.	Mahsulotlarni tayyorlash jarayonida, tayyorlanayotgan mahsulotlardan bug' chiqishi mumkin. Bug'ning asosiy qismi shamollatish tuynukchalari orqali chiqi b ketadi, lekin uning ozgina miqdori eshikchaning ichki tomonida yig'ilib qolishi mumkin. Bu normal holatdir.
Mikroto'lqinli pech ichiga mahsulot solinmagan holda yoqilgan.	Mikroto'lqinli pechni ichiga mahsulot solinmagan holda qisqa muddatli yoqilishi uning buzilishiga olib kelmaydi. Doimo pechni yoqishdan avval uning ichida mahsulotlar borligini tekshiring.

Texnik ko'rsatkichlar va xususiyatlar

Foydalanish sharoitlari:

Havo harorati	+10°S - +35°S
Havoning nisbiy namligi	35-80%
Atmosfera bosimi	86-106 kPa (650 – 800 mm.rt.st)

Asosiy ko'rsatkichlar

Napryajeniye pitaniya:	230 V ± 10% ~ 50 Gts
------------------------	----------------------

Nominal mikroto'liqinli quvvat	800 W
Mikroto'liqlar rejimida nominal iste'mol qilinadigan quvvati	1300 W
Gril rejimida nominal iste'mol qilinadigan quvvati	1000 W
Ishlash chastotasi	2450 ± 49 MHz
Kameraning hajmi	23 l
Shisha taglikning diametri	270 mm
O'lchov kattaligi, ko'pi bilan	450 x 410 x 295 mm
O'ramsiz vazni, ko'pi bilan	14,0 kg
Qimmatbaho metallarning miqdori:	
Oltin	0 g
Kumush	1,06794 g

Etkazib berish to'plami

Pech	1 dona
Shisha taglik	1 dona
Rolikli halqa	1 dona
Gril panjarasi	1 dona
Foydalanish qo'llanmasi	1 dona
Kafolat taloni	1 dona
Mikroto'liqli pech uchun taomnomalar kitobi	1 dona
Individual o'ram	1 dona

Ишлаб чиқарувчи жиҳоз хусусиятларини олдиндан маълум қилмасдан ўзгартириш ҳуқуқини сақлаб қолади.

Buyumning xizmat qilishining muddati - 5 yil

**Данный продукт соответствует требованиям технических условий ТУ ВУ
100085149.182-2005.**

**По условиям безопасности в эксплуатации соответствует требованиям защиты
класса 1 СТВ IEC 60335-1-2008, СТВ МЭК 60335-2-25-2006.**



002



РБ01

Изготовитель:

Совместное общество с ограниченной ответственностью «Мидеа-Горизонт»

220014, Минск, пер. С.Ковалевской, 52

Тел./факс +375-017-228-20-14

По заказу ООО «Голдер Электроникс»

109004, Москва, Пестовский пер., 10/1

Тел. +7 (495) 921-01-60, факс +7 (495) 921-01-90

www.vitek.ru