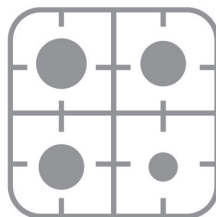




ИНСТРУКЦИЯ ПО ЭКСПЛУАТАЦИИ



**ВСТРАИВАЕМЫЕ ГАЗОВЫЕ
ВАРОЧНЫЕ ПОВЕРХНОСТИ**



RU

ENG

Dear User,

Our objective is to make this product provide you with the best output which is manufactured in our modern facilities in a careful working environment, in compliance with total quality concept.

Therefore, we suggest you to read the user manual carefully before using the product and, keep it permanently at your disposal.

Note: This user manual is prepared for more than one model. Some of the features specified in the Manual may not be available in your appliance.

All our appliances are only for domestic use, not for commercial use.

“Conforms with the WEEE Regulations.”

CONTENTS

Important Warnings.....	4
Introduction Of The Appliance.....	6
Control Panel.....	7
Electrical Connection Scheme.....	7
Important Warnings.....	8
If Built-In Oven Is Placed Under Cooktop.....	10
Installation Of Cookstop.....	10
Counter Cutting Sizes And Installation Of Your Cooktop.....	12
Correct Place For Installation.....	13
Ventilation Of Room.....	13
Transformation From Natural Gas To Lpg And From Lpg To Natural Gas.....	14
Gas Breaking Safety Appliance (FFD).....	14
Usage Of Your Cooktop.....	15
Pot Diameter.....	16
Wok Burner.....	17
Usage Of Hotplate.....	17
Maintenance And Cleaning.....	18
Troubles And Solution Proposals.....	19
Setting Gas Cooktops As Per Gas Type.....	19
Injector, Gas Flow And Power Table.....	20
Environmentally-Friendly Disposal And Package Information.....	21

IMPORTANT WARNINGS

- 1. WARNING: Before touching the connection terminals, all supply circuit should be disconnected.**
- 2. WARNING: Any inadvertent cooking made with fats and oils can be dangerous and cause fire.**
- 3. WARNING: Risk of fire; do not store the food materials on the cooking surface.**
- 4. WARNING: During usage the reachable sections can be hot. Keep the small children away.**
- 5. WARNING: The appliance and its reachable sections become hot during usage.**
- The setting conditions of this appliance is indicated on the label. (Or data tag)
- This appliance is not connected to a combustion product discharge system. This appliance shall be connected and installed as per the applicable installation legislation. Consider the requirements related with ventilation.
- Using a gas hob will release humidity and combustion products in the room where it resides. Especially during when the appliance in use, ensure that the kitchen is well ventilated and retain the natural ventilation holes or install a mechanical ventilation system. (Hood on top of the oven) Sustained usage of the appliance may require additional ventilation. For example opening a window or if available, increasing the ventilation level of a mechanical ventilation system.
- 9. WARNING: The appliance is intended for cooking only. It must not be used for other purposes like room heating.**

10. This appliance should be installed as per regulations and in well-ventilated location only. Read the instructions before installing or operating the appliance.”

11. Before placing the appliance check the local conditions (gas type and gas pressure) and ensure that the settings of the appliance is appropriate.

12. These instructions are applicable for countries of which symbols are indicated on the appliance. If the country symbol is not available on the appliance, in order to adapt the appliance to the conditions of such country, the technical instructions should be read.”

13. Do not operate the system for more that 15 seconds. If the burner does not ignite at the end of 15 seconds stop the operation of the system and open the section door and/or wait for at least 1 minute before igniting the burner.

14. Do not use steam cleaners to clean the appliance.

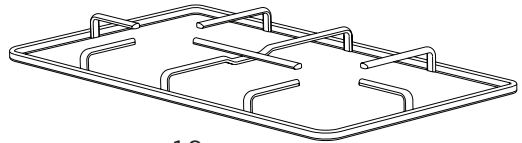
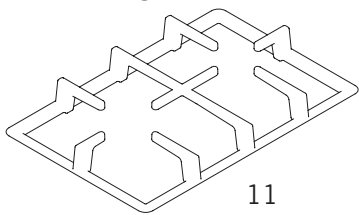
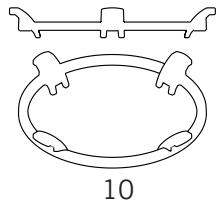
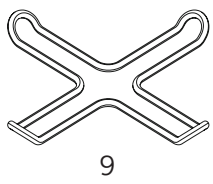
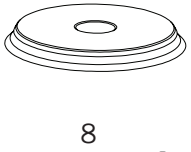
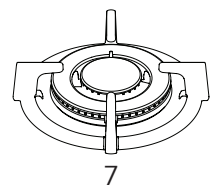
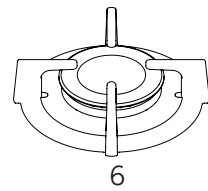
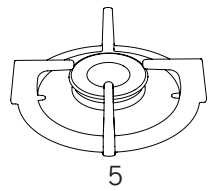
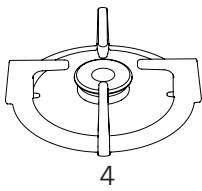
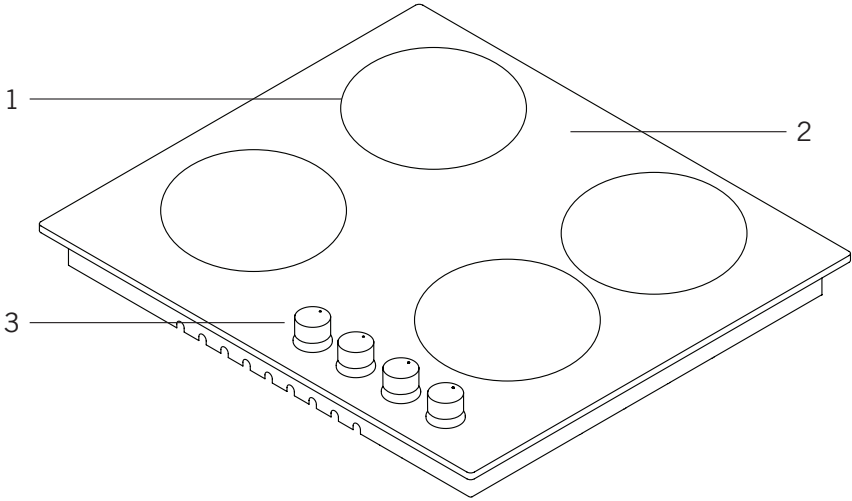
15. NEVER try to extinguish a fire with water, first disconnect the mains supply and then using, for example a lid or blanket, cover the fire.

16. Unless continuous supervision is provided, the children of age 8 or below should be kept away.

17. Pay attention for not to touch the heating elements.

18. This appliance can be used by children aged from 8 years and above and persons with reduced physical, sensory or mental capabilities or lack of experience and knowledge if they have been given supervision or instruction concerning use of the appliance in a safe way and understand the hazards involved.

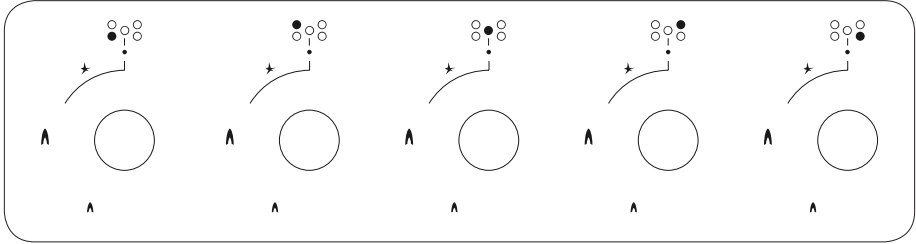
INTRODUCTION OF THE APPLIANCE



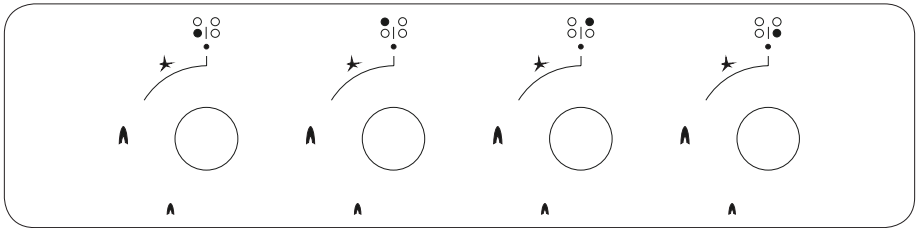
- 1 - Burner positions
- 2- Glass or Metal Surface
- 3- Control Buttons
- 4- Small Burner
- 5- Medium Burner
- 6- Large Burner

- 7 - WOK Burner
- 8- Hotplate
- 9- Coffee Adaptor
- 10- Wok Burner Adaptor
- 11- Cast Grill
- 12- Enamel Grill

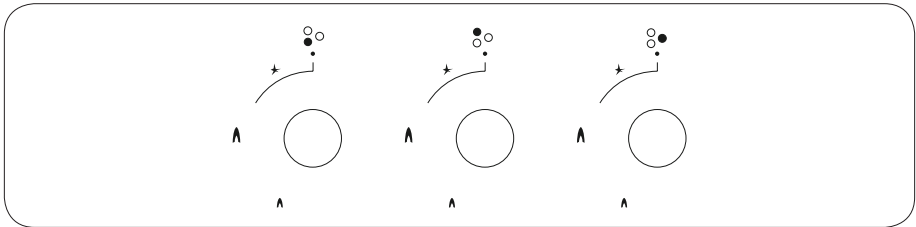
CONTROL PANEL



Cooktop Panel Visual of 70-90 cm and 100 cm



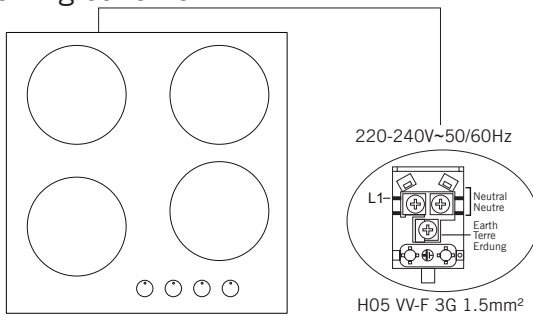
Cooktop Panel Visual of 60 cm



Cooktop Panel Visual of 45 cm

ELECTRICAL CONNECTION SCHEME

Get electrical connection of your appliance done to authorized person in line with the following scheme.



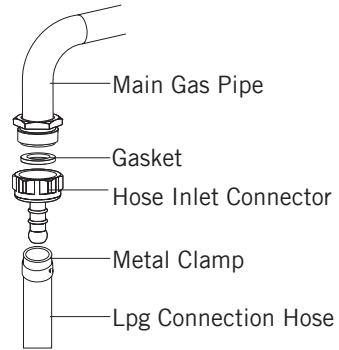
IMPORTANT WARNINGS

Electrical Connection and Safety

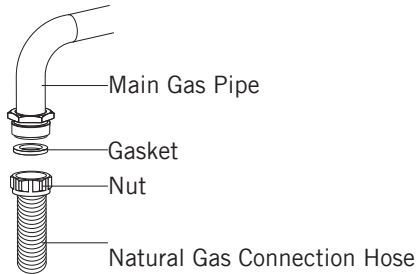
1. Setting conditions of this appliance is indicated in tag or data plate.
2. This appliance is not connected to any discharging apparatus of burning products. It should be connected and installed according to applicable assembly regulation.
3. Great attention should be paid on ventilation related conditions.
4. Your appliance should be connected to an appropriate fuse according to electric power. If necessary, it is recommended that connection is made by authorized service.
5. Your appliance is configured in accordance with electrical supply of 220-240V, 50/60Hz.
6. If main electrical network is different from these values, contact with your authorized service.
7. Electrical connections of your appliance should only be made to the fuses having suitably wired grounding (grounded) system. If no convenient fuse is available in the place where your appliance is to be installed, contact with authorized service immediately. Manufacturing firm is not responsible definitely for the damages that fuses whose grounding is not made and connected to the appliance can cause.
8. Plug of the appliance should be close to be accessed easily to the fuse whose grounding is made without use of extension cord.
9. Do not allow contacting the power cable of your appliance with hot regions. Similarly, keep away it from sharp edges and corners.
10. If feeder cord is damaged, this cord should be replaced either by manufacturer or its service agency or same degree qualified personnel in order to hinder a dangerous situation.
11. Wrong electrical connection may give damage to the appliance. In this case, your appliance will remain out of guarantee scope. Electrical connection of your appliance should be done by authorized service.
12. During operation of cooktop, some parts may be hot. When you also bring switches closed position, it may remain hot for a while. Children should be kept away every time and not be left without observation. Do not touch surface of cooktop while warning lights flashes. When you bring your appliance closed position, hot parts being still dangerous are stated with warning lights. (Vitreoceran models).

Gas Connection and Safety

1. For LPG (cylinder) connection, affix metal clamp on the hose coming from LPG cylinder. Affix an edge of the hose on hose inlet connector behind the appliance by pushing to end through heating the hose in boiled water. Afterward, bring the clamp towards end section of the hose and tighten it with screwdriver. The gasket and hose inlet connector required for connection is as the picture shown below.



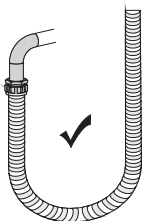
NOTE: The regulator to be affixed on LPG cylinder should have 300 mmSS feature.



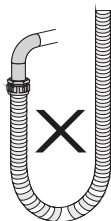
2. Natural gas connection should be done by authorized service. For natural gas connection, place gasket in the nut at the edge of natural gas connection hose. To install the hose on main gas pipe, turn the nut. Complete the connection by making gas leakage control.



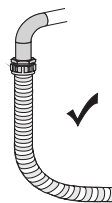
Gas hose and electric connection of the appliance should not pass next to hot areas such as back of the appliance. Gas hose should be connected by making wide angle turns against breaking possibility. Movement of appliance whose gas connection is made may cause gas leakage.



True



False



True



True

3. Connect your appliance to gas cock from the shortest way and in a manner to prevent any leakage. For safety, the hose used should be maximum 125 cm and minimum 40 cm.
4. While making gas leakage control; never use lighter, match, glowing cigarette or similar inflammable matter.
5. Apply soap bubble on connection point. If any leak/leakage exists, foaming will occur on soaped region.
6. If the cooktop is to be mounted on a cabinet or openable drawer, a heat protection panel having 15 mm minimum opening should be mounted under the cooktop.

IF BUILT-IN OVEN IS PLACED UNDER COOKTOP;

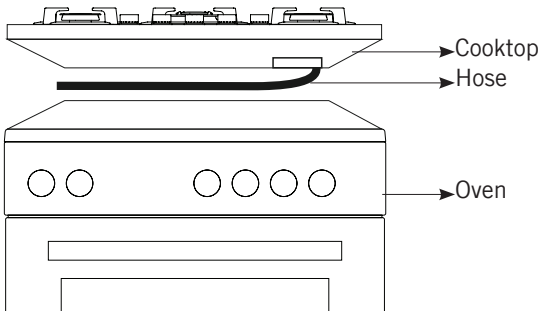


Figure 1

Gas pipe should be affixed in a way not to touch the oven below, sharp edges and corners, not to be pulled in a manner to be twisted and strained. Make gas connection from right part of the cooktop, fasten the hose by use of clamp.

INSTALLATION OF COOKSTOP

1. Detach the burners, burner hoods and grills from the product.
2. Turn the cooktop down and place on smooth ground.
3. In order to prevent entrance of foreign substances and liquids between cooktop and counter, apply the paste given in package to the sides of lower guard of counter. For corners, curl paste and increase curls till filling corner gaps.
4. Turn cooktop again and align with and place on counter.
5. Fasten up your cooktop on counter by using the clamp and screws supplied.

On the assembly chart given in next page, it is shown how to assemble your cooktop.

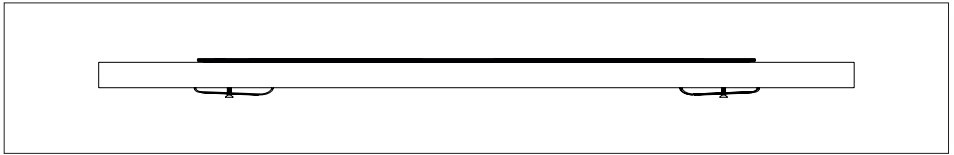
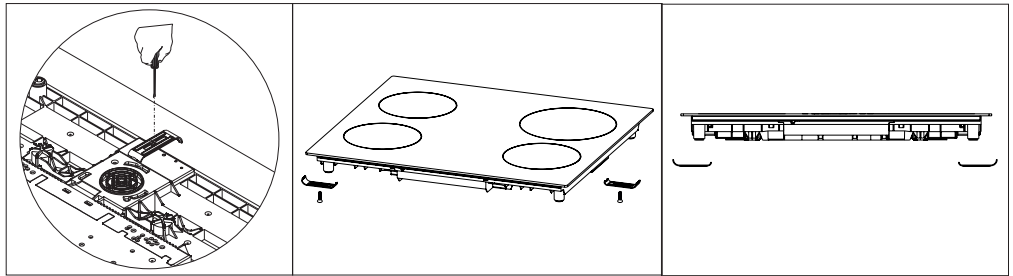
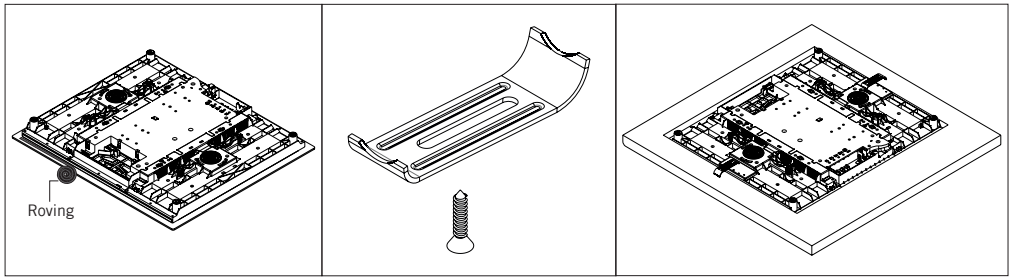


Figure 2

6. When product is mounted on a drawer, if it is possible to touch lower side of product, this section should be separated with a wooden shelf.

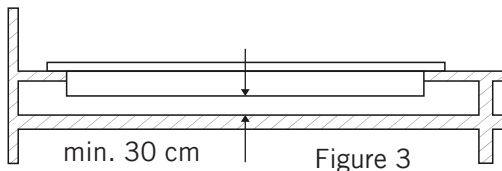


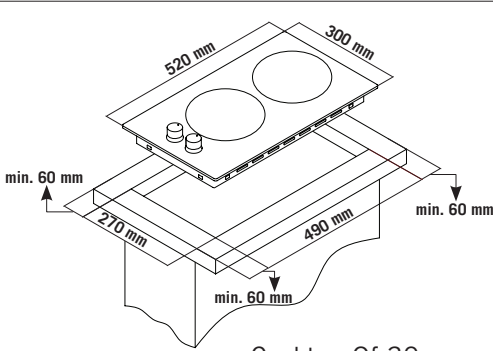
Figure 3

7. While mounting cooktop on a closet, as shown in the figure above, in order to separate between closet and cooktop, a shelf should be mounted. If it is mounted on a built-in oven, there is no need to do that.

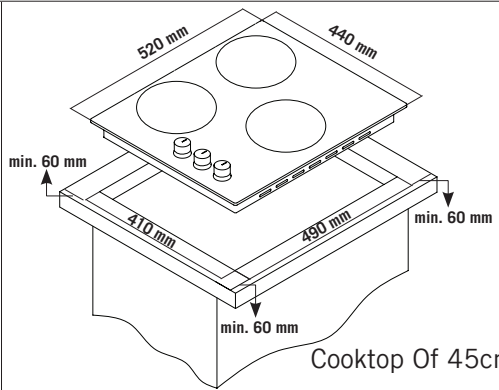
8. If your cooktop will be mounted next to right or left wall, the minimum distance between wall and cooktop should be 50 mm.

COUNTER CUTTING SIZES AND INSTALLATION OF YOUR COOKTOP

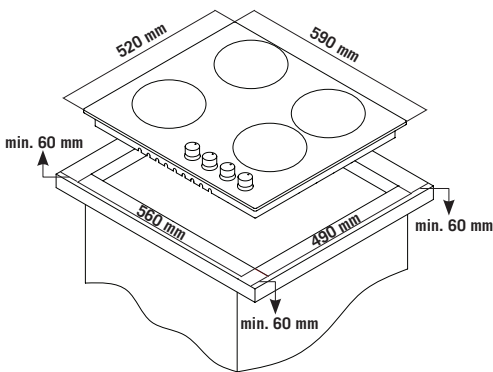
Pay attention to the drawings and dimensions given below while making cooktop installation and adjusting counter cutting sizes.



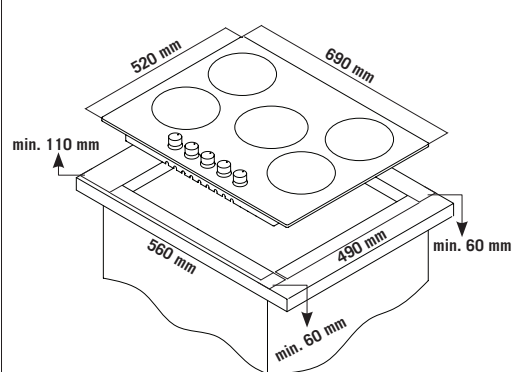
Cooktop Of 30cm



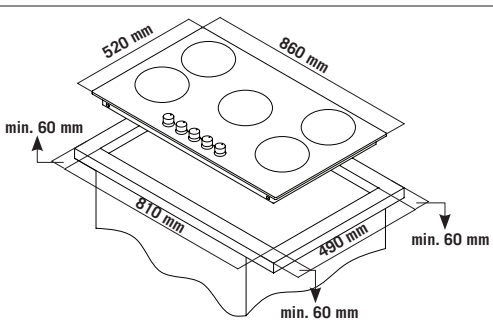
Cooktop Of 45cm



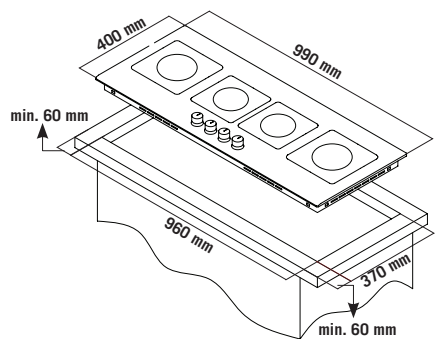
Cooktop Of 60cm



Cooktop Of 70cm

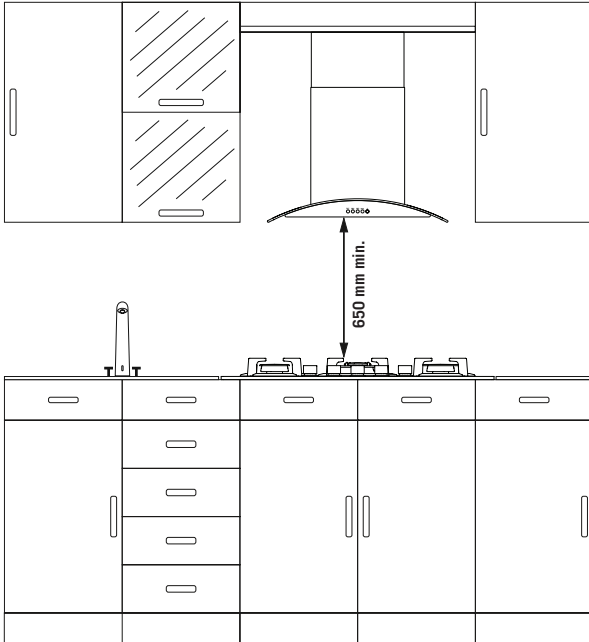


Cooktop Of 90cm



Cooktop Of 100cm

CORRECT PLACE FOR INSTALLATION



Product is designed in accordance with the kitchen counters supplied from market. A safe distance should be left between the product and kitchen walls and furniture.

If hood/aspirator will be installed over your appliance, obey to the recommendation of hood/aspirator manufacturer for assembly height. (min. 65 cm)

The gap that cooktop is to be placed on the counter should be cut in line with cooktop installation dimensions.

For installation of the product, the rules specified in local standards related to electricity should be complied.

VENTILATION OF ROOM

The air needed for burning is received from room air and the gases emitted are given directly in room. For safe operation of your product, good room ventilation is a precondition. If no window or room to be utilized for room ventilation is available, additional ventilation should be installed. However, room has a door opening outside, it is no needed to vent holes.

Room Size	Ventilating Opening
Smaller than 5m ³	min. 100 cm ²
Between 5 m ³ - 10m ³	min. 50 cm ²
Bigger than 10m ³	no need
In basement or cellar	min. 65 cm ²

TRANSFORMATION FROM NATURAL GAS TO LPG AND FROM LPG TO NATURAL GAS

1. Turn off gas and electricity of the cooktop. If your cooktop is hot, wait for cooling down.
2. For injector change, use a screwdriver whose edge is as the Figure 4.
3. As seen in Figure 5, demount burner lid and burner of the cooktop and ensure visibility of injector.
4. Remove injector by turning as shown in Figure 6 with screwdriver and replace it with a new one.

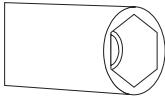


Figure 4

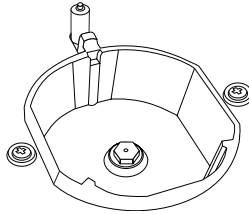


Figure 5

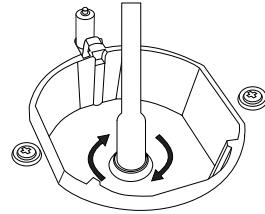


Figure 6

5. After that, detach control switches of the cooktop. Make setting by turning the screw in the middle of gas cocks with a small screwdriver in the manner shown in the following picture. To adjust flow rate screw, use a screwdriver having suitable dimension. For LPG, turn the screw clockwise. For natural gas, turn the screw one time counter clockwise. At low position, length of normal flame should be 6-7 mm. For the last control, check out whether flame is open or closed.

Setting of your appliance may differ according to the type of gas cock used.

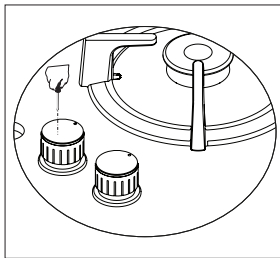


Figure 7

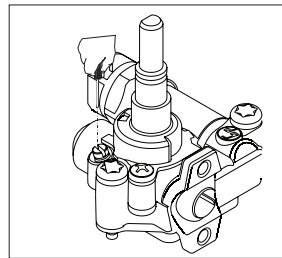


Figure 8

GAS BREAKING SAFETY APPLIANCE (FFD)

Against putting out to be taken place as a result of liquid overflow at upper burners, safety appliance steps in and cut gas immediately.

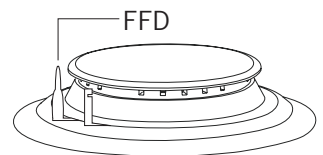


Figure 9

USAGE OF YOUR COOKTOP

Usage of Gas Cooktop

1. Before starting to use your cooktop, be sure burner hoods are at correct position. Correct placement of burner hoods are shown in the following figure.

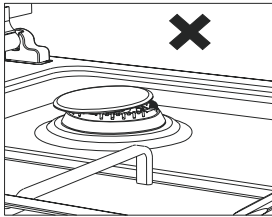


Figure 10

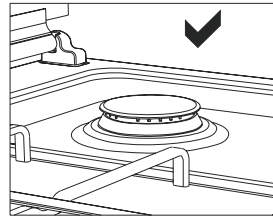


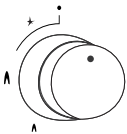


Figure 11

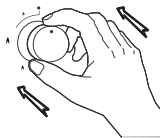
2. Gas cocks have a special locking mechanism. Therefore, to operate cooktop zone, press button by pushing ahead and while opening or closing the cock, hold down the button.

● Closed  Fully open  Half open

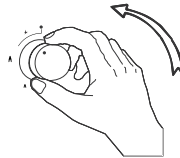
3. For automatic igniting models, igniting is realized via electricity. Therefore, before operating appliance, be sure that appliance has electric connection. Igniting for these models is as follows.



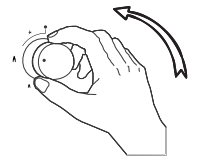
Cooktop cock is at closed position.



To ignite cooktop, firstly press the button towards ahead.



While holding down the button, lighter steps in and starts to ignition.



By turning the button right while holding down, you can provide ignition at flame length you want.

4. Pay attention that cooktop grills are placed on cooktop table completely. In case of failure about this matter can cause pouring of the materials to be put on that.

5. For the models having gas putting out safety, following realizing ignition procedure according to the guidelines above, wait for 5-10 seconds by pushing button ahead without keeping your hands off. Safety

mechanism will step in this duration and ensures operation of the cooktop. With regard to gas putting out appliance, gas cock cuts the gas going to cooktop zone in case of putting out of cooktop flame due to any reason.

6. While using coffee pot apparatus supplied along with the cooktop, be sure that foots of apparatus are placed on cooktop grill exactly and remain on cooktop zone in centred way. Use the apparatus only on small burner.

7. While utilizing gas cooktops, use saucepan, placed on cooktop surface as far as possible. Thanks to that, you can save energy. In the following table, cooking pot diameters recommended to be used as per burners are given. Characteristic of Wok cooktop zone is to cook quickly.

POT DIAMETER

GLASS HOBS						
	Domino	45cm. Hobs	60cm. Hand Control	60cm. Control Front	70cm. Control Front	90cm. Control Front
Small Burner	12-18cm	12-18cm	12-18cm	12-18cm	12-18cm	12-18cm
Middle Burner	---	18-20cm	18-20cm	18-20cm	18-20cm	18-22cm
Big Burner	18-24cm	22-24cm	22-24cm	22-24cm	22-24cm	22-26cm
Wok Burner	24-26cm	---	24-26cm	24-26cm	24-26cm	26-30cm

METAL HOBS						
	Domino	45cm. Hobs	60cm. Hand Control	60cm. Control Front	70cm. Control Front	90cm. Control Front
Small Burner	12-18cm	12-18cm	12-18cm	12-18cm	12-18cm	12-18cm
Middle Burner	---	18-20cm	18-20cm	18-20cm	18-20cm	18-22cm
Big Burner	18-22cm	22-24cm	22-26cm	22-24cm	22-24cm	22-26cm
Wok Burner	24-26cm	24-26cm	24-26cm	24-26cm	24-26cm	26-32cm



Cooking pot to be used with products should have minimum 120 mm. diameter.

WOK BURNER

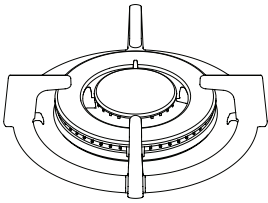


Figure 12

As it possesses double ring flame system, it gives homogenous heat distribution at the bottom of cooking pot at high temperature. It is ideal for short term and high temperature cooking. When you want to use regular cooking pot on wok burner, it is necessary that you remove wok cooking pot carrier from cooktop.

USAGE OF HOTPLATE

You can operate electric cooktops by turning the button on control panel you want to use to the level you desire. Cooktop powers as per levels are given in the following table.

	LEVEL 1	LEVEL 2	LEVEL 3	LEVEL 4	LEVEL 5	LEVEL 6
Ø80mm	200W	250W	450W	---	---	---
Ø145mm	250W	750W	1000W	---	---	---
Ø180mm	500W	750W	1500W	---	---	---
Ø145mm Rapid	500W	1000W	1500W	---	---	---
Ø180mm Rapid	850W	1150W	2000W	---	---	---
Ø145mm	95W	155W	250W	400W	750W	1000W
Ø180mm	115W	175W	250W	600W	850W	1500W
Ø145mm Rapid	135W	165W	250W	500W	750W	1500W
Ø180mm Rapid	175W	220W	300W	850W	1150W	2000W

MAINTENANCE AND CLEANING

Before starting to maintenance or cleaning, firstly unplug the plug supplying electricity to cooktop and turn off gas valve. If cooktop is hot, wait for cooling down.

1. For the purpose that your cooktop has long and economic life, regular cleaning and maintenance should be performed on your cooktop.

2. Do not clean your cooktop with scratching tools such as bristle brush, wire wool or knife. Do not use abrasive, scratching, acid materials or detergent.

3. Following mopping parts of your cooktop with soapy cloth, rinse it, later rinse well with a soft cloth.

4. Clean glass surfaces with special glass cleaning substances. As scratching of glass surfaces leads to breaking, while cleaning glass surfaces, do not use abrasive cleaners or sharp metal scrapers.

5. Do not clean your cooktop with steamy cleaners.

6. Clean channels and lids of cooktop zones with soapy water and clean gas channels with a brush.

7. In the course of cleaning your cooktop, never use flammable materials such as acid, thinner and gas.

8. Do not wash plastic and aluminium parts of your cooktop in dishwasher.

9. Clean vinegar, lemon, salt, coke and similar acid and alkaline containing substances poured on your cooktop immediately.

10. In time, cooktop buttons turns hard or never turn any more, in such circumstances, it may be necessary that buttons are changed. The change should only be done by authorized service.

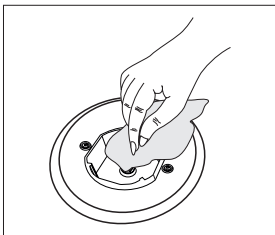


Figure 13

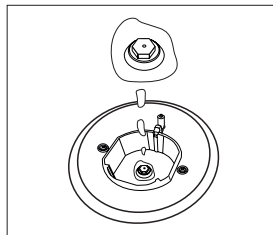


Figure 14

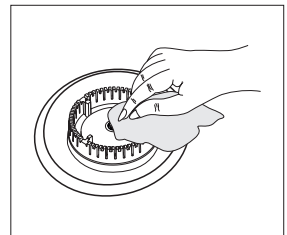


Figure 15

TROUBLES AND SOLUTION PROPOSALS

You can solve the troubles you can encounter at your product by checking the following points before calling technical service.

If cooktop does not operate;

- Check if power cable of cooktop is plugged in
- Examine with safe ways if electric exists on network
- Audit fuses.
- Control whether damage is available on power cable.
- Check if main gas valve in your network is open
- Go through existence of breaking or twisting on gas pipe
- Be sure that gas pipe is connected to cooktop in appropriate way.
- See over if suitable gas valve is used for your cooktop

(Get periodical maintenance done.)

If starter does not operate;

- Be sure that electric power cable of product is plugged in
- Clean the edge and body sections of ignition spark plugs found on burners with a wet and dirt remover materials thoroughly. Be sure that the channels present on burners are open and clean.

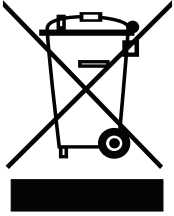
SETTING GAS COOKTOPS AS PER GAS TYPE

Gas type (LPG or natural gas) that your appliance is manufactured for is stated in the label found behind the product and that show technical features. If gas setting of your appliance is not the same as gas setting of your network, it should be adjusted by making change by an expert person. In the following table, injector, gas flow and power values of appliance is given according to gas type.

INJECTOR, GAS FLOW And POWER TABLE							
BURNER SPECIFICATIONS	G20,20 mbar G25,25 mbar			G20,25 mbar		G20,13 mbar	
	Gas Natural			Gas Natural		Gas Natural	
Wok Burner	Injector	1,40	mm	1,28	mm	1,60	mm
	Gas Flow	0,333	m ³ /h	0,333	m ³ /h	0,333	m ³ /h
	Power	3,50	kW	3,50	kW	3,50	kW
Rapid Burner	Injector	1,15	mm	1,10	mm	1,45	mm
	Gas Flow	0,276	m ³ /h	0,276	m ³ /h	0,276	m ³ /h
	Power	2,90	kW	2,90	kW	2,90	kW
Semi-Rapid Burner	Injector	0,97	mm	0,92	mm	1,10	mm
	Gas Flow	0,162	m ³ /h	0,162	m ³ /h	0,162	m ³ /h
	Power	1,70	kW	1,70	kW	1,70	kW
Auxiliary Burner	Injector	0,72	mm	0,70	mm	0,85	mm
	Gas Flow	0,96	m ³ /h	0,96	m ³ /h	0,96	m ³ /h
	Power	0,95	kW	0,95	kW	0,95	kW

INJECTOR, GAS FLOW And POWER TABLE							
BURNER SPECIFICATIONS	G30,28-30 mbar G31,37 mbar			G30,50 mbar		G30,37 mbar	
	LPG			LPG		LPG	
Wok Burner	Injector	0,96	mm	0,76	mm	0,96	mm
	Gas Flow	254	g/h	254	g/h	254	g/h
	Power	3,50	kW	3,50	kW	3,50	kW
Rapid Burner	Injector	0,85	mm	0,75	mm	0,85	mm
	Gas Flow	211	g/h	211	g/h	211	g/h
	Power	2,90	kW	2,90	kW	2,90	kW
Semi-Rapid Burner	Injector	0,65	mm	0,60	mm	0,65	mm
	Gas Flow	124	g/h	124	g/h	124	g/h
	Power	1,70	kW	1,70	kW	1,70	kW
Auxiliary Burner	Injector	0,50	mm	0,43	mm	0,50	mm
	Gas Flow	69	g/h	69	g/h	69	g/h
	Power	0,95	kW	0,95	kW	0,95	kW

ENVIRONMENTALLY-FRIENDLY DISPOSAL



1. Dispose of packaging in an environmentally-friendly manner.
2. This appliance is labelled in accordance with European Directive 2012/19/EU concerning used electrical and electronic appliances (waste electrical and electronic equipment - WEEE). The guideline determines the framework for the return and recycling of used appliances as applicable throughout to the EU.

PACKAGE INFORMATION

Packaging materials of the product are manufactured from recyclable materials in accordance with our National Environment Regulations. Do not dispose of the packaging materials together with the domestic or other wastes. Take them to the packaging material collection points designated by the local authorities.

Уважаемый пользователь;

Наша продукция произведена с использованием современных в технологических возможностей и квалифицированного производственного и технического персонала, для достижения высокого к ачества.

Мы рекомендуем Вам внимательно ознакомиться с руководством поэксплуатации и сохранить его для дальнейшего использования.

Примечание: Это руководство подготовлено не только для одной модели плит. Некоторые функциональные Возможности могут быть не реализованы в Вашей модели.

“Соответствует с Правилами WEEE.”

СОДЕРЖАНИЕ

Важные Предупреждения.....	24
Описание Прибора.....	27
Пульты Управления	28
Схема Электрического Подключения.....	28
Важные Предупреждения.....	29
Если Под плитой Установлена Встроенная Духовка.....	31
Монтаж Плиты На Место.....	31
Размеры Места Под Плиту И Установка Плиты.....	33
Правильное Место Для Монтажа.....	34
Вентиляция Помещения.....	34
Преобразование Из Природного Газа В Lpg И Из Lpg В Природный Газ.....	35
Защитный Механизм Отключения Газа (FFD).....	35
Эксплуатация Плиты.....	36
Диаметр Горшок.....	37
Горелка Wok.....	38
Использование Портативных Нагревателей.....	38
Техническое Обслуживание И Чистка.....	39
Проблемы И Рекомендации По Их Устранению.....	40
Настройка Газовых Плит В Зависимости От Типа Газа.....	40
Инжектор, Потребление И Мощность Таблица.....	41
Утилизация С Учетом Экологических Требований И Информация Об Упаковке.....	42

ВАЖНЫЕ ПРЕДУПРЕЖДЕНИЯ

- 1. ВНИМАНИЕ!** Прежде чем касаться клемм, следует обесточить все цепи питания.
- 2. ВНИМАНИЕ!** Несоблюдение осторожности при готовке с использованием жиров и масел представляет опасность и может привести к возгоранию.
- 3. ВНИМАНИЕ!** Опасность возгорания: не кладите продукты на рабочую поверхность.
- 4. ВНИМАНИЕ!** Досягаемые части могут нагреваться при использовании. Не подпускайте к устройству маленьких детей.
- 5. ВНИМАНИЕ!** Устройство и его досягаемые части нагреваются при использовании.
- 6.** Условия установки данного устройства указаны на заводской табличке. (Или на бирке с информацией.)
- 7.** Данное устройство не подсоединено к системе сброса продуктов сгорания. Данное устройство следует подсоединить и установить в соответствии с применимыми нормативными актами по установке. Учтите требования, связанные с вентиляцией.
- 8.** Использование газовой конфорки приведет к выбросу влаги и продуктов сгорания в комнату, где размещено устройство. Убедитесь, что кухня

хорошо вентилируется, особенно во время использования устройства, и не закрывайте естественные вентиляционные отверстия либо установите механическую систему вентиляции. (Вытяжной колпак над печью.) Постоянное использование данного устройства может потребовать дополнительной вентиляции. Например, открытия окна или перевода механической системы вентиляции на более высокий уровень работы.

9. ВНИМАНИЕ! Данное устройство предназначено только для готовки. Его нельзя использовать для других целей, таких как обогрев комнаты.

10. Данное устройство следует устанавливать в соответствии с нормативами и только в хорошо проветриваемых помещениях. Прочтите инструкции перед установкой или использованием устройства».

11. Перед установкой устройства проверьте местные условия (тип и давления газа) и убедитесь, что устройство настроено соответствующим образом.

12. Эти инструкции относятся к странам, символы которых указаны на устройстве. Если символ вашей страны отсутствует на устройстве, прочтите технические инструкции, чтобы

приспособить устройство к ее условиям.

13. «Не используйте эту систему в течение более чем 15 секунд. Если горелка не загорелась через 15 секунд, отключите систему и откройте дверь минимум одну минуту перед зажиганием горелки.

14. Не используйте пароочистители для очистки устройства.

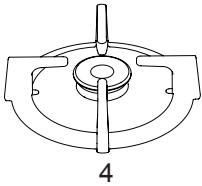
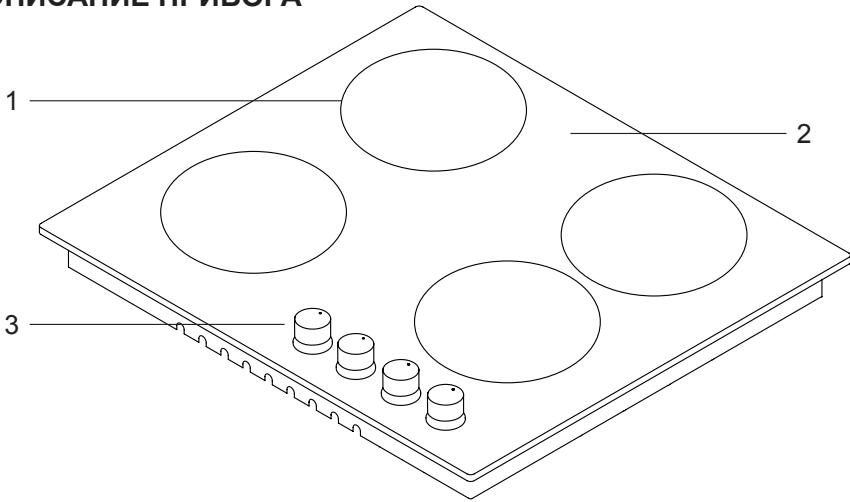
15. НИ В КОЕМ СЛУЧАЕ не пытайтесь гасить возгорание водой: сперва отключите устройство от сети, а затем накройте огонь, используя, например, крышку или одеяло.

16. Не подпускайте к устройству детей до 8 лет, если нет возможности постоянно наблюдать за ними.

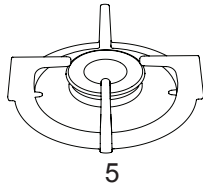
17. Постарайтесь не касаться нагревающих элементов.

18. Дети от 8 лет и старше, а также лица с ограниченными физическими, сенсорными или умственными способностями или не обладающие достаточным опытом и знаниями могут использовать данное устройство под наблюдением или если им были предоставлены инструкции по его безопасному использованию, позволяющие понять связанные с устройством опасности.

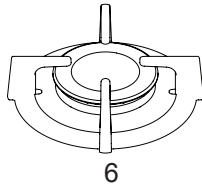
ОПИСАНИЕ ПРИБОРА



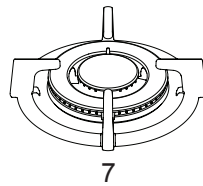
4



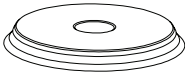
5



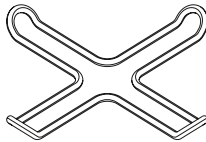
6



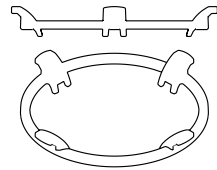
7



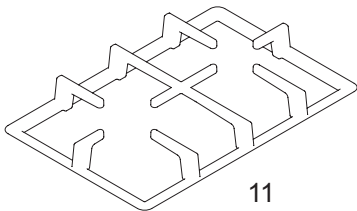
8



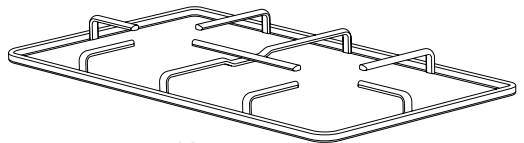
9



10



11



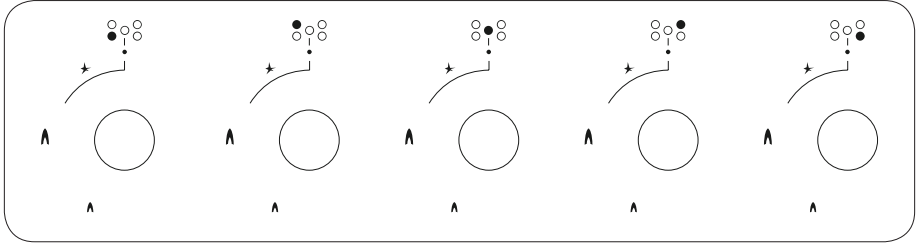
12

1 - Положения горелки
 2- Стеклопанель или
 металлическая
 поверхность
 3- Контрольные кнопки
 4- Маленькая горелка

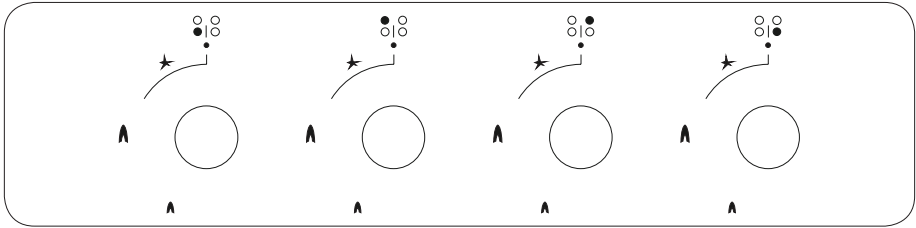
5- Средняя горелка
 6- Большая горелка
 7 - Горелка WOK
 8- Плитка
 9- Адаптер для
 приготовления кофе

10- Адаптер для
 конфорки Wok
 11- Чугунная решетка
 12- Эмалированная
 решетка

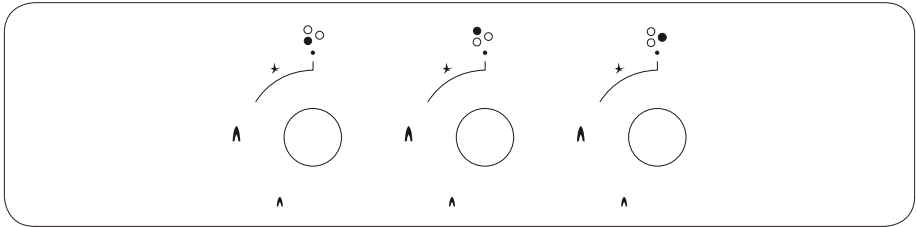
ПУЛЬТЫ УПРАВЛЕНИЯ



Изображение панели плиты 70-90 и 100см



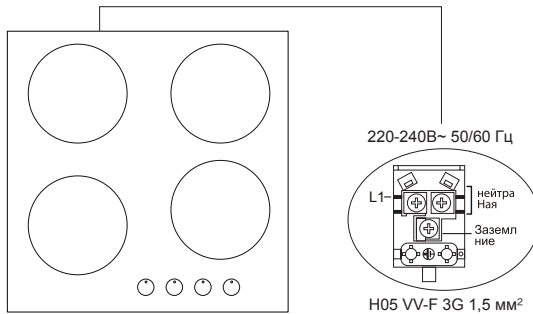
Изображение панели плиты 60см



Изображение панели плиты 45см

СХЕМА ЭЛЕКТРИЧЕСКОГО ПОДКЛЮЧЕНИЯ

Обеспечьте подключение электрической системы плиты авторизованным лицом в соответствии со схемой.



ВАЖНЫЕ ПРЕДУПРЕЖДЕНИЯ

Электрическое соединение и Безопасность

1. Условия настройки этого устройства указаны на этикетке или табличке с данными.

2. Настоящее устройство не соединено с оборудованием для выпуска продуктов горения. Это устройство должно быть подключено в соответствии с инструкциями по монтажу.

3. Необходимо тщательно следить за выполнением условий по вентиляции.

4. Изделие необходимо подключить к предохранителю, соответствующему электрической мощности. При необходимости рекомендуется, чтобы монтаж выполнялся авторизованным сервисом.

5. Ваше устройство настроено на подачу электричества 220-240 V, 50/60Гц.

6. Если параметры главной электрической сети отличаются от указанных, обратитесь в авторизованный сервисный центр.

7. Электрические соединения устройства должны выполняться только в розетках, обладающих соответствующей системой заземления. Если в месте расположения устройства не имеется розеток, соответствующих системе заземления, немедленно обратитесь в авторизованный сервисный центр. Фирма-изготовитель ни в коем случае не несет ответственность за повреждения, возникающие вследствие использования розеток без заземления.

8. Штепсельная вилка устройства должна находиться на расстоянии, позволяющем легко включить ее в заземленную розетку.

9. Не допускайте контакта электрического шнура устройства с горячими частями. Также держите его вдали от острых краев и углов.

10. В случае повреждения силового шнура, он должен быть заменен изготовителем или его сервисным агентством или профессионалом.

11. Неправильное электрическое подключение может нанести вред Вашему устройству. В таком случае устройство не будет обслуживаться в рамках гарантии. Электрическое подключение устройства должно выполняться авторизованным сервисным персоналом.

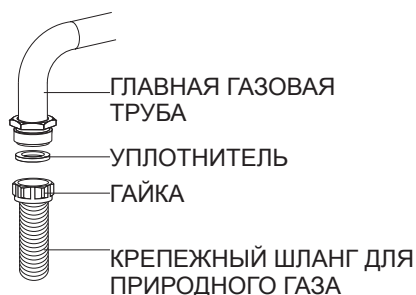
12. Во время эксплуатации плиты некоторые части будут нагреваться. Они могут оставаться горячими некоторое время после выключения переключателя. Следует всегда держать детей вдали от устройства и под присмотром взрослых. Не дотрагивайтесь до поверхности плиты, когда горят предупредительные лампочки. При выключении плиты горячие части предупредительные лампочки будут продолжать указывать на горячие части, представляющие опасность (модели Vitroceran).

Газовое соединение и Безопасность

1. Для подключения LPG (баллонов) наденьте металлический зажим на шланг, идущий от баллона с LPG. Наденьте один конец шланга на входной фитинг за изделием, нагрев его в кипящей воде. Затем установите зажим на конце шланга и затяните с помощью отвертки. Уплотнитель и входной фитинг для шланга, необходимые для соединения, приведены на рисунке.



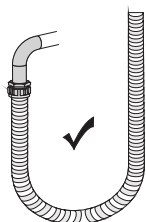
ПРИМЕЧАНИЕ: Регулятор, надеваемый на баллон LPG, должен быть 300 mmSS.



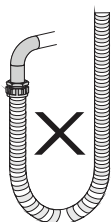
2. Подключение к природному газу должно выполняться авторизованным сервисом. Для подключения природного газа установите уплотнитель внутри гайки на конце крепежного шланга. Для надевания шланга на главную газовую трубу поверните гайку. Проведите проверку на утечку и завершите подключение.



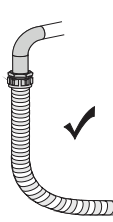
Газовый шланг изделия и электрический кабель не должны проходить рядом с горячими поверхностями, такими как тыльная часть изделия. Газовый шланг следует подключать с учетом широкого диапазона аварийных действий в случае его поломки. Смещение изделия с подключенным газовым соединением может привести к утечке газа.



право



ложный



право



право

3. Подключите Вашу плиту к газовому крану самым кратким путем и соедините его, обеспечивая отсутствие утечки. Для безопасности используемый шланг должен быть минимум 40 см, максимум 125 см.

4. Во время проверки на утечку газа нельзя использовать зажигалку, спички, горящие сигареты или подобные горючие вещества.

5. Нанесите на точку подключения мыльную пену. При наличии утечки на области с нанесенной мыльной пеной будут образовываться пузыри.

6. Если плита будет устанавливаться на шкафу или открывающемся ящике, под плитой необходимо установить панель для защиты от тепла с промежутком минимум 15 мм.

ЕСЛИ ПОД ПЛИТОЙ УСТАНОВЛЕНА ВСТРОЕННАЯ ДУХОВКА;

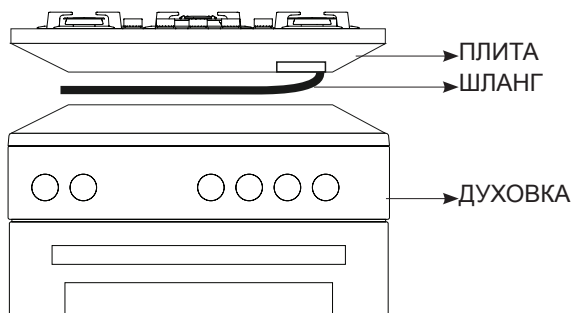


Рис. 1

Газовый шланг не должен касаться духовки, острых краев и углов, его не следует тянуть и сгибать. Подключите газ с правой стороны плиты и, надев зажим, зафиксируйте шланг.

МОНТАЖ ПЛИТЫ НА МЕСТО

1. Демонтируйте с изделия конфорки, шапки конфорок и решетки.
 2. Переверните плиту лицом вниз и положите на ровную поверхность.
 3. Для предотвращения попадания инородных тел и жидкостей между плитой и столешницей нанесите мастику, предоставленную вместе с изделием, по краям нижней части. плиты. По краям следует загнуть мастику до тех пор, пока промежутки в углах не будут заполнены.
 4. Переверните еще раз плиту и установите на столешнице.
 5. Зафиксируйте плиту на столешнице, используя зажим и болты.
- На монтажной схеме, приведенной на следующей странице, показано, как смонтировать плиту.

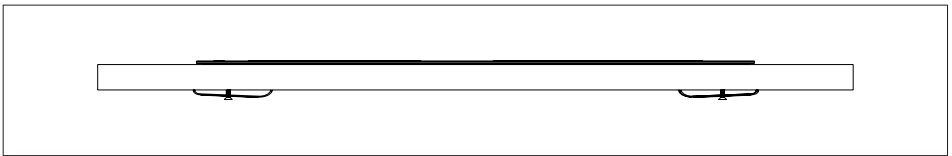
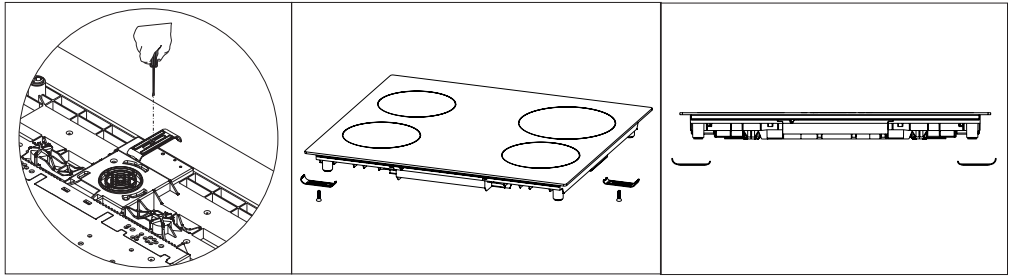
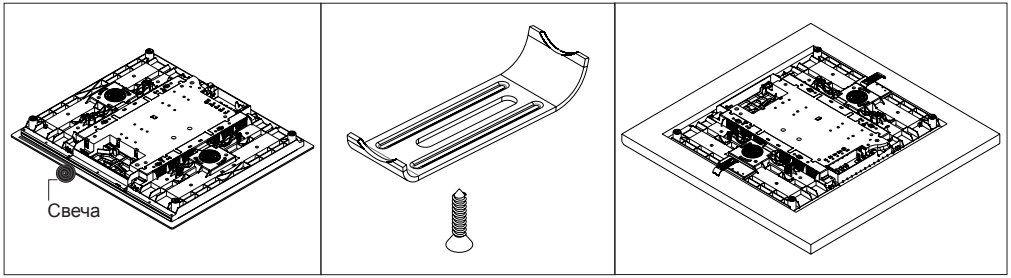


Рис. 2

6. В случае монтажа изделия на выдвигном ящике, если его нижняя часть остается доступной, ее следует отделить деревянной полкой.

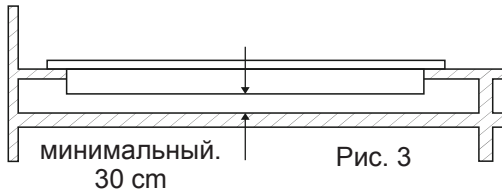


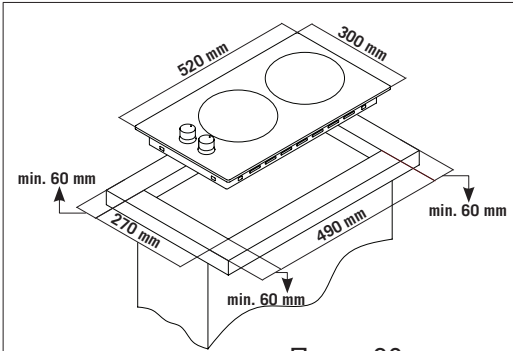
Рис. 3

7. Во время монтажа изделия на шкафу, необходимо установить полку, как показано на рисунке выше, для того, чтобы оградить плиту от шкафа. Если плита монтируется поверх встроенной духовки, в этом нет необходимости.

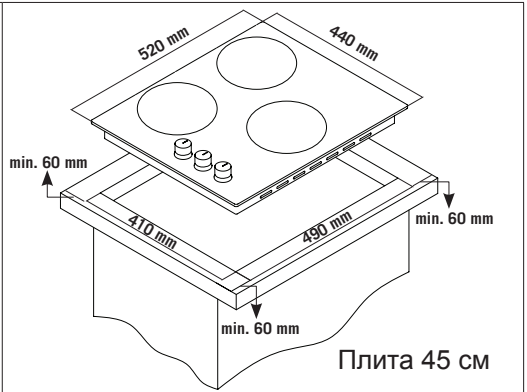
8. Если Ваше изделие монтируется рядом с левой или правой стеной, самое небольшое расстояние между стеной и плитой должно быть 50мм.

РАЗМЕРЫ МЕСТА ПОД ПЛИТУ и УСТАНОВКА ПЛИТЫ

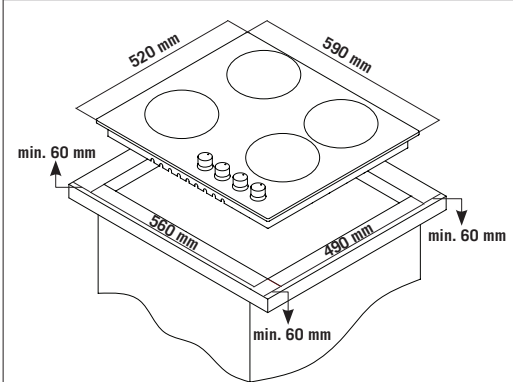
При монтаже плиты и подготовке места для ее монтажа в столешнице следуйте предоставленным размерам.



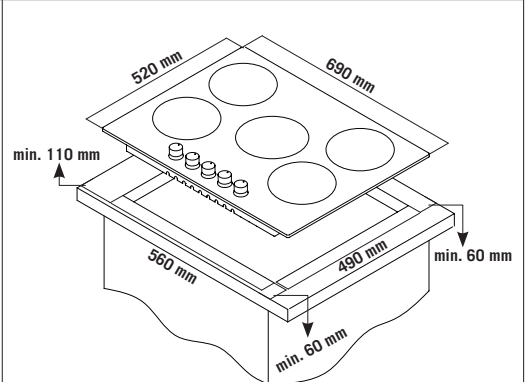
Плита 30 см



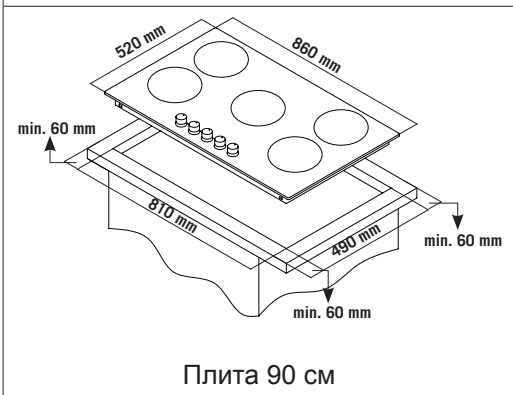
Плита 45 см



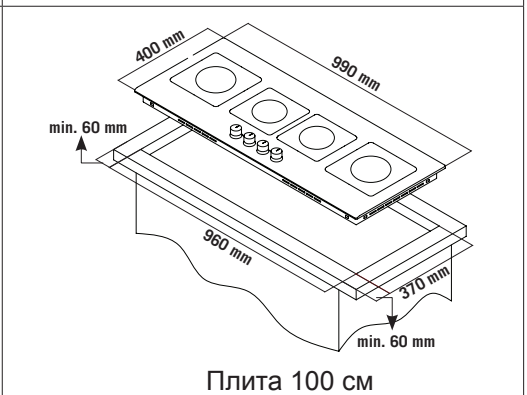
Плита 60 см



Плита 70 см

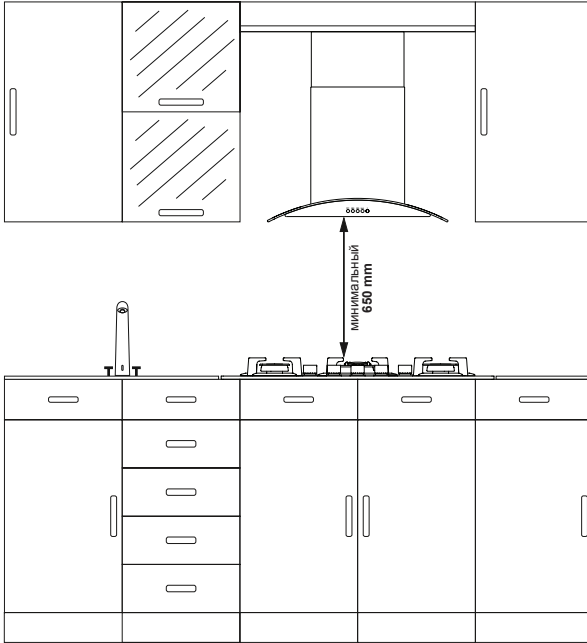


Плита 90 см



Плита 100 см

ПРАВИЛЬНОЕ МЕСТО ДЛЯ МОНТАЖА



Дизайн изделия разработан в соответствии с доступными на рынке столешницами. Между стенами кухни и мебелью следует оставить безопасное расстояние.

Если на верху изделия будет устанавливаться вытяжной колпак/аспиратор, соблюдайте требования изготовителя вытяжного колпака/аспиратора относительно высоты монтажа. (Мин. 65 см).

Промежуток, в котором будет установлена плита на столешнице, должен

соответствовать монтажным размерам плиты.

Во время монтажа изделия следует соблюдать правила, установленные местными стандартами в части электрических работ.

ВЕНТИЛЯЦИЯ ПОМЕЩЕНИЯ

Воздух, необходимый для горения, получают из воздуха помещения и выходящие газы подаются прямо в помещение. Для надежной работы Вашего изделия обязательным условием является хорошая вентиляция помещения. Если в помещении отсутствует какое-либо вентиляционное окно или дверь, необходимо установить дополнительную вентиляцию. Однако при наличии открывающейся непосредственно из комнаты двери, отпадает необходимость в вентиляционных отверстиях.

Величина Помещения	Вентиляционное Отверстие
меньше 5м ³	мин. 100см ²
от 5м ³ до 10м ³	мин. 50см ²
больше 10м ³	не требуется
в подвале или киллерах	мин. 65см ²

ПРЕОБРАЗОВАНИЕ ИЗ ПРИРОДНОГО ГАЗА В LPG И ИЗ LPG В ПРИРОДНЫЙ ГАЗ

1. Отключите газ и электричество от плиты. Если плита является горячей, подождите, пока она остынет.

2. Для замены инжектора пользуйтесь отверткой в форме, приведенной на рисунке 4.

3. Выключите конфорку плиты, как указано на рисунке 5 и, сняв конфорку, обеспечьте различаемость инжектора.

4. Снимите инжектор с помощью отвертки, как указано на Рисунке 6 и замените на новый.

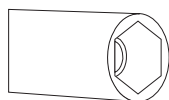


Рис. 4

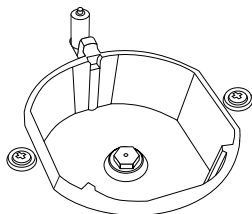


Рис. 5

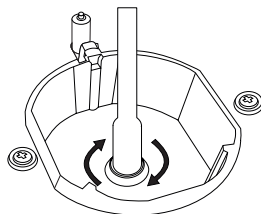


Рис. 6

5. Затем снимите с плиты кнопки управления. Настройте болт посередине газовых кранов, как показано на рисунке, слегка повернув отверткой. Для настройки болта регулирования потока пользуйтесь отверткой соответствующего размера. Для LPG поверните болт по часовой стрелке. Для природного газа поверните болт один раз против часовой стрелки. В низкой позиции длина нормального пламени должна быть 6-7 мм. Во время последнего контроля проверьте, горит ли пламя или нет.

Настройка устройства может меняться в зависимости от типа используемого газового крана.

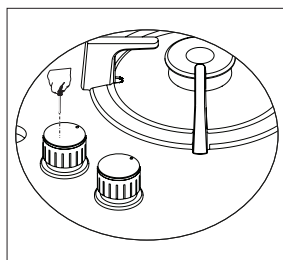


Рис. 7

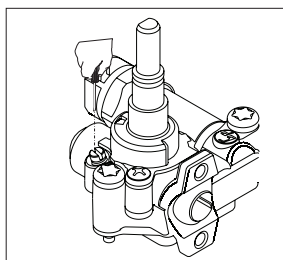


Рис. 8

ЗАЩИТНЫЙ МЕХАНИЗМ ОТКЛЮЧЕНИЯ ГАЗА (FFD)

Для защиты от возможного затухания в результате переливания жидкости в верхних конфорках, включается защитный механизм и немедленно отключает газ.

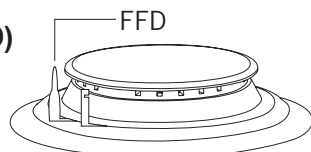


Рис. 9

ЭКСПЛУАТАЦИЯ ПЛИТЫ

Эксплуатация газовой плиты

1. Перед началом эксплуатации плиты убедитесь в том, что крышки конфорок находятся в правильном положении. Правильное расположение крышек конфорок приведено на рисунке ниже.

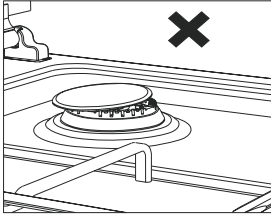


Рис. 10

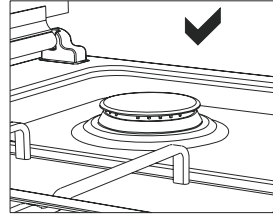


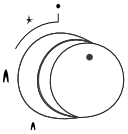


Рис. 11

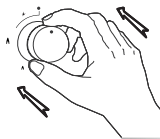
2. Газовые краны обладают специальным блокиратором. Поэтому для включения конфорки нажмите кнопку и удерживайте ее в нажатом положении во время открытия или закрытия крана.

- Закрыто
-  Полностью открыт
-  Половина открыт

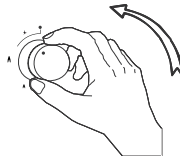
3. В моделях с автоматическим запалом запал производится посредством электричества. Поэтому перед началом эксплуатации изделия убедитесь в том, что оно подключено к электрической сети. В этих моделях запал осуществляется следующим образом.



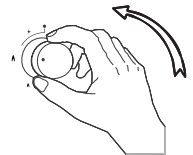
Кран плиты находится в закрытом положении.



Для того, чтобы зажечь плиту, вначале нажмите на кнопку.



Когда кнопка находится в нажатом положении, зажигалка включается и происходит запал.



Удерживая кнопку в нажатом состоянии и поворачивая влево, можно обеспечить горение с требуемой величиной пламени.

4. Следите за тем, чтобы решетки были плотно установлены на плите. Неустановленная на месте решетка может вызвать разлив находящихся на ней материалов.

5. В моделях, обладающих предохранительной системой от затухания газа, после тушения пламени в соответствии с инструкцией выше, не отпуская руки от кнопки, удерживайте её в течение 5-10 минут. Защитный механизм вступает в силу в течение этого времени и обеспечит рабочее состояние плиты. Для защиты от затухания газа, в случае затухания пламени плиты по какой-либо причине, газовый кран автоматически отключает газ, поступающий к конфорке плиты.

6. Во время использования приспособления для кофеварки, предоставленным вместе с плитой, убедитесь в том, что опоры устройства плотно установлены на решетке плиты и устройство стоит в центре конфорки. Используйте приспособление только с маленькой конфоркой.

7. При эксплуатации газовой плиты, пользуйтесь по возможности кастрюлями с длинными ручками, плотно устанавливаемыми на поверхности плиты. Это обеспечит Вам более эффективный расход энергии. На таблице ниже приведены диаметры кастрюль, рекомендуемых для использования с соответствующими конфорками.

ДИАМЕТР ГОРШОК

СТЕКЛЯННЫЕ ВАРОЧНЫЕ ПАНЕЛИ						
	Домино	45см. Плита	60см. Ручное Управление	60см. Контроль Передние	70см. Контроль Передние	90см. Контроль Передние
Небольшой Горелка	12-18см	12-18см	12-18см	12-18см	12-18см	12-18см
Обычная Горелка	---	18-20см	18-20см	18-20см	18-20см	18-22см
Большой Горелка	18-24см	22-24см	22-24см	22-24см	22-24см	22-26см
WOK Горелка	24-26см	---	24-26см	24-26см	24-26см	26-30см

МЕТАЛЛИЧЕСКИЕ ПЕЧИ						
	Домино	45см. Плита	60см. Ручное Управление	60см. Контроль Передние	70см. Контроль Передние	90см. Контроль Передние
Небольшой Горелка	12-18см	12-18см	12-18см	12-18см	12-18см	12-18см
Обычная Горелка	---	18-20см	18-20см	18-20см	18-20см	18-22см
Большой Горелка	18-22см	22-24см	22-26см	22-24см	22-24см	22-26см
WOK Горелка	24-26см	24-26см	24-26см	24-26см	24-26см	26-32см



Пот, которые будут использоваться в продукте должны иметь минимальный диаметр 120 мм.

ГОРЕЛКА WOK

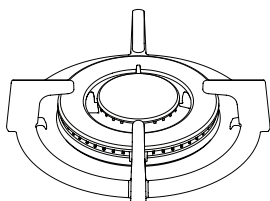


Рис. 12

Конфорка Wok обеспечивает быстрое приготовление пищи. Она обладает системой пламени с двойными кольцами, что обеспечивает равномерное распределение тепла по дну кастрюли. Является идеальной для быстрого приготовления пищи при высокой температуре. При желании использовать на конфорке Wok обычную кастрюлю, необходимо снять с плиты подставку для кастрюли Wok.

ИСПОЛЬЗОВАНИЕ ПОРТАТИВНЫХ НАГРЕВАТЕЛЕЙ

Электрические плиты можно включить, повернув кнопку на панели управления до требуемого уровня. Мощность плиты в зависимости от уровня приведена в таблице ниже.

	УРОВЕНЬ 1	УРОВЕНЬ 2	УРОВЕНЬ 3	УРОВЕНЬ 4	УРОВЕНЬ 5	УРОВЕНЬ 6
Ø80мм	200Вт	250Вт	450Вт	----	----	----
Ø145мм	250Вт	750Вт	1000Вт	----	----	----
Ø180мм	500Вт	750Вт	1500Вт	----	----	----
Ø145мм Быстрая	500Вт	1000Вт	1500Вт	----	----	----
Ø180мм Быстрая	850Вт	1150Вт	2000Вт	----	----	----
Ø145мм	95Вт	155Вт	250Вт	400Вт	750Вт	1000Вт
Ø180мм	115Вт	175Вт	250Вт	600Вт	850Вт	1500Вт
Ø145мм Быстрая	135Вт	165Вт	250Вт	500Вт	750Вт	1500Вт
Ø180мм Быстрая	175Вт	220Вт	300Вт	850Вт	1150Вт	2000Вт

ТЕХНИЧЕСКОЕ ОБСЛУЖИВАНИЕ И ЧИСТКА

Перед тем, как начать техническое обслуживание или чистку, вначале вытяните из розетки штепсельную вилку, обеспечивающую поступление электричества к плите и закройте газовый кран. Если плита является горячей, подождите, пока она остынет.

1. Для того, чтобы обеспечить долговечность плиты и её экономичность, необходимо регулярно проводить её очистку и техническое обслуживание.

2. Для очистки плиты не пользуйтесь такими твердыми приспособлениями, как жесткая щетка, проволочная губка или нож.

Не используйте абразивные, царапающие предметы, кислоты или моющие средства.

3. Протрите части плиты мыльной тканью и прополощите водой, а затем тщательно обсушите мягкой тканью.

4. Очищайте стеклянные поверхности специальными средствами для чистки стекол. Царапины на стеклянных поверхностях вызывают трещины, поэтому для их очистки не пользуйтесь абразивными чистящими веществами или острыми металлическими скребками.

5. Не очищайте плиту паровыми очистителями.

6. Промойте каналы и крышки конфорок мыльной водой и очистите газовые каналы с помощью щетки.

7. Для чистки плиты никогда не пользуйтесь кислотой, растворителем и керосином и другими горючими веществами.

8. Не мойте пластиковые и алюминиевые части плиты в посудомоечной машине.

9. Как можно быстрее очищайте плиту от разлившихся на ее поверхности уксуса, лимонного сока, соли, колы и других кислотных и щелочных веществ.

10. Со временем кнопки плиты могут с трудом поворачиваться или не поворачиваться вообще, в таком случае их следует заменить. Замена должна осуществляться только авторизованным сервисом.

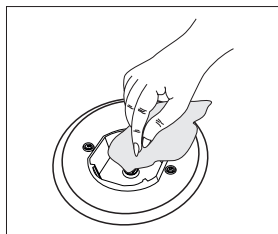


Рис. 13

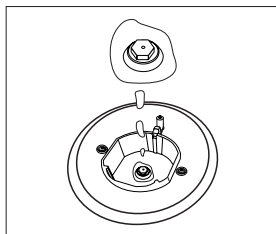


Рис. 14

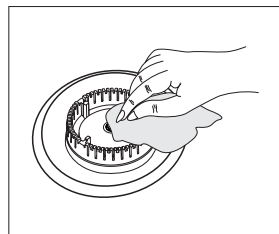


Рис. 15

ПРОБЛЕМЫ И РЕКОМЕНДАЦИИ ПО ИХ УСТРАНЕНИЮ

Перед тем, как вызвать технический сервис, попробуйте воспользоваться следующими рекомендациями для устранения проблем.

Если плита не работает;

- Проверьте, вставлена ли штепсельная вилка электрического шнура в розетку.

- Проверьте безопасными способами наличие электричества в сети.
- Проверьте предохранители.
- Проверьте наличие повреждений электрического шнура.
- Проверьте, открыт ли главный газовый кран.
- Проверьте газовый шланг на наличие перекручивания или разломов.
- Убедитесь в правильности подключения газового шланга к плите.
- Проверьте использован ли для плиты подходящий газовый кран.

(Проводите периодический осмотр.)

Если зажигалка не работает;

- Проверьте, вставлена ли штепсельная вилка электрического шнура в розетку.

- Тщательно очистите концы и корпуса штекеров запала конфорок веществом для удаления грязи. Убедитесь в том, что каналы конфорок являются открытыми и чистыми.

НАСТРОЙКА ГАЗОВЫХ ПЛИТ В ЗАВИСИМОСТИ ОТ ТИПА ГАЗА

Вид газа, вырабатываемого устройством (LPG или Природный газ), указан на табличке с описанием технических характеристик. Если настройка типа газа устройства не соответствует типу сети, необходимо произвести настройку с помощью специалиста. В нижеуказанной таблице приведены значения инжектора, потока газа и значения силы в зависимости от типа газа. При внесении изменений специалистом необходимо принимать во внимание эту таблицу.

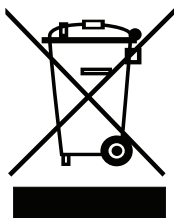
ИНЖЕКТОР, ПОТРЕБЛЕНИЕ И МОЩНОСТЬ ТАБЛИЦА

СООТВЕТСТВИЕ ДИАМЕТРОВ ИНЖЕКТОРОВ ТИПУ ГАЗА	G20,20 mbar G25,25 mbar			G20,25 mbar		G20,13 mbar	
	Природный Газ			Природный Газ		Природный Газ	
Wok Горелка	Инжектор	1,40	мм	1,28	мм	1,60	мм
	Потребление	0,333	м³/ч	0,333	м³/ч	0,333	м³/ч
	Мощность	3,50	кВт	3,50	кВт	3,50	кВт
Большая Горелка	Инжектор	1,15	мм	1,10	мм	1,45	мм
	Потребление	0,276	м³/ч	0,276	м³/ч	0,276	м³/ч
	Мощность	2,90	кВт	2,90	кВт	2,90	кВт
Средняя Горелка	Инжектор	0,97	мм	0,92	мм	1,10	мм
	Потребление	0,162	м³/ч	0,162	м³/ч	0,162	м³/ч
	Мощность	1,70	кВт	1,70	кВт	1,70	кВт
Малая Горелка	Инжектор	0,72	мм	0,70	мм	0,85	мм
	Потребление	0,96	м³/ч	0,96	м³/ч	0,96	м³/ч
	Мощность	0,95	кВт	0,95	кВт	0,95	кВт

ИНЖЕКТОР, ПОТРЕБЛЕНИЕ И МОЩНОСТЬ ТАБЛИЦА

СООТВЕТСТВИЕ ДИАМЕТРОВ ИНЖЕКТОРОВ ТИПУ ГАЗА	G30,28-30 mbar G31,37 mbar			G30,50 mbar		G30,37 mbar	
	LPG			LPG		LPG	
Wok Горелка	Инжектор	0,96	мм	0,76	мм	0,96	мм
	Потребление	254	м³/ч	254	м³/ч	254	м³/ч
	Мощность	3,50	кВт	3,50	кВт	3,50	кВт
Большая Горелка	Инжектор	0,85	мм	0,75	мм	0,85	мм
	Потребление	211	м³/ч	211	м³/ч	211	м³/ч
	Мощность	2,90	кВт	2,90	кВт	2,90	кВт
Средняя Горелка	Инжектор	0,65	мм	0,60	мм	0,65	мм
	Потребление	124	м³/ч	124	м³/ч	124	м³/ч
	Мощность	1,70	кВт	1,70	кВт	1,70	кВт
Малая Горелка	Инжектор	0,50	мм	0,43	мм	0,50	мм
	Потребление	69	м³/ч	69	м³/ч	69	м³/ч
	Мощность	0,95	кВт	0,95	кВт	0,95	кВт

УТИЛИЗАЦИЯ С УЧЕТОМ ЭКОЛОГИЧЕСКИХ ТРЕБОВАНИЙ



Утилизируйте упаковку с учетом требований по охране окружающей среды.

Данное устройство маркировано в соответствии с требованиями Директивы ЕС 2012/19/EU по утилизации использованных электрических и электронных устройств (утилизация электрического и электронного оборудования WEEE). Здесь указаны требования по возврату и переработке использованных устройств, применимые во всех странах Европейского Союза.

ИНФОРМАЦИЯ ОБ УПАКОВКЕ

Упаковочные материалы холодильника изготовлены из материалов, подлежащих вторичной переработке, в соответствии с местными нормативами и правилами касательно защиты окружающей среды. Не утилизируйте упаковочные материалы вместе с бытовыми или другими отходами. Сдайте их на пункт сбора упаковочных материалов, определенный местными властями.