



ИНСТРУКЦИЯ ПО ЭКСПЛУАТАЦИИ



ВСТРАИВАЕМЫЕ ЭЛЕКТРИЧЕСКИЕ
ДУХОВЫЕ ШКАФЫ



45 cm

RU

ENG

Dear Customer,

Thank you for relying on this product.

We aim to allow you to optimally and efficiently use this environment-friendly product produced in our modern facilities under precise conditions with respect to sense of quality in total.

We advise you to read these operating manual thoroughly before using the oven and keep it permanently so that the features of the built-in oven you have purchased will stay the same as the first day for a long time.

NOTE:

This Operating Manual is prepared for multiple models. Your appliance may not feature some functions specified in the manual.

The product images are schematic.

This product has been produced in modern environment-friendly facilities without adversely affecting nature.

Products marked with (*) are optional.

"Complies with WEEE Regulation"

CONTENTS

Important Warnings.....	4
Introducing The Appliance.....	6
Technical Specifications.....	7
Installation Of Appliance.....	7
Important Warnings.....	13
Control Panel.....	14
Program Types.....	16
Cooking Recommendations.....	17
Cooking Table.....	17
Using The Oven.....	18
Replacing Oven Lamp.....	19
Cleaning And Mounting Oven Door.....	20
Maintenance And Cleaning.....	21
Cleaning Oven Glass.....	21
Accessories.....	22
Troubleshooting.....	23
Environmentally-Friendly Disposal.....	23
Package Information.....	23

IMPORTANT WARNINGS

- 1. WARNING:** To avoid electric shock, ensure that the appliance circuit is open before changing the lamp.
- 2. WARNING:** All supply circuit connections must be disconnected before accessing terminals.
- 3. WARNING:** The accessible parts may be hot during use of grid. Children must be kept away.
- 4. WARNING:** Fire hazard; do not store materials on cooking surface.
- 5. WARNING:** If the surface is cracked, open the appliance circuit to avoid risk of electric shock.
- 6. WARNING:** Appliance and its accessible parts are hot during operation.
7. Setting conditions of this appliance are specified on the label.(Or on the data plate)
8. Accessible parts might be hot during use of grill. Small children should be kept away.
- 9. WARNING: Appliance is intended for cooking only. It should not be used for other purposes like heating a room.**
10. There are additional protective tools avoiding contact with oven doors. This part must be attached when it's likely that there are children around.
11. Do not use steam cleaners to clean the appliance.
12. NEVER try to put out the fire with water. Only shut down the appliance circuit and then cover the flame with a cover or a fire blanket.

13. Hard and abrasive cleaners or hard metal scrapers should not be used to clean the oven glass door, as these can scratch the surface and cause breaking.

14. Ensure that door is fully closed after food is placed.

15. Children under 8 years of age should be kept away, if they cannot be monitored continuously.

16. Touching the heating elements should be avoided.

17. This appliance can be used by children over 8 years of age, people with physical, hearing or mental challenges or people with lack of experience or knowledge; as long as control is ensured or information is provided regarding the dangers.

18. The appliance hasn't been designed for operation with an external time or a separate remote control system.

19. This device has been designed for domestic use.

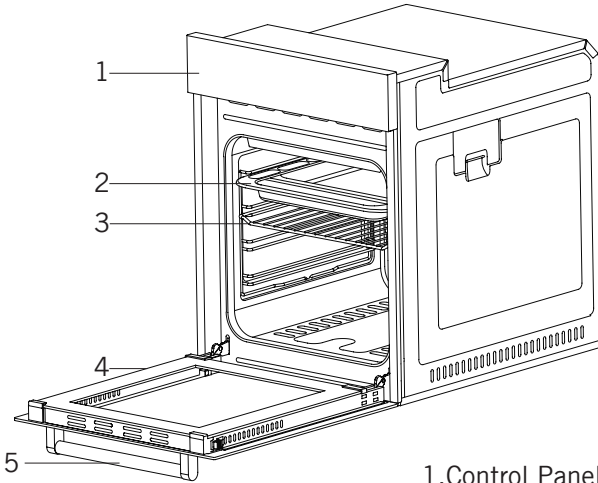
20. Cleaning and user maintenance can't be made by children without adult supervision.

21. Children must not play with the appliance. Cleaning and user maintenance shouldn't be made by children unless they are older than 8 years old and under adult supervision.

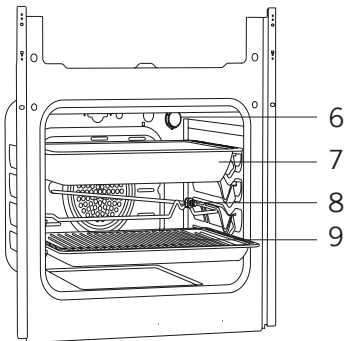
22. Make sure that children at and under 8 can't reach appliance and appliance cable.

23. Keep curtains, tissue paper or combustible (flammable) materials away from appliance before starting to use it. Do not place flammable or combustible materials in or on the appliance.

INTRODUCING THE APPLIANCE



1. Control Panel
2. Standard Tray
3. Wire Grill
4. Oven Door
5. Handle



6. Lamp
7. Deep Tray *
8. Roast Chicken Skewer *
9. In Tray Wire Grill *

TECHNICAL SPECIFICATIONS

SPECIFICATIONS	45 cm Built-In Oven
Lamp Power	15W
Thermostat	40-240 / Max °C
Lower Heater	1000W
Upper Heater	800W
Turbo Heater	1800W
Grill Heater	1500W
Supply Voltage	220V-240V 50/60 Hz

Technical specifications can be changed without prior notice to improve product quality.

The values provided with the appliance or its accompanying documents are laboratory readings in accordance with the respective standards. These values may differ depending on the use and ambient conditions.

Figures in this guide are schematic and may not be exactly match your product.

INSTALLATION OF APPLIANCE

Ensure that electrical installation is suitable for operationalising the appliance. If not, call an electrician and plumber to make necessary arrangements. Manufacturing firm can't be hold responsible for damages to arise due to operations by unauthorized people and product warranty becomes void.

WARNING: It is customer's responsibility to prepare the location the product shall be placed on and also have power utility prepared.

WARNING: The rules about electrical local standards must be adhered to during product installation.

WARNING: Check for any damage on the product before installing it. Do not have product installed if it's damaged. Damaged products pose danger for your safety.

Important Warnings for Installation:

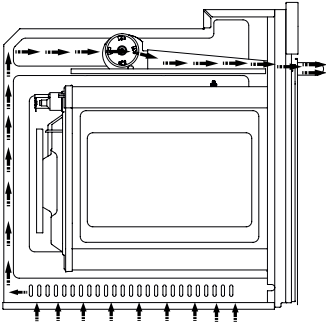


Figure 1

Cooling fan shall take extra steam out and prevent outer surfaces of appliance from overheating during operation of oven. This is a necessary condition for better appliance operation and better cooking.

Cooling fan shall continue operation after cooking is finished. Fan shall automatically stop after cooling is completed.

A clearance must be left behind the enclosure where you'll place the appliance for efficient and good operation. This clearance shouldn't be ignored as it's required for ventilation system of the appliance to operate.

Right Place For Installation

Product has been designed to be mounted to worktops procured from market. A safe distance must be left between the product and kitchen walls or furniture. See the drawing provided on the next page for proper distances. (values in mm).

- Used surfaces, synthetic laminates and adhesives must be heat resistant. (minimum 100°C).
- Kitchen cupboards must be level with product and secured.
- If there is a drawer below the oven, a rack must be placed between oven and drawer.

WARNING: Do not install the product next to refrigerators or coolers. The heat emitted by the product increases the energy consumption of cooling devices.

WARNING: Do not use door and/or handle to carry or move the product.

45 cm Built-In Oven Installation and Mounting

Place of use for product must be located before starting installation.

Product mustn't be installed in places which are under the effect of strong air flow.

Carry the product with minimum two people. Do not drag the product so that floor isn't damaged.

Remove all transportation materials inside and outside the product. Remove all materials and documents in the product.

Installation Under Counter

Cabin must match the dimensions provided in Figure 2.

A clearance must be provided at the rear part of the cabin as indicated in the figure so that necessary ventilation can be achieved.

After mounting, the clearance between lower and upper part of the counter is indicated in Figure 5 with "A". It's for ventilation and shouldn't be covered.

Installation In An Elevated Cabinet

Cabin must match the dimensions provided in Figure 4.

The clearances with the dimensions indicated in the figure must be provided at the rear part of cabin, upper and lower sections so that necessary ventilation can be achieved.

Installation Requirements

Product dimensions are provided in the Figure 3.

Furniture surfaces for mounting and mounting materials to be used must have a minimum temperature resistance of 100 °C.

Mounting cabin must be secured and its floor must be plane for product not to tilt over.

Cabin floor must have a minimum strength that would handle a load of 60 kg.

Placing and Securing the Oven

Place the oven into the cabin with two or more people.

Ensure that oven's frame and front edge of the furniture match uniformly.

Supply cord mustn't be under the oven, squeeze in between oven and furniture or bend.

Fix the oven to the furniture by using the screws provided with the product. Screws must be mounted as shown in Figure 5 by passing them through plastics attached to frame of the product. Screws mustn't be overtightened. Otherwise, screw sockets might be worn.

Check that oven doesn't move after mounting. If oven isn't mounted in accordance with instructions, there is a risk of tilt over during operation.

Electrical Connection

Mounting place of the product must have appropriate electrical installation.

Network voltage must be compatible with the values provided on type label of product.

Product connection must be made in accordance with local and national electrical requirements.

Before starting the mounting disconnect network power. Do not connect the product to network until its mounting is completed.

Mounting

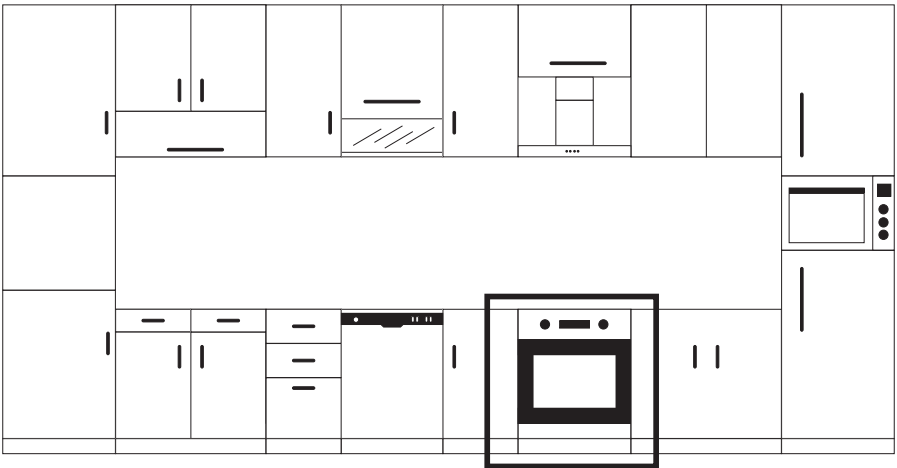


Figure 2

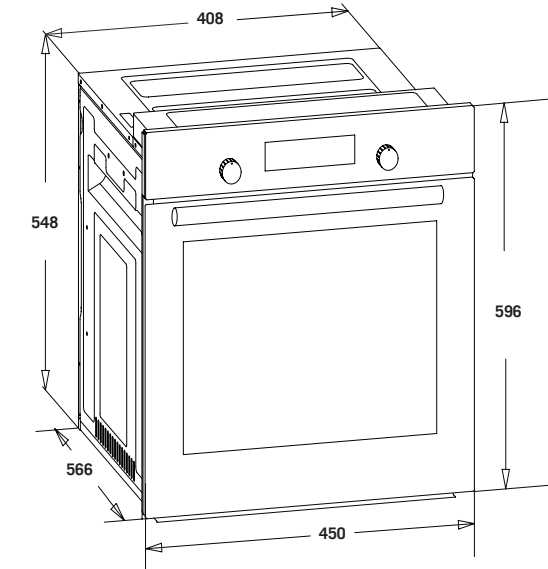
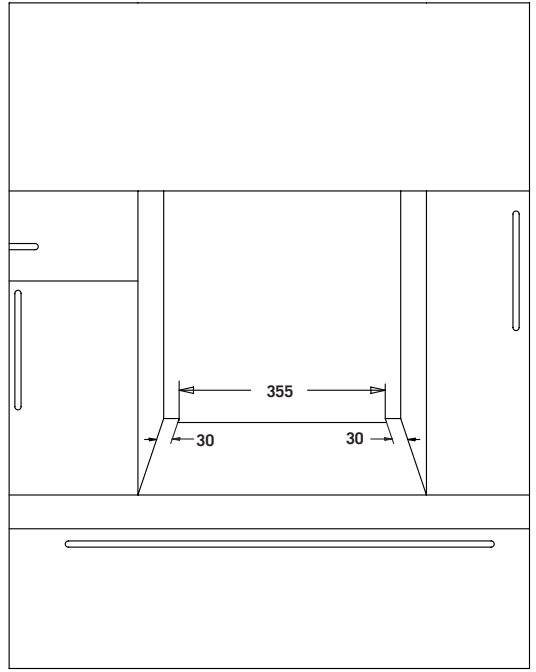
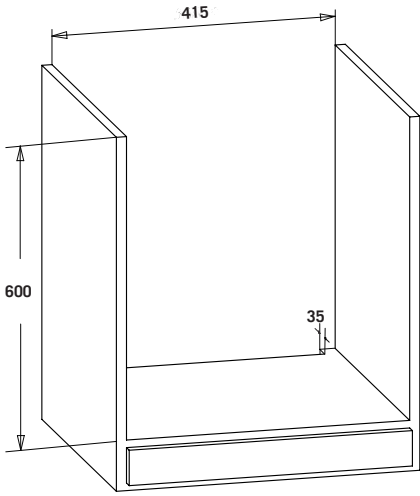


Figure 3

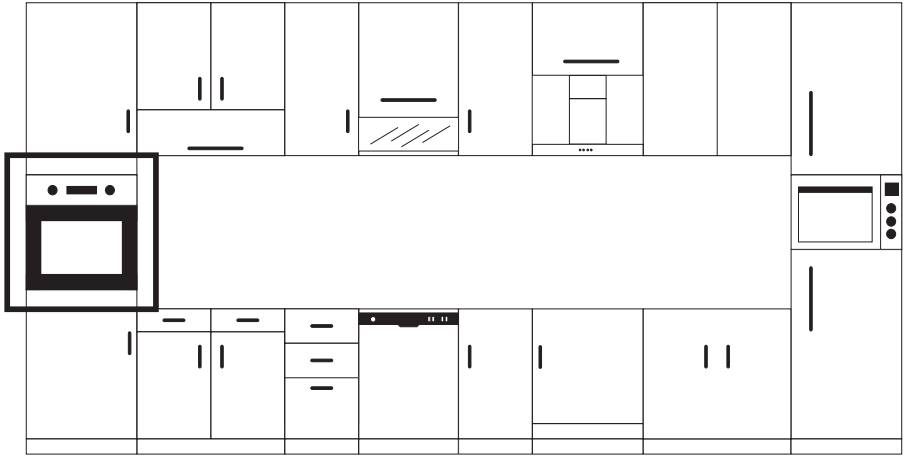
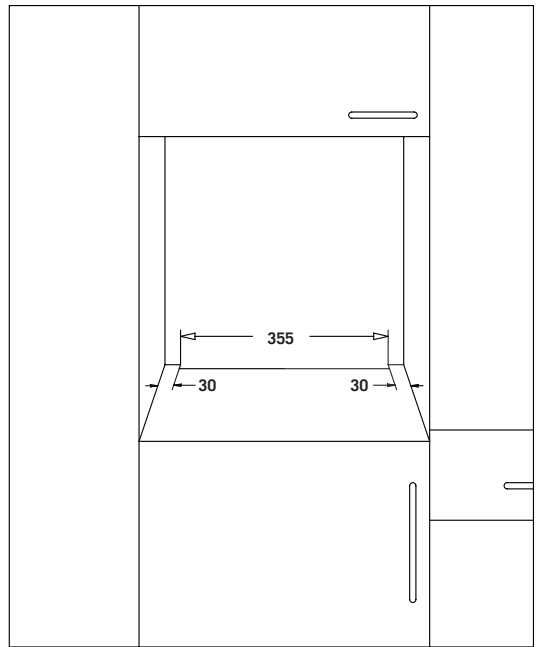
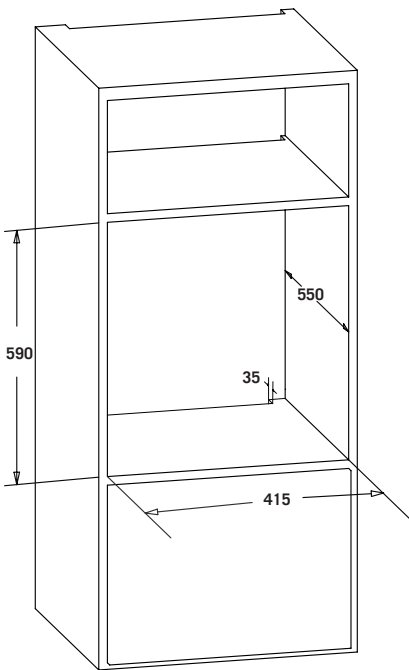


Figure 4



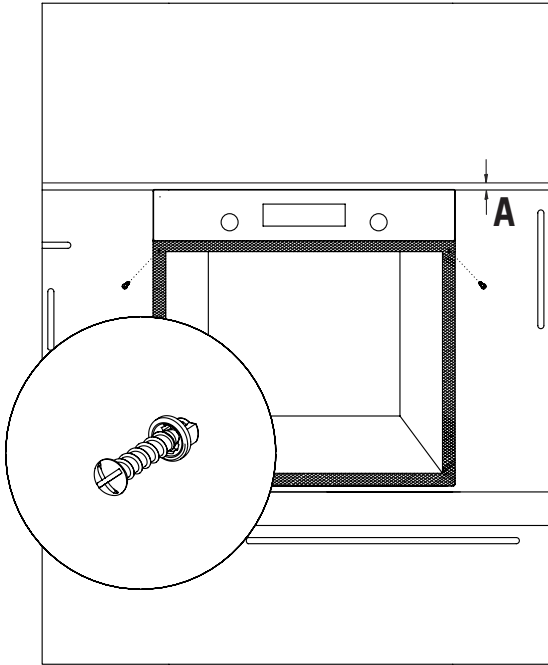


Figure 5

IMPORTANT WARNINGS

Electrical Connection and Safety

This oven must be installed and connected to its place correctly according to manufacturer instructions and by an authorized service.

Appliance must be installed in an oven enclosure providing high ventilation.

Electrical connections of the appliance must be made only via sockets having earth system furnished in compliance with rules. Contact an authorized electrician if there is no socket complying with the earthed system at where appliance will be placed. Manufacturing company is by no means responsible for damage resulting from connection of non-earthed sockets to appliance.

Plug of your oven must be earthed; ensure that socket for the plug is earthed. Plug must be located in a place that can be accessed after installation.

Your oven has been manufactured as 220-240 V 50/60 Hz. AC power supply compliant and requires a 16 Amp fuse. If your power network is different that these indicated values, refer to an electrician or your authorized service.

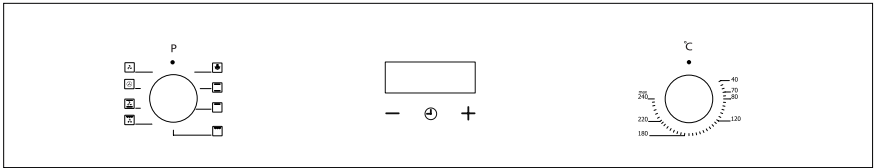
When you need to replace the electrical fuse, please ensure that electrical connection is made as follows:

- Phase (to live terminal) brown cable
- Blue cable to neutral terminal
- Yellow-green cable to earth terminal

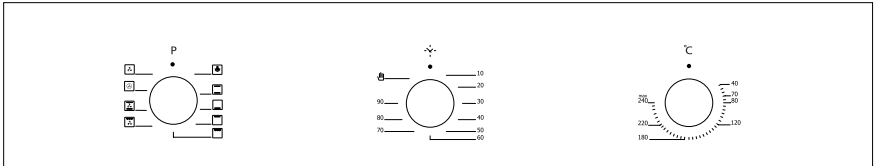
Oven disconnecting switches must be in an accessible place for final user while oven is in its place.

Power supply cable (plug in cable) mustn't touch hot parts of the appliance. If supply cord (plug in cable) is damaged, this cord must be replaced by the importer or its service agent or an equally competent personnel to prevent a hazardous situation.

CONTROL PANEL



Digital Panel Visual



Mechanical Panel Visual

Adjustment can be made only when button is popped for models with pop-up button.

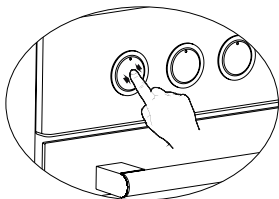


Figure 6 *

Make sure that button is popped by pressing on the button as shown in the figure at left side.

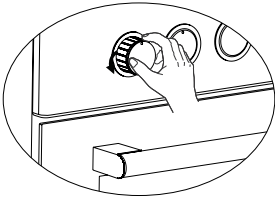


Figure 7*

You can make necessary adjustments by turning right or left when button is popped enough.

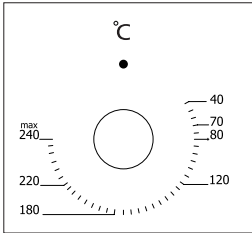


Figure 8

Thermostat Button: Helps to set cooking temperature of the food to be cooked in the oven. You can set the desired temperature by turning the button after placing the food into the oven. Check cooking table related to cooking temperatures of different foods.

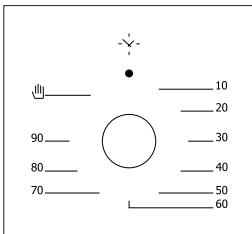


Figure 9

***Mechanical Timer Button:** Helps to set time for the food to be cooked in the oven. Timer de-energizes the heaters when set time expires and warns you by ringing. See cooking table for cooking times.

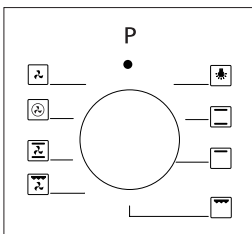













Figure 10

Program Button: Helps to set with which heaters the food placed in oven will be cooked. Heater program types in this button and their functions are stated below. Every model might not have all heater types and thus program types of these heaters.

PROGRAM TYPES

Heating program types in your appliance and important explanations of them are provided below for you can cook different foods appealing to your taste.

	Lower and Upper Heating Elements		Fan
	Lower Heating Element and Fan		Turbo Heater and Fan
	Grill and Roast Chicken		Lower-Upper Heating Element and Fan
	Upper Heating Element and Fan		Grill and Fan
	Lower Heating Element		Grill
	Upper Heating Element		

Lower heating element: Select this program towards end of cooking time if lower part of the food cooked will be roasted.

Upper heating element: Used for post heating or roasting very little pieces of foods.

Lower and upper heating elements: A program that can be used for cooking foods like cake, pizza, biscuit and cookie.

Lower heating element and fan: Use mostly for cooking foods like fruit cake.

Lower and upper heating element and fan: The program suitable for cooking foods like cakes, dried cakes, lasagne. Suitable for cooking meat dishes, as well.

Grill: Grill cooker is used for grilling meat like foods such as steak, sausage and fish. While grilling, tray should be placed in the lower rack and water must be placed in it.

Turbo heater and fan: Suitable for baking and roasting. Keep heat setting lower than "Lower and Upper Heater" program since heat is conveyed immediately via air flow.

Grill and fan: Suitable for cooking meat type foods. Do not forget to place a cooking tray in a lower rack inside the oven and a little water in it while grilling.

COOKING RECOMMENDATIONS

You can find in the following table the information of food types which we tested and identified their cooking values in our labs. Cooking times can vary depending on the network voltage, quality of material to be cooked, quantity and temperature. Dishes to cook by using these values might not appeal to your taste. You can set various values for obtaining different tastes and results appealing to your taste by making tests.

WARNING: Oven must be preheated for 7-10 minutes before placing the food in it.

COOKING TABLE

Food	Cooking Function	Cooking Temperature (°C)	Cooking Rack	Cooking Time (min.)
Cake	Static / Static+Fan	170-180	2-3	35-45
Small Cake	Static / Turbo+Fan	170-180	2	25-30
Pie	Static / Static+Fan	180-200	2	35-45
Pastry	Static	180-190	2	20-25
Cookie	Static	170-180	2	20-25
Apple Pie	Static / Turbo+Fan	180-190	1	50-70
Sponge cake	Static	200/150*	2	20-25
Pizza	Static Fan	180-200	3	20-30
Lasagne	Static	180-200	2-3	25-40
Meringue	Static	100	2	50
Grilled Chicken**	Grill+Fan	200-220	3	25-35
Grilled Fish**	Grill+Fan	200-220	3	25-35
Calf Steak**	Grill+Fan	Max	4	15-20
Grilled Meatball**	Grill+Fan	Max	4	20-25

* Do not preheat. First half of cooking time is recommended to be at 200°C de while the other half at 150°C.

** Food must be turned after half of the cooking time.

USING THE OVEN

Initial Use of Oven

Here are the things you must do at first use of your oven after making its necessary connections as per instructions:

1. Remove labels or accessories attached inside the oven. If any, take out the protective folio on front side of the appliance.
2. Remove dust and package residues by wiping inside of the oven with a damp cloth. Inside of oven must be empty. Plug the cable of appliance into the electrical socket.
3. Set the thermostat button to the highest temperature (240 Max. °C) and run the oven for 30 minutes with its door closed. Meanwhile a slight smoke and smell might occur and that's a normal situation.
4. Wipe inside of the oven with a slightly warm water with detergent after it becomes cold and then dry with a clean cloth. Now you can use your oven.

Normal Use of Oven

1. Adjust thermostat button and temperature at which you want to cook the food to start cooking.
2. You can set cooking time to any desired time by using the button at models with mechanical timer. Timer will de-energize heaters when time expired and provide warning beep as ringing.
3. Timer turns the heaters off and provides audible signal when cooking time expires in line with the information entered in the models with digital timer.
4. Cooling system of the appliance will continue to operate after cooking is completed. Do not cut the power of appliance in this situation which is required for appliance to cool down. System will shut down after cooling is completed.

REPLACING OVEN LAMP

WARNING: To avoid electric shock, ensure that the appliance circuit is open before changing the lamp. (having circuit open means power is off)

First disconnect the power of appliance and ensure that appliance is cold.

Remove the glass protection by turning as indicated in the figure on the left side. If you have difficulty in turning, then using plastic gloves will help you in turning.

Then remove the lamp by turning, install the new lamp with same specifications. Lamp specifications must be as follows;

-220-240 V 50/60 Hz AC

-15 W,

-Type E14

Reinstall glass protection, plug the power cable of appliance into electrical socket and complete replacement. Now you can use your oven.

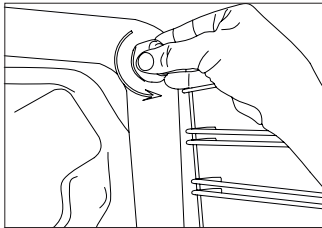


Figure 11

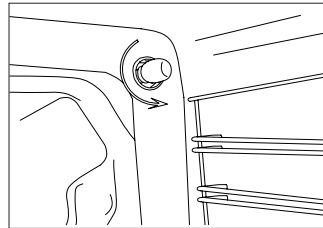


Figure 12

CLEANING AND MOUNTING OVEN DOOR

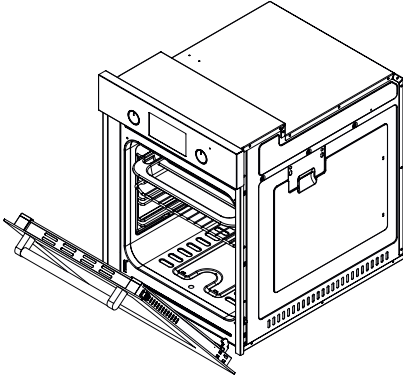


Figure 13

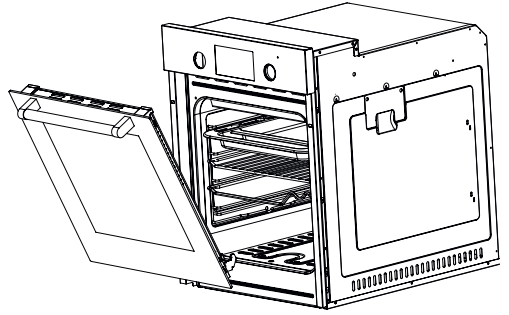


Figure 14

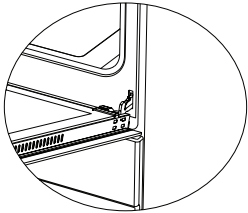


Figure 13.1

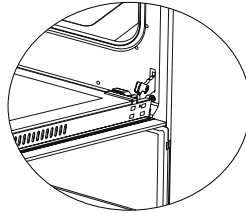


Figure 13.2

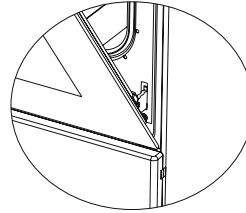


Figure 14.1

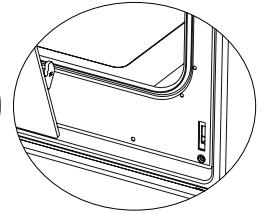


Figure 14.2

Open the door fully by pulling the oven door toward yourself. Then perform unlock operation by pulling the hinge lock upwards with the aid of screwdriver as indicated in **Figure 13.1**.

Set the hinge lock to the widest angle as in **Figure 13.2**. Adjust both hinges connecting oven door to the oven to the same position.

Later, close the opened oven door so that it will be in a position to contact with hinge lock as in **Figure 14.1**.

For easier removal of oven door, when it comes close to closed position, hold the cover with two hands as in **Figure 14.2** and pull upwards.

Reversely perform respectively what you did while opening door to reinstall oven door back.

MAINTENANCE AND CLEANING

1. Remove the power plug from electrical socket.
2. Do not clean inner parts, panel, trays and other parts of the product with hard tools such as bristle brush, wire wool or knife. Do not use abrasive, scratching materials or detergent.
3. Rinse after wiping the parts at inner parts of the product with soapy cloth, then dry thoroughly with a soft cloth.
4. Clean glass surfaces with special glass cleaning material.
5. Do not clean your product with steam cleaners.
6. Never use combustibles like acid, thinner and gas while cleaning your product.
7. Do not wash any part of the product in dishwasher.
8. "Use potassium stearate (soft soap) for dirt and stains.

You can perform cleaning with a soft textured cloth not to scratch surfaces according to the figures below.

CLEANING OVEN GLASS

Lift by pressing on plastic latches on left and right side as shown in Figure 15 and pulling the profile toward yourself as in Figure 16. Glass is released after profile is removed as shown in Figure 17. Remove the released glass by pulling toward yourself carefully. Outer glass is fixed to oven door profile. You can perform glass cleaning easily after glasses are released. You can mount glasses back by performing the operations reversely after cleaning and maintenance are completed. Ensure that profile is seated properly in place.

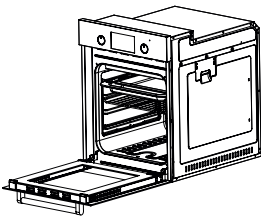


Figure 15

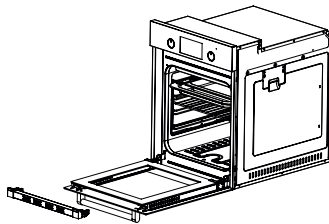


Figure 16

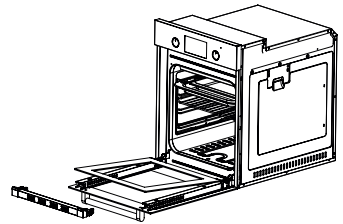
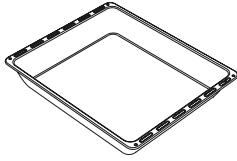


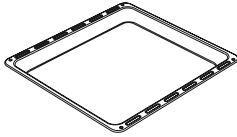
Figure 17

ACCESSORIES (Optional)



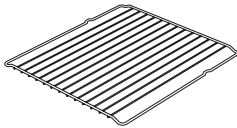
Deep Tray *

Used for pastry, big roasts, watery foods. It can also be used as oil collecting container if you roast directly on grill with cake, frozen foods and meat dishes.



Tray

Used for pastry (cookie, biscuit etc.), frozen foods.



Wire Grill

Used for roasting or placing foods to be baked, roasted and frozen into desired rack.



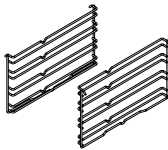
Telescopic Rail *

Trays and wire racks can be removed and installed easily thanks to telescopic rails.



In Tray Wire Grill *

Foods to stick while cooking such as steak are placed on in tray grill. Thus contact of food with tray and sticking are prevented.



Wire Racks

You can place deep tray and tray on lower and upper wire racks while cooking.

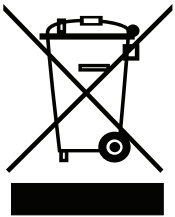
TROUBLESHOOTING

You can solve the problems you can face with your product by checking the following points before calling the technical service.

If Oven Doesn't Work;

- Check if electrical cable of the oven is plugged.
- Safely check if there is power in the network.
- Check the fuses.
- Check if electrical cable of the oven is damaged.

ENVIRONMENTALLY-FRIENDLY DISPOSAL



Dispose of packaging in an environmentally-friendly manner.

This appliance is labelled in accordance with European Directive 2012/19/EU concerning used electrical and electronic appliances (waste electrical and electronic equipment - WEEE). The guideline determines the frame work for the return and recycling of used appliances as applicable throughout to the EU.

PACKAGE INFORMATION

Packaging materials of the product are manufactured from recyclable materials in accordance with our National Environment Regulations. Do not dispose of the packaging materials together with the domestic or other wastes. Take them to the packaging material collection points designated by the local authorities.

Уважаемый покупатель,

мы благодарим Вас за доверие, оказанное данному продукту. Наша цель - обеспечить для Вас наиболее производительное использование данного продукта, который был произведен в соответствии с нашим пониманием качества, на современных заводах, в чистой рабочей атмосфере и без вреда окружающей среде.

Рекомендуем Вам внимательно изучить и сохранить для дальнейшего пользования данное руководство по эксплуатации в целях обеспечения наиболее долгого сохранения приобретенной Вами электрической плитой своих первоначальных особенностей.

ПРИМЕЧАНИЕ:

Настоящее руководство по эксплуатации подготовлено для нескольких моделей. Некоторые из характеристик, указанных в руководстве, могут отсутствовать в Вашем приборе.

Рисунки прибора представлены в схематическом отображении.

Настоящий прибор был изготовлен без вреда для окружающей среды на современных заводах.

Особенности, отмеченные знаком * являются выборочными.

"Соответствует требованиям Положения АЕЕЕ."

СОДЕРЖАНИЕ

Важные Примечания.....	26
Описание Прибора.....	29
Технические Характеристики.....	30
Установка Прибора.....	30
Важные Предупреждения.....	36
Панель Управления.....	37
Виды Программ.....	39
Рекомендации По Приготовлению.....	40
Таблица Приготовления.....	40
Эксплуатация.....	41
Замена Лампы.....	42
Чистка И Установка Дверцы.....	43
Уход И Чистка.....	44
Чистка Стекла.....	44
Аксессуары.....	45
Проблемы И Рекомендации По Их Устранению.....	46
Утилизация С Учетом Экологических Требований Информация Об Упаковке.....	46

ВАЖНЫЕ ПРЕДУПРЕЖДЕНИЯ

- 1. ПРЕДУПРЕЖДЕНИЕ:** Во избежание поражения электрическим током, перед заменой лампы убедитесь, что прибор отключен от цепи питания.
- 2. ПРЕДУПРЕЖДЕНИЕ:** Перед работой с соединительными контактами необходимо отключить все соединения цепи питания.
- 3. ПРЕДУПРЕЖДЕНИЕ:** Во время использования гриля, доступные места могут нагреваться. Следует держать детей вне досягаемости.
- 4. ПРЕДУПРЕЖДЕНИЕ:** Опасность возгорания; не храните вещи на поверхности для готовки.
- 5. ПРЕДУПРЕЖДЕНИЕ:** В случае обнаружения трещин на поверхности, отключите цепь питания во избежание поражения электрическим током.
- 6. ПРЕДУПРЕЖДЕНИЕ:** Прибор и его доступные части могут нагреваться во время использования.
- 7.** Условия для настройки настоящего прибора указаны на этикетке. (Или на табличке с техническими данными)
- 8.** Доступные части прибора могут нагреваться во время использования гриля. Маленьких детей следует держать вдали от прибора.
- 9. ПРЕДУПРЕЖДЕНИЕ:** Прибор предназначен исключительно для приготовления пищи. Не подлежит использованию для других целей, таких как обогрев помещения.

10. Имеются дополнительные ограничители, препятствующие контакту с дверцами печи. Данные детали следует устанавливать в случае возможности присутствия детей рядом с прибором.

11. Не следует использовать паровые генераторы для чистки прибора.

12. НИКОГДА не пытайтесь потушить пламя водой. Сначала отключите питание прибора, а затем потушите огонь при помощи крышки или пожарного одеяла.

13. Не используйте жесткие и едкие чистящие средства или жесткие металлические щетки для чистки стеклянной поверхности печи во избежание появления царапин и трещин.

14. Убедитесь в том, что дверца плотно закрыта после того, как поместили еду в печь.

15. Если за печью не ведется постоянное наблюдение, следует держать детей младше и лет вдали от печи.

16. Следует вести себя осторожно во избежание контакта с нагревательными элементами.

17. Настоящий прибор может использоваться детьми старше 8-и лет, лицами с ограниченными физическими, слуховыми или умственными способностями или лицами с недостаточным опытом и знаниями только в случае обеспечения непрерывного наблюдения или предоставления необходимой информации для безопасного использования прибора и осознания возможных рисков.

18. Прибор разработан таким образом, что он может быть включен внешним таймером или системой дистанционного управления.

19. Настоящий прибор предназначен для бытового применения.

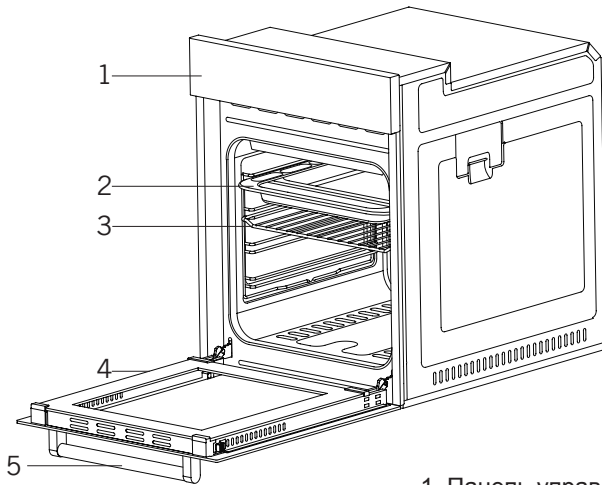
20. Чистка и пользовательский уход за прибором не должны выполняться детьми без присмотра ответственных лиц.

21. Следите за тем, чтобы дети не играли с изделием. Чистка и пользовательский уход за прибором не должны выполняться детьми без присмотра лиц старше 8-и лет или взрослых.

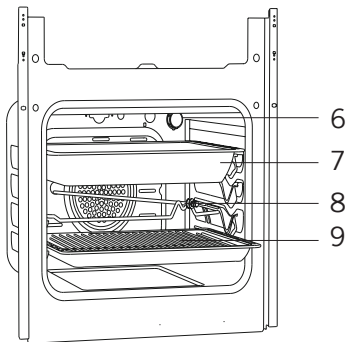
22. Убедитесь, что прибор и кабель питания расположены в месте, не доступном для детей младше 8-и лет.

23. Перед использованием прибора, убедитесь, что занавески, тюль, бумага и прочие горючие (воспламеняющиеся) предметы отдалены от прибора. Не располагайте легковоспламеняющиеся или горючие материалы внутри или на приборе.

ОПИСАНИЕ ПРИБОРА



1. Панель управления
2. Стандартный противень
3. Решетка-полка
4. Крышка печи
5. Ручка к дверце духовки



6. Лампа
7. Глубокий поднос*
8. Шампур для за жарки курицы *
9. Решетка на поднос *

ТЕХНИЧЕСКИЕ ХАРАКТЕРИСТИКИ

ХАРАКТЕРИСТИКИ	ВСТРАИВАЕМАЯ ПЕЧЬ 45 см
Мощность лампы	15Вт
Термостат	40-240 / Max °C
Нижний нагреватель	1000Вт
Верхний нагреватель	800Вт
Турбо нагреватель	1800Вт
Нагреватель гриля	1500Вт
Напряжение	220-240В 50/60 Гц

В прибор могут вноситься изменения без предварительного предупреждения в целях улучшения его технических характеристик.

Значения, имеющиеся на обозначениях изделия, или декларируемые на поставляемой вместе с изделием дополнительной печатной документации, являются значениями, полученными в лабораторных условиях в соответствии с установленными стандартами. Эти значения могут изменяться в зависимости от способа использования изделия и условий его эксплуатации.

Рисунки, представленные в руководстве, являются схематическими и могут не отражать настоящий вид продукта.

УСТАНОВКА ПРИБОРА

В целях обеспечения работоспособности прибора убедитесь, что электрическое оборудование соответствует требованиям. В случае несоответствия, вызовите профессионального электрика или ремонтника для выполнения соответствующих корректировок. Производитель не несет ответственности за вред, причиненный в результате выполнения операций не уполномоченными лицами, что ведет к прекращению действия гарантии.

ПРЕДУПРЕЖДЕНИЕ: Покупатель несет ответственность за подготовку места для расположения прибора и электрического оборудования.

ПРЕДУПРЕЖДЕНИЕ: Во время монтажа изделия следует соблюдать правила, установленные местными стандартами в части электрических работ.

ПРЕДУПРЕЖДЕНИЕ: Перед установкой прибора, проверьте его на наличие каких либо повреждений. Не выполняйте установку если прибор поврежден. Поврежденные приборы несут риск для Вашей безопасности.

Важные примечания по установке:

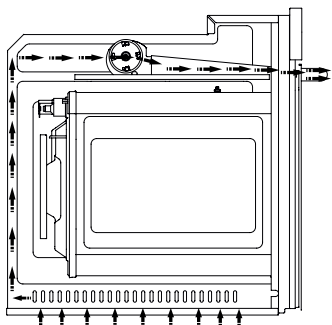


Рис. 1

Во время работы печи, охлаждающий вентилятор будет выводить лишний пар наружу и предотвращать чрезмерное нагревание внешних поверхностей прибора. Это необходимо для правильной работы прибора и равномерного приготовления блюд. После окончания процесса готовки, вентилятор будет продолжать работать. Вентилятор отключится автоматически, когда охлаждение будет завершено.

В задней части отсека для установки прибора необходимо предусмотреть пространство для качественной и правильной работы прибора. Не следует упускать это пространство, так как оно необходимо для исправной работы системы вентиляции прибора.

Правильное место для монтажа

Дизайн изделия разработан в соответствии с доступными на рынке столешницами. Между прибором и стенами кухни или мебелью следует оставить безопасное расстояние. Для подходящих промежутков см. диаграмму, представленную на следующей странице.

(значения указаны в мм).

- Используемые поверхности, синтетический ламинат и клеящие материалы должны быть жароустойчивыми. (минимум 100°C).
- Кухонные шкафы должны находиться на одном уровне с прибором и должны быть закреплены.
- Если под печью имеется выдвижной ящик, между печью и ящиком следует установить панель.

ПРЕДУПРЕЖДЕНИЕ: Не устанавливайте прибор вблизи холодильников или охлаждающих приборов. Жар, исходящий от прибора может повысить энергопотребление охлаждающих приборов.

ПРЕДУПРЕЖДЕНИЕ: Не используйте дверцу или ручку дверцы для передвижения прибора.

Сборка и установка встраиваемой печи 45 см

Перед началом установки следует определить место использования прибора.

Не следует устанавливать прибор в местах с сильными потоками воздуха.

Прибор следует передвигать минимум вдвоем. Не тащите прибор по полу во избежание повреждения полового покрытия.

Удалите все перевозочные материалы снаружи и внутри прибора. Выньте все материалы и документацию из прибора.

Установка под столешницу

Отсек должен соответствовать меркам, указанным на рисунке 2.

В задней части отсека следует обеспечить пространство как указано на рисунке, в целях обеспечения необходимой проветриваемости.

Пространство между столешницей и верхней частью прибора, которое должно оставаться после установки, отмечено буквой "А" на рисунке 5. Это пространство необходимо для вентиляции и не должно закрываться.

Установка в шкаф

Отсек должен соответствовать меркам, указанным на рисунке 4.

В задней части отсека, в нижней и верхней частях следует обеспечить пространство как указано на рисунке, в целях обеспечения необходимой проветриваемости.

Условия установки

Размеры прибора приведены на рисунке 3.

Поверхность мебели и монтажные материалы, используемые для установки, должны обладать минимальной жароустойчивостью в 100°C.

Во избежание переворачивания прибора, отсек для установки должен быть закреплен а основание должно быть плоским.

Основание отсека должно выдерживать минимальную нагрузку в 60 кг.

Установка и закрепление печи

Установите печь в отсек при помощи двух или более человек.

Убедитесь, что рамка прибора и передняя часть мебели выровнены.

Кабель питания не должен оставаться под печью, зажиматься между печью и мебелью и сгибаться.

Закрепите печь к окружающей мебели при помощи болтов, предоставленных вместе с прибором. Болты следует вкручивать продев их в пластиковые крепежи, установленные на раме прибора, как показано на рисунке 5. Болты не следует закручивать чрезмерно туго. В противном случае резьба может повредиться.

После установки убедитесь, что печь не двигается. Если установка печи выполнена не в соответствии с инструкциями, существует риск опрокидывания во время использования.

Подключение к сети

Место подключения печи должно обладать подходящим электрическим оборудованием.

Напряжение сети должно соответствовать значениям, указанным на типовой этикетке прибора.

Сетевое соединение прибора должно выполняться в соответствии с местными и национальными стандартами электричества.

Перед началом установки прибора отключите питание в сети. Не подключайте прибор к сети до завершения процедуры установки.

Монтаж

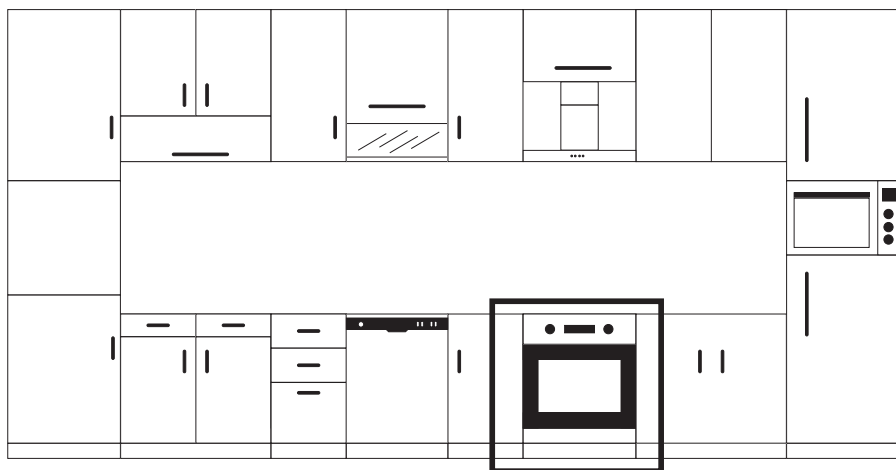


Рис. 2

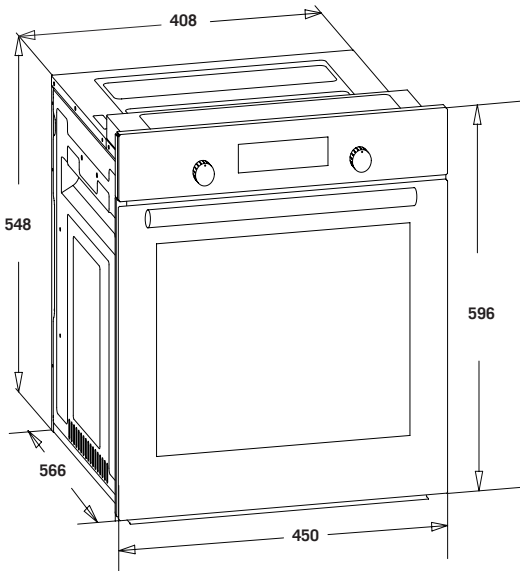
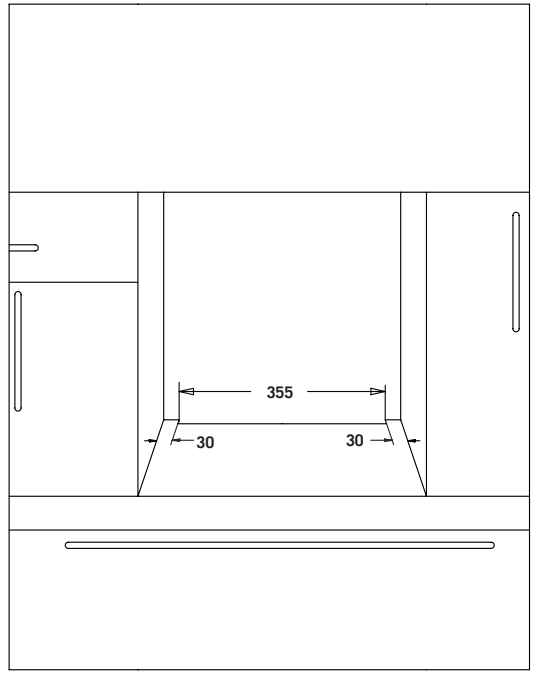
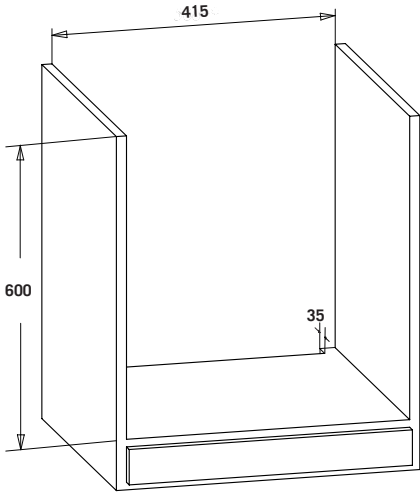


Рис. 3

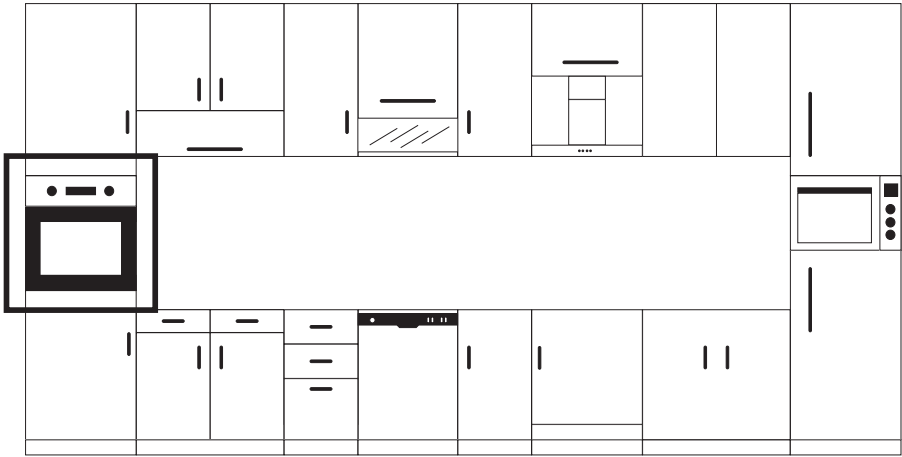
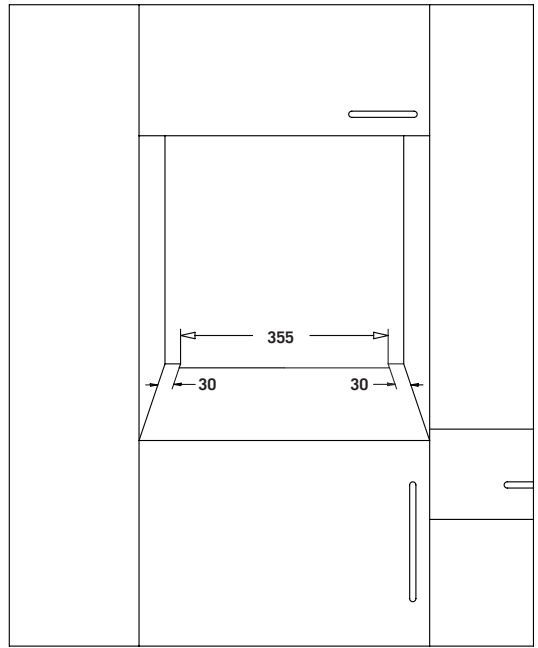
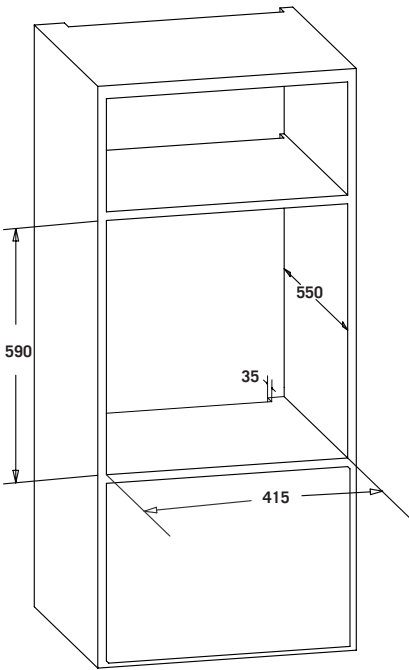


Рис. 4



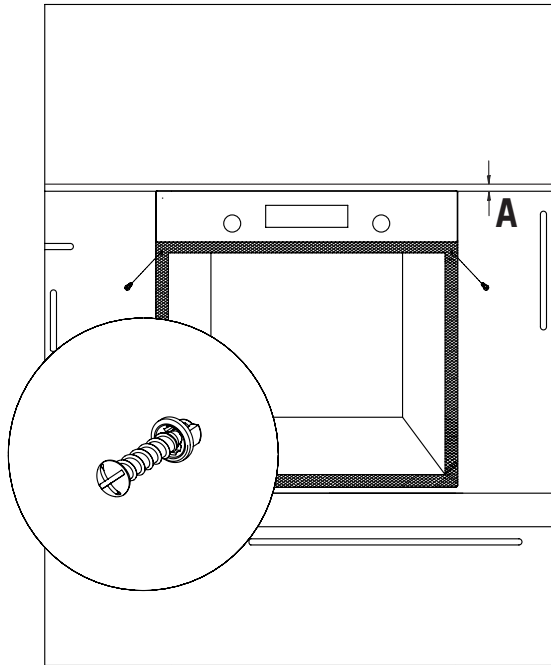


Рис. 5

ВАЖНЫЕ ПРЕДУПРЕЖДЕНИЯ

Электрическое соединение и Безопасность

Установка и соединения данной печи должны выполняться уполномоченным сервисом и в соответствии с указаниями производителя.

Прибор следует устанавливать в отсек для печи, обеспечивающий хорошую вентилируемость.

Соединение прибора с электрической сетью следует выполнять только через розетки с надлежащей системой заземления. Если в месте установки прибора нет розеток с системой заземления, свяжитесь с уполномоченным персоналом. Производитель ни в коем случае не несет ответственность за вред, причиненный в результате соединения прибора с не заземленной системой питания.

Вилка Вашей печи оснащена заземлением, убедитесь, что розетка для подключения также заземлена. После установки прибора, розетка должна располагаться в легко доступном месте.

Ваша печь изготовлена в соответствии с электропитанием 220-240 В 50/60 Гц. АС и требует установки предохранителя мощностью 16 Аmp. Если Ваша сеть отличается от указанных значений, свяжитесь с уполномоченным сервисом или профессиональным электриком.

В случае необходимости замены электрического предохранителя, убедитесь, что электрическое соединение выполнено следующим образом:

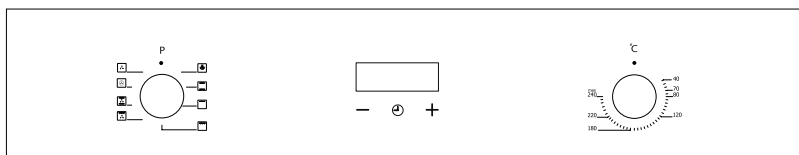
- Коричневый кабель в фазу (рабочий контакт)
- Синий кабель в нейтральный контакт
- Желто-зеленый кабель в контакт заземления

Разъединители цепи питания должны быть расположены в доступном для пользователя месте.

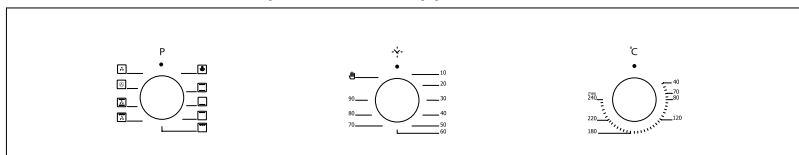
Кабель питания (кабель с вилкой) не должен контактировать с нагревающимися поверхностями прибора.

В случае повреждения кабеля питания (кабель с вилкой), он должен быть заменен изготовителем или его сервисным агентством или профессионалом в целях предотвращения возникновения опасных ситуаций.

ПАНЕЛЬ УПРАВЛЕНИЯ

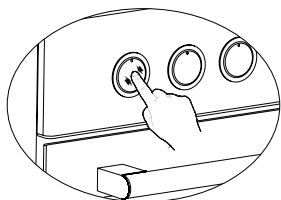


Изображение цифровой панели



Изображение механической панели

В моделях с выдвигающимися реле настройка может осуществляться только когда реле выдвинуто.



Нажмите и отпустите реле, чтобы оно выдвинулось, как показано на рисунке слева.

Рис. 6 *

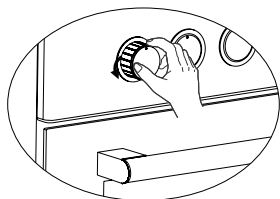


Рис. 7 *

Когда реле выдвинуто вперед, можно осуществлять необходимые настройки поворотами влево или вправо.

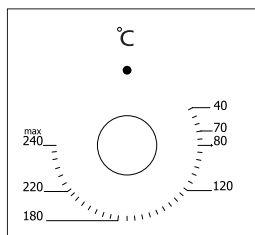


Рис. 8

Реле Термостата: Используется для установки температуры приготовления пищи в печи. После размещения блюда в печи, поверните реле и установите желаемую температуру. См. таблицу приготовления пищи, чтобы узнать температуру приготовления различных продуктов.

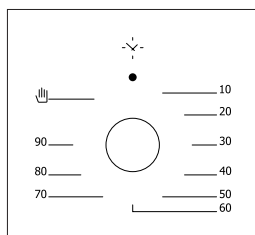


Рис. 9

***Механическое реле таймера:** Используется для установки времени приготовления пищи. Когда установленное для приготовления время истекает, таймер отключает нагревательные элементы и издает характерный звон. Для времени приготовления различных продуктов см. таблицу приготовления.

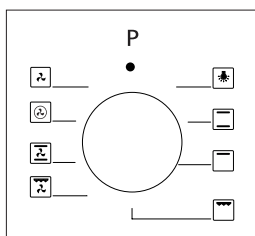


Рис. 10

Реле программы готовки: Используется для определения программы приготовления продуктов, размещенных в печи. Виды программ, расположенных на реле, и их функции описаны далее. Не все модели могут быть оснащены всеми видами нагревателей и соответствующими видами программ.

ВИДЫ ПРОГРАММ

Виды программ приготовления пищи и важные пояснения к ним предоставлены ниже с целью предоставления Вам возможности приготовления различных блюд на свой вкус.

	Нижний и верхний нагревательные элементы		Вентилятор
	Нижний нагревательный элемент и вентилятор		Турбо нагреватель и вентилятор
	Гриль и шампур для за жарки курицы		Нижний и верхний нагревательные элементы и вентилятор
	Верхний нагревательный элемент и вентилятор		Гриль и вентилятор
	Нижний нагревательный элемент		Гриль
	Верхний нагревательный элемент		

Нижний нагревательный элемент: Выбирайте эту программу ближе к концу времени готовки для обеспечения пропекания нижней части блюда.

Верхний нагревательный элемент: Используется для приготовления или разогрева мелких продуктов.

Нижний и верхний нагревательный элемент: Программа, используемая для приготовления таких продуктов, как кексы, пицца, бисквиты, печенье.

Нижний нагревательный элемент и вентилятор: Используется для приготовления фруктовых кексов и похожих продуктов.

Нижний и верхний нагревательные элементы и вентилятор: Программа, подходящая для приготовления кексов, бисквитов, лазаньи и подобных блюд. Также подходит для приготовления мясных блюд.

Решетка (гриль): Решетка используется для приготовления таких продуктов, как бифштексы, сосиски и рыбы на гриле. Во время приготовления пищи на гриле, под решетку следует установить поднос с небольшим количеством воды.

Турбо нагреватель и вентилятор: Подходит для приготовления и жарки пищи в печи. Устанавливайте температуру немного ниже, чем для программы "Верхнего и нижнего нагревательного элемента", так как жар быстро распространяется при помощи потока воздуха.

Решетка и вентилятор: Подходит для приготовления мясных блюд. Во время приготовления пищи на гриле, под решетку следует установить поднос с небольшим количеством воды.

РЕКОМЕНДАЦИИ ПО ПРИГОТОВЛЕНИЮ

Информация о различных продуктах, которые мы протестировали в наших лабораториях и установили значения для их приготовления, приведена в таблицах ниже. Время приготовления может меняться в зависимости от напряжения сети, особенностей, количества и температуры продуктов. Блюда, приготовленные с применением предоставленных значений, могут не подойти Вам по вкусу. Вы можете определить новые значения экспериментируя и находя более подходящие для Вас.

ПРЕДУПРЕЖДЕНИЕ: Перед размещением продуктов в печь, ее следует предварительно нагреть в течение 7-10 минут.

ТАБЛИЦА ПРИГОТОВЛЕНИЯ

Блюда	Функция Приготовления	Температура (°C)	Полка	Время (мин.)
Торт	Статический / Статический+Поклонник	170-180	2-3	35-45
Небольшие Торты	Статический / Турбо+Поклонник	170-180	2	25-30
Пэтти	Статический / Статический+Поклонник	180-200	2	35-45
Торт	Статический	180-190	2	20-25
Печенье	Статический	170-180	2	20-25
Яблочный Пирог	Статический / Турбо+Поклонник	180-190	1	50-70
Бисквит	Статический	200/150*	2	20-25
Пицца	Статический+Поклонник	180-200	3	20-30
Лазанья	Статический	180-200	2-3	25-40
Меренга	Статический	100	2	50
Курица На Гриле**	Гриль+Поклонник	200-220	3	25-35
Жареная Рыба**	Гриль+Поклонник	200-220	3	25-35
Стейк Без Костей**	Гриль+Поклонник	Max	4	15-20
Фрикаделька**	Гриль+Поклонник	Max	4	20-25

* без предварительного нагрева Первая половина времени приготовления при температуре 200°C, остальное время - 150°C.

** В середине продолжительности приготовления необходимо перевернуть продукты.

ЭКСПЛУАТАЦИЯ

Первое использование

После выполнения необходимых соединений согласно инструкциям, необходимо совершить следующие действия:

1. Выньте все этикетки и аксессуары, находящиеся внутри печи. Удалите защитную пленку на внешней стороне прибора.
2. Протрите внутреннюю часть печи от пыли и частиц упаковки при помощи влажной тряпки. Внутренность печи должна быть пустой. Вставьте вилку устройства в розетку.
3. Установите реле термостата на максимальную температуру (240 Max. °C) и дайте печи проработать с закрытой дверцей в течение 30 минут. При этом может появиться легкий дым и запах, это нормально.
4. После этой процедуры, дождитесь охлаждения печи, протрите внутреннюю часть теплой мыльной водой и просушите при помощи чистой сухой тряпки. Теперь Вы можете использовать свою печь.

Стандартная эксплуатация печи

1. Для начала приготовления, установите реле термостата в положение желаемой температуры в соответствии с продуктами.
2. На моделях с механическим таймером, Вы можете установить желаемое время готовки при помощи реле таймера. По истечении установленного времени таймер отключает нагреватели и издает характерный звонок.
3. На моделях с цифровым таймером, по истечении времени готовки в соответствии с установленными данными, таймер отключает нагреватели и издает характерный звонок.
4. После завершения процедуры готовки система охлаждения прибора будет продолжать работать. Не отключайте питание прибора до полного охлаждения прибора в таком режиме. После завершения охлаждения система отключится автоматически.

ЗАМЕНА ЛАМПЫ

ПРЕДУПРЕЖДЕНИЕ: Во избежание поражения электрическим током, перед заменой лампы убедитесь, что прибор отключен от цепи питания. (Отключение от цепи питания означает отключение от магистральной сети)

Сначала отключите питание прибора и убедитесь в том, что он остыл.

Поверните и снимите стеклянный плафон как показано на рисунке. В случае затруднения при повороте плафона, используйте пластиковые перчатки.

Затем, выкрутите старую и установите новую лампу с такими же характеристиками. Характеристики лампы должны быть следующими:

-220-240 В 50/60 Гц Перемен. ток

-15 Вт

-Типе E14

Установите плафон на место, подключите кабель питания к розетке и завершите процедуру замены лампы. Теперь Вы можете использовать свою печь.

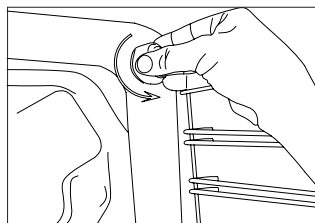


Рис. 11



Рис. 12

ЧИСТКА И УСТАНОВКА ДВЕРЦЫ

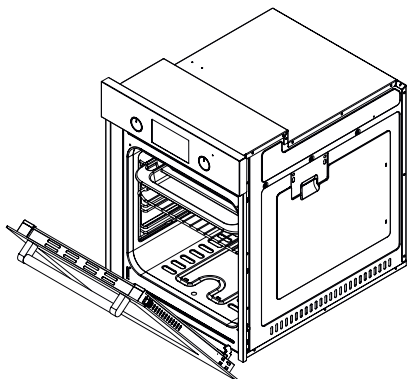


Рис. 13

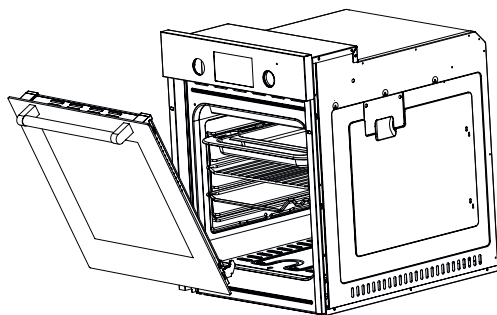


Рис. 14

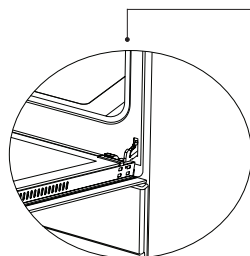


Рис. 13.1

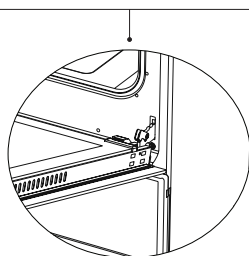


Рис. 13.2

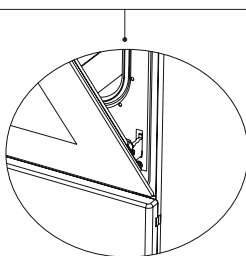


Рис. 14.1

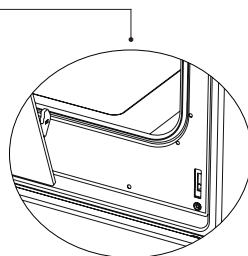


Рис. 14.2

Потяните дверцу печи на себя и откройте ее до предела. Затем, потяните замок петли при помощи отвертки и выполните процедуру открытия замка, как показано на **рисунке 13.1**.

Приведите замок петли в максимально открытое положение, как показано на **рисунке 13.2**. Переведите обе петли, соединяющие дверцу с печью, в одинаковое положение.

Затем, прикройте дверцу до того момента как она будет упираться в замок петли, как показано на **рисунке 14.1**.

Для снятия дверцы, приведите ее в практически закрытое положение и потяните ее вверх обеими руками, как показано на **рисунке 14.2**.

Для установки дверцы на место выполняйте действия, описанные для снятия, в обратном порядке.

УХОД И ЧИСТКА

1- Отсоедините вилку питания от розетки.

2- Не используйте жесткие щетки, металлические щетки или ножи для чистки внутренних частей, панели, подносов и прочих частей печи. Не используйте абразивные, царапающие материалы или моющие средства.

3- Протрите части печи мыльной тканью и прополоскайте водой, а затем тщательно обсушите мягкой тканью.

4- Очищайте стеклянные поверхности специальными средствами для чистки стекол.

5- Не используйте парогенераторные очистители для чистки прибора.

6- Для чистки печи никогда не пользуйтесь кислотой, растворителем и керосином и другими горючими веществами.

7- Не мойте какие-либо части печи в посудомоечной машине.

8- Для удаления грязи и пятен используйте стеарат калия (нейтральное мыло).

Осуществляйте чистку мягкой тряпкой в соответствии с рисунками ниже во избежание возникновения царапин.

ЧИСТКА СТЕКЛА

Нажмите на пластиковые защелки по левой и правой стороне дверцы, как показано на рисунке 15 и потяните планку на себя, как показано на рисунке 16. Как показано на рисунке 17, после снятия профиля, стекло остается свободным. Осторожно потяните на себя освобожденное стекло. Внешнее стекло закреплено на профиле дверцы печи. После снятия стекол, Вы можете с легкостью их очистить. После завершения процедуры чистки и ухода, выполните процедуру в обратном порядке и установите стекла на место. Убедитесь, что профиль плотно установлен на свое место.

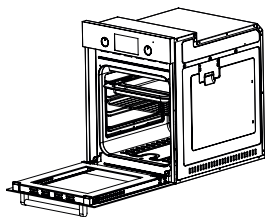


Рис. 15

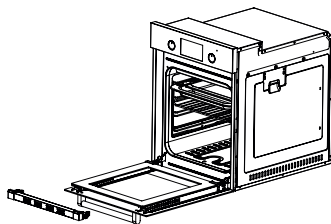


Рис. 16

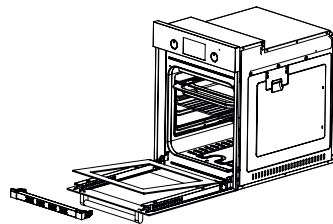
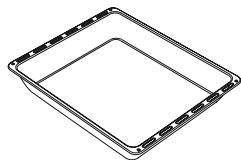


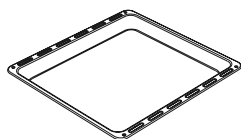
Рис. 17

АКСЕССУАРЫ (Выборочно)



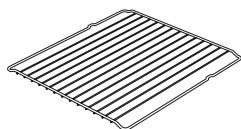
Глубокий поднос *

Используется для выпечки хлебо-булочных изделий, приготовления больших запеканок, жидких блюд. Используется для выпекания кексов, а также в качестве сборника для жира в случае запекания мясных продуктов или размораживания замороженных продуктов на гриле.



Поднос

Используется для выпекания хлебо-булочных изделий (печенье, бисквиты, и т.д.), размораживания продуктов.



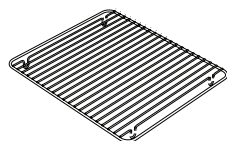
Решетка (гриль)

Используется для жарки, а также для размещения продуктов под запекание, жарку или размораживание на необходимом уровне.



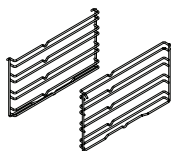
Телескопические направляющие *

Благодаря телескопическим направляющим подносы или решетки с легкостью устанавливаются и снимаются.



Решетка на поднос *

Продукты, которые могут пригореть во время запекания, такие как отбивная, укладываются на решетку внутри подноса. Таким образом предотвращается прилипание и пригорание продуктов к подносу.



Решетки

Вы можете устанавливать глубокий и стандартный подносы на верхнюю и нижнюю решетку одновременно во время приготовления пищи.

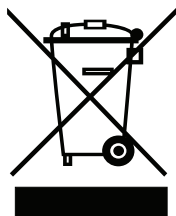
ПРОБЛЕМЫ И РЕКОМЕНДАЦИИ ПО ИХ УСТРАНЕНИЮ

Перед тем, как вызвать технический сервис, попробуйте воспользоваться следующими рекомендациями для устранения проблем.

Если плита не работает;

- Проверьте, вставлена ли штепсельная вилка электрического шнура в розетку.
- Проверьте безопасными способами наличие электричества в сети.
- Проверьте предохранители.
- Проверьте наличие повреждений электрического шнура.

УТИЛИЗАЦИЯ С УЧЕТОМ ЭКОЛОГИЧЕСКИХ ТРЕБОВАНИЙ



Утилизируйте упаковку с учетом требований по охране окружающей среды.

Данное устройство маркировано в соответствии с требованиями Директивы ЕС 2012/19/EU по утилизации использованных электрических и электронных устройств (утилизация электрического и электронного оборудования -WEEE). Здесь указаны требования по возврату и переработке использованных устройств, применимые во всех странах Европейского Союза.

ИНФОРМАЦИЯ ОБ УПАКОВКЕ

Упаковочные материалы холодильника изготовлены из материалов, подлежащих вторичной переработке, в соответствии с местными нормативами и правилами касательно защиты окружающей среды. Не утилизируйте упаковочные материалы вместе с бытовыми или другими отходами. Сдайте их на пункт сбора упаковочных материалов, определенный местными властями.