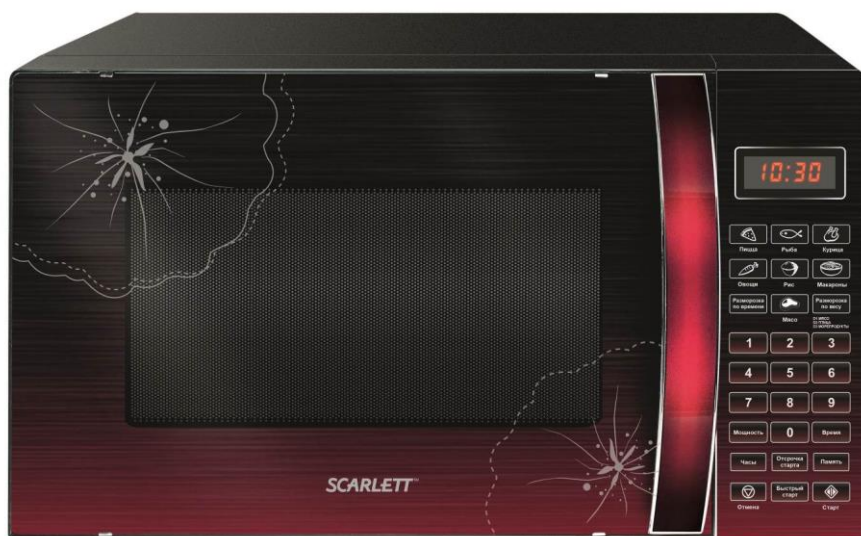


20 L

INSTRUCTION MANUAL
РУКОВОДСТВО ПО ЭКСПЛУАТАЦИИ
ІНСТРУКЦІЯ З ЕКСПЛУАТАЦІЇ
ЖАБДЫҚ НҰСҚАУЫ

GB	MICROWAVE OVEN.....	3
RUS	ПЕЧЬ МИКРОВОЛНОВАЯ БЫТОВАЯ	5
UA	МІКРОХВИЛЬОВА ПІЧ.....	9
KZ	МИКРОТОЛҚЫНДЫ ПЕШ.....	12



GB DESCRIPTION

1. Door lock system
2. Oven window
3. Waveguide mica shield (Do Not Remove!)
4. Shaft
5. Roller ring
6. Glass tray
7. Control panel
8. Display

RUS УСТРОЙСТВО ИЗДЕЛИЯ

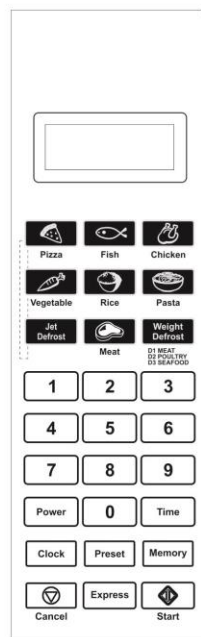
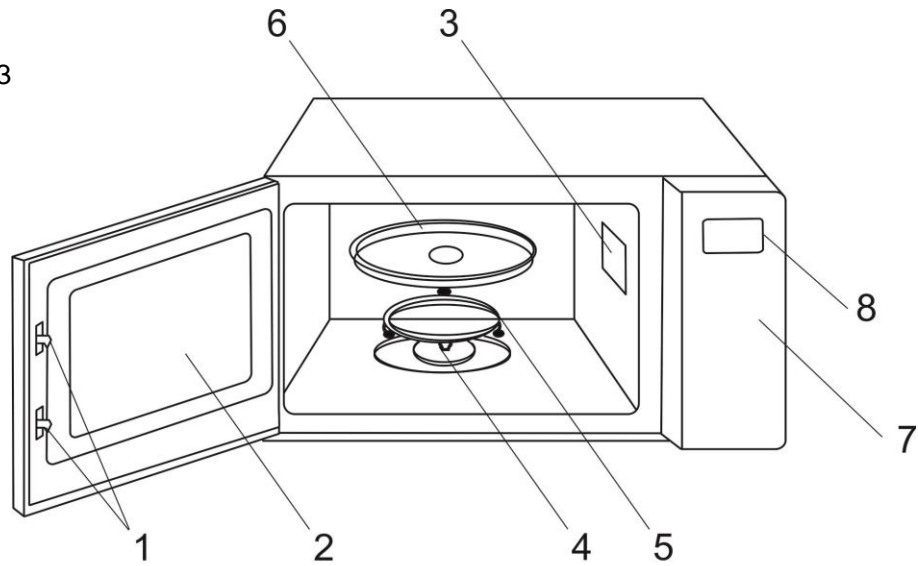
1. Фиксаторы дверцы
2. Окно дверцы
3. Заслонка волновода (НЕ СНИМАТЬ!)
4. Ось
5. Вращающееся кольцо
6. Стекло блюдо
7. Панель управления
8. Дисплей

UA ОПИС

1. Засувки дверцят
2. Вікно дверцят
3. Заслінка хвильоводу (НЕ ЗНИМАТИ!)
4. Вісь
5. Обертове кільце
6. Скляне блюдо
7. Панель керування
8. Дисплей

KZ СИПАТТАМА

1. Есік ілгешектері
2. Есік терезесі
3. Толқын ағызғысы жапқышы (ШЕШПЕНІЗ)
4. Ось
5. Айналмалы сақина
6. Шыны табақ
7. Басқару панелі
8. Дисплей



<p>~ 220-240 V / 50 Hz</p>	<p>Maximum power input/Максимальная потребляемая мощность: 1200 W</p> <p>Microwave power/Мощность микроволн: 700 W</p> <p>Operation frequency/Рабочая частота: 2450 MHz</p>	<p>10.7 kg</p>	<p>mm</p>
----------------------------	--	----------------	-----------

GB INSTRUCTION MANUAL

IMPORTANT SAFEGUARDS

• IMPORTANT SAFEGUARDS. READ CAREFULLY AND KEEP FOR FUTURE REFERENCE.

- Incorrect operation and improper handling can lead to malfunction of the appliance and injuries to the user.
 - Before connecting the appliance for the first time check that voltage indicated on the rating label corresponds to the mains voltage in your home.
- WARNING!** The appliance cord plug has a grounding wire and a terminal. The wall outlet must be suitable and provided with proper grounding.
- For home use only. Do not use for industrial purposes. Do not use the appliance for any other purposes than described in this instruction manual.
 - Do not use outdoors.
 - Always unplug the appliance from the power supply before cleaning and when not in use.
 - This appliance is not intended for use by persons (including children) with reduced physical, sensory or mental capabilities, or lack of experience and knowledge, unless they have been given supervision or instruction concerning use of the appliances by a person responsible for their safety.
 - Do not attempt to repair, adjust or replace parts in the appliance. Repair the malfunctioning appliance in the nearest service center.
 - Children should be supervised to ensure that they do not play with the appliance.
 - Do not leave the appliance switched on when not in use.
 - Do not use other attachments than those supplied.
 - Do not operate after malfunction or cord damage.
 - If the power cord is damaged it should be replaced by the manufacturer or authorized servicing center or qualified professional for safety reasons.
- ATTENTION!** Do not operate microwave oven with damaged door or door sealing until the breakage will be repaired by authorized specialists.
- ATTENTION!** To avoid microwaves leakage danger, any cover may be removed by authorized specialists only.

• Keep the cord away from sharp edges and hot surfaces.

- Do not pull, twist, or wrap the power cord around the appliance.
- Do not use the appliance for drying clothes or paper.

ATTENTION! To prevent explosion do not process with microwaves any liquids or other products in hermetically closed utensils.

- While heating liquids with microwaves, subsequent rough boiling may take place, therefore it is necessary to take care while handling the utensils.
- To avoid an explosion, pierce a product, which has a dense peel, such as potatoes, apples, egg yolk, chestnuts, sausage etc.
- To prevent fire while heating food in the microwave oven using utensils made of inflammable materials, such as plastic or a paper, it is necessary to watch the oven.
- To prevent ignition or any malfunctions it is necessary to remember, that:
 - Burning of products results from too long preparation;
 - Remove all packing and foil before cooking;
 - In case of fire accident do not open the oven door, switch off the microwave oven and unplug it.
- Do not switch on the oven when it is empty. Do not use the chamber to store anything.
- Microwave oven is not intended for conservation of products.
- Do not put products directly on the bottom of the chamber, use glass plate.
- Always check the food temperature, especially if you are cooking for a child. Let the food cool down within several minutes.
- Always follow recipes of cooking, but remember, that some products (jams, puddings, stuffing for a pie from almonds, sugar or candied fruit) are heating up very quickly.
- To prevent short circuit keep air holes of the unit free of water.

IMPORTANT:

- Do not cook food directly on the glass tray. Place food in/on proper cooking utensil before placing in the oven.
- Before cooking please ensure that the cookware you are going to use is suitable for microwave oven.
- Microwave utensils should be used only in accordance with manufacturer's instructions.
- Please remember that a microwave oven heats liquid in a container quicker than the container itself. Therefore, though the lid of the container is not hot to touch when removed from the oven, please remember that the food/liquid inside may be hot.
- Preliminary remove all packing, metal strips and foil from products.
- **Do not cook eggs in shell or warm up hard-boiled eggs in microwave ovens, since the eggs may explode even after the microwave heating is finished.**
- Improper oven cleaning may result in surface wear-out that may influence the appliance functioning and represent danger to users.
- If the product has been exposed to temperatures below 0°C for some time it should be kept at room temperature for at least 2 hours before turning it on.
- The manufacturer reserves the right to introduce minor changes into the product design without prior notice, unless such changes influence significantly the product safety, performance, and functions.
- Production date mentioned on the unit and/or on the packing materials and documentations.

HOW TO CHOOSE YOUR MICROWAVE COOKWARE

WARNING! Follow utensils' marking and Manufacturer's guides.

APPLICABLE

- **Heat-proof glassware** – It is most suitable for microwave cooking.
- **Heat-resistant plastic container** – Do not use tightly closed containers. Cannot be used for packing or containing foods with high fat or sugar contents.
- **Earthenware or chinaware** – Conventional utensils of these materials are allowed unless fired with gold, silver or any decorative metallic elements.
- **Special packing** (paper, plastic, etc.) for microwave ovens. Follow manufacture's guides exactly when use.

INAPPLICABLE

- **Film for freshment preservation and heat-resistant combustible plastic wares** – Never apply for packing meat or frying foods.
- **Metal wares (e.g. aluminum, stainless steel, etc.) and aluminum foil*** – Won't let microwaves go through and will spark or ignite touching the cavity wall during cooking.

* Applicable for wrapping several parts of product to prevent overheating and resulting burnt. Avoid contact with interior walls, minimum distance must be more than 2 cm.

- **Plastics** – Unfit for microwave cooking.
- **Non-heat-proof glassware** – May deform or flaw in a highly hot circumstance. Curved or strengthened glassware is not applicable.
- **Lacquer ware** – May flaw or peel off.
- **Paper, bamboo or wooden ware** – May be burnt while cooking.
- **Melamine dishes** – contain a material, which absorbs microwave energy. This may cause cracking of the dishes or char and will slow down the cooking speed.
- In those cases when plastic or paper containers are used to heat the food in the oven, watch the oven and make sure the containers do not catch fire.

HOW TO IDENTIFY COOKWARE APPROPRIATENESS FOR MICROWAVE COOKING?

- Put the intended cookware together with a glass of water (250 ml) inside the oven cavity, and then switch on the oven at the maximum power for one minute.
- Suitable for microwave cookware will be as cool as ever, while the water will absorb the energy and become warmer.

USEFUL TIPS

- For uniform heating turn over products during cooking.
- Do not cook in a container with a restricted opening, such as a soft drink bottle or salad oil bottle, as they may explode if heated in a microwave oven.
- Do not use conventional meat or candy thermometers. These are thermometers available specifically for microwave cooking. These may be used.

BEFORE YOU CALL FOR SERVICE

- Check to ensure that:
 - Power supply is valid;
 - Timer settings are proper;
 - Door is securely closed engaging the door safety lock system.

RADIO INTERFERENCE

- Operation of the microwave oven can cause interference to your radio, TV or similar equipment.
- When there is interference, it may be reduced or eliminated by taking the following measures:
 - Clean doors and sealers;
 - Move the microwave oven away from the receiver;
 - Reorient the receiving antenna of radio or television.
 - Plug the microwave oven into a different outlet so that microwave oven and receiver are on different branch circuits.

INSTALLATION

- Make sure that all the packing materials are removed from the unit.
- Check the oven for any damage in transit:
 - Misaligned or bent doors and sealers;
 - Housing and door window;
 - Inside surfaces.
- If any damage occurs while using, switch off and unplug the oven and contact qualified service personnel.
- Place the microwave oven on a flat, stable surface, able to hold its weight with a food to be cooked in the oven.
- Do not place the oven where heat, moisture or high humidity are generated, or near flammable materials.
- Do not place anything on the oven. Do not block any openings on the appliance.
- For correct operation, the oven must have sufficient airflow. Allow 30 cm free space above the oven, 10 cm back and 7.5 cm from both sides.

SETTING THE CLOCK

- To enter the digital clock time, touch the «CLOCK» pad to set the digital clock in 12 or 24 hours cycle and then touch the number pads to set the time of day.
- For example: to set the time of 6: 35.
- In standby mode, touch «CLOCK» pad once or twice.
- Touch number pads to set the clock time "6:35".
- Touch «CLOCK» pad again to confirm.
- NOTE: You can check the clock time when cooking is in progress by touching the «CLOCK» pad.

MICROWAVE COOKING

- The longest cooking time is 99 minutes and 99 seconds. To cook with microwave, cooking time and power level should be set.
- Suppose you want to cook for 10 minutes at 60% microwave power.
- In standby mode, place food into the oven and close the door.
- Touch «POWER» pad a number of times to set power level "P-60".

Touch	Power Level	Description
Once	100% P100	High
Twice	80% P-80	M. High
Thrice	60% P-60	Medium
4 times	40% P-40	M. Low
5 times	20% P-20	Low
6 times	0% P-00	Zero

- Touch «TIME» pad.
- Touch number pads to set cooking time "10:00".
- Touch «START» pad.
- NOTE: During cooking, touch «POWER» to check the cooking power.

EXPRESS

- This feature allows you to start the oven quickly at full power level.
- In standby mode, place food into the oven and close the door, then touch «EXPRESS» a number of times to set time, the oven start immediately at full power. The maximum cooking time is 10 minutes. During cooking, you can add the cooking time by pressing «EXPRESS» pad.

WEIGHT DEFROST

- This function allows the oven to defrost meat, poultry, and seafood based on the weight entered by user. The time and the defrosting power are adjusted automatically once the weight of food is programmed.
- The maximum allowable weight for each category is shown below.

FOOD CATEGORY	MAXIMUM WEIGHT	DISPLAY
Meat	2300g	d1
Poultry	4000g	d2
Seafood	900g	d3

- Suppose you want to defrost 600g of shrimp.
- In standby mode, place shrimp into the oven and close the door.
- Touch «WEIGHT DEFROST» pad until "d3" appears on the display screen.
- Touch number pads to enter weight 600g.
- Touch «START» pad.
- NOTE: During defrosting program, the system will sound beeps to remind user to turn food over, and then touch «START» to resume the defrosting.

JET DEFROST

- This function allows the oven to defrost food based on the time entered by user. The maximum defrost time is 99 minutes and 99 seconds
- Suppose you want to set the oven to defrost food for 5 minutes.
- In standby mode, place shrimp into the oven and close the door.
- Touch «JET DEFROST» pad.
- Touch number pads to enter defrosting time "5:00".

- Touch «START» pad.
- Note: During defrosting program, the system will sound beeps to remind user to turn food over, and then touch «START» to resume the defrosting.

PRESET

- This function allows the oven to start up automatically in a later time appointed by user.
- Suppose now the clock running at 11:10 and you want the oven to start a cooking at 11:30. Step:
- In standby mode, place food into the oven and close the door.
- Set a cooking program.
- Touch «PRESET» pad.
- Use the number pads to enter the preset time "11:30".
- Touch «START» pad.
- NOTE: To make sure that the clock is running at the correct time before setting. In preset mode, you can check the preset time by pressing «PRESET» pad, if you press «CANCEL» pad when showing the preset time, the function is canceled.

MULTI-STAGE COOKING

- The oven can be programmed to do several (3 stages) consecutive functions. Some recipes may need to set a multi-stage cooking program.
- Suppose you want to set the following cooking program:
- Step:
- In standby mode, place food into the oven and close the door.
- Input microwave cooking program.
- Touch «MEMORY» pad.
- Input microwave cooking program.
- Touch «MEMORY» pad.
- Input microwave cooking program.
- Touch «START» pad.
- NOTE: Only microwave cooking program can be set in a multistage cooking program.

AUTO COOK

- For food or the following cooking mode, it is not necessary to program the duration and the cooking power. It is sufficient to indicate the type of food that you wish to cook as well as the weight of this food. In order to do this, touch the individual icon pad of the food you are going to cook once or repeatedly to choose weight. For example: to cook Chicken.
- In standby mode, place food into the oven and close the door.
- Touch Chicken icon pad continually to select the weight of food.

Food	Weight
Pizza	150g 300g 450g
Fish	200g-600g
Chicken	200g-600g
Vegetable	200g-600g
Rice	150g 300g 450g 600g
Pasta	100g-300g
Meat	200g-600g

- Touch START pad.

CHILD LOCK

- Use to prevent unsupervised operation of the oven by little children. The «CHILD LOCK» indicator will show up on display screen, and the oven cannot be operated while the CHILD LOCK» is set.
- To set the «CHILD LOCK»: Touch and hold the «CANCEL» pad for 3 seconds, a beep sounds and «LOC» indicator lights.
- To cancel the «CHILD LOCK»: Touch and hold the «CANCEL» pad for 3 seconds until «LOC» indicator on display goes off.

CLEANING AND CARE

- The oven should be cleaned regularly, its surface should be free of any food remainders.
- Before cleaning switch off and unplug the appliance from power supply.
- Let the oven cool down completely.
- Wipe the control panel, an external, door sealing, internal surfaces and glass turntable by a damp cloth with warm soapy water and wipe dry.
- Do not use aggressive or abrasive materials.
- To avoid unpleasant smells out of the chamber make the following operation: in deep utensils, suitable for cooking in the electric oven, add a glass of water with juice of one lemon. Set the timer to 5 minutes, switch the mode control to the maximum position. After the signal take the utensils out from the chamber and wipe inside walls with a dry cloth.

STORAGE

- Be sure the appliance is unplugged.
- Complete all requirements of chapter "CLEANING AND CARE".
- Keep electric oven with slightly opened door in a dry cool place.



The symbol on the unit, packing materials and/or documentations means used electrical and electronic units and battery's should not be tossed in the garbage with ordinary household garbage. These units should be passed to special receiving point.

For additional information about actual system of the garbage collection address to the local authority.

Valid utilization will help to save valuable resources and avoid negative work on the public health and environment which happens with incorrect using garbage.

RUS РУКОВОДСТВО ПО ЭКСПЛУАТАЦИИ

МЕРЫ БЕЗОПАСНОСТИ

- ВАЖНЫЕ ИНСТРУКЦИИ ПО БЕЗОПАСНОСТИ. ПРОЧИТАЙТЕ ВНИМАТЕЛЬНО И СОХРАНИТЕ ДЛЯ БУДУЩИХ СПРАВОК. Неправильное обращение с прибором может привести к его поломке и причинить вред пользователю.
- Перед первоначальным включением проверьте, соответствуют ли технические характеристики, указанные на изделии, параметрам электросети.

ВНИМАНИЕ! Вилка шнура питания имеет провод и контакт заземления. Подключайте прибор только к соответствующим заземлённым розеткам

- Использовать только в бытовых целях в соответствии с данным Руководством по эксплуатации. Прибор не предназначен для промышленного применения.
- Не использовать вне помещений.
- Всегда отключайте устройство от электросети перед очисткой, или если Вы его не используете.

- Прибор не предназначен для использования лицами (включая детей) с пониженными физическими, чувственными или умственными способностями или при отсутствии у них опыта или знаний, если они не находятся под контролем или не проинструктированы об использовании прибора лицом, ответственным за их безопасность.
- Не пытайтесь самостоятельно ремонтировать прибор или заменять какие-либо детали. При обнаружении неполадок обращайтесь в ближайший Сервисный центр.
- Дети должны находиться под контролем для недопущения игры с прибором.

ВНИМАНИЕ! Использование печи детьми без надзора разрешается только в том случае, если им объяснены правила безопасного использования печи и те опасности, которые могут возникнуть при ее неправильном пользовании

- Не оставляйте включенный прибор без присмотра.
- Не используйте принадлежность, не входящие в комплект поставки.
- При повреждении шнура питания его замену, во избежание опасности, должен производить изготовитель или уполномоченный им сервисный центр, или аналогичный квалифицированный персонал.

ВНИМАНИЕ! При повреждении дверцы или дверных уплотнений с печью работать нельзя до тех пор, пока квалифицированный специалист не устранит неисправность.

ВНИМАНИЕ! Во избежание опасности повышенной утечки микроволнового излучения все ремонтные работы, связанные со снятием любых крышек, должны выполняться только специалистами.

- Следите, чтобы шнур питания не касался острых кромок и горячих поверхностей.
- Не тяните за шнур питания, не перекручивайте и не обматывайте его вокруг устройства.
- Используйте микроволновую печь только для приготовления продуктов. Ни в коем случае не сушите в ней одежду, бумагу или другие предметы.

ВНИМАНИЕ! Жидкости или другие продукты нельзя разогревать в закрытых емкостях во избежание взрыва этих емкостей.

- При нагреве напитков с помощью микроволн может иметь место последующее бурное кипение, поэтому необходимо проявлять внимание и осторожность при обращении с емкостями.
- Чтобы продукты не лопались во время приготовления, перед закладкой в печь протыкайте ножом или вилкой плотную кожуру или оболочку, например, картофеля, яблок, каштанов, колбасы и т.п.
- При нагреве в печи пищевых продуктов в посуде из пластика или бумаги необходимо наблюдать за печью, чтобы не допустить возгорания.
- Во избежание возгорания в печи необходимо:
 - избегать пригара продуктов в результате слишком продолжительного приготовления;
 - загружать продукты в микроволновую печь без упаковки, в т.ч. без фольги;
 - при появлении дыма необходимо отключить печь и держать дверцу закрытой, чтобы избежать выхода пламени.
- Не включайте печь с пустой камерой. Не используйте камеру для хранения чего-либо.
- Микроволновая печь не предназначена для консервирования продуктов.
- Не выкладывайте продукты непосредственно на дно камеры, используйте стеклянное блюдо.
- Во избежание ожогов необходимо перемешивать или взбалтывать содержимое бутылочек и баночек с детским питанием и проверять температуру пищи перед употреблением.
- Руководствуйтесь рецептами приготовления, но помните, что некоторые продукты (джемы, пудинги, начинки для пирога из миндаля, сахара или цукатов) нагреваются очень быстро.
- Во избежание короткого замыкания и поломки печи, не допускайте попадания воды в вентиляционные отверстия.

ВНИМАНИЕ:

- Продукты следует готовить в специальной посуде, а не выкладывать непосредственно на стеклянное блюдо, за исключением случаев, специально оговоренных в рецепте приготовления блюда.
- Следует использовать только посуду, предназначенную для использования в микроволновых печах.
- Пригодной для приготовления в микроволновых печах посудой следует пользоваться в строгом соответствии с инструкциями изготовителя посуды.
- Помните, что в микроволновой печи содержимое нагревается намного быстрее, чем посуда, поэтому будьте предельно внимательны при извлечении посуды из печи, осторожно открывайте крышку во избежание ожога паром.
- Предварительно удалите с продуктов или из упаковки металлические ленты и фольгу.
- **В микроволновых печах нельзя готовить яйца в скорлупе и разогревать сваренные вкрутую яйца, т.к. они могут взорваться даже после окончания микроволнового нагрева.**
- Ненадлежащее поддержание печи в чистом состоянии может привести к износу поверхности, что может неблагоприятно повлиять на работу прибора и создать возможную опасность для пользователя.
- Если изделие некоторое время находилось при температуре ниже 0°C, перед включением его следует выдержать в комнатных условиях не менее 2 часов.
- Производитель оставляет за собой право без дополнительного уведомления вносить незначительные изменения в конструкцию изделия, кардинально не влияющие на его безопасность, работоспособность и функциональность.
- Дата производства указана на изделии и/или на упаковке, а также в сопроводительной документации.

ПОСУДА ДЛЯ МИКРОВОЛНОВОЙ ПЕЧИ

ВНИМАНИЕ! Руководствуйтесь маркировкой на посуде и указаниями производителя.

ПРИГОДНАЯ

- **Жаропрочное стекло** – наилучший материал посуды для приготовления в микроволновой печи.
- **Термостойкий пластик** – в такой посуде не следует готовить пищу с высоким содержанием жира или сахара. Нельзя использовать плотно закрывающиеся контейнеры.
- **Фаянс и фарфор** – подходят для готовки в микроволновой печи, за исключением позолоченной, посеребренной или посуды с декоративными металлическими элементами.
- **Специальная упаковка** (бумажная, пластиковая и др.), предназначенная для микроволновых печей – строго придерживайтесь указаний изготовителя.

НЕПРИГОДНАЯ

- **Пленка для хранения продуктов, а также термостойкие полиэтиленовые пакеты** – непригодны для жарки мяса и любых других продуктов.
- **Металлическая посуда (алюминиевая, из нержавеющей стали и др.) и пищевая фольга*** – экранируют микроволны; при контакте со стенками жарового шкафа могут вызвать искрение и короткое замыкание в процессе приготовления.

* Можно применять для оборачивания одним слоем отдельных частей продукта во избежание перегрева и пригорания. Не допускайте контакта со стенками, расстояние до них должно быть не меньше 2 см.

- **Плавкие пластики** – не подходят для приготовления в микроволновой печи.
- **Лакированная посуда** – под воздействием микроволн лак может расплавиться.
- **Обычное стекло (в т.ч. фигурное и толстое)** – под воздействием высоких температур может деформироваться.
- **Бумага, соломка, дерево** – под воздействием высокой температуры могут воспламениться.
- **Меламиновая посуда** – может поглощать микроволновое излучение, что вызывает ее растрескивание или термодеструкцию и существенно увеличивает время приготовления.

КАК ОПРЕДЕЛИТЬ, ПОДХОДИТ ЛИ ПОСУДА ДЛЯ МИКРОВОЛНОВОЙ ПЕЧИ?

- Включите печь и установите переключатель режимов работы на максимальную мощность (максимальная температура), поместите в печь на 1 минуту тестируемую посуду и поставьте рядом стакан воды (~ 250 мл).

- Посуда, пригодная для приготовления пищи в микроволновой печи останется той же температуры, что и перед установкой в печь, в то время как вода нагреется.

ПОЛЕЗНЫЕ СОВЕТЫ

- Не используйте посуду с узким горлышком, бутылки, так как они могут взорваться.
- Не используйте термометры для измерения температуры продуктов. Используйте только специальные термометры, предназначенные для микроволновых печей.

ПРЕЖДЕ ЧЕМ ОБРАТИТЬСЯ В СЕРВИС

- Если печь не включается, проверьте:
 - исправность розетки и наличие напряжения в электросети;
 - правильность установки таймера;
 - плотно ли закрыта дверца.

РАДИОПОМЕХИ

- Микроволны могут вызвать помехи при приеме теле- или радиосигналов.
- Чтобы минимизировать помехи:
 - регулярно очищайте дверцы и уплотнители;
 - устанавливайте телевизор и радиоприемник как можно дальше от микроволновой печи;
 - ориентируйте приемную антенну для достижения наилучшего результата.
 - подключите микроволновую печь и приемник к различным линиям электросети.

УСТАНОВКА

- Убедитесь, что внутри печи нет упаковочных материалов и посторонних предметов.
- Проверьте, не повреждены ли при транспортировке:
 - дверца и уплотнители;
 - корпус и смотровое окно;
 - стенки камеры.
- При обнаружении любых дефектов не включайте печь; обратитесь к продавцу или в сервисный центр.
- Установите микроволновую печь на ровную горизонтальную поверхность, достаточно прочную, чтобы выдержать вес печи с продуктами и посудой.
- Не размещайте печь вблизи источников тепла.
- Ничего не кладите на печь. Не перекрывайте вентиляционные отверстия.
- Микроволновую печь не следует располагать в шкафу. Для нормальной работы печи необходимо обеспечить свободное пространство для вентиляции: не менее 30 см сверху, 10 см со стороны задней панели и не менее 7.5 см с боковых сторон.

ПРИЕМЫ ГОТОВКИ В МИКРОВОЛНОВОЙ ПЕЧИ

- Размещайте продукты только в один слой, более толстые куски кладите ближе к краям.
- Следите за временем приготовления, задавайте его по минимуму, постепенно увеличивая по мере необходимости. При слишком продолжительной готовке продукты могут задымиться и загореться.

ПРИМЕЧАНИЕ: Время приготовления также может изменяться в зависимости от формы, размеров и размещения продуктов. Большие или толстые куски готовятся дольше, а мелкие – быстрее.

- Накрывайте продукты специальными крышками или пластиком, отгибая один из углов для выпуска избыточного пара. Крышки очень сильно нагреваются – обращайтесь с ними осторожно!
- Для более равномерного прогрева и ускорения приготовления переворачивайте и перемешивайте продукты.
- Круглые/овальные блюда, в отличие от квадратных/прямоугольных, также обеспечивают более равномерный прогрев.
- Размораживайте продукты без упаковки в неглубоком поддоне или на решетке для микроволновой обработки, обязательно используя вращающееся стеклянное блюдо. Замораживая продукты, придавайте им по возможности компактную форму.
- Расстояние между продуктами, например, овощами, кексами и т.п. должно быть не меньше 2,5 см, чтобы обеспечить равномерную обработку.
- Протыкайте плотную кожуру или оболочку, чтобы избежать разрыва продукта.
- Разогревайте только готовые и охлажденные продукты, перемешивая их.
- Попкорн – строго придерживайтесь инструкций производителя и не оставляйте микроволновую печь без присмотра. Если продукт не готов в положенное время, прервите готовку. Слишком продолжительная обработка может привести к возгоранию.

ПРЕДОСТЕРЕЖЕНИЕ: Не используйте пакеты из коричневой бумаги для приготовления попкорна и не пытайтесь использовать остатки зерен. Не помещайте упаковку с попкорном непосредственно на стеклянное блюдо, кладите его на тарелку.

РАБОТА

- Подключите прибор к электросети.
- При каждом нажатии какой-либо кнопки срабатывает звуковой сигнал подтверждения нажатия. Установка **ТЕКУЩЕГО ВРЕМЕНИ**
- Чтобы установить время, нажмите кнопку «ЧАСЫ», чтобы выбрать 12- или 24-часовой формат вывода времени, а затем введите время, используя цифровые кнопки.
- Например: установка времени 6:35.
- Нажмите кнопку «ЧАСЫ» один или два раза.
- С помощью цифровых кнопок введите время «6:35».
- Нажмите кнопку «ЧАСЫ», чтобы подтвердить введенное время.

ПРИМЕЧАНИЕ: Для вывода текущего времени в процессе приготовления нажмите кнопку «ЧАСЫ».

МИКРОВОЛНЫ

- Максимальное время приготовления – 99 минут и 99 секунд. Для приготовления следует ввести время приготовления и мощность излучения.
- Предположим, что необходимо приготовить продукт в течение 10 минут в режиме микроволнового приготовления с уровнем мощности 60%.
- В режиме ожидания поместите продукт в печь и закройте дверцу.
- Нажмите кнопку «МОЩНОСТЬ» необходимое количество раз, чтобы установить уровень мощности «P-60» (60% от максимальной мощности).

Количество нажатий	Уровень мощности	Описание
1 раз	100% P100	Высокий
2 раза	80% P-80	Умеренно высокий
3 раза	60% P-60	Средний
4 раза	40% P-40	Умеренно низкий
5 раз	20% P-20	Низкий
6 раз	0% P-00	Ноль

- Нажмите кнопку «ВРЕМЯ»

- С помощью цифровых кнопок введите время приготовления «10:00».
- Нажмите кнопку «СТАРТ».

ПРИМЕЧАНИЕ: Чтобы вывести на дисплей уровень мощности в процессе приготовления, нажмите кнопку «POWER».

БЫСТРЫЙ СТАРТ

- Эта функция позволяет быстро включить печь с максимальным уровнем мощности.
- В режиме ожидания поместите продукты в печь и закройте дверцу. Затем нажмите кнопку «БЫСТРЫЙ СТАРТ» нужное количество раз, чтобы установить время. Печь начнет работу сразу после нажатия этой кнопки, и автоматически будет установлен максимальный уровень мощности. Максимальное время приготовления в этом режиме – 10 минут. В режиме приготовления можно добавить время, нажав кнопку «БЫСТРЫЙ СТАРТ».

РАЗМОРОЗКА С УЧЕТОМ ВЕСА

- Эта функция позволяет размораживать мясо, птицу и морепродукты в зависимости от массы продукта, которая вводится пользователем. После ввода массы продукта вычисление времени и мощности разморозки производится автоматически.
- Максимально допустимая масса для каждой категории продуктов показана ниже.

Категория продукта	Максимальная масса	Индикация на дисплее
Мясо	2300 г	d1
Птица	4000 г	d2
Морепродукты	900 г	d3

- Предположим, что требуется разморозить креветки общей массой 600 г.
- В режиме ожидания поместите креветки в печь и закройте дверцу.
- Нажимайте кнопку «РАЗМОРОЗКА ПО ВЕСУ», так чтобы на дисплее отобразилась категория продукта «d3».
- С помощью цифровых кнопок введите массу - 600 г.
- Нажмите кнопку «СТАРТ».

ПРИМЕЧАНИЕ: В процессе разморозки будут подаваться звуковые сигналы, информирующие пользователя о необходимости перевернуть продукт. После сигнала переверните продукт и нажмите кнопку «СТАРТ», чтобы возобновить разморозку.

РАЗМОРОЗКА ПО ВРЕМЕНИ

- Эта функция позволяет размораживать продукты в зависимости от времени, которое вводится пользователем. Максимальное время разморозки – 99 минут и 99 секунд.
- Предположим, что необходимо разморозить продукт в течение 5 минут.
- В режиме ожидания поместите креветки в печь и закройте дверцу.
- Нажмите кнопку «РАЗМОРОЗКА ПО ВРЕМЕНИ».
- С помощью цифровых кнопок введите время «05:00».
- Нажмите кнопку «СТАРТ».
- Примечание: В процессе разморозки будут подаваться звуковые сигналы, информирующие пользователя о необходимости перевернуть продукт. После сигнала переверните продукт и нажмите кнопку «СТАРТ», чтобы возобновить разморозку.

ОТСРОЧКА СТАРТА

- Эта функция позволяет запустить печь в автоматическом режиме в указанное заранее время.
- Предположим, что текущее время - 11:10. Необходимо, чтобы печь включилась автоматически в 11:30. Для этого:
- В режиме ожидания поместите продукт в печь и закройте дверцу.
- Введите программу приготовления.
- Нажмите кнопку «ОТСРОЧКА СТАРТА».
- С помощью цифровых кнопок введите время включения «11:30».
- Нажмите кнопку «СТАРТ».

ПРИМЕЧАНИЕ: Перед началом работы убедитесь, что часы показывают точное время. В режиме программирования запуска вы можете проверить время начала работы, нажав кнопку «ОТСРОЧКА СТАРТА». Если, пока на дисплей выводится время начала работы, нажать кнопку «ОТМЕНА», эта функция будет выключена.

ПРИГОТОВЛЕНИЕ В НЕСКОЛЬКО ЭТАПОВ

- Программа приготовления может состоять из отдельных этапов (не более 3), которые выполняются последовательно. Приготовление в несколько этапов может использоваться при приготовлении блюд по некоторым сложным рецептам.
- Последовательность действий:
- В режиме ожидания поместите продукт в печь и закройте дверцу.
- Введите программу приготовления.
- Нажмите кнопку «ПАМЯТЬ».
- Введите программу приготовления.
- Нажмите кнопку «ПАМЯТЬ».
- Введите программу приготовления.
- Нажмите кнопку «СТАРТ».

ПРИМЕЧАНИЕ: При вводе программы можно запрограммировать только приготовление с помощью микроволнового излучения.

АВТОМАТИЧЕСКОЕ ПРИГОТОВЛЕНИЕ

- Для приготовления продуктов в этом режиме не требуется вводить время приготовления или мощность излучения. Достаточно указать тип продукта и массу. Для этого следует один или несколько раз нажать кнопку с соответствующим символом продукта, чтобы ввести его массу. Например: приготовление цыпленка.
- В режиме ожидания поместите продукт в печь и закройте дверцу.
- Нажмите кнопку с изображением цыпленка несколько раз, чтобы ввести массу продукта.

Продукт	Масса
Птица	150 г 300 г 450 г
Рыба	200 г-600 г
Цыпленок	200 г-600 г
Овощи	200 г-600 г
Рис	150 г 300 г 450 г 600 г
Паста	100 г-300 г
Мясо	200 г-600 г

- Нажмите кнопку «START».

БЛОКИРОВКА ДЛЯ ЗАЩИТЫ ОТ ДЕТЕЙ

- Используйте эту функцию, чтобы защитить печь от случайного использования детьми. Пока блокировка активна, на дисплей будет выводиться индикатор «CHILD LOCK» (ЗАЩИТА ОТ ДЕТЕЙ). В этом случае печь невозможно включить.

- Включення блокування: Натисніть і утримайте в нажатом стані кнопку «ОТМЕНА» в течение 3 секунд. Роздасться звуковий сигнал і на дисплеї виведеться індикатор блокування.
- Вимкнення блокування: Натисніть і утримайте в нажатом стані кнопку «ОТМЕНА» в течение 3 секунд. Індикатор блокування на дисплеї погасне.

ПРИМЕЧАНИЕ: При открытой дверце печь работать не будет.

ОЧИСТКА И УХОД

- Печь следует регулярно чистить и удалять с ее поверхности любые остатки пищи.
- Перед очисткой выключите и отключите печь от электросети.
- Дайте печи полностью остыть.
- Протрите панель управления, внешние и внутренние поверхности, стеклянное блюдо, уплотнители дверцы влажной тканью с моющим средством.
- Не применяйте агрессивные вещества или абразивные материалы.
- Чтобы удалить неприятный запах, налейте в какую-либо глубокую посуду, пригодную для микроволновой печи, стакан воды с соком из одного лимона, и поставьте в печь. Установите таймер на 5 минут, переключатель режимов работы в максимальное положение. Когда раздасться звуковий сигнал і печь відключиться, извлеките посуду і протрите стенки камери сухою тканию.

ХРАНЕНИЕ

- Убедитесь, что печь отключена от электросети и полностью остыла.
- Выполните все требования раздела «ОЧИСТКА И УХОД».
- Храните печь с приоткрытой дверцей в сухом чистом месте.



Данный символ на изделии, упаковке и/или сопроводительной документации означает, что использованные электрические и электронные изделия и батарейки не должны выбрасываться вместе с обычными бытовыми отходами. Их следует сдавать в специализированные пункты приема.

Для получения дополнительной информации о существующих системах сбора отходов обратитесь к местным органам власти.

Правильная утилизация поможет сэкономить ценные ресурсы и предотвратить возможное негативное влияние на здоровье людей и состояние окружающей среды, которое может возникнуть в результате неправильного обращения с отходами.

UA ІНСТРУКЦІЯ З ЕКСПЛУАТАЦІЇ

- Шановний покупець! Ми вдячні Вам за придбання продукції торговельної марки SCARLETT та довіру до нашої компанії. SCARLETT гарантує високу якість та надійну роботу своєї продукції за умов дотримання технічних вимог, вказаних в посібнику з експлуатації.
- Термін служби виробу торговельної марки SCARLETT у разі експлуатації продукції в межах побутових потреб та дотримання правил користування, наведених в посібнику з експлуатації, складає 2 (два) роки з дня передачі виробу користувачеві. Виробник звертає увагу користувачів, що у разі дотримання цих умов, термін служби виробу може значно перевищити вказаний виробником строк.

ЗАХОДИ БЕЗПЕКИ

- **ВАЖЛИВІ ІНСТРУКЦІЇ З БЕЗПЕКИ. ПРОЧИТАЙТЕ УВАЖНО ТА ЗБЕРЕЖІТЬ ЗАДЛЯ МАЙБУТНІХ ДОВІДОК.** Невірне використання приладу може привести до його поломки та завдати шкоду користувачеві.
- Перед першим вмиканням перевірте, чи відповідають технічні характеристики виробу, що зазначені на наклейці, параметрам електромережі.

УВАГА! Вилка шнура живлення має провід та контакт заземлення. Підключайте прилад тільки до відповідних заземлених розеток.

Використовувати тільки у побуті відповідно до даної Інструкції з експлуатації. Прилад не призначений для виробничого використання.

- Використовувати тільки у приміщеннях.
- Завжди відключайте пристрій з електромережі перед очищенням, або якщо Ви його не використовуєте.
- Прилад не призначений для використання особами (включаючи дітей) зі зниженими фізичними, чуттєвими або розумовими здібностями або у разі відсутності у них опиту або знань, якщо вони не знаходяться під контролем або не проінструктовані про використання приладу особою, що відповідає за їх безпеку.
- Діти повинні знаходитись під контролем, задля недопущення ігор з приладом.

УВАГА! Використання печі без нагляду дозволяється дітям тільки тоді, якщо їм були надані відповідні й зрозумілі інструкції про безпечне користування піччю та про ту небезпеку, яка може виникнути у разі невідповідного використання печі.

- Не залишайте увімкнений прилад без догляду.
- Не використовуйте приладдя, що не входить до комплекту поставки.
- У разі пошкодження кабелю живлення, його заміну, з метою запобігання небезпеці, повинен виконувати виробник або уповноважений їм сервісний центр, або аналогічний кваліфікований персонал.

УВАГА! У разі ушкодження дверцят або ущільнювача дверцят працювати з піччю заборонено доти, поки кваліфікований спеціаліст не усуне несправність.

УВАГА! В цілях запобігання небезпеці підвищеного витоку мікрохвильового випромінювання усі ремонтні роботи, пов'язані зі зняттям будь-яких кришок, повинні виконуватись тільки спеціалістами.

- Стежте, щоби шнур живлення не торкався гострих крайок та гарячих поверхонь.
- Не тягніть за шнур живлення, не перекручуйте та не обмотуйте його навколо пристрою.
- Використовуйте мікрохвильову піч тільки для готування їжі. Ні в якому разі не сушіть в ній одяг чи папір, або інші предмети.

УВАГА! Рідину або інші продукти не можна розігрівати у закритих ємностях, щоби запобігти вибуху цих ємностей.

- При нагріванні напоїв за допомогою мікрохвиль може мати місце наступне інтенсивне кипіння, тому необхідно приділяти увагу та обережність при роботі з ємностями.
- Щоби продукти не лопалися під час готування, перед закладкою до печі протикайте ножем, або вилкою їх шкірку, чи оболонку, наприклад, картоплі, яблук, каштанів, ковбаси та ін.
- У разі нагрівання у печі продуктів харчування у посуді з легкозаймистих матеріалів, таких як пластик або папір, необхідно слідкувати за піччю, щоби не допустити займання.
- Щоби уникнути займання у духовій шафі печі необхідно:
 - уникати пригорання продуктів у результаті занадто тривалого готування;
 - закладати продукти у мікрохвильову піч без упаковки, у т.ч. без фольги;
 - у випадку займання в камері, не відкриваючи дверцят, вимкніть піч та відключіть її з електромережі.
- Не вмикайте печі з порожньою камерою. Не використовуйте камеру для збереження будь-чого.
- Мікрохвильова піч не призначена для консервування продуктів.
- Не викладайте продукти безпосередньо на дно камери, використовуйте скляний посуд.
- Завжди перевіряйте температуру готової їжі, особливо, якщо вона призначена для дітей. Не подавайте блюдо до столу відразу ж після приготування, дайте йому трохи охолонути.
- Керуйтеся рецептами приготування, але пам'ятайте, що деякі продукти (джеми, пудинги, начинки для пирога з мигдалю, цукру чи цукатів) нагріваються дуже швидко.
- Щоби уникнути короткого замикання та пошкодження печі, не допускайте потраплення води у вентиляційні отвори.

УВАГА:

- Продукти варто готувати у спеціальному посуді, а не викладати безпосередньо на скляне блюдо, за винятком випадків, особливо обговорених у рецепті приготування.

- Використовуйте тільки посуд, призначений для мікрохвильової печі.
- Придатним для готування у мікрохвильових пічах посудом слід користуватися у строгій відповідності з інструкціями виробника посуду.
- Пам'ятайте, що у мікрохвильовій печі вміст нагрівається набагато швидше, ніж посуд, тому будьте дуже уважні, коли виймаєте посуд з печі, обережно відкривайте кришку щоб не обваритися паром.
- Попередньо видалайте з продуктів, або з їх упаковки металеві стрічки та фольгу.
- **У мікрохвильових печах не можна готувати яйця в шкарлупі та розігрівати зварені вкруту яйця, так як вони можуть вибухнути навіть після закінчення мікрохвильового розігріву.**
- Неналежне утримання печі в чистоті може призвести до зносу поверхні, що може негативно позначитися на роботі приладу і створити потенційну небезпеку для користувача.
- Обладнання відповідає вимогам Технічного регламенту обмеження використання деяких небезпечних речовин в електричному та електронному обладнанні.
- Якщо виріб деякий час знаходився при температурі нижче 0°C, перед увімкненням його слід витримати у кімнаті не менше 2 годин.
- Виробник залишає за собою право без додаткового повідомлення вносити незначні зміни до конструкції виробу, що кардинально не впливають на його безпеку, працездатність та функціональність.
- Дата виробництва вказана на виробі та/або на упаковці, а також у супровідній документації.

ПОСУД ДЛЯ МІКРОХВИЛЬОВОЇ ПЕЧІ

УВАГА! Керуйтеся маркуванням на посуді та вказівками виробника.

ПРИДАТНА

- **Жаростійке скло** – найкращий матеріал посуду для готування у мікрохвильовій печі.
- **Термостійкий пластик** – у такому посуді не слід готувати їжу з високим вмістом жиру, або цукру. Не можна використовувати контейнери, що щільно закриваються.
- **Фаянс і порцеляна** – придатні для приготування у мікрохвильовій печі, за винятком посуду позолоченого, посрібленого, чи з декоративними металевими елементами.
- **Спеціальна упаковка** (паперова, пластикова, та ін.), призначена для мікрохвильових печей – строго дотримуйтесь вказівок виробника.

НЕПРИДАТНА

- **Плівка для збереження продуктів, а також термостійкі поліетиленові пакети** – непридатні для смаження м'яса та будь-яких інших продуктів.
 - **Металевий посуд (алюмінієвий, з нержавіючої сталі та ін.) і продовольча фольга*** – екранують мікрохвилі; при контакт з стінками жарової шафи можуть викликати іскріння та коротке замикання у процесі готування.
- *Можна застосовувати для огортання одним шаром окремих частин продукту щоб уникнути перегріву та пригорання. Не допускайте контакту зі стінками, відстань до них повинна бути не меншою, ніж 2 см.
- **Плавкі пластики** – непридатні для готування у мікрохвильовій печі.
 - **Лакований посуд** – під впливом мікрохвиль лак може розплавитися.
 - **Звичайне скло (у т.ч. фігурне і товсте)** – під впливом високих температур може деформуватися.
 - **Папір, соломка, дерево** – під впливом високої температури можуть зайнятися.
 - **Меламіновий посуд** – може поглинати мікрохвильове випромінювання, що викликає його розтріскування, або термодеструкцію, а також істотно збільшує час приготування.
 - При нагріванні в печі харчових продуктів у посуді з пластику або паперу необхідно стежити за пічкою, щоб не допустити загорання.

ЯК ВИЗНАЧИТИ, ЧИ ПРИДАТНИЙ ПОСУД ДЛЯ МІКРОХВИЛЬОВОЇ ПЕЧІ?

- Увімкніть піч, та установіть перемикач режимів роботи на максимальну потужність (максимальна температура), помістіть у піч на 1 хвилину посуд, що підлягає тестуванню, та поставте поруч склянку води (~ 250 мл).
- Посуд, придатний для готування їжі у мікрохвильовій печі залишиться приблизно тієї ж температури, що і перед установкою у піч, у той час, як вода у склянці нагріється.

КОРИСНІ ПОРАДИ

- Щоби продукти рівномірно прогрівалися перевертайте їх під час готування.
- Не використовуйте посуд з вузьким отвором, пляшки, тому що вони можуть вибухнути.
- Для виміру температури продуктів використовуйте тільки спеціальні термометри, призначені для мікрохвильових печей.

ПЕРШ, НІЖ ЗВЕРНУТИСЯ ДО СЕРВІСУ

- Якщо піч не вмикається, перевірте:
 - справність розетки та наявність напруги у електромережі;
 - правильність установки таймера;
 - чи щільно зачинені дверцята.

РАДІОПЕРЕШКОДИ

- Мікрохвилі можуть викликати перешкоди під час прийому теле-, чи радіосигналів.
- Щоб мінімізувати перешкоди:
 - регулярно очищайте дверцята та ущільнювачі;
 - розміщуйте телевізор чи радіоприймач якнайдалі від мікрохвильової печі;
 - прямуйте прийомну антену для досягнення найкращого результату;
 - підключіть мікрохвильову піч та приймач до різних ліній електромережі.

УСТАНОВКА

- Переконайтеся, що усередині печі немає матеріалів від упаковки та сторонніх предметів.
- Перевірте, чи не ушкодилися при транспортуванні:
 - дверцята та ущільнювачі;
 - корпус та оглядове вікно;
 - стінки камери.
- При виявленні будь-яких дефектів не вмикайте піч; зверніться до продавця, або у сервісний центр.
- Установіть мікрохвильову піч на рівну горизонтальну поверхню, досить міцну, щоб витримати вагу печі з продуктами і посудом.
- Не розміщуйте піч поблизу теплових джерел.
- Нічого не кладіть на піч. Не перекривайте вентиляційні отвори.
- Для нормальної роботи печі необхідно забезпечити простір для вільної вентиляції: не менш: 20 см зверху, 10 см від задньої панелі та й не менш ніж 5 см з бокових сторін.

СПОСОБИ ГОТУВАННЯ У МІКРОХВИЛЬОВІЙ ПЕЧІ

- Розміщуйте продукти тільки одним шаром, товстіші шматки кладіть ближче до країв.
- Стежте за часом готування, задавайте його по мінімуму, поступово збільшуючи при необхідності. При занадто тривалому готуванні продукти можуть задиміти та й зайнятися.

ПРИМІТКА: Час готування також може змінюватися в залежності від форми, розмірів та розміщення продуктів. Великі або товсті шматки готуються довше, а дрібні – швидше.

- Накривайте продукти спеціальними кришками або пластиком, відгинаючи один з кутів для випуску надлишкової пари. Кришки дуже сильно нагріваються – поводьтеся з ними обережно!
- Для більш рівномірного прогріву та прискорення готування перевертайте та перемішуйте продукти.
- Круглі/овальні блюда, на відміну від квадратних/прямокутних, також забезпечують більш рівномірний прогрів.

- Розморозуйте продукти без обгортки у неглибокому піддоні або на решітці для мікрохвильової обробки, обов'язково використовуючи скляне обертове блюдо. Заморожуючи продукти, додавайте їм по можливості компактну форму.
 - Відстань між продуктами, наприклад, овочами, кексами і т.п. повинна бути не меншою за 2,5 см., щоб забезпечити рівномірну обробку.
 - Протикайте щільну шкірку або оболонку, щоб уникнути розриву продукту.
 - Розігрівайте тільки готові та охолоджені продукти, перемішуючи їх.
 - Попкорн – строго дотримуйтеся інструкції виробника та не залишайте мікрохвильову піч без нагляду. Якщо продукт у заданий час не готовий, перервіть готування. Занадто тривала обробка може привести до загоряння.
- ЗАСТЕРЕЖЕННЯ:** Не використовуйте пакети з коричневого папера для готування попкорну та не намагайтеся використовувати залишки зерен. Не розміщуйте огортку з попкорном безпосередньо на склянному блюді, кладіть його на тарілку.

РОБОТА

НАЛАШТУВАННЯ ЧАСУ

- Увімкніть прилад в електромережу.
- З кожним натисканням будь-якої кнопки спрацьовує звуковий сигнал підтвердження натискання. Налаштування ПОТОЧНОГО ЧАСУ
- Щоб налаштувати час, натисніть кнопку «ГОДИННИК» (ЧАСЫ) та оберіть 12- або 24-годинний формат виведення часу, а потім уведіть час, використовуючи цифрові кнопки.
- Наприклад: налаштування часу 6:35.
- Натисніть кнопку «ГОДИННИК» (ЧАСЫ) один раз або двічі.
- За допомогою цифрових кнопок уведіть час «6:35».
- Натисніть кнопку «ГОДИННИК» (ЧАСЫ), щоб підтвердити уведений час.

ПРИМІТКИ: Для виведення поточного часу в процесі приготування, натисніть кнопку «ГОДИННИК» (ЧАСЫ).

МІКРОХВИЛІ

- Максимальний час приготування – 99 хвилин та 99 секунд. Для приготування слід увести час приготування та потужність випромінювання.
- Припустимо, що необхідно приготувати продукт протягом 10 хвилин в режимі мікрохвильового приготування з рівнем потужності 60%.
- В режимі очікування покладіть продукт в піч та закрийте дверцята.
- Натисніть кнопку «ПОТУЖНІСТЬ» (МОЩНОСТЬ) необхідну кількість разів, щоб налаштувати рівень потужності «P-60» (60% від максимальної потужності).

Кількість натискань	Рівень потужності	Опис
1 раз	100% P100	Високий
2 рази	80% P-80	Помірно високий
3 рази	60% P-60	Середній
4 рази	40% P-40	Помірно низький
5 разів	20% P-20	Низький
6 разів	0% P-00	Нуль

- Натисніть кнопку «ЧАС» (ВРЕМЯ)
- За допомогою цифрових кнопок уведіть час приготування «10:00».
- Натисніть кнопку «СТАРТ» (СТАРТ).

ПРИМІТКИ: Щоб вивести на дисплей рівень потужності в процесі приготування, натисніть кнопку «POWER».

ШВИДКИЙ СТАРТ

- Ця функція дозволяє швидко увімкнути піч з максимальним рівнем потужності.
- В режимі очікування покладіть продукти в піч та закрийте дверцята. Потім натисніть кнопку «ШВИДКИЙ СТАРТ» (БЫСТРЫЙ СТАРТ) потрібну кількість разів, щоб налаштувати час. Піч почне роботу одразу після натискання цієї кнопки, та автоматично буде встановлений максимальний рівень потужності. Максимальний час приготування в цьому режимі – 10 хвилин. В режимі приготування можна додавати час, натискаючи кнопку «ШВИДКИЙ СТАРТ» (БЫСТРЫЙ СТАРТ).

РОЗМОРОЖУВАННЯ ЗА ВАГОЮ

- Ця функція дозволяє розморозувати м'ясо, птицю та морепродукти в залежності від маси продукту, що уводиться користувачем. Після введення маси продукту вираховування часу та потужності розморозування виконується автоматично.
- Максимально допустима маса для кожної категорії продуктів вказана нижче.

Категорія продукту	Максимальна маса	Індикація на дисплеї
М'ясо	2300 г	d1
Птиця	4000 г	d2
Морепродукти	900 г	d3

- Припустимо, що необхідно розморозити креветки загальною масою 600 г.
- В режимі очікування покладіть креветки в піч та закрийте дверцята.
- Натискайте кнопку «РОЗМОРОЖУВАННЯ ЗА ВАГОЮ» (РАЗМОРОЗКА ПО ВЕСУ) так, щоб на дисплеї відобразилась категорія продукту «d3».
- За допомогою цифрових кнопок уведіть масу - 600 г.
- Натисніть кнопку «СТАРТ» (СТАРТ).

ПРИМІТКИ: В процесі розморозування будуть подаватися звукові сигнали, що інформують користувача про необхідність перевернути продукт. Після сигналу переверніть продукт та натисніть кнопку «СТАРТ» (СТАРТ), щоб поновити розморозування.

РОЗМОРОЖУВАННЯ ЗА ЧАСОМ

- Ця функція дозволяє розморозувати продукти в залежності від часу, що уводиться користувачем. Максимальний час розморозування – 99 хвилин та 99 секунд.
- Припустимо, що необхідно розморозити продукт протягом 5 хвилин.
- В режимі очікування покладіть креветки в піч та закрийте дверцята.
- Натисніть кнопку «РОЗМОРОЖУВАННЯ ЗА ЧАСОМ» (РАЗМОРОЗКА ПО ВРЕМЕНИ).
- За допомогою цифрових кнопок уведіть час «05:00».
- Натисніть кнопку «СТАРТ» (СТАРТ).
- Примітки: В процесі розморозування будуть подаватися звукові сигнали, що інформують користувача про необхідність перевернути продукт. Після сигналу переверніть продукт та натисніть кнопку «СТАРТ» (СТАРТ), щоб поновити розморозування.

ВІДКЛАДЕНИЙ СТАРТ

- Ця функція дозволяє запустити піч в автоматичному режимі у вказаний попередньо час.
- Припустимо, що поточний час - 11:10. Необхідно, щоб піч увімкнулася автоматично в 11:30. Для цього:
- В режимі очікування покладіть продукт в піч та закрийте дверцята.

- Уведіть програму приготування.
- Натисніть кнопку «ВІДКЛАДЕНИЙ СТАРТ» (ОТСРОЧКА СТАРТА).
- За допомогою цифрових кнопок уведіть час увімкнення «11:30».
- Натисніть кнопку «СТАРТ» (СТАРТ).

ПРИМІТКИ: Перед початком роботи переконайтеся, що годинник показує точний час. В режимі програмування запуску ви можете перевірити час початку роботи, натиснувши кнопку «ВІДКЛАДЕНИЙ СТАРТ» (ОТОРОЧКА СТАРТА). Якщо під час того, як на дисплей виводиться час початку роботи, натиснути кнопку «ВІДМІНА», ця функція буде вимкнена.

ПРИГОТУВАННЯ У ДЕКІЛЬКА ЕТАПІВ

- Програма приготування може складатися з окремих етапів (не більше 3), які виконуються послідовно. Приготування в декілька етапів може використовуватися у разі приготування страв за декількома складними рецептами.
- Послідовність дій:
- В режимі очікування покладіть продукт в піч та закрийте дверцята.
- Уведіть програму приготування.
- Натисніть кнопку «ПАМ'ЯТЬ» (ПАМ'ЯТЬ).
- Уведіть програму приготування.
- Натисніть кнопку «ПАМ'ЯТЬ» (ПАМ'ЯТЬ).
- Уведіть програму приготування.
- Натисніть кнопку «СТАРТ» (СТАРТ).

ПРИМІТКИ: Під час введення програми можна запрограмувати тільки приготування за допомогою мікрохвильового випромінювання.

АВТОМАТИЧНЕ ПРИГОТУВАННЯ

- Для приготування продуктів в цьому режимі не треба вводити час приготування або потужність випромінювання. Достатньо вказати тип продукту та масу. Для цього слід один або декілька разів натиснути кнопку з відповідним символом продукту, щоб увести його масу. Наприклад: приготування курчати.
- В режимі очікування покладіть продукт в піч та закрийте дверцята.
- Натисніть кнопку із зображенням курчати декілька разів, щоб увести масу продукту.

Продукт	Маса
Піца	150 г 300 г 450 г
Риба	200 г-600 г
Курчата	200 г-600 г
Овочі	200 г-600 г
Рис	150 г 300 г 450 г 600 г
Паста	100 г-300 г
М'ясо	200 г-600 г

- Натисніть кнопку «СТАРТ».

БЛОКУВАННЯ ДЛЯ ЗАХИСТУ ВІД ДІТЕЙ

- Використовуйте цю функцію, щоб захистити піч від випадкового використання дітьми. Поки блокування активне, на дисплеї буде виводитися індикатор «CHILD LOCK» (ЗАХИСТ ВІД ДІТЕЙ) (ЗАЩИТА ОТ ДЕТЕЙ). В цьому випадку піч неможливо увімкнути.
- Увімкнення блокування: Натисніть та утримуйте в натиснутому стані кнопку «ВІДМІНА» (ОТМЕНА) протягом 3 секунд. Пролунає звуковий сигнал та на дисплеї виведеться індикатор блокування.
- Вимкніть блокування: Натисніть та утримайте в натиснутому стані кнопку «ВІДМІНА» (ОТМЕНА) протягом 3 секунд. Індикатор блокування на дисплеї згасне.

ПРИМІТКИ: За відчиненими дверцятами піч працювати не буде.

ОЧИЩЕННЯ ТА ДОГЛЯД

- Піч слід регулярно чистити й усувати з її поверхні будь-які залишки їжі.
- Перед очищенням вимкніть та відключіть піч з електромережі.
- Дайте печі цілком охолонути.
- Протріть панель керування, зовнішні та внутрішні поверхні, скляне блюдо вологою тканиною з м'яким засобом.
- Не застосовуйте агресивні речовини, або абразивні матеріали.
- Щоб видалити неприємний запах, налийте у який-небудь глибокий посуд, придатний для мікрохвильової печі, склянку води із соком одного лимона, та поставте у піч. Установіть таймер на 5 хвилин, а перемикач режимів роботи – на максимум. Коли пролунає звуковий сигнал і піч вимкнеться, витягніть посуд та протріть стінки камери сухою тканиною.

ЗБЕРЕЖЕННЯ

- Переконайтеся, що піч відключена з електромережі і цілком охолонула.
- Виконайте усі вимоги розділу "ОЧИЩЕННЯ ТА ДОГЛЯД".
- Зберігайте піч з напіввідчиненими дверцятами у сухому чистому місці.



Цей символ на виробі, упаковці та/або в супровідній документації означає, що електричні та електронні вироби, а також батарейки, що були використані, не повинні викидатися разом із звичайними побутовими відходами. Їх потрібно здавати до спеціалізованих пунктів прийому.

Для отримання додаткової інформації щодо існуючих систем збору відходів зверніться до місцевих органів влади.

Належна утилізація допоможе зберегти цінні ресурси та запобігти можливому негативному впливу на здоров'я людей і стан навколишнього середовища, який може виникнути в результаті неправильного поводження з відходами.

KZ ПАЙДАЛАНУ БАСШЫЛЫҒЫ

- Құрметті сатып алушы! SCARLETT сауда таңбасының өнімін сатып алғаныңыз үшін және біздің компанияға сенім артқаныңыз үшін Сізге алғыс айтамыз. Іске пайдалану нұсқаулығында суреттелген техникалық талаптар орындалған жағдайда, SCARLETT компаниясы өзінің өнімдерінің жоғары сапасы мен сенімді жұмысына кепілдік береді.
- SCARLETT сауда таңбасының бұйымын тұрмыстық мұқтаждар шеңберінде пайдаланған және іске пайдалану нұсқаулығында келтірілген пайдалану ережелерін ұстанған кезде, бұйымның қызмет мерзімі бұйым тұтынушыға табыс етілген күннен бастап 2 (екі) жылды құрайды. Аталған шарттар орындалған жағдайда, бұйымның қызмет мерзімі өндіруші көрсеткен мерзімнен айтарлықтай асуы мүмкін екеніне өндіруші тұтынушылардың назарын аударады.

ҚАУІПСІЗДІК ӨЛШЕМДЕРІ

- ҚАУІПСІЗДІК БОЙЫНША МАҢЫЗДЫ МӘЛІМЕТТЕР. МҰҚИЯТ ОҚЫП ШЫҒЫҒЫЗ ДА, БОЛАШАҚТА ҚАРАУ ҮШІН САҚТАП ҚОЙЫҒЫЗ. Бұйымды дұрыс қолданбау оның бұзылуына әкелуі және сізге зиян келтіруі мүмкін.

- Алғашқы қосудың алдында бұйымның техникалық сипаттамасының жапсырмадағы, электр жүйесінде көрсетілген параметрлеріне сәйкестігін тексеріңіз.

HAZAP! Қоректену бауының шаңышқысының сымы және жерлендіру контактісі бар. Құралды тек қана лайықты – жерлендірілген розеткаларға іске қосыңыз.

- Осы Пайдалану нұсқауына сәйкес тек қана тұрмыстық мақсаттарда қолданылады. Құрал өнеркәсіптік қолдануға арналмаған.
- Жайдан тыс қолданылмайды.
- Жабдықты тазалаудың алдында немесе Сіз оны қолданбасаңыз электр жүйесінен әрқашан сөндіріп тастаңыз.
- Дене, жүйке не болмаса ақыл-ой кемістігі бар, немесе осы құрылғыны қауіпсіз пайдалану үшін тәжірибесі мен білімі жеткіліксіз адамдардың (соның ішінде балалардың) қауіпсіздігі үшін жауап беретін адам қадағаламаса немесе құрылғыны пайдалану бойынша нұсқау бермесе, олардың бұл құрылғыны қолдануына болмайды.
- Құрылғыны өз бетіңізше жөндеуге талпынбаңыз. Олқылықтар пайда болса жақын арадағы сервис орталығына апарыңыз.
- Балалар құрылғымен ойнамауы үшін оларды үнемі қадағалап отыру керек.

ESKERTU! Дұрыс қолданбаған кезде пайда болуы мүмкін қауіптер және пешті қауіпсіз қолдану туралы тисті түрде нұсқаулық түсіндірілген жағдайда ғана балаларға пешті қадағалаусыз қолдануға рұқсат етіледі.

- Қараусыз қосылған құралды қалдырмаңыз.
- Бересі жинаққа енгізілмеген керек-жарақтарды қолданбаңыз.
- Қуат сымы бүлінген жағдайда, қатерден аулақ болу үшін оны ауыстыруды өндіруші немесе ол уәкілеттік берген сервис орталығы немесе соған ұқсас білікті қызметкерлер іске асыруға тиіс.

ESKERTU! Есікшеде немесе есікше нығыздауышында ақау болған жағдайда, білікті маман ақауды жоюға дейін пешпен жұмыс жасауға болмайды.

ESKERTU! Қысқа толқынды сәулелену өтімінің жоғарылау қауіпінен қашу үшін, кезкелген қақпағын түсірумен байланысты барлық жөндеу жұмыстары тек қана маманмен атқарылуға тиісті.

- Қоректену бауының өткір жиектер және ыстық үстілерге тимеуін қадағалаңыз.
 - Қоректену бауынан тартпаңыз, оны ширатпаңыз және құрылғының тұлғасын айнала орамаңыз.
 - Микротолқынды пешті тек қана азықтарды даярлауға қолданыңыз. Еш жағдайда оған киімді, қағазды немесе басқа заттарды кептірмеңіз.
- ESKERTU!** Ыдыстардың жарылуын болдырмау үшін сұйық немесе басқада тамақтарды жабық ыдыстарда қыздыруға болмайды.
- Сусындарды қысқа толқындар көмегімен қыздырған жағдайда бүлкілдеп қайнауға ұласуы мүмкін, сондықтан, ыдыстарды қолданған кезде байқап және сақ болу керек.
 - Өнімдерді даярлау кезінде жарылмауы үшін, пешке салар алдында тығыз қабығын не терісін пышақпен немесе шаңышқымен тесіңіз, мысалы, картоптың, алманың, каштанның, шұжықтың және т.б.
 - Пластик немесе қағаз сияқты тез жанатын материалдардан жасалған ыдыста азықтық тамақтарды пеште қыздырған кезде, жануын болдыртпау үшін пешті бақылап отыру керек.
 - Пештің үрленетін шкафы жанбауы үшін қажет:
 - өнімдердің өте ұзаққа созылған даярлық нәтижесінде күйуінен қашақтау;
 - өнімдерді микротолқынды пешке орамасыз салып, сондай-ақ фольгасыз пісіру;
 - камера тұтанған кезде, есігін ашпай пешті өшіріңіз және оны электр жүйесінен сөндіріп тастаңыз.
 - Пешті бос камерамен қоспаңыз. Камераны бірдеңе сақтауға қолданбаңыз.
 - Микротолқынды пеш азықтарды консервілеуге арналмаған.
 - Азықтарды тікелей камера түбіне қоймаңыз, шыны табақты пайдаланыңыз.
 - Дайын азықтың температурасын әрқашан тексеріңіз, әсіресе, егер ол балалар үшін арналса. Даярлықтан кейін табақты лезде үстелге әкелмеңіз, оған аздап суынуға мұрша беріңіз.
 - Даярлық рецептерін басшылыққа алыңыз, бірақ есте сақтаңыз, кейбір өнімдер (жемдер, пудингілер, ішіне бадам қант немесе цукаттар салынған пирог) өте жылдам қыздырылады.
 - Қысқа тұйықталу және пештің бұзылмауы үшін, желдету тесіктеріне су тигізбеңіз.

HAZAP:

- Азықарды тікелей шыны табаққа емес, арнайы ыдыста даярлау керек, тек арнайы рецеппен даярлайтын кезден ғана.
- Тек қана микротолқынды пештерге микротолқынды ыдысты қолданыңыз.
- Микротолқынды пеште даярлауға жарамды ыдысты оны әзірлеушінің нұсқауларымен қатал сәйкестікте пайдалану керек.
- Есте сақтаңыздар, микротолқынды пештегі ыдыстан бұрын ішіндегісі едәуір жылдам қыздырылады, сондықтан пештен ыдысты шығарар алдында бумен күйіп қалмау үшін ықыласты болыңыз, қақпақты сақ ашыңыз.
- Өнімдерден алдын ала олардың орама бауын немесе металл және фольганы алып тастыңыз.
- **Микротолқынды пештерде жұмыртқаны қабығымен дайындауға және қатты піскен жұмыртқаны жылытуға болмайды, себебі олар микротолқынды қыздыру аяқталғаннан кейін де жарылып кетуі мүмкін.**
- Пешті таза күйінде ұстамау бетінің тозуына алып келеді, бұл аспаптың жұмысына кері әсерін тигізуі және пайдаланушы үшін ықтимал қауіп тудыруы мүмкін.
- Егер бұйым біршама уақыт 0°C-тан төмен температурада тұрса, іске қосар алдында оны кем дегенде 2 сағат бөлме температурасында ұстау керек.
- Өндіруші бұйымның қауіпсіздігіне, жұмыс өнімділігі мен жұмыс мүмкіндіктеріне түбегейлі әсер етпейтін болмашы өзгерістерді оның құрылмасына қосымша ескертпестен енгізу құқығын өзінде қалдырады.
- Өндірілген күні өнімде және/немесе қорапта, сондай-ақ қосымша құжаттарда көрсетілген.

МИКРОТОЛҚЫНДЫ ПЕШКЕ АРНАЛҒАН ЫДЫС

HAZAP! Ыдыстағы таңбалармен және өндірушінің нұсқауларын басшылыққа алыңыз.

ЖАРАМДЫ

- **Қызуға төзімді шыны** – микротолқынды пеште даярлауға арналған ыдыстың ең жақсы материалы.
- **Термоқұшті пластик** – сондай ыдыста майы немесе қанты көп азықты даярлауға болмайды. Тығыз жабылатын контейнерлерді қолдануға болмайды.
- **Фаянс және фарфор** – микротолқынды пеште дайарау үшін жарамды, тек алтынданған, күмістелінген немесе сәндік металл элементтері бар ыдыс болмайды.
- **Арнайы орама** (қағаз, пластикалық және т.б.), микротолқынды пешке арналған – әзірлеушінің нұсқауларын бұлжытпай ұстаныңыз.

ЖАРАМСЫЗ

- **Өнімдердің сақтауына арналған қабыршақ, сонымен қатар термоқұшті полиэтилендік пакеттер** – етті және басқа азықтарды қуыруға жарамсыз.
- **Металл ыдыс (алюминийлік, тоттанбайтын болаттан т.б.) және тамақтық фольга*** – микротолқындарды экрандайды; даярлау барысында қабырғаларға тисе – қуыру шкафта шоқтау және қысқа тұйықталу жасайды.
- **Қызып және күйіп кетпеу үшін*** азықтың бөлек бөлімдерінің бір қабат қана орауға болады. Қабырғаларға тиуге жол бермеңіз, оларға дейінгі ара қашықтық 2 см. кем емес болуы тиісті.
- **Балқығыш пластиктар** – микротолқынды пеште даярау үшін жаарамайды.
- **Лактанған ыдыс** – микротолқындардың әсерінен лак балқуы мүмкін.
- **Өдеттегі шыны (сонымен бірге фигуралық және жуан)** – жоғары қызулардың әсерінен формасы өзгеруі мүмкін.
- **Қағаз, сабан, ағаш** – жоғары қызу әсерінен тұтануы мүмкін.
- **Меламинды ыдыс** – микротолқынды сәулелерді жұта алады, бұл оның шытынауына немесе термодеструкция соқтырады және даярлау уақытын едәуір ұлғайтады.

- Пеште тағам өнімдерін пластмассадан немесе қағаздан жасалған ыдыста қыздырған кезде, жанып кетпеуі үшін пешті қадағалау керек. **МИКРОТОЛҚЫНДЫ ПЕШКЕ АРНАЛҒАН ЫДЫСТЫ ҚАЛАЙ АНЫҚТАУҒА БОЛАДЫ?**
- Барынша көп қуаттылыққа жұмыс тәртіптерінің ауыстырып қосқышын пісіру және орнатуға қосыңыздар (барынша көп температура), сыйғызыңыздар тестіленетін ыдысты 1 минутқа пісіру және су стаканы қасында қойыңыздар (~ 250 мл).
- Ыдыс, жарамды ана микротолқынды ошақтар азық даярлығына арналған қалады ғой температураның, не және құрудың алдында пісіру, сол уақытта су жылынады.

ПАЙДАЛЫ КЕҢЕСТЕР

- Даярлық уақытына олардың өнімдердің біркелкі жылытуына арналған төңкеріңіздер.
- Тар кеңірдекпен ыдысты қолдану, шөлмектің, дәл осылай қалай олар жарыла алады.
- Өнімдердің температура өлшеуіне арналған термометрлерді қолдану. Арнайы термометрлер тек қана қолданыңыздар, арналғандар микротолқынды ошақтардың артынан.

СЕРВИСКЕ БҰРЫЛМАС БҰРЫН

- Егер пісіруге қосылмаса, тексеріңіздер:
 - Розетка тұзулік және электр жүйесінде күштену барысы;
 - Таймер құру дұрыстығы;
 - Тығыз есік жабық.

РАДИОТОСҚАУЫЛДАР

- Қабылдау жанында микротолқынды бөгеттерді шақыра алады денеде – немесе радиосигналдардың.
- Бөгеттер минимизация жасау үшін:
 - Есіктер және есіктер мен тығыздағыштар
 - Микротолқынды ошақтан алысырақ болады қалай теледидар және радиоқабылдағышты қондырыңыздар;
 - Ең жақсы нәтиже жетуіне арналған қабылдау антеннаны ыңғайын табыңыздар.
 - Пісіру микротолқынды қосыңыздар және электр жүйесі әртүрлі сызықтарына қабылдағыш.

ҚҰРУ

- Көзі жетесіздер, не ошақ ішінде буып-түйетін материалдардың және бөтен заттарды жоқ.
- Тексеріңіздер, зақымдалған емес тасу жанында:
 - есіктер мен тығыздағыштар;
 - Дене және байқау терезе;
 - Камера қабырғалары.
- Табылуда – ақауларды пісіруге қоспаңыздар; сатушыға немесе сервисті орталыққа бұрыласыздар.
- Тегіс горизонтальдық бетке пісіру микротолқынды орнатыңыздар, жеткілікті берікті, өнімдермен және ыдыспен ошақ салмағы шыдау үшін.
- Қайнарлар жақын маңда пісіруге орналастырмаңыздар тепла.
- Ештеңе қойып қоймаңыздар пісіру. Желдету тесіктерді қайта жаппаңыздар.
- Үшін ошақ нормалы жұмыстары желдетуге арналған азат кеңістік қажетті қамсыздандыру: кемірек емес: 20 см сверху, 10 см артқы панель жағынан және кемірек емес 5 см жақ жақтардан.

МИКРОТОЛҚЫНДЫ ОШАҚТАР ДАЙЫНДЫҚ ҚАБЫЛДАУЛАРЫ

- Азықтарды тек қана бір қабат орналастырыңыз, жуан кесектер шетіне жақынырақ қойыңыз.
- Даярлық уақытының ар жағында қадағалаңыздар, минимуммен оның сұрау қойыңыздар, қажеттілік өлшемімен бірте-бірте үлкейті. Өте ұзаққа созылғанның дайындыққа өнімдер түтей алады және тұтану.

ЕСКЕРТУ: Даярлау уақыты сонымен қатар азықтардың түрі, мөлшері және орналастырылуына тәуелді өзгере алады. Үлкен немесе жуан кесектер ұзағырақ әзірленеді, ал майдалары – тезірек.

- Азықтарды арнайы қақпақшалармен немесе пластикпен бір ұшын артық бұдың шығуы үшін қайырып жабыңыз, шығаруға арналған бұрыштардың екі. Қақпақшалар өте қатты қызады – олармен сақ болыңыз!
- Үшін біркелкі жылыту көбірек және даярлық тездетулері өнімдерді төңкеріңіздер және араластырыңыздар.
- Дөңгелектер | сопақ табақтың, айырмашылыққа квадраттардың тік бұрыштылардың, біркелкі жылыту көбірек сонымен қатар қамсыздандырады.
- Азықтарды орамасыз терең емес тұғырықта немесе микротолқынды өңдеуге арналған торда айналмалы шыны табақты міндетті қолданып жібітіңіз. Өнімдерді тоңазытқанда, оларға мүмкіндігінше ықшам түрді беріңіз.
- Азықтардың ара қашықтығы біркелкі өңдеуді қамсыздандыру үшін, мысалы, көкөністермен, кекстермен және т.б., 2,5 см аз емес болуға тиіс.
- Азықтың жарылмауы үшін тығыз қабығын немесе тысын тесіңіз.
- Тек қана дайын және мұздалған азықтарды оларды араластыра қыздырыңыз.
- Попкорн – өндірушінің нұсқауларын қатал ұстаныңыз және микротолқынды пешті қарусыз қалдырмаңыз. Егер азық тиісті уақытта дайын болмаса, пісіруді тоқтатыңыз. Өте ұзаққа созылған өңдеу өртенуге әкелуі мүмкін.

САҚТЫҚ: Попкорнды даярлау үшін қызыл қоңыр қағаздан жасалған пакеттерді қолданбаңыз және дөңдердің қалдықтарын қолдануға тырыспаңыз. Попкорнның орамасын тікелей шыны табаққа орналастырмаңыз, оны төрелкеге қойыңыз.

ЖҰМЫСЫ

УАҚЫТТЫ ОРНАТУ

- Аспапты электр желісіне жалғаңыз.
- Қандай да бір түймеше басылған сайын басуды растайтын дыбыстық белгі іске қосылады. **АҒЫМДАҒЫ УАҚЫТТЫ** орнату
- Уақытты орнату үшін «ЧАСЫ» (сағат) түймешігін басып, уақытты көрсетудің 12 немесе 24 сағаттық пішімін таңдаңыз да, содан кейін сандық түймешіктердің көмегімен уақытты енгізіңіз.
- Мысалы: уақытты орнату 6: 35.
- «ЧАСЫ» (сағат) түймешігін бір немесе екі рет басыңыз.
- Сандық түймешіктердің көмегімен «6:35» уақытты енгізіңіз.
- Енгізілген уақытты растау үшін «ЧАСЫ» (сағат) түймешігін басыңыз.

ЕСКЕРТПЕ: Тамақ дайындау кезінде ағымдағы уақытты көрсету үшін «ЧАСЫ» (сағат) түймешігін басыңыз.

МИКРОТОЛҚЫНДАР

- Тамақ дайындаудың ең ұзақ уақыты – 99 минут 99 секунд. Тамақ дайындау үшін тамақ пісіру уақытын және сәулелену қуатын енгізу керек.
- Айталық, азық-түлікті 10 минут бойы, қуат деңгейі 60% болатын микротолқынмен тамақ дайындау режимінде дайындау керек.
- Қуту режимінде азық-түлікті пешке салыңыз да, есігін жабыңыз.
- «МОЩНОСТЬ» (қуат) түймешігін «P-60» (ең үлкен қуаттың 60%-ы) қуат деңгейін орнату үшін қажет болғанына қарай бірнеше рет басыңыз.

Түймешікті басу саны	Қуаттылық деңгейі	Суреттемесі
1 рет	100% P100	Жоғары
2 рет	80% P-80	Сәл жоғары
3 рет	60% P-60	Орташа

4 рет	40% P-40	Сәл төмен
5 рет	20% P-20	Төмен
6 рет	0% P-00	Нөл

- «ВРЕМЯ» (уақыт) түймешігін басыңыз.
- Сандық түймешіктердің көмегімен «10:00» дайындау уақытын енгізіңіз.
- «СТАРТ» түймешігін басыңыз.

ЕСКЕРТПЕ: Тамақ дайындау кезінде бейнебетке қуат деңгейін шығару үшін «POWER» (қуат) түймешігін басыңыз.

ТЕЗ БАСТАУ (БЫСТРЫЙ СТАРТ)

- Бұл функция пешті ең үлкен қуат деңгейінде тез іске қосуға мүмкіндік береді.
- Күту режимінде азық-түлікті пешке салыңыз да, есігін жабыңыз. Содан кейін уақытты орнату үшін «БЫСТРЫЙ СТАРТ» (тез бастау) түймешігін қажетіне қарай бірнеше рет басыңыз. Осы түймешік басылған бетте пеш бірден жұмыс істей бастайды да, ең үлкен қуат деңгейі автоматты түрде орнатылады. Бұл режимде тамақ дайындаудың ең ұзақ уақыты – 10 минут. Тамақ дайындау режимінде «БЫСТРЫЙ СТАРТ» (тез бастау) түймешігін басу арқылы уақытты қосуға болады.

САЛМАҒЫН ЕСКЕРЕ ОТЫРЫП ЖІБІТУ

- Бұл функция пайдаланушы енгізетін азық-түліктің салмағының қандай болуына қарай етті, құс етін және теңіз өнімдерін жібітуге мүмкіндік береді. Азық-түліктің салмағын енгізгеннен кейін жібітудің уақыты мен қуаттылығын есептеп шығару автоматты түрде іске асырылады.
- Азық-түліктің әр санаты бойынша шекті рұқсат етілетін салмақ төменде көрсетілген.

Азық-түліктің санаты	Ең үлкен салмағы	Бейнебеттегі индикатор
Ет	2300 г	d1
Құс еті	4000 г	d2
Теңіз өнімдері	900 г	d3

- Айталық, жалпы салмағы 600 грамм асшаянды жібіту қажет.
- Күту режимінде асшаяндарды пешке салыңыз да, есігін жабыңыз.
- Бейнебетте экранында азық-түліктің «d3» деген санаты бейнеленгенше «РАЗМОРОЗКА ПО ВЕСУ» (салмағы бойынша жібіту) түймешігін баса беріңіз.
- Сандық түймешіктердің көмегімен 600 грамм салмақты енгізіңіз.
- «СТАРТ» түймешігін басыңыз.

ЕСКЕРТПЕ: Жібіту барысында азық-түлікті аударыстыру қажет екені туралы пайдаланушыға хабар беретін дыбыстық белгілер беріледі. Дыбыстық белгіден кейін азық-түлікті аударыстырыңыз да, жібітуді жалғастыру үшін «СТАРТ» (бастау) түймешігін басыңыз.

УАҚЫТ БОЙЫНША ЖІБІТУ

- Бұл функция пайдаланушы енгізетін уақытың қандай болуына қарай азық-түлікті жібітуге мүмкіндік береді. Тамақ дайындаудың ең ұзақ уақыты – 99 минут 99 секунд.
- Айталық, азық-түлікті 5 минут бойы жібіту қажет.
- Күту режимінде асшаяндарды пешке салыңыз да, есігін жабыңыз.
- «РАЗМОРОЗКА ПО ВРЕМЕНИ» (уақыт бойынша жібіту) түймешігін басыңыз.
- Сандық түймешіктердің көмегімен «05:00» уақытты енгізіңіз.
- «СТАРТ» түймешігін басыңыз.
- Ескертпе: Жібіту барысында азық-түлікті аударыстыру қажет екені туралы пайдаланушыға хабар беретін дыбыстық белгілер беріледі. Дыбыстық белгіден кейін азық-түлікті аударыстырыңыз да, жібітуді жалғастыру үшін «СТАРТ» (бастау) түймешігін басыңыз.

БАСТАУДЫ КЕЙІНГЕ ҚАЛДЫРУ

- Бұл функция алдын ала көрсетілген уақытта пешті автоматты түрде іске қосуға мүмкіндік береді.
- Айталық, ағымдағы уақыт – 11:10. Пеш сағат 11:30-де автоматты түрде іске қосылуға тиіс. Бұл үшін:
- Күту режимінде азық-түлікті пешке салыңыз да, есігін жабыңыз.
- Тамақ дайындау уақытын енгізіңіз.
- «ОТСРОЧКА СТАРТА» (бастауды кейінге қалдыру) түймешігін басыңыз.
- Сандық түймешіктердің көмегімен «11:30» іске қосу уақытын енгізіңіз.
- «СТАРТ» түймешігін басыңыз.

ЕСКЕРТПЕ: Жұмысты бастар алдында сағаттың дәл уақытты көрсетіп тұрғанына көз жеткізіңіз. Іске қосуды бағдарламалау режимінде «ОТСРОЧКА СТАРТА» (бастауды кейінге қалдыру) түймешігін басу арқылы жұмыстың басталу уақытын тексеруіңізге болады. Егер бейнебетке экранында жұмыстың басталу уақыты шығарылып жатқанда «ОТМЕНА» (болдырмау) түймешігін басылса, бұл функция өшіріледі.

БІРНЕШЕ КЕЗЕҢГЕ БӨЛІП ПІСІРУ

- Тамақ дайындау бағдарламасы кезегімен орындалатын жекелеген кезеңдерден (көп дегенде 3) тұруы мүмкін. Бірнеше кезеңге бөліп пісіруді кейбір күрделі рецептер бойынша тамақ дайындаған кезде пайдалануға болады.
- Әрекеттердің кезектілігі:
- Күту режимінде азық-түлікті пешке салыңыз да, есігін жабыңыз.
- Тамақ дайындау бағдарламасын енгізіңіз.
- «ПАМЯТЬ» (жады) түймешігін басыңыз.
- Тамақ дайындау бағдарламасын енгізіңіз.
- «ПАМЯТЬ» (жады) түймешігін басыңыз.
- Тамақ дайындау бағдарламасын енгізіңіз.
- «СТАРТ» түймешігін басыңыз.

ЕСКЕРТПЕ: Бағдарламаны енгізген кезде тек микротолқынды сәулеленудің көмегімен тамақ дайындауды ғана бағдарламалауға болады.

АВТОМАТТЫ ТҮРДЕ ТАҒАМ ДАЙЫНДАУ

- Бұл режимде тамақ дайындау үшін тамақ дайындау уақытын немесе сәулелену қуаттылығын енгізу қажет емес. Азық-түліктің түрі мен салмағын енгізсе жеткілікті. Бұл үшін, азық-түліктің салмағын енгізу үшін оның тиісті белгісі бар түймешікті бір рет немесе бірнеше рет басу керек. Мысалы: тауық етін дайындау.
- Күту режимінде азық-түлікті пешке салыңыз да, есігін жабыңыз.
- Азық-түліктің салмағын енгізу үшін тауықтың суреті бар түймешікті бірнеше рет басыңыз.

Азық-түлік	Салмағы
Пицца	150 г 300 г 450 г
Балық	200 г - 600 г
Тауық	200 г - 600 г
Көкөніс	200 г - 600 г

Күріш	150 г 300 г 450 г 600 г
Макарон	100 г - 300 г
Ет	200 г - 600 г

- «START» түймешігін басыңыз.

БАЛАЛАРДАН ҚОРҒАУ ҚҰЛПЫ

- Пешті балалардың кездейсоқ іске қосыуынан қорғау үшін осы функцияны пайдаланыңыз, Құлыптау іске қосылуы тұрғанда бейнебетке «CHILD LOCK» (БАЛАЛАРДАН ҚОРҒАУ) индикаторы шығарылып тұрады. Мұндай жағдайда пешті іске қосу мүмкін емес.
- Құлыптауды іске қосу: «ОТМЕНА» (болдырмау) түймешігін басыңыз да, басулы күйде 3 секунд ұстап тұрыңыз. Дыбыстық белгі беріледі де, бейнебетте құлыптау индикаторы көрсетіледі.
- Құлыптауды өшіру: «ОТМЕНА» (болдырмау) түймешігін басыңыз да, басулы күйде 3 секунд ұстап тұрыңыз. Бейнебеттегі құлыптау индикаторы сөнеді.

ЕСКЕРІМ: Есік ашық тұрғанда пеш жұмыс істемейді.

ТАЗАЛАУ ЖӘНЕ КҮТІМ

- Пешті тұрақты түрде тазарту және оның бетінен кез келген тағам қалдығын жою керек.
- Тазалаудың алдында электр жүйесінен пісіруге өшіріңіздер және сөндіріп тастаңыздар.
- Ошақтар толық суынуға беріңіз.
- Жуатын құралмен дымқыл матамен басқару панель, сыртқы және ішкі беттер, шыны табақты сүртіңіздер.
- Агрессиялық заттар немесе қайрақ материалдарды қолданбаңыздар.
- Жағымсыз иіс қашықтату үшін, қандай болмасын терең ыдысқа құйыңыздар, жарамдыны микротолқынды ошақтардың артынан, су стаканы бір лимоннан шырынмен, және қойыңыздар пісіру 5 минутқа таймер, барынша көп жайға жұмыс тәртіптерінің ауыстырып қосқышын орнатыңыздар. Қашан дыбысты сигнал естіледі және сөніп қалуға пісіру, извлеките ыдысты және матамен құрғақ камера қабырғалары сүртіңіздер.

САҚТАУ

- Көзі жетесіздер, не электр жүйесінен сөндірілгенге пісіру және толық суынды.
- Бөлім талаптары барлық орындаңыздар "ТАЗАЛАУ ЖӘНЕ КҮТІМ".
- Құрғақ таза орында есікпен аздап ашықпен пісіруге сақтаңыздар.



Өнімдегі, қораптағы және/немесе қосымша құжаттағы осындай белгі қолданылған электрлік және электрондық бұйымдар мен батареялар кәдімгі тұрмыстық қалдықтармен бірге шығарылмауы керек дегенді білдіреді. Оларды арнайы қабылдау бөлімшелеріне өткізу қажет.

Қалдықтарды жинау жүйелері туралы қосымша мәліметтер алу үшін жергілікті басқару органдарына хабарласыңыз.

Қалдықтарды дұрыс кәдеге жарату бағалы ресурстарды сақтауға және қалдықтарды дұрыс шығармау салдарынан адамның денсаулығына және қоршаған ортаға келетін теріс әсерлердің алдын алуға көмектеседі.