

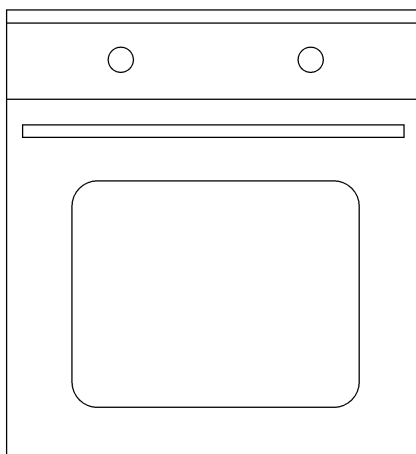
# Built-in Oven

User Manual

# Встраиваемый духовой шкаф

Руководство  
пользователя

BIMM25400XMS



## Please read this user manual first!

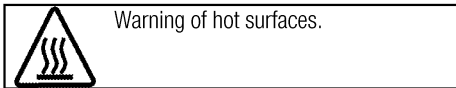
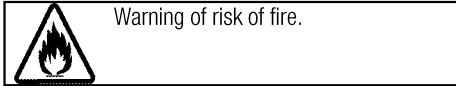
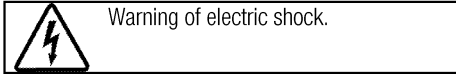
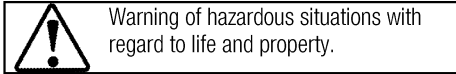
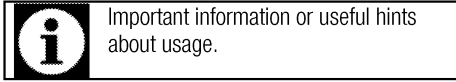
Dear Customer,

Thank you for purchasing this Beko product. We hope that you get the best results from your product which has been manufactured with high quality and state-of-the-art technology. Therefore, please read this entire user manual and all other accompanying documents carefully before using the product and keep it as a reference for future use. If you handover the product to someone else, give the user manual as well. Follow all warnings and information in the user manual.

Remember that this user manual is also applicable for several other models. Differences between models will be identified in the manual.

### Explanation of symbols

Throughout this user manual the following symbols are used:



### **Arçelik A.Ş.**

Karaağaç caddesi No:2-6  
34445 Sıtlüce/Istanbul/TURKEY

Made in TURKEY



This product was manufactured using the latest technology in environmentally friendly conditions.

---

## TABLE OF CONTENTS

### **1 Important instructions and warnings for safety and environment 4**

General safety .....	4
Electrical safety .....	4
Product safety .....	5
Intended use .....	6
Safety for children.....	7
Disposing of the old product.....	7
Package information .....	7

### **2 General information 8**

Overview .....	8
Package contents .....	9
Technical specifications .....	10

### **3 Installation 11**

Before installation .....	11
Installation and connection .....	13
Future Transportation.....	14

### **4 Preparation 15**

Tips for saving energy .....	15
Initial use .....	15
Time setting .....	15
First cleaning of the appliance .....	15
Initial heating.....	15

### **5 How to operate the oven 17**

General information on baking, roasting and grilling	17
How to operate the electric oven .....	17
Operating modes.....	18
How to operate the oven control unit .....	20
Cooking times table.....	24
How to operate the grill.....	26
Cooking times table for grilling .....	26

### **6 Maintenance and care 27**

General information .....	27
Cleaning the control panel .....	27
Cleaning the oven .....	27
Removing the oven door .....	27
Removing the door inner glass .....	28
Replacing the oven lamp.....	29

### **7 Troubleshooting 30**

## **1 Important instructions and warnings for safety and environment**

This section contains safety instructions that will help protect from risk of personal injury or property damage. Failure to follow these instructions shall void any warranty.

### **General safety**

- This appliance can be used by children aged from 8 years and above and persons with reduced physical, sensory or mental capabilities or lack of experience and knowledge if they have been given supervision or instruction concerning use of the appliance in a safe way and understand the hazards involved.

Children shall not play with the appliance. Cleaning and user maintenance shall not be made by children without supervision.

- Installation and repair procedures must always be performed by Authorized Service Agents. The manufacturer shall not be held responsible for damages arising from procedures carried out by unauthorized persons which may also void the warranty. Before installation, read the instructions carefully.
- Do not operate the product if it is defective or has any visible damage.

- Ensure that the product function knobs are switched off after every use.

### **Electrical safety**

- If the product has a failure, it should not be operated unless it is repaired by an Authorized Service Agent. There is the risk of electric shock!
- Only connect the product to a grounded outlet/line with the voltage and protection as specified in the “Technical specifications”. Have the grounding installation made by a qualified electrician while using the product with or without a transformer. Our company shall not be liable for any problems arising due to the product not being earthed in accordance with the local regulations.
- Never wash the product by spreading or pouring water onto it! There is the risk of electric shock!
- Never touch the plug with wet hands! Never unplug by pulling on the cable, always pull out by grabbing the plug.
- The product must be disconnected during installation, maintenance, cleaning and repairing procedures.

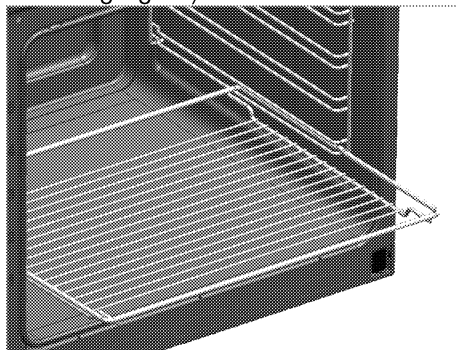
- If the power connection cable for the product is damaged, it must be replaced by the manufacturer, its service agent or similarly qualified persons in order to avoid a hazard.
- The appliance must be installed so that it can be completely disconnected from the mains supply. The separation must be provided by a switch built into the fixed electrical installation, according to construction regulations.
- Rear surface of the oven gets hot when it is in use. Make sure that the electrical connection does not contact the rear surface; otherwise, connections can get damaged.
- Do not trap the mains cable between the oven door and frame and do not route it over hot surfaces. Otherwise, cable insulation may melt and cause fire as a result of short circuit.
- Any work on electrical equipment and systems should only be carried out by authorized and qualified persons.
- In case of any damage, switch off the product and disconnect it from the mains. To do this, turn off the fuse at home.
- Make sure that fuse rating is compatible with the product.

## Product safety

- The appliance and its accessible parts become hot during use. Care should be taken to avoid touching heating elements. Children less than 8 years of age shall be kept away unless continuously supervised.
- Never use the product when your judgment or coordination is impaired by the use of alcohol and/or drugs.
- Be careful when using alcoholic drinks in your dishes. Alcohol evaporates at high temperatures and may cause fire since it can ignite when it comes into contact with hot surfaces.
- Do not place any flammable materials close to the product as the sides may become hot during use.
- During use the appliance becomes hot. Care should be taken to avoid touching heating elements inside the oven.
- Keep all ventilation slots clear of obstructions.
- Do not heat closed tins and glass jars in the oven. The pressure that would build-up in the tin/jar may cause it to burst.
- Do not place baking trays, dishes or aluminium foil directly onto the bottom of the oven. The heat

accumulation might damage the bottom of the oven.

- Do not use harsh abrasive cleaners or sharp metal scrapers to clean the oven door glass since they can scratch the surface, which may result in shattering of the glass.
- Do not use steam cleaners to clean the appliance as this may cause an electric shock.
- Placing the wire shelf and tray onto the wire racks properly  
It is important to place the wire shelf and/or tray onto the rack properly. Slide the wire shelf or tray between 2 rails and make sure that it is balanced before placing food on it (Please see the following figure).



- Do not use the product if the front door glass removed or cracked.
- Do not use the oven handle to hang towels for drying. Do not hang up towel, gloves, or similar textile products when the grill function is at open door.

- Always use heat resistant oven gloves when putting in or removing dishes into/from the hot oven.
- Ensure that the appliance is switched off before replacing the lamp to avoid the possibility of electric shock.
- Only use the temperature probe recommended for this oven.

Prevention against possible fire risk!

- Ensure all electrical connections are secure and tight to prevent risk of arcing.
- Do not use damaged cables or extension cables.
- Ensure liquid or moisture is not accessible to the electrical connection point.

#### Intended use

- This product is designed for domestic use. Commercial use will void the guarantee.
- This appliance is for cooking purposes only. It must not be used for other purposes, for example room heating.
- This product should not be used for warming the plates under the grill, drying towels, dish cloths etc. by hanging them on the oven door handles. This product should also not be used for room heating purposes.

- The manufacturer shall not be liable for any damage caused by improper use or handling errors.
- The oven can be used for defrosting, baking, roasting and grilling food.

### Safety for children

- Accessible parts may become hot during use. Young children should be kept away.
- The packaging materials will be dangerous for children. Keep the packaging materials away from children. Please dispose of all parts of the packaging according to environmental standards.
- Electrical products are dangerous to children. Keep children away from the product when it is operating and do not allow them to play with the product.
- Do not place any items above the appliance that children may reach for.
- When the door is open, do not load any heavy object on it and do

not allow children to sit on it. It may overturn or door hinges may get damaged.

### Disposing of the old product

#### Compliance with the WEEE Directive and Disposing of the Waste Product:



This product complies with EU WEEE Directive (2012/19/EU). This product bears a classification symbol for waste electrical and electronic equipment (WEEE).

This product has been manufactured with high quality parts and materials which can be reused and are suitable for recycling. Do not dispose of the waste product with normal domestic and other wastes at the end of its service life. Take it to the collection center for the recycling of electrical and electronic equipment. Please consult your local authorities to learn about these collection centers.

#### Compliance with RoHS Directive:

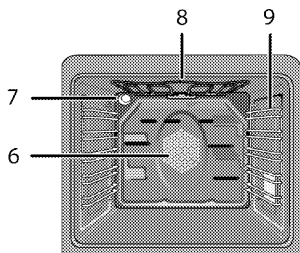
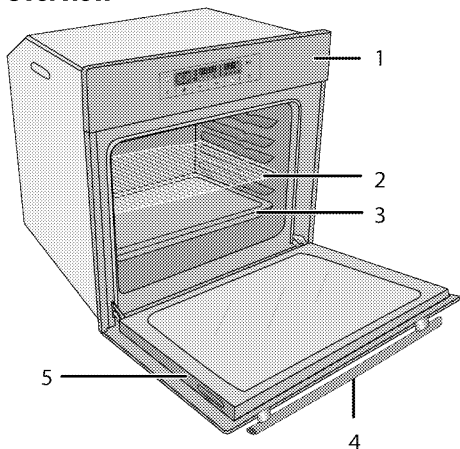
The product you have purchased complies with EU RoHS Directive (2011/65/EU). It does not contain harmful and prohibited materials specified in the Directive.

### Package information

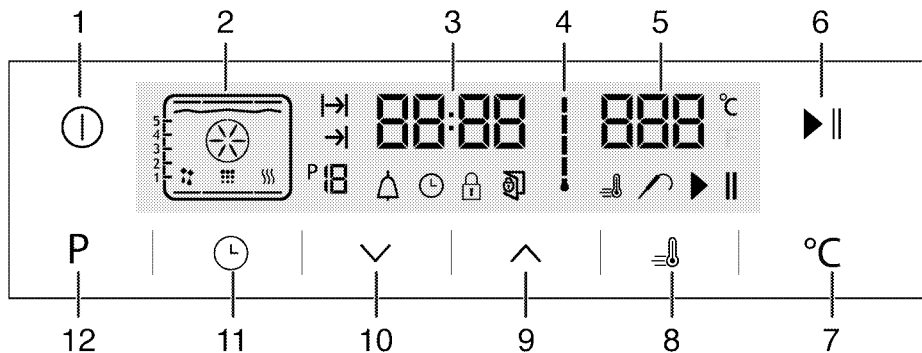
- Packaging materials of the product are manufactured from recyclable materials in accordance with our National Environment Regulations. Do not dispose of the packaging materials together with the domestic or other wastes. Take them to the packaging material collection points designated by the local authorities.

## 2 General information

### Overview



- |   |               |   |                                |
|---|---------------|---|--------------------------------|
| 1 | Control panel | 6 | Fan motor (behind steel plate) |
| 2 | Wire shelf    | 7 | Lamp                           |
| 3 | Tray          | 8 | Top heating element            |
| 4 | Handle        | 9 | Shelf positions                |
| 5 | Door          |   |                                |



- |    |                                    |
|----|------------------------------------|
| 1  | ON/OFF key                         |
| 2  | Function display                   |
| 3  | Current time indicator field       |
| 4  | Oven Inner Temperature symbol      |
| 5  | Temperature indicator field        |
| 6  | Start/stop cooking key             |
| 7  | Temperature setting key            |
| 8  | Booster symbol (rapid pre-heating) |
| 9  | Plus key                           |
| 10 | Minus key                          |
| 11 | Adjustment key                     |
| 12 | Return Key to function display     |



## Package contents

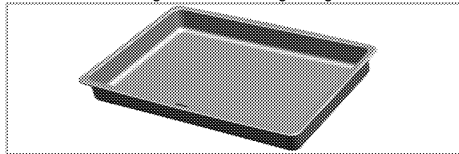


Accessories supplied can vary depending on the product model. Not every accessory described in the user manual may exist on your product.

1. **User manual**

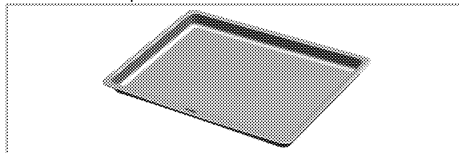
2. **Deep tray**

Used for pastries, large roasts, juicy dishes, and for collecting the fat while grilling.



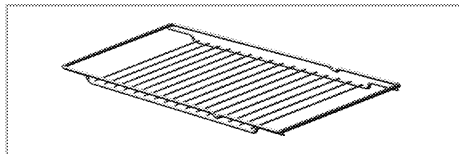
3. **Pastry tray**

Used for pastries such as cookies and biscuits.



4. **Wire Shelf**

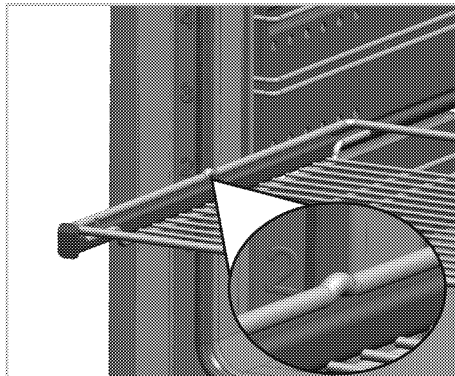
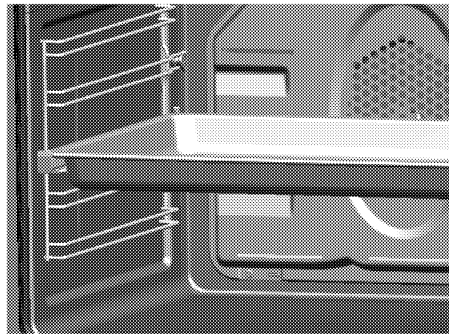
Used for roasting and for placing the food to be baked, roasted or cooked in casserole dishes to the desired rack.



5. **Placing the wire shelf and tray onto the telescopic racks properly**

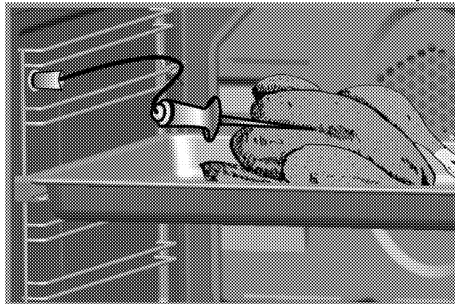
Telescopic racks allow you to install and remove the trays and wire shelf easily.

When using the tray and wire shelf with telescopic racks, make sure that the pins at the rear section of the telescopic rack stands against the edges of the wire shelf and tray.



6. **Meat probe**

When cooking meat dishes, it is used by stabbing its thin and long end into the meat and attaching the other end to its slot on the side wall of the chassis in order to cook the dish delicately.



## Technical specifications

Voltage / frequency	220-240 V ~ 50 Hz
Total power consumption	3.1 kW
Fuse	min. 16 A
Cable type / section	H05VV-FG 3 x 1,5 mm <sup>2</sup>
Cable length	max. 2 m
External dimensions (height / width / depth)	595 mm/594 mm/567 mm
Installation dimensions (height / width / depth)	**590 or 600 mm/560 mm/min. 550 mm
Main oven	<b>Multifunction oven</b>
Inner lamp	15/25 W
Grill power consumption	2.2 kW

# Basics: Information on the energy label of electrical ovens is given in accordance with the EN 60350-1 / IEC 60350-1 standard. Those values are determined under standard load with bottom-top heater or fan assisted heating (if any) functions.

Energy efficiency class is determined in accordance with the following prioritization depending on whether the relevant functions exist on the product or not. 1-Cooking with eco-fan, 2- Turbo slow cooking, 3- Turbo cooking, 4- Fan assisted bottom/top heating, 5-Top and bottom heating.

\*\* See. *Installation*, page 11.



Technical specifications may be changed without prior notice to improve the quality of the product.



Figures in this manual are schematic and may not exactly match your product.



Values stated on the product labels or in the documentation accompanying it are obtained in laboratory conditions in accordance with relevant standards. Depending on operational and environmental conditions of the product, these values may vary.

### 3 Installation

Product must be installed by a qualified person in accordance with the regulations in force. The manufacturer shall not be held responsible for damages arising from procedures carried out by unauthorized persons which may also void the warranty.



Preparation of location and electrical installation for the product is under customer's responsibility.



**DANGER:**

The product must be installed in accordance with all local electrical regulations.



**DANGER:**

Prior to installation, visually check if the product has any defects on it. If so, do not have it installed.

Damaged products cause risks for your safety.

#### Before installation

The appliance is intended for installation in commercially available kitchen cabinets. A safety

distance must be left between the appliance and the kitchen walls and furniture. See figure (values in mm).

- Surfaces, synthetic laminates and adhesives used must be heat resistant (100 °C minimum).
- Kitchen cabinets must be set level and fixed.
- If there is a drawer beneath the oven, a shelf must be installed between oven and drawer.
- Carry the appliance with at least two persons.



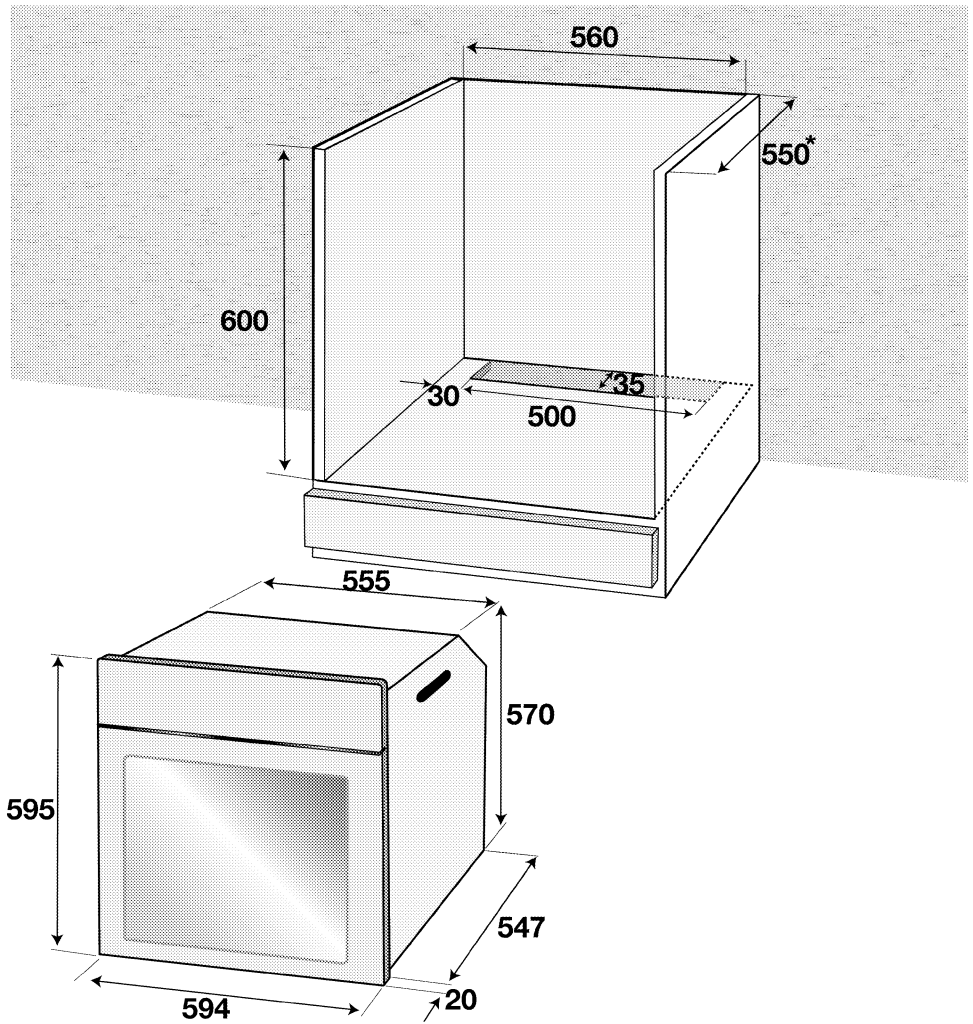
Do not install the appliance next to refrigerators or freezers. The heat emitted by the appliance will lead to an increased energy consumption of cooling appliances.



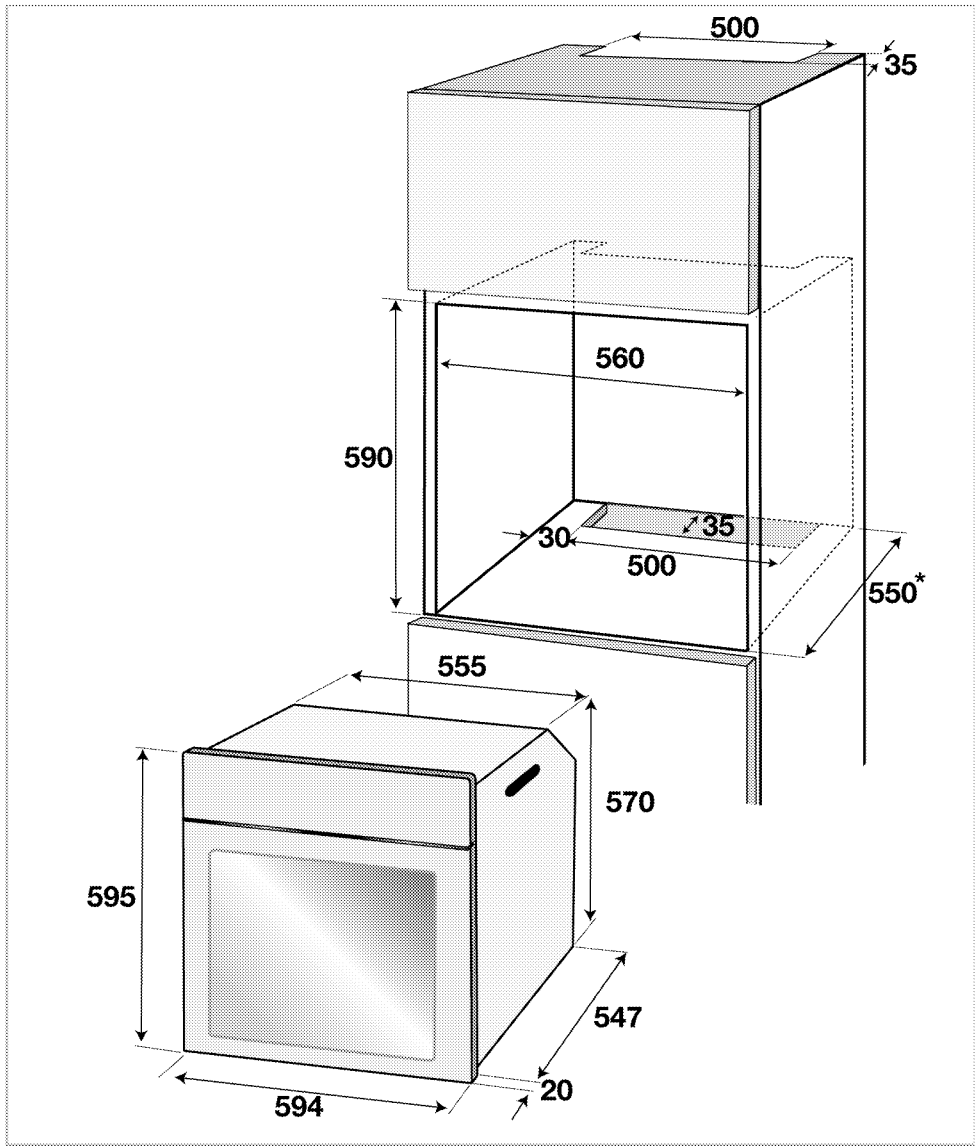
The door and/or handle must not be used for lifting or moving the appliance.



If the appliance has wire handles, push the handles back into the side walls after moving the appliance.



\* min.



\* min.

### Installation and connection

- The product must be installed in accordance with all local gas and electrical regulations.

### Electrical connection

Connect the product to a grounded outlet/line protected by a fuse of suitable capacity as stated in the "Technical specifications" table. Have the grounding installation made by a qualified electrician while using the product with or without a transformer.

Our company shall not be liable for any damages that will arise due to using the product without a grounding installation in accordance with the local regulations.

**DANGER:**

The product must be connected to the mains supply only by an authorised and qualified person. The product's warranty period starts only after correct installation. Manufacturer shall not be held responsible for damages arising from procedures carried out by unauthorised persons.

**DANGER:**

The power cable must not be clamped, bent or trapped or come into contact with hot parts of the product.

A damaged power cable must be replaced by a qualified electrician. Otherwise, there is risk of electric shock, short circuit or fire!

- Connection must comply with national regulations.
- The mains supply data must correspond to the data specified on the type label of the product. Open the front door to see the type label.
- Power cable of your product must comply with the values in "Technical specifications" table.

**DANGER:**

Before starting any work on the electrical installation, disconnect the product from the mains supply.

There is the risk of electric shock!



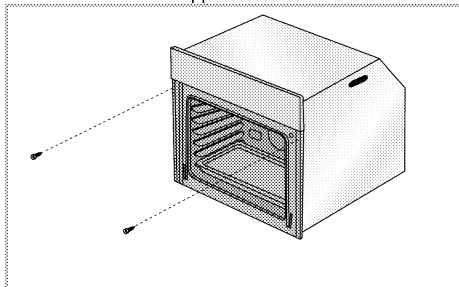
Power cable plug must be within easy reach after installation (do not route it above the hob).

Plug the power cable into the socket.

### Installing the product

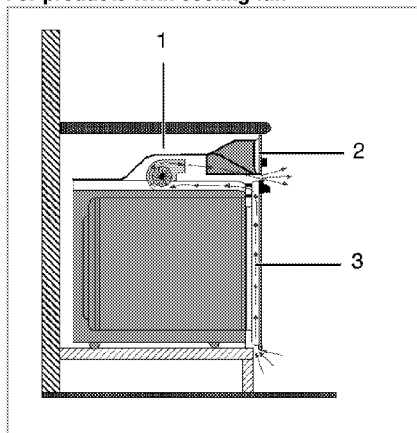
#### Installing the product

1. Slide the oven into the cabinet, align and secure it while making sure that the power cable is not broken and/or trapped.



Secure the oven with 2 screws as illustrated.

### For products with cooling fan



- 1 Cooling fan
- 2 Control panel
- 3 Door

The built-in cooling fan cools both the built-in cabinet and the front of the product.



Cooling fan continues to operate for about 20-30 minutes after the oven is switched off.

If you have cooked by programming the timer of the oven, cooling fan will also be switched off at the end of the cooking time together with all functions.

#### Final check

1. Plug in the power cable and switch on the product's fuse.
2. Check the functions.

#### Future Transportation

- Keep the product's original carton and transport the product in it. Follow the instructions on the carton. If you do not have the original carton, pack the product in bubble wrap or thick cardboard and tape it securely.
- To prevent the wire grill and tray inside the oven from damaging the oven door, place a strip of cardboard onto the inside of the oven door that lines up with the position of the trays. Tape the oven door to the side walls.
- Do not use the door or handle to lift or move the product.



Do not place any objects onto the product and move it in upright position.



Check the general appearance of your product for any damages that might have occurred during transportation.

## 4 Preparation

### Tips for saving energy

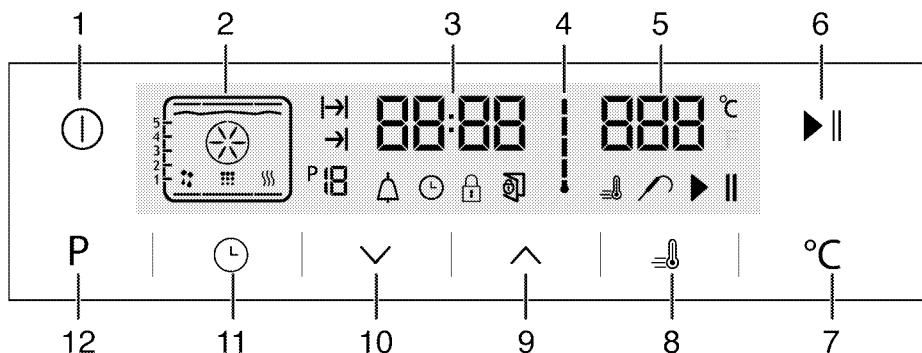
The following information will help you to use your appliance in an ecological way, and to save energy:

- Use dark coloured or enamel coated cookware in the oven since the heat transmission will be better.
- While cooking your dishes, perform a preheating operation if it is advised in the user manual or cooking instructions.
- Do not open the door of the oven frequently during cooking.

- Try to cook more than one dish in the oven at the same time whenever possible. You can cook by placing two cooking vessels onto the wire shelf.
- Cook more than one dish one after another. The oven will already be hot.
- You can save energy by switching off your oven a few minutes before the end of the cooking time. Do not open the oven door.
- Defrost frozen dishes before cooking them.

### Initial use

#### Time setting



- 1 ON/OFF key
- 2 Function display
- 3 Current time indicator field
- 4 Oven Inner Temperature symbol
- 5 Temperature indicator field
- 6 Start/stop cooking key
- 7 Temperature setting key
- 8 Booster symbol (rapid pre-heating)
- 9 Plus key
- 10 Minus key
- 11 Adjustment key
- 12 Return Key to function display

1. At the initial operation of the oven symbol lights up, touch keys to set the hour.
2. Confirm the setting by touching symbol and wait for 4 seconds without touching any keys to confirm.

If the current time is not set, time indicator will start increasing/moving up from 12:00. symbol will be activated to indicate that the current time has not been set. It will disappear as soon as the time is set.

### First cleaning of the appliance

The surface might get damaged by some detergents or cleaning materials. Do not use aggressive detergents, cleaning powders/creams or any sharp objects during cleaning. Do not use harsh abrasive cleaners or sharp metal scrapers to clean the oven door glass since they can scratch the surface, which may result in shattering of the glass.

1. Remove all packaging materials.
2. Wipe the surfaces of the appliance with a damp cloth or sponge and dry with a cloth.

### Initial heating

Heat up the product for about 30 minutes and then switch it off. Thus, any production residues or layers will be burnt off and removed.



### **WARNING**

Hot surfaces cause burns!

Product may be hot when it is in use. Never touch the hot burners, inner sections of the oven, heaters and etc. Keep children away. Always use heat resistant oven gloves when putting in or removing dishes into/from the hot oven.

### **Grill oven**

1. Take all baking trays and the wire grill out of the oven.
2. Close the oven door.
3. Select the highest grill power; see *How to operate the grill, page 26*.
4. Operate the grill about 30 minutes.
5. Turn off your grill; see *How to operate the grill, page 26*



Smoke and smell may emit for a couple of hours during the initial operation. This is quite normal. Ensure that the room is well ventilated to remove the smoke and smell. Avoid directly inhaling the smoke and the smell that emits.

### **Electric oven**

1. Take all baking trays and the wire grill out of the oven.
2. Close the oven door.
3. Select Static position.



## 5 How to operate the oven

### General information on baking, roasting and grilling



#### WARNING

Hot surfaces cause burns!  
Product may be hot when it is in use. Never touch the hot burners, inner sections of the oven, heaters and etc. Keep children away. Always use heat resistant oven gloves when putting in or removing dishes into/from the hot oven.



#### DANGER:

Be careful when opening the oven door as steam may escape.  
Exiting steam can scald your hands, face and/or eyes.

#### Tips for baking

- Use non-sticky coated appropriate metal plates or aluminum vessels or heat-resistant silicone moulds.
- Make best use of the space on the rack.
- Place the baking mould in the middle of the shelf.
- Select the correct rack position before turning the oven or grill on. Do not change the rack position when the oven is hot.
- Keep the oven door closed.

#### Tips for roasting

- Treating whole chicken, turkey and large piece of meat with dressings such as lemon juice and black pepper before cooking will increase the cooking performance.
- It takes about 15 to 30 minutes longer to roast meat with bones when compared to roasting the same size of meat without bones.
- Each centimeter of meat thickness requires approximately 4 to 5 minutes of cooking time.
- Let meat rest in the oven for about 10 minutes after the cooking time is over. The juice is better distributed all over the roast and does not run out when the meat is cut.
- Fish should be placed on the middle or lower rack in a heat-resistant plate.

#### Tips for grilling

When meat, fish and poultry are grilled, they quickly get brown, have a nice crust and do not get dry. Flat pieces, meat skewers and sausages are particularly suited for grilling as are vegetables with high water content such as tomatoes and onions.

- Distribute the pieces to be grilled on the wire shelf or in the baking tray with wire shelf in such a way that the space covered does not exceed the size of the heater.
- Slide the wire shelf or baking tray with grill into the desired level in the oven. If you are grilling on the wire shelf, slide the baking tray to the lower rack to collect fats. Add some water in the tray for easy cleaning.



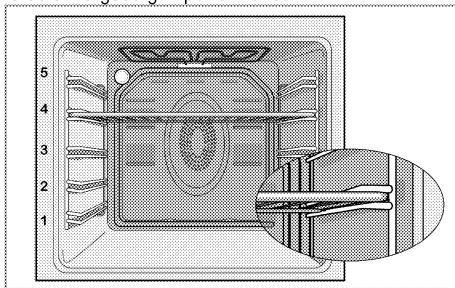
Foods that are not suitable for grilling carry the risk of fire. Only grill food which is suitable for intensive grilling heat.

Do not place the food too far in the back of the grill. This is the hottest area and fatty food may catch fire.

### How to operate the electric oven

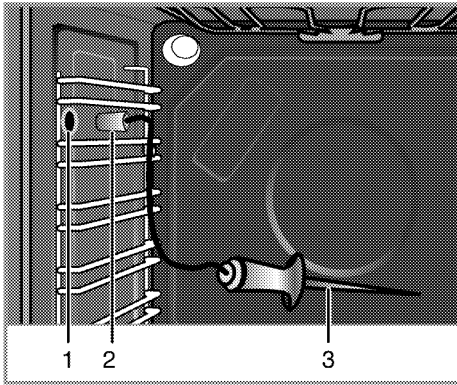
#### Rack positions (For models with wire shelf)

It is important to place the wire shelf onto the side rack correctly. Wire shelf must be inserted between the side racks as illustrated in the figure. Do not let the wire shelf stand against the rear wall of the oven. Slide your wire shelf to the front section of the rack and settle it with the help of the door in order to obtain a good grill performance.



#### Using meat probe

1. After setting your oven to a certain function and temperature, place the meat probe connection socket (2) into its slot (1) on the side wall of the chassis.



- 1 Meat probe slot
- 2 Meat probe connection socket
- 3 Meat probe sensor end



Oven must be set to a certain function and temperature in order to allow the meat probe to operate.

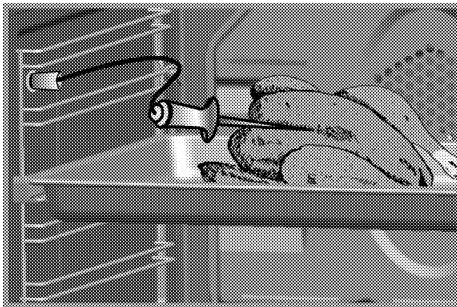


Meat probe is active during the operation of functions where the meat probe symbol is displayed continuously.



If you have set the oven timer to a certain cooking time before using the meat probe, this time setting will be cancelled automatically when you attach the meat probe.

2. Stab the sensor end of your meat probe into the meat.



» Your oven detects the meat probe automatically when you attach it and **P75** appears on the Temperature Indicator field. Meat probe sensor automatically detects that the temperature inside the meat has reached the set temperature and then switches off the oven.



If **P75** does not appear in the Temperature Indicator field, make sure that the connection socket has been securely seated into its slot.

- Recommended meat probe temperature is 75 °C. Press + or - (**7**) to set the desired temperature between 40 and 99 °C.
- If you remove the meat probe before cooking is complete, oven continues to operate with the function and temperature you have previously set.
- Clean the meat probe with a damp cloth and dry with a dry cloth after each time you use it.



If you use the meat probe without stabbing the sensor end into the meat, sensor end detects the temperature inside the oven and switches the oven off when the set temperature is attained. However, if the meat probe is subjected to temperatures at or above 250 °C, its sensor will be damaged irreparably.

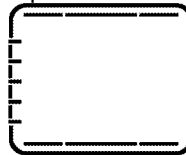
Cooking Level	Meat core temperature (°C)
Very Rare	55-59
Rare	60-62
Medium rare	63-70
Medium	71-76
Well done	77-81
Very well done	≥82

\* For food safety it is recommended for the core (the coldest point) of meat (red meat and white meat) to reach minimum 72°C .

### Operating modes

The order of operating modes shown here may be different from the arrangement on your product.

1. **Top and bottom heating**



Food is heated simultaneously from the top and bottom. For example, it is suitable for cakes, pastries, or cakes and casseroles in baking moulds. Cook with one tray only. Suitable rack position will be displayed on screen.

2. **Fan supported bottom/top heating**



Hot air heated by the bottom and top heaters is evenly distributed throughout the oven rapidly by means of the fan. Cook with one tray.

3. **Fan Heating**



Warm air heated by the rear heater is evenly distributed throughout the oven rapidly by means of the fan. It is suitable for cooking your meals in different rack levels and preheating is not required in most cases. Suitable for cooking with multi trays.



When the oven door is opened, the fan motor will not run in order to keep the hot air inside.

4. **"3D" function**



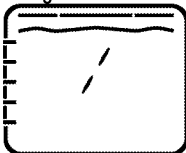
Top heating, bottom heating and fan assisted heating are in operation. Food is cooked evenly and quickly all around. Cook with one tray only.

5. **Pizza function**



The bottom heating and fan assisted heating are in operation. Suitable for baking pizza.

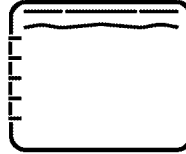
6. **Full grill+Fan**



Hot air heated by the full grill is distributed very fast in the oven by means of the fan. It is suitable for grilling large amount of meat.

- Put big or medium-sized portions in correct rack position under the grill heater for grilling.
- Set the temperature to maximum level.
- Turn the food after half of the grilling time.

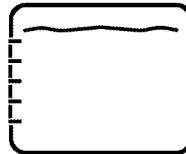
7. **Full grill**



Large grill at the ceiling of the oven is in operation. It is suitable for grilling large amount of meat.

- Put big or medium-sized portions in correct rack position under the grill heater for grilling.
- Set the temperature to maximum level.
- Turn the food after half of the grilling time.

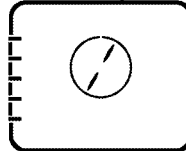
8. **Grill**



Small grill at the ceiling of the oven is in operation. Suitable for grilling and gratin dishes.

- Put small or medium-sized portions in correct shelf position under the grill heater for grilling.
- Set the temperature to maximum level.
- Turn the food after half of the grilling time.

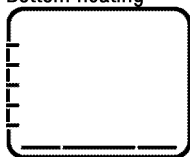
9. **Slow cooking/Eco Fan Heating**



To save power, you can use this function instead of the cooking operations that you would perform by using Fan Heating at 160-220°C temperature range. But, the cooking time will increase a little bit.

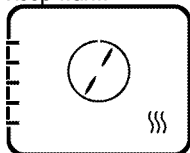
Cooking times related to this function are indicated in 'Slow cooking/Eco Fan Heating' table.

10. **Bottom heating**



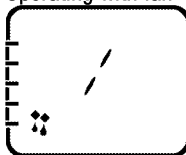
Only bottom heating is in operation. It is suitable for pizza and for subsequent browning of food from the bottom.

11. **Keep warm**



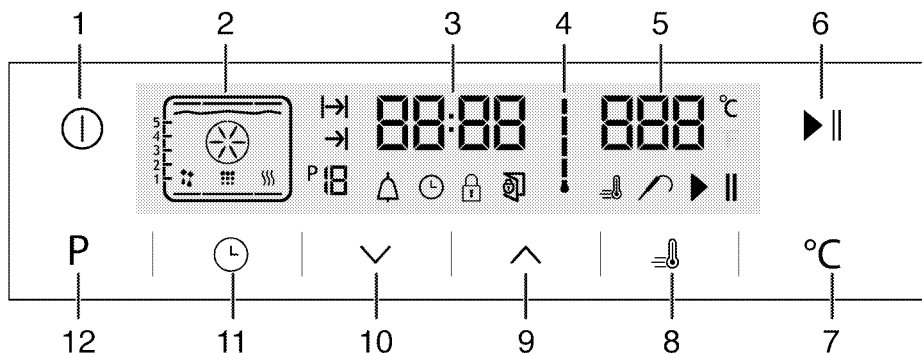
Used for keeping food at a temperature ready for serving for a long period of time.

12. **Operating with fan**



The oven is not heated. Only the fan (in the rear wall) is in operation. Suitable for thawing frozen granular food slowly at room temperature and cooling down the cooked food.

**How to operate the oven control unit**



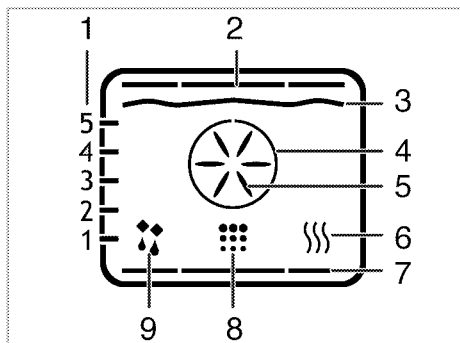
- 1 ON/OFF key
- 2 Function display
- 3 Current time indicator field
- 4 Oven Inner Temperature symbol
- 5 Temperature indicator field
- 6 Start/stop cooking key
- 7 Temperature setting key
- 8 Booster symbol (rapid pre-heating)
- 9 Plus key
- 10 Minus key
- 11 Adjustment key
- 12 Return Key to function display

- : Meat Probe symbol
- : Cooking pause symbol
- : Cooking starting symbol

**Function table:**

Function table indicates the operating functions that can be used in the oven and their respective maximum and minimum temperatures.

- : Cooking Time symbol
- : End of Cooking Time symbol
- : Function number
- : Alarm symbol
- : Clock symbol
- : Keylock symbol
- : Open door symbol



- 1 Shelf positions
- 2 Top heater
- 3 Grill heater
- 4 Boost heater
- 5 Boost fan
- 6 Keep warm
- 7 Bottom heater
- 8 Cleaning position
- 9 Operating with fan position

**i** Functions vary depending on the product model!

Function table	Recommended temperature (°C)	Temperature range (°C)
Top and bottom heating	200	40-280
Fan supported bottom/top heating	175	40-280
Fan assisted cooking	180	40-280
"3D" function	205	40-280
Pizza function	210	40-280
Fan assisted large grill	200	40-280
Full grill	280	40-280
Low grill	280	40-280
Eco Fan Heating	180	160-220
Bottom heating	180	40-220
Warm keeping	60	40-100

**i** Maximum adjustable cooking time in modes except warm keeping is limited with 6 hours due to safety reasons. Program will be cancelled in case of power failure. You must reprogram the oven.

- i** While making any adjustment, related symbols on the clock will flash.
- i** Current time cannot be set while the oven is operating in any function, or if semi-automatic or full automatic programming is made on the oven.
- i** Even if the oven is off, oven lamp lights up when the oven door is opened.

### How to operate the oven

1. Touch the **ⓘ** key for approx. 2 seconds to open the oven.
- » First operating function appears on display after the oven turns on. When the display is in this mode, cooking time, the end of cooking time and Booster (quick heating) function can be set.

**i** Oven will switch off automatically within 20 seconds if no oven setting is made on this screen.

### Manual cooking by selecting temperature and operating function

You can do cooking by selecting temperature and operating function specific to your meal, manually controlling without setting the cooking duration.

1. First operating function appears on display after touching **ⓘ** button to open the oven.
2. Select the operating function by touching the **^** / **∨** keys.
3. If you desire to change the temperature that is recommended for operating function, enable the temperature field by touching **°C** button.
- » **°C** symbol flashes.
4. Set the desired temperature touching **~** keys.
5. Confirm the temperature setting by touching **°C** key.
6. Put your dish into the oven.
7. Touch **▶** **||** key to start cooking if temperature and operating function are appropriate. **▶** symbol appears on display.

» Your oven will readily start operating in the selected function and will increase the inner temperature to the set temperature. Each grades of the inner temperature symbol will be lit as inner temperature reaches to the set temperature. Additional active heaters and

recommended tray position appear in the Function display.

8. The oven does not turn off automatically due to the manual cooking without setting the cooking time. You can finish cooking by touching ► || key once again.

» The oven finishes the cooking and || symbol appears on display.

9. Touch the ⓪ button for approx. 2 seconds to close the oven.

### Cooking by setting the cooking time;

You can ensure that the oven turns off by selecting temperature and operating function specific to your meal and setting the cooking time, manually controlling without setting the cooking duration.

1. First operating function appears on display after touching ⓪ button to open the oven.

2. Select the operating function by touching the ^ / v keys.

3. If you desire to change the temperature that is recommended for operating function, enable the temperature field by touching °C button.

» °C symbol flashes.

4. Set the desired temperature touching ^ / v keys.

5. Confirm the temperature setting by touching °C key.

6. Touch ⌚ until |→| symbol appears on display for cooking time.

7. Set the cooking time by touching ^ / v keys and confirm the setting by touching ⌚ key.

» Once the Cooking Time is set, |→| symbol will appear on display continuously.

8. Put your dish into the oven.

9. Touch ► || key to start cooking if temperature, operating function and cooking time are appropriate. ► symbol appears on display.

» The oven will be heated up to the set temperature and will maintain this temperature until the end of the cooking time you selected.

» Your oven will readily start operating in the selected function and will increase the inner temperature to the set temperature. It maintains this temperature until the end of the set cooking time. Each grades of the inner temperature symbol will be lit as inner temperature reaches to the set temperature. Additional active heaters and recommended tray position appear in the Function display.

10. After the cooking process is completed, "End" appears on the display and the alarm sounds.

11. Touch any key to silence the alarm.

» Alarm stops and the oven finishes operating automatically.

### Setting the the end of cooking time to a later time;

You can ensure that the oven runs and turns off automatically by setting temperature and operating function specific to your meal, the cooking time and end of cooking to a later time, manually controlling without setting the cooking duration.

1. First operating function appears on display after touching ⓪ button to open the oven.

2. Select the operating function by touching the ^ / v keys.

3. If you desire to change the temperature that is recommended for operating function, enable the temperature field by touching °C button.

» °C symbol flashes.

4. Set the desired temperature touching ^ / v keys.

5. Confirm the temperature setting by touching °C key.

6. Touch ⌚ until |→| symbol appears on display for cooking time.

7. Set the cooking time by touching ^ / v keys and confirm the setting by touching ⌚ key.

» Once the Cooking Time is set, |→| symbol will appear on display continuously.

8. Touch ⌚ until →| symbol appears on display for the end of cooking time.

9. Set the cooking time by touching ^ / v buttons and confirm the setting by touching ⌚ key.

» Once the the end of cooking time is set, →| symbol will appear on display continuously.

10. Put your dish into the oven.

11. Touch ► || key to start cooking if temperature, operating function, cooking time and the end of cooking time are appropriate. ► symbol appears on display.

» Oven timer automatically calculates the startup time for cooking by deducting the cooking time from the end of cooking time you have set. Selected operation mode is activated when the startup time of cooking has come and the oven is heated up to the set temperature. It maintains this temperature until the end of the set cooking time. Each grades of the inner temperature symbol will be lit as inner temperature reaches to the set temperature. Additional active

heaters and recommended tray position appear in the Function display.

12. After the cooking process is completed, "End" appears on the display and the alarm sounds.
13. Touch any key to silence the alarm.
  - » Alarm stops and the oven finishes operating automatically.



If you want to cancel only cooking time or cooking time plus the end of cooking time after you have set them, you need to reset the cooking time.

### Setting the booster (Quick Pre-heating)

Use Booster (Rapid Pre-heating) function to make the oven reach the desired temperature faster.



Booster cannot be selected in defrosting, keeping warm and cleaning positions. Booster settings will be cancelled in case of power outage.

1. Touch key after setting the temperature, operating function, cooking time and the end of cooking time.
  - » symbol appears continuously and booster (rapid pre-heating) setting is enabled.
  - » Booster symbol disappears as soon as the oven reaches the desired temperature and oven resumes operating in the function it was in before the Booster function.
2. Touch the key again in order to cancel booster function.
  - » symbol disappears and booster (rapid pre-heating) setting is disabled.

### Switching off the electric oven

Touch key to switch off the oven.

### Activating the keylock

You can prevent oven from being intervened with by activating the key lock function.

1. Touch until symbol appears on display.
  - » "OFF" will appear on the display.
2. Press to activate the key lock.
  - » Once the key lock is activated, "On" appears on the display and the symbol remains lit. Confirm by touching .



Oven keys are not functional when the key lock is activated. Key lock will not be cancelled in case of power failure.

### To deactivate the keylock, touch the

1. Touch until symbol appears on display.
  - » "On" will appear on the display.

2. Disable the key lock by pressing the key.
  - » "OFF" will appear once the key lock is deactivated. Confirm by touching .



Oven keys are not functional when the Key lock function is activated. Key lock settings will not be cancelled in case of power outage.

### Setting the alarm clock

You can use the timer of the product for any warning or reminder apart from the cooking program.

The alarm clock has no influence on the functions of the oven. It is only used as a warning. For example, this is useful when you want to turn food in the oven at a certain point of time. Timer will give an audio warning at the end of the set time.

1. Touch until symbol appears on display.



Maximum alarm time can be 23 hours and 59 minutes.

2. Set the alarm duration by using / keys.
  - » symbol will remain lit and the alarm time will appear on the display once the alarm time is set.
3. At the end of the alarm time, symbol starts flashing and the audio warning is heard.

### Turning off the alarm

1. Audio warning sounds for 2 minutes. To stop the audio warning, just press any key.
  - » Audio warning will be silenced and current time will be displayed.

### Cancelling the alarm;

1. Touch until symbol appears on display in order to cancel the alarm.
2. Press and hold key until "00:00" is displayed.



Alarm time will be displayed. If the alarm time and cooking time are set concurrently, shortest time will be displayed.

### Changing the time of the day

1. Touch key in short intervals until symbol appears on display.
2. Touch / keys to set the hour.
3. Confirm the setting by touching symbol and wait for 4 seconds without touching any keys to confirm.



Current time settings are canceled in case of power failure. It needs to be readjusted. Current time can not be changed when any of the oven functions is in use.

### Adjusting the volume

1. While the oven is in Standby mode, touch key in short intervals until "VOL" appears on display.

2. Press  $\wedge$  /  $\vee$  keys to set one of L0, L1 or L2 tones.
3. Press  $\odot$  key or wait for 4 seconds without touching any keys to confirm the setting

### Adjusting the Eco lamp setting

1. While the oven is in Standby mode, touch  $\odot$  key in short intervals until 'LP' appears on display.
2. Press  $\wedge$  /  $\vee$  keys to set On or ECO option.
3. Press  $\odot$  key or wait for 4 seconds without touching any keys to confirm the setting
4. When set to ON; while the oven door is open in Standby mode and during operation the lamp is turned ON continuously.
5. When set to ECO; while the oven door is open in Standby mode and during operation the lamp is turned ON and then turned OFF after 15 seconds.

If any key is touched during operation (excluding  $\odot$  and  $\odot$  keys) the lamp is turned ON and then turned OFF after 15 seconds.

### Cooking times table



The timings in this chart are meant as a guide. Timings may vary due to temperature of food, thickness, type and your own preference of cooking.

### Baking and roasting



1st rack of the oven is the **bottom** rack.

Dish	Cooking level number		Rack position	Temperature (°C)	Cooking time (approx. in min.)
Cakes in tray*	One level		3	175	25 ... 30
Cakes in mould*	One level		2	180	40 ... 50
Cakes in cooking paper*	One level		3	175	25 ... 30
	2 levels		1 - 5	175	30 ... 40
	3 levels		1 - 3 - 5	180	45 ... 55
Sponge cake*	One level		3	200	5 ... 10
	2 levels		1 - 5	175	20 ... 30
Cookies*	One level		3	175	25 ... 30
	2 levels		1 - 5	170 ... 190	30 ... 40
	3 levels		1 - 3 - 5	175	35 ... 45
Dough pastry*	One level		2	200	30 ... 40
	2 levels		1 - 5	200	45 ... 55
	3 levels		1 - 3 - 5	200	55 ... 65
Rich pastry*	One level		2	200	25 ... 35
	2 levels		1 - 5	200	35 ... 45
	3 levels		1 - 3 - 5	190	45 ... 55
Leaven*	One level		2	200	35 ... 45
	2 levels		1 - 3	190	35 ... 45
Lasagna*	One level		2 - 3	200	30 ... 40
Pizza*	One level		2	200 ... 220	15 ... 20
	One level		3	200	10 ... 15
Beef steak (whole) / Roast	One level		3	25 min. 250/max, then 180 ... 190	100 ... 120
Leg of Lamb (casserole)	One level		3	25 min. 250/max, then 190	70 ... 90
	One level		3	25 min. 250/max, then 190	60 ... 80
Roasted chicken	One level		2	15 min. 250/max, then 180 ... 190	55 ... 65
	One level		2	15 min. 250/max, then 180 ... 190	55 ... 65
Turkey (6.5 kg)	One level		1	25 min. 250/max, then 180 ... 190	150 ... 210



	One level		1	25 min. 250/max, then 180 ... 190	150 ... 210
Fish	One level		3	200	20 ... 30
	One level		3	200	20 ... 30

When cooking with 2 trays at the same time, place the deeper tray on the upper rack and the other one on the lower rack.

\* It is suggested to perform preheating for all foods.

### Slow cooking/Eco Fan Heating

Do not change the cooking temperature after cooking starts in Slow cooking/Eco Fan Heating mode.

Do not open the door during cooking in the Slow cooking/Eco Fan Heating mode.

Dish	Cooking level number		Rack position	Temperature (°C)	Cooking time (approx. in min.)
Meat-Casserole	One level		3	160	100 ... 120
Chicken-Casserole	One level		3	160	70 ... 100
Haricot Bean	One level		3	160	130 ... 150
Eggplant-Casserole	One level		3	160	130 ... 150
Steak – Whole	One level		3	160	110 ... 130
Steak – Sliced	One level		3	160	100 ... 120
Cakes in cooking paper	One level		3	185	35 ... 40
Cookies	One level		3	185	30 ... 35
Dough pastry	One level		3	200	40 ... 45
Rich pastry	One level		3	200	40 ... 45

- Perform a preheating for 6-7 minutes.
- White/red meats have to be flipped over in the pan prior to cooking until boiled down.
- Haricot beans have to be boiled for 30 minutes prior to cooking. You may directly use canned bean.
- Covering the cooking pan will increase performance of cooking.

### Tips for baking cake

- If the cake is too dry, increase the temperature by 10°C and decrease the cooking time.
- If the cake is wet, use less liquid or lower the temperature by 10°C.
- If the cake is too dark on top, place it on a lower rack, lower the temperature and increase the cooking time.
- If cooked well on the inside but sticky on the outside use less liquid, lower the temperature and increase the cooking time.

### Tips for baking pastry

- If the pastry is too dry, increase the temperature by 10°C and decrease the cooking time. Dampen the layers of dough with a sauce composed of milk, oil, egg and yoghurt.
- If the pastry takes too long to bake, pay care that the thickness of the pastry you have prepared does not exceed the depth of the tray.
- If the upper side of the pastry gets browned, but the lower part is not cooked, make sure that the amount of sauce you have used for the pastry is not too much at the bottom of the pastry. Try to scatter the sauce equally between the dough

layers and on the top of pastry for an even browning.

Cook the pastry in accordance with the mode and temperature given in the cooking table. If the bottom part is still not browned enough, place it on one lower rack next time.

### Tips for cooking vegetables

- If the vegetable dish runs out of juice and gets too dry, cook it in a pan with a lid instead of a tray. Closed vessels will preserve the juice of the dish.
- If a vegetable dish does not get cooked, boil the vegetables beforehand or prepare them like canned food and put in the oven.

## How to operate the grill



### WARNING

Close oven door during grilling.  
Hot surfaces may cause burns!

### Switching on the grill

1. First operating function appears on display after touching button to open the oven.
2. Touch to select the desired grill function.
3. If you desire to change the temperature that is recommended for operating function, enable the temperature field by touching button.
  - » symbol flashes.
4. Set the desired temperature touching keys.
5. Confirm the temperature setting by touching key.
6. Touch key to start grilling if temperature and operating function are appropriate. symbol appears on display.
  - » Your oven will readily start operating in the selected function and will increase the inner temperature to the set temperature. Each grades of the inner temperature symbol will be lit as inner temperature reaches to the

### Grilling with electric grill

set temperature. Additional active heaters and recommended tray position appear in the Function display.

7. You can finish grilling by touching button once again.

» The oven finishes grilling and symbol appears on display.

### Switching off the grill

1. Touch the button for approx. 2 seconds to close the oven.



Foods that are not suitable for grilling carry the risk of fire. Only grill food which is suitable for intensive grilling heat.

Do not place the food too far in the back of the grill. This is the hottest area and fatty food may catch fire.

### Cooking times table for grilling

Food	Insertion level	Grilling time (approx.)
Fish	4...5	20...25 min. #
Sliced chicken	4...5	25...35 min.
Lamb chops	4...5	20...25 min.
Roast beef	4...5	25...30 min. #
Veal chops	4...5	25...30 min. #
Toast bread	4	1...2 min.

# depending on thickness

## 6 Maintenance and care

### General information

Service life of the product will extend and the possibility of problems will decrease if the product is cleaned at regular intervals.



#### DANGER:

Disconnect the product from mains supply before starting maintenance and cleaning works.  
There is the risk of electric shock!



#### DANGER:

Allow the product to cool down before you clean it.  
Hot surfaces may cause burns!

- Clean the product thoroughly after each use. In this way it will be possible to remove cooking residues more easily, thus avoiding these from burning the next time the appliance is used.
- No special cleaning agents are required for cleaning the product. Use warm water with washing liquid, a soft cloth or sponge to clean the product and wipe it with a dry cloth.
- Always ensure any excess liquid is thoroughly wiped off after cleaning and any spillage is immediately wiped dry.
- Do not use cleaning agents that contain acid or chloride to clean the stainless or inox surfaces and the handle. Use a soft cloth with a liquid detergent (not abrasive) to wipe those parts clean, paying attention to sweep in one direction.



The surface might get damaged by some detergents or cleaning materials.  
Do not use aggressive detergents, cleaning powders/creams or any sharp objects during cleaning.  
Do not use harsh abrasive cleaners or sharp metal scrapers to clean the oven door glass since they can scratch the surface, which may result in shattering of the glass.



Do not use steam cleaners to clean the appliance as this may cause an electric shock.

### Cleaning the control panel

Clean the control panel and knobs with a damp cloth and wipe them dry.

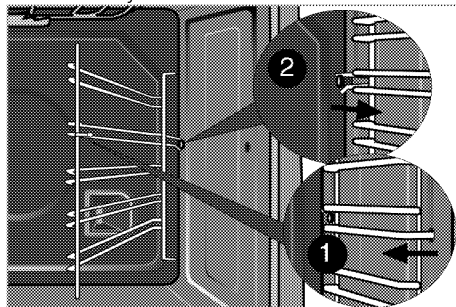


Do not remove the control buttons/knobs to clean the control panel.  
Control panel may get damaged!

### Cleaning the oven

#### To clean the side wall

1. Remove the front section of the side rack by pulling it in the opposite direction of the side wall.
2. Remove the side rack completely by pulling it towards you.



#### Catalytic walls

Side walls or just back wall of oven interior may be covered with catalytic enamel.

The catalytic walls of the oven must not be cleaned. The porous surface of the walls is self-cleaning by absorbing and converting spitting fat (steam and carbon dioxide).

#### Clean oven door

To clean the oven door, use warm water with washing liquid, a soft cloth or sponge to clean the product and wipe it with a dry cloth.



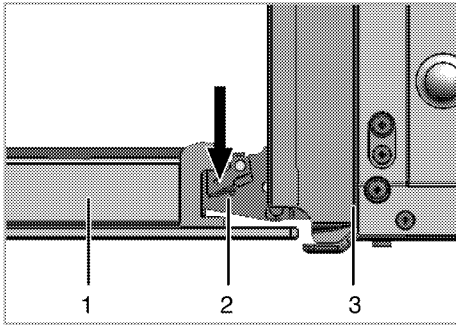
Don't use any harsh abrasive cleaners or sharp metal scrapers for cleaning the oven door. They could scratch the surface and destroy the glass.



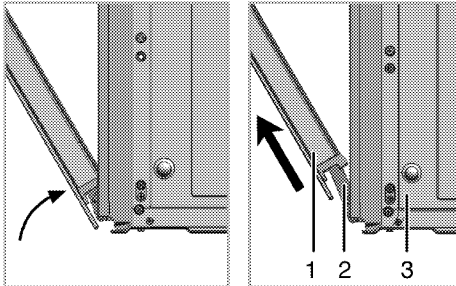
Front door inner glass is coated to easy clean material. Do not use any harsh abrasive cleaners, hard metal scrapers, scouring pads or bleach to clean front door inner glass as they may scratch the surface. This may destroy the coating material.

### Removing the oven door

1. Open the front door (1).
2. Open the clips at the hinge housing (2) on the right and left hand sides of the front door by pressing them down as illustrated in the figure.



- 1 Front door
- 2 Hinge
- 3 Oven

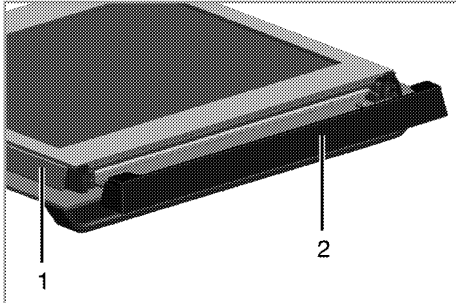


- 3. Move the front door to half-way.
- 4. Remove the front door by pulling it upwards to release it from the right and left hinges.

**i** Steps carried out during removing process should be performed in reverse order to install the door. Do not forget to close the clips at the hinge housing when reinstalling the door.

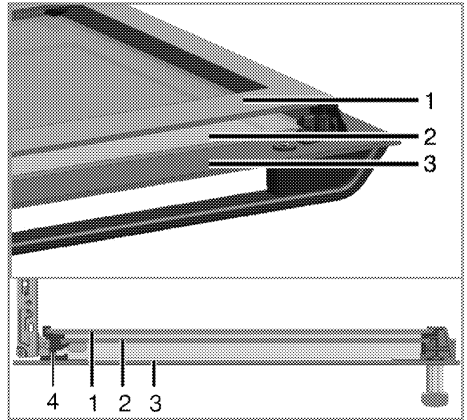
### Removing the door inner glass

The inner glass panel of the oven door can be removed for cleaning. Open the oven door.



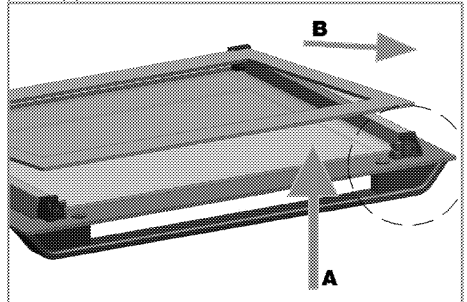
- 1 Frame
- 2 Plastic part

Pull towards yourself and remove the plastic part installed to upper section of the front door.



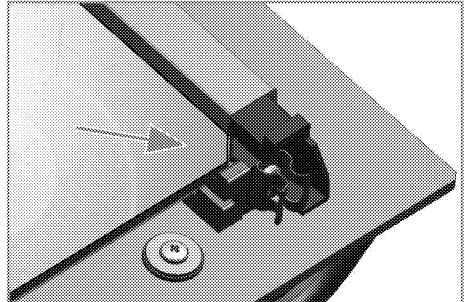
- 1 Innermost glass panel
- 2 Inner glass panel
- 3 Outer glass panel
- 4 Plastic glass panel slot-Lower

As illustrated in figure, raise the innermost glass panel (1) slightly in direction A and pull it out in direction B. Repeat the same procedure to remove the inner glass panel (2).



The first step to regroup the door is reinstalling inner glass panel (2).

As illustrated in figure, place the chamfered corner of the glass panel so that it will rest in the chamfered corner of the plastic slot.



Inner glass panel (2) must be installed into the plastic slot close the innermost glass panel (1).

When installing the innermost glass panel (1), make sure that the printed side of the panel faces towards the inner glass panel.

It is important to seat lower corner of inner glass panel into the lower plastic slot.

Push the plastic part towards the frame until you hear a "click".

### Replacing the oven lamp



#### **DANGER:**

Before replacing the oven lamp, make sure that the product is disconnected from mains and cooled down in order to avoid the risk of an electrical shock.

Hot surfaces may cause burns!



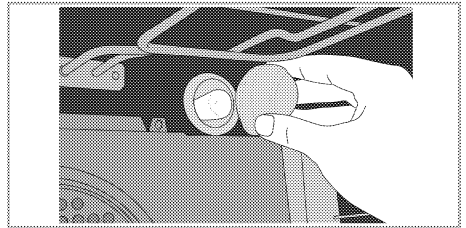
The oven lamp is a special electric light bulb that can resist up to 300 °C. See *Technical specifications, page 10* for details. Oven lamps can be obtained from Authorised Service Agents or technician with licence.



Position of lamp might vary from the figure.

#### **If your oven is equipped with a round lamp:**

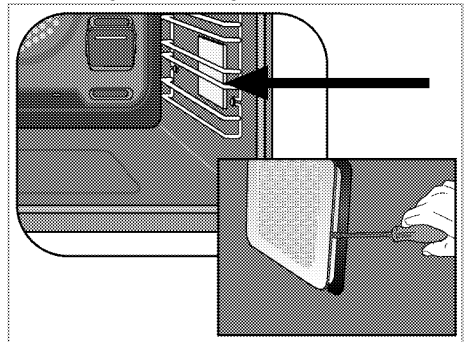
1. Disconnect the product from mains.
2. Turn the glass cover counter clockwise to remove it.



3. Pull out the oven lamp from its socket and replace it with the new one.
4. Install the glass cover.

#### **If your oven is equipped with a square lamp:**

1. Disconnect the product from mains.
2. Remove the wire racks as described. See *Cleaning the oven, page 27*.



3. Remove the protective glass cover with a screwdriver.
4. Pull out oven lamp and replace it with new one.
5. Install the glass cover and then the wire racks.

## 7 Troubleshooting

### **Oven emits steam when it is in use.**

- It is normal that steam escapes during operation. >>> *This is not a fault.*

### **Product emits metal noises while heating and cooling.**

- When the metal parts are heated, they may expand and cause noise. >>> *This is not a fault.*

### **Product does not operate.**

- The mains fuse is defective or has tripped. >>> *Check fuses in the fuse box. If necessary, replace or reset them.*
- Product is not plugged into the (grounded) socket. >>> *Check the plug connection.*

### **Oven light does not work.**

- Oven lamp is defective. >>> *Replace oven lamp.*
- Power is cut. >>> *Check if there is power. Check the fuses in the fuse box. If necessary, replace or reset the fuses.*

### **Oven does not heat.**

- Function and/or Temperature are not set. >>> *Set the function and the temperature with the Function and/or Temperature knob/key.*
- Power is cut. >>> *Check if there is power. Check the fuses in the fuse box. If necessary, replace or reset the fuses.*



Consult the Authorised Service Agent or technician with licence or the dealer where you have purchased the product if you can not remedy the trouble although you have implemented the instructions in this section. Never attempt to repair a defective product yourself.

Arcelik A.S.

Karaağaç Caddesi No:2-6 Sütlüce, 34445, Turkey

Made in TURKEY

Importer in Russia: «BEKO LLC»

Address: Selskaya street, 49, Fedorovskoe village, Pershinskoe rural settlement, Kirzhach district, Vladimir region, Russian Federation 601021

The manufacture date is included in the serial number of a product specified on rating label, which is located on a product, namely: first two figures of serial number indicate the year of manufacture, and last two – the month.

For example, "10- 100001-05» indicates that the product was produced in May, 2010.

You can ask for certification number from our Call Center 8-800-200-23-56 The manufacturer reserves the right for making changes in modification, design and specification of an electric device.



## Перед началом эксплуатации прочитайте это руководство пользователя!

Уважаемый покупатель!

Спасибо за то, что отдали предпочтение продукции компании «Веко». Надеемся, что это высококачественное изделие, изготовленное с применением самых современных технологий, будет демонстрировать наилучшие результаты эксплуатации. Для этого перед началом эксплуатации внимательно прочитайте это руководство и всю сопутствующую документацию и используйте его в дальнейшем в качестве справочника. Если вы передаете изделие новому владельцу, передайте ему и руководство пользователя. Придерживайтесь всех предупреждений и информации, содержащихся в руководстве.

Помните, что данное руководство пользователя также может быть применимо к некоторым другим моделям. Различия между моделями будут указаны в руководстве.

### Пояснения к символам

В данном руководстве пользователя используются следующие символы:



Важная информация или полезные советы по использованию.



Предупреждение о ситуациях, опасных для жизни людей и имущества.



Предупреждение об опасности поражения электрическим током.



Предупреждение об опасности пожара.



Предупреждение о горячих поверхностях.



## **1 Важные инструкции и предупреждения по технике безопасности и охране окружающей среды** **4**

Общие правила техники безопасности .....	4
Электробезопасность .....	4
Безопасность изделия .....	6
Использование по назначению .....	8
Безопасность детей .....	8
Утилизация старого изделия .....	9
Утилизация упаковочных материалов .....	9

## **2 Общие сведения** **10**

Обзор .....	10
Содержание упаковки .....	11
Технические характеристики .....	12

## **3 Установка** **13**

До начала установки .....	13
Установка и подключение .....	15
Для будущей транспортировки .....	17

## **4 Подготовка к эксплуатации** **18**

Рекомендации по экономии электроэнергии ....	18
Подготовка к эксплуатации .....	18
Настройка времени .....	18
Очистка прибора перед началом эксплуатации	18
Первоначальный прогрев .....	19

## **5 Правила эксплуатации духовки** **20**

Общие сведения о выпекании, жарении и приготовлении с грилем .....	20
Правила эксплуатации электрической духовки	20
Режимы работы .....	22
Правила работы с панелью управления духового шкафа .....	24
Время приготовления блюд .....	29
Как пользоваться грилем .....	31
Время приготовления блюд на гриле .....	31

## **6 Уход и техническое обслуживание** **32**

Общие сведения .....	32
Чистка панели управления .....	32
Чистка духовки .....	32
Снятие дверцы духового шкафа .....	33
Снятие внутреннего стекла дверцы .....	33
Замена лампочки освещения духового шкафа.	34

## **7 Поиск и устранение неисправностей** **35**

## **1 Важные инструкции и предупреждения по технике безопасности и охране окружающей среды**

В данном разделе содержатся инструкции по технике безопасности, которые помогут вам избежать травм и повреждений. При несоблюдении этих правил все гарантийные обязательства аннулируются.

Общие правила техники безопасности

- Это изделие может эксплуатироваться детьми старше 8 лет и людьми с ограниченными физическими, сенсорными или умственными способностями, а также лицами, не имеющими достаточного опыта и знаний, только в том случае, если они находятся под наблюдением лиц, ответственных за их безопасность, или проинструктированы на предмет безопасного использования изделия и осознают связанные с этим риски.

Следите за тем, чтобы дети не играли с устройством. Дети могут чистить и обслуживать устройство только под наблюдением.

- Работы по установке и ремонту должны выполняться

только представителями авторизованной сервисной службы. Производитель не несет ответственности за повреждения в результате выполнения работ лицами, не имеющими соответствующей квалификации. Это также может привести к аннулированию гарантии. Перед установкой внимательно прочтите инструкции.

- Не пользуйтесь неисправным изделием, а также при наличии на нем заметных повреждений.
- Проверяйте, чтобы после каждого использования переключатели функций изделия были выключены.

Электробезопасность

- В случае неисправности следует прекратить эксплуатацию изделия, пока оно не будет отремонтировано в авторизованном сервисном центре. Существует риск поражения электрическим током!
- Изделие можно подключать только к заземленной розетке/линии, напряжение и уровень защиты которой

соответствуют параметрам, указанным в разделе «Технические характеристики».

Установку заземления должен выполнять квалифицированный специалист (при использовании прибора с трансформатором или без него). Наша компания не несет ответственности за какие-либо проблемы, возникшие вследствие использования изделия без заземления, выполненного в соответствии с местными нормами и правилами.

- Никогда не лейте воду на изделие во время мытья! Существует риск поражения электрическим током!
- Категорически запрещается дотрагиваться к штепсельной вилке влажными руками! Не тяните за кабель питания. Вынимая вилку из розетки, беритесь непосредственно за вилку.
- Прежде чем приступать к установке, техническому обслуживанию, чистке и ремонту, изделие необходимо отключить от электросети.
- Во избежание несчастных случаев при повреждении кабеля питания его замену

должен выполнять производитель, его специалист по сервису или лицо, имеющее аналогичную квалификацию.

- Электроприбор следует устанавливать таким образом, чтобы его можно было полностью отсоединить от сети электропитания. Отсоединение должно осуществляться с помощью штепсельной вилки или выключателя, встроенного в фиксированную сеть электропитания, в соответствии со строительными нормативами и правилами.
- Задняя стенка духового шкафа во время работы сильно нагревается. Следите за тем, электрические провода не соприкасались с задней стенкой, так как это может привести к их повреждению.
- Следите за тем, чтобы шнур питания не был зажат между рамой и дверцей духового шкафа, и не прокладывайте его по горячим поверхностям. В противном случае изоляция кабеля может расплавиться, что приведет к короткому замыканию и пожару.
- Все работы с электрическим оборудованием и системами

должны выполняться только квалифицированными специалистами, допущенными к выполнению таких работ.

- В случае какого-либо повреждения выключите прибор и отсоедините его от электросети. Для этого выключите общий предохранитель в доме.
- Проверьте, соответствуют ли изделию номинальные характеристики предохранителя.

#### Безопасность изделия

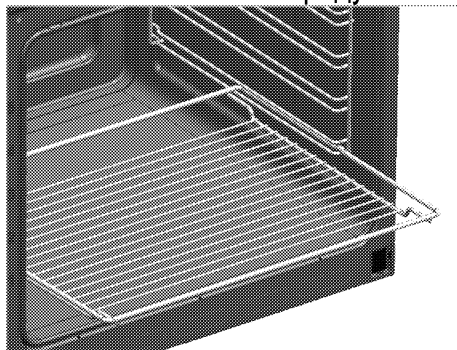
- Данное изделие и его внешние части нагреваются в процессе использования. Будьте осторожны, не касайтесь нагревательных элементов. Детей младше 8 лет следует допускать к духовому шкафу только под постоянным присмотром взрослых.
- Не пользуйтесь прибором, находясь под воздействием алкоголя или лекарственных препаратов, снижающих скорость реакции или нарушающих координацию движений.
- Будьте осторожны при использовании спиртных напитков в приготавливаемых блюдах. При высокой

температуре спирт испаряется и при соприкосновении с горячими поверхностями может загореться и вызвать пожар.

- Не располагайте рядом с прибором легковоспламеняющиеся материалы, так как во время работы его боковые поверхности могут сильно нагреваться.
- Во время работы устройство может нагреваться. Будьте осторожны, не касайтесь нагревательных элементов внутри духового шкафа.
- Следите за тем, чтобы вентиляционные отверстия были полностью открыты.
- Не разогревайте в духовом шкафу продукты в закрытых жестяных или стеклянных банках. Внутри банок может повыситься давление, что приведет к взрыву.
- Не ставьте противни или посуду непосредственно на дно духового шкафа, а также не кладите на него алюминиевую фольгу. Избыточное тепло может привести к повреждению дна духового шкафа.
- Не используйте для чистки стеклянной дверцы духового

шкафа грубые абразивные чистящие средства или острые металлические скребки, чтобы не поцарапать поверхность, поскольку это может привести к разрушению стекла.

- Не используйте для чистки устройства пароочистители, поскольку это может привести к поражению электрическим током.
- Правильное расположение проволочной решетки и противня на направляющих. Проволочную решетку и/или противень следует правильно устанавливать на направляющие. Вставьте проволочную решетку или противень между 2 направляющими и проверьте, устойчиво ли держится решетка или противень (см. рисунок). Только после этого можно класть на них продукты.



- Не пользуйтесь духовым шкафом, если стекло в

передней дверце потрескалось или вынуто.

- Ручка духовки не предназначена для сушки полотенец. Если функция гриля включена, а дверца открыта, не вешайте полотенца, перчатки и другие тряпичные изделия.
- Помещая продукты в горячий духовой шкаф или вынимая их оттуда, обязательно пользуйтесь термостойкими рукавицами.
- Перед заменой лампочки убедитесь, что устройство выключено, чтобы избежать поражения электрическим током.
- Используйте только температурный зонд, рекомендованный для этого духового шкафа.

Для обеспечения пожарной безопасности изделия соблюдайте нижеуказанные правила.

- Убедитесь, что вилка плотно вставлена в розетку и не искрит.
- Запрещается использовать поврежденный либо обрезанный кабель, а также удлинитель; можно пользоваться только оригинальным кабелем.

- Убедитесь, что в розетке, к которой подключается изделие, отсутствуют жидкость или влага.

#### Использование по назначению

- Данное изделие предназначено исключительно для бытового использования. Запрещается использовать прибор в коммерческих целях.
- Данное изделие предназначено исключительно для приготовления пищи. Его запрещено использовать для других целей, например, для обогрева помещения."
- Изделие не следует использовать с целью нагревания тарелок под грилем, сушики полотенец и посудных полотенец, путем развешивания их на ручках, а также для обогрева помещения.
- Производитель не несет ответственности за повреждения в результате использования изделия не по назначению или неправильного обращения с ним.
- Духовой шкаф можно использовать для размораживания, выпекания,

жарения и приготовления продуктов на гриле.

#### Безопасность детей

- Доступные части прибора могут сильно нагреваться при использовании. Не допускайте к ним детей.
- Упаковочные материалы опасны для детей. Храните упаковочные материалы в недоступном для детей месте. Утилизируйте все упаковочные материалы в соответствии с нормами по охране окружающей среды.
- Электрическое оборудование представляет опасность для детей. Во время работы духового шкафа не допускайте к нему детей, а также не разрешайте им играть с ним.
- Не размещайте над прибором предметы, которые дети могут попытаться достать.
- Не ставьте на открытую дверцу тяжелые предметы и не позволяйте детям садиться на нее, Духовой шкаф может перевернуться, а также могут быть повреждены петли дверцы.

## Утилизация старого изделия

**Соответствие Директиве ЕС об утилизации электрического и электронного оборудования (WEEE) и утилизация вышедшего из употребления оборудования:**



Данное изделие соответствует Директиве ЕС об утилизации электрического и электронного оборудования (2012/19/EU). Данное изделие имеет маркировку, указывающую на утилизацию его как электрического и электронного оборудования (WEEE).

Это изделие произведено из высококачественных деталей и материалов, которые подлежат повторному использованию и переработке.

Поэтому не выбрасывайте изделие с обычными бытовыми отходами после завершения его эксплуатации. Его следует сдать в соответствующий центр по утилизации электрического и электронного оборудования. О

местонахождении таких центров вы можете узнать в местных органах власти.

## **Соответствие Директиве ЕС об ограничении содержания вредных веществ (RoHS):**

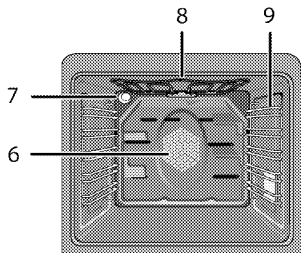
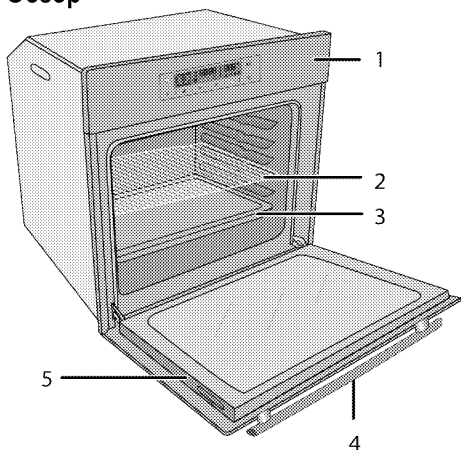
Приобретенное вами изделие соответствует Директиве ЕС о правилах ограничения содержания вредных веществ (2011/65/EU). Оно не содержит вредных и запрещенных материалов, указанных в Директиве.

## **Утилизация упаковочных материалов**

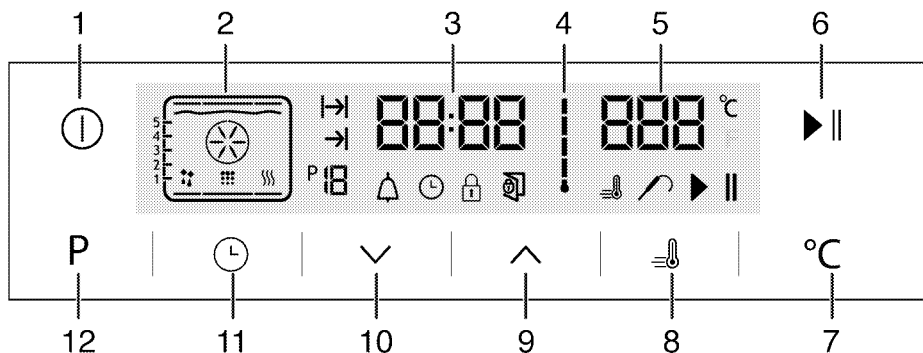
- Упаковочные материалы опасны для детей. Храните упаковочные материалы в безопасном и недоступном для детей месте. Упаковочные материалы изделия изготовлены из материалов, подлежащих вторичной переработке. Утилизируйте их соответствующим образом и сортируйте согласно инструкций по обращению с отходами, подлежащими вторичной переработке. Не утилизируйте их вместе с обычными бытовыми отходами.

## 2 Общие сведения

### Обзор



- |   |                     |   |   |
|---|---------------------|---|---|
| 1 | Панель управления   | 6 | Двигатель вентилятора (за стальной пластиной) |
| 2 | Проволочная решетка | 7 | Лампочка                                      |
| 3 | Противень           | 8 | Верхний нагревательный элемент                |
| 4 | Ручка дверцы        | 9 | Положения полок                               |
| 5 | Дверца              |   |   |



- |    |   |    |                                    |
|----|---|----|------------------------------------|
| 1  | Кнопка ВКЛ./ВЫКЛ.   | 11 | Кнопка регулировки                 |
| 2  | Функциональный дисплей  | 12 | Кнопка возврата на дисплей функций |
| 3  | Поле индикатора текущего времени                                |    |                                    |
| 4  | Символ внутренней температуры духового шкафа                    |    |                                    |
| 5  | Поле индикации температуры                                      |    |                                    |
| 6  | Кнопка начала/остановки приготовления                           |    |                                    |
| 7  | Кнопка регулировки температуры                                  |    |                                    |
| 8  | Символ ускоренного разогрева (быстрый предварительный разогрев) |    |                                    |
| 9  | Кнопка «плюс»   |    |                                    |
| 10 | Кнопка «минус»  |    |                                    |



## Содержание упаковки

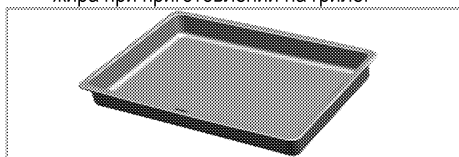


Изделие комплектуется различным набором дополнительных принадлежностей в зависимости от модели. Некоторые дополнительные принадлежности, описанные в руководстве пользователя, в комплекте этого изделия могут отсутствовать.

### 1. Руководство пользователя

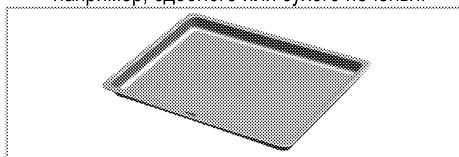
### 2. Глубокий противень

Предназначен для выпечки изделий из теста, жарения продуктов большими кусками, сочных блюд, а также для сбора стекающего жира при приготовлении на гриле.



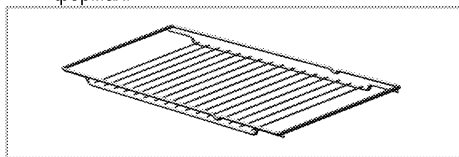
### 3. Противень для выпечки

Предназначен для выпечки изделий из теста, например, сдобного или сухого печенья.



### 4. Проволочная решетка

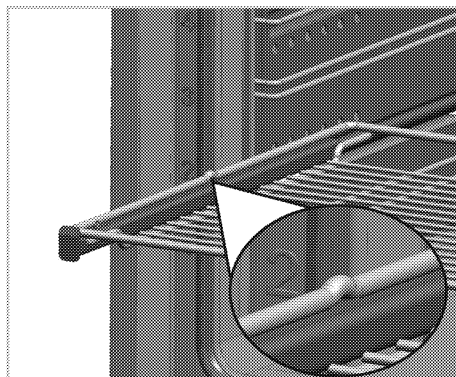
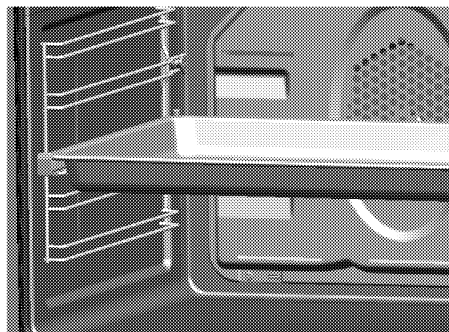
Предназначена для жарения, а также для размещения продуктов на нужной полке при выпечке, жарении или приготовлении в формах.



### 5. Правильное расположение проволочной решетки на выдвижных направляющих

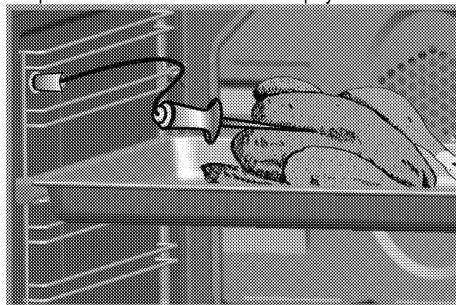
Благодаря наличию выдвижных направляющих можно легко устанавливать и выдвигать противни и проволочную решетку. При установке противней или проволочной решетки следите за тем, чтобы края противня или решетки опирались на

штырьки, расположенные на задней части выдвижных направляющих.



### 6. Зонд готовности мяса

Для деликатного приготовления мясных блюд тонкий и длинный конец зонда вставляют в мясо, а противоположный конец – в разъем на боковой стенке корпуса.



## Технические характеристики

Напряжение/частота	220-240 В ~ 50 Гц
Общая потребляемая мощность	3.1 кВт
Предохранитель	мин. 16 А
Тип кабеля/сечение	H05VV-FG 3 x 1,5 мм <sup>2</sup>
Длина кабеля	макс. 2 м
Габариты (высота / ширина / глубина)	595 мм/594 мм/567 мм
Установочные размеры (высота/ширина/глубина)	**590 или 600 мм/560 мм/мин. 550 мм
Главный духовой шкаф	<b>Многофункциональный духовой шкаф</b>
Лампочка внутреннего освещения	15/25 Вт
Гриль: потребляемая мощность	2.2 кВт
<b>Класс защиты -1</b>	

### Степень защиты IP 44

- # Основные сведения Данные на паспортной табличке энергопотребления электрических духовых шкафов приведены в соответствии со стандартом EN 60350-1 / IEC 60350-1. Эти данные определены при стандартной нагрузке с функциями нижнего-верхнего нагревательного элемента или нагрева с помощью вентилятора (при наличии).

Класс энергетической эффективности определен в соответствии с приведенными ниже приоритетами в зависимости от наличия или отсутствия соответствующих функций в изделии. 1 - Приготовление с вентилятором - экономичный режим, 2 - Медленное приготовление в турборежиме, 3 - Приготовление в турборежиме, 4 - Нагрев сверху и снизу с вентилятором, 5 - Нагрев сверху и снизу.

**«Этикетка энергоэффективности представлена на продукте»**

- \*\* См. раздел *Установка*, стр. 13.



При усовершенствовании качества продукции технические характеристики могут быть изменены без предварительного уведомления.



Иллюстрации в данном руководстве являются схематичными и могут несколько отличаться от конкретного изделия.



Значения, указанные на этикетках изделия или в сопроводительной документации, получены в лабораторных условиях согласно соответствующим стандартам. Эти данные могут быть иными в зависимости от условий эксплуатации изделия.

### 3 Установка

Прибор должен устанавливаться квалифицированным специалистом в соответствии с действующими нормами и правилами. В противном случае гарантия аннулируется. Производитель не несет ответственности за повреждения в результате выполнения работ лицами, не имеющими соответствующей квалификации. Это может привести к аннулированию гарантии.



Подготовка места установки, электрического оборудования обеспечивается покупателем.



**ОПАСНО:**

Бытовой прибор следует устанавливать в соответствии со всеми местными нормами по подключению газового и/или электрического оборудования.



**ОПАСНО:**

Прежде чем приступить к установке, визуально проверьте отсутствие внешних дефектов духового шкафа. При наличии дефектов не устанавливайте его. Поврежденные электроприборы представляют собой угрозу вашей безопасности.

#### До начала установки

Прибор предназначен для установки в стандартную кухонную мебель, имеющуюся в продаже. Между бытовой техникой, стенами кухни и мебелью следует оставить определенное безопасное расстояние. См. рисунок (размеры приведены в миллиметрах).

- Используемые поверхности, синтетические покрытия и клеи должны быть термостойкими (не менее 100 °С).
- Кухонные шкафчики должны быть выровнены по уровню и закреплены.
- Если под духовкой есть выдвижной ящик, между ним и духовкой необходимо установить перегородку.
- Переноску устройства должны выполнять не менее двух человек.



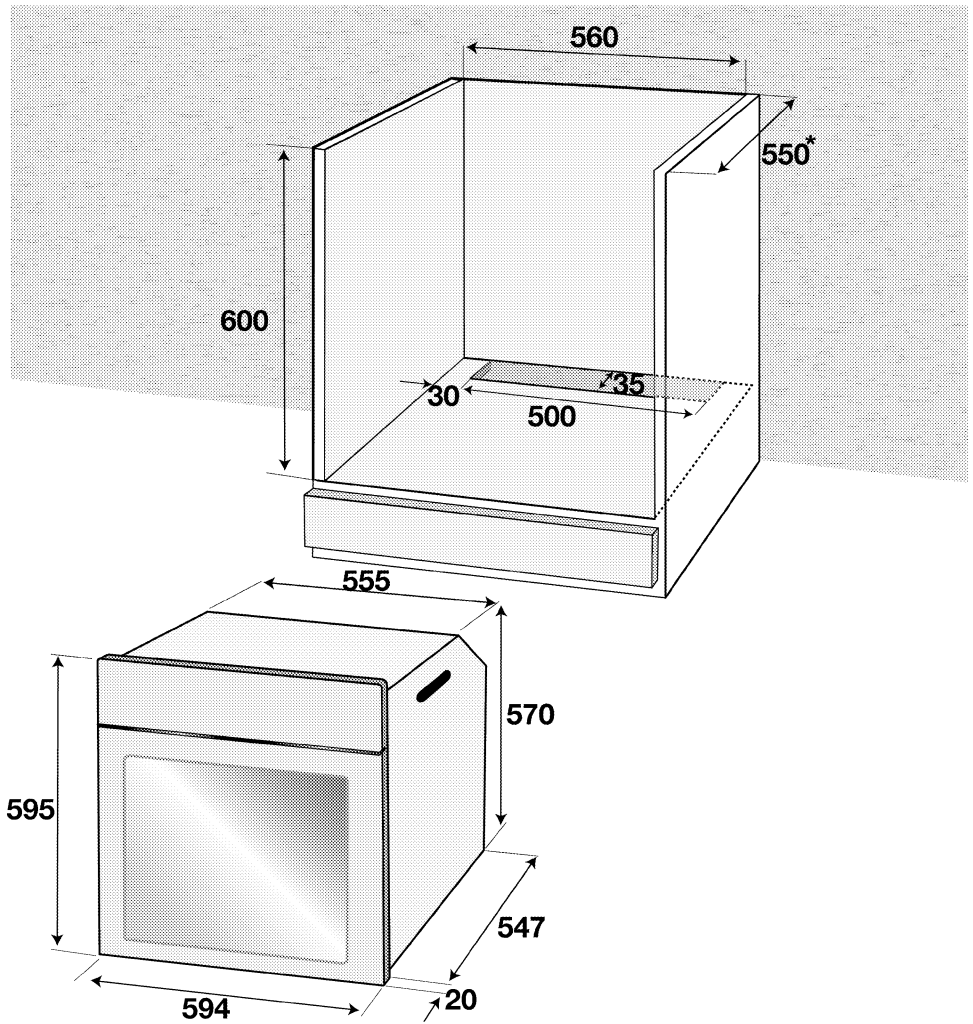
Не устанавливайте изделие рядом с холодильником или морозильной камерой. Поскольку духовой шкаф излучает тепло, холодильники будут потреблять больше электроэнергии.



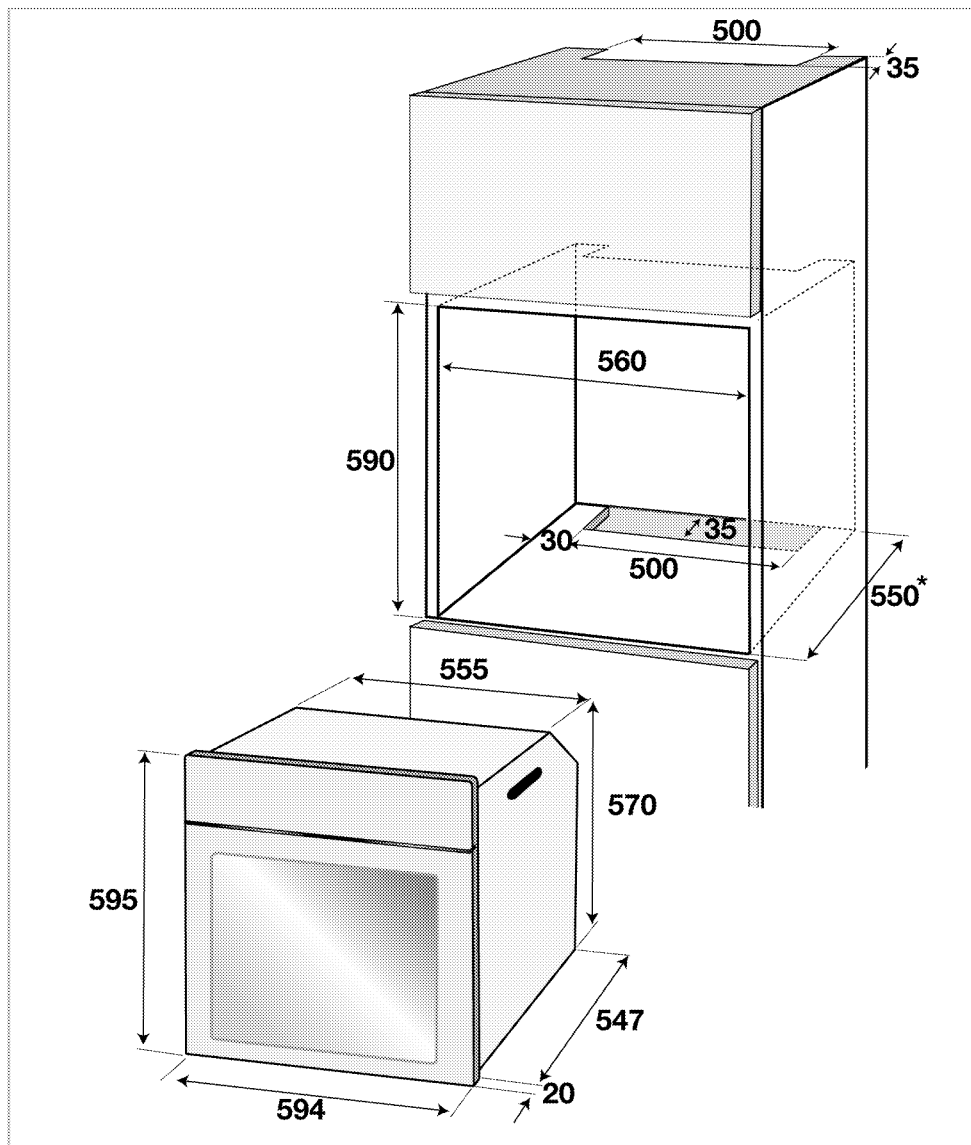
Не перемещайте устройство, держась за дверцу и/или за ручку дверцы.



Если прибор снабжен проволочными ручками, после перемещения духового шкафа прижмите их к боковым стенкам.



\* МИН.



\* мин.

### Установка и подключение

- Бытовой прибор следует устанавливать в соответствии со всеми местными нормами по подключению газового и электрического оборудования.

### Подключение к электросети

Подключайте прибор к розетке или линии с заземлением, защищенную предохранителем,

мощность которого соответствуют данным, приведенным в таблице "Технические характеристики". Установку заземление должен выполнять квалифицированный специалист (при использовании прибора с трансформатором или без него). Наша компания не несет ответственности за ущерб, понесенный вследствие использования прибора без заземления, выполненного в соответствии с местными нормами и правилами.

**ОПАСНО:**

Подключение прибора к электросети должен выполнять квалифицированный специалист, имеющий право на выполнение таких работ. Гарантийный период начинается только после правильной установки. Производитель не несет ответственности за повреждение в результате выполнения работ лицами, не имеющими соответствующей квалификации.

**ОПАСНО:**

Шнур питания не должен быть сдавлен, изогнут или зажат, а также не должен соприкасаться с нагревающимися компонентами изделия. Замену поврежденного шнура питания должен выполнять квалифицированный электрик. В противном случае это может привести к поражению электрическим током, короткому замыканию или возгоранию!

- Подключение должно выполняться в соответствии с национальными нормами.
- Параметры электрической сети должны соответствовать данным, указанным на паспортной табличке прибора. Табличку с данными можно увидеть, открыв переднюю дверцу.
- Шнур питания прибора должен соответствовать параметрам, указанным в таблице "Технические характеристики".

**ОПАСНО:**

Перед выполнением каких-либо электромонтажных работ отключите прибор от электрической сети. Существует риск поражения электрическим током!



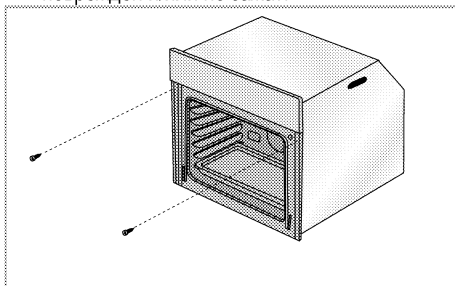
К штепсельной вилке шнура питания после установки должен быть обеспечен легкий доступ (не прокладывайте шнур над варочной поверхностью).

Включите шнур питания в розетку.

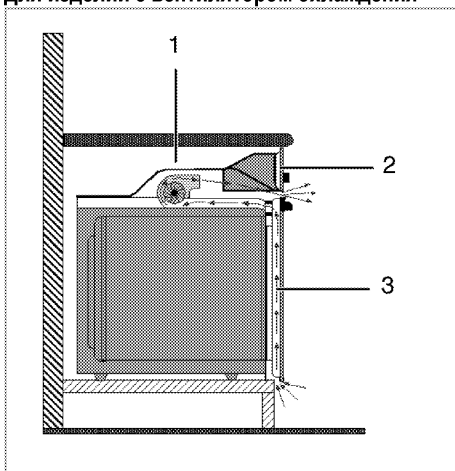
**Инструкция по монтажу****Инструкция по монтажу**

1. Вставьте духовой шкаф в кухонную мебель, выровняйте и закрепите. Одновременно

убедитесь в том, что шнур питания не поврежден и/или не зажат.



Закрепите духовой шкаф 2 винтами, как показано на рисунке.

**Для изделий с вентилятором охлаждения**

- 1 Вентилятор охлаждения
- 2 Панель управления
- 3 Дверца

Встроенный вентилятор охлаждения охлаждает встроенную часть прибора и переднюю панель.



Вентилятор охлаждения продолжает работать в течение 20-30 минут после выключения духового шкафа.

Если вы готовили, запрограммировав таймер духовки, вентилятор охлаждения выключится по завершении времени приготовления вместе со всеми функциями.

**Окончательная проверка**

1. Включите вилку шнура питания в розетку и включите предохранитель изделия.
2. Проверьте, произошло ли включение.

## Для будущей транспортировки

- Сохраните оригинальную упаковочную коробку и перевозите прибор в ней. Следуйте указаниям, нанесенным на упаковке. Если оригинальная упаковочная коробка не сохранилась, заверните изделие в пузырчатую упаковку или поместите в плотный картон. Надежно заклейте клейкой лентой.
- Чтобы проволочная решетка и противень, которые хранятся внутри духовки, не повредили дверцу, поместите с внутренней стороны дверцы картонную полоску вровень

с противнями. Прикрепите дверцу духового шкафа к боковым стенкам клейкой лентой.

- Не поднимайте и не передвигайте духовой шкаф, держась за дверцу или за ручку дверцы.



Не размещайте на приборе никаких предметов и не ставьте его вертикально.



Осмотрите прибор снаружи на предмет возможных повреждений при транспортировке.

## 4 Подготовка к эксплуатации

### Рекомендации по экономии электроэнергии

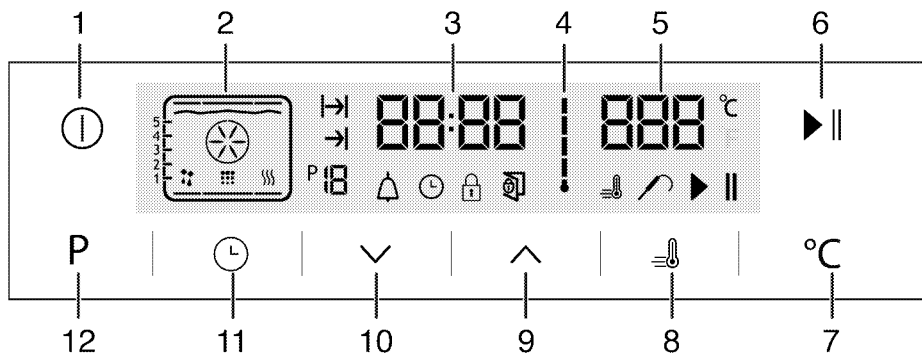
Эти рекомендации помогут вам использовать изделие экологически чистым способом и экономить электроэнергию.

- Используйте в духовом шкафу темную или эмалированную посуду: это позволит улучшить теплопередачу.
- Прогревайте духовой шкаф перед приготовлением пищи, если это рекомендуется в руководстве пользователя или в инструкциях по приготовлению продуктов.
- Во время приготовления пищи не открывайте дверцу духового шкафа слишком часто.

- По возможности старайтесь готовить в духовом шкафу несколько блюд одновременно. При приготовлении пищи на решетку можно устанавливать по две емкости с продуктами.
- Готовьте блюда одно за другим. Духовой шкаф уже будет прогрет.
- Для экономии электроэнергии можно выключать духовой шкаф за несколько минут до окончания приготовления блюда. Не открывайте дверцу духового шкафа.
- Размораживайте замороженные продукты перед приготовлением.

### Подготовка к эксплуатации

#### Настройка времени



1. Кнопка ВКЛ./ВЫКЛ.
  2. Функциональный дисплей
  3. Поле индикатора текущего времени
  4. Символ внутренней температуры духового шкафа
  5. Поле индикации температуры
  6. Кнопка начала/остановки приготовления
  7. Кнопка регулировки температуры
  8. Символ ускоренного разогрева (быстрый предварительный разогрев)
  9. Кнопка «плюс»
  10. Кнопка «минус»
  11. Кнопка регулировки
  12. Кнопка возврата на дисплей функций
1. При подготовке к работе духовки будет отображаться символ ⌚, чтобы установить время приготовления, нажимайте кнопки  $\wedge$  /  $\vee$ .

2. Нажмите на символ ⌚ и подождите 4 секунды, не нажимая кнопку для подтверждения настроек.

**i** Если не установить текущее время, то индикатор времени начнет отсчет с 12:00. При этом на дисплее будет светиться символ ⌚, означающий, что текущее время не установлено. После установки времени символ исчезнет.

#### Очистка прибора перед началом эксплуатации

**i** Некоторые моющие средства и чистящие материалы могут повредить поверхность. Не используйте для чистки агрессивные моющие средства, чистящие порошки/кремы, а также острые предметы.

1. Снимите все упаковочные материалы.
2. Протрите поверхность прибора влажной тканью или губкой и вытрите насухо.



### Первоначальный прогрев

Прогрейте прибор в течение 30 минут, а затем выключите. Это обеспечит выгорание и удаление производственных загрязнений и покрытий.



#### ПРЕДУПРЕЖДЕНИЕ!

Горячие поверхности могут причинить ожоги!

Во время работы прибор может сильно нагреваться. Не прикасайтесь к горячим конфоркам, внутренним частям духового шкафа, нагревательным элементам и т.п. Не разрешайте детям приближаться к нему.

Помещая продукты в горячий духовой шкаф или вынимая их оттуда, обязательно пользуйтесь термостойкими рукавицами.

### Электрический духовой шкаф

1. Выньте из духового шкафа все противни и решетку.
2. Закройте дверцу духового шкафа.
3. Выберите положение Static (Статический)

### Духовой шкаф с грилем

1. Выньте из духового шкафа все противни и решетку.
2. Закройте дверцу духового шкафа.
3. Включите гриль на максимальную мощность (см. раздел *Как пользоваться грилем*, стр. 31).
4. Дайте духовому шкафу поработать около 30 минут.
5. Затем выключите духовой шкаф (см. раздел *Как пользоваться грилем*, стр. 31)



При первом включении в течение нескольких часов возможно выделение дыма и запаха. Это вполне нормально.

Убедитесь, что кухня хорошо проветривается, чтобы удалить дым и запах. Не вдыхайте выделяющиеся дым и запахи.

## 5 Правила эксплуатации духовки

### Общие сведения о выпекании, жарении и приготовлении с грилем



#### ПРЕДУПРЕЖДЕНИЕ!

Горячие поверхности могут причинить ожоги!

Во время работы прибор может сильно нагреваться. Не прикасайтесь к горячим конфоркам, внутренним частям духового шкафа, нагревательным элементам и т.п. Не разрешайте детям приближаться к нему.

Помещая продукты в горячий духовой шкаф или вынимая их оттуда, обязательно пользуйтесь термостойкими рукавицами.



#### ОПАСНО:

Будьте осторожны, открывая дверцу духового шкафа, так как наружу может выходить пар.

Выпускаемый пар может обжечь вам руки, лицо и/или глаза.

### Советы по выпеканию

- Используйте антипригарные металлические тарелки или алюминиевые контейнеры с соответствующим покрытием, либо термостойкие силиконовые формы.
- Рационально используйте площадь решетки.
- Устанавливайте форму для выпекания в середине решетки.
- Выбирайте правильное положение решетки перед включением духового шкафа или гриля. Не изменяйте положение решетки, когда духовой шкаф горячий.
- Держите закрытой дверцу шкафа.

### Советы по приготовлению жареных блюд

- Тушку курицы или индейки и большие куски мяса перед приготовлением рекомендуется сбрызнуть лимонным соком и посыпать черным перцем. Тогда готовое блюдо будет вкуснее.
- Мясо с костями следует жарить на 15-30 минут дальше, чем такое же количества мяса без костей.
- На каждый сантиметр толщины мяса требуется приблизительно 4-5 минут времени приготовления.
- По истечении времени приготовления мяса оставьте его в духовом шкафу примерно на 10 минут. Сок лучше распределится внутри

куска жареного мяса и не будет вытекать, когда вы будете разрезать мясо.

- Рыбу в термостойкой посуде следует готовить на решетке, установленной на средний или нижний уровень.

### Советы по приготовлению продуктов на гриле

При приготовлении на гриле мясо, рыба или птица быстро поджаривается, сверху образуется хрустящая корочка, и продукт не пересыхает. На гриле можно отлично приготовить не только тонкие куски мяса, шашлыки и сосиски, но и овощи с большим содержанием жидкости (например, помидоры и лук).

- Для приготовления на гриле разложите куски продуктов на решетке или на противне с решеткой так, чтобы площадь, занимаемая продуктами, соответствовала размерам нагревательного элемента.
- Вставьте решетку или противень с решеткой в духовку на нужный уровень. Если продукты готовятся на решетке, установите на нижний уровень поддон для сбора жира. Для облегчения чистки поддона налейте в него немного воды.



Продукты, которые не подходят для приготовления на гриле, могут привести к возгоранию. На гриле можно готовить только такие продукты, которые выдерживают интенсивный нагрев.

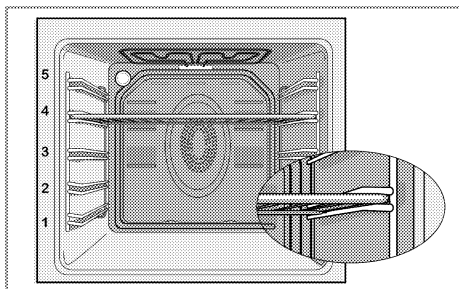
Не размещайте продукты слишком близко к задней части гриля. Эта зона нагревается сильнее всего, и жирные продукты могут загореться.

## Правила эксплуатации электрической духовки

### Уровни духовки (для моделей с грилем)

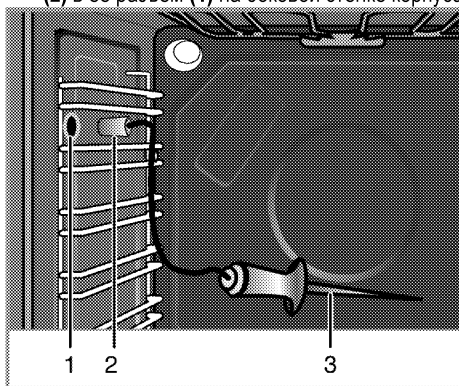
Правильно устанавливайте решетку в направляющие. Решетку следует вставить между направляющими, как показано на рисунке.

Следите за тем, чтобы решетка не упиралась в заднюю стенку духовки. Чтобы гриль нормально работал, выдвиньте решетку к передней части направляющих и отрегулируйте ее положение с помощью дверцы.



### Использование зонда готовности мяса

1. Выбрав определенную функцию и температуру работы духовки, вставьте соединительную вилку зонда готовности мяса (2) в ее разъем (1) на боковой стенке корпуса.



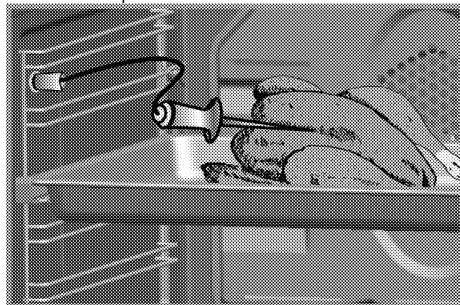
- 1 Разъем зонда готовности мяса
- 2 Соединительная вилка зонда готовности мяса
- 3 Конец датчика зонда готовности мяса

**i** Чтобы зонд готовности мяса работал, духовка должна быть настроена на определенную программу и температуру.

**i** Датчик готовности мяса активен во время эксплуатации, при которой непрерывно отображается символ датчика.

**i** Если вы установили на таймере духовки определенное время приготовления перед подключением зонда готовности мяса, эта настройка будет автоматически отменена при подключении зонда готовности мяса.

2. Вставьте конец датчика зонда готовности мяса в приготовляемое мясо.



» Духовка автоматически определит зонд готовности мяса при его подключении, а в поле индикации температуры отобразится **P75**. Датчик зонда готовности мяса автоматически определяет достижение температурой внутри мяса заданного значения и отключает духовку.

**i** Если в поле индикации температуры не отобразится **P75**, проверьте, надежно ли вставлена в разъем соединительная вилка.

- Рекомендованная температура зонда готовности мяса составляет 75 °С. Нажимайте кнопки **+** или **- (7)**, чтобы установить нужную температуру между значениями 40 и 99 °С.
- Если вы извлечете зонд готовности мяса до завершения приготовления, духовка продолжит выполнять предварительно выбранную программу при предварительно заданной температуре.
- После каждого использования очищайте зонд готовности мяса влажной тканью и высушите сухой.

**i** Если вы не вставите конец датчика зонда в мясо, он определит температуру внутри духовки и выключит ее при достижении заданной температуры. Если зонд готовности мяса подвергнется воздействию температуры 250 °С и выше, его датчик будет поврежден и не будет подлежать ремонту.

Уровень приготовления	Температура сердцевины мяса (°С)
Очень сырое	55-59
Полусырое	60-62

Немного сырое	63-70
Средней готовности	71-76
Готовое	77-81
Превосходно приготовленное	≥82

\* В целях пищевой безопасности для сердцевины куска (самая холодная его точка) рекомендуется готовить мясо (красное или белое) до температуры минимум 72°C.

### Режимы работы

Приведенная здесь последовательность режимов работы может отличаться от вашей модели.

#### 1. Нагрев сверху и снизу



Продукты подгреваются одновременно сверху и снизу. Этот режим подходит, например, для тортов, разной выпечки, а также кексов и запеканок в формах..

Готовьте только с одним противнем.

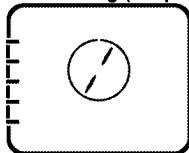
На дисплее будет показан подходящий уровень духовки.

#### 2. Нагрев сверху и снизу с использованием вентилятора



Горячий воздух, нагретый нижним и верхним нагревательным элементом, быстро и равномерно распределяется в духовом шкафу с помощью вентилятора. Готовьте с одним противнем.

#### 3. Fan Heating (Нагрев + вентилятор)



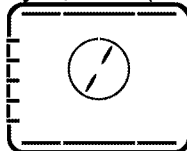
Горячий воздух, нагретый нагревательным элементом с вентилятором, быстро и равномерно распределяется в духовом шкафу с помощью вентилятора.

Предназначен для приготовления блюд на

различных уровнях направляющих, и в большинстве случаев предварительный разогрев не требуется. Подходит для приготовления с несколькими противнями.

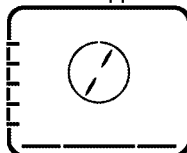
**i** Если дверца духового шкафа открыта, двигатель вентилятора не будет работать, чтобы сохранять горячий воздух внутри.

#### 4. Функция "3D" (объемный нагрев)



Работают верхний и нижний нагревательные элементы, а также нагревательный элемент с вентилятором. Продукты готовятся быстро и равномерно со всех сторон. Готовьте только с одним противнем.

#### 5. Режим пиццы



Работают нижний нагревательные элементы и нагревательный элемент с вентилятором.

Подходит для приготовления пиццы.

#### 6. Усил.гр+вент

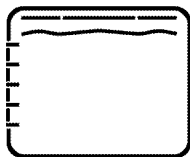


Горячий воздух, нагретый усиленным грилем, равномерно и очень быстро распределяется в духовом шкафу с помощью вентилятора.

Подходит для приготовления на гриле больших порций мяса.

- Для приготовления на гриле положите большие или средние порции под нагревательный элемент гриля на соответствующий уровень полки духового шкафа.
- Установите температуру на максимальный уровень.
- Когда пройдет половина времени, отведенного на приготовление, переверните продукт.

#### 7. Full grill (Усил. гриль)



Работает большой гриль на потолке духовки. Подходит для приготовления на гриле больших порций мяса.

- Для приготовления на гриле положите большие или средние порции под нагревательный элемент гриля на соответствующий уровень полки духового шкафа.
- Установите температуру на максимальный уровень.
- Когда пройдет половина времени, отведенного на приготовление, переверните продукт.

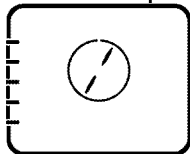
#### 8. Гриль



Работает малый гриль на потолке духовки. Подходит для приготовления на гриле и блюд с хрустящей корочкой.

- Для приготовления блюд в этом режиме расположите под нагревателем гриля на соответствующем уровне духовки небольшое или среднее количество продукта.
- Установите температуру на максимальный уровень.
- Когда пройдет половина времени, отведенного на приготовление, переверните продукт.

#### 9. Slow cooking (Медл. приготовление)/Нагрев + вентилятор – экономичный режим



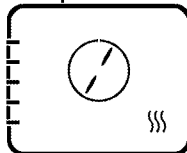
Для экономии электроэнергии вы можете воспользоваться этой функцией вместо операций приготовления, которые вы выполняли бы при нагреве с вентилятором в температурном диапазоне 160-220°C. Но время приготовления немного увеличится. Продолжительность приготовления в этом режиме приведена в таблице "Slow cooking (Медл. приготовление)/Нагрев + вентилятор – экономичный режим".

#### 10. Нагрев снизу



Работает только нижний нагревательный элемент. Подходит для выпечки пиццы и дополнительного обжаривания продуктов с нижней стороны.

#### 11. Разогрев



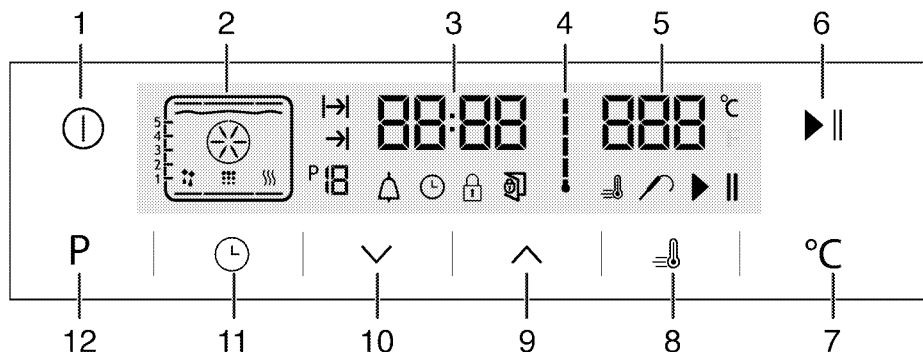
Используется сохранения продуктов в течение длительного времени при такой температуре, при которой их можно сразу подать на стол.

#### 12. Работа с вентилятором



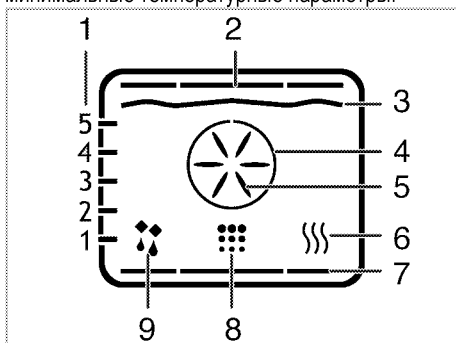
Духовой шкаф не нагревается. Работает только вентилятор, расположенный на задней стенке. Замороженные гранулированные продукты медленно размораживаются при комнатной температуре, а приготовленные продукты охлаждаются.

## Правила работы с панелью управления духового шкафа



- 1 Кнопка ВКЛ./ВЫКЛ.
- 2 Функциональный дисплей
- 3 Поле индикатора текущего времени
- 4 Символ внутренней температуры духового шкафа
- 5 Поле индикации температуры
- 6 Кнопка начала/остановки приготовления
- 7 Кнопка регулировки температуры
- 8 Символ ускоренного разогрева (быстрый предварительный разогрев)
- 9 Кнопка «плюс»
- 10 Кнопка «минус»
- 11 Кнопка регулировки
- 12 Кнопка возврата на дисплей функций

также соответствующие максимальные и минимальные температурные параметры.



- 1 Положения полок
- 2 Верхний нагревательный элемент
- 3 Нагревательный элемент гриля
- 4 Нагревательный элемент ускоренного разогрева
- 5 Турбовентилятор
- 6 Разогрев
- 7 Нижний нагревательный элемент
- 8 Позиция чистки
- 9 Работа с вентилятором

- : Символ времени приготовления
- : Символ окончания времени приготовления
- : Номер функции
- : Символ звукового сигнала
- : Индикатор «Clock» (Часы)
- : Символ блокировки клавиатуры
- : Символ открытой дверцы
- : Символ ускоренного разогрева (быстрый предварительный разогрев)
- : Символ зонда готовности мяса
- : Символ паузы в приготовлении
- : Символ начала приготовления

Функции могут отличаться в зависимости от модели изделия.

### Таблица функций:

В таблице функций указаны режимы работы, которые можно использовать в духовом шкафу, а

Таблица функций	Рекомендованная температура (°C)	Диапазон температуры (°C)
Нагрев сверху и	200	40-280

снизу		
Нагрев сверху и снизу с использованием вентилятора	175	40-280
Приготовление с использованием вентилятора	180	40-280
Функция «3D» (объемный нагрев)	205	40-280
Режим пиццы	210	40-280
Большой гриль с вентилятором	200	40-280
Full grill (Усил. гриль)	280	40-280
Low grill (Ослабл. гриль)	280	40-280
Нагрев + вентилятор – экономичный режим	180	160-220
Нагрев снизу	180	40-220
Warm keeping (Поддерж. в нагр. сост)	60	40-100



С целью безопасности максимальная продолжительность приготовления для всех режимов, кроме режима подогрева, ограничена 6 часами. В случае отключения электроэнергии программа будет отменена. Следует снова запрограммировать духовой шкаф.



Во время настройки соответствующие символы на панели часов будут мигать.




Текущее время нельзя установить во время выполнения духовым шкафом любой функции, а также после его программирования для работы в полуавтоматическом или полностью автоматическом режиме.



Даже если духовой шкаф выключен, лампочка духового шкафа горит, пока открыта его дверца.

### Правила эксплуатации гриля

1. Коснитесь и удерживайте кнопку  в течение 2 секунд, чтобы открыть духовку.  
» Первый режим работы будет отображен на дисплее после включения духовки. Когда дисплей находится в таком состоянии, можно задать продолжительность приготовления, время его



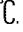
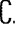
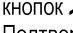


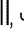

окончания и включить режим ускоренного разогрева.




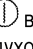


Духовка автоматически выключится через 20 секунд, если при этой индикации на дисплее не произведи никаких установок духовки.

### Ручные настройки параметров приготовления (выбор температуры и режима работы)

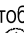

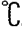
Вы можете настроить параметры готовки вручную, выбрав точные температуру и режим работы для вашего блюда, не задавая длительность приготовления.

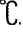
1. Первый режим работы будет отображен на дисплее после нажатия кнопки , которая откроет духовку.
2. Выберите режим работы с помощью кнопок .
3. Если вы хотите изменить рекомендуемую температуру для режима работы, включите поле «Температура», нажав на кнопку .  
» Замигает символ .
4. Установите нужную температуру, касаясь кнопок .
5. Подтвердите уровень температуры, нажав на кнопку .
6. Поставьте блюдо в духовой шкаф.
7. Нажмите кнопку  , чтобы начать приготовление, если температура и режим работы соблюдены. На дисплее отобразится символ .


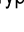

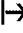


- » После этого духовка начнет работу в выбранном режиме и будет нагреваться, пока температура внутри духовки не достигнет заданного уровня. Когда температура в духовке будет подниматься до заданного уровня, будет загораться отметки индикатора температуры внутри духовки. На дисплее «Кулинария» появятся обозначения дополнительных активных нагревательных элементов, а также рекомендуемый уровень расположения противня.
8. Духовка не выключится автоматически, поскольку находится в режиме «Кулинария», где время приготовления не было задано. Вы можете завершить процесс приготовления, снова нажав кнопку  .
  - » Духовка завершит приготовление и на дисплее появится символ .
  9. Коснитесь и удерживайте кнопку  в течение 2 секунд, чтобы закрыть духовку.

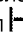
## Приготовление посредством установки времени приготовления;



Вы можете убедиться, что духовка выключилась, выбрав точные температуру и режим работы для вашего блюда и начать готовку вручную, не задавая длительность приготовления.

1. Первый режим работы будет отображен на дисплее после нажатия кнопки , которая откроет духовку.
2. Выберите режим работы с помощью кнопок .
3. Если вы хотите изменить рекомендуемую температуру для режима работы, включите поле «Температура», нажав на кнопку .

» Замигает символ .

4. Установите нужную температуру, касаясь кнопок .
5. Подтвердите уровень температуры, нажав на кнопку .
6. Чтобы отобразить время приготовления, коснитесь и удерживайте , пока на дисплее не появится символ .
7. Установите время приготовления с помощью кнопок  и подтвердите настройки, нажав на кнопку .

» После установки времени приготовления на дисплее будет отображаться символ .


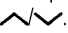
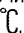
8. Поставьте блюдо в духовой шкаф.
  9. Нажмите кнопку  II, чтобы начать приготовление, если температура, режим работы и время приготовления соблюдены. На дисплее отобразится символ .
- » Духовка разогреется до заданной температуры, которая будет поддерживаться до установленного времени окончания приготовления.
- » После этого духовка начнет работу в выбранном режиме и будет нагреваться, пока температура внутри духовки не достигнет заданного уровня. Эта температура будет поддерживаться до тех пор, пока не наступит установленное время окончания приготовления. Когда температура в духовке будет подниматься до заданного уровня, будут загораться отметки индикатора температуры внутри духовки. На дисплее «Кулинария» появятся обозначения дополнительных активных нагревательных элементов, а также рекомендуемый уровень расположения противня.

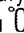
10. По окончании процесса приготовления на дисплее появится надпись «КОНЕЦ» и прозвучит звуковой сигнал.
11. Чтобы выключить звуковой сигнал, нажмите любую кнопку.



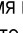



» Сигнал выключится и духовка автоматически завершит работу.

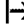
## Установка более позднего времени окончания приготовления;


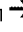


Вы можете убедиться, что духовка работает и выключается автоматически, установив точные температуру и режим работы для вашего блюда, время приготовления и время окончания приготовления, и настроив параметры приготовления вручную, не задавая длительность приготовления.


1. Первый режим работы будет отображен на дисплее после нажатия кнопки , которая откроет духовку.
2. Выберите режим работы с помощью кнопок .
3. Если вы хотите изменить рекомендуемую температуру для режима работы, включите поле «Температура», нажав на кнопку .


» Замигает символ .

4. Установите нужную температуру, касаясь кнопок .
5. Подтвердите уровень температуры, нажав на кнопку .
6. Чтобы отобразить время приготовления, коснитесь и удерживайте , пока на дисплее не появится символ .
7. Установите время приготовления с помощью кнопок  и подтвердите настройки, нажав на кнопку .

» После установки времени приготовления на дисплее будет отображаться символ .

8. Чтобы отобразить время окончания приготовления, коснитесь и удерживайте , пока на дисплее не появится символ .
9. Установите время приготовления с помощью кнопок  и подтвердите настройки, нажав на кнопку .

» После установки времени окончания приготовления на дисплее будет отображаться символ .

10. Поставьте блюдо в духовой шкаф.
11. Нажмите кнопку  II, чтобы начать приготовление, если температура, режим работы, время приготовления и время



окончания приготовления соблюдены. На дисплее отобразится символ ▶.

» Таймер духовки автоматически рассчитывает время начала приготовления, вычитая продолжительность приготовления из заданного времени его окончания. Когда наступит время начала приготовления, духовка включится в выбранном режиме и нагреется до заданной температуры. Эта температура будет поддерживаться до тех пор, пока не наступит установленное время окончания приготовления. Когда температура в духовке будет подниматься до заданного уровня, будут загораться отметки индикатора температуры внутри духовки. На дисплее «Кулинария» появятся обозначения дополнительных активных нагревательных элементов, а также рекомендуемый уровень расположения противня.

12. По окончании процесса приготовления на дисплее появится надпись «Конец» и прозвучит звуковой сигнал.
  13. Чтобы выключить звуковой сигнал, нажмите любую кнопку.
- » Сигнал выключится и духовка автоматически завершит работу.



Чтобы отменить только настройки продолжительности приготовления или настройки продолжительности приготовления и окончания приготовления после их установки, необходимо сбросить продолжительность приготовления.

### Режим ускоренного разогрева (быстрый предварительный разогрев)

Используйте функцию ускоренного разогрева (быстрого предварительного разогрева), чтобы в духовке быстрее установилась нужная температура.



При размораживании, чистке и поддержании в нагретом состоянии режим ускоренного разогрева недоступен. В случае отключения электроэнергии настройки ускоренного разогрева будут отменены.

1. Нажмите кнопку после установки температуры, режима работы, времени приготовления и времени окончания приготовления.
- » Будет отображаться символ и станет доступна настройка ускоренного разогрева (быстрый предварительный нагрев).

» По достижении заданной температуры в духовке индикатор «Ускор.» погаснет, и духовка вернется в режим, которая был выбран до включения ускоренного разогрева.

2. Чтобы отменить функцию ускоренного нагрева, снова нажмите на кнопку .

» Символ погаснет и ускоренный разогрев (быстрый предварительный нагрев) будет отключен.

### Выключение электрической духовки

Выключите духовку, коснувшись кнопки .

### Включение блокировки кнопок

Функцию блокировки кнопок можно использовать для предотвращения вмешательства в работу духовки.

1. Коснитесь и удерживайте , пока на дисплее не появится символ .

» На дисплее появится надпись «OFF» (ВЫКЛ.).

2. Чтобы заблокировать кнопки, нажмите .

» Как только функция блокировки кнопок будет активирована, на дисплее появится надпись «On» (Вкл.), и начнет светиться индикатор .

Подтвердите, нажав .



После включения функции блокировки кнопок кнопки духового шкафа не действуют. В случае отключения электроэнергии функция блокировки кнопок не будет отменена.

### Чтобы отключить блокировку кнопок, нажмите

1. Коснитесь и удерживайте , пока на дисплее не появится символ .

» На дисплее появится надпись «On» (Вкл.).

2. Отключите функцию Key lock (блокировка кнопок), нажав на кнопку .

» При выключении функции Key lock (блокировка кнопок) на экране появится надпись «OFF» (ВЫКЛ.). Подтвердите, нажав .





После включения функции блокировки кнопок кнопки духового шкафа не действуют. В случае отключения электроэнергии функция блокировки кнопок не будет отменена.

### Настройка сигнального таймера


Часы прибора можно использовать не только для настройки программы приготовления, но и для предупреждения или напоминания. Сигнальный таймер не влияет на работу духового шкафа. Он используется только для предупреждения. Например, его можно


использовать для напоминания о том, что в определенное время нужно перевернуть продукты в духовом шкафу. По истечении заданного времени таймер подаст звуковой сигнал.


1. Коснитесь и удерживайте , пока на дисплее не появится символ .



Максимальное время при установке звукового сигнала – 23 часа 59 минут.

2. Установите продолжительность звукового сигнала, с помощью кнопок .

» После установки интервала включения звукового сигнала индикатор  останется включенным и на дисплее появится значение заданного временного интервала.


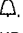

3. По истечении заданного временного интервала индикатор  начнет мигать и прозвучит сигнал.

### Выключение звукового сигнала

1. Продолжительность звукового сигнала – 2 минуты. Для выключения звукового сигнала нажмите любую кнопку.

» Звуковой сигнал выключится и на дисплее будет показано текущее время.





### Отключение звукового сигнала;

1. Чтобы отключить звуковой сигнал, коснитесь и удерживайте , пока на дисплее не появится символ .
2. Нажмите и удерживайте кнопку , пока на дисплее не отобразится «00:00».



Будет показано время включения сигнала. Если одновременно установить сигнальный таймер и продолжительность приготовления, на цифровом индикаторе будет показан более короткий временной интервал.


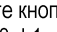

### Изменение времени суток

1. Последовательно нажимайте кнопку , пока на дисплее не появится символ .
2. Чтобы установить время, используйте кнопки .
3. Нажмите на символ  и подождите 4 секунды, не нажимая кнопку для подтверждения настроек.


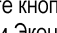





При отключении электроэнергии настройки установленного времени сбрасываются. Следует повторить его установку. Текущее время нельзя изменить, когда выполняется любая из функций духового шкафа.

### Регулировка громкости

1. Пока духовка находится в режиме ожидания, коротко касайтесь кнопки  до появления на дисплее сообщения «VOL» (ГРОМК.).
2. Нажмите кнопки  для выбора одного из тонов L0, L1 и L2.
3. Для подтверждения настроек нажмите кнопку  или подождите 4 секунды, не касаясь кнопок.

### Отрегулируйте освещение в Экономичном режиме.

1. Пока духовка находится в режиме ожидания, коротко касайтесь кнопки  до появления на дисплее сообщения «LP» (ОСВ.).
2. Нажмите кнопки  для выбора функций Вкл. или Экономичного режима.
3. Для подтверждения настроек нажмите кнопку  или подождите 4 секунды, не касаясь кнопок.
4. При выборе функции ON (ВКЛ.): пока открыта дверь духовки, находящейся в режиме ожидания, и во время эксплуатации, освещение ВКЛЮЧЕНО постоянно.
5. При выборе функции ECO (Экон. режим): пока открыта дверь духовки, находящейся в режиме ожидания, и во время эксплуатации, освещение ВКЛЮЧАЕТСЯ, а затем ОТКЛЮЧАЕТСЯ через 15 секунд.

При касании любой кнопки во время эксплуатации (за исключением кнопок  и ) освещение ВКЛЮЧАЕТСЯ, а затем ОТКЛЮЧАЕТСЯ через 15 секунд.

## Время приготовления блюд



Значения времени в этой таблице следует считать справочными. Они могут изменяться в зависимости от температуры продуктов, толщины, вида и ваших кулинарных предпочтений.

## Выпечка и жарение



1-й полкой духового шкафа является нижняя полка.

Блюдо	Количество уровней размещения		Уровень размещения	Температура (°C)	Примерное время приготовления (мин.)
Выпечка на противне*	Один уровень		3	175	25 ... 30
Выпечка в форме*	Один уровень		2	180	40 ... 50
Выпечка в кулинарной бумаге*	Один уровень		3	175	25 ... 30
	2 уровня		1 - 5	175	30 ... 40
	3 уровня		1 - 3 - 5	180	45 ... 55
Бисквит*	Один уровень		3	200	5 ... 10
	2 уровня		1 - 5	175	20 ... 30
Печенье*	Один уровень		3	175	25 ... 30
	2 уровня		1 - 5	170 ... 190	30 ... 40
	3 уровня		1 - 3 - 5	175	35 ... 45
Изделия из теста*	Один уровень		2	200	30 ... 40
	2 уровня		1 - 5	200	45 ... 55
	3 уровня		1 - 3 - 5	200	55 ... 65
Сдобная выпечка*	Один уровень		2	200	25 ... 35
	2 уровня		1 - 5	200	35 ... 45
	3 уровня		1 - 3 - 5	190	45 ... 55
Закваска*	Один уровень		2	200	35 ... 45
	2 уровня		1 - 3	190	35 ... 45
Лазанья*	Один уровень		2 - 3	200	30 ... 40
Пицца*	Один уровень		2	200 ... 220	15 ... 20
	Один уровень		3	200	10 ... 15
Бифштекс (куском) / Жаркое	Один уровень		3	25 мин. 250/макс., затем 180 - 190	100 ... 120
Баранья нога (запеканка)	Один уровень		3	25 мин. 250/макс., затем 190	70 ... 90
	Один уровень		3	25 мин. 250/макс., затем 190	60 ... 80
Жареная курица	Один уровень		2	15 мин. 250/макс., затем 180 - 190	55 ... 65
	Один уровень		2	15 мин. 250/макс., затем 180 - 190	55 ... 65
Индейка (5,5 кг)	Один уровень		1	25 мин. 250/макс., затем 180 - 190	150 ... 210
	Один уровень		1	25 мин. 250/макс., затем 180 - 190	150 ... 210
Рыба	Один уровень		3	200	20 ... 30
	Один уровень		3	200	20 ... 30

При одновременном приготовлении блюд на 2 противнях поставьте более глубокий противень на верхнюю полку, а более мелкий – на нижнюю полку.  
\* Перед приготовлением любых блюд рекомендуется разогреть духовой шкаф.

## Slow cooking (Медл. приготовление)/Нагрев + вентилятор – экономичный режим



Не изменяйте температуру во время приготовления в режиме "Slow cooking (Медл. приготовление)/Нагрев + вентилятор – экономичный режим".



Не открывайте дверцу во время приготовления в режиме "Slow cooking (Медл. приготовление)/Нагрев + вентилятор – экономичный режим".

Блюдо	Количество уровней размещения		Уровень размещения	Температура (°C)	Примерное время приготовления (мин.)
Мясная запеканка	Один уровень		3	160	100 ... 120
Запеканка из курицы	Один уровень		3	160	70 ... 100
Блюда из фасоли	Один уровень		3	160	130 ... 150
Запеканка из баклажанов	Один уровень		3	160	130 ... 150
Мясо куском	Один уровень		3	160	110 ... 130
Мясо порционными кусками	Один уровень		3	160	100 ... 120
Выпечка в кулинарной бумаге	Один уровень		3	185	35 ... 40
Печенье	Один уровень		3	185	30 ... 35
Изделия из теста	Один уровень		3	200	40 ... 45
Сдобная выпечка	Один уровень		3	200	40 ... 45

- Выполните разогрев в течение 6-7 минут.
- Белое и красное мясо перед приготовлением следует сложить в посуду и, периодически переворачивая, готовить до выпаривания жидкости.
- Фасоль перед приготовлением следует проварить около 30 минут. Можно использовать консервированную фасоль.
- Чтобы блюдо было вкуснее, накройте посуду крышкой.

### Советы по выпечке

- Если изделие получается слишком сухим, следует повысить температуру примерно на 10°C и сократить время приготовления.
- Если изделие получается сырым, следует уменьшить количество жидкости или понизить температуру на 10°C.
- Если верхняя корочка слишком зарумянивается, следует поставить изделие ниже, понизить температуру и увеличить время приготовления.
- Если изделие хорошо пропекается, но снаружи пригорает, следует уменьшить количество жидкости, понизить температуру и увеличить время приготовления.

### Советы по выпечке

- Если изделие получается слишком сухим, следует повысить температуру примерно на 10°C и сократить время приготовления. Смажьте слои теста смесью из молока, растительного масла, яиц и йогурта.

- Следите за тем, чтобы толщина изделия не превышала глубины противня, иначе оно будет долго выпекаться.
- Если верхний слой изделия подгорает, а нижний остается сырым, возможно, в нижнем слое изделия слишком много начинки. Чтобы изделие ровно подрумянивалось, старайтесь равномерно распределять начинку между слоями теста и по поверхности изделия.



При выпечке изделий из теста соблюдайте режим и температуру, указанные в таблице рецептов. Если нижний слой изделия плохо пропекается, в следующий раз поставьте противень на один уровень ниже.

### Советы по приготовлению овощных блюд

- Если овощи выпускают сок и становятся слишком сухими, готовьте их не на противне, а в сковороде под крышкой. В закрытой посуде сок сохранится.

- Если овощное блюдо остается сыроватым, прежде чем готовить овощи в духовом шкафу, можно их проварить или пропарить.



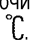

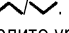
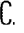



## Как пользоваться грилем



### ПРЕДУПРЕЖДЕНИЕ!

Закрывайте дверцу во время приготовления пищи на гриле. Горячие поверхности могут причинить ожоги!

### Включение гриля

1. Первый режим работы будет отображен на дисплее после нажатия кнопки , которая откроет духовку.
  2. Выберите нужную функцию гриля, нажимая кнопки .
  3. Если вы хотите изменить рекомендуемую температуру для режима работы, включите поле «Температура», нажав на кнопку .
- » Замигает символ .
4. Установите нужную температуру, касаясь кнопок .
  5. Подтвердите уровень температуры, нажав на кнопку .
  6. Нажмите кнопку  , чтобы начать приготовление блюд на гриле, если температура и режим работы соблюдены. На дисплее отобразится символ .



» После этого духовка начнет работу в выбранном режиме и будет нагреваться, пока


### Приготовление блюд на электрическом гриле

Продукты	Уровень размещения	Время приготовления на гриле (прибл.)
Рыба	4..5	20..25 мин. *
Курица (куски)	4..5	25..35 мин.
Отбивные из молодой баранины	4..5	20..25 мин.
Ростбиф	4..5	25..30 мин. *
Отбивные из телятины	4..5	25..30 мин. *
Гренки	4	1..2 мин.


\* в зависимости от толщины

температура внутри духовки не достигнет заданного уровня. Когда температура в духовке будет подниматься до заданного уровня, будут загораться отметки индикатора температуры внутри духовки. На дисплее «Кулинария» появятся обозначения дополнительных активных нагревательных элементов, а также рекомендуемый уровень расположения противня.

7. Вы можете завершить процесс приготовления блюд на гриле, снова нажав кнопку  .

» Духовка завершит приготовление блюд на гриле и на дисплее появится символ .

### Выключение гриля

1. Коснитесь и удерживайте кнопку  в течение 2 секунд, чтобы закрыть духовку.



Продукты, которые не подходят для приготовления на гриле, могут привести к возгоранию. На гриле можно готовить только такие продукты, которые выдерживают интенсивный нагрев. Не размещайте продукты слишком близко к задней части гриля. Эта зона нагревается сильнее всего, и жирные продукты могут загореться.

### Время приготовления блюд на гриле

## 6 Уход и техническое обслуживание

### Общие сведения

Регулярно выполняйте чистку прибора. Это позволит продлить срок его службы, а также избежать многих проблем.



#### ОПАСНО:

Перед выполнением работ по обслуживанию и чистке отключите прибор от электрической сети. Существует риск поражения электрическим током!



#### ОПАСНО:

Дайте изделию остыть, прежде чем приступать к чистке. Горячие поверхности могут причинить ожоги!

- Прибор следует тщательно чистить после каждого использования. Так легче удалять остатки пищи, которые могут пригореть при следующем использовании прибора.
- Для чистки прибора не требуются специальные чистящие средства. Прибор можно вымыть теплой водой с добавлением жидким моющего средства, используя мягкую ткань или губку. А затем протереть сухой тканью.
- Обязательно протирайте прибор насухо после чистки и сразу же удаляйте попавшую на него жидкость.
- Не используйте для чистки ручки и поверхностей из нержавеющей стали чистящие средства, содержащими кислоту или хлор. Эти детали можно протирать мягкой тканью, смоченной в жидком моющем средстве (без абразивных добавок), стараясь тереть в одном направлении.



Некоторые моющие средства и чистящие материалы могут повредить поверхность. Не используйте для чистки агрессивные моющие средства, чистящие порошки/кремы, а также острые предметы.



Не используйте для чистки устройства парочистители, поскольку это может привести к поражению электрическим током.

### Чистка панели управления

Очистьте панель управления и ручки-регуляторы влажной тканью и вытрите насухо.

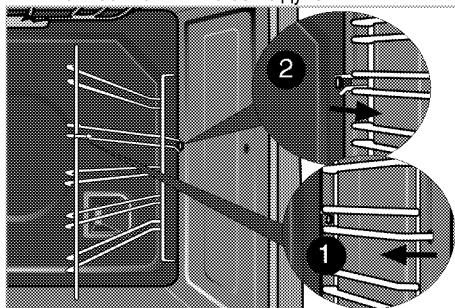


Для чистки панели управления не снимайте кнопки/ручки-регуляторы. Так можно повредить панель управления!

### Чистка духовки

#### Чистка боковых стенок

1. Снимите переднюю часть решетки, оттянув ее от боковой стенки.
2. Потяните боковую решетку к себе и полностью выньте ее из духовки.



#### Стенки с каталитическим покрытием

Боковые стенки или только задняя стенка духовки могут быть покрыты каталитической эмалью. Стенки духовки с каталитическим покрытием не нуждаются в чистке. Пористые поверхности стенок впитывают и разлагают брызги жира (на воду и углекислый газ) и, таким образом, самоочищаются.

#### Чистка дверцы духовки

Мойте дверцу духовки мягкой тканью или губкой, смоченной в теплой воде с добавлением жидкого моющего средства, и вытирайте сухой тканью.



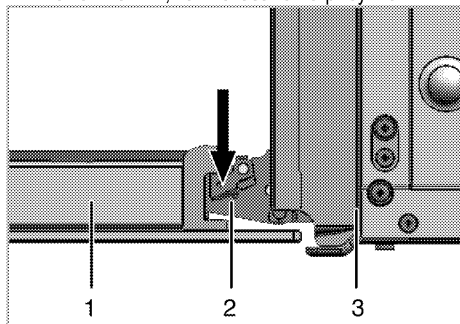
Не используйте для чистки дверцы моющие средства с абразивными веществами или металлические скребки. Они могут поцарапать поверхность и повредить стекло.



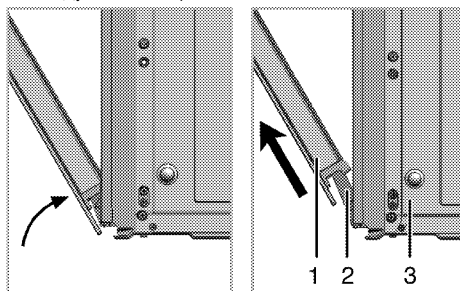
Внутреннее стекло дверцы имеет покрытие для облегчения очистки. Не используйте для чистки внутреннего стекла дверцы моющие средства с абразивными веществами, металлические скребки, жесткие губки или отбеливающие средства, чтобы не поцарапать поверхность. Они могут повредить покрытие.

## Снятие дверцы духового шкафа

1. Откройте переднюю дверцу (1).
2. Откройте зажимы на корпусе петли (2) с правой и левой стороны передней дверцы, нажав на них, как показано на рисунке.



- 1 Передняя дверца
- 2 Петля
- 3 Духовой шкаф



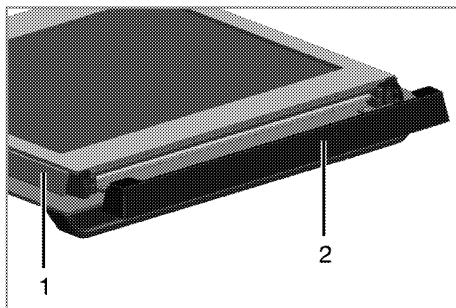
3. Откройте переднюю дверцу наполовину.
4. Снимите переднюю дверцу, потянув ее вверх и освободив от правой и левой петли.



Для установки дверцы на место следует выполнить в обратном порядке действия по снятию. Не забудьте закрыть зажимы на корпусе петли при установке дверцы на место.

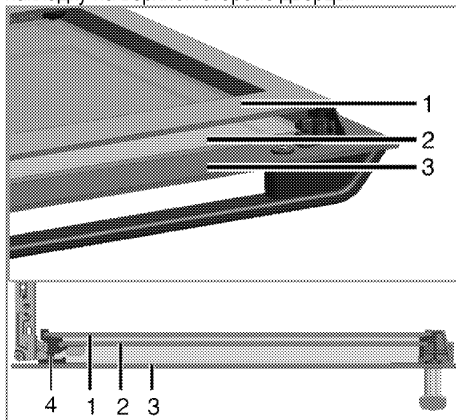
## Снятие внутреннего стекла дверцы

Внутреннее стекло панели дверцы духового шкафа можно снять для чистки. Откройте дверцу духовки.



- 1 Рамка
- 2 Пластмассовая накладка

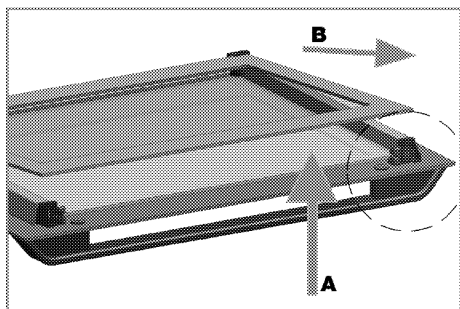
Потяните к себе и снимите пластмассовую накладку на верхней стороне дверцы.



- 1 Первое внутреннее стекло
- 2 Внутреннее стекло
- 3 Внешнее стекло
- 4 Пластмассовый держатель стекла – нижний

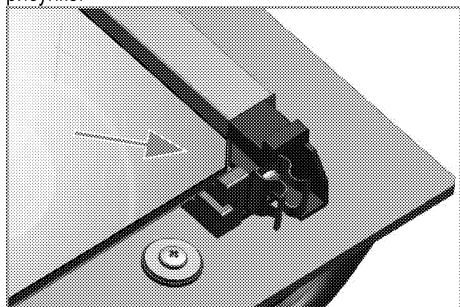
Приподнимите первое внутреннее стекло (1) в направлении **A** и вытяните его в направлении **B**, как показано на рисунке.

Чтобы вынуть среднее стекло (2), повторите эти же действия.



При сборке дверцы сначала следует вставить среднее стекло (2).

Вставляйте стекла таким образом, чтобы скошенный угол стекла попал на фаску пластмассового держателя, как показано на рисунке.



Среднее стекло (2) следует установить в пластмассовый держатель рядом с первым внутренним стеклом (1). Внутреннее стекло (1) следует устанавливать таким образом, чтобы надпись на стекле была обращена к среднему стеклу.

Следите за тем, чтобы нижний угол среднего стекла был правильно вставлен в нижний пластмассовый держатель.

Прижмите пластмассовую накладку к раме до щелчка.

### Замена лампочки освещения духового шкафа



**ОПАСНО:**

Во избежание поражения электрическим током, прежде чем заменять лампочку, убедитесь в том, что электроприбор отсоединен от сети и остыл.

Горячие поверхности могут причинить ожоги!



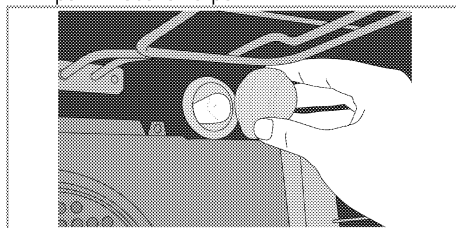
Для освещения духового шкафа используется специальная электрическая лампочка, которая может выдерживать температуру до 300 С. Дополнительные сведения см. в разделе "Технические характеристики, стр. 12". Лампочки освещения духового шкафа можно приобрести в фирменных сервисных центрах.



Расположение лампочки может отличаться от изображения на рисунке.

### Замена круглой лампочки освещения духового шкафа

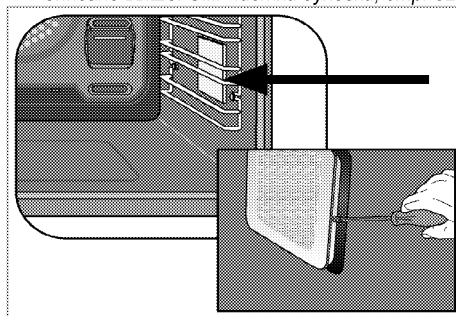
1. Отсоедините духовой шкаф от электросети.
2. Снимите стеклянный плафон, повернув его против часовой стрелки.



3. Вытащите лампочку из патрона и установите на ее место новую.
4. Установите на место стеклянный плафон.

### Замена прямоугольной лампочки освещения духового шкафа

1. Отсоедините духовой шкаф от электросети.
2. Снимите проволочные направляющие, как описано выше. См. *Чистка духовки, стр. 32*.



3. Снимите стеклянный плафон с помощью отвертки.
4. Вытащите лампочку освещения духового шкафа и установите на ее место новую.
5. Установите на место стеклянный плафон и проволочные направляющие.



## 7 Поиск и устранение неисправностей

### Во время работы из духового шкафа выделяется пар.

- Вполне нормально, если пар выделяется во время работы. >>> *Это не является неисправностью.*

### При нагревании и охлаждении прибор издает металлические шумы.

- При нагревании металлические детали могут расширяться и издавать звуки. >>> *Это не является неисправностью.*

### Прибор шкафа не работает.

- Плавкий предохранитель неисправен или сработал. >>> *Проверьте плавкие предохранители в блоке предохранителей. При необходимости замените их или включите.*
- Духовой шкаф не включен в (заземленную) розетку электросети. >>> *Проверьте соединение штепсельной вилки.*

### Освещение духовки не работает.

- Лампочка освещения духового шкафа неисправна. >>> *Замените лампочку освещения шкафа.*
- Нет электропитания. >>> *Проверьте наличие электропитания. Проверьте предохранители в блоке предохранителей. При необходимости замените или включите предохранители.*

### Духовка не нагревается.

- Не задана функция или температура. >>> *Выберите функцию и установите температуру с помощью переключателя функций и (или) регулятора температуры.*
- Нет электропитания. >>> *Проверьте наличие электропитания. Проверьте предохранители в блоке предохранителей. При необходимости замените или включите предохранители.*



Если вы не можете устранить неполадки, несмотря на выполнение инструкций, приведенных в данном разделе, обратитесь к представителю авторизованной сервисной службы. Не пытайтесь самостоятельно отремонтировать неисправный электроприбор.

Изготовитель: «Arcelik A.S.»

Юридический адрес: Караач Джаддеси № 2-6 34445 Сютлюдже Стамбул, Турция  
(Karaağaç Caddesi No:2-6 Sütlüce, 34445, Turkey)

Произведено в Турции

Импортер на территории РФ: ООО «БЕКО»

Юридический адрес: 601021 Россия, Владимирская обл., Киржачский р-н, МОСП Першинское, дер. Федоровское, ул. Сельская, д. 49.

Информацию о сертификации продукта Вы можете уточнить, позвонив на горячую линию 8-800-200-23-56.

Дата производства включена в серийный номер продукта, указанный на этикетке, расположенной на продукте, а именно: первые две цифры серийного номера обозначают год производства, а последние две – месяц. Например, "10-100001-05" обозначает, что продукт произведен в мае 2010 года.

Изготовитель оставляет за собой право на внесение изменений в конструкцию, дизайн и комплектацию электроприбора.





