

**Trust**

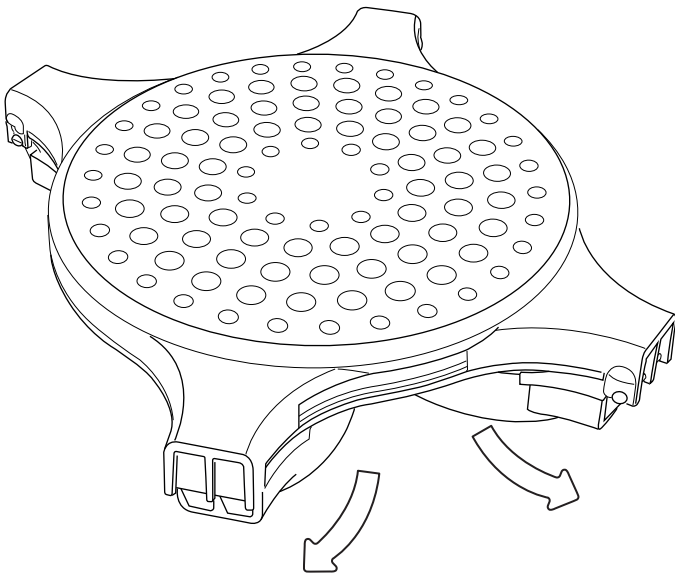


## Quick Installation Guide

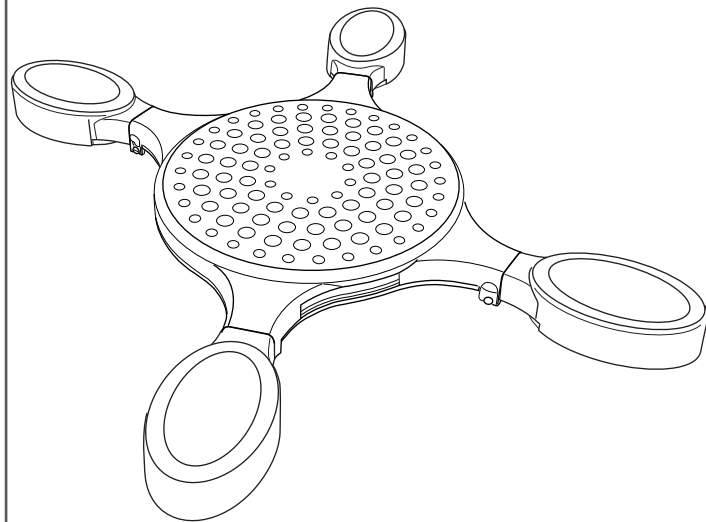
Cooling stand

17851

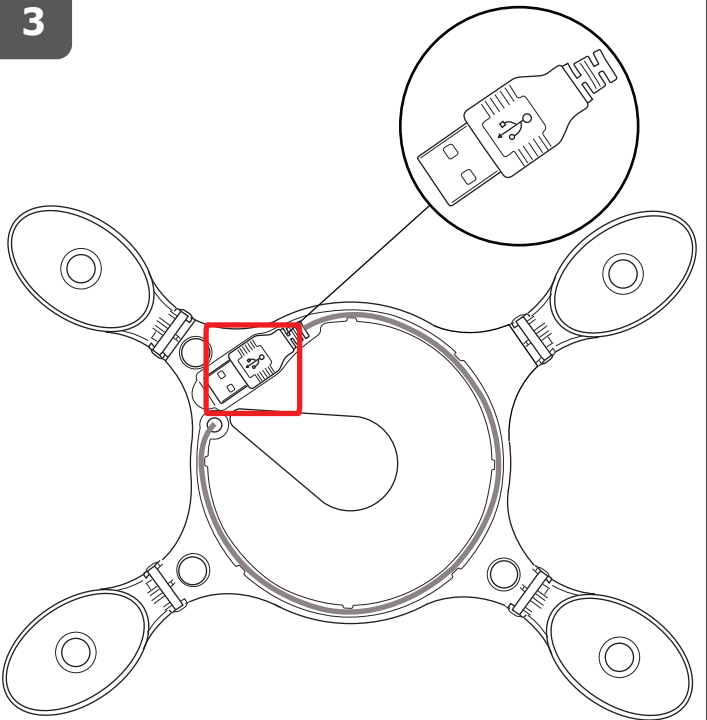
1



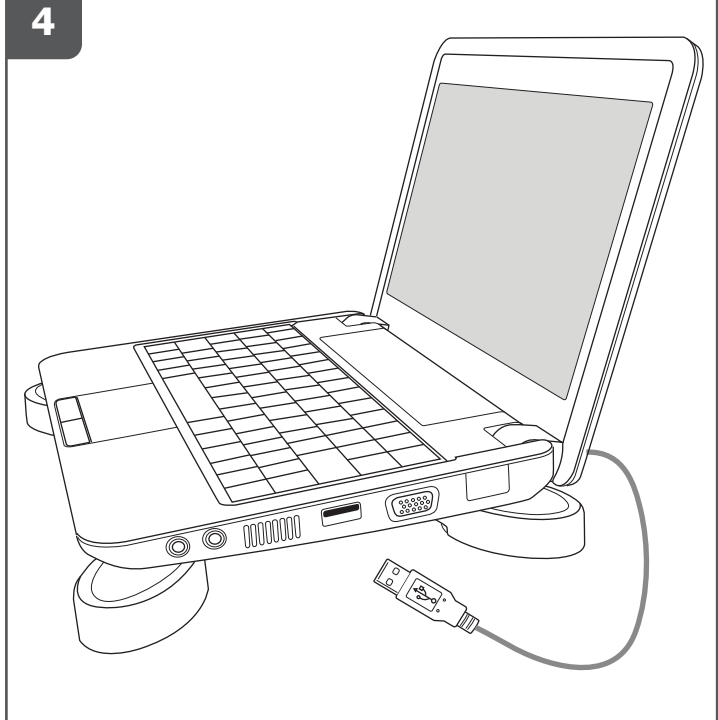
2



3



4



?

**FAQ** → [trust.com/17851/faq](https://trust.com/17851/faq)