

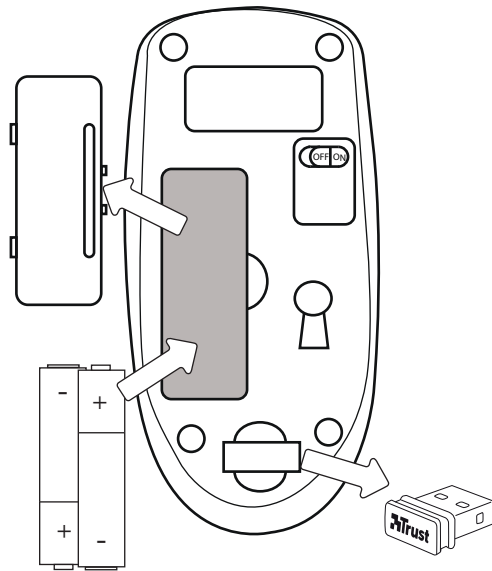


Quick Installation Guide

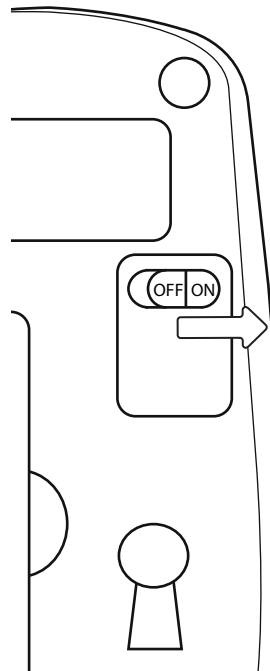
Outline Wireless Deskset

16593-02

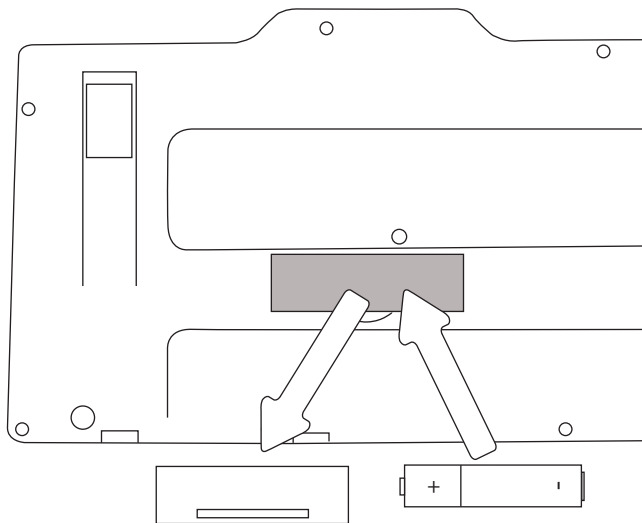
1



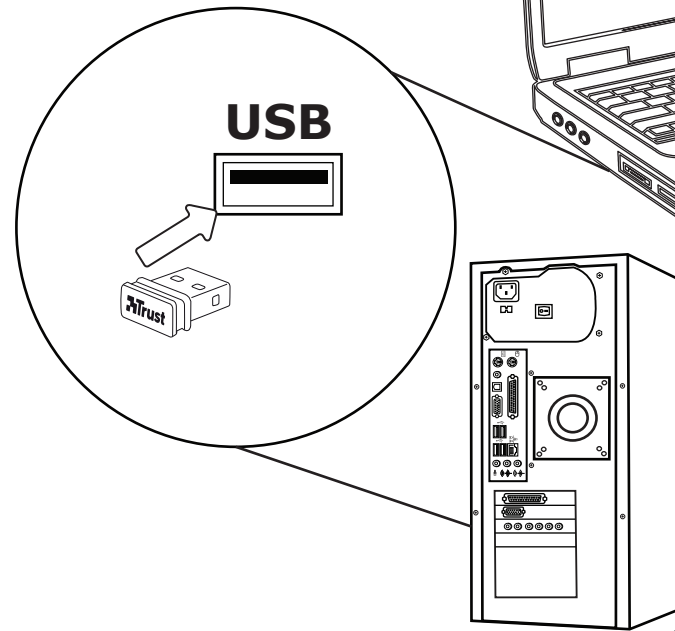
2



3



4



?

FAQ → trust.com/16593/faq