



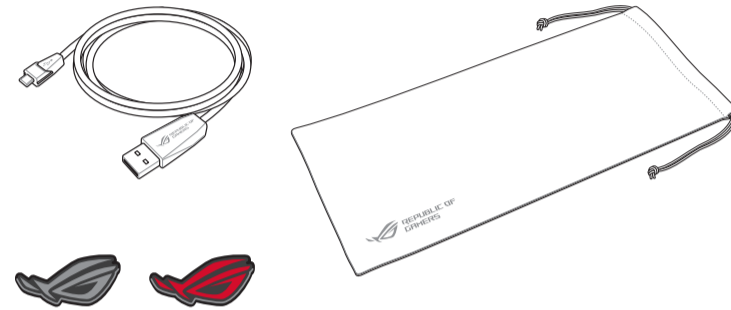
# MECHANICAL GAMING KEYBOARD ROG CLAYMORE CORE

Quick Start Guide	Beüzemelési útmutató
快速使用指南 (繁體中文)	Стисле керівництво для початку експлуатації
快速使用指南 (简体中文)	Instrukcja szybkiej instalacji
クイックスタートガイド	Rychlý průvodce
빠른 시작 설명서	Ghid de pornire rapidă
Guide de démarrage rapide	Snabbstartsguide
Schnellstartanleitung	Stručný návod na spustenie
Guía rápida	Quick Start-vejledning
Краткое руководство	Pikaopas
Guia de início rápido	Hurtigstartveiledning
Beknopte handleiding	Guia de consulta rápida
Hızlı Başlangıç Kılavuzu	دليل التشغيل السريع

E11703  
First Edition  
May 2016  
Copyright © ASUSTeK Computer Inc.  
All Rights Reserved



## Package Contents



- Sluit uw toetsenbord aan op de pc.
- Download en installeer de ROG Armoury software van [www.asus.com/ROG-Republic-of-Gamers/ROG-Claymore-Core/HelpDesk\\_Download/](http://www.asus.com/ROG-Republic-of-Gamers/ROG-Claymore-Core/HelpDesk_Download/).
- Volg de softwareinstructies voor het bijwerken van de firmware van uw toetsenbord.
- Pas uw toetsenbord aan met Armoury.

- Ligue o teclado ao PC.
- Transfira e instale o software ROG Armoury a partir de [www.asus.com/ROG-Republic-of-Gamers/ROG-Claymore-Core/HelpDesk\\_Download/](http://www.asus.com/ROG-Republic-of-Gamers/ROG-Claymore-Core/HelpDesk_Download/).
- Siga as instruções do software para atualizar o firmware do teclado.
- Personalize o teclado utilizando o software Armoury.

- Подключите клавиатуру к компьютеру.
- Скачайте и установите программное обеспечение ROG Armoury с [www.asus.com/ROG-Republic-of-Gamers/ROG-Claymore-Core/HelpDesk\\_Download/](http://www.asus.com/ROG-Republic-of-Gamers/ROG-Claymore-Core/HelpDesk_Download/).
- Следуйте инструкциям для обновления прошивки клавиатуры.
- Настройка клавиатуры с помощью Armoury.

- Liitä näppäimistö PC-tietokoneeseen.
- Lataa ja asenna ROG Armoury -ohjelmisto osoitteesta [www.asus.com/ROG-Republic-of-Gamers/ROG-Claymore-Core/HelpDesk\\_Download/](http://www.asus.com/ROG-Republic-of-Gamers/ROG-Claymore-Core/HelpDesk_Download/).
- Päivitä näppäimistösi laiteohjelmisto ohjelmiston ohjeiden mukaisesti.
- Mukauta näppäimistösi Armoury-ohjelmistolla.

- Csatlakoztassa a billentyüzetet a PC-hez.
- Tölts le és telepítse az ROG Armoury szoftvert a következő weboldalról: [www.asus.com/ROG-Republic-of-Gamers/ROG-Claymore-Core/HelpDesk\\_Download/](http://www.asus.com/ROG-Republic-of-Gamers/ROG-Claymore-Core/HelpDesk_Download/).
- Frissítse a billentyűzet firmware-ét a szoftver útmutatása szerint.
- Testreszabhatja a billentyűzetet az Armoury segítségével.

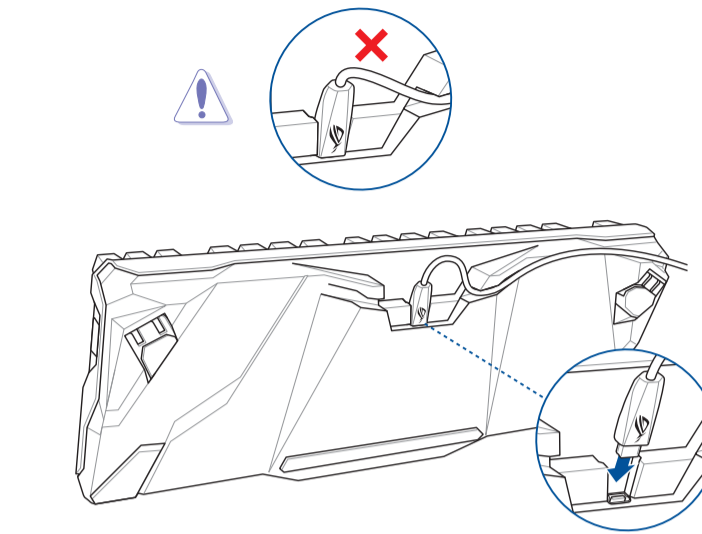
- Koble tastaturet til PC-en.
- Last ned og installer ROG Armoury-programvaren fra [www.asus.com/ROG-Republic-of-Gamers/ROG-Claymore-Core/HelpDesk\\_Download/](http://www.asus.com/ROG-Republic-of-Gamers/ROG-Claymore-Core/HelpDesk_Download/).
- Følg bruksanvisningen i programvaren for å oppdatere fastvaren til tastaturet.
- Tilpass tastaturet ved hjelp av Armoury.

- Podłącz klawiaturę do komputera.
- Pobierz i zainstaluj oprogramowanie ROG Armoury ze strony [www.asus.com/ROG-Republic-of-Gamers/ROG-Claymore-Core/HelpDesk\\_Download/](http://www.asus.com/ROG-Republic-of-Gamers/ROG-Claymore-Core/HelpDesk_Download/).
- Wykonaj instrukcje w oprogramowaniu, aby zaktualizować oprogramowanie sprzętowe klawiatury.
- Dostosuj klawiaturę za pomocą oprogramowania Armoury.

- Klávesnici pripojte k počítaču.
- Z lokality [www.asus.com/ROG-Republic-of-Gamers/ROG-Claymore-Core/HelpDesk\\_Download/](http://www.asus.com/ROG-Republic-of-Gamers/ROG-Claymore-Core/HelpDesk_Download/) si prevezmite súbor ROG Armoury a nainštalujte si ho.
- Pri aktualizovaní firmvéru klávesnice postupujte podľa návodu na softvér.
- Klávesnicu si prispôsobte podľa aplikácie Armoury.

- Anslut ditt tangentbord till datorn.
- Hämta och installera ROG Armoury-programvaran från [www.asus.com/ROG-Republic-of-Gamers/ROG-Claymore-Core/HelpDesk\\_Download/](http://www.asus.com/ROG-Republic-of-Gamers/ROG-Claymore-Core/HelpDesk_Download/).
- Följ programvaruinstruktionerna för att uppdatera tangentbordets inbyggda programvara.
- Anpassa tangentbordet med Armoury.

- Підключіть клавіатуру до ПК.
- Завантажте і встановіть ПЗ ROG Armoury з [www.asus.com/ROG-Republic-of-Gamers/ROG-Claymore-Core/HelpDesk\\_Download/](http://www.asus.com/ROG-Republic-of-Gamers/ROG-Claymore-Core/HelpDesk_Download/).
- Виконуйте інструкцію до ПЗ, щоб оновити мікропрограму клавіатури.
- Пристосуйте клавіатуру за допомогою Armoury.



- Connect your keyboard to the PC.
- Download and install the ROG Armoury software from [www.asus.com/ROG-Republic-of-Gamers/ROG-Claymore-Core/HelpDesk\\_Download/](http://www.asus.com/ROG-Republic-of-Gamers/ROG-Claymore-Core/HelpDesk_Download/).
- Follow the software instructions to update your keyboard's firmware.
- Customize your keyboard using Armoury.

- Connectez votre clavier à l'ordinateur.
- Téléchargez et installez le logiciel ROG Armoury sur [www.asus.com/ROG-Republic-of-Gamers/ROG-Claymore-Core/HelpDesk\\_Download/](http://www.asus.com/ROG-Republic-of-Gamers/ROG-Claymore-Core/HelpDesk_Download/).
- Suivez les instructions du logiciel pour mettre à jour le firmware de votre clavier.
- Personnalisez votre clavier avec Armoury.

۱. وصل لوحة المفاتيح بالحواسب الشخصي.
۲. قم بتحميل برنامج ROG Armoury وتنصيبه من خلال الرابط [www.asus.com/ROG-Republic-of-Gamers/ROG-Claymore-Core/HelpDesk\\_Download/](http://www.asus.com/ROG-Republic-of-Gamers/ROG-Claymore-Core/HelpDesk_Download/).
۳. اتبع تعليمات البرنامج لتحديث البرنامج الثابت الخاص بلوحة المفاتيح لديك.
۴. خصص لوحة المفاتيح لديك باستخدام برنامج Armoury.

- Conectați tastatura la PC.
- Descărcați și instalați software-ul ROG Armoury de la adresa [www.asus.com/ROG-Republic-of-Gamers/ROG-Claymore-Core/HelpDesk\\_Download/](http://www.asus.com/ROG-Republic-of-Gamers/ROG-Claymore-Core/HelpDesk_Download/).
- Urmați instrucțiunile software-ului pentru a actualiza firmware-ul tastaturii.
- Particularizați tastatura cu ajutorul software-ului Armoury.

- 将键盘连接至电脑。
- 下载并安装 ROG Armoury 软件。下载地址：[www.asus.com/ROG-Republic-of-Gamers/ROG-Claymore-Core/HelpDesk\\_Download/](http://www.asus.com/ROG-Republic-of-Gamers/ROG-Claymore-Core/HelpDesk_Download/)
- 依照软件指示更新键盘固件。
- 通过 Armoury 个性化您的键盘。

- USBケーブルで本製品とパソコンを接続します。
- ASUS Web サイトのサポートページからドライバーソフトウェアをダウンロードし実行します。  
[www.asus.com/ROG-Republic-of-Gamers/ROG-Claymore-Core/HelpDesk\\_Download/](http://www.asus.com/ROG-Republic-of-Gamers/ROG-Claymore-Core/HelpDesk_Download/)
- 画面の指示に従い、キーボードのファームウェアを更新します。
- Armoury ユーティリティでキーボードの設定をカスタマイズします。

- 키보드를 PC에 연결합니다.
- [www.asus.com/ROG-Republic-of-Gamers/ROG-Claymore-Core/HelpDesk\\_Download/](http://www.asus.com/ROG-Republic-of-Gamers/ROG-Claymore-Core/HelpDesk_Download/)에서 ROG Armoury 소프트웨어를 다운로드하여 설치합니다.
- 소프트웨어 지침에 따라 키보드의 펌웨어를 업데이트합니다.
- Armoury를 사용하여 키보드를 사용자 지정합니다.

- Schließen Sie Ihre Tastatur an den PC an.
- Laden Sie die ROG Armoury Software unter [www.asus.com/ROG-Republic-of-Gamers/ROG-Claymore-Core/HelpDesk\\_Download/](http://www.asus.com/ROG-Republic-of-Gamers/ROG-Claymore-Core/HelpDesk_Download/) herunter und installieren Sie sie.
- Befolgen Sie die Anweisungen in der Software, um die Firmware Ihrer Tastatur zu aktualisieren.
- Passen Sie Ihre Tastatur über Armoury an.

- Collegate la tastiera al PC.
- Scaricate e installate il software ROG Armoury dal sito [www.asus.com/ROG-Republic-of-Gamers/ROG-Claymore-Core/HelpDesk\\_Download/](http://www.asus.com/ROG-Republic-of-Gamers/ROG-Claymore-Core/HelpDesk_Download/).
- Seguite le istruzioni del software per aggiornare il firmware della vostra tastiera.
- Usate Armoury per personalizzare la vostra tastiera.

- Conecte el teléfono a su PC.
- Descargue e instale el software ROG Armoury desde [www.asus.com/ROG-Republic-of-Gamers/ROG-Claymore-Core/HelpDesk\\_Download/](http://www.asus.com/ROG-Republic-of-Gamers/ROG-Claymore-Core/HelpDesk_Download/).
- Siga las instrucciones de software para actualizar el firmware del teclado.
- Personalice el teclado mediante Armoury.

- Klavyenizi bilgisayaraya bağlayın.
- ROG Armoury yazılımını [www.asus.com/ROG-Republic-of-Gamers/ROG-Claymore-Core/HelpDesk\\_Download/](http://www.asus.com/ROG-Republic-of-Gamers/ROG-Claymore-Core/HelpDesk_Download/) adresinden indirip yükleyin.
- Klavyenin yazılım güncellemek için yazılım yönergelerini izleyin.
- Armoury yazılımını kullanarak klavyenizi özelleştirin.

- Pripojte klávesnici k počítaču.
- Stáhněte a nainštalujte software ROG Armoury z webu [www.asus.com/ROG-Republic-of-Gamers/ROG-Claymore-Core/HelpDesk\\_Download/](http://www.asus.com/ROG-Republic-of-Gamers/ROG-Claymore-Core/HelpDesk_Download/).
- Podle pokynů softwaru zaktualizujte firmware klávesnice.
- Přizpůsobte vaši klávesnici pomocí Armoury.

- Forbind dit tastatur til din pc.
- Download og installer programmet ROG Armoury fra [www.asus.com/ROG-Republic-of-Gamers/ROG-Claymore-Core/HelpDesk\\_Download/](http://www.asus.com/ROG-Republic-of-Gamers/ROG-Claymore-Core/HelpDesk_Download/).
- Følg instruktionerne i programmet, for at opdatere firmvaren til dit tastatur.
- Tilpas dit tastatur ved brug af Armoury.

- 將鍵盤連接至電腦。
- 下載並安裝 ROG Armoury 軟體。下載位址：[www.asus.com/ROG-Republic-of-Gamers/ROG-Claymore-Core/HelpDesk\\_Download/](http://www.asus.com/ROG-Republic-of-Gamers/ROG-Claymore-Core/HelpDesk_Download/)
- 依照軟體指示更新鍵盤韌體。
- 透過 Armoury 客製化您的鍵盤。



## Notices

### Federal Communications Commission Statement

This device complies with Part 15 of the FCC Rules. Operation is subject to the following two conditions:

- This device may not cause harmful interference.
- This device must accept any interference received including interference that may cause undesired operation.

This equipment has been tested and found to comply with the limits for a Class B digital device, pursuant to Part 15 of the FCC Rules. These limits are designed to provide reasonable protection against harmful interference in a residential installation. This equipment generates, uses and can radiate radio frequency energy and, if not installed and used in accordance with manufacturer's instructions, may cause harmful interference to radio communications. However, there is no guarantee that interference will not occur in a particular installation. If this equipment does cause harmful interference to radio or television reception, which can be determined by turning the equipment off and on, the user is encouraged to try to correct the interference by one or more of the following measures:

- Reorient or relocate the receiving antenna.
- Increase the separation between the equipment and receiver.
- Connect the equipment to an outlet on a circuit different from that to which the receiver is connected.
- Consult the dealer or an experienced radio/TV technician for help.



The use of shielded cables for connection of the monitor to the graphics card is required to assure compliance with FCC regulations. Changes or modifications to this unit not expressly approved by the party responsible for compliance could void the user's authority to operate this equipment.

### IC: Canadian Compliance Statement

Complies with the Canadian ICES-003 Class B specifications. This device complies with RSS 210 of Industry Canada. This Class B device meets all the requirements of the Canadian interference-causing equipment regulations.

This device complies with Industry Canada license exempt RSS standard(s). Operation is subject to the following two conditions: (1) this device may not cause interference, and (2) this device must accept any interference, including interference that may cause undesired operation of the device.

Cet appareil numérique de la Classe B est conforme à la norme NMB-003 du Canada. Cet appareil numérique de la Classe B respecte toutes les exigences du Règlement sur le matériel brouilleur du Canada.

Cet appareil est conforme aux normes CNR exemptes de licence d'Industrie Canada. Le fonctionnement est soumis aux deux conditions suivantes :

- (1) cet appareil ne doit pas provoquer d'interférences et
- (2) cet appareil doit accepter toute interférence, y compris celles susceptibles de provoquer un fonctionnement non souhaité de l'appareil.

### Canadian Department of Communications Statement

This digital apparatus does not exceed the Class B limits for radio noise emissions from digital apparatus set out in the Radio Interference Regulations of the Canadian Department of Communications.

This class B digital apparatus complies with Canadian ICES-003.

### VCCI: Japan Compliance Statement

#### Class B ITE

この装置は、クラスB情報技術装置です。この装置は、家庭環境で使用することを目的としていますが、この装置がラジオやテレビジョン受信機に近接して使用されると、受信障害を引き起こすことがあります。

取扱説明書に従って正しい取り扱いをして下さい。

V C C I - B

### REACH

Complying with the REACH (Registration, Evaluation, Authorisation, and Restriction of Chemicals) regulatory framework, we published the chemical substances in our products at ASUS REACH website at <http://csr.asus.com/english/REACH.htm>.



**DO NOT** throw the keyboard in municipal waste. This product has been designed to enable proper reuse of parts and recycling. This symbol of the crossed out wheeled bin indicates that the product (electrical and electronic equipment) should not be placed in municipal waste. Check local regulations for disposal of electronic products.

### ASUS Recycling/Takeback Services

ASUS recycling and takeback programs come from our commitment to the highest standards for protecting our environment. We believe in providing solutions for you to be able to responsibly recycle our products, batteries, other components as well as the packaging materials. Please go to <http://csr.asus.com/english/Takeback.htm> for detailed recycling information in different regions.

### Regional notice for California

**WARNING:** This product may contain chemicals known to the State of California to cause cancer, birth defects or other reproductive harm. Wash hands after handling.



**Latviski** ASUSTeK Computer Inc. ar šo paziņo, ka šī ierīce atbilst saistīto Direktīvu būtiskajām prasībām un citiem citiem saistītajiem nosacījumiem. Pilns ES atbilstības paziņojuma teksts pieejams šeit: [www.asus.com/support](http://www.asus.com/support)

**Lietuvių** „ASUSTeK Computer Inc.“ šiuo tvirtina, kad šis įrenginys atitinka pagrindinius reikalavimus ir kitas svarbias susijusių direktyvų nuostatas. Visą ES atitikties deklaracijos tekstą galima rasti: [www.asus.com/support](http://www.asus.com/support)

**Norsk** ASUSTeK Computer Inc. erklærer herved at denne enheten er i samsvar med hovedsaklige krav og andre relevante forskrifter i relaterte direktiver. Fullstendig tekst for EU-samsvarserklæringen finnes på: [www.asus.com/support](http://www.asus.com/support)

**Polski** Firma ASUSTeK Computer Inc. niniejszym oświadczam, że urządzenie to jest zgodne z zasadniczymi wymogami i innymi właściwymi postanowieniami powiązanych dyrektyw. Pełny tekst deklaracji zgodności UE jest dostępny pod adresem: [www.asus.com/support](http://www.asus.com/support)

**Português** A ASUSTeK Computer Inc. declara que este dispositivo está em conformidade com os requisitos essenciais e outras disposições relevantes das Diretivas relacionadas. Texto integral da declaração da UE disponível em: [www.asus.com/support](http://www.asus.com/support)

**Română** ASUSTeK Computer Inc. declară că acest dispozitiv se conformează cerințelor esențiale și altor prevederi relevante ale directivei conexe. Textul complet al declarației de conformitate a Uniunii Europene se găsește la: [www.asus.com/support](http://www.asus.com/support)

**Srpski** ASUSTeK Computer Inc. ovim izjavljuje da je ovaj uređaj u saglasnosti sa osnovnim zahtevima i drugim relevantnim odredbama povezanih Direktiva. Pun tekst EU deklaracije o usaglasenosti je dostupan da adresi: [www.asus.com/support](http://www.asus.com/support)

**Slovensky** Spoločnosť ASUSTeK Computer Inc. týmto vyhlasuje, že toto zariadenie vyhovuje základným požiadavkám a ostatným príslušným ustanoveniam príslušných smerníc. Celý text vyhlásenia o zhode pre štáty EÚ je dostupný na adrese: [www.asus.com/support](http://www.asus.com/support)

**Slovenščina** ASUSTeK Computer Inc. izjavlja, da je ta naprava skladna z bistvenimi zahtevami in drugimi ustreznimi določbami povezanih direktiv. Celotno besedilo EU-izjave o skladnosti je na voljo na spletnem mestu: [www.asus.com/support](http://www.asus.com/support)

**Español** Por la presente, ASUSTeK Computer Inc. declara que este dispositivo cumple los requisitos básicos y otras disposiciones pertinentes de las directivas relacionadas. El texto completo de la declaración de la UE de conformidad está disponible en: [www.asus.com/support](http://www.asus.com/support)

**Svenska** ASUSTeK Computer Inc. förklarar härmed att denna enhet överensstämmer med de grundläggande kraven och andra relevanta föreskrifter i relaterade direktiv. Fulltext av EU-försäkran om överensstämmelse finns på: [www.asus.com/support](http://www.asus.com/support)

**Українська** ASUSTeK Computer Inc. заявляє, що цей пристрій відповідає основним вимогам та іншим відповідним положенням відповідних Директив. Повний текст декларації відповідності стандартам ЄС доступний на: [www.asus.com/support](http://www.asus.com/support)

**Türkçe** ASUSTeK Computer Inc., bu aygıtın temel gereksinimlerle ve ilişkili Yönergelerin diğer ilgili koşullarına uyumlu olduğunu beyan eder. AB uyumluk bildirimini tam metni şu adreste bulunabilir: [www.asus.com/support](http://www.asus.com/support)

**Bosanski** ASUSTeK Computer Inc. ovim izjavljuje da je ovaj uređaj uskladen sa bitnim zahtjevima i ostalim odgovarajućim odredbama vezanih direktiva. Cijeli tekst EU izjave o uskladenosti dostupan je na: [www.asus.com/support](http://www.asus.com/support)

### ASUS contact information

#### ASUSTeK COMPUTER INC.

Address 4F, No. 150, Li-Te Road, Peitou, Taipei 112, Taiwan  
Telephone +886-2-2894-3447  
Fax +886-2-2890-7798  
Web site [www.asus.com](http://www.asus.com)

#### Technical Support

Telephone +86-21-38429911  
Fax +86-21-5866-8722, ext. 9101#  
Online support <http://qr.asus.com/techserv>

#### ASUS COMPUTER INTERNATIONAL (America)

Address 800 Corporate Way, Fremont, CA 94539, USA  
Telephone +1-510-739-3777  
Fax +1-510-608-4555  
Web site <http://www.asus.com/us/>

#### Technical Support

Support fax +1-812-284-0883  
Telephone +1-812-282-2787  
Online support <http://qr.asus.com/techserv>

#### ASUS COMPUTER GmbH (Germany and Austria)

Address Harkort Str. 21-23, 40880 Ratingen, Germany  
Fax +49-2102-959931  
Web site <http://www.asus.com/de>  
Online contact <http://eu-rma.asus.com/sales>

#### Technical Support

Telephone +49-2102-5789555  
Support Fax +49-2102-959911  
Online support <http://qr.asus.com/techserv>

<b>Manufacturer</b>	ASUSTeK Computer Inc.
	Tel: +886-2-2894-3447 Address: 4F, No. 150, LI-TE RD., PEITOU, TAIPEI 112, TAIWAN
<b>Authorised representative in Europe</b>	ASUSTeK Computer GmbH
	Address: HARKORT STR. 21-23, 40880 RATINGEN, GERMANY

**English** ASUSTeK Computer Inc. hereby declares that this device is in compliance with the essential requirements and other relevant provisions of related Directives. Full text of EU declaration of conformity available at: [www.asus.com/support](http://www.asus.com/support)

**Français** ASUSTeK Computer Inc. déclare par la présente que cet appareil est conforme aux critères essentiels et autres clauses pertinentes des directives concernées. La déclaration de conformité de l'UE peut être téléchargée à partir du site Internet suivant : [www.asus.com/support](http://www.asus.com/support).

**Deutsch** ASUSTeK Computer Inc. erklärt hiermit, dass dieses Gerät mit den wesentlichen Anforderungen und anderen relevanten Bestimmungen der zugehörigen Richtlinien übereinstimmt. Der gesamte Text der EU-Konformitätserklärung ist verfügbar unter: [www.asus.com/support](http://www.asus.com/support)

**Italiano** ASUSTeK Computer Inc. con la presente dichiara che questo dispositivo è conforme ai requisiti essenziali e alle altre disposizioni pertinenti con le direttive correlate. Il testo completo della dichiarazione di conformità UE è disponibile all'indirizzo: [www.asus.com/support](http://www.asus.com/support)

**Русский** Компания ASUS заявляет, что это устройство соответствует основным требованиям и другим соответствующим условиям соответствующих директив. Подробную информацию, пожалуйста, смотрите на [www.asus.com/support](http://www.asus.com/support)

**Български** С настоящото ASUSTeK Computer Inc. декларира, че това устройство е в съответствие със съществените изисквания и другите приложими постановления на свързаните директиви. Пълният текст на декларацията за съответствие на EC е достъпна на адрес: [www.asus.com/support](http://www.asus.com/support)

**Hrvatski** ASUSTeK Computer Inc. ovim izjavljuje da je ovaj uređaj sukladan s bitnim zahtjevima i ostalim odgovarajućim odredbama vezanih direktiva. Cijeli tekst EU izjave o sukladnosti dostupan je na: [www.asus.com/support](http://www.asus.com/support)

**Čeština** Společnost ASUSTeK Computer Inc. tímto prohlašuje, že toto zařízení splňuje základní požadavky a další příslušná ustanovení souvisejících směrnic. Plné znění prohlášení o shodě EU je k dispozici na adrese: [www.asus.com/support](http://www.asus.com/support)

**Dansk** ASUSTeK Computer Inc. erklærer hermed, at denne enhed er i overensstemmelse med hovedkravene og andre relevante bestemmelser i de relaterede direktiver. Hele EU-overensstemmelseserklæringen kan findes på: [www.asus.com/support](http://www.asus.com/support)

**Nederlands** ASUSTeK Computer Inc. verklaart hierbij dat dit apparaat voldoet aan de essentiële vereisten en andere relevante bepalingen van de verwante richtlijnen. De volledige tekst van de EU-verklaring van conformiteit is beschikbaar op: [www.asus.com/support](http://www.asus.com/support)

**Eesti** Käesolevaga kinnitab ASUSTeK Computer Inc. et see seade vastab asjakohaste direktiivide olulistele nõuetele ja teistele asjassepuutuvatele sätetele. EL vastusdeklaratsiooni täielik tekst on saadaval järgmisel aadressil: [www.asus.com/support](http://www.asus.com/support)

**Suomi** ASUSTeK Computer Inc. ilmoittaa täten, että tämä laite on asiaankuuluvien direktiivien olennaisien vaatimusten ja muiden tätä koskevien säädösten mukainen. EU-yhdenmukaisuusilmoituksen koko teksti on luettavissa osoitteessa: [www.asus.com/support](http://www.asus.com/support)

**Ελληνικά** Με το παρόν, η ASUSTeK Computer Inc. δηλώνει ότι αυτή η συσκευή συμμορφώνεται με τις θεμελιώδεις απαιτήσεις και άλλες σχετικές διατάξεις των Οδηγιών της ΕΕ. Το πλήρες κείμενο της δήλωσης συμβατότητας είναι διαθέσιμο στη διεύθυνση: [www.asus.com/support](http://www.asus.com/support)

**Magyar** Az ASUSTeK Computer Inc. ezennel kijelenti, hogy ez az eszköz megfelel a kapcsolódó irányelvek lényeges követelményeinek és egyéb vonatkozó rendelkezéseinek. Az EU megfeleléségi nyilatkozat teljes szövege innen letölthető: [www.asus.com/support](http://www.asus.com/support)