

Dell™ C3760n/C3760dn Color
Laser Printer
User's Guide

Regulatory Model: C3760dn/C3760n



Contents

Before Beginning	15
A Notes, Cautions, and Warnings	17
1 Dell™ C3760n/C3760dn Color Laser Printer User's Guide	19
Conventions.	19
2 Finding Information	21
3 Product Features	25
4 About the Printer	27
Front and Rear View	27
Front View	27
Rear View	28
Space Requirements	29
Operator Panel	29
Additional Components.	30
Optional Accessories	30
Non-bundled Items	30
Securing the Printer	30
Ordering Supplies	31
Setting up the Printer (Printer Setup)	33
5 Preparing Printer Hardware	35
Removing Tape	35

6	Installing Optional Accessories	37
	Installing the Optional Memory Module	37
	Updating Your Driver to Detect Memory Module	39
	Installing the Optional 550-Sheet Feeder	42
	Updating Your Driver to Detect 550-Sheet Feeder.	44
	Installing the Optional Wireless Adapter	47
	Verifying the Contents of the Box	48
	Installing the Wireless Adapter Using Video Instructions (Recommended)	48
	Installing the Optional Wireless Adapter	49
	Determining the Wireless Network Settings	50
	Configuring the Optional Wireless Adapter	51
	Using Wizard Setup to Configure a Wireless Adapter	51
	Using Advanced Setup to Configure a Wireless Adapter.	53
	Reconfiguring the Wireless Setting	57
	Installing the Optional Hard Disk	58
	Updating Your Driver to Detect Hard Disk	60
7	Connecting Your Printer	65
	Connecting Printer to Computer or Network	66
	Direct Connection	66
	Network Connection.	67
	Turning on the Printer	68
	Setting Initial Settings on the Operator Panel	68
8	Setting the IP Address	71
	Assigning an IP Address	71
	When Using the Easy Setup Navigator	71
	When Using the Operator Panel.	71
	When Using the Tool Box	72
	Verifying the IP Settings	73
	Verifying the Settings Using Operator Panel	73
	Verifying the Settings Using Printer Settings Report	73
	Verifying the Settings Using Ping Command	73

9	Loading Paper	75
10	Installing Printer Drivers on Windows® Computers	79
	Identifying Printer Driver Pre-install Status	79
	Changing the firewall settings before installing your printer.	79
	Inserting the Software and Documentation Disc	79
	Direct Connection Setup	80
	Network Connection Setup	82
	Network Printer Setup on a Local Network.	82
	Network Printer Setup on a Remote Network	86
	Setting Up for Shared Printing	91
	Specifying the Shared Settings of the Printer	91
	Point and Print.	92
	Peer-to-Peer.	95
11	Installing Printer Drivers on Macintosh Computers	99
	Installing the Drivers and Software	99
	Adding a Printer on Mac OS X 10.5, 10.6, 10.7, or 10.8	99
	Adding a Printer on Mac OS X 10.4.11	100
	Adding a Printer on Mac OS X 10.3.9	101
	Configuring Settings.	103
12	Installing Printer Drivers on Linux Computers (CUPS)	105
	Operation on Red Hat Enterprise Linux 5/6 Desktop.	105
	Setup Overview	105
	Installing the Printer Driver	105
	Setting Up the Queue	105
	Setting the Default Queue.	106
	Specifying the Printing Options	107
	Uninstalling the Printer Driver.	107
	Operation on SUSE Linux Enterprise Desktop 10	108
	Setup Overview	108
	Installing the Printer Driver	108
	Setting Up the Queue	108
	Setting the Default Queue.	109
	Specifying the Printing Options	109
	Setting the Password for Authority as the Printer Administrator.	110

Uninstalling the Printer Driver	110
Operation on SUSE Linux Enterprise Desktop 11.	110
Setup Overview	110
Installing the Printer Driver	111
Setting Up the Queue	111
Setting the Default Queue	112
Specifying the Printing Options	112
Setting the Password for Authority as the Printer Administrator	113
Uninstalling the Printer Driver	113

Using Your Printer 115

13 Operator Panel 117

About the Operator Panel	117
Using the Number Pad	118
Number Pad Letters and Numbers	118
Changing Numbers or Names	118
Printing a Panel Settings Report	119
Changing the Language	119
When Using the Operator Panel.	119
When Using the Tool Box	119
Setting the Power Saver Timer Option	119

14 Dell™ Printer Configuration Web Tool 121

Overview	121
Setting Up the Dell Printer Configuration Web Tool	122
Setting Up From Web Browser	122
Setting Up From Operator Panel.	123
Starting the Dell Printer Configuration Web Tool	124
Overview of the Menu Items	124
Printer Status	124
Printer Jobs	124
Printer Settings	124
Print Server Settings.	124
Copy Printer Settings	125
Print Volume	125

Printer Information	125
Tray Settings.	125
E-Mail Alert	125
Set Password	125
Online Help	125
Order Supplies at:	125
Contact Dell Support at:	125
Page Display Format	126
Top Frame	126
Left Frame	127
Right Frame	128
Changing the Settings of the Menu Items	128
Details of the Menu Items.	128
Printer Status	130
Printer Jobs	131
Printer Settings	132
Print Server Settings	146
Copy Printer Settings	167
Print Volume	168
Tray Settings.	169

15 Understanding the Tool Box Menus 171

Starting the Tool Box	171
Printer Setting Reports	171
Printer Information	171
Menu Settings.	172
Reports	173
TCP/IP Settings	174
Tray Settings.	174
Panel Language	175
USB Direct Print Defaults	175
Printer Maintenance	176
System Settings	176
Maintenance	179
Tray Settings.	180
Panel Language	183
TCP/IP Settings	183
Network Settings	184
USB Direct Print Defaults	184
Diagnosis	185

Chart Print	185
Environment Sensor Info	185
Resetting Defaults	185
When Using the Tool Box	186
16 Understanding the Printer Menus	187
Report / List	187
Printer Settings	187
Panel Settings	187
PCL Fonts List	187
PCL Macros List	187
PS Fonts List	187
PDF Fonts List	187
Job History	187
Error History	188
Print Meter	188
Color Test Page	188
Stored Documents	188
Printing a Report/List Using the Operator Panel	188
Printing a Report/List Using the Tool Box	188
Admin Settings	188
PCL	188
PDF	194
PostScript	196
Network	197
USB Settings	201
System Settings	202
Maintenance	210
Secure Settings	215
Defaults Settings	216
USB Direct Print Defaults	216
Tray Settings	216
MPF	216
Tray 1	218
Tray 2	219
Tray Priority	220
Panel Language	220
Print Menu	221
Secure Print	221
Private Mail Box	221

Public Mail Box	222
Proof Print	223
USB Direct Print	223
Panel Lock	226
Enabling the Panel Lock	226
Disabling the Panel Lock	226
Resetting Defaults	227
When Using the Operator Panel	227
17 Print Media Guidelines	229
Paper	229
Paper Characteristics	229
Recommended Paper	230
Unacceptable Paper	230
Selecting Paper	230
Selecting Pre-Printed Media and Letterheads	231
Selecting Pre-Punched Paper	231
Envelopes	231
Labels	232
Storing Print Media	233
Identifying Print Media and Specifications	233
Supported Paper Sizes	233
Supported Paper Types	234
Paper Type Specifications	234
18 Loading Print Media	235
Capacity	235
Print Media Dimensions	235
Loading Print Media in Tray1 and the Optional 550-Sheet Feeder	235
Loading Letterhead (Pre-Printed and Pre-Punched Paper)	235
Loading Print Media in the MPF	237
Loading an Envelope in the MPF	239
Envelope #10, Monarch, or DL	239
C5	240
Using the MPF	240

Linking Trays	240
Printing	241
19 Printing	243
Tips for Successful Printing	243
Tips on Storing Print Media	243
Avoiding Paper Jams	243
Sending a Job to Print	243
Canceling a Print Job	244
Canceling a Job From the Operator Panel	244
Canceling a Job From a Computer Running Windows	244
Duplex Printing	245
Duplex Printing With Duplex Unit (Dell C3760dn Color Laser Printer Only)	245
Duplex Printing Without Duplex Unit (Dell C3760n Color Laser Printer Only)	245
Using Booklet Print (Dell C3760n and Dell C3760dn Models)	246
Using the Stored Print Feature	247
Overview	248
Procedures for Printing Stored Print	249
Printing from USB Memory	250
Supported File Formats	251
Inserting and Removing a USB Memory	251
Printing a File in a USB Memory	251
Printing With Web Services on Devices (WSD)	252
Adding Roles of Printer Services	252
Printer Setup	253
Installing a Printer Driver Using the Add Printer Wizard	253
Printing With AirPrint	254
Setting Up AirPrint on Your Printer	254
Printing via AirPrint	254
Printing With Google Cloud Print™	254
Preparing to Use the Printer with Google Cloud Print	254
Registering the Printer to Your Google Account	255
Printing via Google Cloud Print	255
Printing a Report Page	256
Printer Settings	256

Using the Operator Panel to Change the Printer Settings	256
Using the Dell Printer Configuration Web Tool to Change the Printer Settings	256

Know Your Printer 259

20 Understanding Your Printer Software 261

Printer Utility Software.	262
Status Window	262
Tool Box	262
Updater	263
Troubleshooting	263
Status Monitor Widget for Macintosh	263
Status Monitor Widget Feature	263
Before Installing the Status Monitor Widget	263
Installing the Status Monitor Widget	263
Opening and Closing the Status Monitor Widget	264
Printer Status Window	264
Order Window	265
Preferences	266
Status Monitor Console for Linux	267
Status Monitor Console Feature	267
Before Installing the Status Monitor Console.	267
Installing the Status Monitor Console.	267
Starting the Status Monitor Console	268
Printer Selection Window.	268
Printer Status Window	269
Dell Supplies Management System Window.	270
Service Tag Window	271
Settings Window	271

21 Printing Using ColorTrack (External Authentication). 273

ColorTrack Settings.	273
Dell ColorTrack	273
Authentication System	275
Kerberos Server.	275
LDAP Server.	276
LDAP Authentication	278
Setting the Printer Driver.	278
Dell ColorTrack Mode	279

Specify Group Name	279
Specify Job Owner	279
Job Owner Name	279
Password	279
22 Using Digital Certificates	281
Managing Certificates	281
Preparing to Manage Certificates	281
Importing a Digital Certificate	283
Setting a Digital Certificate	284
Confirming the Settings of a Digital Certificate	284
Deleting a Digital Certificate	285
Exporting a Digital Certificate	285
Setting the Features	286
Setting the Certificate in the IPsec Digital Signature Mode	286
Setting the SSL-use Server Certificate (HTTP/IPP)	287
Setting LDAP-SSL/TLS Communication	287
Setting Server Certificate Verification for LDAP-SSL/TLS Communication	287
Setting Client Certificate for LDAP-SSL/TLS Communication	288
Setting for Wireless LAN WPA-Enterprise (EAP-TLS)	288
Setting for Wireless LAN WPA-Enterprise (PEAPV0-MS-CHAPV2, EAP-TTLS PAP, EAP-TTLS CHAP)	289
Setting Client Certificate for IEEE 802.1x (EAP-TLS)	291
23 Understanding Fonts	293
Typefaces and Fonts	293
Weight and Style	293
Pitch and Point Size	293
Bitmapped and Scalable Fonts	294
Resident Fonts	295
Symbol Sets	299
Symbol Sets for PCL 5/PCL 6	299
24 Understanding Printer Messages	301
Error Codes	301

25 Specifications	307
Operating System Compatibility	307
Power Supply	307
Dimensions	307
Memory	307
Page Description Language (PDL)/Emulation, Operating System, and Interface	307
MIB Compatibility	308
Environment	308
Operation	308
Print Quality Guarantee	308
Storage	308
Altitude	308
Cables	309
Optional Wireless Adapter	309

Maintaining Your Printer 311

26 Maintaining Your Printer	313
Determining the Status of Supplies	313
Conserving Supplies	313
Ordering Supplies	313
Storing Print Media	314
Storing Consumables	314
Replacing the Toner Cartridges	315
Removing the Toner Cartridge	315
Installing a Toner Cartridge	316
Replacing the Drum Cartridges	317
Removing the Drum Cartridge	317
Installing a Drum Cartridge	319
Replacing the Fusing Unit	322
Removing the Fusing Unit	322
Installing a Fusing Unit	323

Replacing the Transfer Belt Unit, the 2nd Belt Transfer Roller (2nd BTR), and the Retard Roller	324
Removing the Transfer Belt Unit.	324
Installing a Transfer Belt Unit	327
Removing the 2nd BTR.	329
Installing a 2nd BTR	329
Removing the Retard Roller in Tray1.	330
Installing a Retard Roller in Tray1	331
Replacing the Waste Toner Box	332
Removing the Waste Toner Box	332
Installing a Waste Toner Box	333
Cleaning Inside the Printer	334
Cleaning the CTD Sensor	334
Cleaning the Raster Optical Scanner (ROS) Window	338
Adjusting Color Registration	342
Printing the Color Registration Chart	342
Determining Values	342
Entering Values	344
27 Removing Options	347
Removing the Optional Memory Module	347
Removing the Optional 550-Sheet Feeder	349
Removing the Optional Wireless Adapter	351
Removing the Optional Hard Disk	353
28 Clearing Jams	355
Avoiding Jams	355
Identifying the Location of Paper Jams	356
Clearing Paper Jams From the MPF	356
If error code: 050-112 appears:	356
If error code: 050-129 appears:	358
Clearing Paper Jams From Tray1	359
Clearing Paper Jams From the Fusing Unit	360
If error code: 050-111 appears:	360
If error code: 050-129 appears:	362
Clearing Paper Jams From the Optional 550-Sheet Feeder	366

Troubleshooting 369

29 Troubleshooting Guide 371

- Basic Printer Problems** 371
- Display Problems** 371
- Printing Problems** 371
- Print Quality Problems** 372
 - The output is too light 373
 - Toner smears or print comes off 374
 - Random spots/Blurred images 375
 - The entire output is blank 376
 - Streaks appear on the output 377
 - Part or the entire output is black 378
 - Pitched color dots 378
 - Vertical blanks 379
 - Ghosting 380
 - Light-induced fatigue 381
 - Fog 382
 - Bead-Carry-Out (BCO) 382
 - Jagged characters 383
 - Banding 383
 - Auger mark 384
 - Wrinkled/Stained paper 385
 - Damage on the leading edge of paper 385
- Jam/Alignment Problems** 386
 - The top and side margins are incorrect 386
 - Color registration is out of alignment 386
 - Images are skewed 387
 - Tray1/Optional 550-Sheet Feeder Misfeed Jam 388
 - MPF Misfeed Jam 389
 - Regi Jam (Exit Sensor On JAM) 390
 - Exit Jam (Exit Sensor Off JAM) 390
 - Tray1/Optional 550-Sheet Feeder Multi-feed Jam 391
 - MPF Multi-feed Jam 391
- Noise** 391
- Digital Certificate Problem** 393
- Problems With Installed Optional Accessories** 395
- Other Problems** 395

Contacting Service	395
Appendix	397
B Appendix	399
Dell™ Technical Support Policy	399
Online Services	399
Warranty and Return Policy	400
Recycling Information	400
Contacting Dell	400
Index	401

Before Beginning

- Notes, Cautions, and Warnings 17
- 1 Dell™ C3760n/C3760dn Color Laser Printer User's Guide 19
- 2 Finding Information 21
- 3 Product Features 25
- 4 About the Printer 27

Notes, Cautions, and Warnings



NOTE: A NOTE indicates important information that helps you make better use of your printer.



CAUTION: A CAUTION indicates potential damage to hardware or loss of data if instructions are not followed.



WARNING: A WARNING indicates a potential for property damage, personal injury, or death.

Information in this document is subject to change without notice.

© 2012 Dell Inc. All rights reserved.

Reproduction of these materials in any manner whatsoever without the written permission of Dell Inc. is strictly forbidden.

Trademarks used in this text: *Dell* and the *DELL* logo are trademarks of Dell Inc.; *Microsoft*, *Windows*, *Windows Server*, *Windows Vista*, and *Active Directory* are either trademarks or registered trademarks of Microsoft Corporation in the United States and/or other countries; *Apple*, *Bonjour*, *iPad*, *iPhone*, *iPod touch*, *Macintosh*, *Mac OS*, and *TrueType* are trademarks of Apple Inc., registered in the U.S. and other countries. *AirPrint* and the *AirPrint* logo are trademarks of Apple Inc.; *Android*, *Google Chrome*, *Gmail*, *Google*, *Google Cloud Print*, and *Google Drive* are either registered trademarks or trademarks of Google Inc.; *Adobe* and *Photoshop* are either registered trademarks or trademarks of Adobe Systems Incorporated in the United States and/or other countries; *Wi-Fi* is a registered trademark of the Wi-Fi Alliance; *Wi-Fi Protected Setup*, *WPA*, and *WPA2* are trademarks of the Wi-Fi Alliance; *Red Hat* and *Red Hat Enterprise Linux* are registered trademarks of Red Hat, Inc. in the U.S. and other countries; *SUSE* is a registered trademark of Novell, Inc., in the United States and other countries.

XML Paper Specification (XPS): This product may incorporate intellectual property owned by Microsoft Corporation. The terms and conditions upon which Microsoft is licensing such intellectual property may be found at <http://go.microsoft.com/fwlink/?LinkId=52369>; *DES*: This product includes software developed by Eric Young (eay@mincom.oz.au); *AES*: Copyright (c) 2003, Dr Brian Gladman, Worcester, UK. All rights reserved. This product uses published AES software provided by Dr Brian Gladman under BSD licensing terms; *TIFF (libtiff)*: Copyright (c) 1988-1997 Sam Leffler and Copyright (c) 1991-1997 Silicon Graphics, Inc.; *ICC Profile (Little cms)*: Copyright (c) 1998-2004 Marti Maria.

Other trademarks and trade names may be used in this document to refer to either the entities claiming the marks and names or their products. Dell Inc. disclaims any proprietary interest in trademarks and trade names other than its own.

The printer software uses some of the codes defined by the Independent JPEG Group.

WSD stands for Web Services on Devices.

As for RSA BSAFE



This printer includes RSA BSAFE® Cryptographic software from EMC Corporation.

UNITED STATES GOVERNMENT RESTRICTED RIGHTS

This software and documentation are provided with RESTRICTED RIGHTS. Use, duplication or disclosure by the Government is subject to restrictions as set forth in subparagraph (c)(1)(ii) of the Rights in Technical Data and Computer Software clause at DFARS 252.227-7013 and in applicable FAR provisions: Dell Inc., One Dell Way, Round Rock, Texas, 78682, USA.

November 2012 Rev. A02

Dell™ C3760n/C3760dn Color Laser Printer User's Guide

Click the links to the left for information on the features, options, and operation of your Dell C3760n/C3760dn Color Laser Printer. For information on other documentation included with your Dell C3760n/C3760dn Color Laser Printer, see "Finding Information."

 **NOTE:** In this manual, Dell C3760n/C3760dn Color Laser Printer is referred to as the "printer."

Conventions

The following describe the meaning of the symbols and fonts used in this manual:

- | | | |
|----------------------------------------|---|--------------------------------------------------------------------------------------------------------------------------------------------------------------------------------------------------------------------------------------|
| Bold texts | : | <ul style="list-style-type: none"> • Names of hardware button on the operator panel. • Screen names on the LCD panel. • Menus, commands, windows, or dialog boxes displayed on the computer screen. |
| Texts in <code>Courier New</code> font | : | <ul style="list-style-type: none"> • Menus and messages displayed on the LCD panel. • Characters entered from the computer. • Directory paths. |
| < > | : | <ul style="list-style-type: none"> • Key on the keyboard of the computer. |
| → | : | <ul style="list-style-type: none"> • Indicates a path to a certain item within a procedure on a computer. |
| " " | : | <ul style="list-style-type: none"> • Cross references in this manual. • Characters entered from the operator panel. • Messages displayed on the computer screen. |

Finding Information

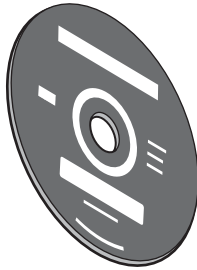
 **NOTE:** The images used in this manual are those of the Dell™ C3760dn Color Laser Printer unless otherwise mentioned.

What are you looking for?

- Drivers for my printer
- My *User's Guide*

Find it here

Software and Documentation disc

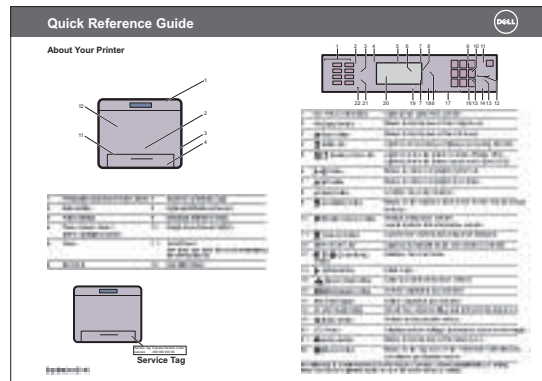



The *Software and Documentation* disc contains setup video, documentation, and drivers for your printer. You can use the *Software and Documentation* disc to install drivers or access your setup video and documentation.

Readme files may be included on your *Software and Documentation* disc to provide last-minute updates about technical changes to your printer or advanced technical reference material for experienced users or technicians.

-
- How to use my printer

Quick Reference Guide



 **NOTE:** *Quick Reference Guide* may not be included in the package for some regions.

What are you looking for?

- Safety information
- Warranty information

Find it here

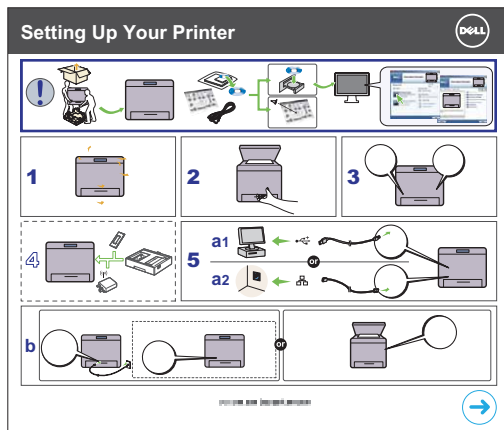
Product Information Guide



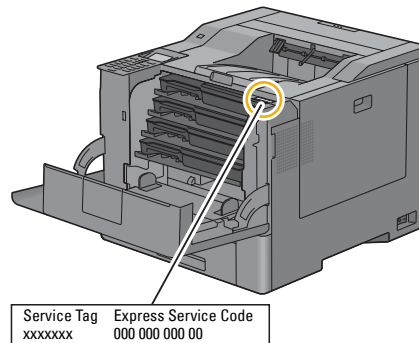
⚠ WARNING: Read and follow all safety instructions in the *Product Information Guide* prior to setting up and operating your printer.

-
- How to set up my printer

Setup diagram



-
- Express Service Code and Service Tag



The Express Service Code and Service Tag are located inside the front cover of your printer.

-
- Latest drivers for my printer
 - Documentation for my printer

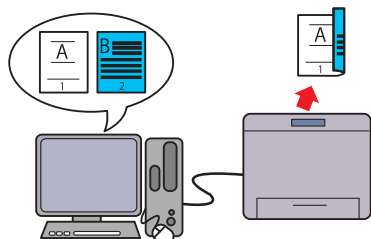
Go to support.dell.com.

What are you looking for?	Find it here
• Answers to technical service and support questions	<p data-bbox="641 258 1209 289">support.dell.com provides several online tools, including:</p> <ul data-bbox="673 300 1437 546" style="list-style-type: none"><li data-bbox="673 300 1437 357">• Solutions — Troubleshooting hints and tips, articles from technicians, and online courses<li data-bbox="673 367 1437 399">• Upgrades — Upgrade information for components, such as the printer drivers<li data-bbox="673 409 1437 466">• Customer Care — Contact information, order status, warranty, and repair information<li data-bbox="673 476 901 508">• Downloads — Drivers<li data-bbox="673 518 1274 546">• Manuals— Printer documentation and product specifications <p data-bbox="641 556 1437 613">Go to support.dell.com. Select your region, and fill in the requested details to access help tools and information.</p>

Product Features

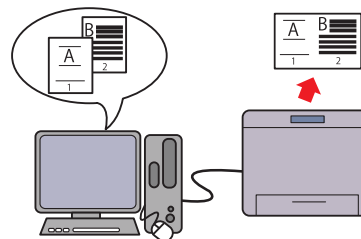
This chapter describes the product features and indicates their links.

Duplex Printing (Duplex Print)



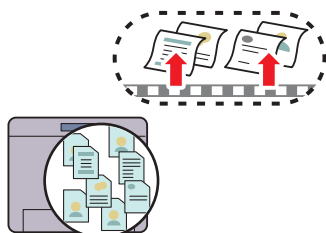
You can print two or more pages on both sides of a sheet of paper. For printers with the duplex unit, automatic duplex printing is available. Manual duplex printing is available for printers without the duplex unit.

Multiple Up in the Layout tab (N-up Print)



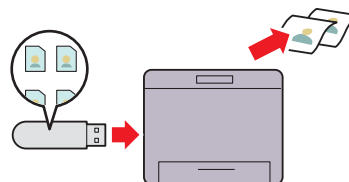
The Multiple Up feature enables you to print documents as reduced-size documents containing multiple pages on a single sheet of paper by setting from the printer driver. This feature helps save paper.

Using the Stored Print Feature (Stored Print)



The Stored Print feature allows you to temporarily store your print data in the printer memory or hard disk, so you can print it later. When printing confidential jobs, use the number pad to enter the password. You can effectively manage your time when you print confidential data or large-volume data at off-peak hours.

Printing from USB Memory (USB Direct Print)



The USB Direct Print feature enables you to print files directly from a USB memory without requiring you to start your computer and an application.

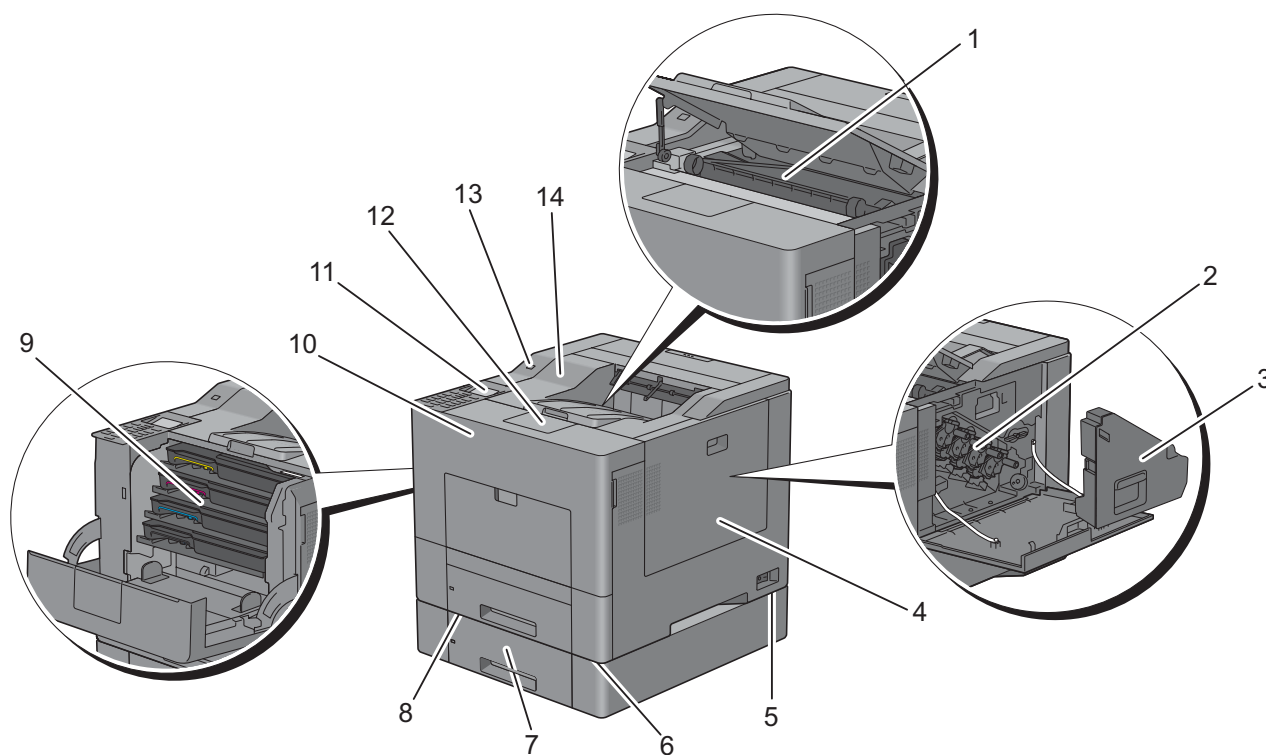
About the Printer

This chapter provides an overview of your Dell™ C3760n/C3760dn Color Laser Printer.

NOTE: The images used in this manual are those of the Dell C3760dn Color Laser Printer unless otherwise mentioned.

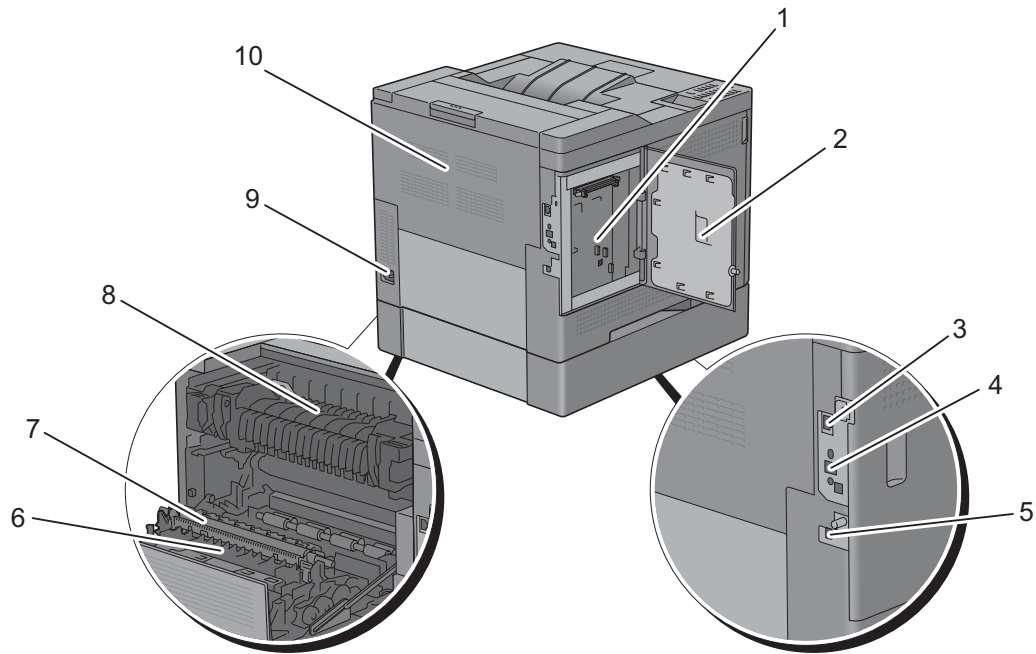
Front and Rear View

Front View



1	Transfer Belt Unit	8	Multipurpose Feeder (MPF)
2	Drum Cartridges	9	Toner Cartridges
3	Waste Toner Box	10	Front Cover
4	Right Side Cover	11	Operator Panel
5	Power Switch	12	Output Tray Extension
6	Tray1	13	Front USB Port
7	Optional 550-Sheet Feeder (Tray2)	14	Top Cover

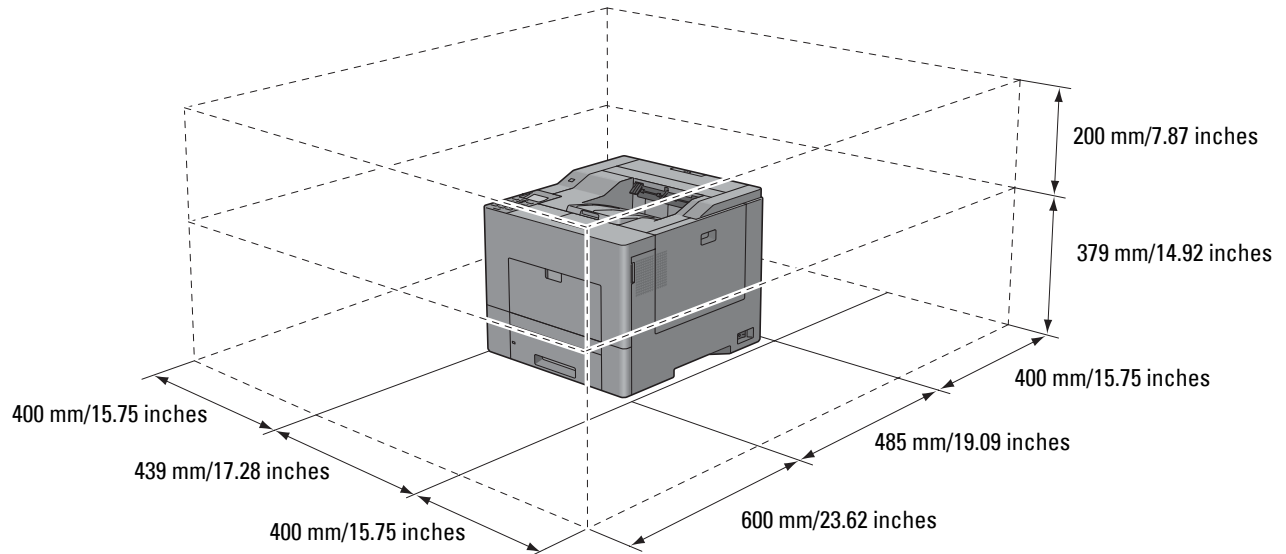
Rear View



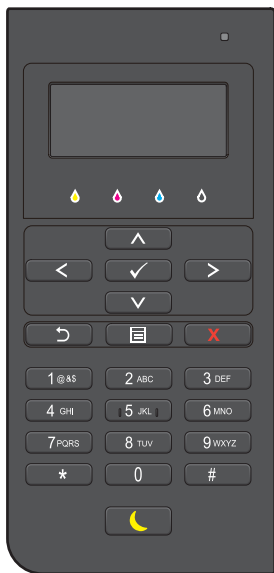
1	Control Board	6	Duplex Unit (C3760dn only)
2	Left Side Cover	7	2nd Belt Transfer Roller (2nd BTR)
3	Ethernet Port	8	Fusing Unit
4	Wireless Adapter Socket	9	Power Connector
5	USB Port	10	Rear Cover

Space Requirements

Provide enough room to open the printer trays, covers, and optional accessories, and for proper ventilation.



Operator Panel




For more information on the operator panel, see "About the Operator Panel."

Additional Components

Optional Accessories

The following optional accessories are available for the printer.

 **NOTE:** Each accessory can be purchased separately except for the wireless adapter and the hard disk, which can only be purchased together as a bundled kit.

- Wireless adapter
- 512MB memory module
- Hard disk
- Optional 550-sheet feeder

Non-bundled Items

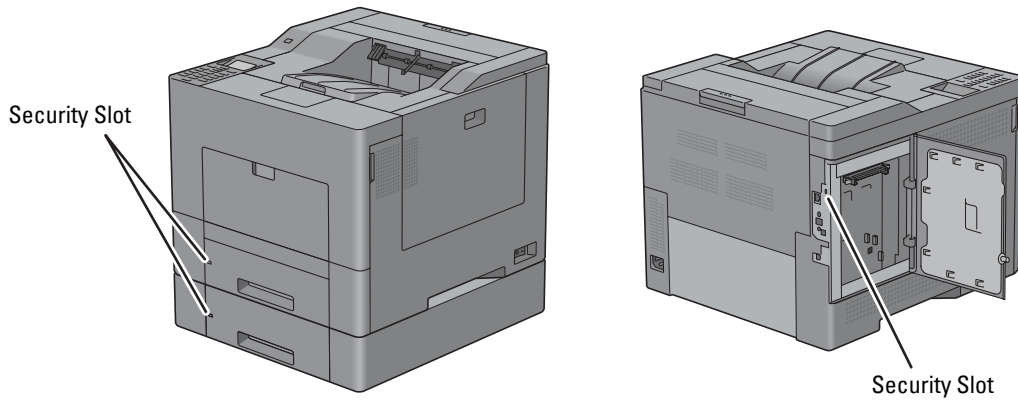
The following items are required for connecting the printer to a computer or a network. Please purchase them as needed.

- USB cable
- Ethernet cable

Securing the Printer

To protect your printer from theft, you can use the optional Kensington lock.

Attach the Kensington lock to the security slot on your printer.




For details, see the operating instructions supplied with the Kensington lock.

Ordering Supplies

You can order consumables from Dell online when using a networked printer. Enter the IP address of your printer in your web browser, launch the **Dell Printer Configuration Web Tool**, and click the web address under **Order Supplies at**: to order toner or supplies for your printer.

You can also order replacement toner cartridges or supplies from Dell by using the **Dell Supplies Management System**:

 **NOTE:** For Macintosh, start the Status Monitor Widget, and then select **Order Supplies** button to open **Order** window.

- 1 Double-click the icon on your desktop.



If you cannot find the icon on your desktop:

- a Right-click **DLRMM.EXE** under `x:\abc\Dell Printers\Additional Color Laser Software\Reorder`, where `x:\abc` is the location where the printer software is installed.
- b Choose **Send To** from the drop-down menu, and then click **Desktop (create shortcut)** on the submenu.

The **Dell Supplies Management System** window appears.

You can also launch the Dell Supplies Management System by clicking **Start** → **All Programs** → **Dell Printers** → **Additional Color Laser Software** → **Dell Supplies Management System**.

- 2 Click the **Visit Dell printer supplies ordering web site link** (www.dell.com/supplies), or order Dell printer supplies by phone.

To ensure that you get the best service, have your Dell printer's Service Tag ready.

For information regarding locating your Service Tag, see "Express Service Code and Service Tag."

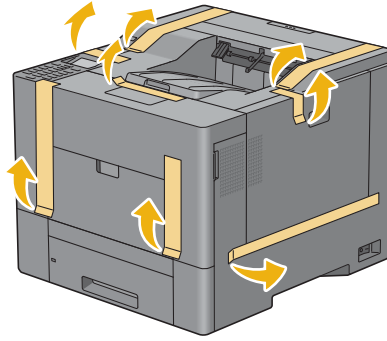
Setting up the Printer (Printer Setup)

5	Preparing Printer Hardware.....	35
6	Installing Optional Accessories.....	37
7	Connecting Your Printer	65
8	Setting the IP Address	71
9	Loading Paper.....	75
10	Installing Printer Drivers on Windows® Computers	79
11	Installing Printer Drivers on Macintosh Computers.....	99
12	Installing Printer Drivers on Linux Computers (CUPS)	105

Preparing Printer Hardware

Removing Tape

- 1 Remove tapes from the printer.



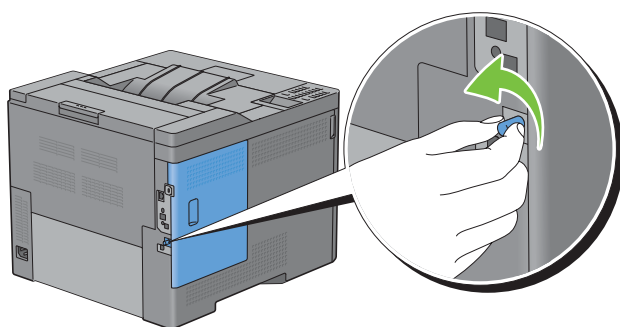
Installing Optional Accessories

You can make the printer more functional by installing the optional accessories. This chapter describes how to install the printer's options such as the 512 MB memory module, optional 550-sheet feeder (tray2), wireless adapter, and hard disk.

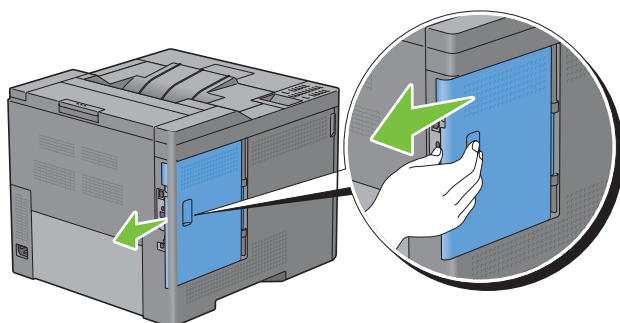
 **NOTE:** The images used in this manual are those of the Dell™ C3760dn Color Laser Printer unless otherwise mentioned.

Installing the Optional Memory Module

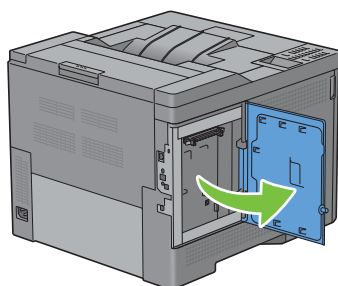
- 1 Ensure that the printer is turned off.
- 2 Turn the screw on the left side cover counterclockwise.



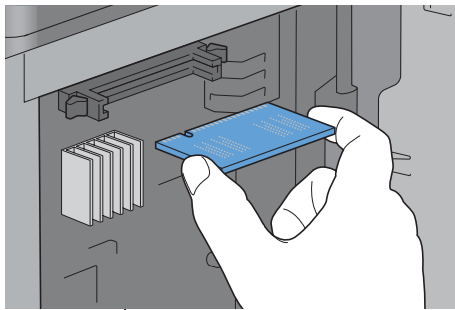
- 3 Slide the left side cover towards the back of the printer.



- 4 Open the left side cover completely.

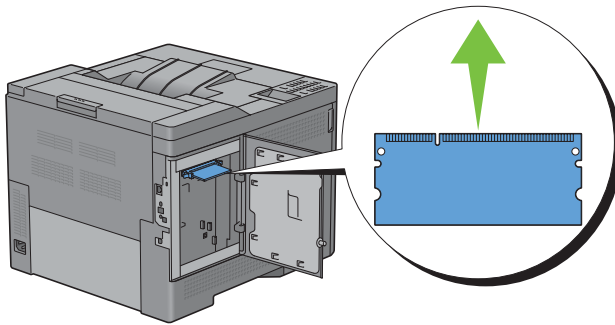


- 5 Hold the edge of the memory module and face its connector toward the slot with the notch on the connector positioned on left.

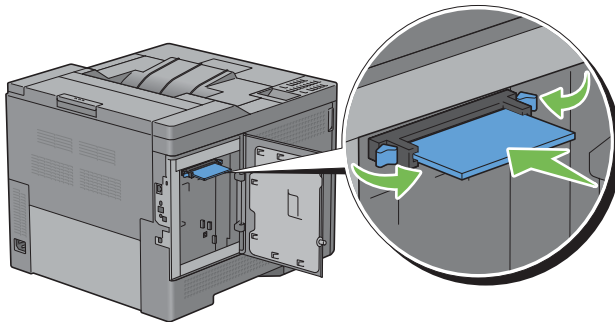



notch

- 6 Align the connector of the memory module with the slot and insert the memory module into the slot.

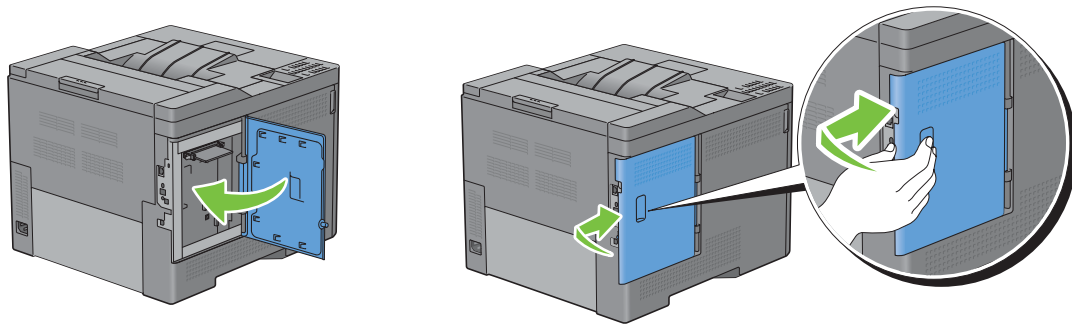


- 7 Push the memory module firmly into the slot.

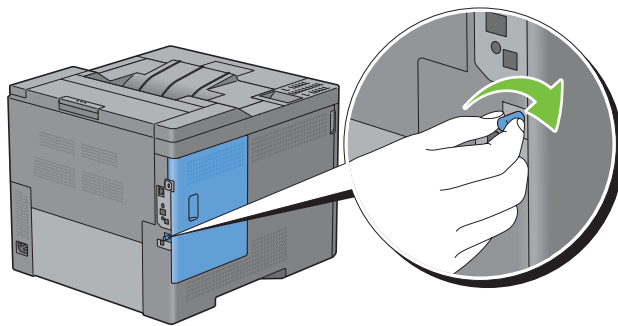


 **NOTE:** Ensure that the memory module is firmly fixed in the slot and does not move easily.

- 8 Close the left side cover, and then slide it towards the front of the printer.




- 9 Turn the screw clockwise.



- 10 Turn on the printer.
- 11 Print the printer settings report to confirm that the newly installed memory is detected by the printer.
For details about how to print a printer settings report, see "Report / List."
- 12 Confirm the amount of **Memory Capacity** listed in the printer settings report under **General**.
If the memory capacity has not increased, turn off the printer, unplug the power cable, and re-install the memory module.
- 13 If you installed the optional memory module after installing the printer driver, update your driver by following the instructions for the operating system you are using. If the printer is on a network, update the driver for each client.

Updating Your Driver to Detect Memory Module

 **NOTE:** When you use XPS driver, driver updating is not required.

When Using PCL Driver

Microsoft® Windows® 8/
Windows 8 x64/
Windows Server® 2012

- 1 Under Desktop mode, right-click the bottom left corner of the screen, and then click **Control Panel** → **Hardware and Sound** (**Hardware for Windows Server 2012**) → **Devices and Printers**.
- 2 Right-click the printer icon of the Dell C3760n/C3760dn Color Laser Printer, and then select **Printer properties**.
- 3 Click the **Options** tab, and then select **Get Information from Printer**.
- 4 Click **Apply**, and then click **OK**.
- 5 Close the **Devices and Printers** dialog box.

Windows 7/ 7 x64/ Server 2008 R2 x64	<ol style="list-style-type: none"> 1 Click Start → Devices and Printers. 2 Right-click the printer icon of the Dell C3760n/C3760dn Color Laser Printer, and then select Printer properties. 3 Click the Options tab, and then select Get Information from Printer. 4 Click Apply, and then click OK. 5 Close the Devices and Printers dialog box.
Windows Vista®/Vista x64	<ol style="list-style-type: none"> 1 Click Start → Control Panel → Hardware and Sound → Printers. 2 Right-click the printer icon of the Dell C3760n/C3760dn Color Laser Printer, and then select Properties. 3 Click the Options tab, and then select Get Information from Printer. 4 Click Apply, and then click OK. 5 Close the Printers dialog box.
Windows Server 2008/ Server 2008 x64	<ol style="list-style-type: none"> 1 Click Start → Control Panel → Printers. 2 Right-click the printer icon of the Dell C3760n/C3760dn Color Laser Printer, and then select Properties. 3 Click the Options tab, and then select Get Information from Printer. 4 Click Apply, and then click OK. 5 Close the Printers dialog box.
Windows XP/XP x64/ Server 2003/ Server 2003 x64	<ol style="list-style-type: none"> 1 Click start → Printers and Faxes. 2 Right-click the printer icon of the Dell C3760n/C3760dn Color Laser Printer, and then select Properties. 3 Click the Options tab, and then select Get Information from Printer. 4 Click Apply, and then click OK. 5 Close the Printers and Faxes dialog box.

If the printer information is not updated automatically after clicking **Get Information from Printer**, follow these steps:

- 1 Click the **Options** tab, and then select **Memory Capacity** in the **Items** list box.
- 2 Select the total amount of the installed printer memory in the **Memory Capacity** drop-down menu in **Change Setting for**.
- 3 Click **Apply**, and then click **OK**.
- 4 Close the **Printers and Faxes (Printers, or Devices and Printers)** dialog box.

When Using PS Driver

Windows 8/ Windows 8 x64/ Windows Server 2012	<ol style="list-style-type: none"> 1 Under Desktop mode, right-click the bottom left corner of the screen, and then click Control Panel → Hardware and Sound (Hardware for Windows Server 2012) → Devices and Printers. 2 Right-click the printer icon of the Dell C3760n/C3760dn Color Laser Printer, and then select Printer properties. 3 Click the Configuration tab, and then select Bi-Directional Setup. 4 Select Get Information from Printer and then click OK. 5 Click Apply, and then click OK. 6 Close the Devices and Printers dialog box.
-----------------------------------------------------	--------------------------------------------------------------------------------------------------------------------------------------------------------------------------------------------------------------------------------------------------------------------------------------------------------------------------------------------------------------------------------------------------------------------------------------------------------------------------------------------------------------------------------------------------------------------------------------------------------------------------------------------------------------------------------------------------

Windows 7/ 7 x64/ Server 2008 R2 x64	<ol style="list-style-type: none"> 1 Click Start → Devices and Printers. 2 Right-click the printer icon of the Dell C3760n/C3760dn Color Laser Printer, and then select Printer properties. 3 Click the Configuration tab, and then select Bi-Directional Setup. 4 Select Get Information from Printer and then click OK. 5 Click Apply, and then click OK. 6 Close the Devices and Printers dialog box.
Windows Vista/Vista x64	<ol style="list-style-type: none"> 1 Click Start → Control Panel → Hardware and Sound → Printers. 2 Right-click the printer icon of the Dell C3760n/C3760dn Color Laser Printer, and then select Properties. 3 Click the Configuration tab, and then select Bi-Directional Setup. 4 Select Get Information from Printer and then click OK. 5 Click Apply, and then click OK. 6 Close the Printers dialog box.
Windows Server 2008/ Server 2008 x64	<ol style="list-style-type: none"> 1 Click Start → Control Panel → Printers. 2 Right-click the printer icon of the Dell C3760n/C3760dn Color Laser Printer, and then select Properties. 3 Click the Configuration tab, and then select Bi-Directional Setup. 4 Select Get Information from Printer and then click OK. 5 Click Apply, and then click OK. 6 Close the Printers dialog box.
Windows XP/XP x64/ Server 2003/ Server 2003 x64	<ol style="list-style-type: none"> 1 Click Start → Printers and Faxes. 2 Right-click the printer icon of the Dell C3760n/C3760dn Color Laser Printer, and then select Properties. 3 Click the Configuration tab, and then select Bi-Directional Setup. 4 Select Get Information from Printer and then click OK. 5 Click Apply, and then click OK. 6 Close the Printers and Faxes dialog box.
<p>If the printer information is not updated automatically after clicking Get Information from Printer, follow these steps:</p> <ol style="list-style-type: none"> 1 Click the Configuration tab, and then select Installable Options. 2 Select Memory Capacity in the Items list box. 3 Select the total amount of the installed printer memory in the Memory Capacity drop-down menu under Setting for. 4 Click OK. 5 Click Apply, and then click OK. 6 Close the Printers and Faxes (Printers, or Devices and Printers) dialog box. 	
Mac OS X® 10.7.x/10.8.x	<ol style="list-style-type: none"> 1 Select the Print & Scan in System Preferences. 2 Select the printer in Printers list, and click Options & Supplies. 3 Select Driver, select the options that have been installed on the printers, and then click OK.
Mac OS X 10.5.x/10.6.x	<ol style="list-style-type: none"> 1 Select the Print & Fax in System Preferences. 2 Select the printer in Printers list, and click Options & Supplies. 3 Select Driver, select the options that have been installed on the printers, and then click OK.

- 1 Select the printer from the **Printer List** screen in **Print Center** (or **Printer Setup Utility**).
- 2 Click **Printers** on the **Print Center** (or **Printer Setup Utility**) menu bar, and select **Show Info**.
- 3 Select **Installable Options**, and select the options that have been installed on the printer, and then click **Apply Changes**.

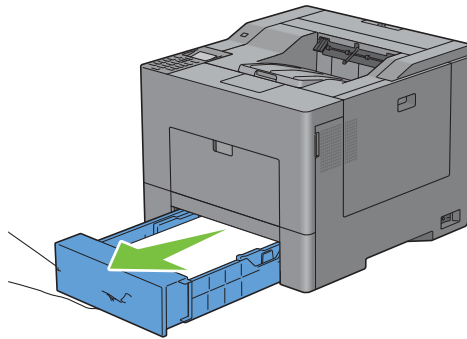
Installing the Optional 550-Sheet Feeder

⚠ WARNING: If you install the optional 550-sheet feeder after setting up the printer, be sure to turn off the printer, unplug the power cable, and disconnect all cables from the back of the printer before starting this task.

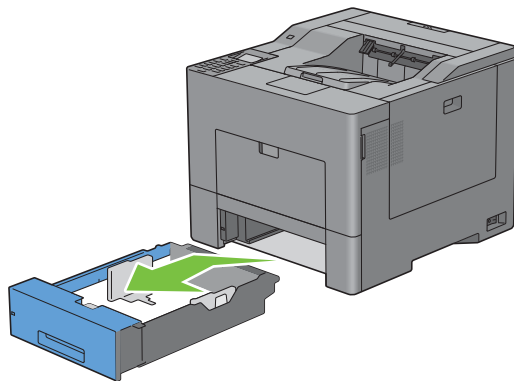
- 1 Ensure that the printer is turned off, and then disconnect all cables from the back of the printer.
- 2 Remove the tape and the bag holding the screws.

🔧 NOTE: Do not lose the screws because you will need them later.

- 3 Place the optional 550-sheet feeder in the same location that the printer is located.
- 4 Pull tray1 out of the printer about 200 mm.



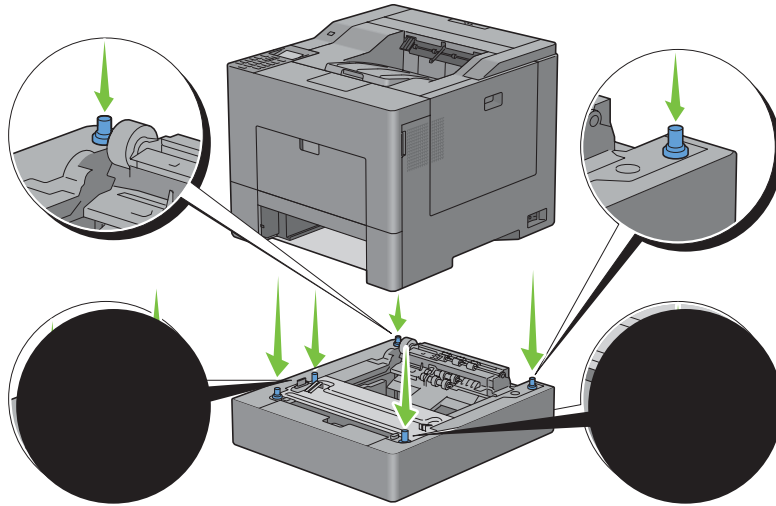
- 5 Hold tray1 with both hands, and remove it from the printer.



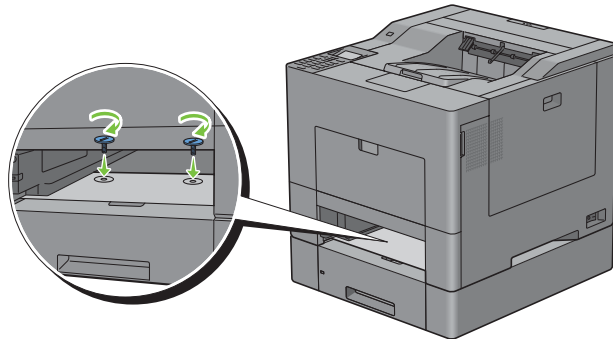
- 6 Lift the printer and align the five guide pins of the optional 550-sheet feeder with the holes at the bottom of the printer. Gently lower the printer onto the optional 550-sheet feeder.

 **WARNING: Two people are required to lift the printer.**

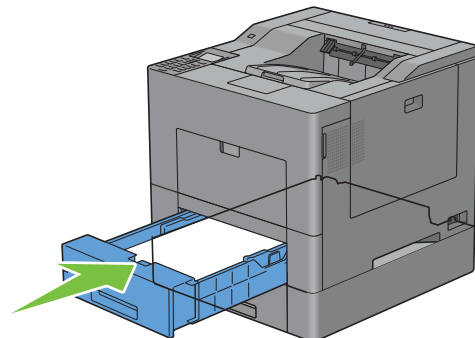
 **WARNING: Be careful not to pinch your fingers when lowering the printer onto the optional 550-sheet feeder.**




- 7 Secure the optional 550-sheet feeder to the printer by tightening the two screws provided with the feeder, using a coin or similar object.






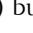
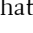
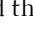
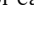



- 8 Insert tray1 into the printer, and push until it stops.



- 9 Re-connect all cables into the back of the printer, and turn on the printer.

 **NOTE:** The printer will automatically detect the attached tray but will not detect the paper type.

- 10** Print the printer settings report to confirm that the optional 550-sheet feeder is installed correctly.
For details about how to print a printer settings report, see "Report / List."
- 11** Confirm **Tray2 (550 Sheet Feeder)** is listed in the printer settings report under **Printer Options**.
If the feeder is not listed, turn off the printer, unplug the power cable, and re-install the optional 550-sheet feeder.
- 12** After loading paper in the optional 550-sheet feeder, specify the paper type from the operator panel.
 - a** Press the  (**Menu**) button.
 - b** Press the  button until **Tray Settings** is highlighted, and then press the  (**Set**) button.
 - c** Press the  button until **Tray 2** is highlighted, and then press the  (**Set**) button.
 - d** Press the  button until **Paper Type** is highlighted, and then press the  (**Set**) button.
 - e** Press the  button until the paper type for the optional 550-sheet feeder is displayed, and then press the  (**Set**) button.
 - f** Confirm that the selected paper type is highlighted, and then press the  (**Menu**) button.
- 13** If you installed the optional 550-sheet feeder after installing the printer driver, update your driver by following the instructions for each operating system. If the printer is on a network, update the driver for each client.

Updating Your Driver to Detect 550-Sheet Feeder

When Using PCL Driver

Windows 8/ Windows 8 x64/ Windows Server 2012	<ol style="list-style-type: none"> 1 Under Desktop mode, right-click the bottom left corner of the screen, and then click Control Panel → Hardware and Sound (Hardware for Windows Server 2012) → Devices and Printers. 2 Right-click the printer icon of the Dell C3760n/C3760dn Color Laser Printer, and then select Printer properties. 3 Click the Options tab, and then select Get Information from Printer. 4 Click Apply, and then click OK. 5 Close the Devices and Printers dialog box.
Windows 7/ 7 x64/ Server 2008 R2 x64	<ol style="list-style-type: none"> 1 Click Start → Devices and Printers. 2 Right-click the printer icon of the Dell C3760n/C3760dn Color Laser Printer, and then select Printer properties. 3 Click the Options tab, and then select Get Information from Printer. 4 Click Apply, and then click OK. 5 Close the Devices and Printers dialog box.
Windows Vista/Vista x64	<ol style="list-style-type: none"> 1 Click Start → Control Panel → Hardware and Sound → Printers. 2 Right-click the printer icon of the Dell C3760n/C3760dn Color Laser Printer, and then select Properties. 3 Click the Options tab, and then select Get Information from Printer. 4 Click Apply, and then click OK. 5 Close the Printers dialog box.
Windows Server 2008/ Server 2008 x64	<ol style="list-style-type: none"> 1 Click Start → Control Panel → Printers. 2 Right-click the printer icon of the Dell C3760n/C3760dn Color Laser Printer, and then select Properties. 3 Click the Options tab, and then select Get Information from Printer. 4 Click Apply, and then click OK. 5 Close the Printers dialog box.

Windows XP/XP x64/ Server 2003/ Server 2003 x64	<ol style="list-style-type: none"> 1 Click start → Printers and Faxes. 2 Right-click the printer icon of the Dell C3760n/C3760dn Color Laser Printer, and then select Properties. 3 Click the Options tab, and then select Get Information from Printer. 4 Click Apply, and then click OK. 5 Close the Printers and Faxes dialog box.
-------------------------------------------------------	-------------------------------------------------------------------------------------------------------------------------------------------------------------------------------------------------------------------------------------------------------------------------------------------------------------------------------------------------------------------------------------------------------------------------------------------------------------------------------------

If the printer information is not updated automatically after clicking **Get Information from Printer**, follow these steps:

- 1** Click the **Options** tab, and then select **Paper Tray Configuration** in the **Items** list box.
- 2** Select **Tray2** in the **Paper Tray Configuration** drop-down menu in **Change Setting for**.
- 3** Click **Apply**, and then click **OK**.
- 4** Close the **Printers and Faxes(Printers, or Devices and Printers)** dialog box.

When Using PS Driver

Windows 8/ Windows 8 x64/ Windows Server 2012	<ol style="list-style-type: none"> 1 Under Desktop mode, right-click the bottom left corner of the screen, and then click Control Panel → Hardware and Sound (Hardware for Windows Server 2012) → Devices and Printers. 2 Right-click the printer icon of the Dell C3760n/C3760dn Color Laser Printer, and then select Printer properties. 3 Click the Configuration tab, and then select Bi-Directional Setup. 4 Select Get Information from Printer and then click OK. 5 Click Apply, and then click OK. 6 Close the Devices and Printers dialog box.
Windows 7/ 7 x64/ Server 2008 R2 x64	<ol style="list-style-type: none"> 1 Click Start → Devices and Printers. 2 Right-click the printer icon of the Dell C3760n/C3760dn Color Laser Printer, and then select Printer properties. 3 Click the Configuration tab, and then select Bi-Directional Setup. 4 Select Get Information from Printer and then click OK. 5 Click Apply, and then click OK. 6 Close the Devices and Printers dialog box.
Windows Vista/Vista x64	<ol style="list-style-type: none"> 1 Click Start → Control Panel → Hardware and Sound → Printers. 2 Right-click the printer icon of the Dell C3760n/C3760dn Color Laser Printer, and then select Properties. 3 Click the Configuration tab, and then select Bi-Directional Setup. 4 Select Get Information from Printer and then click OK. 5 Click Apply, and then click OK. 6 Close the Printers dialog box.
Windows Server 2008/ Server 2008 x64	<ol style="list-style-type: none"> 1 Click Start → Control Panel → Printers. 2 Right-click the printer icon of the Dell C3760n/C3760dn Color Laser Printer, and then select Properties. 3 Click the Configuration tab, and then select Bi-Directional Setup. 4 Select Get Information from Printer and then click OK. 5 Click Apply, and then click OK. 6 Close the Printers dialog box.

Windows XP/XP x64/ Server 2003/ Server 2003 x64	<ol style="list-style-type: none"> 1 Click Start → Printers and Faxes. 2 Right-click the printer icon of the Dell C3760n/C3760dn Color Laser Printer, and then select Properties. 3 Click the Configuration tab, and then select Bi-Directional Setup. 4 Select Get Information from Printer and then click OK. 5 Click Apply, and then click OK. 6 Close the Printers and Faxes dialog box.
-------------------------------------------------------	--------------------------------------------------------------------------------------------------------------------------------------------------------------------------------------------------------------------------------------------------------------------------------------------------------------------------------------------------------------------------------------------------------------------------------------------------------------------------------------------------------------------------------

If the printer information is not updated automatically after clicking **Get Information from Printer**, follow these steps:

- 1 Click the **Configuration** tab, and then select **Installable Options**.
- 2 Select **Paper Tray Configuration** in the **Items** list box.
- 3 Select **Tray2** in the **Paper Tray Configuration** drop-down menu in **Setting for**.
- 4 Click **OK**.
- 5 Click **Apply**, and then click **OK**.
- 6 Close the **Printers and Faxes (Printers, or Devices and Printers)** dialog box.

Mac OS X 10.7.x/10.8.x	<ol style="list-style-type: none"> 1 Select the Print & Scan in System Preferences. 2 Select the printer in Printers list, and click Options & Supplies. 3 Select Driver, select the options that have been installed on the printers, and then click OK.
Mac OS X 10.5.x/10.6.x	<ol style="list-style-type: none"> 1 Select the Print & Fax in System Preferences. 2 Select the printer in Printers list, and click Options & Supplies. 3 Select Driver, select the options that have been installed on the printers, and then click OK.
Mac OS X 10.3.x/10.4.x	<ol style="list-style-type: none"> 1 Select the printer from the Printer List screen in Print Center (or Printer Setup Utility). 2 Click Printers on the Print Center (or Printer Setup Utility) menu bar, and select Show Info. 3 Select Installable Options, and select the options that have been installed on the printer, and then click Apply Changes.

When Using XPS Driver



NOTE: The XPS driver does not support Windows XP, XP x64, and Windows Server 2003.

Windows 8/ Windows 8 x64/ Windows Server 2012	<ol style="list-style-type: none"> 1 Under Desktop mode, right-click the bottom left corner of the screen, and then click Control Panel → Hardware and Sound (Hardware for Windows Server 2012) → Devices and Printers. 2 Right-click the printer icon of the Dell C3760n/C3760dn Color Laser Printer, and then select Printer properties. 3 Click the Device Setting tab, and then select Available in Tray2 drop-down menu. 4 Click Apply, and then click OK. 5 Close the Devices and Printers dialog box.
Windows 7/ 7 x64/ Server 2008 R2 x64	<ol style="list-style-type: none"> 1 Click Start → Devices and Printers. 2 Right-click the printer icon of the Dell C3760n/C3760dn Color Laser Printer, and then select Printer properties. 3 Click the Device Setting tab, and then select Available in Tray2 drop-down menu. 4 Click Apply, and then click OK. 5 Close the Devices and Printers dialog box.

Windows Vista/Vista x64	<ol style="list-style-type: none"> 1 Click Start → Control Panel → Hardware and Sound → Printers. 2 Right-click the printer icon of the Dell C3760n/C3760dn Color Laser Printer, and then select Properties. 3 Click the Device Setting tab, and then select Available in Tray2 drop-down menu. 4 Click Apply, and then click OK. 5 Close the Printers dialog box.
Windows Server 2008/ Server 2008 x64	<ol style="list-style-type: none"> 1 Click Start → Control Panel → Printers. 2 Right-click the printer icon of the Dell C3760n/C3760dn Color Laser Printer, and then select Properties. 3 Click the Device Setting tab, and then select Available in Tray2 drop-down menu. 4 Click Apply, and then click OK. 5 Close the Printers dialog box.

Installing the Optional Wireless Adapter

The wireless adapter allows you to use the printer with wireless network connection.

The specifications of the wireless adapter are described below.

Item	Specification
Connectivity Technology	Wireless
Compliant Standards	IEEE 802.11b, 802.11g, and 802.11n
Bandwidth	2.4 GHz
Data Transfer Rate	IEEE 802.11n: 65 Mbps IEEE 802.11g: 54, 48, 36, 24, 18, 12, 9, and 6 Mbps IEEE 802.11b: 11, 5.5, 2, and 1 Mbps
Security	64 (40-bit key)/128 (104-bit key) WEP, WPA-PSK (TKIP, AES), WPA2-PSK (AES), WPA-Enterprise (TKIP, AES) ^{*1*2} , WPA2-Enterprise (AES) ^{*1*2}
Wi-Fi Protected Setup [®] (WPS) ^{*3}	Push-Button Configuration (PBC), Personal Identification Number (PIN)

^{*1} This item is available only when the optional hard disk is installed.

^{*2} EAP method supports PEAPv0, EAP-TLS, EAP-TTLS PAP, and EAP-TTLS CHAP.

^{*3} WPS 2.0 compliant. WPS 2.0 works on access points with the following encryption types: Mixed mode PSK, WPA-PSK AES, WPA2-PSK AES, WPA-PSK TKIP, Open (No Security)

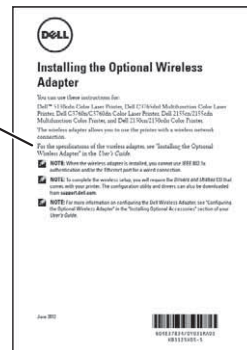
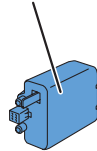



NOTE: When the wireless adapter is installed, you cannot use IEEE 802.1x authentication and/or the Ethernet port for a wired connection.

Verifying the Contents of the Box

Installing the Optional
Wireless Adapter

Wireless Adapter



 **NOTE:** To complete wireless installation, you require the corresponding *Software and Documentation* disc that comes with your printer, which can also be downloaded from support.dell.com.

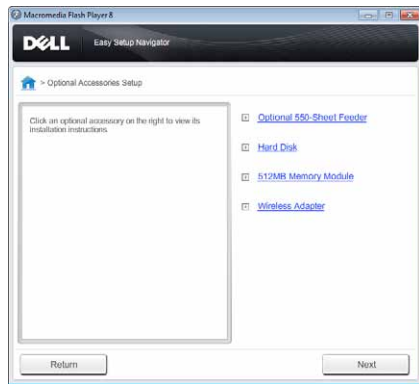
Installing the Wireless Adapter Using Video Instructions (Recommended)

To install the wireless adapter, perform the following method.

- 1 Insert the *Software and Documentation* disc in your computer. The *Easy Setup Navigator* file launches automatically.
- 2 Select **Optional Accessories Setup** on the *Easy Setup Navigator* window.




3 Click Wireless adapter.



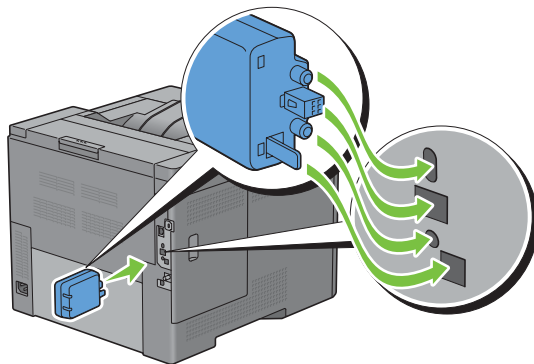
The instruction video starts.


Follow the on-screen instructions to configure wireless settings.

Installing the Optional Wireless Adapter


 **NOTE:** You can also install the wireless adapter by following the instructions described in *Installing the Optional Wireless Adapter* provided with the wireless adapter.

- 1 Ensure that the printer is turned off.
- 2 Align the connector and the three protrusions of the wireless adapter with the four holes and insert the adapter.



 **NOTE:** Ensure that the adapter is fully inserted and secured.

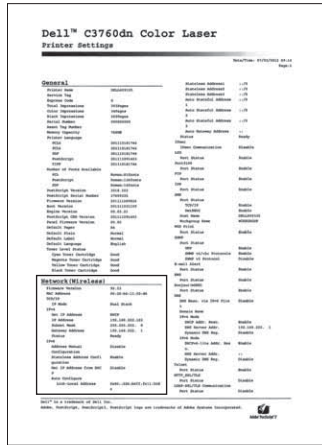
- 3 Turn on the printer.

 **NOTE:** If a message displays telling you to make initial setup on the LCD panel, always do as instructed.

- 4 Print the printer settings report to confirm that the wireless adapter is installed correctly.

For details about how to print a printer settings report, see "Report / List."

5 Confirm that the **Network (Wireless)** section exists.



6 Configure the wireless adapter to connect to a wireless network. For details, see "Configuring the Optional Wireless Adapter."

Determining the Wireless Network Settings

You need to know the settings for the wireless network to set up the wireless printer. For details of the settings, contact your network administrator.

Wireless Settings	SSID	Specifies the name that identifies the wireless network with up to 32 alphanumeric characters.
	Network Mode	Specifies the network mode from Ad-hoc or Infrastructure.
Security Settings	Security	Selects the encryption type from No Security, Mixed mode PSK*, WPA-PSK-TKIP, WPA2-PSK-AES, and WEP.
	Transmit Key	Specifies the transmit key from the list.
	WEP Key	Specifies the WEP key used through the wireless network only when WEP is selected as the encryption type.
	Pass Phrase	Specifies the pass phrase of alphanumeric characters from 8 to 63 bytes long only when Mixed mode PSK*, WPA-PSK-TKIP, or WPA2-PSK-AES is selected as the encryption type.

* Mixed mode PSK automatically selects an available encryption type from WPA-PSK-TKIP, WPA-PSK-AES, or WPA2-PSK-AES.

Configuring the Optional Wireless Adapter

This section describes how to configure a wireless adapter through Easy Setup Navigator.

You can select a method to configure a wireless adapter from the following:

Wizard Setup through USB Cable(recommended)	WPS-PBC ^{*1*3}
	WPS-PIN ^{*2*3}
Advanced Setup through	Operator Panel
	Ethernet Cable
	Dell Printer Configuration Web Tool

*1 WPS-PBC (Wi-Fi Protected Setup-Push Button Configuration) is a method to authenticate and register devices required for wireless configuration, by pressing the button provided on the access point via wireless routers, and then performing WPS-PBC setting on the operator panel. This setting is available only when the access point supports WPS.

*2 WPS-PIN (Wi-Fi Protected Setup-Personal Identification Number) is a method to authenticate and register devices required for wireless configuration, by entering PIN assignments in the printer and computer. This setting, performed through access point, is available only when the access points of your wireless router supports WPS.

*3 WPS 2.0 compliant. WPS 2.0 works on access points with the following encryption types: Mixed mode PSK, WPA-PSK AES, WPA2-PSK AES, WPA-PSK TKIP, Open (No Security)

NOTE: The optional wireless adapter must be installed on the printer. For information on how to install a wireless adapter, see "Installing the Optional Wireless Adapter."

NOTE: If the Panel Lock Control is set to Enable, you need to enter the four digit password to enter the Admin Settings menu.

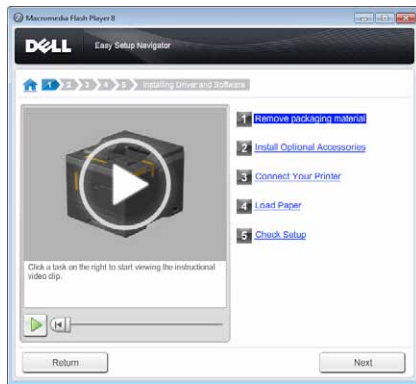
NOTE: For details about using WPA-Enterprise-AES, WPA2-Enterprise-AES, or WPA-Enterprise-TKIP, see "Using Digital Certificates."

Using Wizard Setup to Configure a Wireless Adapter

- 1 Insert the *Software and Documentation* disc provided with the printer in your computer. The **Easy Setup Navigator** file launches automatically.
- 2 Click **Start Setup**.



3 Click **Connect Your Printer**.



4 Click **Wireless Connection**.



5 Click **Wizard**.



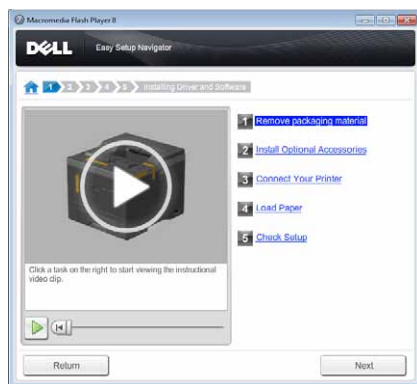
Follow the on-screen instructions to configure wireless settings.

Using Advanced Setup to Configure a Wireless Adapter

You can configure the wireless adapter with the following connection methods:

- WPS-PBC
- WPS-PIN
- Operator Panel
- Ethernet Cable
- Dell Printer Configuration Web Tool

- 1 Insert the *Software and Documentation* disc provided with the printer in your computer. The **Easy Setup Navigator** file launches automatically.
- 2 Click **Start Setup**.
- 3 Click **Connect Your Printer**.



- 4 Click **Wireless Connection**.



- 5 Select **Advanced**, and then select a connection method from **WPS-PBC**, **WPS-PIN**, **Operator Panel**, **Ethernet Cable**, or **Dell Printer Configuration Web Tool**.

For **Ethernet Cable**:


- a Select **Ethernet Cable**, and then click **Next**.

Follow the on-screen instructions to configure wireless settings, and then click **Next**.

The **Advanced Configuration Tool** starts.


- b Select the printer, and then click **Next**.

Wireless Network Settings screen appears.

 **NOTE:** If the printer is not listed, click **Enter IP Address** and enter the IP address of your printer, and then click **OK**.

- c Set the wireless network settings, and then click **Next**.

IP Address Settings screen appears.

 **NOTE:** For details on each item, see "Assigning an IP Address."

- d Set the IP address settings of the printer, and then click **Next**.

Confirm the settings screen appears.

- e Confirm the settings, and then click **Apply**.

Complete configuration screen appears.


- f Click **Next**.








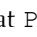
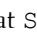
For **WPS-PBC**, **WPS-PIN**, **Operator Panel**, and **Dell Printer Configuration Web Tool**, follow the on-screen instructions to configure wireless settings.


To configure wireless settings without using the video instructions, see the following instructions.

WPS-PIN

The PIN code of WPS-PIN can only be configured from the operator panel.

 **NOTE:** WPS-PIN (Wi-Fi Protected Setup-Personal Identification Number) is a method to authenticate and register devices required for wireless configuration by entering PIN assignments to a printer and computer. This setting, performed through an access point, is available only when the access points of your wireless router supports WPS.


- 1 Press the  (**Menu**) button.
- 2 Press the  button until **Admin Settings** is highlighted, and then press the  (**Set**) button.
- 3 Press the  button until **Network** is highlighted, and then press the  (**Set**) button.
- 4 Press the  button until **WPS Setup** is highlighted, and then press the  (**Set**) button.
- 5 Ensure that **PIN Code** is highlighted, and then press the  (**Set**) button.
- 6 Write down the displayed 8-digit PIN code or select **Print PIN Code**. The PIN code is printed.
- 7 Ensure that **Start Configuration** is highlighted, and then press the  (**Set**) button.
- 8 Ensure that the message **Please wait WPS Setting** is displayed, and enter the PIN code displayed on step 6 into the wireless LAN access point (Registrar).


 **NOTE:** For WPS operation on the wireless LAN access point, refer to the manual supplied with the wireless LAN access point.








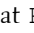
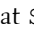
- 9 When the WPS operation is successful and the printer is rebooted, wireless LAN connection setting is completed.

WPS-PBC

You can start Push Button Control only from the operator panel.








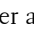
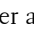

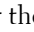
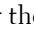
 **NOTE:** WPS-PBC (Wi-Fi Protected Setup-Push Button Configuration) is a method to authenticate and register devices required for wireless configuration by pressing the button provided on the access point via wireless routers, and then performing WPS-PBC setting on the operator panel. This setting is available only when the access point supports WPS.

 **NOTE:** Before starting WPS-PBC, confirm the position of the WPS button (button name may vary) on the wireless LAN access point. For information about WPS operation on the wireless LAN access point, refer to the manual supplied with the wireless LAN access point.



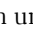

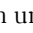

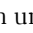

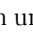
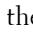
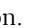
- 1 Press the  (Menu) button.
- 2 Press the  button until `Admin Settings` is highlighted, and then press the  (Set) button.
- 3 Press the  button until `Network` is highlighted, and then press the  (Set) button.
- 4 Press the  button until `WPS Setup` is highlighted, and then press the  (Set) button.
- 5 Ensure that `Push Button Control` is highlighted, and then press the  (Set) button.
- 6 Ensure that `Start` is highlighted, and then press the  (Set) button.
Ensure that the message `Please wait WPS Setting` is displayed, and start the WPS-PBC on the wireless LAN access point (Registrar) within two minutes.
- 7 When the WPS operation is successful and the printer is rebooted, wireless LAN connection setting is completed.

Operator Panel

Auto SSID Setup

- 1 Press the  (Menu) button.
- 2 Press the  button until `Admin Settings` is highlighted, and then press the  (Set) button.
- 3 Press the  button until `Network` is highlighted, and then press the  (Set) button.
- 4 Press the  button until `Wireless Setup` is highlighted, and then press the  (Set) button.
The printer automatically searches the access points on wireless network.
- 5 Press the  button until the desired access point is highlighted, and then press the  (Set) button.
If the desired access point does not appear, go to "Manual SSID Setup."
 **NOTE:** Some hidden SSID may not be displayed. If the SSID is not detected turn on SSID broadcast from the router.
- 6 Enter the WEP key or pass phrase.
When the encryption type of the selected access point is WEP in step 5:
 - Enter the WEP key, and then press the  (Set) button.When the encryption type of the selected access point is WPA, WPA2 or Mixed in step 5:
 - Enter the pass phrase, and then press the  (Set) button.
- 7 The **Restart System** screen appears.
- 8 Turn off the printer, and turn it on again to apply the settings.
Wireless LAN connection setting is complete.

Manual SSID Setup

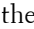
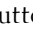
- 1** Press the  (Menu) button.
- 2** Press the  button until **Admin Settings** is highlighted, and then press the  (Set) button.
- 3** Press the  button until **Network** is highlighted, and then press the  (Set) button.
- 4** Press the  button until **Wireless Setup** is highlighted, and then press the  (Set) button.
- 5** Press the  button until **Manual Setup** is highlighted, and then press the  (Set) button.
- 6** Enter the SSID, and then press the  (Set) button.
- 7** Select the network mode from **Infrastructure** and **Ad-hoc** depending on your environment, and then press the  (Set) button.

If you select **Infrastructure**, proceed to step 8.

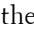

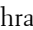
If you select **Ad-hoc**, proceed to step 9.

- 8** Select the encryption type from **No Security**, **Mixed mode PSK**, **WPA-PSK-TKIP**, **WPA2-PSK-AES**, or **WEP**.

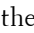
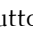

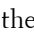

If you do not set security for your wireless network:

- Press the  button until **No Security** is highlighted, and then press the  (Set) button.

To use **Mixed mode PSK**, **WPA-PSK-TKIP**, or **WPA2-PSK-AES** encryption:

- a** Press the  button until **Mixed mode PSK**, **WPA-PSK-TKIP**, or **WPA2-PSK-AES** is highlighted, and then press the  (Set) button.
- b** Enter the pass phrase, and then press the  (Set) button.


To use **WEP** encryption:

- a** Press the  button until **WEP** is highlighted, and then press the  (Set) button.
- b** Enter the WEP key, and then press the  (Set) button.
- c** Press the  button to highlight the desired transmit key from **Auto** or **WEP Key 1** to **WEP Key 4**, and then press the  (Set) button.

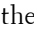

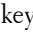
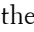
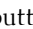
Proceed to step 10.

- 9** Select the encryption type from **No Security** or **WEP**.

If you do not set security for your wireless network:

- Ensure that **No Security** is highlighted, and then press the  (Set) button.


To use **WEP** encryption:


- a** Press the  button until **WEP** is highlighted, and then press the  (Set) button.
- b** Enter the WEP key, and then press the  (Set) button.
- c** Press the  button to highlight the desired transmit key from **WEP Key 1** to **WEP Key 4**, and then press the  (Set) button.

- 10** The **Restart System** screen appears.
- 11** Turn off the printer, and turn it on again to apply the settings.

Wireless LAN connection setting is complete.


Dell Printer Configuration Web Tool


 **NOTE:** For details about using WPA-Enterprise-AES, WPA2-Enterprise-AES, or WPA-Enterprise-TKIP, see "Using Digital Certificates."

- 1 Ensure that the printer is turned off and the wireless adapter is connected to the printer.
- 2 Connect the printer to the network with an Ethernet cable.
For details about how to connect the Ethernet cable, see "Connecting Printer to Computer or Network."
- 3 Turn on the printer.
- 4 Launch the **Dell Printer Configuration Web Tool** by entering the IP address of the printer in your web browser.
- 5 Click **Print Server Settings**.
- 6 Click **Print Server Settings** tab.
- 7 Click **Wireless LAN**.
- 8 Enter the SSID in the **SSID** text box.
- 9 Select **Ad-Hoc** or **Infrastructure** in the **Network Type** drop-down list box.
- 10 Select the encryption type from **No Security**, **WEP**, **WPA-PSK-TKIP**, **WPA-PSK-AES/WEP2-PSK AES**, and **Mixed Mode PSK** in the **Encryption** drop-down list box, and then set each item for the encryption type selected.
 **NOTE:** For details on each item, see "Dell™ Printer Configuration Web Tool."
- 11 Click **Apply New Settings** to apply the settings.
- 12 Turn off the printer, disconnect the Ethernet cable and turn it on again.
Wireless LAN connection setting is complete.

Reconfiguring the Wireless Setting

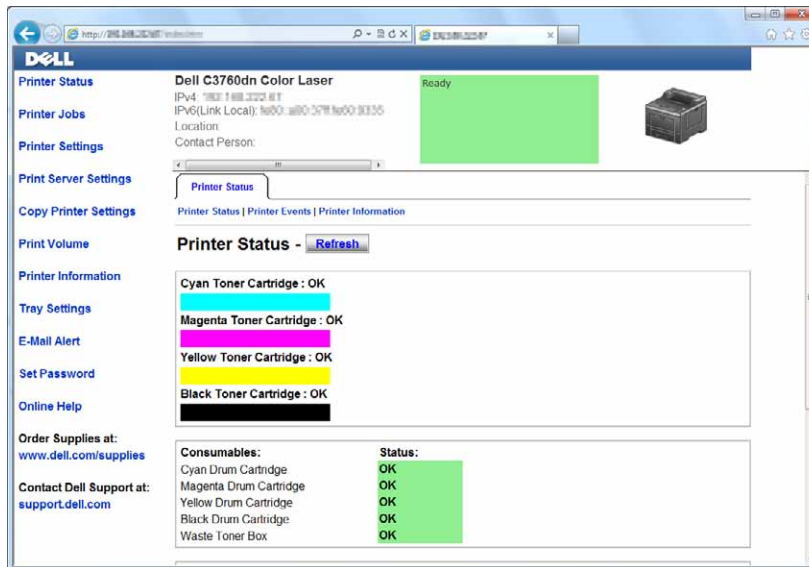
To change the wireless setting through an Ethernet or wireless connection from your computer, perform the following.

 **NOTE:** To change the wireless setting through wireless connection, ensure that the wireless connection setting is completed in "Configuring the Optional Wireless Adapter."


 **NOTE:** The following settings are available when the network mode is set to infrastructure in "Configuring the Optional Wireless Adapter."

- 1 Check the IP address of the printer.
For details about how to check the IP address of the printer, see "Verifying the IP Settings."

- 2 Launch the Dell Printer Configuration Web Tool by entering the IP address of the printer in your web browser.

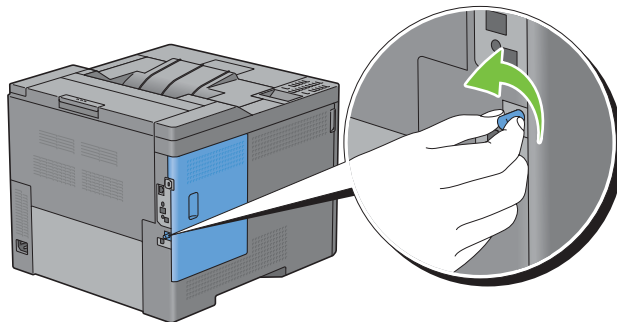


- 3 Click Print Server Settings.
- 4 Click Print Server Settings tab.
- 5 Click Wireless LAN.
- 6 Change the wireless setting of the printer.
- 7 Reboot the printer.
- 8 Change the wireless settings on your computer or access point accordingly.

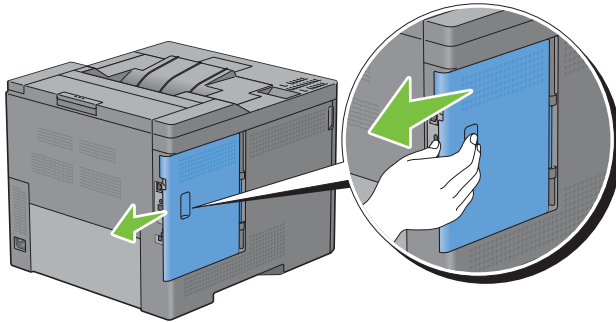
 **NOTE:** To change the wireless settings on your computer, refer to the manuals provided with the wireless adapter or if your computer provides a wireless adapter tool, change the wireless settings using that tool.

Installing the Optional Hard Disk

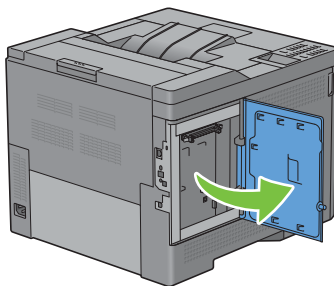
- 1 Ensure that the printer is turned off.
- 2 Turn the screw on the control board counterclockwise.



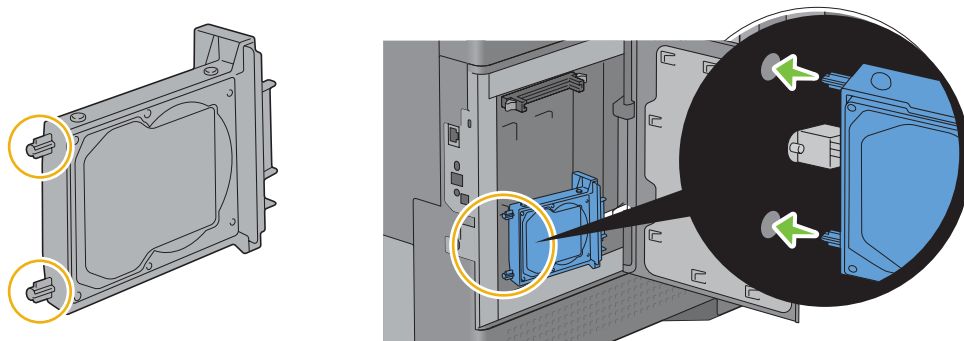
3 Slide the left side cover towards the back of the printer.



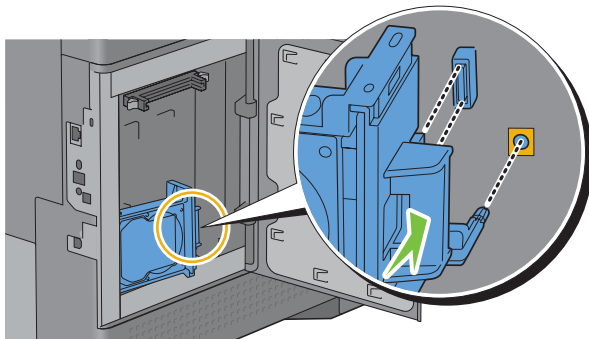
4 Open the left side cover completely.



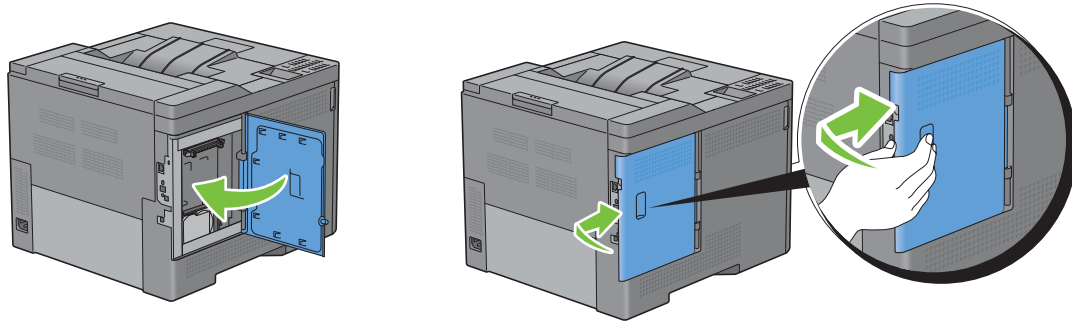
5 Insert the two plastic pins on the hard disk into the metal casing holes.



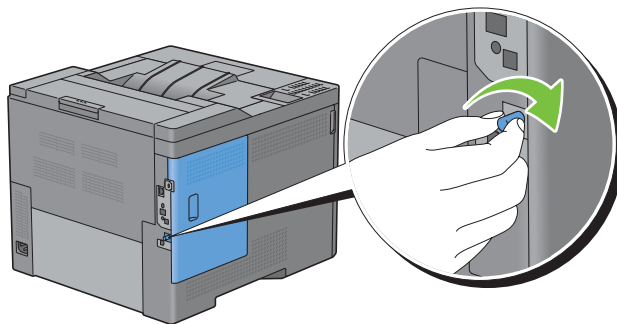
6 Attach the plastic pin and the connector to the control board, and push the hard disk firmly into place.



- 7 Close the left side cover, and then slide it towards the front of the printer.




- 8 Turn the screw clockwise.



- 9 Turn on the printer.
- 10 Print the printer settings report to confirm that the newly installed hard disk is detected by the printer.
For details about how to print a printer settings report, see "Report / List."
- 11 Confirm the amount of **Hard Disk** listed in the printer settings report under **Printer Options**.
If the hard disk is not listed, turn off the printer, unplug the power cable, and re-install the hard disk.
- 12 If you installed the hard disk after installing the printer driver, update your driver by following the instructions for the operating system you are using. If the printer is on a network, update the driver for each client.
Hard disk can be specified on the printer driver only when hard disk or RAM disk is available on the printer driver.

Updating Your Driver to Detect Hard Disk

 **NOTE:** When you use XPS driver, driver updating is not required.

When Using PCL Driver

Windows 8/
Windows 8 x64/
Windows Server 2012

- 1 Under Desktop mode, right-click the bottom left corner of the screen, and then click **Control Panel** → **Hardware and Sound** (**Hardware** for Windows Server 2012) → **Devices and Printers**.
- 2 Right-click the printer icon of the Dell C3760n/C3760dn Color Laser Printer, and then select **Printer properties**.
- 3 Click the **Options** tab, and then select **Get Information from Printer**.
- 4 Click **Apply**, and then click **OK**.
- 5 Close the **Devices and Printers** dialog box.

Windows 7/ 7 x64/ Server 2008 R2 x64	<ol style="list-style-type: none"> 1 Click Start → Devices and Printers. 2 Right-click the printer icon of the Dell C3760n/C3760dn Color Laser Printer, and then select Printer properties. 3 Click the Options tab, and then select Get Information from Printer. 4 Click Apply, and then click OK. 5 Close the Devices and Printers dialog box.
Windows Vista/ Vista x64	<ol style="list-style-type: none"> 1 Click Start → Control Panel → Hardware and Sound → Printers. 2 Right-click the printer icon of the Dell C3760n/C3760dn Color Laser Printer, and then select Properties. 3 Click the Options tab, and then select Get Information from Printer. 4 Click Apply, and then click OK. 5 Close the Printers dialog box.
Windows Server 2008/ Server 2008 x64	<ol style="list-style-type: none"> 1 Click Start → Control Panel → Printers. 2 Right-click the printer icon of the Dell C3760n/C3760dn Color Laser Printer, and then select Properties. 3 Click the Options tab, and then select Get Information from Printer. 4 Click Apply, and then click OK. 5 Close the Printers dialog box.
Windows XP/XP x64/ Server 2003/ Server 2003 x64	<ol style="list-style-type: none"> 1 Click start → Printers and Faxes. 2 Right-click the printer icon of the Dell C3760n/C3760dn Color Laser Printer, and then select Properties. 3 Click the Options tab, and then select Get Information from Printer. 4 Click Apply, and then click OK. 5 Close the Printers and Faxes dialog box.

If the printer information is not updated automatically after clicking **Get Information from Printer**, follow these steps:

- 1 Click the **Options** tab, and then select **Hard Disk** in the **Items** list box.
- 2 Select **Available** in the **Hard Disk** drop-down menu in **Change Setting for**.
- 3 Click **Apply**, and then click **OK**.
- 4 Close the displayed active dialog box.

When Using PS Driver

Windows 8/ Windows 8 x64/ Windows Server 2012	<ol style="list-style-type: none"> 1 Under Desktop mode, right-click the bottom left corner of the screen, and then click Control Panel → Hardware and Sound (Hardware for Windows Server 2012) → Devices and Printers. 2 Right-click the printer icon of the Dell C3760n/C3760dn Color Laser Printer, and then select Printer properties. 3 Click the Configuration tab, and then select Bi-Directional Setup. 4 Select Get Information from Printer and then click OK. 5 Click Apply, and then click OK. 6 Close the Devices and Printers dialog box.
-----------------------------------------------------	--------------------------------------------------------------------------------------------------------------------------------------------------------------------------------------------------------------------------------------------------------------------------------------------------------------------------------------------------------------------------------------------------------------------------------------------------------------------------------------------------------------------------------------------------------------------------------------------------------------------------------------------------------------------------------------------------

Windows 7/ 7 x64/ Server 2008 R2 x64	<ol style="list-style-type: none"> 1 Click Start → Devices and Printers. 2 Right-click the printer icon of the Dell C3760n/C3760dn Color Laser Printer, and then select Printer properties. 3 Click the Configuration tab, and then select Bi-Directional Setup. 4 Select Get Information from Printer and then click OK. 5 Click Apply, and then click OK. 6 Close the Devices and Printers dialog box.
Windows Vista/Vista x64	<ol style="list-style-type: none"> 1 Click Start → Control Panel → Hardware and Sound → Printers. 2 Right-click the printer icon of the Dell C3760n/C3760dn Color Laser Printer, and then select Properties. 3 Click the Configuration tab, and then select Bi-Directional Setup. 4 Select Get Information from Printer and then click OK. 5 Click Apply, and then click OK. 6 Close the Printers dialog box.
Windows Server 2008/Server 2008 x64	<ol style="list-style-type: none"> 1 Click Start → Control Panel → Printers. 2 Right-click the printer icon of the Dell C3760n/C3760dn Color Laser Printer, and then select Properties. 3 Click the Configuration tab, and then select Bi-Directional Setup. 4 Select Get Information from Printer and then click OK. 5 Click Apply, and then click OK. 6 Close the Printers dialog box.
Windows XP/XP x64/Server 2003/Server 2003 x64	<ol style="list-style-type: none"> 1 Click Start → Printers and Faxes. 2 Right-click the printer icon of the Dell C3760n/C3760dn Color Laser Printer, and then select Properties. 3 Click the Configuration tab, and then select Bi-Directional Setup. 4 Select Get Information from Printer and then click OK. 5 Click Apply, and then click OK. 6 Close the Printers and Faxes dialog box.
<p>If the printer information is not updated automatically after clicking Get Information from Printer, follow these steps:</p> <ol style="list-style-type: none"> 1 Click the Configuration tab, and then select Installable Options. 2 Select Hard Disk in the Items list box. 3 Select Available in the Hard Disk drop-down menu in Setting for. 4 Click OK. 5 Click Apply, and then click OK. 6 Close the Printers and Faxes (Printers, or Devices and Printers) dialog box. 	
Mac OS X 10.7.x/10.8.x	<ol style="list-style-type: none"> 1 Select the Print & Scan in System Preferences. 2 Select the printer in Printers list, and click Options & Supplies. 3 Select Driver, select the options that have been installed on the printers, and then click OK.
Mac OS X 10.5.x/10.6.x	<ol style="list-style-type: none"> 1 Select the Print & Fax in System Preferences. 2 Select the printer in Printers list, and click Options & Supplies. 3 Select Driver, select the options that have been installed on the printers, and then click OK.

Mac OS X 10.3.x/10.4.x

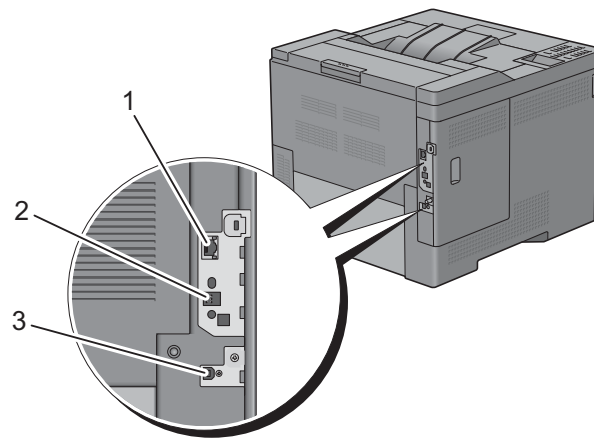
- 1** Select the printer from the **Printer List** screen in **Print Center** (or **Printer Setup Utility**).
 - 2** Click **Printers** on the **Print Center** (or **Printer Setup Utility**) menu bar, and select **Show Info**.
 - 3** Select **Installable Options**, and select the options that have been installed on the printer, and then click **Apply Changes**.
-

Connecting Your Printer

Your Dell™ C3760n/C3760dn Color Laser Printer interconnection cable must meet the following requirements:

Connection type	Connection specifications
Ethernet	10 Base-T/100 Base-TX/1000 Base-T
Wireless (optional)	IEEE 802.11b/802.11g/802.11n
USB	USB 2.0

 **NOTE:** The images used in this manual are those of the Dell C3760dn Color Laser Printer unless otherwise mentioned.



1 Ethernet port



2 Wireless adapter socket



3 USB port



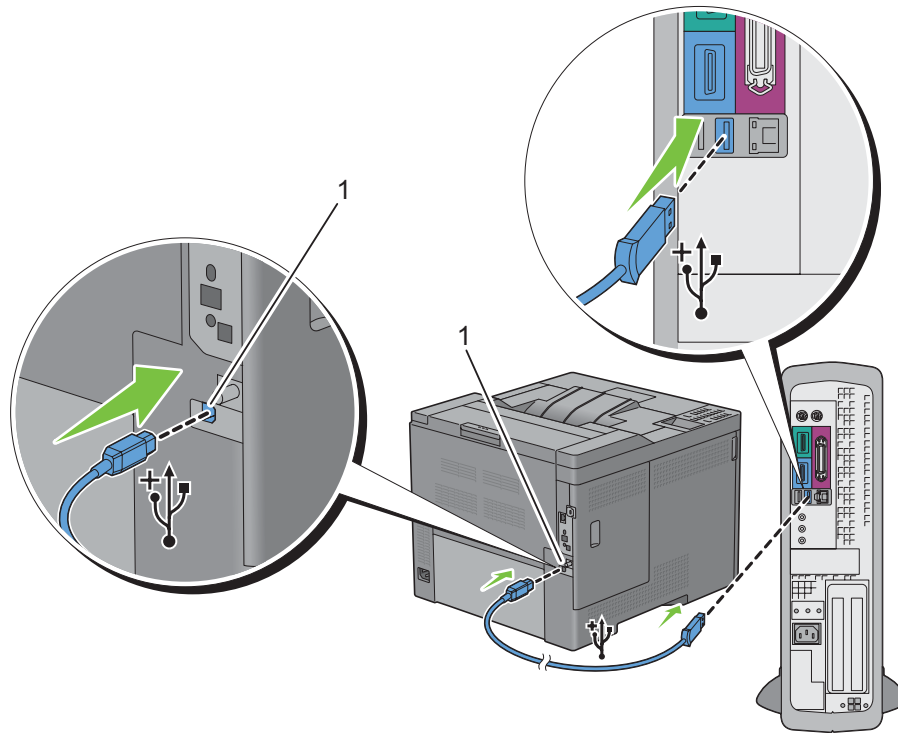
Connecting Printer to Computer or Network

Direct Connection



A local printer is a printer which is directly connected to your computer using the USB cable. If your printer is connected to a network instead of your computer, skip this section and go to "Network Connection."

To connect the printer to a computer:

- 1 Connect the smaller USB connector into the USB port at the back of the printer.



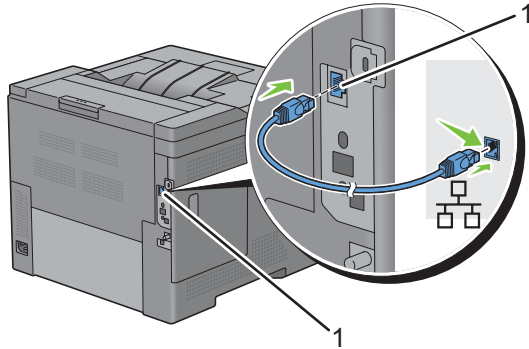
1 USB port

-  **NOTE:** Ensure that you match the USB symbol on the cable to the USB symbol on the printer.
- 2 Connect the other end of the cable into a USB port of the computer.
-  **CAUTION:** Do not connect the printer USB cable to the USB port available on the keyboard.

Network Connection

To connect the printer to a network:

- 1 Connect the Ethernet cable.



1 Ethernet port

To connect the printer to the network, connect one end of an Ethernet cable into the Ethernet port on the rear of the printer, and the other end to a LAN drop or hub. To setup a wireless connection, insert the wireless adapter into the wireless adapter socket on the back of the printer.

For a wireless connection, see "Installing the Optional Wireless Adapter."



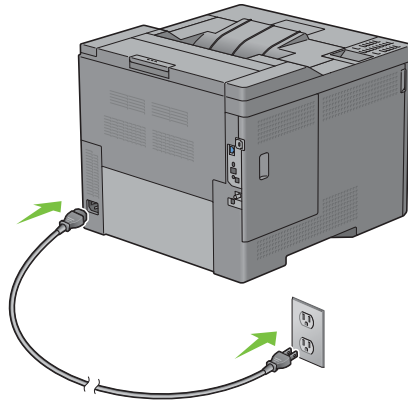
NOTE: To use the wireless adapter, be sure to disconnect the Ethernet cable.

Turning on the Printer

⚠ WARNING: Do not use extension cords or power strips.

⚠ WARNING: The printer should not be connected to an Uninterruptible Power Supply (UPS) system.

- 1 Connect the power cable to the power connector on the rear of the printer, and then to a power source.



- 2 Turn on the printer. When the printer is connected via a USB (Uninterruptible Power Supply) cable, the USB driver is automatically installed.

Setting Initial Settings on the Operator Panel

You need to set the printer language, time zone, clock date, and time when you turn on printer for the first time.

When you turn the printer on, the wizard screen to perform the initial setup appears on the operator panel. Follow the steps below to set the initial settings.

✎ NOTE: If you do not start configuring the initial settings, the printer automatically restarts in three minutes. After that, you can set the following initial setup by enabling `Power on Wizard` on the operator panel or **Dell Printer Configuration Web Tool** if needed.

For more information on operator panel, see "Operator Panel."

For more information on **Dell Printer Configuration Web Tool**, see "Dell™ Printer Configuration Web Tool."

- 1 The **Please Select Language** appears. Press the **▼** button until the desired language is highlighted, and then press the **✓ (Set)** button.

English
Français
Italiano
Deutsch
Español
Dansk
Nederlands
Norsk
Svenska

- 2** The **Please Select Time Zone** appears. Press the **▼** button until the desired time zone is highlighted, and then press the **✓** (Set) button.

UTC -12:00	
UTC -11:00	Midway Island, Niue, Samoa
UTC -10:00	Adak, Hawaii, Tahiti, Cook Islands
UTC -09:00	Alaska, Gambier Islands
UTC -08:00	Pacific Time (US & Canada), Pitcairn Islands, Tijuana
UTC -07:00	Arizona, Chihuahua, Dawson Creek, Mazatlan, Sonora, Mountain Time (US & Canada)
UTC -06:00	Cancun, Central America, Central Time (US & Canada), Easter Island, Galapagos Islands, Mexico City, Monterrey, Saskatchewan
UTC -05:00	Atikokan, Bogota, Cayman Islands, Eastern Time (US & Canada), Grand Turk, Jamaica, Lima, Panama, Port-au-Prince, Quito, Resolute, Havana
UTC -04:00	Asuncion, Atlantic Time (Canada), Bermuda, Blanc-Sablon, Caribbean Islands, Cuiaba, Georgetown, La Paz, Manaus, Palmer Archipelago, Santiago, Stanley, Thule
UTC -03:30	St. John's
UTC -03:00	Brasilia, Buenos Aires, Cayenne, Greenland, Miquelon, Montevideo, Paramaribo, Rothera
UTC -02:00	Noronha, South Georgia Island
UTC -01:00	Azores, Scoresbysund, Cape Verde
UTC 00:00	Accra, Bamako, Casablanca, Dakar, Dublin, Edinburgh, Lisbon, London, Nouakchott, Reykjavik
UTC +01:00	Algiers, Amsterdam, Belgrade, Berlin, Bratislava, Brussels, Budapest, Copenhagen, Douala, Libreville, Luanda, Madrid, Paris, Prague, Rome, Sarajevo, Skopje, Stockholm, Tunis, Vienna, Warsaw, Zagreb, Windhoek
UTC +02:00	Amman, Athens, Beirut, Bucharest, Cairo, Damascus, Harare, Helsinki, Istanbul, Jerusalem, Johannesburg, Kaliningrad, Kiev, Kinshasa, Minsk, Nicosia, Riga, Sofia, Tripoli, Palestine
UTC +03:00	Addis Ababa, Aden, Antananarivo, Baghdad, Comoro Islands, Khartoum, Mayotte, Mogadishu, Moscow, Nairobi, Qatar, Riyadh, Syowa
UTC +03:30	Tehran
UTC +04:00	Baku, Dubai, Mahe, Mauritius, Muscat, Reunion, Samara, Tbilisi, Yerevan
UTC +04:30	Kabul
UTC +05:00	Aqtau, Aqtobe, Ashgabat, Ekaterinburg, Karachi, Maldives, Samarkand, Kerguelen
UTC +05:30	Colombo, Kolkata
UTC +05:45	Kathmandu
UTC +06:00	Almaty, Bishkek, Chagos, Dhaka, Mawson, Omsk, Thimphu, Vostok, Novosibirsk
UTC +06:30	Cocos Islands, Yangon (Rangoon)
UTC +07:00	Bangkok, Christmas Island, Davis, Ho Chi Minh, Hovd, Jakarta, Krasnoyarsk
UTC +08:00	Casey, Chongqing, Hong Kong, Irkutsk, Kuala Lumpur, Makassar, Manila, Perth, Shanghai, Singapore, Taipei, Ulaan Baatar
UTC +09:00	Dili, Jayapura, Palau, Pyongyang, Seoul, Tokyo, Yakutsk
UTC +09:30	Adelaide, Darwin
UTC +10:00	Brisbane, Dumont d'Urville, Guam, Hobart, Lindeman, Melbourne, Port Moresby, Saipan, Sydney, Vladivostok, Sakhalin,
UTC +11:00	Efate, Guadalcanal, Kosrae, Magadan
UTC +12:00	Anadyr, Auckland, Fiji, Kamchatka, Marshall Islands, McMurdo
UTC +13:00	Tongatapu

- 3** **Please Enter Date** appears. Specify the date, and then press the ✓ (Set) button.
- 4** **Please Enter Time** appears. Specify the time, and then press the ✓ (Set) button.
The printer automatically restarts after selecting the ✓ (Set) button.

Setting the IP Address

Assigning an IP Address

An IP address is a unique number that consists of four sections that are delimited by a period and can include up to three digits in each section, for example, 111 . 222 . 33 . 44.

You can select the IP mode from Dual Stack, IPv4, and IPv6. If your network supports both IPv4 and IPv6, select Dual Stack.

Select the IP mode of your environment, and then set IP address, subnet mask (for IPv4 only), and gateway address.

CAUTION: Assigning an IP address that is already in use can cause network performance issues.

NOTE: Assigning an IP address is considered as an advanced function and is normally done by a system administrator.

NOTE: When you assign an IP address manually in IPv6 mode, use the **Dell™ Printer Configuration Web Tool**. To display the **Dell Printer Configuration Web Tool**, use the link-local address. To confirm the link-local address, print a printer settings report and check the **Link-Local Address** under **Network (Wired)** or **Network (Wireless)**. For details about how to print a printer settings report, see "Report / List."

NOTE: If the Panel Lock Control is set to Enable, you need to enter the four digit password to enter the Admin Settings menu.

NOTE: The images used in this manual are those of the Dell C3760dn Color Laser Printer unless otherwise mentioned.

When Using the Easy Setup Navigator




- 1 Insert the *Software and Documentation* disc provided with the printer in your computer. The **Easy Setup Navigator** file launches automatically.
- 2 Click **Advanced Tools** on the **Easy Setup Navigator** window. The **Advanced Tools** window opens.








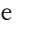







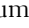















- 3 Click **IP Configuration**.
- 4 Follow the instructions displayed on the screen.


When Using the Operator Panel

For more information on using the operator panel, see "Operator Panel."

- 1 Press the  (Menu) button.
- 2 Press the  button until **Admin Settings** is highlighted, and then press the  (Set) button.

- 3 Press the  button until `Network` is highlighted, and then press the  (Set) button.
- 4 Press the  button until `TCP/IP` is highlighted, and then press the  (Set) button.
- 5 Press the  button until `IPv4` is highlighted, and then press the  (Set) button.
- 6 Press the  button until `Get IP Address` is highlighted, and then press the  (Set) button.
- 7 Press the  button until `Panel` is highlighted, and then press the  (Set) button.
 -  **NOTE:** If the message `This Setting Becomes Effective after Restart` is displayed, press the  (Back) button.
- 8 Press the  (Back) button.
- 9 Press the  button until `IP Address` is highlighted, and then press the  (Set) button.
The cursor is located at the first octet of the IP address.
- 10 Use the number pad to enter the first octet of the IP address, and then Press the  button.
The cursor moves to the next digit.
 -  **NOTE:** You can only enter one octet at a time and must press the  button after entering each octet.
- 11 Enter the rest of the octets, and then press the  (Set) button.
 -  **NOTE:** If the message `This Setting Becomes Effective after Restart` is displayed, press the  (Back) button.
- 12 Press the  (Back) button.
- 13 Press the  button until `Subnet Mask` is highlighted, and then press the  (Set) button.
- 14 Repeat steps 11 and 12 to set Subnet Mask.
 -  **NOTE:** If the message `This Setting Becomes Effective after Restart` is displayed, press the  (Back) button.
- 15 Press the  (Back) button.
- 16 Press the  button until `Gateway Address` is highlighted, and then press the  (Set) button.
- 17 Repeat steps 11 and 12 to set the Gateway Address.
- 18 Turn off the printer and then turn it on again.

When Using the Tool Box










- 1 Click `Start`→ `All Programs`→ `Dell Printers`→ `Dell C3760 Color Laser Printer`→ `Tool Box`.
 -  **NOTE:** For details about starting the **Tool Box**, see "Starting the Tool Box."
The **Tool Box** opens.
- 2 Click the **Printer Maintenance** tab.
- 3 Select **TCP/IP Settings** from the list at the left side of the page.
The **TCP/IP Settings** page appears.
- 4 Select the mode from **IP Address Mode**, and then enter the values in **IP Address**, **Subnet Mask**, and **Gateway Address**.
- 5 Click **Apply New Settings** to take effect.

You can also assign the IP address to the printer when installing the printer drivers with the installer. When you use the **Network Installation** feature, and the `Get IP Address` is set to `AutoIP` or `DHCP` on the printer, you can set the IP address from `0.0.0.0` to the desired IP address on the printer selection window.

Verifying the IP Settings

You can confirm the settings by using the operator panel, printing the printer settings report, or using the ping command.

Verifying the Settings Using Operator Panel

- 1 Press the  (Menu) button.
- 2 Press the  button until `Admin Settings` is highlighted, and then press the  (Set) button.
- 3 Press the  button until `Network` is highlighted, and then press the  (Set) button.
- 4 Press the  button until `TCP/IP` is highlighted, and then press the  (Set) button.
- 5 Press the  button until `IPv4` is highlighted, and then press the  (Set) button.

Check the IP address displayed on the operator panel.

Verifying the Settings Using Printer Settings Report

- 1 Print the printer settings report.
For details about how to print a printer settings report, see "Report / List."
- 2 Verify the correct IP address, subnet mask, and gateway address are listed in the printer settings report under **Network (Wired)** or **Network (Wireless)**.
If the IP address shows `0 . 0 . 0 . 0` (the factory default), an IP address has not been assigned. To assign one for your printer, see "Assigning an IP Address."

Verifying the Settings Using Ping Command


Ping the printer and verify that it responds. For example, at a command prompt on a network computer, type ping followed by the new IP address (for example, `192.168.0.11`):

```
ping 192.168.0.11
```

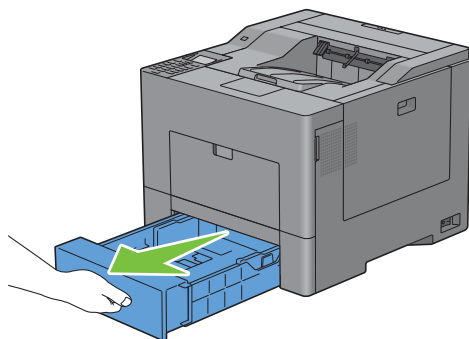
If the printer is active on the network, you will receive a reply.

Loading Paper

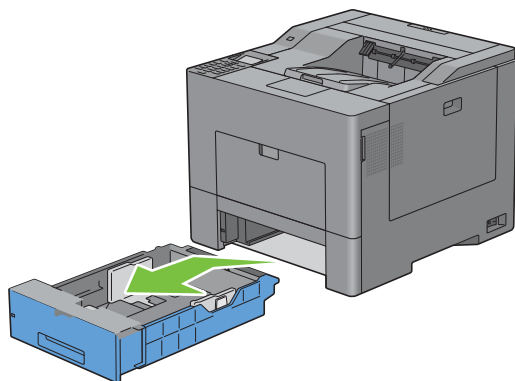
 **NOTE:** The images used in this manual are those of the Dell™ C3760dn Color Laser Printer unless otherwise mentioned.

 **NOTE:** To avoid paper jams, do not remove the tray while printing is in progress.

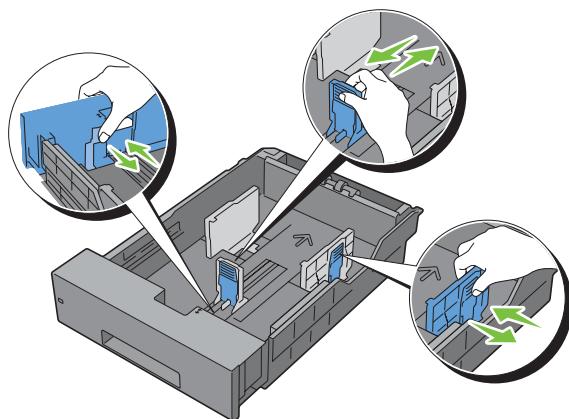
- 1 Pull the tray out of the printer about 200 mm.




- 2 Hold the tray with both hands, and remove it from the printer.

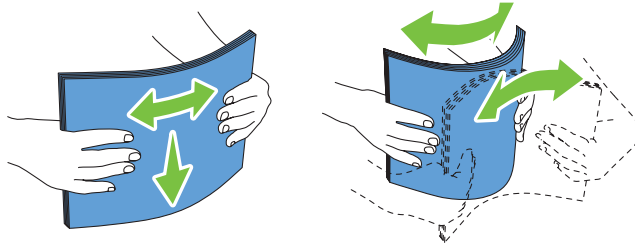


- 3 Adjust the paper guides.




 **NOTE:** Extend the front side of the tray when you load Legal size paper.

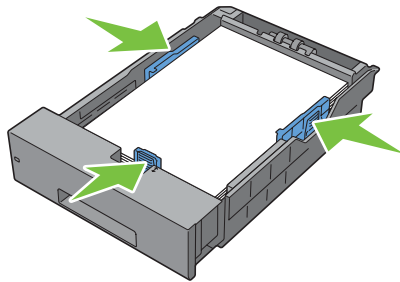
- 4 Before loading the print media, flex the sheets and fan them. Straighten the edges of the stack on a level surface.




- 5 Load the print media into the tray with the recommended print side facing up.

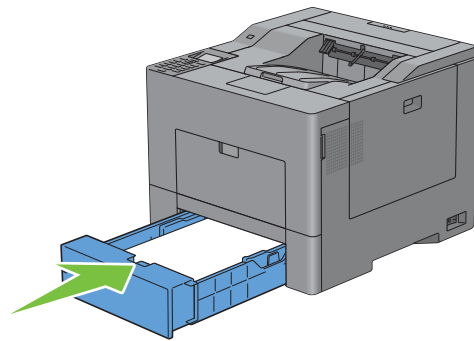
 **NOTE:** Do not exceed the maximum fill line in the tray. Overfilling the tray may cause paper jams.


- 6 Align the width guides against the edges of the paper.

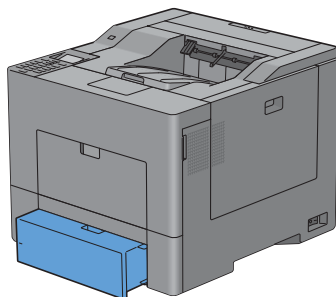


 **NOTE:** When loading user-specified print media, adjust the width guides and slide the extendable part of the tray by pinching the length guide and sliding it until it rests lightly against the edge of the paper.

- 7 After confirming that the guides are securely adjusted, insert the tray into the printer.



 **NOTE:** If the front side of the tray is extended, the tray protrudes when it is inserted into the printer.



- 8 On the operator panel, press the **▼** or **▲** button until the desired paper size is highlighted, and then press the **✓** (Set) button.
- 9 Press the **▼** or **▲** button until the desired paper type is highlighted, and then press the **✓** (Set) button.

Installing Printer Drivers on Windows® Computers

Identifying Printer Driver Pre-install Status

Before installing the printer driver on your computer, check the IP address of your printer by performing one of the procedures in "Verifying the IP Settings."

Changing the firewall settings before installing your printer

If you are running one of the following operating systems, you must change the firewall settings before installing the Dell printer software:

- Microsoft® Windows XP
- Windows Vista®
- Windows 7
- Windows 8
- Windows Server® 2008
- Windows Server 2008 R2
- Windows Server 2012


 **NOTE:** For Windows XP, Service Pack 2 or 3 must be installed.

The following procedure uses Windows 7 as an example.

- 1 Insert the *Software and Documentation* disc into your computer.
- 2 Click **Start** → **Control Panel**.
- 3 Select **System and Security**.
- 4 Click **Allow a program through Windows Firewall**.
- 5 Click **Change settings** → **Allow another program**.
- 6 Check **Browse**.
- 7 `D:\setup_assist.exe` (where D is the drive letter of the optical drive) in the **File name** text box, and then click **Open**.
- 8 Click **Add**, and then click **OK**.

Inserting the Software and Documentation Disc

- 1 Insert the *Software and Documentation* disc into your computer and click `setup_assist.exe` to start **Easy Setup Navigator**.

 **NOTE:** If the *Software and Documentation* disc does not launch automatically, follow the procedure below.

For Windows XP, Windows Server® 2008, and Windows Server 2008 R2

Click **Start** → **Run**, enter `D:\setup_assist.exe` (where D is the drive letter of the optical drive) in the **Run** dialog box, and then click **OK**.

For Windows Vista® and Windows 7

Click **Start** → **All Programs** → **Accessories** → **Run**, enter `D:\setup_assist.exe` (where D is the drive letter of the optical drive) in the **Run** dialog box, and then click **OK**.

For Windows 8 and Windows Server 2012


Point to the top or bottom right corner of the screen, and then click **Search** → Type **Run** in the search box, click **Apps**, and then click **Run** → Type `D:\setup_assist.exe` (where D is the drive letter of the optical drive), and then click **OK**.

Direct Connection Setup

For installing PCL and PS printer driver

- 1 In the Easy Setup Navigator window, click **Installing Driver and Software** to launch the installation software.
- 2 Select **Personal Installation**, and then click **Next**.
- 3 Follow the on-screen instructions to connect the computer and the printer with a USB cable, and then turn the printer on.

The Plug and Play installation starts and the installation software proceeds to the next page automatically.


 **NOTE:** If the installation software does not automatically proceed to the next page, click **Install**.


- 4 Select either **Typical Installation (recommended)** or **Custom Installation** from the installation wizard, and then click **Install**. If you select **Custom Installation**, you can select the specific software you want to install.
- 5 Click **Finish** to exit the wizard when the **Congratulations!** screen appears.

Personal Installation

A personal printer is a printer connected to your computer or a print server using a USB. If your printer is connected to a network and not your computer, see "Network Connection Setup."

For installing XML Paper Specification (XPS) printer driver

 **NOTE:** XPS driver is supported on the following operating systems: Windows Vista, Windows Vista 64-bit Edition, Windows Server 2008, Windows Server 2008 64-bit Edition, Windows Server 2008 R2, Windows 7, Windows 7 64-bit Edition, Windows 8, Windows 8 64-bit Edition, and Windows Server 2012.

 **NOTE:** If you are using Windows Vista or Windows Server 2008, you need to install Service Pack 2 or later, and then the Windows Platform Update (KB971644). The update (KB971644) is available for download from Windows Update.

Windows Vista or Windows Vista 64-bit Edition

- 1 Extract the following zip file to your desired location.
D:\Drivers\XPS\Win_7Vista\XPS_3760.zip (where D is the drive letter of the optical drive)
- 2 Click **Start** → **Control Panel** → **Hardware and Sound** → **Printers**.
- 3 Click **Add a printer**.
- 4 Click **Add a local printer**.
- 5 Select the port connected to this product, and then click **Next**.
- 6 Click **Have Disk** to display the **Install From Disk** dialog box.
- 7 Click **Browse**, and then select the extracted folder in step 1.
- 8 Click **OK**.
- 9 Select your printer name and click **Next**.
- 10 To change the printer name, enter the printer name in the **Printer name** box, and then click **Next**. To use this printer as the default printer, select the check box displayed under the **Printer name**, and then click **Next**.

Installation starts.

If the User Account Control dialog box appears, click **Continue**.



NOTE: If you are an administrator on the computer, click **Continue**; otherwise, contact your administrator to continue the desired action.

- 11 As the driver installation is completed, click **Print a test page** to print a test page.
- 12 Click **Finish**.

Windows Server 2008 or Windows Server 2008 64-bit Edition



NOTE: You must log in as an administrator.

- 1 Extract the following zip file to your desired location.
D:\Drivers\XPS\Win_7Vista\XPS_3760.zip (where D is the drive letter of the optical drive)
- 2 Click **Start**→**Control Panel**→**Hardware and Sound**→**Printers**.
- 3 Click **Add a printer**.
- 4 Click **Add a local printer**.
- 5 Select the port connected to this product, and then click **Next**.
- 6 Click **Have Disk** to display the **Install From Disk** dialog box.
- 7 Click **Browse**, and then select the extracted folder in step 1.
- 8 Click **OK**.
- 9 Select your printer name and click **Next**.
- 10 To change the printer name, enter the printer name in the **Printer name** box, and then click **Next**.
To use this printer as the default printer, select the **Set as the default printer** check box, and then click **Next**.
- 11 If you do not share your printer, select **Do not share this printer**. If you share your printer, select **Share this printer so that others on your network can find and use it**.
- 12 Click **Next**.
Installation starts.
- 13 As the driver installation is completed, click **Print a test page** to print a test page.
- 14 Click **Finish**.

Windows 7, Windows 7 64-bit Edition, or Windows Server 2008 R2

- 1 Extract the following zip file to your desired location.
D:\Drivers\XPS\Win_7Vista\XPS_3760.zip (where D is the drive letter of the optical drive)
- 2 Click **Start**→**Devices and Printers**.
- 3 Click **Add a printer**.
When you use Windows Server 2008 R2, click **Add a local or network printer as an administrator**.

If the **User Account Control** dialog box appears, click **Yes**.



NOTE: If you are an administrator on the computer, click **Yes**; otherwise, contact your administrator to continue the desired action.


- 4 Click **Add a local printer**.
- 5 Select the port connected to this product, and then click **Next**.
- 6 Click **Have Disk** to display the **Install From Disk** dialog box.
- 7 Click **Browse**, and then select the extracted folder in step 1.
- 8 Click **OK**.
- 9 Select your printer name and click **Next**.

- 10 To change the printer name, enter the printer name in the **Printer name** box, and then click **Next**.
To use this printer as the default printer, select the **Set as the default printer** check box, and then click **Next**.
- 11 If you do not share your printer, select **Do not share this printer**. If you share your printer, select **Share this printer so that others on your network can find and use it**.
- 12 Click **Next**.
Installation starts.
- 13 As the driver installation is completed, click **Print a test page** to print a test page.
- 14 Click **Finish**.

Windows 8, Windows 8 64-bit Edition, or Windows Server 2012

- 1 Extract the zip file you downloaded to your desired location.
- 2 Under Desktop mode, right-click the bottom left corner of the screen, and then click **Control Panel**.
- 3 Click **Hardware and Sound** (**Hardware** for Windows Server 2012) → **Devices and Printers** → **Add a printer**.
- 4 Click **Have Disk** to display the **Install From Disk** dialog box.
- 5 Click **Browse**, and then select the extracted folder in step 1.
- 6 Click **OK**.
- 7 Select your printer name and click **Next**.
- 8 To change the printer name, enter the printer name in the **Printer name** box, and then click **Next**. Installation starts.
- 9 If you do not share your printer, select **Do not share this printer**. If you share your printer, select **Share this printer so that others on your network can find and use it**. Click **Next**.
- 10 As the driver installation is completed, click **Print a test page** to print a test page. To use this printer as the default printer, select the **Set as the default printer** check box.
- 11 Click **Finish**.

Network Connection Setup


 **NOTE:** To use this printer in a Linux environment, you need to install a Linux driver. For more information on how to install and use these, see "Installing Printer Drivers on Linux Computers (CUPS)."


Network Printer Setup on a Local Network

For installing PCL and PS printer driver

- 1 In the **Easy Setup Navigator** window, click **Installing Driver and Software** to launch the installation software.
- 2 Select **Network Installation**, and then click **Next**.
- 3 Select **Local Installation**, and then click **Next**.
- 4 Select the printer you want to install from the printer list, and then click **Next**. If the target printer is not displayed on the list, click **Refresh** to refresh the list or click **Add Printer** to add a printer to the list manually. You may specify the IP address and port name at this point.


If you have installed this printer on the server computer, select the **I am setting up this printer on a server** check box.

 **NOTE:** When using AutoIP, 0 . 0 . 0 . 0 is displayed in the installer. Before you can continue, you must enter a valid IP address.

 **NOTE:** In some cases, **Windows Security Alert** is displayed in this step when you use Windows Vista, Windows Vista 64-bit Edition, Windows Server 2008, Windows Server 2008 64-bit Edition, Windows Server 2008 R2, Windows 7, Windows 7 64-bit Edition, Windows 8, Windows 8 64-bit Edition, Windows Server 2012. In this case, select **Unblock** (Allow access for Windows Server 2008 R2 and Windows 7), and then continue the procedure.

- 5 Specify the printer settings, and then click **Next**.
 - a Enter the printer name.
 - b If you want other users on the network to access the printer, select **Share this printer with other computers on the network**, and then enter a share name that users can identify.
 - c If you want to set the printer as the default printer, select the **Set this printer as default** check box.
 - d If you want to restrict color printing, select the appropriate **Dell™ ColorTrack** option. Enter the password when **Color-Password Enabled** is selected for **Dell ColorTrack**.
 - e If you want to install the PostScript printer driver, select the **PostScript Driver** check box.
- 6 Select the software and documentation you want to install, and then click **Next**. If you want to change the installation destination, click **Browse** and specify a new location.
- 7 Click **Install**.
- 8 Click **Finish** to exit the wizard when the **Congratulations!** screen appears.

For installing XML Paper Specification (XPS) printer driver

 **NOTE:** XPS driver is supported on the following operating systems: Windows Vista, Windows Vista 64-bit Edition, Windows Server 2008, Windows Server 2008 64-bit Edition, Windows Server 2008 R2, Windows 7, Windows 7 64-bit Edition, Windows 8, Windows 8 64-bit Edition, and Windows Server 2012.

Windows Vista or Windows Vista 64-bit Edition

- 1 Extract the following zip file to your desired location.
D:\Drivers\XPS\Win_7Vista\XPS_3760.zip (where D is the drive letter of the optical drive)
- 2 Click **Start**→**Control Panel**→**Hardware and Sound**→**Printers**.
- 3 Click **Add a printer**.
- 4 Click **Add a network, wireless or Bluetooth printer**.
- 5 Select printer or click **The printer that I want isn't listed**.
- 6 Select **Add a printer using a TCP/IP address or host name**, and then click **Next**.
- 7 Select **TCP/IP Device** from **Device type**, and enter the IP address for **Hostname or IP address**, and then click **Next**.


If the User Account Control dialog box appears, click **Continue**.

 **NOTE:** If you are an administrator on the computer, click **Continue**; otherwise, contact your administrator to continue the desired action.

- 8 Click **Have Disk** to display the **Install From Disk** dialog box.
- 9 Click **Browse**, and then select the extracted folder in step 1.
- 10 Click **OK**.
- 11 Select your printer name and click **Next**.
- 12 To change the printer name, enter the printer name in the **Printer name** box, and then click **Next**.
To use this printer as the default printer, select the **Set as the default printer** check box, and then click **Next**.
Installation starts.
- 13 As the driver installation is completed, click **Print a test page** to print a test page.

14 Click **Finish**.

Windows Server 2008 or Windows Server 2008 64-bit Edition

 **NOTE:** You must log in as an administrator.

1 Extract the following zip file to your desired location.
D:\Drivers\XPS\Win_7Vista\XPS_3760.zip (where D is the drive letter of the optical drive)

2 Click **Start**→**Control Panel**→**Hardware and Sound**→**Printers**.

3 Click **Add a printer**.

4 Click **Add a network, wireless or Bluetooth printer**.

5 Select printer or click **The printer that I want isn't listed**.

When you select your printer, go to step 8.

When you click **The printer that I want isn't listed**, go to step 6.

6 Select **Add a printer using a TCP/IP address or host name**, and then click **Next**.

7 Select **TCP/IP Device** from **Device type**, and enter the IP address for **Hostname or IP address**, and then click **Next**.

If the User Account Control dialog box appears, click **Continue**.

 **NOTE:** If you are an administrator on the computer, click **Continue**; otherwise, contact your administrator to continue the desired action.

8 Click **Have Disk** to display the **Install From Disk** dialog box.

9 Click **Browse**, and then select the extracted folder in step 1.

10 Click **OK**.

11 Select your printer name and click **Next**.

12 To change the printer name, enter the printer name in the **Printer name** box, and then click **Next**.

To use this printer as the default printer, select the **Set as the default printer** check box, and then click **Next**.

13 If you do not share your printer, select **Do not share this printer**. If you share your printer, select **Share this printer so that others on your network can find and use it**.

14 Click **Next**.

Installation starts.

15 As the driver installation is completed, click **Print a test page** to print a test page.

16 Click **Finish**.

Windows Server 2008 R2

1 Extract the following zip file to your desired location.

D:\Drivers\XPS\Win_7Vista\XPS_3760.zip (where D is the drive letter of the optical drive)

2 Click **Start**→**Devices and Printers**.

3 Click **Add a printer**.

4 Click **Add a network, wireless or Bluetooth printer**.

5 Select printer or click **The printer that I want isn't listed**.

 **NOTE:** When you click **The printer that I want isn't listed**, **Find a printer by name or TCP/IP address** screen appears. Find your printer on the screen.


If the User Account Control dialog box appears, click **Continue**.



NOTE: If you are an administrator on the computer, click **Continue**; otherwise, contact your administrator to continue the desired action.

- 6 Click **Have Disk** to display the **Install From Disk** dialog box.
- 7 Click **Browse**, and then select the extracted folder in step 1.
- 8 Click **OK**.
- 9 Select your printer name and click **Next**.
- 10 To change the printer name, enter the printer name in the **Printer name** box, and then click **Next**.
To use this printer as the default printer, select the **Set as the default printer** check box, and then click **Next**.
- 11 If you do not share your printer, select **Do not share this printer**. If you share your printer, select **Share this printer so that others on your network can find and use it**.
- 12 Click **Next**.
Installation starts.
- 13 As the driver installation is completed, click **Print a test page** to print a test page.
- 14 Click **Finish**.

Windows 7 or Windows 7 64-bit Edition


- 1 Extract the following zip file to your desired location.
D:\Drivers\XPS\Win_7Vista\XPS_3760.zip (where D is the drive letter of the optical drive)
 - 2 Click **Start**→**Devices and Printers**.
 - 3 Click **Add a printer**.
 - 4 Click **Add a network, wireless or Bluetooth printer**.
 - 5 Select printer or click **The printer that I want isn't listed**.
When you select your printer, go to step 8.
When you click **The printer that I want isn't listed**, go to step 6.
 - 6 Select **Add a printer using a TCP/IP address or host name**, and then click **Next**.
 - 7 Select **TCP/IP Device** from **Device type**, and enter the IP address for **Hostname or IP address**, and then click **Next**.
If the **User Account Control** dialog box appears, click **Yes**.
-  **NOTE:** If you are an administrator on the computer, click **Yes**; otherwise, contact your administrator to continue the desired action.
- 8 Click **Have Disk** to display the **Install From Disk** dialog box.
 - 9 Click **Browse**, and then select the extracted folder in step 1.
 - 10 Click **OK**.
 - 11 Select your printer name and click **Next**.
 - 12 To change the printer name, enter the printer name in the **Printer name** box, and then click **Next**.
To use this printer as the default printer, select the **Set as the default printer** check box, and then click **Next**.
 - 13 If you do not share your printer, select **Do not share this printer**. If you share your printer, select **Share this printer so that others on your network can find and use it**.
 - 14 Click **Next**.
Installation starts.
 - 15 As the driver installation is completed, click **Print a test page** to print a test page.

16 Click **Finish**.

Windows 8, Windows 8 64-bit Edition, or Windows Server 2012

- 1 Extract the zip file you downloaded to your desired location.
- 2 Under Desktop mode, right-click the bottom left corner of the screen, and then click **Control Panel**.
- 3 Click **Hardware and Sound** (**Hardware** for Windows Server 2012) → **Devices and Printers** → **Add a printer**.
- 4 Click **Have Disk** to display the **Install From Disk** dialog box.
- 5 Click **Browse**, and then select the extracted folder in step 1.
- 6 Click **OK**.
- 7 Select your printer name and click **Next**.
- 8 To change the printer name, enter the printer name in the **Printer name** box, and then click **Next**. Installation starts.
- 9 If you do not share your printer, select **Do not share this printer**. If you share your printer, select **Share this printer so that others on your network can find and use it**. Click **Next**.
- 10 As the driver installation is completed, click **Print a test page** to print a test page. To use this printer as the default printer, select the **Set as the default printer** check box.
- 11 Click **Finish**.

Use the **Dell Printer Configuration Web Tool** to monitor the status of your network printer without leaving your desk. You can view and/or change the printer settings, monitor toner level, and acknowledge the timing of ordering replacement consumables. You can click the Dell supplies link for ordering supplies.

 **NOTE:** The **Dell Printer Configuration Web Tool** is not available when the printer is directly connected to a computer or a print server.

To launch the **Dell Printer Configuration Web Tool**, type the printer's IP address in your web browser. The printer configuration appears on the screen.

You can set up the **Dell Printer Configuration Web Tool** to send you an e-mail when the printer needs supplies or intervention.

To set up e-mail alerts:

- 1 Launch the **Dell Printer Configuration Web Tool**.
- 2 Click **E-Mail Alert** link.
- 3 Under **E-Mail Server Settings**, enter the **Primary SMTP Gateway**, **Reply Address**, and your or key operator's e-mail address in the e-mail list box.
- 4 Click **Apply New Settings**.


 **NOTE:** **Connection pending until printer sends an alert** is displayed on the SMTP server until an error occurs.

Network Printer Setup on a Remote Network

Before Installation

Before you start remote installation, perform the following procedures.

Allow Print Spooler to Accept Client Connections

 **NOTE:** This procedure is required for Windows XP 64-bit Edition, Windows Server 2003, Windows Server 2003 x64 Edition, Windows Vista, Windows Vista 64-bit Edition, Windows Server 2008, Windows Server 2008 64-bit Edition, Windows Server 2008 R2, Windows 7, and Windows 7 64-bit Edition.


For Windows XP, Windows Server 2003, Windows Vista, and Windows Server 2008:

- 1 Open the Run dialog box.
For Windows XP, Windows Server 2003, Windows Server 2008, click **start**→ **All Programs** → **Accessories** → **Run**.
For Windows Vista, click **Start**→ **Run**.
- 2 Type `gpedit.msc`, and then click **OK**.
- 3 Click **Computer Configuration**→ **Administrative Templates**→ **Printers**.
- 4 Right-click **Allow Print Spooler to accept client connections** and select **Properties**.
- 5 On the **Setting** tab, select **Enabled**, and then click **OK**.
- 6 Restart the computer.

For Windows Server 2008 R2 and Windows 7:

- 1 Open the Run dialog box.
For Windows Server 2008 R2, click **Start**→ **Run**.
For Windows 7, click **Start**→ **All Programs**→ **Accessories**→ **Run**.
- 2 Type `gpedit.msc`, and then click **OK**.
- 3 Click **Computer Configuration**→ **Administrative Templates**→ **Printers**.
- 4 Right-click **Allow Print Spooler to accept client connections** and select **Edit**.
- 5 Select **Enabled**, and then click **OK**.
- 6 Restart the computer.

Change the Firewall Setting to Share File and Printer

 **NOTE:** This procedure is required for Windows XP, Windows XP 64-bit Edition, Windows Vista, Windows Vista 64-bit Edition, Windows Server 2008, Windows Server 2008 64-bit Edition, Windows Server 2008 R2, Windows 7, and Windows 7 64-bit Edition.

For Windows XP:

- 1 Click **start**→ **Control Panel**.
- 2 Select **Security Center**.
- 3 Click **Windows Firewall**.
- 4 On the **Exceptions** tab, select the **File and Printer Sharing** check box, and then click **OK**.

For Windows Vista:

- 1 Click **Start**→ **Control Panel**.
- 2 Select **Security**.
- 3 Click **Windows Firewall**.
- 4 Click **Change settings**.
- 5 Click **Continue**.
- 6 On the **Exceptions** tab, select the **File and Printer Sharing** check box, and then click **OK**.

For Windows Server 2008:


- 1 Click **Start**→ **Control Panel**.
- 2 Double-click **Windows Firewall**.
- 3 Click **Change settings**.
- 4 On the **Exceptions** tab, select the **File and Printer Sharing** check box, and then click **OK**.

For Windows Server 2008 R2 and Windows 7:

- 1 Click **Start**→ **Control Panel**.

- 2 Select **System and Security**.
- 3 Click **Windows Firewall**.
- 4 Click **Allow a program or feature through Windows Firewall**.
- 5 If the check boxes under **Allowed programs and features**: are dimmed, click **Change settings**.
- 6 Select the **File and Printer Sharing** check box. **Home/Work (Private)** or **Public** check box is automatically selected according to your settings.
If the **File and Printer Sharing Properties** dialog box appears, click **OK**.
- 7 Click **OK**.

Start Remote Registry

 **NOTE:** This procedure is required for Windows Vista, Windows Vista 64-bit Edition, Windows 7, and Windows 7 64-bit Edition.

- 1 Click **Start**→ **Control Panel**.
- 2 Select **System and Maintenance** (System and Security for Windows 7).
- 3 Click **Administrative Tools**.
- 4 Double-click **Services**.
- 5 Click **Continue** (for Windows Vista only).
- 6 Right-click **Remote Registry** and select **Start**.
- 7 Right-click **Remote Registry** and select **Properties**.
- 8 Change **Startup** type to **Automatic**, and then click **OK**.

Disable User Account Control

 **CAUTION:** Disabling the User Account Control might leave the system vulnerable to virus attacks.

 **NOTE:** This procedure is required for Windows Vista, Windows Vista 64-bit Edition, Windows Server 2008, Windows Server 2008 64-bit Edition, Windows Server 2008 R2, Windows 7, and Windows 7 64-bit Edition.

For Windows Vista:

- 1 Click **Start**→ **Control Panel**.
- 2 Select **User Accounts and Family Safety**.
- 3 Click **User Accounts**.
- 4 Click **Turn User Account Control on or off**.
- 5 Click **Continue**.
- 6 Clear the **Use User Account Control (UAC) to help protect your computer** check box.
- 7 Restart the computer.

For Windows Server 2008:

- 1 Click **Start**→ **Control Panel**.
- 2 Double-click **User Accounts**.
- 3 Click **Turn User Account Control on or off**.
- 4 Clear the **Use User Account Control (UAC) to help protect your computer** check box.
- 5 Click **OK**.
- 6 Restart the computer.

For Windows Server 2008 R2:


- 1 Click **Start**→ **Control Panel**.

- 2 Select **User Accounts**.
- 3 Click **Change User Account Control Settings**.
- 4 Move the slider to the bottom, and then click **OK**.
- 5 Restart the computer.

For Windows 7:


- 1 Click **Start**→ **Control Panel**.
- 2 Select **User Accounts and Family Safety**.
- 3 Click **User Accounts**.
- 4 Click **Change User Account Control Settings**.
- 5 Move the slider to the bottom, and then click **OK**.
- 6 Click **Yes** in the **User Account Control** dialog box.
- 7 Restart the computer.

Enable Network Discovery and File Sharing for all Public Networks

 **NOTE:** This procedure is required when you use Windows Vista, Windows Vista 64-bit Edition, Windows Server 2008, Windows Server 2008 64-bit Edition, Windows Server 2008 R2, Windows 7, and Windows 7 64-bit Edition for the server computer.


- 1 Click **Start**→ **Network** (**Start**→ your user name→ **Network** for Windows 7).
- 2 Click **Network discovery and file sharing are turned off**. Network computers and devices are not visible. Click to change.
- 3 Click **Turn on network discovery and file sharing**.
- 4 Click **Yes, turn on network discovery and file sharing for all public networks**.

Disable Simple File Sharing

 **NOTE:** This procedure is required for Windows XP, and Windows XP 64-bit Edition.


- 1 Click **start**→ **Control Panel**.
- 2 Select **Appearance and Themes**.
- 3 Select **Folder Options**.
- 4 On the **View** tab, clear the **Use simple file sharing (Recommended)** check box, and then click **OK**.
- 5 Click **Start**→ **Control Panel**.
- 6 Select **Performance and Maintenance**.
- 7 Select **Administrative Tools**.
- 8 Click **Local Security Policy**.
- 9 Click **Local Policies**→ **Security Options**.
- 10 Right-click **Network access: Sharing and security model for local accounts** and select **Properties**.
- 11 Ensure **Classic - local users authenticate as themselves** is selected.

Installing the Printer Driver


 **NOTE:** Installation is not supported on Windows XP Home Edition, Windows Vista Home Basic, Windows Vista Home Premium, Windows Vista Home Basic 64-bit Edition, Windows Vista Home Premium 64-bit Edition, Windows 7 Starter, Windows 7 Home Basic, Windows 7 Home Premium, Windows 7 Home Basic 64-bit Edition, Windows 7 Home Premium 64-bit Edition, Windows 8, Windows 8 64-bit Edition, Windows 8 Pro, Windows 8 Pro 64-bit Edition, and Windows Server 2012.

- 1 In the **Easy Setup Navigator** window, click **Software Installation** to launch the installation software.

- 2 Select **Network Installation**, and then click **Next**.
- 3 Select **Remote Installation**, and then click **Next**.
 - a Enter the computer name, user ID, and password, and then click **Add**.
 - b Click **Next**.

 **NOTE: Windows Security Alert** may appear on Windows Vista, Windows Vista 64-bit Edition, Windows Server 2008, Windows Server 2008 64-bit Edition, Windows Server 2008 R2, Windows 7, or Windows 7 64-bit Edition. In this case, select **Unblock (Allow access for Windows Server 2008 R2 and Windows 7)**, and then continue the procedure.

- 4 Select a printer from the printer list, and then click **Next**. If the target printer is not displayed on the list, click **Refresh** to refresh the list or click **Add Printer** to add a printer to the list manually. You may specify the IP address and port name at this point.


 **NOTE:** When using AutoIP, 0 . 0 . 0 . 0 is displayed in the installer. Before you continue, you must enter a valid IP address.

- 5 Specify the printer settings, and then click **Next**.
 - a Enter the printer name.
 - b If you want other users on the network to access this printer, select the **Share this printer with other computers on the network**, and then enter a share name that users can identify.
 - c If you want to set the printer as default, select the **Set this printer as default** check box.
 - d If you want to restrict color printing, select the appropriate **Dell ColorTrack** option. Enter the password when **Color-Password Enabled** is selected for **Dell ColorTrack**.
- 6 Select the software and documentation you want to install, and then click **Next**.
If you want to change the installation destination, click **Input** and specify a new location.

- 7 Click **Install**.

- 8 Click **Finish** to exit the wizard when the **Congratulations!** screen appears.

Use the **Dell Printer Configuration Web Tool** to monitor the status of your network printer without leaving your desk. You can view and/or change the printer settings, monitor toner level, and acknowledge the timing of ordering replacement consumables. You can click the Dell supplies link for ordering supplies.

 **NOTE:** The **Dell Printer Configuration Web Tool** is not available when the printer is directly connected to a computer or a print server.

To launch the **Dell Printer Configuration Web Tool**, type the printer's IP address in your web browser. The printer configuration appears on the screen.

You can set up the **Dell Printer Configuration Web Tool** to send you an e-mail when the printer needs supplies or intervention.

To set up e-mail alerts:


- 1 Launch the **Dell Printer Configuration Web Tool**.
- 2 Click **E-Mail Alert** link.
- 3 Under **E-Mail Server Settings**, enter the **Primary SMTP Gateway**, **Reply Address**, and your or key operator's e-mail address in the e-mail list box.
- 4 Click **Apply New Settings**.

 **NOTE: Connection pending until printer sends an alert** is displayed on the SMTP server until an error occurs.

Setting Up for Shared Printing

You can share your new printer on the network using the *Software and Documentation* disc that comes with your printer, or using Microsoft® point-and-print or peer-to-peer method. However, if you use one of the Microsoft methods, some features, such as the status monitor and other printer utilities, installed with the *Software and Documentation* disc, may not be available.

If you want to use the printer on a network, share the printer and install its drivers on all the computers on the network.

 **NOTE:** You need to purchase an Ethernet cable for shared printing.

Specifying the Shared Settings of the Printer

Windows XP, Windows XP 64-bit Edition, Windows Server 2003, or Windows Server 2003 x64 Edition

- 1 Click start→ Printers and Faxes.
- 2 Right-click the printer icon and select **Properties**.
- 3 On the Sharing tab, select the **Share this printer** check box, and then type a name in the **Share name** text box.
- 4 Click **Additional Drivers** and select the operating systems of all network clients that print to the printer.
- 5 Click **OK**.

If you are missing files, you are prompted to insert the server operating system CD.

Windows Vista or Windows Vista 64-bit Edition

- 1 Click Start→ Control Panel→ Hardware and Sound→ Printers.
- 2 Right-click the printer icon and select **Sharing**.
- 3 Click **Change sharing options**.
The message *Windows needs your permission to continue* appears.
- 4 Click **Continue**.
- 5 Select the **Share this printer** check box, and then type a name in the **Share name** text box.
- 6 Click **Additional Drivers** and select the operating systems of all network clients that print to the printer.
- 7 Click **OK**.

Windows Server 2008 or Windows Server 2008 64-bit Edition

- 1 Click Start→ Control Panel→ Printers.
- 2 Right-click the printer icon and select **Sharing**.
- 3 Click **Change Sharing Options** if exists.
- 4 Select the **Share this printer** check box, and then type a name in the **Share name** text box.
- 5 Click **Additional Drivers** and select the operating systems of all network clients that print to the printer.
- 6 Click **OK**.

Windows 7, Windows 7 64-bit Edition, or Windows Server 2008 R2

- 1 Click Start→ Devices and Printers.
- 2 Right-click the printer icon and select **Printer properties**.
- 3 On the **Sharing** tab, click **Change Sharing Options** if exists.
Select the **Share this printer** check box, and then type a name in the **Share name** text box.

- 4 Click **Additional Drivers** and select the operating systems of all network clients that print to the printer.
- 5 Click **Apply**, and then click **OK**.

Windows 8, Windows 8 64-bit Edition, or Windows Server 2012

- 1 Under Desktop mode, right-click the bottom left corner of the screen, and then click **Control Panel** → **Hardware and Sound** (**Hardware** for Windows Server 2012) → **Devices and Printers**.
- 2 Right-click the printer icon and select **Printer properties**.
- 3 On the **Sharing** tab, click **Change Sharing Options** if exists.
- 4 Select the **Share this printer** check box, and then type a name in the **Share name** text box.
- 5 Click **Additional Drivers** and select the operating systems of all network clients using this printer.
- 6 Click **Apply**, and then click **OK**.

To confirm that the printer is properly shared:

- Ensure that the printer object in the **Printers, Printers and Faxes**, or **Devices and Printers** folder is shared. The shared icon is shown under the printer icon.
- Browse **Network** or **My Network Places**. Find the host name of the server and the shared name you assigned to the printer.

Now that the printer is shared, you can install the printer on network clients using the point and print method or the peer-to-peer method.



NOTE: If the OS bit editions (32/64 bit edition) differ between a print server and a client computer, you need to manually add the printer driver for the client computer edition on the server. Otherwise, the printer driver cannot be installed on the client computer using the point and print or peer-to-peer method. For example, if the print server runs on Windows XP 32-bit edition, while the client computer runs on Windows 7 64-bit edition, follow the procedures below to additionally install the printer driver for 64-bit client on the 32-bit server.

- a Click **Additional Drivers** on the screen for sharing printers.
For details about how to display this screen, see "Specifying the Shared Settings of the Printer."
- b Select the **x64** check box, and then click **OK**.
- c Insert the *Software and Documentation* disc into your computer.
- d Click **Browse** to specify the folder that contains the 64-bit OS driver, and then click **OK**.
Installation starts.

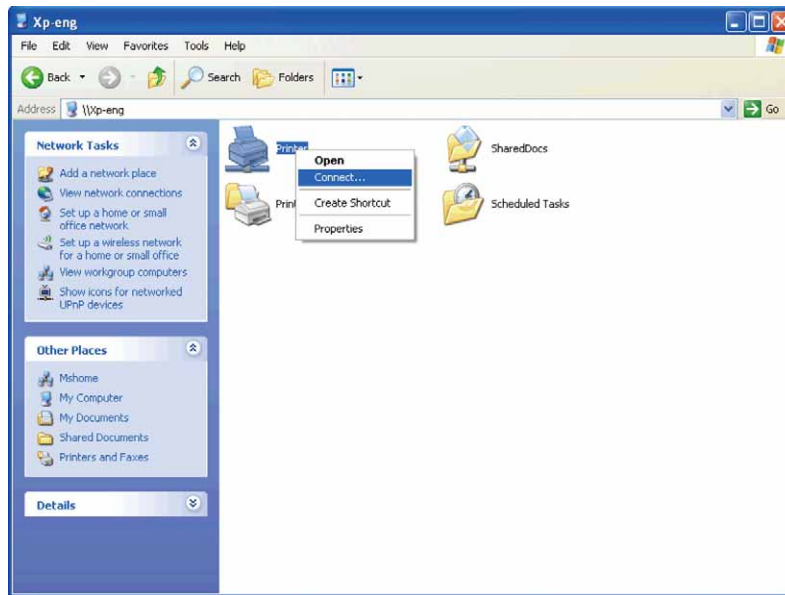
Point and Print

Point and Print is a Microsoft Windows technology that allows you to connect to a remote printer. This feature automatically downloads and installs the printer driver.

Windows XP, Windows XP 64-bit Edition, Windows Server 2003, or Windows Server 2003 x64 Edition

- 1 On the Windows desktop of the client computer, double-click **My Network Places**.
- 2 Locate the host name of the server computer, and then double-click the host name.

- 3 Right-click the shared printer name, and then click **Connect**.



Wait for the driver information to be copied from the server computer to the client computer, and for a new printer object to be added to the **Printers and Faxes** folder. The copy time varies, based on network traffic and other factors.

- 4 Close **My Network Places**.
- 5 Print a test page to verify installation.
 - a Click **start**→ **Printers and Faxes**.
 - b Select the printer you just created.
 - c Click **File**→ **Properties**.
 - d On the **General** tab, click **Print Test Page**.When a test page prints successfully, installation is complete.

Windows Vista or Windows Vista 64-bit Edition

- 1 On the Windows desktop of the client computer, click **Start**→ **Network**.
- 2 Locate the host name of the server computer, and then double-click the host name.
- 3 Right-click the shared printer name, and then click **Connect**.
- 4 Click **Install driver**.
- 5 Click **Continue** in the **User Account Control** dialog box.
- 6 Wait for the driver information to be copied from the server computer to the client computer, and for a new printer object to be added to the **Printers** folder. The time this takes varies, based on network traffic and other factors.
- 7 Print a test page to verify installation.
 - a Click **Start**→ **Control Panel**→ **Hardware and Sound**.
 - b Select **Printers**.
 - c Right-click the printer you just created and click **Properties**.
 - d On the **General** tab, click **Print Test Page**.When a test page prints successfully, installation is complete.

Windows Server 2008 or Windows Server 2008 64-bit Edition

- 1 On the Windows desktop of the client computer, click **Start**→ **Network**.
- 2 Locate the host name of the server computer, and then double-click the host name.
- 3 Right-click the shared printer name, and then click **Connect**.
- 4 Click **Install driver**.
- 5 Wait for the driver information to be copied from the server computer to the client computer, and for a new printer object to be added to the **Printers** folder. The time this takes varies, based on network traffic and other factors.
- 6 Print a test page to verify installation.
 - a Click **Start**→ **Control Panel**.
 - b Select **Printers**.
 - c Right-click the printer you just created and select **Properties**.
 - d On the **General** tab, click **Print Test Page**.When a test page prints successfully, installation is complete.

Windows 7, Windows 7 64-bit Edition, or Windows Server 2008 R2

- 1 On the Windows desktop of the client computer, click **Start**→ your user name→ **Network** (**Start**→ **Network** for Windows Server 2008 R2).
- 2 Locate the host name of the server computer, and then double-click the host name.
- 3 Right-click the shared printer name, and then click **Connect**.
- 4 Click **Install driver**.
- 5 Wait for the driver information to be copied from the server computer to the client computer, and for a new printer object to be added to the **Devices and Printers** folder. The time this takes varies, based on network traffic and other factors.
- 6 Print a test page to verify installation.
 - a Click **Start**→ **Devices and Printers**.
 - b Right-click the printer you just created and select **Printer properties**.
 - c On the **General** tab, click **Print Test Page**.When a test page prints successfully, installation is complete.

Windows 8, Windows 8 64-bit Edition, or Windows Server 2012

- 1 Point to the top or bottom right corner of the screen, and then click **Search** → Type **Network** in the search box, click **Apps**, and then click **Network**.
- 2 Locate the host name of the server computer, and then double-click the host name.
- 3 Right-click the shared printer name, and then click **Connect**.
- 4 Click **Install driver**.
- 5 Wait for the driver information to be copied from the server computer to the client computer, and for a new printer object to be added to the **Devices and Printers** folder. The time this takes varies, based on network traffic and other factors.
- 6 Print a test page to verify installation.
 - a Under Desktop mode, right-click the bottom left corner of the screen, and then click **Control Panel** → **Hardware and Sound** (**Hardware** for Windows Server 2012) → **Devices and Printers**.
 - b Right-click the printer you just created and select **Printer properties**.

- c On the **General** tab, click **Print Test Page**.

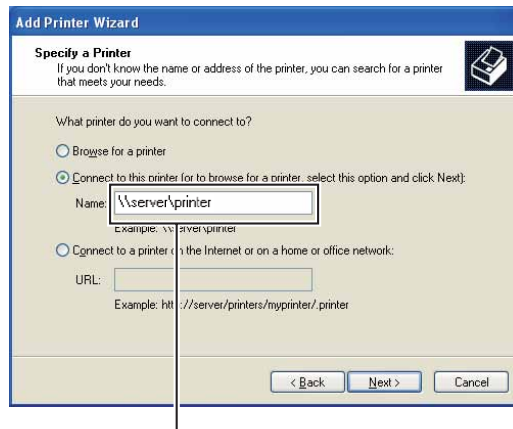
When a test page is printed successfully, installation is complete.

Peer-to-Peer

If you use the peer-to-peer method, the printer driver is fully installed on each client computer. Network clients retain control of driver modifications. The client computer handles the print job processing.

Windows XP, Windows XP 64-bit Edition, Windows Server 2003, or Windows Server 2003 x64 Edition

- 1 Click **start**→ **Printers and Faxes**.
- 2 Click **Add a Printer**.
- 3 Click **Next**.
- 4 Select **A network printer, or a printer attached to another computer**, and then click **Next**. If the printer is not listed, type the path to the printer in the text box.



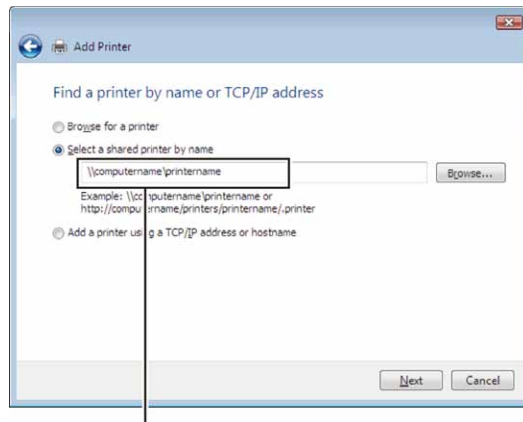
For example: \\<server host name>\<shared printer name>

The server host name is the name of the server computer that identifies it on the network. The shared printer name is the name assigned during the server installation process.

- 5 Click **Browse for a printer**, and then click **Next**.
If this is a new printer, you may be prompted to install a printer driver. If no system driver is available, you need to specify the path to available drivers.
- 6 Select **Yes** if you want this printer to be set as the default printer, and then click **Next**.
If you want to verify installation, click **Yes** to print a test page.
- 7 Click **Finish**.
When a test page prints successfully, installation is complete.

Windows Vista or Windows Vista 64-bit Edition

- 1 Click **Start**→ **Control Panel**→ **Hardware and Sound**→ **Printers**.
- 2 Click **Add a Printer** to launch the **Add Printer** wizard.
- 3 Select **Add a network, wireless or Bluetooth printer**, and then click **Next**. If the printer is listed, select the printer and click **Next**, or select **The printer that I want isn't listed** and type in the path of the printer in the **Select a shared printer by name** text box and click **Next**.



For example: \\<server host name>\<shared printer name>

The server host name is the name of the server computer that identifies it on the network. The shared printer name is the name assigned during the server installation process.

If this is a new printer, you may be prompted to install a printer driver. If no system driver is available, you need to specify the path to available drivers.

- 4 Select **Yes** if you want this printer to be set as the default printer, and then click **Next**.
- 5 If you want to verify installation, click **Print a test page**.
- 6 Click **Finish**.

When a test page prints successfully, installation is complete.

Windows Server 2008 or Windows Server 2008 64-bit Edition

- 1 Click **Start**→ **Control Panel**→ **Printers**.
- 2 Click **Add a Printer**.
- 3 Select **Add a network, wireless or Bluetooth printer**, and then click **Next**. If the printer is listed, select the printer and click **Next**, or select **The printer that I want isn't listed** and type the path to the printer in the **Select a shared printer by name** text box and click **Next**.

For example: \\<server host name>\<shared printer name>

The server host name is the name of the server computer that identifies it on the network. The shared printer name is the name assigned during the server installation process.

If this is a new printer, you may be prompted to install a printer driver. If no system driver is available, then you will need to provide a path to available drivers.

- 4 Select **Yes** if you want this printer to be set as the default printer, and then click **Next**.
- 5 Click **Print a test page** if you want to verify installation.
- 6 Click **Finish**.

When a test page prints successfully, installation is complete.

Windows 7, Windows 7 64-bit Edition, or Windows Server 2008 R2

- 1 Click **Start** → **Devices and Printers**.
- 2 Click **Add a Printer**.
- 3 Select **Add a network, wireless or Bluetooth printer**. If the printer is listed, select the printer and click **Next**, or select **The printer that I want isn't listed**. Click **Select a shared printer by name** and type in the path of the printer in the text box, and then click **Next**.

For example: \\<server host name>\<shared printer name>

The server host name is the name of the server computer that identifies it to the network. The shared printer name is the name assigned during the server installation process.

If this is a new printer, you may be prompted to install a printer driver. If no system driver is available, then you will need to provide the path to the available driver.

- 4 Confirm the printer name, and then click **Next**.
- 5 Select **Yes** if you want this printer to be set as the default printer, and then click **Next**.
- 6 Click **Print a test page** if you want to verify installation.
- 7 Click **Finish**.

When a test page prints successfully, installation is complete.

Windows 8, Windows 8 64-bit Edition, or Windows Server 2012

- 1 Under Desktop mode, right-click the bottom left corner of the screen, and then click **Control Panel** → **Hardware and Sound (Hardware for Windows Server 2012)** → **Devices and Printers**.
- 2 Click **Add a Printer** to launch the **Add Printer** wizard.
- 3 If the printer is listed, select the printer and click **Next**, or select **The printer that I want isn't listed**. Click **Select a shared printer by name** and type in the path of the printer in the text box, and then click **Next**.

For example: \\<server host name>\<shared printer name>

The server host name is the name of the server computer that identifies it to the network. The shared printer name is the name assigned during the server installation process.

If this is a new printer, you may be prompted to install a printer driver. If no system driver is available, then you will need to provide the path to the available driver.

- 4 Confirm the printer name, and then click **Next**.
- 5 Select **Yes** if you want this printer to be set as the default printer, and then click **Next**.
- 6 Click **Print a test page** if you want to verify installation.
- 7 Click **Finish**.

When a test page is printed successfully, installation is complete.

Installing Printer Drivers on Macintosh Computers

Installing the Drivers and Software

- 1 Run the *Software and Documentation* disc on the Macintosh computer.
- 2 Double-click the **Dell C3760 Installer** icon, and then click **Continue**.
- 3 When the popup dialog box prompts you for confirming the program included in the installation package, click **Continue**.
- 4 Click **Continue** on the **Important Information** screen.
- 5 Select a language for the Software License Agreement.
- 6 After reading the Software License Agreement, click **Continue**.
- 7 If you agree to the terms of the Software License Agreement, click **Agree** to continue the installation process.
- 8 Confirm the installation location.
- 9 Click **Install** to perform the standard installation.
If you want to select a custom installation, click **Customize** to select items that you want to install.
 - Dell C3760 Printer Driver
 - Dell Printer Status Monitor
- 10 Type the administrator's name and password, and then click **OK** (**Install Software** for Mac OS X 10.7 and Mac OS X 10.8).
- 11 When the installation is complete, click **Close**.


Adding a Printer on Mac OS X 10.5, 10.6, 10.7, or 10.8

When Using a USB connection

- 1 Turn on the printer.
- 2 Connect the USB cable between the printer and the Macintosh computer.
The printer is automatically added to your Macintosh computer.

When Using IP Printing

- 1 Turn on the printer.
- 2 Ensure that Macintosh computer and the printer are connected.
If you use wired connection, connect the LAN cable between the printer and the network.
If you use wireless connection, ensure that wireless connection is configured properly on your Macintosh computer and the printer.
- 3 Open the **System Preferences**, and click **Print & Fax** (**Print & Scan** for Mac OS X 10.7 and Mac OS X 10.8).
- 4 Click the Plus (+) sign, and click **IP**.
- 5 Select **Line Printer Daemon - LPD** for Protocol.
- 6 Type the IP address for the printer in the **Address** area.
- 7 Select **Dell C3760dn Color Laser** for **Print Using**.

 **NOTE:** When printing is set up using IP printing, the queue name is displayed as blank. You do not need to specify it.


- 8 Click **Add**.
- 9 Specify the options that have been installed on the printer, and then click **Continue**.
- 10 Confirm that the printer is displayed in the **Print & Fax** (**Print & Scan** for Mac OS X 10.7 and Mac OS X 10.8) dialog box.

When Using Bonjour


- 1 Turn on the printer.
- 2 Ensure that Macintosh computer and the printer are connected.
If you use wired connection, connect the LAN cable between the printer and the network.
If you use wireless connection, ensure that wireless connection is configured properly on your Macintosh computer and the printer.
- 3 Open the **System Preferences**, and click **Print & Fax** (**Print & Scan** for Mac OS X 10.7 and Mac OS X 10.8).
- 4 Click the Plus (+) sign, and click **Default**.
- 5 Select the printer connected via Bonjour from the **Printer Name** list.
- 6 **Name** and **Print Using** (Use for Mac OS X 10.8) are automatically entered.
- 7 Click **Add**.
- 8 Specify the options that have been installed on the printer, and then click **Continue**.
- 9 Confirm that the printer is displayed in the **Print & Fax** (**Print & Scan** for Mac OS X 10.7 and Mac OS X 10.8) dialog box.



Adding a Printer on Mac OS X 10.4.11

When Using a USB Connection

- 1 Turn on the printer.
- 2 Connect the USB cable between the printer and the Macintosh computer.
- 3 Start **Printer Setup Utility**.
 **NOTE:** You can find **Printer Setup Utility** in the **Utilities folder** in **Applications**.
- 4 Click **Add**.
- 5 Click **Default Browser** in the **Printer Browser** dialog box.
- 6 Select the printer connected via USB from the Printer list.
- 7 **Name** and **Print Using** are automatically entered.
- 8 Click **Add**.

When Using IP Printing


- 1 Turn on the printer.
- 2 Ensure that Macintosh computer and the printer are connected.
If you use wired connection, connect the LAN cable between the printer and the network.
If you use wireless connection, ensure that wireless connection is configured properly on your Macintosh computer and the printer.
- 3 Start **Printer Setup Utility**.
 **NOTE:** You can find **Printer Setup Utility** in the **Utilities folder** in **Applications**.
- 4 Click **Add**.

- 5 Click **IP Printer** in the **Printer Browser** dialog box.
- 6 Select **Line Printer Daemon - LPD** for **Protocol**.
- 7 Type the IP address for the printer in the **Address** area.
- 8 Select **Dell C3760dn Color Laser** for **Print Using**.
 -  **NOTE:** When printing is set up using IP printing, the queue name is displayed as blank. You do not need to specify it.
 -  **NOTE:** Entry of **Location** is optional.
- 9 Click **Add**.

When Using Bonjour


- 1 Turn on the printer.
- 2 Ensure that Macintosh computer and the printer are connected.

If you use wired connection, connect the LAN cable between the printer and the network.

If you use wireless connection, ensure that wireless connection is configured properly on your Macintosh computer and the printer.
- 3 Start the **Printer Setup Utility**.
 -  **NOTE:** You can find **Printer Setup Utility** in the **Utilities folder** in **Applications**.
- 4 Click **Add**.
- 5 Click **Default Browser** in the **Printer Browser** dialog box.
- 6 Select the printer connected via Bonjour from the **Printer Name** list.
- 7 **Name** and **Print Using** are automatically entered.
- 8 Click **Add**.
- 9 Specify the options installed to the printer, and then click **Continue**.
- 10 Confirm that the printer is displayed on the **Printer** list dialog box.

Adding a Printer on Mac OS X 10.3.9

When Using a USB connection

- 1 Turn on the printer.
- 2 Connect the USB cable between the printer and the Macintosh computer.
- 3 Start **Printer Setup Utility**.
 -  **NOTE:** You can find **Printer Setup Utility** in the **Utilities folder** in **Applications**.
- 4 Click **Add**.
- 5 Select **USB** from the menu.

The **Printer Model** is automatically selected.
- 6 Click **Add**.

When Using IP Printing

1 Turn on the printer.

2 Ensure that Macintosh computer and the printer are connected.

If you use wired connection, connect the LAN cable between the printer and the network.

If you use wireless connection, ensure that wireless connection is configured properly on your Macintosh computer and the printer.

3 Start **Printer Setup Utility**.

 **NOTE:** You can find **Printer Setup Utility** in the **Utilities folder** in **Applications**.


4 Click **Add** in the **Printer List** dialog box.

5 Select **IP Printing** from the menu.

6 Select **LPD/LPR** for **Printer Type**.

7 Type the IP address for the printer in the **Address** area.

8 Select **Dell** for **Printer Model**, and select **Dell C3760dn Color Laser**.

 **NOTE:** When printing is set up using IP printing, the queue name is displayed as blank. You do not need to specify it.

9 Click **Add**.

When Using Rendezvous (Bonjour)

1 Turn on the printer.

2 Ensure that Macintosh computer and the printer are connected.

If you use wired connection, connect the LAN cable between the printer and the network.

If you use wireless connection, ensure that wireless connection is configured properly on your Macintosh computer and the printer.

3 Start **Printer Setup Utility**.

 **NOTE:** You can find **Printer Setup Utility** in the **Utilities folder** in **Applications**.

4 Click **Add** in the **Printer List** dialog box.

5 Select **Rendezvous** from the menu.

6 Select **Dell** for **Printer Model**, and select **Dell C3760dn Color Laser**.

7 Click **Add**.

Configuring Settings

All the optional accessories are verified as installed.

Mac OS X 10.5, 10.6, 10.7, or 10.8

- 1 Open the **System Preferences**, and click **Print & Fax** (**Print & Scan** for Mac OS X 10.7 and Mac OS X 10.8).
- 2 Select the printer in the **Printer Name** list, and click **Options & Supplies**.
- 3 Select **Driver**, and select the options that have been installed in the printer, and then click **OK**.

Mac OS X 10.3.9 or 10.4.11

- 1 Start **Printer Setup Utility**.
- 2 Select the printer in the **Printer List** dialog box, and click **Show Info**.
- 3 Select **Installable Options**, and select the options that have been installed in the printer, and then click **Apply Changes**.

Installing Printer Drivers on Linux Computers (CUPS)

This section provides information for installing or setting up the printer driver with CUPS (Common UNIX Printing System) on Red Hat® Enterprise Linux® 5/6 Desktop or SUSE® Linux Enterprise Desktop 10/11.

Operation on Red Hat Enterprise Linux 5/6 Desktop

Setup Overview

Red Hat Enterprise Linux 5/6 Desktop:

- 1 Install the printer driver.
- 2 Set up the print queue.
- 3 Specify the default queue.
- 4 Specify the printing options.

Installing the Printer Driver

 **CAUTION:** Before you install the printer driver on Red Hat Enterprise Linux 5, confirm that Update 6 or higher is applied to your operating system. Consult your Linux distributor for the upgrade of your system.

- 1 Select Applications→ System Tools (Accessories for Red Hat Enterprise Linux 5 Desktop)→ Terminal.
- 2 Type the following command in the terminal window.

```
su
(Type the administrator password)
rpm -ivh (Type the file path)/Dell-C3760-Color-
Laser-x.x-x.noarch.rpm
```

The printer driver is installed.

Setting Up the Queue

To execute printing, you must set up the print queue on your workstation.

For Red Hat Enterprise Linux 5 Desktop:

- 1 Open the URL "http://localhost:631" using a web browser.
- 2 Click **Administration**.
- 3 Click **Add Printer**.

Type the name of the printer in the **Name** box in the **Add New Printer** window, and click **Continue**.

You can optionally specify the location and description of the printer for further information.

For network connections:

- a Select **LPD/LPR Host or Printer** from the **Device** menu, and click **Continue**.
- b Type the IP address of the printer in **Device URI**, and click **Continue**.
Format: lpd://xxx.xxx.xxx.xxx (the IP address of the printer)

For USB connections:

- a Select **Dell C3760dn Color Laser USB #1**, **Dell C3760dn Color Laser**, **Dell C3760n Color Laser USB #1**, or **Dell C3760n Color Laser** from the **Device** menu, and click **Continue**.
- 4 Select **Dell C3760dn Color Laser PS vx.x (en)** or **Dell C3760n Color Laser PS vx.x (en)** from the **Model** menu, and click **Add Printer**.
- 5 Type **root** as the user name, type the administrator password, and click **OK**.
The message **Printer xxx has been added successfully.** appears.

The setup is complete.

For Red Hat Enterprise Linux 6 Desktop:

- 1 Open the URL "**http://localhost:631**" using a web browser.
- 2 Click **Administration**.
- 3 Click **Add Printer**.
- 4 Type **root** as the user name, type the administrator password, and click **OK**.

For network connections:

- a Select **LPD/LPR Host or Printer** from the **Other Network Printers** menu, and click **Continue**.
- b Type the IP address of the printer in **Connection**, and click **Continue**.
Format: **lpd://xxx.xxx.xxx.xxx** (the IP address of the printer)

For USB connections:

- a Select **Dell C3760dn Color Laser** or **Dell C3760n Color Laser** from the **Local Printers** menu, and click **Continue**.
- 5 Type the name of the printer in the **Name** box in the **Add Printer** window, and click **Continue**.
You can optionally specify the location and description of the printer for further information.
- 6 Select **Dell C3760dn Color Laser PS vx.x (en)** or **Dell C3760n Color Laser PS vx.x (en)** from the **Model** menu, and click **Add Printer**.

The setup is complete.

Printing From the Applications

When you have finished setting up the queue, you can print jobs from the applications. Start the print job from the application, and specify the queue in the print dialog box.

However, sometimes you can print only from the default queue depending on the application (for example Mozilla). In these cases, before you start printing, set queue you want to print to as the default queue. For information on specifying the default queue, see "Setting the Default Queue."

Setting the Default Queue

- 1 Select **Applications**→**System Tools (Accessories for Red Hat Enterprise Linux 5 Desktop)**→**Terminal**.
- 2 Type the following command in the terminal window.

```
su
(Type the administrator password)
lpadmin -d (Type the queue name)
```


Specifying the Printing Options

You can specify the printing options such as color mode.

For Red Hat Enterprise Linux 5 Desktop:

- 1 Open the URL "<http://localhost:631>" using a web browser.
 - 2 Click **Administration**.
 - 3 Click **Manage Printers**.
 - 4 Click **Set Printer Options** of the printer for which you want to specify the printing options.
 - 5 Specify the required settings, and click **Set Printer Options**.
 - 6 Type **root** as the user name, and type the administrator password.
- The message **Printer xxx has been configured successfully** appears.

The setting is complete.

For Red Hat Enterprise Linux 6 Desktop:

- 1 Open the URL "<http://localhost:631>" using a web browser.
 - 2 Click **Administration**.
 - 3 Click **Manage Printers**.
 - 4 Click the queue name for which you want to specify the printing options.
 - 5 Select **Set Default Options** from the **Administration** menu.
 - 6 Click the desired setting item, specify the required settings, and click **Set Default Options**.
- The message **Printer xxx default options have been set successfully** appears.

The setting is complete.

Uninstalling the Printer Driver

- 1 Select **Applications**→**System Tools** (Accessories for Red Hat Enterprise Linux 5 Desktop)→**Terminal**.
- 2 Type the following command in the terminal window to delete the print queue.

```
su
(Type the administrator password)
/usr/sbin/lpadmin -x (Type the print queue name)
```

- 3 Repeat the command above for all queues for the same model.
- 4 Type the following command in the terminal window.

```
su
(Type the administrator password)
rpm -e Dell-C3760-Color-Laser
```

The printer driver is uninstalled.

Operation on SUSE Linux Enterprise Desktop 10

Setup Overview

SUSE Linux Enterprise Desktop 10:

- 1 Install the printer driver.
- 2 Set up the print queue.
- 3 Specify the default queue.
- 4 Specify the printing options.

Installing the Printer Driver

- 1 Select **Computer**→**More Applications...** and select **Gnome Terminal** on the Application Browser.
- 2 Type the following command in the terminal window.

```
su
(Type the administrator password)
rpm -ivh (Type the file path)/Dell-C3760-Color-
Laser-x.x-x.noarch.rpm
```

The printer driver is installed.

Setting Up the Queue

To execute printing, you must set up the print queue on your workstation.

- 1 Select **Computer**→**More Applications...** and select **YaST** on the Application Browser.
- 2 Type the administrator password, and click **Continue**.
YaST Control Center is activated.

- 3 Select **Hardware** on YaST Control Center, and select **Printer**.

The **Printer Configuration** dialog box appears.


For network connections:

- a Click **Add**.
- b Select **Network Printers** as **Printer Type**, and click **Next**.
- c Select **Print via LPD-Style Network Server** as **Network Printers**, and click **Next**.
- d Type the IP address of the printer in **Hostname of Print Server**.
- e Type the name of the printer queue in **Remote Queue Name**, and click **Next**.
- f Type the printer name in **Name for Printing**.

 **NOTE:** **Printer Description** and **Printer Location** do not have to be specified.

- g Select the **Do Local Filtering** check box, and click **Next**.
- h Select **DELL** as **Manufacturer**. Select **C3760dn Color Laser** or **C3760n Color Laser** as **Model**, and click **Next**.
- i Confirm the settings in **Configuration**, and click **OK**.

For USB connections:

- a Click **Add**.
 - b Select **Directly Connected Printers** as **Printer Type**, and click **Next**.
 - c Select **USB Printer** as **Directly Connected Printers**, and click **Next**.
 - d Select **//Dell/C3760dn Color Laser** or **//Dell/C3760n Color Laser** as **Device**, and click **Next**.
 - e Type the printer name in **Name for Printing**.
-  **NOTE:** **Printer Description** and **Printer Location** do not have to be specified.
- f Select the **Do Local Filtering** check box, and click **Next**.
 - g Select **DELL** as **Manufacturer**. Select **C3760dn Color Laser** or **C3760n Color Laser** as **Model**, and click **Next**.
 - h Confirm the settings in **Configuration**, and click **OK**.
- 4 Click **Finish**.

Printing From the Applications

When you have finished setting up the queue you can print jobs from the applications. Start the print job from the application, and specify the queue in the print dialog box.

However, sometimes you can print only from the default queue depending on the application (for example Mozilla). In these cases, before you start printing, set queue you want to print to as the default queue. For information on specifying the default queue, see "Setting the Default Queue."


Setting the Default Queue

- 1 To activate the **Printer setup: Autodetected printers**, do the following.
 - a Select **Computer**→**More Applications...** and select **YaST** on the Application Browser.
 - b Type the administrator password, and click **Continue**.
YaST Control Center is activated.
 - c Select **Hardware** on **YaST Control Center**, and select **Printer**.
- 2 Select the printer you want to set to default on the **Printer Configuration**, and select **Set Default** in the **Other** button menu.
- 3 Click **Finish**.

Specifying the Printing Options

You can specify the printing options such as color mode.

- 1 Open a web browser.
- 2 Type **http://localhost:631/admin** in **Location**, and press <Enter>.
- 3 Type **root** as the user name, and type the administrator password.
The **CUPS** window appears.

 **NOTE:** Set the password for authority as the printer administrator before setting the printer queue. If you have not set it, go to "Setting the Password for Authority as the Printer Administrator."

- 4 Click **Manage Printers**.
- 5 Specify the required settings, and click **Continue**.
The message **Printer xxx has been configured successfully.** appears.
The setting is complete. Execute printing from the application.

Setting the Password for Authority as the Printer Administrator

You must set the password for authority as the printer administrator to do operations as the printer administrator.

- 1 Select **Computer**→**More Applications...** and select **Gnome Terminal** on the Application Browser.
- 2 Type the following command in the terminal window.

```
su
(Type the administrator password)
lppasswd -g sys -a root
(Type the password for authority as the printer administrator after
the Enter password prompt.)
(Retype the password for authority as the printer administrator after
the Enter password again prompt.)
```

Uninstalling the Printer Driver

- 1 Select **Computer**→**More Applications...** and select **Gnome Terminal** on the Application Browser.
- 2 Type the following command in the terminal window to delete the print queue.

```
su
(Type the administrator password)
/usr/sbin/lpadm -x (Type the printer queue name)
```

- 3 Repeat the command above for all queues for the same model.
- 4 Type the following command in the terminal window.

```
su
(Type the administrator password)
rpm -e Dell-C3760-Color-Laser
```

The printer driver is uninstalled.

Operation on SUSE Linux Enterprise Desktop 11

Setup Overview

SUSE Linux Enterprise Desktop 11:

- 1 Install the printer driver.
- 2 Set up the print queue.
- 3 Specify the default queue.
- 4 Specify the printing options.

Installing the Printer Driver

- 1 Select **Computer**→**More Applications...** and select **GNOME Terminal** on the Application Browser.
- 2 Type the following command in the terminal window.

```
su
(Type the administrator password)
rpm -ivh (Type the file path)/Dell-C3760-Color-
Laser-x.x-x.noarch.rpm
```

The printer driver is installed.

Setting Up the Queue


To execute printing, you must set up the print queue on your workstation.

- 1 Select **Computer**→**More Applications...**, and select **YaST** on the Application Browser.
- 2 Type the administrator password, and click **Continue**.
YaST Control Center is activated.
- 3 Select **Hardware** on **YaST Control Center**, and select **Printer**.

The **Printer Configurations** dialog box opens.

For network connections:


- a Click **Add**.
The **Add New Printer Configuration** dialog box opens.
- b Click **Connection Wizard**.
The **Connection Wizard** dialog box opens.
- c Select **Line Printer Daemon (LPD) Protocol** from **Access Network Printer or Printserver Box** via.
- d Type the IP address of the printer in **IP Address or Host Name**:
- e Select **Dell** in the **Select the printer manufacturer**: drop-down menu.
- f Click **OK**.
The **Add New Printer Configuration** dialog box appears.
- g Select **Dell C3760dn Color Laser PS vx.x [Dell/Dell_C3760dn_Color_Laser.ppd.gz]** or **Dell C3760n Color Laser PS vx.x [Dell/Dell_C3760n_Color_Laser.ppd.gz]** from the **Assign Driver** list.

 **NOTE:** You can specify the printer name in **Set Name**:

- h Confirm the settings, and click **OK**.

For USB connections:

- a Click **Add**.
The **Add New Printer Configuration** dialog box opens.
The printer name is displayed in the **Determine Connection** list.
- b Select **Dell C3760dn Color Laser PS vx.x [Dell/Dell_C3760dn_Color_Laser.ppd.gz]** or **Dell C3760n Color Laser PS vx.x [Dell/Dell_C3760n_Color_Laser.ppd.gz]** from the **Assign Driver** list.

 **NOTE:** You can specify the printer name in **Set Name**:

- c Confirm the settings, and click **OK**.

Printing From the Applications

When you have finished setting up the queue you can print jobs from the applications. Start the print job from the application, and specify the queue in the print dialog box.

However, sometimes you can print only from the default queue depending on the application (for example Mozilla). In these cases, before you start printing, set queue you want to print to as the default queue. For information on specifying the default queue, see "Setting the Default Queue."

Setting the Default Queue

You can set the default queue when you add the printer.

- 1 Select **Computer**→ **More Applications...**, and select **YaST** on the Application Browser.
- 2 Type the administrator password, and click **Continue**.
YaST Control Center is activated.
- 3 Select **Hardware** on **YaST Control Center**, and select **Printer**.
The **Printer Configurations** dialog box opens.
- 4 Click **Edit**.
A dialog box to modify the specified queue opens.
- 5 Confirm that the printer you want to set is selected in the **Connection** list.
- 6 Select the **Default Printer** check box.
- 7 Confirm the settings, and click **OK**.

Specifying the Printing Options

You can specify the printing options such as color mode.

- 1 Open a web browser.
- 2 Type `http://localhost:631/admin` in **Location**, and press <Enter>.
- 3 Click **Manage Printers**.
- 4 Click **Set Printer Options** of the printer for which you want to specify the printing options.
- 5 Specify the required settings, and click **Set Printer Options**.
- 6 Type `root` as the user name, type the administrator password, and click **OK**.



NOTE: Set the password for authority as the printer administrator before setting the printer queue. If you have not set it, go to "Setting the Password for Authority as the Printer Administrator."

The message **Printer xxx has been configured successfully.** appears.

The setting is complete. Execute printing from the application.

Setting the Password for Authority as the Printer Administrator

You must set the password for authority as the printer administrator to do operations as the printer administrator.

- 1 Select **Computer**→**More Applications...** and select **GNOME Terminal** on the Application Browser.
- 2 Type the following command in the terminal window.

```
su
(Type the administrator password)
lppasswd -g sys -a root
(Type the password for authority as the printer administrator after
the Enter password prompt.)
(Retype the password for authority as the printer administrator after
the Enter password again prompt.)
```

Uninstalling the Printer Driver

- 1 Select **Computer**→**More Applications...** and select **GNOME Terminal** on the Application Browser.
- 2 Type the following command in the terminal window to delete the print queue.

```
su
(Type the administrator password)
/usr/sbin/lpadmin -x (Type the printer queue name)
```

- 3 Repeat the command above for all queues for the same model.
- 4 Type the following command in the terminal window.

```
su
(Type the administrator password)
rpm -e Dell-C3760-Color-Laser
```

The printer driver is uninstalled.

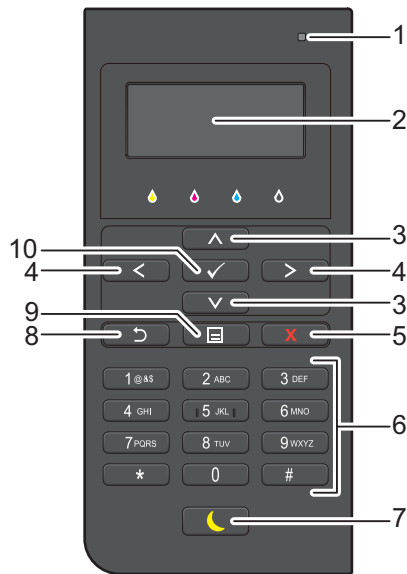
Using Your Printer

13 Operator Panel	117
14 Dell™ Printer Configuration Web Tool.....	121
15 Understanding the Tool Box Menus.....	171
16 Understanding the Printer Menus.....	187
17 Print Media Guidelines.....	229
18 Loading Print Media	235

Operator Panel


About the Operator Panel

The operator panel has a 4-line LCD panel, a status LED, control buttons, and a number pad, which allows you to control the printer.



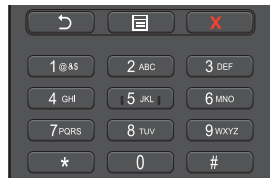
- 1** Status LED (Ready / Error)
 - Shows a green light when the printer is ready and a blinking green light when data is being received.
 - Shows an amber light when an error occurs and a blinking amber light when an unrecoverable print error occurs.
- 2** LCD Panel
 - Displays various settings, instructions, and error messages.
- 3** ^ v button
 - Moves the cursor or highlight up or down.
- 4** < > button
 - Moves the cursor or highlight right or left.
- 5** X (Cancel) button
 - Cancels active or pending jobs.
- 6** Number Pad
 - Enters numbers and characters.
- 7** ☾ (Power Saver) button
 - Enters or exits the Power Saver mode. When the machine is not used for a while, it enters the Power Saver mode to reduce power consumption. When the Power Saver mode is active, the Power Saver button blinks.

- 8 ↶ (Back) button
 - Returns to the previous screen.
- 9 ☰ (Menu) button
 - Moves to the top level of the menu.
- 10 ✓ (Set) button
 - Confirms the entry of values.

 **NOTE:** Moving to a different menu or returning to a previous screen cancels the current entry or setting. Make sure to press the ✓ (Set) button to save the current entry or setting.

Using the Number Pad

As you perform various tasks, you may need to enter characters and numbers. For example, when you enter the password or when you setup wireless network.



Number Pad Letters and Numbers

Key	Assigned numbers, letters or characters
1	1 @ . _ - (space) \ & () ! " # \$ % ' ~ ^ ` ; : ? , + * / = [] { } < >
2	a b c A B C 2
3	d e f D E F 3
4	g h i G H I 4
5	j k l J K L 5
6	m n o M N O 6
7	p q r s P Q R S 7
8	t u v T U V 8
9	w x y z W X Y Z 9
0	0
*	@ . _ -
#	(space) \ & ()

Changing Numbers or Names

If you make a mistake while entering a number, press the **X** (Cancel) button to delete the last digit or character. Then enter the correct number or character.






Printing a Panel Settings Report

The panel settings report shows current settings for the printer menus. For details about how to print a panel settings report, see "Report / List."

Changing the Language


To change the language used on the LCD panel:

When Using the Operator Panel

- 1 Press the  (Menu) button.
- 2 Press the  button until `Panel Language` is highlighted, and then press the  (Set) button.
- 3 Press the  button until the desired language is highlighted, and then press the  (Set) button.

When Using the Tool Box

- 1 Click `Start`→`All Programs`→`Dell Printers`→`Dell C3760 Color Laser Printer`→`Tool Box`.

 **NOTE:** For details about starting the Tool Box, see "Starting the Tool Box."

The Tool Box opens.


- 2 Click the `Printer Maintenance` tab.
- 3 Select `Panel Language` from the list at the left side of the page.


The `Panel Language` page appears.

- 4 Select the desired language from `Panel Language`, and then click `Apply New Settings`.






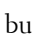




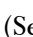
Setting the Power Saver Timer Option

You can set the power saver timer for the printer. The printer enters the power saver mode when the printer is not used for a certain period of time. If the `Auto-Off Timer` is set to `On`, the printer automatically turns off after a specified period of time passes in deep sleep mode.

 **NOTE:** If the `Panel Lock Control` is set to `Enable`, you need to enter the four digit password to enter the `Admin Settings` menu.


 **NOTE:** `Auto-Off Timer` feature is available only in certain regions.

To set the power saver timer:

- 1 Press the  (Menu) button.
- 2 Press the  button until `Admin Settings` is highlighted, and then press the  (Set) button.
- 3 Press the  button until `System Settings` is highlighted, and then press the  (Set) button.
- 4 Ensure that `Power Saver Timer` is highlighted, and then press the  (Set) button.
- 5 Press the  button until the desired setting is highlighted, and then press the  (Set) button.
- 6 Press the  or  button or enter the desired value using the number pad, and then press the  (Set) button.


You can specify from 1 to 60 minutes for `Sleep` or 1 to 60 minutes for `Deep Sleep`.

You can specify from 60 to 1440 minutes for `Auto-Off Timer`, if you set `Auto-Off Timer` to `On`.

To return to the top menu, press the  (Menu) button.

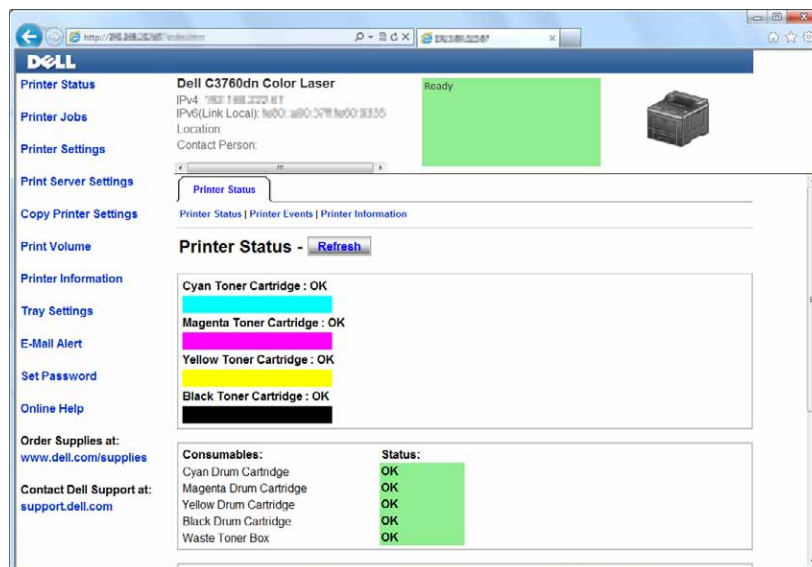
Dell™ Printer Configuration Web Tool

Overview

 **NOTE:** This web tool is available only when the printer is connected to a network using an Ethernet cable or the wireless printer adapter.

 **NOTE:** The images used in this manual are those of the Dell C3760dn Color Laser Printer unless otherwise mentioned.

One of the features of the **Dell Printer Configuration Web Tool** is E-Mail Alert Setup, which sends e-mail to you or the key operator when the printer needs supplies or intervention.




To fill out printer inventory reports requiring the asset tag number of all the printers in your area, use the **Printer Information** feature in the **Dell Printer Configuration Web Tool**. Enter the IP address of each printer on the network to display the asset tag number.

The **Dell Printer Configuration Web Tool** feature also allows you to change the printer settings and keep track of printing trends. If you are a network administrator, you can copy the printer settings to one or all printers on the network using your web browser.

Setting Up the Dell Printer Configuration Web Tool

Ensure that you activate JavaScript in your browser before using the Dell Printer Configuration Web Tool.

Follow the procedures below to configure both the environment settings of your web browser and the EWS setting on the operator panel before using the Dell Printer Configuration Web Tool.

 **NOTE:** The Dell Printer Configuration Web Tool pages may be displayed unreadable if the pages were configured by the language different from the language of your web browser.

Setting Up From Web Browser

For Internet Explorer®

Setting Up the Display Language

- 1 Select **Internet Options** from **Tools** on the menu bar.
- 2 Select **Languages** in the **General** tab.
- 3 Specify the display language in order of preference in the **Language** list.

For example:

- Italian (Italy) [it-IT]
- Spanish (Traditional Sort) [es-ES tradnl]
- German (Germany) [de-DE]
- French (France) [fr-FR]
- English (United States) [en-US]
- Danish [da-DK]
- Dutch (Netherlands) [nl-NL]
- Norwegian (Bokmal) [no]
- Swedish [sv-SE]

Setting the IP Address of the Printer to Non-Proxy

- 1 Select **Internet Options** from the **Tools** menu.
- 2 Click **LAN Settings** under **Local Area Network (LAN) Settings** in the **Connections** tab.
- 3 Do either of the following:
 - Clear the **Use a proxy server for your LAN** check box under **Proxy server**.
 - Click **Advanced**, and then specify the IP address of the printer in the **Do not use proxy server for addresses beginning with** field under **Exceptions**.

For Firefox 2.0 or Later

Setting Up the Display Language

- 1 Select **Options** from the **Tools** menu.
- 2 Click **Advanced**.
- 3 If you are using Firefox 2.0, click **Choose** in the **General** tab. If you are using Firefox 3.0, click **Choose** in the **Content** tab.

- 4 Specify the display language in order of preference in the **Languages in order of preference** list menu.

For example:

- **English** [en] or **English/United States** [en-us]
- **Italian** [it]
- **Spanish** [es]
- **German** [de]
- **French** [fr]
- **Dutch** [nl]
- **Norwegian** [no]
- **Swedish** [sv]
- **Danish** [da]

Setting the IP Address of the Printer to Non-Proxy

- 1 Select **Options** from the **Tools** menu.
- 2 Click **Advanced** tab.
- 3 Click **Network** on the **Options** dialog box.
- 4 Click **Connection** → **Settings**.
- 5 If you are using Firefox 2.0, do one of the following:
 - Select the **Direct connection to the Internet** check box.
 - Select the **Auto-detect proxy settings for this network** check box.
 - Select the **Manual proxy configuration** check box, and then enter the IP address of the printer in the **No Proxy for edit** box.
 - Select the **Automatic proxy configuration URL** check box.

If you are using Firefox 3.0, do one of the following:

- Select the **No Proxy** check box, if you do not want to use a proxy.
- Select the **Auto-detect proxy settings for this network** check box.
- Select the **Manual proxy configuration** check box, and then enter a hostname and a port number if you have a list of one or more proxy servers. If you have an IP address that does not use a proxy, enter the IP address of the printer in the **No Proxy for edit** box.
- Select the **Automatic proxy configuration URL** check box.

Setting Up From Operator Panel

You can launch the **Dell Printer Configuration Web Tool** only when **EWS** is set to **Enable** (the factory default) on the operator panel. Confirm the operator panel setting if you cannot launch the **Dell Printer Configuration Web Tool**. For more information, see "Understanding the Printer Menus."

Starting the Dell Printer Configuration Web Tool

To launch the Dell Printer Configuration Web Tool, enter the IP address of your printer in your web browser.



If you do not know the IP address of your printer, print the printer settings report or display the **TCP/IP Settings** page, which lists the IP address. For details about how to find your printer's IP address, see "Verifying the IP Settings."

Overview of the Menu Items

The Dell Printer Configuration Web Tool consists of the following menus:

- Printer Status
- Printer Jobs
- Printer Settings
- Print Server Settings
- Copy Printer Settings
- Print Volume
- Printer Information
- Tray Settings
- E-Mail Alert
- Set Password
- Online Help
- Order Supplies at:
- Contact Dell Support at:

Printer Status

Use the **Printer Status** menu to get immediate feedback on the printer supply status. When a toner cartridge is running low, click the order supplies link on the first screen to order a new toner cartridge.

Printer Jobs

Use the **Printer Jobs** menu to contain information on the **Job List** page and **Completed Jobs** page. These pages show the details of the status regarding each print job.

Printer Settings


Use the **Printer Settings** menu to change the printer settings and to view the settings in the operator panel remotely.

Print Server Settings

Use the **Print Server Settings** menu to change the type of printer interface and the necessary conditions for communications.

Copy Printer Settings

Use the **Copy Printer Settings** menu to copy the printer settings to another printer or printers on the network by typing the IP address of each printer.

 **NOTE:** You must log in as an administrator to use this feature.

Print Volume

Use the **Print Volume** menu to check the history of printing, such as paper usage, the types of jobs being printed, limit to which users can use the color mode, and the maximum number of pages they can print.

Printer Information

Use the **Printer Information** menu to get information on service calls, inventory reports, or the status of current memory and engine code levels.

Tray Settings


Use the **Tray Settings** menu to get information about the paper type and size for each tray.

E-Mail Alert

Use the **E-Mail Alert** menu to receive e-mail when the printer needs supplies or intervention. To be notified, type your name or the name of the key operator in the e-mail list box.

Set Password

Use the **Set Password** menu to lock the **Dell Printer Configuration Web Tool** with a password so that other users do not inadvertently change the printer settings that you have selected.

 **NOTE:** You must log in as an administrator to use this feature.

Online Help

Click **Online Help** to visit the Dell Support website.

Order Supplies at:

www.dell.com/supplies

Contact Dell Support at:

support.dell.com

Page Display Format

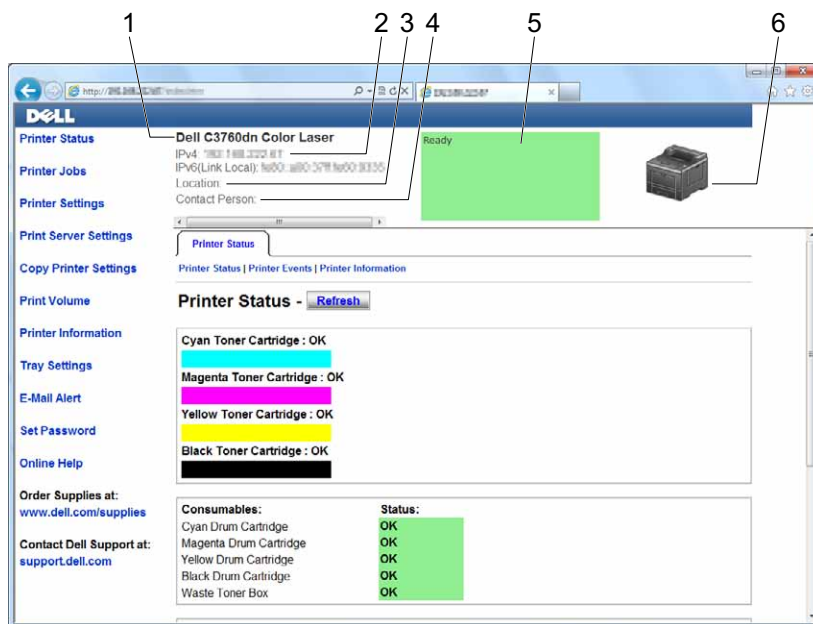
The layout of the page is divided into three sections listed below:

- Top Frame
- Left Frame
- Right Frame

Top Frame

The top frame is located at the top of all pages. When the **Dell Printer Configuration Web Tool** is activated, the current status and specifications of the printer are displayed in the top frame on every page.

The following items are displayed in the top frame.

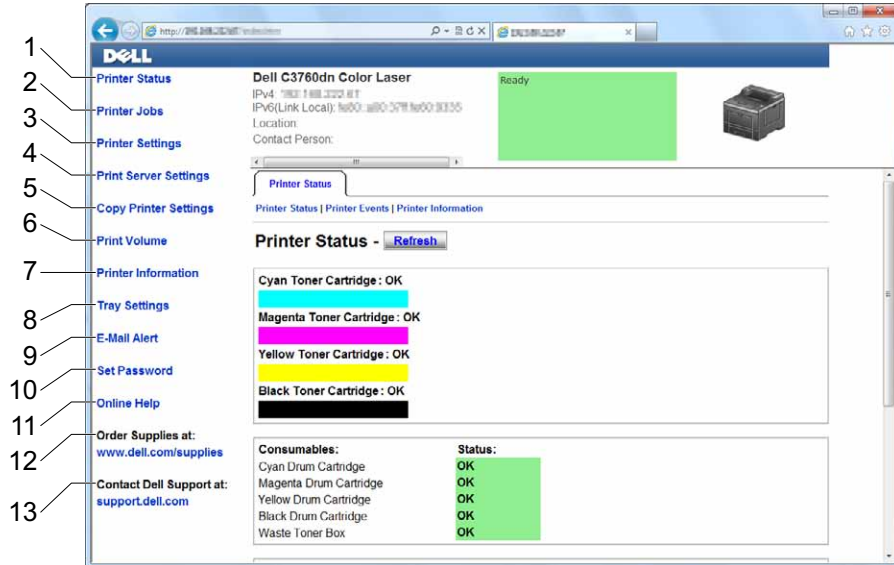


1	Dell C3760dn Color Laser	Displays the product name of the printer.
2	IPv4 IPv6	Displays the IP address of the printer.
3	Location	Displays location of the printer. The location can be changed in the Basic Information section on the Print Server Settings page.
4	Contact Person	Displays the name of the printer administrator. The name can be changed in the Basic Information section on the Print Server Settings page.
5	Event Panel	Displays the indicator for the condition of the printer.
6	Machine image	Shows the bitmap image of the printer. The Printer Status menu appears in the right frame when you click on the image.

Left Frame

The left frame is located on the left side of all the pages. The menu titles displayed in the left frame are linked to corresponding menus and pages. You can go to the corresponding page by clicking their characters.

The following menus are displayed in the left frame.

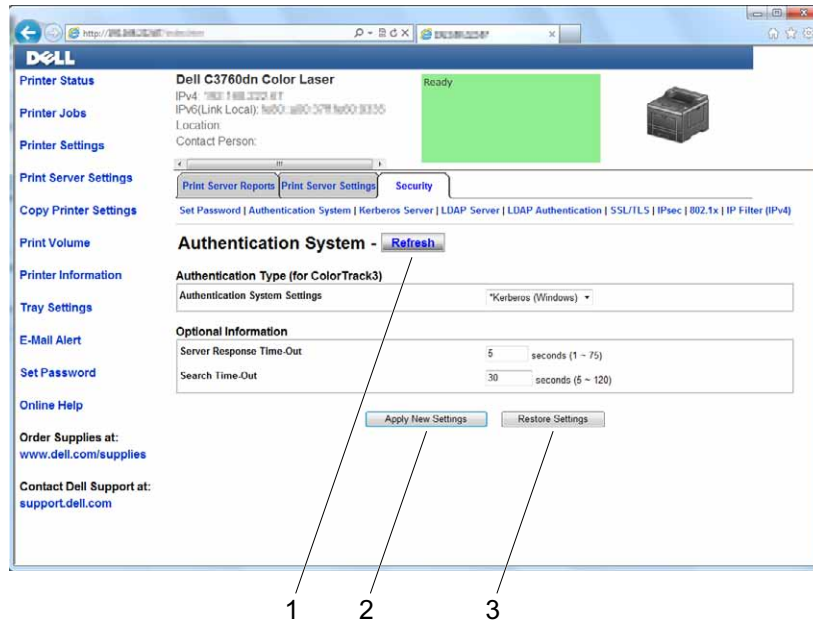


1	Printer Status	Links to the Printer Status menu.
2	Printer Jobs	Links to the Printer Jobs menu.
3	Printer Settings	Links to the Printer Settings Report menu.
4	Print Server Settings	Links to the Print Server Reports menu.
5	Copy Printer Settings	Links to the Copy Printer Settings menu.
6	Print Volume	Links to the Print Volume menu.
7	Printer Information	Links to the Printer Status menu.
8	Tray Settings	Links to the Tray Settings menu.
9	E-Mail Alert	Links to the Print Server Settings menu.
10	Set Password	Links to the Security menu.
11	Online Help	Links to the Dell Support website.
12	Order Supplies at:	Links to the Dell web page.
13	Contact Dell Support at:	Links to the Dell support page web address: http://support.dell.com

Right Frame

The right frame is located on the right side of all the pages. The contents of the right frame correspond to the menu that you select in the left frame. For details on the items displayed in the right frame, see "Details of the Menu Items."

Buttons in the Right Frame



1	Refresh Button	Receives the current printer configuration and updates the latest information in the right frame.
2	Apply New Settings Button	Submits new settings made on the Dell Printer Configuration Web Tool to the printer. The new settings replace the old settings of the printer.
3	Restore Settings Button	Restores the old settings that existed before any changes were made. New settings will not be submitted to the printer.

Changing the Settings of the Menu Items

Some menus allow you to change the printer settings through the Dell Printer Configuration Web Tool. When you access these menus, the authentication window appears on the screen. Type a user name and password for the printer administrator by following the prompts displayed in the dialog box.

The default user name is **admin**, and the default password is left blank (NULL). You can change only the password in the Set Password page in the Security menu. The user name cannot be changed. See "Set Password" for more information.

Details of the Menu Items

"Printer Status"	"Printer Status"	"Printer Status"
		"Printer Events"
		"Printer Information"
"Printer Jobs"	"Printer Jobs"	"Job List"
		"Completed Jobs"

"Printer Settings"	"Printer Settings Report"	"Menu Settings"	
		"Reports"	
	"Printer Settings"		"System Settings"
			"Network Settings"
			"USB Settings"
			"PCL Settings"
			"PostScript Settings"
			"PDF Settings"
			"Secure Settings"
			"USB Direct Print Defaults"
	"Printer Maintenance"		"Paper Density"
			"Adjust Transfer Belt Unit"
			"Adjust 2nd BTR"
			"Adjust Fusing Unit"
			"Auto Registration Adjustment"
			"Color Registration Adjustments"
			"Reset Defaults"
			"Initialize PrintMeter"
			"Storage"*1
			"Non-Dell Toner"
		"Adjust Altitude"	
		"Clock Settings"	
	"Web Link Customization"		
"Print Server Settings"	"Print Server Reports"	"Print Server Setup Page"	
		"E-Mail Alert Setup Page"	
	"Print Server Settings"	"Basic Information"	
		"Port Settings"	
		"TCP/IP"	
		"SMB"	
		"E-Mail Alert"	
		"Bonjour (mDNS)"	
		"SNMP"	
		"SNTP"	
		"Wireless LAN"*2	
		"AirPrint"	
		"Google Cloud Print"	
		"Proxy Server"	
		"Reset Print Server"	

"Print Server Settings"	"Security"	"Set Password"
		"Authentication System"
		"Kerberos Server"
		"LDAP Server"
		"LDAP Authentication"
		"SSL/TLS"
		"IPsec"
		"802.1x" ^{*3}
		"IP Filter (IPv4)"
"Copy Printer Settings"	"Copy Printer Settings"	"Copy Printer Settings"
		"Copy Printer Settings Report"
"Print Volume"	"Print Volume"	"Print Volume"
		"Dell ColorTrack"
"Tray Settings"	"Tray Settings"	
<p>*1 This item is available only when RAM Disk is enabled with the optional 512MB memory module installed or the optional hard disk is installed.</p> <p>*2 This item is available only when the printer is connected using the wireless network.</p> <p>*3 This item is available only when the printer is connected using an Ethernet cable.</p>		

Printer Status

Use the **Printer Status** menu to check the status of consumables, hardware, and specifications of the printer. The following pages are displayed in the **Printer Status** menu.

Printer Status

Purpose:

To check the status of the consumables, trays, and covers.

Values:

Cyan Toner Cartridge		OK	Indicates that there is enough amount of toner for use.
Magenta Toner Cartridge		Replace Soon	Indicates that the toner needs to be replaced soon.
Yellow Toner Cartridge		Replace Now	Indicates that the toner needs to be replaced now.
Black Toner Cartridge			
Consumables	Status	OK	Indicates that the status of the drum cartridge and/or waste toner box is OK for use.
		Replace Soon	Indicates that the drum cartridge and/or waste toner box needs to be replaced soon.
		Replace Now	Indicates that the drum cartridge and/or waste toner box needs to be replaced now.
Paper Trays	Status	OK	Indicates that there is some paper in the tray but the quantity is unknown.
		Add Paper	Indicates that there is no paper in the tray.
	Capacity	Displays the maximum capacity of the paper tray.	
	Size	Displays the size of paper in the tray.	

Output Tray	Status	OK	Indicates that the tray is available.
		Full	Indicates that the tray is not available.
	Capacity	Displays the maximum capacity of the paper tray.	
Cover	Status	Closed	Indicates that the cover is closed.
		Open	Indicates that the cover is open.
Printer Type	Displays the type of the printer. Color Laser is displayed normally.		
Printing Speed	Displays the printing speed.		

Printer Events

Purpose:

When faults occur, such as *Out of Paper* or *Cover is open*, the details of all alerts or indications of faults are displayed in the **Printer Events** page.

Values:

Location	Displays the location where a fault occurred.
Details	Displays the details of the fault.

Printer Information

Purpose:

To verify the printer details such as the hardware configuration and software version. This page can also be displayed by clicking on the **Printer Information** tab in the left frame.

Values:

Dell Service Tag Number	Displays Dell service tag number.	
Express Service Code	Displays Dell express service code.	
Asset Tag Number	Displays the asset tag number of the printer.	
Printer Serial Number	Displays the serial number of the printer.	
Memory Capacity	Displays the memory capacity.	
Hard Disk ^{*1}	Displays information on the printer's hard disk.	
Processor Speed	Displays the processing speed.	
Printer Revision Levels	Firmware Version	Displays the revision date (revision level).
	Network Firmware Version	Displays the revision date (revision level).

^{*1} This item is available only when the optional hard disk drive is installed.

Printer Jobs

The **Printer Jobs** menu contains information on the **Job List** and **Completed Jobs** pages. These pages show the details of the status regarding each print job.

Job List

Purpose:

To confirm the jobs that are being processed. Click the **Refresh** button to update the screen.

Values:

ID	Displays the job ID.
----	----------------------

Job Name	Displays the file name of the job being processed.
Owner	Displays the name of the job owner.
Host Name	Displays the name of the host computer.
Job Status	Displays the status of the job being processed.
Host I/F	Displays the status of the host interface.
Job Submitted Time	Displays the date when the job was submitted.

Completed Jobs

Purpose:

To check the completed jobs. Up to the last 20 jobs are displayed. Click the **Refresh** button to update the screen.

Values:

ID	Displays the job ID.
Job Name	Displays the file name of the completed job.
Owner	Displays the name of the job owner.
Host Name	Displays the name of the host computer.
Output Result	Displays the status of the completed job.
Impression Number	Displays the total number of pages for the job.
No. of Sheets	Displays the total number of sheets for the job.
Host I/F	Displays the status of the host interface.
Job Submitted Time	Displays the date when the job was submitted.

Printer Settings

Use the **Printer Settings** menu to display the **Printer Settings Report**, **Printer Settings**, and **Printer Maintenance** tabs and to configure the printer settings.

The following tabbed pages are displayed at the top of the right frame.

Printer Settings Report

The **Printer Settings Report** tab includes the **Menu Settings** and **Reports** pages.

Menu Settings

Purpose:

To display the current settings of the printer menus.

Values:

System Settings	Power Saver Time - Sleep	Displays the time taken by the printer to enter Sleep mode after it finishes a job.
	Power Saver Time - Deep Sleep	Displays the time taken by the printer to enter Deep Sleep mode after it has entered Sleep mode.
	Power Saver Time - Auto-Off Timer ^{*1}	Displays the time taken by the printer to be turned off after it has entered Deep Sleep mode.
	mm / inch	Displays the measurement unit that is used on the LCD panel.
	Control Panel Tone	Displays the volume of the tone that is emitted when the operator panel input is correct. Off indicates that the tone is disabled.

Invalid Key Tone	Displays the volume of the tone that is emitted when the operator panel input is incorrect. Off indicates that the tone is disabled.
Machine Ready Tone	Displays the volume of the tone that is emitted when the printer becomes ready. Off indicates that the tone is disabled.
Job Completed Tone	Displays the volume of the tone that is emitted when a print job is complete. Off indicates that the tone is disabled.
Fault Tone	Displays the volume of the tone that is emitted when a job ends abnormally. Off indicates that the tone is disabled.
Alert Tone	Displays the volume of the tone that is emitted when a problem occurs. Off indicates that the tone is disabled.
Out of Paper Tone	Displays the volume of the tone that is emitted when the printer runs out of paper. Off indicates that the tone is disabled.
Low Toner Alert Tone	Displays the volume of the tone that is emitted when the toner is low. Off indicates that the tone is disabled.
Auto Clear Alert Tone	Displays the volume of the tone that is emitted 5 seconds before the printer performs auto clear. Off indicates that the tone is disabled.
All Tones	Displays the volume of all the alert tones. Off indicates that all the tones are disabled.
Low Toner Alert Message	Displays whether to show the alert message when the toner is low.
Auto Log Print	Displays whether to automatically print a job history report after every 20 jobs.
RAM Disk^{*2}	Displays whether to allocate RAM for the file system for the Secure Print, Proof Print, Private Mail Box Print, and Public Mail Box Print features.
Panel Language	Displays the language used on the LCD panel.
Auto Reset	Displays the amount of time before the printer automatically resets its settings to the defaults when no additional settings are made.
Fault Time-out	Displays the amount of time the printer waits before canceling a job that stops abnormally.
Job Time-out	Displays the amount of time the printer waits for data to arrive from the computer.
Default Paper Size	Displays the default print paper size.
Print ID	Displays where to print a user ID on the output paper.
Print Text	Displays whether the printer outputs PDL (Page Description Language) data (which is not supported by the printer) as text when the printer receives it.
Banner Sheet Insert Position	Displays where to insert a banner sheet in the output paper.
Banner Sheet Specify Tray	Displays the tray to feed a banner sheet.
Substitute Tray	Displays if paper of another size has to be used when the paper that is loaded in the specified tray does not match the paper size setting for the current job.
Letterhead 2 Sided^{*3}	Displays whether to print both sides on letterhead.
A4<>Letter Switch	Displays whether to print A4 size jobs on Letter size paper if A4 is not available in the paper trays and vice versa (Letter size job on A4 size paper).
Report 2 Sided Print^{*3}	Displays whether to print reports on both sides a sheet of paper.

	Use Another Tray	Displays whether to show a message to select another tray when the specified paper is not available in the paper tray.
Network Settings	Adobe Protocol	Displays PostScript communication protocol for each interface.
USB Settings	USB Port	Displays whether to enable the USB interface.
	Adobe Protocol	Displays PostScript communication protocol for each interface.
PCL Settings	Paper Tray	Displays the paper input tray.
	Paper Size	Displays the paper size setting.
	Custom Paper Size - Y	Displays the length of custom size paper.
	Custom Paper Size - X	Displays the width of custom size paper.
	Orientation	Displays how text and graphics are oriented on the page.
	2 Sided Print ^{*3}	Displays whether to print on both sides of a sheet of paper.
	Font	Displays the selected font from the list of registered fonts.
	Symbol Set	Displays a symbol set for the specified font.
	Font Size	Displays the font size for scalable typographic fonts.
	Font Pitch	Displays the font pitch for scalable mono spaced fonts.
	Form Line	Displays the number of lines in a page.
	Quantity	Displays the number of copies to print.
	Image Enhance	Displays whether to enable the Image Enhancement feature.
	Hex Dump	Displays whether to enable the Hex Dump feature.
	Draft Mode	Displays whether to print in the draft mode.
	Line Termination	Displays whether to set the line termination.
	Default Color	Displays the color mode setting.
Ignore Form Feed	Displays whether to ignore blank pages that only contain Form Feed control codes.	
PostScript Settings	PS Error Report	Displays whether the printer outputs error contents for a PostScript error.
	PS Job Time-out	Displays the execution time for one PostScript job.
	Paper Select Mode	Displays the tray that is selected in the PostScript printing.
	Default Color	Displays the color mode setting.
PDF Settings	Quantity	Displays the number of copies to print.
	2 Sided Print ^{*3}	Displays whether to print on both sides of a sheet of paper.
	Print Mode	Displays the print mode setting.
	Collation	Displays whether to sort a job.
	Output Size	Displays the output paper size.
	Layout	Displays the output layout.
Default Color	Displays the color mode setting.	
Secure Settings	Panel Lock Control	Displays whether to lock Admin Settings with a password.
	USB Direct Print	Displays whether to lock the USB Direct Print function with a password.
	Software Download	Displays whether to enable download of firmware updates.
	Encryption	Displays whether to encrypt the data.
	Hard Disk Over Write ^{*4}	Displays whether to overwrite the hard disk drive.
	Login Error	Displays how many times an administrator can attempt to log in to Panel Lock and Function Enabled.

	Expiration Mode ^{*5}	Displays whether to set the date to delete the files stored as Secure Print in the optional 512MB memory module or the optional hard disk drive.
	Expiration Time ^{*5}	Displays the time to delete the files stored as Secure Print in the optional 512MB memory module or the optional hard disk drive.
	Recurrence ^{*5}	Displays the period to repeat the setting.
	Weekly Settings ^{*5}	Displays the day of the week to repeat the setting.
	Monthly Settings ^{*5}	Displays the day of the month to repeat the setting.
Secure Settings - Print	Set Available Time	Displays whether to set the available time period for the Print function.
	Start Time	Displays the start time of the available time period for the Print function.
	End Time	Displays the end time of the available time period for the Print function.
	Recurrence	Displays the day of the week to repeat the setting.
USB Direct Print Defaults	Output Color	Displays whether to print in color or in black and white.
	Select Tray	Displays the default input tray.
	2 Sided Printing ^{*3}	Displays whether to print on both sides of a sheet of paper.
	Multiple-Up	Displays whether to print two or more pages on one side of a sheet of paper.
	Collation ^{*4}	Displays whether to sort a job.
Paper Density	Plain	Displays the paper density of plain paper.
	Label	Displays the paper density of labels.
Adjust Transfer Belt Unit	K Offset	Displays the value for black ghost image.
	YMC Offset	Displays the value for color ghost image.
Adjust 2nd BTR	Plain	Displays the voltage setting of the transfer roller (-5 to 10) for plain paper.
	Plain Thick ^{*6}	Displays the voltage setting of the transfer roller (-5 to 10) for thick plain paper.
	Covers (106-163g/m²)	Displays the voltage setting of the transfer roller (-5 to 10) for cover paper.
	Covers Thick ^{*6} (164-216g/m ²)	Displays the voltage setting of the transfer roller (-5 to 10) for thick cover paper.
	Coated (106-163g/m²)	Displays the voltage setting of the transfer roller (-5 to 10) for coated paper.
	Coated Thick ^{*6} (164-216g/m ²)	Displays the voltage setting of the transfer roller (-5 to 10) for thick coated paper.
	Label	Displays the voltage setting of the transfer roller (-5 to 10) for labels.
	Envelope	Displays the voltage setting of the transfer roller (-5 to 10) for envelopes.
	Recycled	Displays the voltage setting of the transfer roller (-5 to 10) for recycled paper.

Adjust Fusing Unit	Plain	Displays the temperature setting of the fusing unit (-3 to 3) for plain paper.
	Plain Thick ^{*6}	Displays the temperature setting of the fusing unit (-3 to 3) for thick plain paper.
	Covers (106-163g/m ²)	Displays the temperature setting of the fusing unit (-3 to 3) for cover paper.
	Covers Thick ^{*6} (164-216g/m ²)	Displays the temperature setting of the fusing unit (-3 to 3) for thick cover paper.
	Coated (106-163g/m ²)	Displays the temperature setting of the fusing unit (-3 to 3) for coated paper.
	Coated Thick ^{*6} (164-216g/m ²)	Displays the temperature setting of the fusing unit (-3 to 3) for thick coated paper.
	Label	Displays the temperature setting of the fusing unit (-3 to 3) for labels.
	Envelope	Displays the temperature setting of the fusing unit (-3 to 3) for envelopes.
	Recycled	Displays the temperature setting of the fusing unit (-3 to 3) for recycled paper.
Auto Registration Adjustment	Displays whether to automatically perform color registration adjustment.	
Adjust Altitude	Displays the altitude of the location where the printer is installed.	
Non-Dell Toner	Displays whether to use toner cartridge of another manufacturer.	
Clock Settings	Date Format	Displays the default date format.
	Time Format	Displays the default time format; 24H or 12H.
	Time Zone	Displays the default time zone.
	Set Date	Displays the date setting.
	Set Time	Displays the time setting.
Web Link Customization	Select Reorder URL	Displays a link used for ordering consumables, which can be accessed from Order Supplies at: in the left frame.
	Regular	Displays the regular URL (http://accessories.us.dell.com/sna) that can be linked to Order Supplies at: .
	Premier	Displays the premier URL (http://premier.dell.com) that can be linked to Order Supplies at: .
Dell ColorTrack	ColorTrack Mode	Displays whether to enable the ColorTrack.
	Non Registered User	Displays whether to permit the printing of data without authentication information.
	Auto Color To Mono Print	Displays whether to print all print jobs in black and white even when color print is specified.
	ColorTrack Error Report	Displays whether to print the error report on the ColorTrack mode.

Tray Settings	MPF Mode	Displays whether to use the printer driver settings for the size and type of paper loaded in the multipurpose feeder (MPF).
	MPF Paper Size ^{*7}	Displays the paper size setting of the MPF.
	MPF Paper Type ^{*7}	Displays the paper type setting of the MPF.
	MPF Custom Paper Size - Y ^{*7}	Displays the length of custom size paper loaded in the MPF.
	MPF Custom Paper Size - X ^{*7}	Displays the width of custom size paper loaded in the MPF.
	MPF Display Popup ^{*7}	Displays whether to show a popup menu that prompts the user to set the paper size and type when the paper is loaded in the MPF.
	Tray 1 Paper Size	Displays the paper size setting of tray1.
	Tray 1 Paper Type	Displays the paper type setting of tray1.
	Tray 1 Custom Paper Size - Y	Displays the length of custom size paper loaded in tray1.
	Tray 1 Custom Paper Size - X	Displays the width of custom size paper loaded in tray1.
	Tray 1 Display Popup	Displays whether to show a popup menu that prompts the user to set the paper size and type when the paper is loaded in tray1.
	Tray 2 Paper Size ^{*8}	Displays the paper size setting of the optional 550-sheet feeder (tray2).
	Tray 2 Paper Type ^{*8}	Displays the paper type setting of the optional 550-sheet feeder.
	Tray 2 Custom Paper Size - Y ^{*8}	Displays the length of custom size paper loaded in the optional 550-sheet feeder.
	Tray 2 Custom Paper Size - X ^{*8}	Displays the width of custom size paper loaded in the optional 550-sheet feeder.
	Tray 2 Display Popup ^{*8}	Displays whether to show a popup menu that prompts the user to set the paper size and type when the paper is loaded in the optional 550-sheet feeder.
	1st Priority	Displays the paper source to be used as the first priority.
2nd Priority	Displays the paper source to be used as the second priority.	
3rd Priority ^{*8}	Displays the paper source to be used as the third priority.	

*1 Auto-Off Timer feature is available only in certain regions.

*2 This item is available only when the optional 512MB memory module is installed and the optional hard disk is not installed.

*3 This item is available only for Dell C3760dn Color Laser Printer.

*4 This item is available only when the optional hard disk is installed.

*5 This item is available only when **RAM Disk** is enabled or the optional hard disk is installed.

*6 For paper weight specifications, see "Paper Type Specifications."

*7 This item is available only when **Panel Specified** in **MPF Mode** is selected.

*8 This item is available only when the optional 550-sheet feeder is installed.

Reports

Purpose:

To print various types of reports and lists.

Values:

Printer Settings	Click Start to print the Printer Settings page.
------------------	--------------------------------------------------------

Panel Settings	Click Start to print the Panel Settings page.
----------------	------------------------------------------------------

PCL Fonts List	Click Start to print the PCL (Hewlett-Packard Printer Control Language) Fonts List.
PCL Macros List	Click Start to print the PCL Macro List.
PS Fonts List	Click Start to print the PS Fonts List.
PDF Fonts List	Click Start to print the PDF Fonts List.
Job History	Click Start to print the Job History report.
Error History	Click Start to print the Error History report.
Print Meter	Click Start to print the Print Meter report.
Color Test Page	Click Start to print the Color Test Page.
Stored Documents ^{*1}	Click Start to print the Stored Documents list.

^{*1} This item is available only when **RAM Disk** is enabled with the optional 512MB memory module installed or the optional hard disk is installed.

Printer Settings

The **Printer Settings** tab includes **System Settings**, **Network Settings**, **USB Settings**, **PCL Settings**, **PostScript Settings**, **PDF Settings**, **Secure Settings**, and **USB Direct Print Defaults** pages.

System Settings

Purpose:

To configure the basic printer settings.

Values:

Power Saver Time - Sleep	Sets the time taken by the printer to enter Sleep mode after it finishes a job.
Power Saver Time - Deep Sleep	Sets the time taken by the printer to enter Deep Sleep mode after it has entered Sleep mode.
Power Saver Time - Auto-Off Timer ^{*1}	Sets the time taken by the printer to be turned off after it has entered Deep Sleep mode.
mm / inch	Sets the measurement unit to be used on the LCD panel as either mm or inches.
Control Panel Tone	Sets the volume of the tone that is emitted when the operator panel input is correct, or disables the tone.
Invalid Key Tone	Sets the volume of the tone that is emitted when the operator panel input is incorrect, or disables the tone.
Machine Ready Tone	Sets the volume of the tone that is emitted when the printer becomes ready, or disables the tone.
Job Completed Tone	Sets the volume of the tone that is emitted when a print job is complete, or disables the tone.
Fault Tone	Sets the volume of the tone that is emitted when a job ends abnormally, or disables the tone.
Alert Tone	Sets the volume of the tone that is emitted when a problem occurs, or disables the tone.
Out of Paper Tone	Sets the volume of the tone that is emitted when the printer runs out of paper, or disables the tone.
Low Toner Alert Tone	Sets the volume of the tone that is emitted when the toner is low, or disables the tone.
Auto Clear Alert Tone	Sets the volume of the tone that is emitted 5 seconds before the printer performs auto clear, or disables the tone.

All Tones	Sets the volume of all the alert tones, or disables all the tones.
Low Toner Alert Message	Alerts you if the toner is low.
Auto Log Print	Sets if a job history needs to be printed after every 20 jobs.
RAM Disk ^{*2}	Sets whether to allocate RAM for the file system for the Secure Print, Proof Print, Private Mail Box Print, and Public Mail Box Print features.
Panel Language	Used to set the language on the LCD panel.
Auto Reset	Sets the amount of time before the printer automatically resets its settings to the defaults when no additional settings are made.
Fault Time-out	Sets the amount of time the printer waits before canceling a job that stops abnormally.
Job Time-out	Sets the amount of time the printer waits for data to arrive from the computer.
Default Paper Size	Sets the default print paper size.
Print ID	Sets where to print the user ID on the output paper.
Print Text	Sets whether the printer outputs PDL data (which is not supported by the printer) as text when the printer receives it.
Banner Sheet Insert Position	Sets where to insert a banner sheet in the output.
Banner Sheet Specify Tray	Sets from which tray a banner sheet is fed.
Substitute Tray	Sets whether to use another size paper when the paper that is loaded in the specified tray does not match the paper size settings for the current job.
Letterhead 2 Sided ^{*3}	Sets whether to print on both sides of letterhead.
A4<>Letter Switch	Sets whether to print A4 size jobs on Letter size paper if A4 is not available in the paper trays and vice versa (Letter size job on A4 size paper).
Report 2 Sided Print ^{*3}	Sets whether to print reports on both sides a sheet of paper.
Use Another Tray	Sets whether to show a message to select another tray when the specified paper is not available in the paper tray.

*1 Auto-Off Timer feature is available only in certain regions.

*2 This item is available only when the optional 512MB memory module is installed and the optional hard disk is not installed.

*3 This item is available only for Dell C3760dn Color Laser Printer.

Network Settings

Purpose:

To Specify the PostScript communication protocol for this printer.

Values:

Adobe Protocol	Sets PostScript communication protocol for each interface.
----------------	------------------------------------------------------------

USB Settings

Purpose:

To change USB settings on your printer.

Values:

USB Port	Enables the USB interface on your printer.
Adobe Protocol	Sets PostScript communication protocol for each interface.

PCL Settings

Purpose:

To change the PCL settings.

Values:

Paper Tray	Sets the paper input tray.
Paper Size	Sets the paper size.
Custom Paper Size - Y	Sets the length of custom size paper. The available range is from 127 mm (5.0 inch) to 355 mm (14.0 inch).
Custom Paper Size - X	Sets the width of custom size paper. The available range is from 77 mm (3.0 inch) to 215 mm (8.5 inch).
Orientation	Sets how text and graphics are oriented on the page.
2 Sided Print ^{*1}	Sets duplexing as the default for all print jobs.
Font	Sets the font from the list of registered fonts.
Symbol Set	Sets a symbol set for the specified font.
Font Size	Sets the font size for scalable typographic fonts.
Font Pitch	Sets the font pitch for scalable mono spaced fonts.
Form Line	Sets the number of lines in a page.
Quantity	Sets the number of copies to print.
Image Enhance	Sets whether to enable the Image Enhancement feature.
Hex Dump	Sets whether to help isolate the source of a print job problem. With Hex Dump selected, all data sent to the printer is printed in hexadecimal and character representation. Control codes are not executed.
Draft Mode	Sets whether to print in the draft mode.
Line Termination	Sets how to handle line terminations.
Default Color	Sets the print color mode as Color or Black . This setting is used for print jobs without a specified color print mode.
Ignore Form Feed	Sets whether to ignore blank pages that only contain Form Feed control codes.

^{*1} This item is available only for Dell C3760dn Color Laser Printer.

PostScript Settings

Purpose:

To change printer settings that only affect jobs using the PostScript emulation printer language.

Values:

PS Error Report	Sets whether the printer outputs error contents for a PostScript error.
PS Job Time-out	Sets the execution time for one PostScript job.
Paper Select Mode	Sets the way to select the tray for the PostScript mode.
Default Color	Sets the default color mode for the PostScript mode.

PDF Settings

Purpose:

To change the PDF settings.

Values:

Quantity	Sets the number of copies.
2 Sided Print ^{*1}	Sets whether to print on both sides of a sheet of paper.
Print Mode	Sets a print mode.
PDF Password	Sets a password.
Re-enter PDF Password	Confirms the set password.
Collation	Sets whether to sort the output.
Output Size	Sets the output paper size.
Layout	Sets the output layout.
Output Color	Sets the output color.

^{*1} This item is available only for Dell C3760dn Color Laser Printer.

Secure Settings

Panel Lock

Purpose:

To set a limited access to Admin Settings with a password, and to set or change the password.

Values:

Panel Lock Control ^{*1}	Enables/Disables password protection for the Admin Settings.
New Password	Sets a password that is required to access the Admin Settings.
Re-enter Password	Confirms the set password.

^{*1} Some setting items in the Secure Settings are displayed only when this setting item is enabled.

 **NOTE:** You can set the password for the **Dell Printer Configuration Web Tool** from **Set Password** in **Print Server Settings**.

Function Enabled

Purpose:

To specify whether to lock the USB Direct Print function with a password, and to set or change the password.

Values:

USB Direct Print	Sets whether to lock the USB Direct Print function with a password.
New Password	Sets a password that is required to access the USB Direct Print function.
Re-enter Password	Confirms the set password.

 **NOTE:** You can set the password for the **Dell Printer Configuration Web Tool** from **Set Password** in **Print Server Settings**.

Software Download

Purpose:

To set whether to enable download of firmware updates.


Data Encryption

Purpose:


To set whether to encrypt the data.

Values:

Data Encryption	Encryption	Sets whether to encrypt the data.
	Encryption Key	Sets a key that is required to encrypt.
	Re-enter Encryption Key	Enter the new key again to confirm.

 **NOTE:** You can enter only characters from 0 to 9, a to z, A to Z, and NULL values for encryption key.

Hard Disk Over Write

 **NOTE:** HDD Disk Over Write feature is available only when the optional hard disk is installed.

Purpose:

To set whether to overwrite the hard disk drive.

Values:

Hard Disk Over Write	Sets whether to overwrite the hard disk drive.
----------------------	------------------------------------------------

Login Error

Purpose:

To specify how many times an administrator can attempt to log in to **Panel Lock** and **Function Enabled**.

Values:

Login Error	Displays how many times an administrator can attempt to log in to Panel Lock and Function Enabled .
-------------	-------------------------------------------------------------------------------------------------------------------

Set Available Time - Print


Purpose:

To specify the time to enable the secure setting for the Print function.

Values:

Set Available Time	Allows you to set the available time period for the Print function.
Start Time	Sets the start time of the available time period for the Print function.
End Time	Sets the end time of the available time period for the Print function.
Recurrence	Sets the day of the week to repeat the setting.

Secure Job Expiration

 **NOTE:** Secure Job Expiration feature is available only when **RAM Disk** is enabled with the optional 512MB memory module installed or the optional hard disk is installed.

Purpose:

To specify the date and time to delete the files stored as Secure Print in the optional 512MB memory module or the optional hard disk drive.

Values:

Expiration Mode	Allows you to set the date to delete the files stored as Secure Print in the optional 512MB memory module or the optional hard disk drive.
-----------------	--------------------------------------------------------------------------------------------------------------------------------------------

Expiration Time	Sets the time to delete the files stored as Secure Print in the optional 512MB memory module or the optional hard disk drive.
Recurrence	Sets the period to repeat the setting.
Weekly Settings	Sets the day of the week to repeat the setting.
Monthly Settings	Sets the day of the month to repeat the setting.

USB Direct Print Defaults

Purpose:

To create your own **USB Direct Print Defaults** setting.

Values:

Output Color	Sets whether to print in color or in black and white.
Select Tray	Sets the default input tray.
2 Sided Printing	Sets whether to print on both sides of a sheet of paper.
Multiple-Up	Sets whether to print two or more pages on one side of a sheet of paper.
Collation	Sets whether to sort the output.
PDF Password	Sets a password.
Re-enter PDF Password	Confirms the set password.

Printer Maintenance

The **Printer Maintenance** tab includes the **Paper Density**, **Adjust Transfer Belt Unit**, **Adjust 2nd BTR**, **Adjust Fusing Unit**, **Auto Registration Adjustment**, **Color Registration Adjustments**, **Reset Defaults**, **Initialize PrintMeter**, **Storage**, **Non-Dell Toner**, **Adjust Altitude**, **Clock Settings**, and **Web Link Customization** pages.

Paper Density

Purpose:

To specify the paper density.

Values:

Plain	Sets the density of plain paper to Light or Normal .
Label	Sets the density of labels to Light or Normal .

Adjust Transfer Belt Unit

Purpose:

To adjust the transfer bias when ghosting occur. (The ghost image may be the image of the previous page, or a part of the page currently printing.)

Values:

K Offset	If faint black colored ghosts appear, try to decrease the value.
YMC Offset	If faint ghosts in color (yellow, magenta, or cyan) appear, try to decrease the value.

Adjust 2nd BTR

Purpose:

To specify the optimum voltage settings for printing for the 2nd Belt Transfer Roller (2nd BTR). To lower the voltage, set negative values. To increase, set positive values.

The default settings may not give the best output on all paper types. If you see mottles on the print output, try to increase the voltage. If you see white spots on the print output, try to decrease the voltage.

 **CAUTION:** The print quality changes depending on the setting values you select for this item.

Values:


Plain	Sets the reference voltage setting for the transfer roller for plain paper within the range of -5 to 10.
Plain Thick	Sets the reference voltage setting for the transfer roller for thick plain paper within the range of -5 to 10.
Covers	Sets the reference voltage setting for the transfer roller for cover paper within the range of -5 to 10.
Covers Thick	Sets the reference voltage setting for the transfer roller for thick cover paper within the range of -5 to 10.
Coated	Sets the reference voltage setting for the transfer roller for coated paper within the range of -5 to 10.
Coated Thick	Sets the reference voltage setting for the transfer roller for thick coated paper within the range of -5 to 10.
Label	Sets the reference voltage setting for the transfer roller for labels within the range of -5 to 10.
Envelope	Sets the reference voltage setting for the transfer roller for envelopes within the range of -5 to 10.
Recycled	Sets the reference voltage setting for the transfer roller for recycled paper within the range of -5 to 10.

Adjust Fusing Unit

Purpose:

To specify the optimum temperature settings for printing for the fusing unit. To lower the temperature, set negative values. To increase, set positive values.

The default settings may not give the best output on all paper types. When the printed paper has curled, try to lower the temperature. When the toner does not fuse on the paper properly, try to increase the temperature.

 **NOTE:** The print quality changes depending on the setting values you select for this item.

Values:

Plain	Sets the temperature settings for the fusing unit for plain paper within the range of -3 to 3.
Plain Thick	Sets the temperature settings for the fusing unit for thick plain paper within the range of -3 to 3.
Covers	Sets the temperature settings for the fusing unit for cover paper within the range of -3 to 3.
Covers Thick	Sets the temperature settings for the fusing unit for thick cover paper within the range of -3 to 3.
Coated	Sets the temperature settings for the fusing unit for coated paper within the range of -3 to 3.
Coated Thick	Sets the temperature settings for the fusing unit for thick coated paper within the range of -3 to 3.
Label	Sets the temperature settings for the fusing unit for labels within the range of -3 to 3.
Envelope	Sets the temperature settings for the fusing unit for envelopes within the range of -3 to 3.
Recycled	Sets the temperature settings for the fusing unit for recycled paper within the range of -3 to 3.

Auto Registration Adjustment

Purpose:


To specify whether to automatically perform color registration adjustment.

Color Registration Adjustments

Purpose:

To specify whether to manually perform color registration adjustment.

Manual Color Registration Adjustments are required such as when the printer is initially installed and after the printer is moved.

 **NOTE:** The **Color Registration Adjustments** feature can be configured when **Auto Registration Adjustment** is set to **Off**.

Values:

Auto Correct	Click Start to automatically perform color registration correction.
Color Regi Chart	Click Start to print a color registration chart. The color registration chart prints a lattice pattern of yellow, magenta, and cyan lines. On the chart, look at the values on the right side that are next to the line that is perfectly straight for each of the three colors. If the value for this line is 0, color registration adjustment is not required. If the value for this line is any value other than 0, specify the adjustment values under Color Registration Adjustments .
Color Registration Adjustments	Sets lateral (perpendicular to paper feed direction) and process (paper feed direction) color adjustment values individually for Yellow, Magenta, and Cyan within the range of -9 to 9.

Reset Defaults

Purpose:

To initialize the non-volatile (NV) memory. After executing this function and rebooting the printer, all the menu parameters are reset to their default values.


Reset Defaults and restart printer.	Click Start to reset the default setting and restart the printer.
--------------------------------------------	--------------------------------------------------------------------------

Initialize PrintMeter

Purpose:

To initialize the print meter of the printer. When the print meter is initialized, the meter count is reset to 0.

Storage

 **NOTE:** Storage feature is available only when **RAM Disk** is enabled with the optional 512MB memory module installed or the optional hard disk is installed.

Purpose:

To clear all files stored in the optional 512MB memory module or the optional hard disk, or format the optional hard disk.

Values:

Clear Storage ^{*1}	All Clear	Click Start to clear all files stored as Secure Print, Proof Print, Private Mail Box Print, and Public Mail Box Print in the optional 512MB memory module or the optional hard disk.
	Secure Document	Click Start to clear all files stored as Secure Print, Proof Print, Private Mail Box Print, and Public Mail Box Print in the optional 512MB memory module or the optional hard disk.
	Stored Document	Click Start to clear all files stored in the optional 512MB memory module or the optional hard disk.

Format Hard Disk^{*2} **Format Hard Disk** Click **Start** to format the optional hard disk. All fonts, forms and files for Secure Print, Proof Print, Private Mail Box Print, and Public Mail Box Print stored in the optional hard disk are cleared.

*1 This item is available only when **RAM Disk** is enabled with the optional 512MB memory module installed or the optional hard disk is installed.

*2 This item is available only when the optional hard disk is installed.

Non-Dell Toner

Purpose:

To use toner cartridge of another manufacturer.

 **WARNING: Using a non-Dell toner cartridge may severely damage your printer. The warranty does not cover damages caused by using non-Dell toner cartridges.**

Adjust Altitude

Purpose:

To specify the altitude of the location where the printer is installed.

The discharge phenomenon for charging the photo conductor varies with barometric pressure. Adjustments are performed by specifying the altitude of the location where the printer is being used.

Clock Settings

Purpose:

To specify the clock settings.

Values:

Date Format	Sets the date format; YYYY/MM/DD, MM/DD/YYYY, or DD/MM/YYYY.
Time Format	Sets the time format; 24 Hour Clock or 12 Hour Clock.
Time Zone	Sets the time zone.
Set Date	Sets the current date.
Set Time	Sets the current time.

Web Link Customization

Purpose:

To specify a link used for ordering consumables, which can be accessed from **Order Supplies at:** in the left frame.

Values:

Select Reorder URL	Sets a URL to be linked to Order Supplies at:
Regular	Displays the regular URL (http://accessories.us.dell.com/sna) that can be linked to Order Supplies at: .
Premier	Displays the premier URL (http://premier.dell.com) that can be linked to Order Supplies at: .

Print Server Settings

Use the **Print Server Settings** menu to set the type of printer interface and the necessary conditions for communication.

The following tabbed pages are displayed in the top of the right frame.

Print Server Reports

The Print Server Reports tab includes the **Print Server Setup Page** and the **E-Mail Alert Setup Page**.

Print Server Setup Page

Purpose:

To verify the current settings of TCP/IP (Transmission Control Protocol/Internet Protocol) protocol and printing ports. On this page, you can only verify the settings of items. If you want to change the settings, go to the pages in the **Print Server Settings** tab.

Values:

Ethernet ^{*1}	Ethernet Settings	Displays the current settings of Ethernet transmission rate and the duplex settings.		
	Current Ethernet Settings	Displays the current Ethernet settings.		
	MAC Address	Displays the Media Access Control (MAC) address of the printer.		
Wireless Settings ^{*2}	SSID	Displays the name that identifies the network.		
	Network Type	Displays the network type from either the Ad-Hoc or Infrastructure mode.		
	MAC Address	Displays the MAC address of the wireless adapter.		
	Link Channel	Displays the channel number of the connection.		
	Link Quality	Displays the quality of the connection.		
TCP/IP Settings	IP Mode	Displays the IP mode.		
	Host Name	Displays the host name.		
	IPv4 ^{*3}	IP Address Mode	Displays the IP address mode.	
		IP Address	Displays the IP address.	
		Subnet Mask	Displays the subnet mask.	
		Gateway Address	Displays the gateway address.	
	IPv6 ^{*4}	Enable Stateless Address	Displays whether to enable the stateless address.	
		Use Manual Address	Displays whether to set the IP address manually.	
		Get IP Address from DHCP	Displays whether to automatically set the IP address via DHCP.	
		Manual Address^{*5}	Displays the IP address.	
		Stateless Address 1-3^{*6}	Displays the stateless addresses.	
		Stateful Address 1-3	Displays the stateful addresses.	
		Link Local Address^{*6}	Displays the link local address.	
		Manual Gateway Address^{*5}	Displays the gateway address.	
Auto Configure Gateway Address^{*6}	Displays the gateway address.			

DNS	IPv4 ^{*3}	Get DNS Server Address from DHCP	Displays whether to automatically set the DNS server address via DHCP.
		Current DNS Server Address	Displays the current DNS server address.
	IPv6 ^{*4}	Get DNS Server Address from DHCPv6-lite	Displays if the printer receives the DNS server address automatically from the DHCPv6-lite server.
		Current DNS Server Address	Displays the current DNS server address.
		DNS Dynamic Update (IPv4)	Displays the status of the DNS Dynamic Update feature.
		DNS Dynamic Update (IPv6)	Displays the status of the DNS Dynamic Update feature.
		Auto Generate Search List	Displays whether to automatically generate a search list.
		Search Domain Name	Displays the search domain name.
		Time-out	Displays the time-out period.
	Priority to IPv6 DNS Name Resolution ^{*7}	Displays whether to use the DNS Name Resolution feature.	
WINS ^{*3}	WINS Mode	Displays whether to automatically set the primary and secondary WINS server addresses via DHCP.	
	WINS Primary Server	Displays the primary WINS server address.	
	WINS Secondary Server	Displays the secondary WINS server address.	
LPD	Port Status	Displays the port status of the Line Printer Daemon (LPD) protocol.	
	Connection Time-Out	Displays the connection time-out period.	
Port9100	Port Status	Displays the port status.	
	Port Number	Displays the port number.	
	Connection Time-Out	Displays the connection time-out period.	
IPP	Port Status	Displays the port status.	
	Printer URI	Displays the printer URI.	
	Connection Time-Out	Displays the connection time-out period.	
	Port Number	Displays the port number.	
	Maximum Sessions	Displays the maximum number of connections received simultaneously by the client.	
WSD	WSD Print	Displays whether to use WSD for printing.	
	Port Number	Displays the WSD port number.	
	Receive Time-Out	Displays the receive time-out period.	
	Notification Time-Out	Displays the notification time-out period.	
	Maximum Number of TTL	Displays the maximum number of TTLs.	
	Maximum Number of Notification	Displays the maximum number of notifications.	
FTP	Port Status	Displays the port status.	
	Connection Time-Out	Displays the connection time-out period.	

HTTP	Port Status	Displays the port status.
	Port Number	Displays the port number.
	Simultaneous Connections	Displays the maximum number of simultaneous connections.
	Connection Time-Out	Displays the connection time-out period.
SMB	Port Status	Displays the port status.
	Host Name	Displays the host name.
	Workgroup	Displays the workgroup.
	Maximum Sessions	Displays the maximum number of sessions.
	Unicode Support	Displays whether to notify the host name and workgroup name in Unicode characters during SMB transmission.
	Auto Master Mode	Displays whether to enable the Auto Master Mode.
	Encrypt Password	Displays whether to encrypt the password during SMB transmission.
	Job Time-Out	Displays the job time-out period.
Bonjour (mDNS)	Port Status	Displays the port status.
	Host Name	Displays the host name.
	Printer Name	Displays the printer name.
	Wide-Area Bonjour	Displays the status of the Wide-Area Bonjour feature.
Telnet	Port Status	Displays the port status.
	Connection Time-Out	Displays the connection time-out period.
SNMP	Port Status	Displays the port status.
	Enable SNMP v1/v2c Protocol	Displays the status of the SNMP v1/v2c feature.
	Enable SNMP v3 Protocol	Displays the status of the SNMP v3 feature.
SNTP	Port Status	Displays the port status.
	IP Address / Host Name	Displays the IP address or the host name of the SNTP server.
	Connection Time-Out	Displays the connection time-out period.
	Time Synchronization Interval	Displays the interval for performing time synchronization using SNTP.
AirPrint	Port Status	Displays the port status.
	Name	Displays the name of AirPrint.
	Location	Displays the location of the printer.
	Geo-Location	Displays the physical location of the printer.
Google Cloud Print	Port Status	Displays the port status.
	Registration state	Displays the registration state.
Proxy Server	Use Proxy Server	Displays the status of proxy server.
	Address to Bypass Proxy Server	Displays the address of the bypass proxy server.
	Server Name	Displays the server name.
	Port Number	Displays the port number.
	Authentication	Displays the status of authentication feature.

Authentication System	Authentication System Settings(for ColorTrack PRO)	Displays the authentication method.
SSL/TLS	HTTP - SSL/TLS Communication	Displays the status of the HTTP - SSL/TLS Communication.
	HTTP - SSL/TLS Communication Port Number	Displays HTTP - SSL/TLS Communication Port Number.
	LDAP - SSL/TLS Communication ^{*8}	Displays the status of the LDAP - SSL/TLS Communication.
	Verify Remote Server Certificate ^{*8}	Displays the status of the Verify Remote Server Certificate.
IPsec Settings	Protocol	Displays the protocol status.
	IKE	Displays IKE authentication.
802.1x ^{*1}	Enable IEEE 802.1x	Displays the status of IEEE 802.1x.
	Authentication Method	Displays the setting of authentication method for IEEE 802.1x.
IP Filter (IPv4) ^{*9}	Access List	Displays the list of IP addresses that are permitted or denied access to the printer.

*1 This item is available only when the printer is connected using an Ethernet cable.

*2 This item is available only when the printer is connected using the wireless network.

*3 This item is displayed when **IPv4 Mode** or **Dual Stack** in **IP Mode** is selected.

*4 This item is displayed when **IPv6 Mode** or **Dual Stack** in **IP Mode** is selected.

*5 This item is displayed only when **Use Manual Address** is set to **Enable**.

*6 This item is displayed only when an IP address has been assigned.

*7 This item is available only when using IPv6 dual mode.

*8 This item is displayed only when the optional hard disk is installed and is set to On for encryption.

*9 This item is available only for **LPD** or **Port9100**.

E-Mail Alert Setup Page

Purpose:

To verify the current settings of SMTP/POP (Simple Mail Transfer Protocol/Post Office Protocol) used for the E-Mail Alert feature. In this page, you can only verify the settings of items. If you want to change the settings, go to the pages in the **Print Server Settings** tab.

Values:

E-Mail Server Settings	Port Status	Displays the port status.
	Primary SMTP Gateway	Displays the primary SMTP (Simple Mail Transfer Protocol) gateway.
	SMTP Port Number	Displays the SMTP port number.
	E-Mail Send Authentication	Displays the authentication method for outgoing e-mail.
	POP3 Server Address	Displays the POP3 (Post Office Protocol 3) server address.
	POP3 Port Number	Displays the POP3 port number.
	Reply Address	Displays the IP address of servers connected with SMTP protocol when data is incoming.
	SMTP Server Connection	Displays the status of the SMTP server connection.

E-Mail Alert Settings	E-Mail List 1		Displays the acceptable e-mail addresses for the E-Mail Alert feature specified in E-Mail List 1 .
	Select Alerts for List 1	Supplies Alerts	Displays the e-mail alert receive status for consumables.
		Paper Handling Alerts	Displays the e-mail alert receive status for paper handling.
		Service Call	Displays the e-mail alert receive status for service calls.
	E-Mail List 2		Displays the acceptable e-mail addresses for the E-Mail Alert feature specified in E-Mail List 2 .
	Select Alerts for List 2	Supplies Alerts	Displays the e-mail alert receive status for consumables.
Paper Handling Alerts		Displays the e-mail alert receive status for paper handling.	
Service Call		Displays the e-mail alert receive status for service calls.	

Print Server Settings

The **Print Server Settings** tab includes the **Basic Information**, **Port Settings**, **TCP/IP**, **SMB**, **E-Mail Alert**, **Bonjour (mDNS)**, **SNMP**, **SNTP**, **Wireless LAN**, **AirPrint**, **Google Cloud Print**, **Proxy Server**, and **Reset Print Server** pages.


Basic Information

Purpose:

To configure basic information of the printer.

Values:

System Settings	Printer Name	Sets the name of the printer.
	Location	Sets the location of the printer.
	Contact Person	Sets the contact name, number, and other information of the printer administrator and service center.
	Administrator E-Mail Address	Sets the contact address of the printer administrator and service center.
EWS Settings	Asset Tag Number	Enters the asset tag number for the printer.
	Auto Refresh	Automatically refreshes the contents of the status display pages.
	Auto Refresh Interval	Sets the time interval for refreshing the contents of the status display pages automatically from 15 to 600 seconds.

 **NOTE:** The **Auto Refresh** feature is effective for the contents of the top frame, **Printer Status** page, **Job List** page, and **Completed Jobs** page.

Port Settings


Purpose:

To enable or disable printing ports and management protocol features.

Values:

Ethernet ^{*1}	Ethernet Settings	Auto	Detects the Ethernet transmission rate and the duplex settings automatically.
		10Base-T Half-Duplex	Selects 10Base-T Half-Duplex as the default value.
		10Base-T Full-Duplex	Selects 10Base-T Full-Duplex as the default value.
		100Base-TX Half-Duplex	Selects 100Base-TX Half-Duplex as the default value.
		100Base-TX Full-Duplex	Selects 100Base-TX Full-Duplex as the default value.
		1000Base-T Full-Duplex	Selects 1000Base-T Full-Duplex as the default value.
		Current Ethernet Settings	Displays the current settings of the Ethernet.
	MAC Address	Displays the MAC address of the printer.	
Port Status	LPD	Sets whether to enable LPD.	
	Port9100	Sets whether to enable Port9100.	
	IPP	Sets whether to enable IPP.	
	WSD Print	Sets whether to enable WSD Print.	
	FTP	Sets whether to enable FTP.	
	SMB	Sets whether to enable SMB.	
	Bonjour (mDNS)	Sets whether to enable Bonjour (mDNS).	
	E-Mail Alert	Sets whether to enable E-Mail Alert.	
	Telnet	Sets whether to enable Telnet.	
	SNMP	Sets whether to enable SNMP.	
	SNTP	Sets whether to enable SNTP.	
	Google Cloud Print	Sets whether to enable Google Cloud Print.	

^{*1} This item is available only when the printer is connected using an Ethernet cable.

 **NOTE:** The settings in the **Port Settings** page will be valid only when the printer is rebooted. When you change or configure the settings, click the **Apply New Settings** button to apply the new settings.

TCP/IP

Purpose:

To configure the IP address, subnet mask, and gateway address of the printer.

Values:

TCP/IP Settings	IP Mode	Sets the IP mode.	
	Host Name	Sets the host name.	
	IPv4	IP Address Mode	Sets the method for acquiring the IP address.
		Manual IP Address	When an IP address is being set manually, the IP is allocated to the printer using the format nnn.nnn.nnn.nnn. Each octet that makes up nnn.nnn.nnn.nnn is a value in the range of 0 to 254. 127 and any value in the range of 224 to 254 cannot be specified for the first octet of a gateway address.
		Manual Subnet Mask	When an IP address is being set manually, the subnet mask is specified using the format nnn.nnn.nnn.nnn. Each octet that makes up nnn.nnn.nnn.nnn is a value in the range of 0 to 255. 255.255.255.255 cannot be specified as the subnet mask.
		Manual Gateway Address	When an IP address is being set manually, the gateway address is specified using the format nnn.nnn.nnn.nnn. Each octet that makes up nnn.nnn.nnn.nnn is a value in the range of 0 to 254. 127 and any value in the range of 224 to 254 cannot be specified for the first octet of a gateway address.
		IPv6	Enable Stateless Address
	Use Manual Address	Select the check box to set the IP address manually.	
	Get IP Address from DHCP	Allows you to enable or disable the automatic setting of the IP address via DHCP.	
	Manual Address	Sets the IP address. To specify an IPv6 address, enter the address followed by a slash (/) and then "64". For details, consult your system administrator.	
Manual Gateway Address	Sets the gateway address.		

DNS	DNS Domain Name	Sets the DNS domain name.	
	IPv4	Get DNS Server Address from DHCP	Allows you to enable or disable the automatic setting of the DNS server address via DHCP.
		Manual DNS Server Address	Manually sets the DNS server address in xxx.xxx.xxx.xxx format when Get DNS Server Address from DHCP is not selected.
	IPv6	Get DNS Server Address from DHCPv6-lite	Select the check box to get the DNS server address automatically from the DHCPv6-lite server.
		Manual DNS Server Address	Sets the DNS server address.
		DNS Dynamic Update (IPv4)	Select the check box to enable dynamic updates to DNS.
		DNS Dynamic Update (IPv6)	Select the check box to enable dynamic updates to DNS.
		Auto Generate Search List	Select the check box to automatically generate the search list.
		Search Domain Name	Sets the search domain name. Up to 255 alphanumeric characters, periods, and hyphens can be used. If you need to specify more than one domain name, separate them using a comma or semicolon.
		Time-out	Sets the time-out period between 1 and 60 seconds.
Priority to IPv6 DNS Name Resolution	Select the check box to enable the DNS Name Resolution feature.		
WINS	WINS Mode	Allows you to enable or disable the automatic setting of the primary and secondary WINS server addresses via DHCP.	
	WINS Primary Server	Manually sets the primary WINS server address in xxx.xxx.xxx.xxx format when WINS Mode is not selected.	
	WINS Secondary Server	Manually sets the secondary (backup) WINS server address in xxx.xxx.xxx.xxx format when WINS Mode is not selected.	
LPD	Connection Time-Out	Sets the connection time-out period from 1 to 3,600 seconds.	
	IP Filter (IPv4)	Click IP Filter (IPv4) to set the IP Filter settings on the IP Filter (IPv4) page.	
Port9100	Port Number	Sets the port number from 9,000 to 9,999.	
	Connection Time-Out	Sets the connection time-out period between 1 and 1,000 seconds.	
IPP	IP Filter (IPv4)	Click IP Filter (IPv4) to set the IP filter settings on the IP Filter (IPv4) page.	
	Printer URI	Displays the printer URI.	
	Connection Time-Out	Sets the connection time-out period from 1 to 1,000 seconds.	
	Port Number	Displays the port number for receiving requests from the client.	
	Maximum Sessions	Displays the maximum number of connections received simultaneously by the client.	

WSD	Port Number	Sets the port number to 80 or from 8,000 to 9,999.
	Receive Time-Out	Sets the receive time-out period from 1 to 65,535 seconds.
	Notification Time-Out	Sets the notification time-out period from 1 to 60 seconds.
	Maximum Number of TTL	Sets the maximum number of TTL from 1 to 10.
	Maximum Number of Notification	Sets the maximum number of notifications from 10 to 20.
FTP	Password	Sets the password for FTP.
	Re-enter Password	Enter the password again to confirm it.
	Connection Time-Out	Sets the connection time-out period from 1 to 1000 seconds.
HTTP	Port Number	Sets the port number to 80 or from 8,000 to 9,999.
	Simultaneous Connections	Displays the maximum number of simultaneous connections.
	Connection Time-Out	Sets the connection time-out period from 1 to 255 seconds.
Telnet	Password	Sets the password for Telnet.
	Re-enter Password	Confirms the set password.
	Connection Time-Out	Sets the connection time-out period from 1 to 1,000 seconds.

To configure the IP Filter feature, enter an IP address to be filtered in the Address field and the subnet mask in the Address Mask field. Enter a numeric value between 0 and 255 in each field. "*" is appended to the current value.

IP Filter Setup Procedure

You can set up to a maximum of five items and the first item set takes priority. When setting multiple filters, enter the shortest address first followed by a slightly longer address, a longer address and so on.

Enabling Printing From a Specified User

The following describes the procedure to enable printing only from the "192.168.100.10" IP address.

- 1 Click the first column of the **Access List** row 1.
- 2 Enter "192.168.100.10" in the **Address** field and "255.255.255.255" in the **Address Mask** field.
- 3 Select **Accept**.
- 4 Click **Apply New Settings**.

Disabling Printing From a Specified User

The following describes the procedure to disable printing only from the "192.168.100.10" IP address.

- 1 Click the first column of the **Access List** row 1.
- 2 Enter "192.168.100.10" in the **Address** field and "255.255.255.255" in the **Address Mask** field.
- 3 Select **Reject**.
- 4 Click the first column of the **Access List** row 2.
- 5 Enter "0.0.0.0" in the **Address** field and "0.0.0.0" in the **Address Mask** field.
- 6 Select **Accept**.
- 7 Click **Apply New Settings**.

Enabling and Disabling Printing from Network Addresses

You can enable printing from the "192.168" network address and disable printing from the "192.168.200" network address.

The example below describes how to enable printing from the "192.168.200.10" IP address.

- 1 Click the first column of the **Access List** row 1.
- 2 Enter "192.168.200.10" in the **Address** field and "255.255.255.255" in the **Address Mask** field.
- 3 Select **Accept**.
- 4 Click the first column of the **Access List** row 2.
- 5 Enter "192.168.200.0" in the **Address** field and "255.255.255.0" in the **Address Mask** field.
- 6 Select **Reject**.
- 7 Click the first column of the **Access List** row 3.
- 8 Enter "192.168.0.0" in the **Address** field and "255.255.0.0" in the **Address Mask** field.
- 9 Select **Accept**.
- 10 Click **Apply New Settings**.

SMB

Purpose:

To specify the setting of the Server Message Block (SMB) protocol.

Values:

Host Name	Sets the host name of the server computer.
Workgroup	Sets the workgroup.
Maximum Sessions	Sets the maximum number of sessions.
Unicode Support	Sets whether to notify the host name and workgroup name in Unicode characters during SMB transmission.
Auto Master Mode	Sets whether to enable the Auto Master Mode.
Encrypt Password	Sets whether to encrypt the password.
Job Time-Out	Sets the job time-out period between 60 and 3,600 seconds.
Connection Time-Out	Sets the connection time-out period between 60 and 3,600 seconds.

E-Mail Alert

Purpose:

To configure detailed settings of **E-Mail Alert**. This page can also be displayed by clicking the **E-Mail Alert** in the left frame.

Values:

E-Mail Server Settings	Primary SMTP Gateway	Sets the primary SMTP gateway.
	SMTP Port Number	Sets the SMTP port number. This must be 25, 587 or between 5,000 and 65,535.
	E-Mail Send Authentication	Sets the authentication method for outgoing e-mail.

	SMTP Login User	Sets the SMTP login user. Up to 63 alphanumeric characters, periods, hyphens, underscores, and at symbols (@) can be used. If specifying more than one address, separate them using commas.	
	SMTP Login Password	Sets the SMTP account password using up to 31 alphanumeric characters.	
	Re-enter SMTP Login Password	Confirms the set SMTP account password.	
	POP3 Server Address ^{*1}	Sets the POP3 server address in IP address format of "aaa.bbb.ccc.ddd" or as a DNS host name using up to 63 characters.	
	POP3 Port Number ^{*1}	Sets the POP3 server port number. This must be 110 or between 5,000 and 65,535.	
	POP User Name ^{*1}	Sets the POP3 account user name. Up to 63 alphanumeric characters, periods, hyphens, underscores, and at symbols (@) can be used. If specifying more than one address, separate them using commas.	
	POP User Password ^{*1}	Sets the POP3 account password using up to 31 alphanumeric characters.	
	Re-enter POP User Password ^{*1}	Confirms the set password.	
	Reply Address	Designates the reply e-mail address sent with each E-mail Alert.	
	SMTP Server Connection	Displays the status of the SMTP server connection.	
E-Mail Alert Settings	E-Mail List 1	Sets acceptable e-mail addresses for the E-Mail Alert feature using up to 255 alphanumeric characters.	
	Select Alerts for List 1	Supplies Alerts	Select the check box to receive an E-Mail Alert for consumables.
		Paper Handling Alerts	Select the check box to receive an E-Mail Alert for paper handling.
		Service Call	Select the check box to receive an E-Mail Alert for Service Calls.
	E-Mail List 2	Sets acceptable e-mail addresses for the E-Mail Alert feature using up to 255 alphanumeric characters.	
	Select Alerts for List 2	Supplies Alerts	Select the check box to receive an E-Mail Alert for consumables.
		Paper Handling Alerts	Select the check box to receive an E-Mail Alert for paper handling.
		Service Call	Select the check box to receive an E-Mail Alert for Service Calls.

^{*1} This item is available only when **POP before SMTP (Plain)** or **POP before SMTP (APOP)** for **E-Mail Send Authentication** is selected.

Bonjour (mDNS)

Purpose:

To configure the detailed settings of Bonjour.

Values:

Host Name	Sets the host name up to 63 alphanumeric characters and "-" (dash). The original setting will remain valid if no input is made.
Printer Name	Sets the printer name up to 63 alphanumeric characters and symbol sets. The original setting will remain valid if no input is made.
Wide-Area Bonjour	Select the check box to enable the Wide-Area Bonjour protocol.

SNMP

Purpose:

To configure the detailed settings of SNMP.

Values:

SNMP Configuration	Enable SNMP v1/v2c Protocol	Select the check box to enable the SNMP v1/v2c protocol.
	Edit SNMP v1/v2c Properties	Click to display the SNMP v1/v2c page and to edit the setting of SNMP v1/v2c protocol from the page.
	Enable SNMP v3 Protocol	Select the check box to enable the SNMP v3 protocol.
	Edit SNMP v3 Properties	Click to display the SNMP v3 page and to edit the setting of SNMP v3 protocol from the page. You can click this item only when SSL communication is enabled.

SNMP v1/v2c

Purpose:

To edit the detailed settings of SNMP v1/v2 protocol.

To enter this page, click **Edit SNMP v1/v2 Properties** in the **SNMP** page.

Values:

Community Name	Community Name (Read only) ^{*1}	Sets the community name to access (read only) data using up to 31 alphanumeric characters. The original setting will remain valid if no input is made. Characters entered for community name in the previous settings will not be displayed on the screen. The default Read Community is public.
	Re-enter Community Name (Read only) ^{*1}	Enters the community name to access (read only) data again to confirm it.
	Community Name (Read/Write) ^{*1}	Sets the community name to access (read and write) data using up to 31 alphanumeric characters. The original setting will remain valid if no input is made. Characters entered for community name in the previous settings will not be displayed on the screen. The default Read/Write Community is private.
	Re-enter Community Name (Read/Write) ^{*1}	Enters the community name to access (read and write) data again to confirm it.
	Community Name (Trap) ^{*1}	Sets the community name used for trap up to 31 alphanumeric characters. The original setting will remain valid if no input is made. Characters entered for Community Name (Trap) in the previous settings will not be displayed on the screen. The default Trap Community is "" (NULL).
	Re-enter Community Name (Trap) ^{*1}	Enters the community name used for trap again to confirm it.
Trap Notification 1-4	Trap Address Type	Select the check boxes to notify trap occurrence. In this case, specify the IP address and IP socket in the following format:
	Trap Address Port Number Notify	IPv4 Specify the IP address and IP socket in the nnn.nnn.nnn.nnn:mmmmm format. Each section of "nnn" is a variable value between 0 and 255. Note that values 127 and 224-254 are not valid for the first three-digits only. IP socket mmmmm is a variable value between 0 and 65,535. IPv6 Specify the IP address and IP socket in the xxxx:xxxx:xxxx:xxxx:xxxx:xxxx:xxxx:mmmmm format. Each section of "xxxx" is a hexadecimal variable value between 0 and ffff. IP socket mmmmm is a variable value between 0 and 65,535.
Authenticate Error Trap		Select the check box to notify Authenticate Error Trap.

^{*1} The default value can be changed by using **Dell Printer Configuration Web Tool**.

SNMP v3

Purpose:

To edit the detailed settings of SNMP v3 protocol.

To enter this page, click **Edit SNMP v3 Properties** in the **SNMP** page.

Values:

Administrator Account	Account Enabled	Select the check box to enable the administrator account.
	User Name	Enters the user name of the administrator account.
	Authentication Password	Sets the authentication password of the administrator account using 8 to 32 alphanumeric characters.
	Re-enter Authentication Password	Confirms the set password.
	Privacy Password	Sets the privacy password of the administrator account using 8 to 32 alphanumeric characters.
	Re-enter Privacy Password	Confirms the set password.
Print Drivers / Remote Client Account	Account Enabled	Select the check box to enable the print drivers and remote client account.
	Reset to default Password	Click to reset the password for the print drivers and remote client account to default.

SNTP


Purpose:

To configure the SNTP server settings in order to perform time synchronization through SNTP.

Values:

SNTP	IP Address / Host Name	Sets the IP address or the host name of the SNTP server.
	Connection Time-Out	Sets the connection time-out period from 1 to 120 seconds.
	Time Synchronization Interval	Sets the interval for performing time synchronization using SNTP.
	Last Connection Time	Displays the last date and time when your printer was connected to the SNTP server.
	Connection Status	Displays the status of the connections between the SNTP server and your printer.


Wireless LAN

 **NOTE:** Wireless LAN feature is available only when the printer is connected using the wireless network.

Purpose:

To configure the detailed setting for the wireless network.

To use the wireless adapter, be sure to disconnect the Ethernet cable.

 **NOTE:** Once wireless LAN is activated, wired LAN protocol will be disabled.

Values:

Wireless Settings	SSID	Sets the name that identifies the wireless network. Up to 32 alphanumeric characters can be entered.
	Network Type	Sets the network type from either Ad-Hoc or Infrastructure .
	MAC Address	Displays the MAC address of the wireless adapter for the printer.
	Link Channel	Displays the channel number of the wireless connection for the printer.
	Link Quality	Displays the quality of the wireless network connection for the printer.
Security Settings	Encryption	Select the encryption type from the list.

	No Security	Sets No Security to configure the wireless setting without specifying an encryption type from WEP, WPA-PSK, and WPA-Enterprise.
	WEP	Sets the WEP to use through the wireless network.
	WPA-PSK TKIP ^{*1, 2}	Sets the WPA-PSK TKIP to use through the wireless network.
	WPA-PSK AES/WPA2-PSK AES ^{*1, 2}	Sets the WPA-PSK AES/WPA2-PSK AES to use through the wireless network.
	WPA-Enterprise TKIP ^{*2, 3, 4}	Sets the WPA-Enterprise TKIP to use through the wireless network.
	WPA-Enterprise AES/WPA2-Enterprise AES ^{*2, 3, 4}	Sets the WPA-Enterprise AES/WPA2-Enterprise AES to use through the wireless network.
	Mixed Mode PSK ^{*1, 2}	Sets the Mixed Mode PSK to use through the wireless network. Mixed Mode PSK automatically selects the encryption type from either WPA-PSK TKIP, WPA-PSK AES, or WPA2-PSK AES.
	Mixed Mode Enterprise ^{*2, 3, 4}	Sets the Mixed Mode Enterprise to use through the wireless network. Mixed Mode Enterprise automatically selects the encryption type from either WPA-Enterprise TKIP, WPA-Enterprise AES, or WPA2-Enterprise AES.
WEP	Encryption	Select the WEP key code from either Hex or Ascii .
	WEP Key 1	Sets the WEP key set used through the wireless network only when WEP 128bit or WEP 64bit is selected for Encryption .
	Re-enter WEP Key 1	Enters the WEP key 1 again to confirm it.
	WEP Key 2	Sets the WEP key set used through the wireless network only when WEP 128bit or WEP 64bit is selected for Encryption .
	Re-enter WEP Key 2	Enters the WEP key 2 again to confirm it.
	WEP Key 3	Sets the WEP key set used through the wireless network only when WEP 128bit or WEP 64bit is selected for Encryption .
	Re-enter WEP Key 3	Enters the WEP key 3 again to confirm it.
	WEP Key 4	Sets the WEP key set used through the wireless network only when WEP 128bit or WEP 64bit is selected for Encryption .
	Re-enter WEP Key 4	Enters the WEP key 4 again to confirm it.
	Transmit Key ^{*6}	Sets the transmit key type from the list.
WPA-PSK	Pass Phrase	Sets the pass phrase.
	Re-enter Pass Phrase	Enters the pass phrase again to confirm it.
WPA-Enterprise ^{*4, 5}	EAP-Identity	Sets the EAP-Identity for the authentication.
	Authentication Method	Shows the authentication method.
	Login Name	Sets the login name for the authentication.
	Password	Sets the password.
	Re-enter Password	Enters the password again to confirm it.

-
- *1 For encryption, AES or TKIP method is used.
 - *2 This item is available only when **Infrastructure** is selected for **Network Type**.
 - *3 For authentication and encryption by digital certificate, AES or TKIP method is used.
 - *4 This item is displayed only when the optional hard disk is installed and is set to On for encryption.
 - *5 To activate the setting, import a certificate which supports wireless LAN (server/client) on the **SSL/TLS** pages, and enable the relevant certificate in advance.
 - *6 When **Auto** is selected for **Transmit Key**, the key set specified for **WEP Key 1** is used.
-

AirPrint

Purpose:

To configure the detailed setting of AirPrint.

Values:

AirPrint	Enable AirPrint	Click to enable the printer for AirPrint.
	Name	Enters the name that is to be displayed as an AirPrint printer.
	Location	Sets the location of the printer.
	Geo-Location	Sets the physical location of the printer.
Supply Levels	Cyan Toner Cartridge	Displays the cyan toner level.
	Magenta Toner Cartridge	Displays the magenta toner level.
	Yellow Toner Cartridge	Displays the yellow toner level.
	Black Toner Cartridge	Displays the black toner level.

Google Cloud Print

Purpose:

To register the printer to Google Cloud Print.

Values:

Google Cloud Print ^{*1}	(Registration state)	Displays the Google Cloud Print registration state.
	Register This Device to Google Cloud Print	Click to register the printer to Google Cloud Print.

^{*1} Google Cloud Print can only be used when the machine is using IPv4.

Proxy Server

Purpose:

To configure the Proxy Server settings.

Values:

Proxy Server	Use Proxy Server	Sets whether to enable the use of a proxy server.
	Address to Bypass Proxy Server	Sets the address to bypass proxy server.
	Server Name	Sets the name of the proxy server.
	Port Number	Sets the port number from 1 to 65535.
	Authentication	Sets whether to enable authentication.
	Login Name	Sets the login name for the proxy server.
	Password	Sets the login password for the proxy server.
Retype Password	Confirms the set password.	

Reset Print Server

Purpose:

To initialize NVRAM (non-volatile RAM) for the network feature and reboot the printer. You can also initialize NVRAM of the printer from **Reset Defaults** in the **Printer Settings** menu.

Values:

Initialize NIC NVRAM Memory and restart printer.	Click Start to initialize NVRAM, revert network settings to the factory default settings, and reboot the network capability.
Restart Printer	Click Start to reboot the printer.

Security

The Security tab includes **Set Password**, **Authentication System**, **Kerberos Server**, **LDAP Server**, **LDAP Authentication**, **SSL/TLS**, **IPsec**, **802.1x**, and **IP Filter (IPv4)**.

Set Password

Purpose:

To set or change the password that is required to access the setup parameters of the printer from the **Dell Printer Configuration Web Tool**. This page can also be displayed by clicking **Set Password** in the left frame.



NOTE: To restore the password to the default (NULL), initialize the non-volatile memory (NVM).



NOTE: You can set the password for access to Admin Settings from **Panel Lock** in **Printer Settings**.

Values:

Administrator Password	Sets the password using up to 128 alphanumeric characters (excluding spaces and colons). If more than 128 alphanumeric characters are specified, only the first 128 alphanumeric characters will be valid.
Re-enter Administrator Password	Confirms the set password.
Access denial by the authentication failure of the Administrator	Sets the amount of time the administrator should wait for the access to the printer setup from Dell Printer Configuration Web Tool . Sets the time period from 5 to 255 seconds. The access is denied if the time-out time is exceeded. If you set 0, this mode is disabled.

Authentication System

Purpose:

To specify the server authentication type, the server response time-out, or the search time-out.

Values:

Authentication Type (for ColorTrack PRO)	Authentication System Settings	Select the authentication system from the list.
Optional Information	Server Response Time-Out	Sets the amount of time the printer should wait for response from the server. Sets the time period from 1 to 75 seconds.
	Search Time-Out	Sets the amount of time the printer should wait for searching for the server. Sets the time period from 5 to 120 seconds.

Kerberos Server

Purpose:

To specify the settings for the Kerberos server.

Values:

Kerberos Server (for ColorTrack PRO)	IP Address / Host Name & Port	Sets the IP address or host name, and the port address. The port address must be 88 or between 5,000 and 65,535.
	Domain Name	Enter the domain name.

LDAP Server

Purpose:

To specify the settings of the LDAP server.

Values:

Server Information (for ColorTrack PRO)	IP Address / Host Name & Port	Sets IP address or the host name, and the port address. The port address must be 389, 3268, or between 5,000 and 65,535. ^{*1}
	LDAP Server	Displays the current software information of the LDAP server.
Optional Information (for ColorTrack PRO)	Search Directory Root	Enters the search directory root.
	Login Name	Enters the login name.
	Password	Enters the login password using 1 to 127 alphanumeric characters. If the password is left blank (NULL), you cannot log in to a server.
	Re-enter-Password	Enters the login password again to confirm it.
	Search Time-Out	Select Wait LDAP Server Limit to follow the time specified by the LDAP server. Select Wait to specify the time between 5 and 120 seconds.

^{*1} When the optional hard disk is installed, 636 and 3269 also can be specified as the port address.

LDAP Authentication

Purpose:

To specify the LDAP server authentication method.

Values:

LDAP Authentication (for ColorTrack PRO)	Authentication Method	Shows the authentication method.
	Use Added Text String	Select whether to use the added text string from the list.
	Text String Added to User Name	Enter the added text string.

SSL/TLS

Purpose:

To specify the settings for the SSL encryption communication to the printer, and set/delete the certificate used for IPsec, LDAPS, or Wireless LAN.

Values:

HTTP-SSL/TLS Communication ^{*1}	Select the check box to enable the HTTP-SSL/TLS Communication.
HTTP-SSL/TLS Communication Port Number	Sets the port number, which is not identical with that of HTTP for SSL/TLS. This must be 443 or between 8000 and 9999.
LDAP-SSL/TLS Communication ^{*1, 2}	Select the check box to enable the LDAP, and access is established using SSL/TLS communication.
Verify Remote Server Certificate ^{*2}	Select the check box to enable the Verify Remote Server Certificate function.
Generate Self-Signed Certificate ^{*3}	Click to display the Generate Self-Signed Certificate page and to create a security certification from the page. The Generate Self-Signed Certificate button is available only when the self-signed certificate is not generated.
	Public Key Method Select the public key method of the self-signed certificate.
	Size of Public Key Select the size of public key.
	Issuer Sets the issuer of SSL self-signed certificate.
	Generate Signed Certificate Click to generate the SSL self-signed certificate.
Upload Signed Certificate ^{*3, 4}	Click to display the Upload Signed Certificate page and to upload the certificate file to the device from the page.
	Password Enter the password to upload the certificate file.
	Re-enter Password Enter the password again for confirmation.
	File Name Click Browse to browse the file name to upload to the device.
	Import Click Import to upload the certificate file to the device.
Certificate Management ^{*3, 4}	Click to display the Certificate Management page and to manage a security certification from the page.
	Category Select the device to certificate.
	Certificate Purpose Select the connection to certificate.
	Certificate Order Select the order to certificate.
	Display the List Click to display the Certificate List page.
Certificate List ^{*3}	Category Displays the device to certificate selected at the Certificate Management page.
	Certificate Purpose Displays the connection to certificate selected at the Certificate Management page.
	Issued To Displays the list of certificate order.
	Validity Displays whether certificate is valid or not.
	Certificate Details Click to display the Certificate Details page. The SSL/TLS page is displayed when no item in the Issued To column is selected.
Certificate Details ^{*3}	Category Displays the device to certificate selected at the Certificate Management page or SSL/TLS page.
	Issued To Displays the device to certificate.

Issuer	Displays the issuer to certificate.
Serial Number	Displays the serial number of the device.
Public Key Method	Displays the public key method.
Size of Public Key	Displays the size of public key.
Valid From	Displays the time the certificate is valid.
Valid Until	Displays the time the certificate is invalid.
Status	Displays whether certificate is valid or not.
Certificate Purpose	Displays the purpose of certificate.
Certificate Selection Status	Displays the type of device certificate you selected.
E-mail Address	Displayed only when an e-mail address is specified in the certificate.
Use this certificate ^{*2}	Click to apply this certificate to the device.
Delete	Click to delete this certificate.
Export This Certificate ^{*2}	Click to export the certificate to the other device.

*1 This item is available only when the self-signed certificate has been generated.

*2 This item is displayed only when the optional hard disk is installed and is set to On for encryption.

*3 This item is effective only when connected via SSL/TLS (https). Only the administrator is allowed to display the pages.

*4 This item is displayed only when the optional hard disk is installed and is set to On for encryption. If not, **Certificate Details** is displayed.

IPsec

Purpose:

To specify the Security Architecture settings for Internet Protocol (IPsec) for encrypted communication to the printer.

Values:

IPsec Settings	Protocol	Select the check box to enable the protocol.
	IKE	Sets IKE authentication. Device Certificate is displayed on the list only when an effective digital signature is set up.
	Pre-Shared Key	Sets a shared key. Up to 255 alphanumeric characters, periods, and hyphens can be used.
	Re-enter Pre-Shared Key	Enters the shared key again to confirm it.
	Device Certificate ^{*1}	Displays the device certificate.
	IKE SA Lifetime	Sets the lifetime for IKE SA from 5 to 28,800 minutes.
	IPsec SA Lifetime	Sets the lifetime for IPsec SA from 5 to 2,880 minutes.
	DH Group	Sets the DH group.
	PFS	Select the check box to enable the PFS setting.
	Remote peers IPv4 address	Sets the IP address to connect to.
	Remote peers IPv6 address	Sets the IP address to connect to.
	Non IPsec communication policy	Allows communication with a device which does not support IPsec.

*1 This item is effective only when the optional hard disk is installed and is set to On for encryption.



NOTE: If IPsec is enabled with incorrect settings, you must disable it using the **IPsec** menu on the operator panel.

802.1x

Purpose:

To specify the settings for IEEE 802.1x authentication for encrypted communication to the printer.

Values:

Configure 802.1x	Enable IEEE 802.1x	Select the check box to enable IEEE 802.1x authentication.	
	Authentication Method	EAP-MD5 EAP-MS-CHAPv2 PEAP/MS-CHAPv2 EAP-TLS ^{*1, 2}	Selects the authentication method to use for IEEE 802.1x authentication.
	Login Name: (Device Name)	Sets the login name (device name) for IEEE 802.1x authentication using up to 128 alphanumeric characters.	
	Password	Sets the login password for IEEE 802.1x authentication using up to 128 alphanumeric characters.	
	Re-enter Password	Confirms the set login password.	
	Certificate Validation	Select the check box to enable Certificate Validation.	

*1 This item is displayed only when the optional hard disk is installed and is set to On for encryption.

*2 When this item is selected, **Password** and **Re-enter Password** need not to be specified.

IP Filter (IPv4)

Purpose:

To specify the IP address and subnet mask to be permitted or denied access to the printer.

Values:

Access List	Address	Sets the IP addresses that are permitted or denied access to the printer. Enter a numeric value between 0 and 255 in each field.	
	Address Mask	Sets the subnet mask that are permitted or denied access to the printer. Enter a numeric value between 0 and 255 in each field.	
	Active Mode	Reject	Rejects printing from specified network address.
		Accept	Permits printing from specified network address.
		Off	Disables the IP Filter feature for the specified IP address.

Copy Printer Settings

The Copy Printer Settings menu includes the Copy Printer Settings and Copy Printer Settings Report pages.

Copy Printer Settings

Purpose:

To copy the printer settings to one or more of the same model of the printer.


To copy the settings to another printer, specify the IP address and password of the printer to which the settings are copied in the **IP Address** text box and **Password** text box. Then, click the **Copy the settings to the Host in the above list** button. Copying the settings is complete. The connection time-out period is 60 seconds. After that, you can check whether the settings were copied to this page. And you need to check the **Copy the settings to the Host in the above list and reboot the printer** menu of the **Dell Printer Configuration Web Tool** in the destination printer to verify if the settings were actually copied or not.

If the settings can be copied but the printer configuration is different, the settings of only the same items are copied. Printer settings are simultaneously copied to printers of up to 10 IP addresses.

Copy Printer Settings Report

Purpose:

To verify whether the printer setting is copied to other printers successfully.

 **NOTE:** The history is cleared by turning off the printer.

Print Volume

The **Printer Volume** menu includes the **Print Volume** and **Dell ColorTrack** pages.

Print Volume

Purpose:

To verify the number of printed pages. This page can also be displayed by clicking **Print Volume** in the left frame.

Values:

Printer Page Count	Displays the total number of pages printed since the printer was shipped from the factory.
Paper Used	Displays the number of pages printed for each paper size.

Dell ColorTrack

Purpose:

To specify which users have access to color printing and to limit print volume per user.

Values:

ColorTrack Mode	Off	Enables to print the data with no authentication information.
	Internal Mode	Restricts printing based on the print user information registered in the internal server.
	External Mode	Restricts printing based on the print user information registered in the external server.
Non Registered User	Sets whether to permit the printing of data with no authentication information. To permit the printing for non-account user, select the check box.	
Non Registered User Password ^{*1}	Sets the password to be used for non-account user using 1 to 127 alphanumeric characters. If the password is left blank (NULL), you cannot log in to a server.	
Re-enter Non Registered User Password ^{*1}	Enter the password again to confirm it.	
ColorTrack Error Report	Sets whether to automatically print error-related information if printing using ColorTrack results in an error.	
Auto Color To Mono Print	Sets whether to print all print jobs in black and white even when color print is specified.	
User Registration ^{*2}	<p>Click Edit User Registration to display the Edit Print User Registration page.</p> <ul style="list-style-type: none"> To register a user, click Create to open the Print User Settings page. To delete a user, click Delete to open the Delete User page. Clicking Back returns the screen to the status prior to deleting the user. To confirm or change the registered user, click Confirm / Change to open the Print User Settings page. 	

User Registration No.	Displays the user registration number. The Delete User button is displayed when the user is already registered.
User Name	Sets the user name.
Password	Sets the user password using 4 to 12 alphanumeric characters.
Re-enter password	Enter the password again to confirm it.
Color Mode Limitation	Sets whether to limit color printing.
Upper Limit for Color Print	Sets the maximum number of pages allowed for color printing.
Cumulative Color Page Count	Displays the cumulative number of pages printed for color printing.
Upper Limit for Monochrome Print	Sets the maximum number of pages allowed for monochrome printing.
Cumulative Monochrome Page Count	Displays the cumulative number of pages printed for monochrome printing.
Setup Remote Authentication ^{*3}	Click to display the Authentication System page.

^{*1} The password must be set when **External Mode** is selected for **ColorTrack Mode** and **Non Registered User** is set to on.

^{*2} This item is displayed only when **ColorTrack Mode** is **Internal Mode**.

^{*3} This item is displayed only when **ColorTrack Mode** is **External Mode**.

Tray Settings

Use the **Tray Settings** menu to set the size and type of paper loaded in each paper source and specify which paper source to use in what order.

Values:

MPF Mode	Sets whether to use the printer driver settings for the size and type of paper loaded in the MPF.
MPF Paper Size ^{*1}	Sets the size of paper loaded in the MPF.
MPF Paper Type ^{*1}	Sets the type of paper loaded in the MPF.
MPF Custom Paper Size - Y ^{*1}	Sets the length of custom size paper loaded in the MPF.
MPF Custom Paper Size - X ^{*1}	Sets the width of custom size paper loaded in the MPF.
MPF Display Popup ^{*1}	Sets whether to display a popup message that prompts the user to set the paper size and type when the paper is loaded in the MPF.
Tray 1 Paper Size	Sets the size of paper loaded in tray1.
Tray 1 Paper Type	Sets the type of paper loaded in tray1.
Tray 1 Custom Paper Size - Y	Sets the length of custom size paper loaded in tray1.
Tray 1 Custom Paper Size - X	Sets the width of custom size paper loaded in tray1.
Tray 1 Display Popup	Sets whether to display a popup message that prompts the user to set the paper size and type when the paper is loaded in tray1.
Tray 2 Paper Size ^{*2}	Sets the size of paper loaded in the optional 550-sheet feeder.
Tray 2 Paper Type ^{*2}	Sets the type of paper loaded in the optional 550-sheet feeder.


Tray 2 Custom Paper Size - Y ^{*2}	Sets the length of custom size paper loaded in the optional 550-sheet feeder.
Tray 2 Custom Paper Size - X ^{*2}	Sets the width of custom size paper loaded in the optional 550-sheet feeder.
Tray 2 Display Popup ^{*2}	Sets whether to display a popup message that prompts the user to set the paper size and type when the paper is loaded in the optional 550-sheet feeder.
1st Priority	Sets the paper source to be used as the first priority.
2nd Priority	Sets the paper source to be used as the second priority.
3rd Priority ^{*2}	Sets the paper source to be used as the third priority.

^{*1} This item is available only when **Panel Specified** in **MPF Mode** is selected.

^{*2} This item is available only when the optional 550-sheet feeder is installed.

Understanding the Tool Box Menus

The Tool Box allows you to view, specify, and diagnose the system settings.


 **NOTE:** A Password dialog box appears the first time you try to change settings on Tool Box when Panel Lock is set on the printer. In this case, input the password that you have already specified, and click OK to apply the settings.


Starting the Tool Box

- 1 Click Start→ All Programs→ Dell Printers→ Dell C3760 Color Laser Printer→ Tool Box.

The screen to select the printer appears.

- 2 Click Network Connection or USB Connection, and then select the printer listed in Select From the Found Printers.

 **NOTE:** If the printer is not listed in **Select From the Found Printers** when you click **Network Connection**, click **Directly Input IP Address/Host Name** and enter the IP address of the printer. For details about how to verify the IP address of the printer, see "Verifying the IP Settings."

 **NOTE:** On Microsoft® Windows® XP or Windows Server® 2003, printers using IPv6 addresses cannot be detected.

- 3 Click OK.

The Tool Box opens.

The Tool Box consists of the Printer Setting Reports, Printer Maintenance, and Diagnosis tabs.

Printer Setting Reports

The Printer Setting Reports tab includes the Printer Information, Menu Settings, Reports, TCP/IP Settings, Tray Settings, Panel Language, and USB Direct Print Defaults pages.

Printer Information

Purpose:

To display the system information of the printer.

Values:

Dell Service Tag Number	Displays the service tag number of your printer.
Express Service Code	Displays the express service code number.
Printer Serial Number	Displays the serial number of your printer.
Printer Type	Displays the type of printing for the printer. Color Laser is displayed normally.
Asset Tag Number	Displays the asset tag number of your printer.
Memory Capacity	Displays the memory capacity.
Processor Speed	Displays the processing speed.
Firmware Version	Displays the version of the controller.
Network Firmware Version	Displays the NIC version.
MCU Firmware Version	Displays the version of the Machine Control Unit (MCU) firmware.
Color Printing Speed	Displays the speed for color printing.
Monochrome Printing Speed	Displays the speed for monochrome printing.

Menu Settings

Purpose:

To display the menu settings of the printer.

Values:

System Settings	Power Saver Timer - Sleep	Displays the amount of transition time to the Sleep mode after the printer finishes a job.
	Power Saver Timer - Deep Sleep	Displays the amount of transition time between the Sleep mode and the Deep Sleep mode.
	Power Saver Timer - Auto-Off Timer ^{*1}	Displays the time it takes to automatically turn off the printer after the printer has entered the Deep Sleep mode.
	Auto Reset	Displays the amount of time before the printer automatically resets the settings on the operator panel to the defaults when no additional settings are made.
	Fault Time-out	Displays the amount of time the printer waits before canceling a job that stops abnormally.
	Job Time-out	Displays the amount of time the printer waits for data to arrive from the computer.
	mm / inch	Displays the measurement unit used on the operator panel.
	Default Paper Size	Displays the default paper size.
	Enable A4<>Letter Switch	Displays whether to print A4 size jobs on Letter size paper if A4 is not available in the paper trays and vice versa (Letter size job on A4 size paper).
	Auto Log Print	Displays whether to automatically print a job history report after every 20 jobs.
	Report 2 Sided Print ^{*2}	Displays whether to print reports on both sides of a sheet of paper.
	Print ID	Displays where to print a user ID on the output paper.
	Print Text	Displays whether the printer outputs PDL (Page Description Language) data (which is not supported by the printer) as text when the printer receives it.
	Banner Sheet Insert Position ^{*2}	Displays where to insert the banner sheet.
	Banner Sheet Specify Tray ^{*2}	Displays the banner sheet tray.
	RAM Disk ^{*3}	Displays whether to allocate RAM for the disk file system for the Secure Print, Private Mail Box Print, Public Mail Box Print, and Proof Print features.
	Substitute Tray	Displays an indication to use paper of a different size when the paper that is loaded in the specified tray does not match the paper size settings for the current job.
	Letterhead 2 Sided ^{*2}	Displays whether to print on both sides of a sheet of letterhead paper.
	Low Toner Alert Message	Displays whether to show the alert message when the toner is low.
	Use Another Tray	Displays whether to show a message to select another tray when the specified paper is not available in the paper tray.

Date & Time	Time Zone	Displays the selected time zone.
	Set Date	Displays the date setting.
	Set Time	Displays the time setting.
	Date Format	Displays the selected date format.
	Time Format	Displays the selected time format; 24 Hour or 12 Hour .
Audio Tone	Control Panel Tone	Displays whether to emit a tone when the operator panel input is correct. Off indicates that the tone is disabled.
	Invalid Key Tone	Displays whether to emit a tone when the operator panel input is incorrect. Off indicates that the tone is disabled.
	Machine Ready Tone	Displays whether to emit a tone when the printer becomes ready. Off indicates that the tone is disabled.
	Job Completed Tone	Displays whether to emit a tone when a print job is complete. Off indicates that the tone is disabled.
	Fault Tone	Displays whether to emit a tone when a job ends abnormally. Off indicates that the tone is disabled.
	Alert Tone	Displays whether to emit a tone when a problem occurs. Off indicates that the tone is disabled.
	Out of Paper Alert Tone	Displays whether to emit a tone when the printer runs out of paper. Off indicates that the tone is disabled.
	Low Toner Alert Tone	Displays whether to emit a tone when the toner is low. Off indicates that the tone is disabled.
Paper Density	Auto Clear Alert Tone	Displays whether to emit a tone 5 seconds before the printer performs auto clear. Off indicates that the tone is disabled.
	Plain	Displays the plain paper density settings.
	Label	Displays the label paper density settings.
Auto Registration Adjustment	Auto Registration Adjustment	Displays whether to automatically adjust color registration.
Non-Dell Toner	Non-Dell Toner	Displays whether to use toner cartridge of another manufacturer.
Adjust Altitude	Adjust Altitude	Displays the altitude of the location where the printer is installed.

*1 Auto-Off Timer feature is available only in certain regions.

*2 This item is available only for Dell™ C3760dn Color Laser Printer.

*3 This item is available only when the optional 512MB memory module is installed, and also when the optional hard disk is not installed.

Reports

Purpose:

To print the settings and history information of the printer.

The reports are printed in the paper size specified in system settings.

Values:

Printer Settings	Click this button to print a detailed list of the printer settings.
Panel Settings	Click this button to print a detailed list of the panel settings.
PCL Fonts List	Click this button to print a list of the PCL (Hewlett-Packard Printer Control Language) fonts.
PCL Macros List	Click this button to print a list of the PCL Macro.

PS Fonts List	Click this button to print a list of the PS fonts.
PDF Fonts List	Click this button to print a list of the PDF fonts.
Job History	Click this button to print the Completed Jobs history of the printer.
Error History	Click this button to print the error history of the printer.
Print Meter	Click this button to print the report for the total number of pages printed.
Color Test Page	Click this button to print a color test page.
Stored Documents ^{*1}	Click this button to print a list of the Stored Documents.

^{*1} You can print the list only when the RAM disk is enabled or the optional hard disk is installed.

TCP/IP Settings

Purpose:

To display the current settings of TCP/IP (Transmission Control Protocol/Internet Protocol).

Values:

IPv4	IP Address Mode	Displays the method for acquiring the IP address.
	IP Address	Displays the IP address of the printer.
	Subnet Mask	Displays the subnet mask.
	Gateway Address	Displays the gateway address.
IPv6	Use Manual Address	Displays whether to set the IP address manually.
	Manual Address	Displays the IP address of the printer.
	Link Local Address	Displays the link local address.

Tray Settings

Purpose:

To display the tray settings of the printer.

Values:

Tray Settings	MPF Mode	Displays whether the paper size and paper type for the multipurpose feeder (MPF) are specified from the printer driver or the operator panel.
	MPF Display Popup	Displays a popup menu that prompts to set the paper size and type when paper is loaded in the MPF.
	MPF Paper Size	Displays the paper size setting of the MPF.
	MPF Custom Size - Y	Displays the length of custom size paper loaded in the MPF.
	MPF Custom Size - X	Displays the width of custom size paper loaded in the MPF.
	MPF Paper Type	Displays the paper type setting of the MPF.
	Tray 1 Display Popup	Displays a popup menu that prompts to set the paper size and type when paper is loaded in tray1.
	Tray 1 Paper Size	Displays the paper size setting of tray1.
	Tray 1 Custom Size - Y	Displays the length of custom size paper loaded in tray1.
	Tray 1 Custom Size - X	Displays the width of custom size paper loaded in tray1.
	Tray 1 Paper Type	Displays the paper type setting of tray1.
Tray 2 Display Popup ^{*1}	Displays a popup menu that prompts to set the paper size and type when paper is loaded in the optional 550-sheet feeder (tray2).	

Tray 2 Paper Size ^{*1}	Displays the paper size setting of the optional 550-sheet feeder.
Tray 2 Custom Size - Y ^{*1}	Displays the length of custom size paper loaded in the optional 550-sheet feeder.
Tray 2 Custom Size - X ^{*1}	Displays the width of custom size paper loaded in the optional 550-sheet feeder.
Tray 2 Paper Type ^{*1}	Displays the paper type setting of the optional 550-sheet feeder.
Tray Priority	Tray Priority Displays the priority order of the paper trays.
^{*1} This item is available only when the optional 550-sheet feeder is installed.	

Panel Language

Purpose:

To display the panel language setting of the printer.

Values:

Panel Language	Displays the language that is used on the LCD panel.
----------------	------------------------------------------------------

USB Direct Print Defaults

Purpose:

To display the default settings for the USB Direct Print function of the printer.

Values:

Output Color	Displays the default color mode.
Select Tray	Displays the default tray.
2 Sided Printing ^{*1}	Displays whether to print on both sides of a sheet of paper.
Multiple-Up	Displays the default paper layout when Multiple-Up is selected.
Collation	Displays whether to sort the print job.

^{*1} This item is available only for Dell C3760dn Color Laser Printer.

Printer Maintenance

The Printer Maintenance tab includes the System Settings, Maintenance, Tray Settings, Panel Language, TCP/IP Settings, Network Settings, and USB Direct Print Defaults pages.

System Settings

Purpose:

To configure the power management of the printer, auto clear time, alarm tones, time-out time, date and time, mm/inch setting, job log auto print, Print ID, setting of the additional memory, and setting of the substitute tray.

Values:

Power Saver Timer	Sleep ^{*1}	Available Range: 1–60 minutes	Sets the amount of transition time to the Sleep mode after the printer finishes a job.
	Deep Sleep ^{*1}	Available Range: 1–60 minutes	Sets the amount of transition time between the Sleep mode and the Deep Sleep mode.
	Auto-Off Timer ^{*2}	0 Available Range: 60–1440 minutes	Sets the time it takes to automatically turn off the printer after the printer has entered the Deep Sleep mode.
Auto Reset	45 seconds		Sets the amount of time before the printer automatically resets the settings on the operator panel to the defaults when no additional settings are made.
	1 minute		
	2 minutes		
	3 minutes		
	4 minutes		
Fault Time-out	0		Sets the amount of time the printer waits before canceling a job when the job stops abnormally.
	Available Range: 3–300 seconds		
Job Time-out	0		Sets the amount of time the printer waits for additional data from the computer before it cancels the job.
	Available Range: 5–300 seconds		
Date & Time	Time Zone		Sets the time zone.
	Set Date		Sets the date.
	Set Time		Sets the time. You can select AM or PM when Time Format is set to 12 Hour.
	Date Format		Sets the date format.
	Time Format		Sets the time format in 24 Hour or 12 Hour.
Audio Tone	Control Panel Tone	Off	Does not emit a tone when the operator panel input is correct.
		On	Emits a tone when the operator panel input is correct.
	Invalid Key Tone	Off	Does not emit a tone when the operator panel input is incorrect.
		On	Emits a tone when the operator panel input is incorrect.
	Machine Ready Tone	Off	Does not emit a tone when the printer becomes ready.
		On	Emits a tone when the printer becomes ready.
	Job Completed Tone	Off	Does not emit a tone when a print job is complete.
		On	Emits a tone when a print job is complete.
	Fault Tone	Off	Does not emit a tone when a job ends abnormally.
		On	Emits a tone when a job ends abnormally.


Alert Tone	Off	Does not emit a tone when a problem occurs.
	On	Emits a tone when a problem occurs.
Out of Paper Alert Tone	Off	Does not emit a tone when the printer runs out of paper.
	On	Emits a tone when the printer runs out of paper.
Low Toner Alert Tone	Off	Does not emit a tone when the toner is low.
	On	Emits a tone when the toner is low.
Auto Clear Alert Tone	Off	Does not emit a tone before the printer performs auto clear.
	On	Emits a tone 5 seconds before the printer performs auto clear.
mm / inch	Millimeters(mm)	Selects millimeter or inch as the default measurement unit.
	Inches(")	
Default Paper Size	A4 (210x297mm)	Sets the default paper size.
	Letter (8.5x11")	
Enable A4<>Letter Switch	On	Prints A4 size jobs on Letter size paper if A4 is not available in the paper trays and vice versa (Letter size job on A4 size paper).
	Off	Does not print A4 size jobs on Letter size paper or Letter size jobs on A4 paper.
Auto Log Print	Off	Does not automatically print a job history report after every 20 jobs.
	On	Automatically prints a job history report after every 20 jobs.
Report 2 Sided Print ^{*3}	1 Sided	Prints reports on one side of a sheet of paper.
	2 Sided	Prints reports on both sides of a sheet of paper.
Print ID	Off	Does not print the user ID.
	Top Left	Prints the user ID on the specified location.
	Top Right	
	Bottom Left	
	Bottom Right	
Print Text	Off	Does not print the received PDL data as text data.
	On	Prints the received PDL data as text data.
Banner Sheet Insert Position ^{*3}	Off	Does not insert the banner sheet.
	Front	Sets where to insert the banner sheet.
	Back	
	Front & Back	
Banner Sheet Specify Tray ^{*3}	MPF	Sets the tray for the banner sheet.
	Tray 1	
	Tray 2 ^{*4}	
RAM Disk ^{*5}	Off	Does not allocate RAM for the disk file system. Secure Print, Private Mail Box Print, Public Mail Box Print, and Proof Print jobs will abort and be recorded to the job log.
	Available Range: 50–450MBytes	Allocates RAM for the disk file system automatically. (in 50 MB increments)

Substitute Tray	Off	No tray size substitute accepted.
	Larger Size	Substitutes paper of next largest size. When there is no larger paper size, the printer substitutes paper of nearest size.
	Nearest Size	Substitutes paper of nearest size.
	Use MPF	Substitutes paper from the MPF.
Letterhead 2 Sided ^{*3}	Disable	Does not print on both sides of a sheet of letterhead paper.
	Enable	Prints on both sides of a sheet of letterhead paper.
Low Toner Alert Message	On	Shows the alert message when the toner is low.
	Off	Does not show the alert message when the toner is low.
Use Another Tray	On	Sets to show a message to select another tray when the specified paper is not available in the paper tray.
	Off	Does not print on other paper sizes in other paper trays if the paper size specified in the job is not available.
Apply New Settings		After you change the settings, click this button to apply the changes.
Restart printer to apply new settings		Click this button to apply the changes.

*1 When you specify 1 minute for **Sleep**, the printer enters power saver mode 1 minute after it finishes a job. This uses much less energy, but requires more warm-up time for the printer. Specify 1 minute if your printer shares an electrical circuit with room lighting and you notice lights flickering.

Select a high value if your printer is in constant use. Under most circumstances, this keeps the printer ready to operate with minimum warm-up time.

Select a value between 1 and 60 minutes for the power saver mode if you want a balance between energy consumption and a shorter warm-up period.

The printer automatically returns to the standby mode from the power saver mode when it receives data from the computer. You can also return the printer to the standby mode by pressing the  (**Power Saver**) button on the operator panel.

*2 Auto-Off Timer feature is available only in certain regions.

*3 This item is available only for Dell C3760dn Color Laser Printer.

*4 This item is available only when the optional 550-sheet feeder is installed.

*5 This item is available only when the optional 512MB memory module is installed, and also when the optional hard disk is not installed.

Maintenance

 **CAUTION:** Using a non-Dell toner cartridge may severely damage your printer. The warranty does not cover damages caused by using non-Dell toner cartridges.

Purpose:

To configure the paper density, the color registration adjustments, the initialization of the printer, and other settings.

Values:

Paper Density	Plain	Light		Sets plain paper density.	
			Normal		
	Label	Light		Sets label paper density.	
			Normal		
Color Registration Adjustments	Auto Correct			Click Start to perform color registration automatically.	
	Print Color Regi Chart			Click Start to print a color registration chart.	
	Registration Adjustments	LY(Left Yellow)	Available Range:	-9 to +9	Sets lateral (perpendicular to paper feed direction) and process (paper feed direction) color adjustment values that are found in the color registration chart individually for Yellow, Magenta, and Cyan.
		LM(Left Magenta)	Available Range:	-9 to +9	
		LC(Left Cyan)	Available Range:	-9 to +9	
		RY(Right Yellow)	Available Range:	-9 to +9	
		RM(Right Magenta)	Available Range:	-9 to +9	
		RC(Right Cyan)	Available Range:	-9 to +9	
		PY(Process Yellow)	Available Range:	-9 to +9	
		PM(Process Magenta)	Available Range:	-9 to +9	
PC(Process Cyan)	Available Range:	-9 to +9			
Reset Defaults				Initializes the system parameters.	
Initialize Print Meter				Click Initialize Print Meter to initialize the Print Meter.	
Non-Dell Toner	Off			Disables the use of another manufacturer's toner cartridge.	
	On			Enables the use of another manufacturer's toner cartridge.	
Adjust Altitude	0 meter			Sets the altitude of the location where the printer is installed.	
	1000 meters				
	2000 meters				
	3000 meters				
Apply New Settings				After you change the settings, click this button to apply the changes.	

Restart printer to apply new settings

Click this button to apply the changes.

Tray Settings

Purpose:


To specify the paper types and sizes, and the tray priority for the MPF, tray1, and the optional 550-sheet feeder respectively.

Values:

Tray Settings	MPF Mode	Panel Specified Driver Specified	Sets whether the paper size and paper type for the MPF are specified from the printer driver or the operator panel.
	MPF Display Pop-up ^{*1}	On Off	Displays a popup message that prompts the user to set Paper Type and Paper Size when the paper is loaded in the MPF.
MPF Paper Size ^{*1}	Use Driver Settings	A4 (210x297mm)	Sets the size of paper loaded in the MPF.
		A5 (148x210mm)	
		B5 (182x257mm)	
		Letter (8.5x11")	
		Folio (8.5x13")	
		Legal (8.5x14")	
		Executive (7.3x10.5")	
		Envelope #10 (4.1x9.5")	
		Monarch Env. (3.9x7.5")	
		DL Env. (110x220mm)	
		C5 Env. (162x229mm)	
		Custom Size	
MPF Custom Size - Y ^{*1}	Available Range: 127–355 mm (5.0–14.0 inches)	Sets the length of custom size paper loaded in the MPF.	
MPF Custom Size - X ^{*1}	Available Range: 77–215 mm (3.0–8.5 inches)	Sets the width of custom size paper loaded in the MPF.	
MPF Paper Type ^{*1}	Plain	Plain Thick	Sets the type of paper loaded in the MPF.
		Covers(106–163g/m ²)	
		Covers Thick(164–216g/m ²)	
		Coated(106–163g/m ²)	
		Coated Thick(164–216g/m ²)	
		Label	
		Envelope	
		Recycled	
		Letterhead	
		Preprinted	
		Prepunched	
		Color	

	Plain - Side 2	
	Color - Side 2	
	Plain Thick - Side 2	
	Recycled - Side 2	
Tray 1 Display Popup	On Off	Displays a popup message that prompts the user to set Paper Type and Paper Size when the paper is loaded in tray1.
Tray 1 Paper Size	A4 (210x297mm) A5 (148x210mm) B5 (182x257mm) Letter (8.5x11") Folio (8.5x13") Legal (8.5x14") Executive (7.3x10.5") Custom Size	Sets the size of paper loaded in tray1.
Tray 1 Custom Size - Y	Available Range: 210–355 mm (8.3–14.0 inches)	Sets the length of custom size paper loaded in tray1.
Tray 1 Custom Size - X	Available Range: 148–215 mm (5.8–8.5 inches)	Sets the width of custom size paper loaded in tray1.
Tray 1 Paper Type	Plain Plain Thick Covers(106–163g/m ²) Covers Thick(164–216g/m ²) Coated(106–163g/m ²) Coated Thick(164–216g/m ²) Recycled Letterhead Preprinted Prepunched Color Plain - Side 2 Color - Side 2 Plain Thick - Side 2 Recycled - Side 2	Sets the type of paper loaded in tray1.
Tray 2 Display Popup ^{*2}	On Off	Displays a popup message that prompts the user to set Paper Type and Paper Size when the paper is loaded in the optional 550-sheet feeder.
Tray 2 Paper Size ^{*2}	Auto Custom Size	Sets the size of paper loaded in the optional 550-sheet feeder.
Tray 2 Custom Size - Y ^{*2}	Available Range: 210–355 mm (8.3–14.0 inches)	Sets the length of custom size paper loaded in the optional 550-sheet feeder.
Tray 2 Custom Size - X ^{*2}	Available Range: 148–215 mm (5.8–8.5 inches)	Sets the width of custom size paper loaded in the optional 550-sheet feeder.

Tray 2 Paper Type ^{*2}	Plain	Sets the type of paper loaded in the optional 550-sheet feeder.
	Plain Thick	
	Covers(106–163g/m ²)	
	Covers Thick(164–216g/m ²)	
	Coated(106–163g/m ²)	
	Coated Thick(164–216g/m ²)	
	Recycled	
	Letterhead	
	Preprinted	
	Prepunched	
	Color	
	Plain - Side 2	
	Color - Side 2	
	Plain Thick - Side 2	
Recycled - Side 2		
Tray Priority	MPF->Tray1	Sets the priority order of the paper trays.
	Tray1->MPF	
	MPF->Tray1->Tray2 ^{*2}	
	MPF->Tray2 ^{*2} ->Tray1	
	Tray1->MPF->Tray2 ^{*2}	
	Tray1->Tray2 ^{*2} ->MPF	
	Tray2 ^{*2} ->MPF->Tray1	
	Tray2 ^{*2} ->Tray1->MPF	
Apply New Settings	After you change the settings, click this button to apply the changes.	
Restart printer to apply new settings	Click this button to restart the printer and apply the changes.	
<p>^{*1} This item is available only when MPF Mode is set to Panel Specified.</p> <p>^{*2} This item is available only when the optional 550-sheet feeder is installed.</p>		

 **NOTE:** For details about the paper density for paper types, see "Paper Type Specifications."

Panel Language

Purpose:

To determine the language of the text on the LCD panel.

Values:

Panel Language	English	Sets the language to be used on the LCD panel.
	French	
	Italian	
	German	
	Spanish	
	Danish	
	Dutch	
	Norwegian	
Swedish		
Apply New Settings	After you change the settings, click this button to apply the changes.	
Restart printer to apply new settings	Click this button to apply the changes.	

TCP/IP Settings



NOTE: TCP/IP Settings is not available when IP Mode of the printer is set to IPv6 Mode.

Purpose:


To configure TCP/IP settings.

Values:

IP Address Mode	AutoIP	Automatically sets the IP address. A random value in the range of 169.254.1.0 to 169.254.254.255 that is not currently in use on the network is set as the IP address. The subnet mask is set as 255.255.0.0.
	BOOTP	Sets the IP address using BOOTP.
	RARP	Sets the IP address using RARP.
	DHCP	Sets the IP address using DHCP.
	Panel	Manually sets the IP address.
IP Address	Manually sets the IP address allocated to the printer. It is allocated to the printer using the format nnn.nnn.nnn.nnn. Each octet that makes up nnn.nnn.nnn.nnn is a value in the range of 0 to 254. 127 and any value in the range of 224 to 254 cannot be specified for the first octet of a gateway address.	
Subnet Mask	Manually sets the subnet mask. It is specified using the format nnn.nnn.nnn.nnn. Each octet that makes up nnn.nnn.nnn.nnn is a value in the range of 0 to 255. 255.255.255.255 cannot be specified as the subnet mask.	
Gateway Address	Manually sets the gateway address. It is specified using the format nnn.nnn.nnn.nnn. Each octet that makes up nnn.nnn.nnn.nnn is a value in the range of 0 to 254. 127 and any value in the range of 224 to 254 cannot be specified for the first octet of a gateway address.	
Apply New Settings	After you change the settings, click this button to apply the changes.	

Restart printer to apply new settings	Click this button to restart the printer and apply the changes.
---------------------------------------	-----------------------------------------------------------------

Network Settings

 **NOTE:** Network Settings is not available when the printer is connected using a USB cable.

Purpose:

To configure the setup of the printer using your web browser.

Values:

Print Server Settings ^{*1}	Display	Click to display the Print Server Setup page on the Dell Printer Configuration Web Tool .
Display of Dell Configuration Web Tool	Off	Does not display the server settings for the Dell Printer Configuration Web Tool .
	On	Displays the server settings for the Dell Printer Configuration Web Tool .
Apply New Settings		After you change the settings, click this button to apply the changes.
Restart printer to apply new settings		Click this button to restart the printer and apply the changes.

^{*1} This item is available only when **Display of Dell Configuration Web Tool** is set to **On**.

USB Direct Print Defaults

Purpose:

To create your own settings for USB Direct Print Defaults.

Values:

Output Color	Full Color	Prints in color mode.
	Black & White	Prints in black and white mode.
Select Tray	MPF	The paper is fed from the MPF.
	Tray 1	The paper is fed from tray1.
	Tray 2 ^{*1}	The paper is fed from the optional 550-sheet feeder.
2 Sided Printing ^{*2}	1 -> 1 Sided	Prints on one side of a sheet of paper.
	Long Edge Binding	Prints on both sides of a sheet of paper to be bound by long edge.
	Short Edge Binding	Prints on both sides of a sheet of paper to be bound by short edge.
Multiple-Up	Off	Prints one page on one side of a sheet of paper.
	2-Up	Prints two pages on one side of a sheet of paper.
	4-Up	Prints four pages on one side of a sheet of paper.
Collation	Collated	Sorts the print job.
	Uncollated	Does not sort the print job.
Apply New Settings		After you change the settings, click this button to apply the changes.
Restart printer to apply new settings		Click this button to restart the printer and apply the changes.

^{*1} This item is available only when the optional 550-sheet feeder is installed.

^{*2} This item is available only for Dell C3760dn Color Laser Printer.

Diagnosis

The Diagnosis tab includes the **Chart Print** and **Environment Sensor Info** pages.

Chart Print

Purpose:

To print various charts that can be used for diagnosis of the printer. The chart is printed to A4 or letter size paper.

Values:

Pitch Configuration Chart	Prints full halftone pages for yellow, magenta, cyan, and black. Also prints pages to check the pitch. A total of five pages are output.
Ghost Configuration Chart	Prints a chart to check for ghost printing. One page is printed.
4 Colors Configuration Chart	Bands of yellow, magenta, cyan, and black are printed with varying density. One page is printed.
Banding Detection Chart	Prints charts to check which color the banding occurred and the distance between each band.
MQ Chart	Prints charts to check for the banding in A4 or Letter.
Alignment Chart	Prints a chart to check for proper alignment of the print image on the paper. One page is printed.

Environment Sensor Info

Purpose:

To print the internal environment sensor information of the printer to **Result**.

Values:

Get Environment Sensor Info	Click this button to confirm the internal environment sensor information of the printer such as temperature and humidity.
-----------------------------	---------------------------------------------------------------------------------------------------------------------------

Resetting Defaults


After executing this function and rebooting the printer, the menu parameters are reset to their default values.

The following menu parameters are exceptions and are not reset.

- Network settings
- Panel Lock settings and password
- Function Enabled settings and passwords
- Login Error settings
- Set Available Time settings
- Secure Job Expiration settings
- USB Port settings
- Data Encryption settings
- Hard Disk Over write settings
- ColorTrack Mode settings
- ColorTrack Error Report settings
- Non Registered User settings

When Using the Tool Box

- 1 Click Start→ All Programs→ Dell Printers→ Dell C3760 Color Laser Printer→ Tool Box.

 **NOTE:** For details about starting the Tool Box, see "Starting the Tool Box."

The **Tool Box** opens.

- 2 Click the **Printer Maintenance** tab.
- 3 Select **Maintenance** from the list at the left side of the page.

The **Maintenance** page appears.

- 4 Click **Reset Default**.

The printer restarts automatically to apply the settings.

Understanding the Printer Menus

When your printer is connected to a network and available to a number of users, the access to the Admin Settings can be limited. This prevents other users from using the operator panel to inadvertently change a user default that has been set by the administrator.

However, you can use your printer driver to override user defaults and select settings for individual print jobs.

Report / List

Use the Report/List menu to print various types of reports and lists.

Printer Settings

Purpose:

To print a list of the current user default values, the installed options, the amount of installed print memory, and the status of printer supplies.

Panel Settings

Purpose:

To print a detailed list of all the settings of the printer menus.

PCL Fonts List

Purpose:

To print a sample of the available PCL fonts.

See also:

"Understanding Fonts"

PCL Macros List

Purpose:

To print the information on the downloaded PCL macro.

PS Fonts List

Purpose:

To print a sample of the available PS fonts.

See also:

"Understanding Fonts"

PDF Fonts List

Purpose:

To print a sample of the available PDF fonts.

Job History

Purpose:

To print a detailed list of the print jobs that have been processed. This list contains the last 20 jobs.

Error History

Purpose:

To print a detailed list of paper jams and fatal errors.

Print Meter

Purpose:

To print the reports for the total number of pages printed.

Color Test Page

Purpose:

To print a page for testing colors.

Stored Documents








NOTE: Stored Documents feature is available only when the optional 512 MB memory module is installed on the printer and RAM Disk under System Settings is enabled or the optional hard disk is installed.

Purpose:

To print a list of all files stored for Secure Print, Private Mail Box Print, Public Mail Box Print, and Proof Print in the RAM disk or the optional hard disk is installed.

Printing a Report/List Using the Operator Panel

- 1 Press the  (Menu) button.
- 2 Press the  button until Report/List is highlighted, and then press the  (Set) button.
- 3 Press the  button until the desired report or list is highlighted, and then press the  (Set) button.
The selected report or list is printed.

Printing a Report/List Using the Tool Box

- 1 Click Start → All Programs → Dell Printers → Dell C3760 Color Laser Printer → Tool Box.



NOTE: For details about starting the Tool Box, see "Starting the Tool Box."

The Tool Box opens.

- 2 Ensure that the Printer Setting Reports tab is open.
- 3 Select Reports from the list at the left side of the page.
The Reports page appears.
- 4 Click the button for the desired report or list.
The report or list is printed.

Admin Settings

Use the Admin Settings menu to configure a variety of printer features.

PCL

Use the PCL menu to change printer settings that only affect jobs using the PCL emulation printer language.



NOTE: Values marked by an asterisk (*) are the factory default menu settings.

Paper Tray

Purpose:

To specify the default paper tray.

Values:

Auto [*]
MPF
Tray1
Tray2 ^{*1}

^{*1} This item is available only when the optional 550-sheet feeder is installed.

Paper Size

Purpose:

To specify the default paper size.

Values:

mm series

A4 ^{*1}
A5
B5
Letter
Executive
Folio
Legal
Envelope #10
Monarch
DL
C5
Custom Size


^{*1} Denotes country-specific factory default value.

inch series

Letter ^{*1}
Executive
Folio
Legal
A4
A5
B5
Envelope #10
Monarch

DL
C5
Custom Size

*1 Denotes country-specific factory default value.

 **NOTE:** Selecting a custom size for the paper size prompts you to enter a custom length and width.

Orientation


Purpose:

To specify how text and graphics are oriented on the page.

Values:

Portrait*	Prints text and graphics parallel to the short edge of the paper.
Landscape	Prints text and graphics parallel to the long edge of the paper.

2 Sided

 **NOTE:** 2 Sided feature is available only for Dell C3760dn Color Laser Printer.

Purpose:

To specify whether to print on both sides of a sheet of paper.

Values:

2 Sided Print	Off*	Does not print on both sides of a sheet of paper.
	On	Prints on both sides of a sheet of paper.
Binding Edge	Flip on Long Edge*	Prints on both sides of a sheet of paper to be bound by long edge.
	Flip on Short Edge	Prints on both sides of a sheet of paper to be bound by short edge.

Font

Purpose:

To specify the default font from the fonts registered in the printer.

Values:

CG Times	LetterGothic	CourierPS
CG Times It	LetterGothic It	CourierPS Ob
CG Times Bd	LetterGothic Bd	CourierPS Bd
CG Times BdIt	Albertus Md	CourierPS BdOb
Univers Md	Albertus XBd	SymbolPS
Univers MdIt	Clarendon Cd	Palatino Roman
Univers Bd	Coronet	Palatino It
Univers BdIt	Marigold	Palatino Bd
Univers MdCd	Arial	Palatino BdIt
Univers MdCdIt	Arial It	ITCBookman Lt
Univers BdCd	Arial Bd	ITCBookman LtIt
Univers BdCdIt	Arial BdIt	ITCBookmanDm

AntiqueOlv	Times New	ITCBookmanDm It
AntiqueOlv It	Times New It	HelveticaNr
AntiqueOlv Bd	Times New Bd	HelveticaNr Ob
CG Omega	Times New BdIt	HelveticaNr Bd
CG Omega It	Symbol	HelveticaNrBdOb
CG Omega Bd	Wingdings	N C Schbk Roman
CG Omega BdIt	Line Printer	N C Schbk It
GaramondAntiqua	Times Roman	N C Schbk Bd
Garamond Krsv	Times It	N C Schbk BdIt
Garamond Hlb	Times Bd	ITC A G Go Bk
GaramondKrsvHlb	Times BdIt	ITC A G Go BkOb
Courier*	Helvetica	ITC A G Go Dm
Courier It	Helvetica Ob	ITC A G Go DmOb
Courier Bd	Helvetica Bd	ZapfC MdIt
Courier BdIt	Helvetica BdOb	ZapfDingbats

Symbol Set

Purpose:

To specify a symbol set for a specified font.

Values:

ROMAN-8*	WIN L1	ISO-6
ISO L1	WIN L2	ISO-11
ISO L2	WIN L5	ISO-15
ISO L5	DESKTOP	ISO-17
ISO L6	PS TEXT	ISO-21
PC-8	MC TEXT	ISO-60
PC-8 DN	MS PUB	ISO-69
PC-775	MATH-8	WIN 3.0
PC-850	PS MATH	WINBALT
PC-852	PI FONT	SYMBOL
PC-1004	LEGAL	WINGDINGS
PC-8 TK	ISO-4	DNGBTSM

Font Size

Purpose:


To specify the font size for scalable typographic fonts.

Values:

12.00*	Sets the values in increments of 0.25.
--------	----------------------------------------

Available Range: 4.00 – 50.00

Font size refers to the height of the characters in the font. One point equals approximately 1/72 of an inch.

 **NOTE:** The `Font Size` menu is only displayed for typographic fonts.

See also:

"Pitch and Point Size"

Font Pitch

Purpose:


To specify the font pitch for scalable mono spaced fonts.

Values:

10.00^{*} Sets the value in increments of 0.01.

Available Range: 6.00–24.00

Font pitch refers to the number of fixed-space characters in a horizontal inch of type. For non-scalable mono spaced fonts, the pitch is displayed, but cannot be changed.

 **NOTE:** The `Font Pitch` menu is only displayed for fixed or mono spaced fonts.

See also:

"Pitch and Point Size"

Form Line

Purpose:

To set the number of lines in a page.

Values:

mm series

64 mm^{*1} Sets the value in increments of 1 mm.

Available Range: 5–128 mm

^{*1} Denotes country-specific factory default values.

inch series

60 inches^{*1} Sets the value in increments of 1 inch.

Available Range: 5–128 inches

^{*1} Denotes country-specific factory default values.

The printer sets the amount of space between each line (vertical line spacing) based on the `Form Line` and `Orientation` menu items. Select the correct `Form Line` and `Orientation` before changing `Form Line`.

See also:

"Orientation"

Quantity

Purpose:

To set the default print quantity. (Set the number of copies required for a specific job from the printer driver. Values selected from the printer driver always override values selected from the operator panel.)

Values:

I*	Sets the value in increments of 1.
----	------------------------------------

Available Range: 1-999

Image Enhance

Purpose:

To specify whether to enable the Image Enhance feature, which makes the boundary line between black and white smoother to decrease jagged edges and enhance the visual appearance.

Values:

Off	Disables the Image Enhance feature.
On*	Enables the Image Enhance feature.

Hex Dump

Purpose:

To help isolate the source of a print job problem. With Hex Dump selected, all data sent to the printer is printed in hexadecimal and character representation. Control codes are not executed.

Values:

Disable*	Disables the Hex Dump feature.
Enable	Enables the Hex Dump feature.

Draft Mode

Purpose:

To save toner by printing in the draft mode. The print quality is reduced when printing in the draft mode.

Values:

Disable*	Does not print in the draft mode.
Enable	Prints in the draft mode.

Line Termination

Purpose:

To add the line termination commands.

Values:

Off*	The line termination command is not added. CR=CR, LF=LF, FF=FF
Add-LF	The LF command is added. CR=CR-LF, LF=LF, FF=FF
Add-CR	The CR command is added. CR=CR, LF=CR-LF, FF=CR-FF
CR-XX	The CR and LF commands are added. CR=CR-LF, LF=CR-LF, FF=CR-FF

Default Color

Purpose:

To specify the color mode to `Color` or `Black`. This setting is used for a print job that does not specify a print mode.

Values:

Black*	Prints in the black and white mode.
Color	Prints in the color mode.

Ignore FormFeed

Purpose:

To specify whether to ignore blank pages that only contain Form Feed control codes.

Values:

Off*	Disables the Ignore Form Feed feature.
On	Enables the Ignore Form Feed feature.

PDF

Use the `PDF` menu to change printer settings that only affect the PDF jobs.



NOTE: Values marked by an asterisk (*) are the factory default menu settings.

Quantity

Purpose:

To specify the number of copies to print.

Values:

1*	Sets the value in increments of 1.
----	------------------------------------

Available Range: 1–999

2 Sided Print



NOTE: 2 Sided Print feature is available only for Dell C3760dn Color Laser Printer.

Purpose:

To specify whether to print on both sides of a sheet of paper.

Value:

1 Sided*	Prints on one side of a sheet of paper.
Flip on Long Edge	Prints on both sides of a sheet of paper to be bound by long edge.
Flip on Short Edge	Prints on both sides of a sheet of paper to be bound by short edge.

Print Mode

Purpose:

To specify the print mode.

Value:

Normal*	For documents with normal sized characters.
High Quality	For documents with small characters or thin lines, or documents printed using a dot-matrix printer.
High Speed	Prints with the higher speed than the Normal mode, but the quality is less.

PDF Password

Purpose:

To specify the password to print the secure PDF.

Value:

Enter PDF Password	Enter the password to print the secure PDF.
--------------------	---------------------------------------------

Collation

Purpose:

To specify whether to sort the job.

Value:

Collated	Sorts the job.
Uncollated*	Does not sort the job.

Output Size

Purpose:

To specify the output paper size for PDF.

Value:

A4* ¹
Letter* ¹
Auto
* ¹ The default paper size is displayed.

Layout

Purpose:

To specify the output layout.

Value:

Auto %*
100% (No Zoom)
Booklet
2 Pages Up
4 Pages Up

Default Color

Purpose:


To specify the output color.

Value:

Color (Auto)*
Black

PostScript

Use the PostScript menu to change printer settings that only affect jobs using the PostScript emulation printer language.

 **NOTE:** Values marked by an asterisk (*) are the factory default menu settings.

PS Error Report

Purpose:

To specify whether the printer outputs error contents for a PostScript error.

The change becomes effective after the printer is turned off and then on again.

Values:

Off	Discards the print job without printing an error message.
On*	Prints an error message before it discards the job.

 **NOTE:** Instructions from the PS driver override the settings specified on the operator panel.

PS Job Time-out

Purpose:

To specify the execution time for one PostScript job. The change becomes effective after the printer is turned off and then on again.

Values:

Off*	Job time-out does not occur.
On	1 minute* Available Range: 1-900 minutes.
	A PostScript error occurs if processing is not completed after the specified time.

Paper Select Mode

Purpose:

To specify the way to select the tray for PostScript mode. The change becomes effective after the printer is turned off and then on again.

Values:

Auto*	The tray is selected as the same setting as in the PCL mode.
Select from Tray	The tray is selected in a method compatible with regular Post Script printers.

Default Color

Purpose:

To specify the color mode to Color or Black. This setting is used for a print job which does not specify a print mode.

Values:

Color*	Prints in the color mode.
Black	Prints in the black and white mode.

Network

Use the Network menu to change the printer settings affecting jobs sent to the printer through the wired or wireless network.



NOTE: Values marked by an asterisk (*) are the factory default menu settings.

Ethernet

Purpose:

To specify the communication speed and the duplex settings of Ethernet. The change becomes effective after the printer is turned off and then on again.

Values:

Auto*	Detects the Ethernet settings automatically.
10BASE-T Half	Uses 10BASE-T Half-duplex.
10BASE-T Full	Uses 10BASE-T Full-duplex.
100BASE-TX Half	Uses 100BASE-TX Half-duplex.
100BASE-TX Full	Uses 100BASE-TX Full-duplex.
1000BASE-T Full	Uses 1000BASE-T Full-duplex.

Wireless Status



NOTE: Wireless Status feature is available only when the printer is connected using the wireless network.

Purpose:

To confirm the wireless communication status.

Values:

Connection	(Good)
	(Acceptable)
	(Low)
	(No Reception)
SSID	Displays the name that identifies the wireless network.
Enc.	Displays the encryption type.

Wireless Setup



NOTE: Wireless Setup is available only when the printer is connected using the wireless network.


Purpose:

To configure the wireless network interface.

Values:

Select access		Select the access point from the list.	
	WEP Key Entry	When you select an access point using WEP as the security method, enter the WEP key. For 64bit keys, up to 10 hexadecimal characters can be entered. For 128bit keys, up to 26 hexadecimal characters can be entered.	
	PassPhrase Entry	When you select an access point using WPA, WPA2, or Mixed as the encryption type, enter the passphrase of 8 to 63 alphanumeric characters.	
Manual Setup	Enter Network (SSID)	Specifies a name to identify the wireless network. Up to 32 alphanumeric characters can be entered.	
	Infrastructure	Select when you configure the wireless setting through the access point such as a wireless router.	
	No Security	Specifies No Security to configure the wireless setting without specifying a encryption type from WEP, WPA-PSK-TKIP, and WPA-PSK-AES.	
	Mixed mode PSK*	Select to configure the wireless setting with the encryption type of Mixed mode PSK. Mixed mode PSK automatically selects the encryption type from either WPA-PSK-TKIP, WPA-PSK-AES, or WPA2-PSK-AES.	
		PassPhrase Entry	Specifies the passphrase of alphanumeric characters from 8 to 63.
	WPA-PSK-TKIP	Select to configure the wireless setting with the encryption type of WPA-PSK-TKIP.	
		PassPhrase Entry	Specifies the passphrase of alphanumeric characters from 8 to 63.
	WPA2-PSK-AES	Select to configure the wireless setting with the encryption type of WPA2-PSK-AES.	
		PassPhrase Entry	Specifies the passphrase of alphanumeric characters from 8 to 63.
	WEP	Specifies the WEP key to use through the wireless network. For 64bit keys, up to 10 hexadecimal characters can be entered. For 128bit keys, up to 26 hexadecimal characters can be entered.	
		Transmit Key	Specifies the transmit key from Auto*, WEP Key 1, WEP Key 2, WEP Key 3, and WEP Key 4.
	Ad-hoc	Select to configure the wireless setting without the access point such as a wireless router.	
		No Security*	Select to configure the wireless setting without specifying the encryption type from WEP.
	WEP	Specifies the WEP key to use through the wireless network. For 64bit keys, up to 10 hexadecimal characters can be entered. For 128bit keys, up to 26 hexadecimal characters can be entered.	
	Transmit Key	Specifies the transmit key from WEP Key 1*, WEP Key 2, WEP Key 3, and WEP Key 4.	

WPS Setup

 **NOTE:** WPS Setup is available only when the printer is connected using the wireless network.


Purpose:

To configure the wireless network using WPS.

Values:

Push Button Control	Cancel*	Cancels the wireless setting with the encryption type of WPS-PBC.
	Start	Configures the wireless setting with the encryption type of WPS-PBC.
PIN Code	Start Configuration	Configures the wireless setting using the PIN code assigned automatically by the printer.
	Print PIN Code	Prints the PIN code. Confirm it when entering PIN assigned to the printer into your computer.

Reset Wireless

 **NOTE:** Reset Wireless feature is available only when the printer is connected using the wireless network.

Purpose:

To initialize wireless network settings. After executing this function and rebooting the printer, all wireless network settings are reset to their default values.

TCP/IP

Purpose:

To configure TCP/IP settings.

Values:

IP Mode	Dual Stack*		Uses both IPv4 and IPv6 to set the IP address.
	IPv4 Mode		Uses IPv4 to set the IP address.
	IPv6 Mode		Uses IPv6 to set the IP address.
IPv4	Get IP Address	AutoIP*	Sets the IP address automatically. A random value in the range of 169.254.1.0 to 169.254.254.255 that is not currently in use on the network is set as the IP address. The subnet mask is set as 255.255.0.0.
		BOOTP	Sets the IP address using BOOTP.
		RARP	Sets the IP address using RARP.
		DHCP	Sets the IP address using DHCP.
		Panel	Use this option when you want to set the IP address manually on the operator panel.
	IP Address		
Subnet Mask			When an IP address is being set manually, the subnet mask is specified using the format nnn.nnn.nnn.nnn. Each octet that makes up nnn.nnn.nnn.nnn is a value in the range of 0 to 255. 255.255.255.255 cannot be specified as the subnet mask.

Gateway Address	When an IP address is being set manually, the gateway address is specified using the format nnn.nnn.nnn.nnn. Each octet that makes up nnn.nnn.nnn.nnn is a value in the range of 0 to 254. 127 and any value in the range of 224 to 254 cannot be specified for the first octet of a gateway address.
Ipsec	Disable* Disables Ipsec.

*1 Ipsec feature is available only when **IPsec** is enabled on the **Dell Printer Configuration Web Tool**.

Protocols

Purpose:


To enable or disable each protocol. The change becomes effective after the printer is turned off and then on again.

Values:

LPD	Disable	Disables the LPD port.
	Enable*	Enables the Line Printer Daemon (LPD) port.
Port9100	Disable	Disables the Port9100 port.
	Enable*	Enables the Port9100 port.
FTP	Disable	Disables the FTP port.
	Enable*	Enables the FTP port.
IPP	Disable	Disables IPP port.
	Enable*	Enables IPP port.
SMB TCP/IP	Disable	Disables SMB TCP/IP port.
	Enable*	Enables SMB TCP/IP port.
SMB NetBEUI	Disable	Disables SMB NetBEUI port.
	Enable*	Enables SMB NetBEUI port.
WSD Print	Disable	Disables WSD port.
	Enable*	Enables WSD port.
SNMP UDP	Disable	Disables the SNMP UDP port.
	Enable*	Enables the Simple Network Management Protocol (SNMP) UDP port.
E-mail Alert	Disable	Disables the E-mail Alert feature.
	Enable*	Enables the E-mail Alert feature.
EWS	Disable	Disables access to the Dell Printer Configuration Web Tool embedded in the printer.
	Enable*	Enables access to the Dell Printer Configuration Web Tool embedded in the printer.
Bonjour(mDNS)	Disable	Disables Bonjour (mDNS).
	Enable*	Enables Bonjour (mDNS).
Telnet	Disable	Disables Telnet.
	Enable*	Enables Telnet.
HTTP-SSL/TLS*1	Disable*	Disables HTTP-SSL/TLS.
	Enable	Enables HTTP-SSL/TLS.
Google Cloud Print	Disable*	Disables Google Cloud Print.
	Enable	Enables Google Cloud Print.

*1 HTTP-SSL/TLS feature is available only when a digital certificate is set from the **Dell Printer Configuration Web Tool**.

IP Filter

 **NOTE:** IP Filter feature is available only for LPD or Port9100.


Purpose:

To block data received from certain IP addresses through the wired or wireless network. You can set up to five IP addresses. The change becomes effective after the printer is turned off and then on again.

Values:

No. <i>n</i> / IP Address (<i>n</i> is 1–5.)		Sets the IP address for Filter <i>n</i> .
No. <i>n</i> / Mask (<i>n</i> is 1–5.)		Sets the address mask for Filter <i>n</i> .
No. <i>n</i> / Mode (<i>n</i> is 1–5.)	Off*	Disables the IP Filter feature for Filter <i>n</i> .
	Accept	Accepts an access from the specified IP address.
	Reject	Rejects an access from the specified IP address.

IEEE 802.1x

 **NOTE:** IEEE 802.1x feature is available only when the printer is connected using LAN cable and it is available only when the IEEE 802.1x authentication is enabled.

Purpose:

To disable IEEE 802.1x authentication. The change becomes effective after the printer is turned off and then on again.

Reset LAN

Purpose:

To initialize wired network data stored in non-volatile memory (NVM). After executing this function and rebooting the printer, all wired network settings are reset to their default values.

Adobe Protocol

Purpose:

To specify PostScript communication protocol for a parallel interface, you can configure the Adobe Protocol settings for the wired network. The change becomes effective after the printer is turned off and then on again.


Values:

Auto	Used when auto-detecting the PostScript communication protocol.
Standard	Used when the communication protocol is in ASCII interface.
BCP	Used when the communication protocol is in binary format.
TBCP*	Used when the communication protocol supports both ASCII and binary data to switch between them according to the specified control code.
Binary	Used when no special processing is required for data.

USB Settings

Use the USB Settings menu to change printer settings affecting a USB port.

USB Port

 **NOTE:** USB Port feature is available only for the USB port on the rear of the printer.

Purpose:

To specify whether to enable the USB port. The change becomes effective after the printer is turned off and then on again.

Values:

Disable	Disables the USB interface.
Enable*	Enables the USB interface.

Adobe Protocol**Purpose:**

To specify PostScript communication protocol for a parallel interface, you can configure the `Adobe Protocol` settings for the wired network. The change becomes effective after the printer is turned off and then on again.

Values:

Auto	Used when auto-detecting the PostScript communication protocol.
Standard	Used when the communication protocol is in ASCII interface.
BCP	Used when the communication protocol is in binary format.
TBCP*	Used when the communication protocol supports both ASCII and binary data to switch between them according to the specified control code.
Binary	Used when no special processing is required for data.

System Settings

Use `System Settings` to configure the power saving mode, warning tones, time-out duration, display language, and job log auto print settings.



NOTE: Values marked by an asterisk (*) are the factory default menu settings.

Power Saver Timer

CAUTION: If the `Auto-Off Timer` feature is set and the power is turned off, stored data in RAM Disk is cleared.

Purpose:

To specify the time for transition to power saver mode.

Values:

Sleep	6 minutes*	Specifies the time taken by the printer to enter Sleep mode after it finishes a job.
	Available Range: 1–60 minutes	
Deep Sleep	8 minutes*	Specifies the time taken by the printer to enter Deep Sleep mode after it has entered Sleep mode.
	Available Range: 1–60 minutes	
Auto-Off Timer* ¹	Off	Disables the Auto-Off Timer.
	On*	180 minutes* Available Range: 60–1440 minutes

*¹ Auto-Off Timer feature is available only in certain regions.

When you specify 1 minute for `Sleep`, the printer enters power saver mode 1 minute after it finishes a job. This uses much less energy, but requires more warm-up time for the printer. Specify 1 minute if your printer shares an electrical circuit with room lighting and you notice lights flickering.

Select a high value if your printer is in constant use. In most circumstances, this keeps the printer ready to operate with minimum warm-up time.

Select a value between 1 and 60 minutes for power saver mode if you want a balance between energy consumption and a shorter warm-up period.

The printer automatically returns to the standby mode from the power saver mode when it receives data from the computer. You can also change the status of the printer to the standby mode by pressing any button on the operator panel.

If the Auto-Off Timer feature turns off the printer, the printer cannot be turned back on automatically. To turn the printer back on, physically turn the power switch of the printer to On.

Auto Reset

Purpose:

To automatically reset the settings to the default settings and return to the standby mode after you do not specify any settings for the specified time.

Values:

45sec*
1min
2min
3min
4min

Fault Time-out

Purpose:

To specify the amount of time the printer waits before canceling a job that stops abnormally. The print job is cancelled if the time-out time is exceeded.

Values:

Off		Disables the fault time-out.
On*	60 seconds*	Sets the amount of time the printer waits before canceling a job that stops abnormally.
	Available Range: 3-300 seconds	

Job Time-out

Purpose:

To specify the amount of time the printer waits for data to arrive from the computer. The print job is cancelled if the time-out time is exceeded.

Values:

Off		Disables the job time-out.
On*	30 seconds*	Sets the time the printer waits for data to arrive from the computer.
	Available Range: 5-300 seconds	

Date & Time

Purpose:

To specify the date and time formats.

Values:

Set Date & Time	Time Zone	Sets the time zone.
	Date	Sets the date depending on the Date Format settings.
	Time	Sets the time.
Date Format		Sets the date format.
Time Format	12H	Sets the time in 12-hour format.
	24H*	Sets the time in 24-hour format.

Audio Tone

Purpose:

To configure settings for tones emitted by the printer during operation or when a warning message appears.

Values:

Control Panel	Off*	Does not emit a tone when the operator panel input is correct.
	On	Emits a tone when the operator panel input is correct.
Invalid Key	Off*	Does not emit a tone when the operator panel input is incorrect.
	On	Emits a tone when the operator panel input is incorrect.
Machine Ready	Off	Does not emit a tone when the printer is ready to process a job.
	On*	Emits a tone when the printer is ready to process a job.
Job Completed	Off	Does not emit a tone when a job is complete.
	On*	Emits a tone when a job is complete.
Fault Tone	Off	Does not emit a tone when a job ends abnormally.
	On*	Emits a tone when a job ends abnormally.
Alert Tone	Off	Does not emit a tone when a problem occurs.
	On*	Emits a tone when a problem occurs.
Out of Paper	Off	Does not emit a tone when the printer runs out of paper.
	On*	Emits a tone when the printer runs out of paper.
Low Toner Alert	Off	Does not emit a tone when a toner is low.
	On*	Emits a tone when a toner is low.
Auto Clear Alert	Off*	Does not emit a tone 5 seconds before the printer performs auto clear.
	On	Emits a tone 5 seconds before the printer performs auto clear.
All Tones	Off*	Disables all the alert tones.
	On	Enables all the alert tones at once.


mm / inch

Purpose:

To specify the default measurement unit displayed after the numeric value on the operator panel.

Values:

Millimeters (mm) [*]	Selects millimeter as the default measurement unit.
Inches (")	Selects inch as the default measurement unit.

 **NOTE:** The default for mm/inch varies depending on other settings, such as Country and Document Size.

Default Paper Size

Purpose:

To specify the default paper size.

Values:

mm series

A4 ^{*1}
Letter
^{*1} Denotes country-specific factory default values.

inch series

A4
Letter ^{*1}
^{*1} Denotes country-specific factory default values.

A4<>Letter Switch

Purpose:

To print A4 size jobs on Letter size paper if A4 is not available or to print Letter size jobs on A4 size paper if Letter size paper is not available.

Values:

Off ^{*1}	Does not print A4 size jobs on Letter size paper or Letter size jobs on A4 paper.
On [*]	Prints A4 size jobs on Letter size paper if A4 size paper is not available in the paper trays and vice versa (Letter size job on A4 size paper).
^{*1} Depending on the printer setting, the printer will continue to print on existing media of a different size or prompt the user to select from the following:	
• Delete Job	
• Supply with correct media	

Auto Log Print

Purpose:


To automatically print a job history report after every 20 jobs.

Values:

Off [*]	Does not automatically print a job history report.
On	Automatically prints a job history report.

Print logs can also be printed using the Report / List menu.

Report 2 Sided Print

 **NOTE:** Report 2 Sided Print feature is available only for Dell C3760dn Color Laser Printer.

Purpose:

To specify to print reports on both sides a sheet of paper.

Values:

1 Sided*	Prints reports on one side of a sheet of paper.
2 Sided	Prints reports on both side of a sheet of paper.


Print ID

Purpose:

To specify a location where the user ID is printed.

Values:

Off*	Does not print the user ID.
Top Left	Prints the user ID on the top left of the page.
Top Right	Prints the user ID on the top right of the page.
Bottom Left	Prints the user ID on the bottom left of the page.
Bottom Right	Prints the user ID on the bottom right of the page.

 **NOTE:** When printing on DL size paper, a part of the user ID may not be printed correctly.

Print Text

Purpose:

To specify whether the printer outputs PDL data, which is not supported by the printer, as text when the printer receives it. Text data is printed on A4 or Letter size paper.

Values:

Off	Does not print the received data.
On*	Prints the received data as text data.

Banner Sheet

Purpose:


To specify the position of banner sheet, and also specify the tray in which the banner sheet is loaded.


Values:

Insert Position	Off*	Does not print the banner sheet.
	Front	Inserted before the first page of every copy.
	Back	Inserted after the last page of every copy.
	Front & Back	Inserted before the first page of every copy and after the last page of every copy.
Specify Tray	MPF	The banner sheet is loaded in the MPF.
	Tray 1*	The banner sheet is loaded in tray1.
	Tray 2* ¹	The banner sheet is loaded in the optional 550-sheet feeder.

*1 This item is available only when the optional 550-sheet feeder is installed.

RAM Disk

 **NOTE:** RAM Disk feature is available only when the optional 512 MB memory module is installed on the printer.

 **NOTE:** RAM Disk feature is not available when the optional hard disk is installed.


Purpose:

To allocate memory to the RAM disk file system for the Secure Print, Private Mail Box Print, Public Mail Box Print, and Proof Print features. The change becomes effective after the printer is turned off and then on again.

Values:

Off		Does not allocate memory to the RAM disk file system. Secure Print, Private Mail Box Print, Public Mail Box Print, and Proof Print jobs will abort and be recorded to the job log.
On	300 MB*	Sets the allocation of memory to the RAM disk file system in increments of 50 MB.

Available Range:
50-450 MB

 **NOTE:** Restart your printer when you change the settings for the RAM Disk menu.

Substitute Tray

Purpose:

Specifies whether to use paper of a different size when the paper that is loaded in the specified tray does not match the paper size settings for the current job.

Values:

Off	No tray size substitute accepted.
Larger Size	Substitutes paper of next largest size. When there is no larger paper size, the printer substitutes paper of nearest size.
Nearest Size*	Substitutes paper of nearest size.
Use MPF	Substitutes paper from the MPF.


Set Available Time

Purpose:


Sets the available time for the Print function.

Values:

Print	Off*	Does not set the time when printing is available.	
	On		Sets the time when printing is available.
		Start Time	Sets the start time of the available time.
		End Time	Sets the end time of the available time.
		Recurrence	Sets the day of the week to repeat the setting.

 **NOTE:** Set Available Time can be configured when Print is set to On.

Secure Job Expiration

 **NOTE:** Secure Job Expiration feature is available only when RAM Disk is set to Enable or when the optional hard disk is installed.

Purpose:

To specify the date and time to delete the files stored as Secure Print in the RAM disk or the optional hard disk.

Values:

Expiration Mode	Off*	Does not set the date and time to delete the files stored as Secure Print in the RAM Disk or the optional hard disk.
	On	Sets the date and time to delete the files stored as Secure Print in the RAM Disk or the optional hard disk.
Expiration Time		Sets the time to delete the files stored as Secure Print in the RAM Disk or the optional hard disk.
Recurrence	Daily	Sets the recurrence to delete the files stored as Secure Print in the RAM Disk or the optional hard disk daily.
	Weekly*	Sets the recurrence to delete the files stored as Secure Print in the RAM Disk or the optional hard disk weekly.
	Monthly	Sets the recurrence to delete the files stored as Secure Print monthly.
Weekly Setting	Monday	Sets the day of the week to delete the files stored as Secure Print.
	Tuesday	
	Wednesday	
	Thursday	
	Friday	
	Saturday	
	Sunday*	
Monthly Setting	1 day*	Sets the day of the month to delete the files stored as Secure Print in the RAM Disk or the optional hard disk.
	Available Range: 1-28 days	

ColorTrack Mode**Purpose:**

To specify who has access to color printing.

Values:

Off*	Does not limit access to color printing.
Internal Mode	Limits access to color printing. Authentication is done using user information registered on the printer.
External Mode	Limits access to color printing. Authentication is done using an external authentication server.

Non Registered User**Purpose:**


To specify whether to permit the printing of data without authentication information.

Values:

Off*	Does not permit non-account user to print the data.
On* ¹	Permits non-account user to print the data.

*¹ Set **Non Account User Password** using the **Dell Printer Configuration Web Tool**.

Auto Color To Mono Print

 **NOTE:** Auto Color To Mono Print feature is available when Dell ColorTrack is disabled.

Purpose:

To specify whether to print all print jobs in black and white even when color print is specified.

Values:

Off*	Prints according to the specified color mode.
On	Prints all print jobs in black and white even when color print is specified.

ColorTrack Error Report


Purpose:

To specify whether to automatically print error-related information if printing with ColorTrack results in an error.

Values:

Off*	Does not print the error report when printing with ColorTrack results in an error.
On	Prints the error report when printing with ColorTrack results in an error.

Letterhead 2 Sided

 **NOTE:** Letterhead 2 Sided Mode feature is available only for Dell C3760dn Color Laser Printer.

Purpose:

To specify whether to print on both sides when using letterhead.

Values:

Disable*	Does not print on both sides of letterhead.
Enable	Prints on both sides of letterhead.

Low Toner Alert Msg

Purpose:

To specify whether to show the alert message when the toner is low.

Values:

Off	Does not show the alert message when the toner is low.
On*	Shows the alert message when the toner is low.

S/W Download

Purpose:

To enable or disable download of firmware updates.

Values:

Disable	Disables firmware updates.
Enable*	Enables firmware updates.


Use Another Tray

Purpose:

To change to another paper tray when a paper size runs out in the specified paper tray.

Values:

Off	Does not print on other paper sizes in other paper trays if the paper size specified in the job runs out.
On*	Shows a message to select another tray when the specified paper runs out in the paper tray.

 **NOTE:** If you select another paper tray with paper size smaller than the paper size specified in the job, the parts that do not fit are not printed (print size is not adjusted automatically).


Power On Wizard

Purpose:

To perform initial setup for the printer.

Maintenance

Use the Maintenance menu to initialize the NV (non-volatile) memory, configure the plain paper quality adjustment settings, and configure the security settings.

 **NOTE:** Values marked by an asterisk (*) are the factory default menu settings.

F/W Version

Purpose:

To confirm the current F/W version.

Service Tag

Purpose:

To confirm the service tag.

Express Code

Purpose:

To confirm the express service code.

Paper Density

Purpose:

To specify paper density settings.

Values:

Plain	Light
	Normal*
Label	Light
	Normal*

Adjust Transfer Belt Unit

Purpose:

To adjust the transfer bias when ghosting occur. (The ghost image may be the image of the previous page, or a part of the page currently printing)

Values:

K Offset	0*	If faint black colored ghosts appear, try to decrease the value.
	Available Range: -5 to +5	
YMC Offset	0*	If faint ghosts in color (yellow, magenta, or cyan) appear, try to decrease the value.
	Available Range: -5 to +5	

Adjust 2nd BTR

 **NOTE:** The print quality changes depending on the setting values you select for this item.

Purpose:

To specify the transfer roller voltage adjustment for each paper type.

Values:

Plain	0*	Sets the transfer roller voltage in increments of 1. The default settings may not give the best output on all paper types. If you see mottles on the print output, try to increase the voltage. If you see white spots on the print output, try to decrease the voltage.
	Available Range: (Lighten) -5 to (Darken) +10	
Plain Thick	0*	
	Available Range: (Lighten) -5 to (Darken) +10	
Covers	0*	
	Available Range: (Lighten) -5 to (Darken) +10	
Covers Thick	0*	
	Available Range: (Lighten) -5 to (Darken) +10	
Coated	0*	
	Available Range: (Lighten) -5 to (Darken) +10	
Coated Thick	0*	
	Available Range: (Lighten) -5 to (Darken) +10	
Label	0*	
	Available Range: (Lighten) -5 to (Darken) +10	
Envelope	0*	
	Available Range: (Lighten) -5 to (Darken) +10	
Recycled	0*	
	Available Range: (Lighten) -5 to (Darken) +10	

Adjust Fusing Unit

 **NOTE:** The print quality changes depending on the setting values you select for this item.

Purpose:

To adjust the temperature setting of the fusing unit for each paper type.

Values:

Plain	0*	Sets the fusing unit temperature in increments of 1. The default settings may not give the best output on all paper types. When the printed paper has curled, try to lower the temperature. When the toner does not fuse on the paper properly, try to increase the temperature.
	Available Range: (Lighten) -3 to (Darken) +3	
Plain Thick	0*	
	Available Range: (Lighten) -3 to (Darken) +3	
Covers	0*	
	Available Range: (Lighten) -3 to (Darken) +3	
Covers Thick	0*	
	Available Range: (Lighten) -3 to (Darken) +3	
Coated	0*	
	Available Range: (Lighten) -3 to (Darken) +3	
Coated Thick	0*	
	Available Range: (Lighten) -3 to (Darken) +3	
Label	0*	
	Available Range: (Lighten) -3 to (Darken) +3	
Envelope	0*	
	Available Range: (Lighten) -3 to (Darken) +3	
Recycled	0*	
	Available Range: (Lighten) -3 to (Darken) +3	

Auto Reg Adjust

Purpose:

To specify whether to automatically perform color registration adjustment.

Values:

Off	Does not automatically perform color registration adjustment.
On*	Automatically performs color registration adjustment.

Color Reg Adjust

Purpose:

To manually perform color registration adjustment.

Manual Color Registration Adjustments are required when the printer is initially installed and after the printer is moved.



NOTE: The Color Reg Adjust feature can be configured when Auto Reg Adjust is set to Off.

Values:

Auto Correct	Cancel*	Does not perform color registration correction.
	Start	Automatically performs color registration correction.
Color Regi Chart	Yes	Prints a color registration chart. The color registration chart prints a lattice pattern of yellow, magenta, and cyan lines. On the chart, find the values on the right side that are next to the line that is perfectly straight for each of the three colors. If the value for this line is 0, color registration adjustment is not required. If the value for this line is any value other than 0, specify the adjustment values under lateral adjustment and process adjustment in Enter Number.
	No*	Does not print a color registration chart.
Enter Number	LY	Available Range: -9 to +9 Sets lateral (perpendicular to paper feed direction) and process (paper feed direction) color adjustment values individually for Yellow, Magenta, and Cyan. Enter a number in order of lateral adjustment (left), lateral adjustment (right), and process adjustment. Press the ✓ (Set) button to save all the settings.
	LM	
	LC	
	RY	
	RM	Available Range: -9 to +9
	RC	
	PY	Available Range: -9 to +9
	PM	
PC		

Reset Defaults

Purpose:

To initialize the non-volatile (NV) memory. After executing this function and rebooting the printer, all the menu parameters are reset to their default values.

Initialize Print Meter

Purpose:

To initialize the print meter of the printer. When the print meter is initialized, the meter count is reset to zero.

Reset Fusing Unit

Purpose:

To initialize the life counter of the fusing unit. After replacing the fusing unit, be sure to initialize its life counter.

Reset Transfer Belt Unit

Purpose:

To initialize the life counter of the transfer belt unit. After replacing the transfer belt unit, be sure to initialize its life counter.

Clear Job History

Purpose:

To clear the job history of all finished jobs.

Clear Storage



NOTE: Clear Storage feature is available only when the additional 512 MB memory module is installed and RAM Disk is set to On or when the optional hard disk is installed.

Purpose:

To clear all files stored as Secure Print, Private Mail Box Print, Public Mail Box Print, Proof Print, and Stored Print in the Ram disk or the optional hard disk.

Values:

All Clear	Deletes all files stored as Secure Print, Private Mail Box Print, Public Mail Box Print, and Proof Print in the Ram disk or the optional hard disk.
Secure Document	Deletes all files stored as Secure Print in the Ram disk or the optional hard disk.
Stored Document	Deletes all files stored as Stored Print in the Ram disk or the optional hard disk.

Format Hard Disk



NOTE: Format Hard Disk feature is available only when the optional hard disk is installed.

Purpose:

To initialize the optional hard disk.

Non-Dell Toner

Purpose:

To use toner cartridge of another manufacturer.



CAUTION: Using a non-Dell toner cartridge may severely damage your printer. The warranty does not cover damages caused by using non-Dell toner cartridges.

Values:

Off*	Does not use toner cartridge of another manufacturer.
On	Uses toner cartridge of another manufacturer.

Adjust Altitude

Purpose:

To specify the altitude of the location where the printer is installed.

The discharge phenomenon for charging the photo conductor varies with barometric pressure. Adjustments are performed by specifying the altitude of the location where the printer is being used.




NOTE: An incorrect altitude adjustment setting leads to poor printing quality, incorrect indication of remaining toner, etc.

Values:

0m*	Sets the altitude of the location where the printer is installed.
1000m	
2000m	
3000m	

Secure Settings

Use the `Secure Settings` menu to set a password to limit access to the menus. This prevents items from being changed accidentally.

 **NOTE:** Values marked by an asterisk (*) are the factory default menu settings.

See also:

"Panel Lock"

Panel Lock

Purpose:


To set a limited access to `Admin Settings` with a password, and to set or change the password.

Values:

Panel Lock Control	Disable*	Disables password protection for <code>Admin Settings</code> .
	Enable	Enables password protection for <code>Admin Settings</code> .
Change Password* ¹	0000-9999	Sets or changes the password required to access <code>Admin Settings</code> .

¹ This item is available only when `Panel Lock Control` is set to `Enable`.

Function Enabled

 **NOTE:** Function Enabled feature is available only when `Panel Lock Control` is set to `Enable`.

Purpose:


To specify whether to enable or disable each of the printer functions, or to require a password to use the functions.

Values:

USB Direct Print	On*	Enables the USB Direct Print function.
	On (Password)	Enables the USB Direct Print function, but requires a password.
	On (Color Password)	Enables the USB Direct Print function with a color mode, but requires a password.
	Off	Disables the USB Direct Print function.
Change Password* ¹		Changes the password that is set under the <code>Function Enabled</code> menu.

¹ This item is available only when `On (Password)` or `On (Color Password)` is enabled.

Data Encryption

 **NOTE:** Data Encryption feature is available only when the optional hard disk is installed.


Purpose:


To disable or enable data encryption when using the printer.

Values:

Encryption	Off*	Disables encryption of the data.
	On	Enables encryption of the data.
Encryption Key		Sets a key that is required for encryption.

Hard Disk Over write

 **NOTE:** Hard Disk Over write feature is available only when the optional hard disk is installed.

 **NOTE:** Overwrite of the hard disk may take several hours. When overwriting the hard disk, all functions of the printer are inoperable.


Purpose:

To erase the contents of the entire hard disk by overwriting the hard disk with meaningless data.

Values:

Off*	Disables overwrite of the hard disk.
Single Pass	Overwrites the hard disk once.
3 Pass	Overwrites the hard disk three times.

Login Error

 **NOTE:** Login Error feature is available only when Panel Lock Control is set to Enable.

Purpose:

To specify the number of error entry attempts allowed when you log in as an administrator in the Admin Settings and Report/List menu.

Values:

Off*	Does not allow an administrator to log in after one error entry attempt.
On	5*
Available Range: 1-10	

Defaults Settings

Use Defaults Settings to modify the USB Direct Print menu defaults.

USB Direct Print Defaults

Purpose:

To modify the defaults for the USB Direct Print Defaults menu. See "USB Direct Print" for more details.

Tray Settings

Use the Tray Settings menu to define the print media loaded in tray1 and the optional 550-sheet feeder.

 **NOTE:** Values marked by an asterisk (*) are the factory default menu settings.

MPF

Purpose:

To specify the paper loaded in the MPF.

Values:

Paper Size ^{*1}	Use Driver Settings [*]
mm series	A4
	A5

	B5	
	Letter	
	Executive	
	Folio	
	Legal	
	Envelope #10	
	Monarch	
	DL	
	C5	
	Custom Size	
inch series	Use Driver Settings*	
	Letter	
	Executive	
	Folio	
	Legal	
	A4	
	A5	
	B5	
	Envelope #10	
	Monarch	
	DL	
	C5	
	Custom Size	
Paper Type* ¹	Plain*	
	Plain Thick	
	Covers	
	Covers Thick	
	Coated	
	Coated Thick	
	Label	
	Envelope	
	Recycled	
	Letterhead	
	Preprinted	
	Prepunched	
	Color	
	Plain S2	
	Color S2	
	Plain Thick S2	
	Recycled S2	
MPF Mode	Panel Specified	Uses the paper size and paper type set from the operator panel.
	DriverSpecified*	Uses the paper size and paper type set on the printer driver.

Display Popup ^{*1}	Off	Does not display a popup message that prompts to set Paper Type and Paper Size when paper is loaded in the MPF.
	On*	Displays a popup message that prompts to set Paper Type and Paper Size when paper is loaded in the MPF.

*1 This item is available only when MPF Mode is set to Panel Specified.

Tray 1

Purpose:

To specify the paper loaded in tray1.

Values:


Paper Size	A4 ^{*1}
	mm series
	A5
	B5
	Letter
	Executive
	Folio
	Legal
	Custom Size
	inch series
	Letter ^{*1}
	Executive
	Folio
	Legal
A4	
A5	
B5	
Custom Size	
Paper Type	Plain*
	Plain Thick
	Covers
	Covers Thick
	Coated
	Coated Thick
	Recycled
	Letterhead
	Preprinted
	Prepunched
	Color
	Plain S2
	Color S2
	Plain Thick S2
Recycled S2	

Display Popup	Off	Does not display a popup message that prompts to set Paper Type and Paper Size when paper is loaded in tray1.
	On*	Displays a popup message that prompts to set Paper Type and Paper Size when paper is loaded in tray1.

*1 Denotes country-specific factory default value.

 **NOTE:** For more information on supported paper sizes, see "Supported Paper Sizes."

Tray 2

 **NOTE:** Tray 2 feature is available only when the optional 550-sheet feeder is installed.

Purpose:

To specify the paper loaded in the optional 550-sheet feeder.

Values:

Paper Size	Auto*	
	Custom Size	
Paper Type	Plain*	
	Plain Thick	
	Covers	
	Covers Thick	
	Coated	
	Coated Thick	
	Recycled	
	Letterhead	
	Preprinted	
	Prepunched	
	Color	
	Plain S2	
	Color S2	
	Plain Thick S2	
Recycled S2		
Display Popup	Off	Does not display a popup message that prompts to set Paper Type and Paper Size when paper is loaded in the optional 550-sheet feeder.
	On*	Displays a popup message that prompts to set Paper Type and Paper Size when paper is loaded in the optional 550-sheet feeder.

*1 Denotes country-specific factory default value.

Tray Priority

Purpose:

To set the priority order of the paper trays for automatic tray selection. If paper trays loaded with the same paper size and type exists, the paper tray is selected according to this priority order.

Values:

1st Priority	MPF [*]	Sets the MPF as the first priority.
	Tray 1	Sets tray1 as the first priority.
	Tray 2	Sets the optional 550-sheet feeder as the first priority.
2nd Priority ^{*1}	MPF	Sets the MPF as the second priority.
	Tray 1 [*]	Sets tray1 as the second priority.
	Tray 2	Sets the optional 550-sheet feeder as the second priority.
3rd Priority ^{*2}	MPF	Sets the MPF as the third priority.
	Tray 1	Sets tray1 as the third priority.
	Tray 2 [*]	Sets the optional 550-sheet feeder as the third priority.

*1 The tray selected in 1st Priority is not displayed.

*2 The trays selected in 1st Priority and 2nd Priority are not displayed.

Panel Language

Purpose:


To determine the language of the text on the LCD panel.

Values:

English [*]
Français
Italiano
Deutsch
Español
Dansk
Nederlands
Norsk
Svenska

Print Menu

Use the Print Menu to print a job using the Secure Print, Private Mail Box Print, Public Mail Box Print, and Proof Print features.

 **NOTE:** Values marked by an asterisk (*) are the factory default menu settings.

Secure Print

 **NOTE:** Secure Print feature is available only when RAM disk is set to On or the optional hard disk is installed.

Purpose:

To print confidential jobs. The printer can hold the job in memory until you arrive at the printer and type the password on the operator panel.

Values:

Select User ID			Enter the password you specified on the printer driver.
	All Documents ^{*1}	Print and Delete	Deletes all documents from print memory after printing them.
		Delete	Deletes all documents from print memory.
	document n ^{*2}	Print and Delete	Deletes the specified document from print memory after printing it.
		Delete	Deletes the specified document from print memory.

*1 This item is available only when the multiple print jobs are stored.

*2 The document name is displayed. The save date and time are displayed if the document name is not specified.

Private Mail Box

 **NOTE:** Private Mail Box feature is available only when RAM disk is set to On or the optional hard disk is installed.

Purpose:

To specify whether and how to print the job stored in the Private Mail Box.

Values:

Select User ID			Enter the password you specified on the printer driver.
	All Documents ^{*1}	Print	Prints all documents and saves them in memory.
		Use PC Settings	Sets the number of copies specified on the printer driver.
		Input Number of Copies	Sets the number of copies.
		Print and Delete	Deletes all documents from print memory after printing them.
		Use PC Settings	Sets the number of copies specified on the printer driver.
		Input Number of Copies	Sets the number of copies.
		Delete	Deletes all documents from print memory.
	document n ^{*2}	Print	Prints all documents and saves them in memory.

	Input Number of Copies	Sets the number of copies.
Print and Delete		Deletes all documents from print memory after printing them.
	Input Number of Copies	Sets the number of copies.
Delete		Deletes all documents from print memory.

*1 This item is available only when the multiple print jobs are stored.

*2 The document name is displayed. The save date and time are displayed if the document name is not specified.

Public Mail Box

 **NOTE:** Public Mail Box feature is available only when RAM disk is set to On or the optional hard disk is installed.

Purpose:

To specify whether and how to print the job stored in the Public Mail Box.


Values:

Select User ID	All Documents ^{*1}	Print	Prints all documents and saves them in memory.	
		Use PC Settings	Sets the number of copies specified on the printer driver.	
		Input Number of Copies	Sets the number of copies.	
		Print and Delete	Deletes all documents from print memory after printing them.	
		Use PC Settings	Sets the number of copies specified on the printer driver.	
		Input Number of Copies	Sets the number of copies.	
		Delete	Deletes all documents from print memory.	
		document n ^{*2}	Print	Prints all documents and saves them in memory.
			Input Number of Copies	Sets the number of copies.
Print and Delete	Deletes all documents from print memory after printing them.			
		Input Number of Copies	Sets the number of copies.	
		Delete	Deletes all documents from print memory.	

*1 This item is available only when the multiple print jobs are stored.

*2 The document name is displayed. The save date and time are displayed if the document name is not specified.

Proof Print

 **NOTE:** Proof Print feature is available only when RAM disk is set to Enable.

Purpose:

To specify whether and how to print the job stored in the Proof Print. When the print job is sent from the printer driver on the computer, a single copy is printed for you to check the print result. If you do not have problems with the print result, you can choose to print more copies. This prevents a large number of misprinted copies from being printed at one time.


Values:

Select User ID	All Documents ^{*1}	Print	Prints all documents and saves them in memory.
		Use PC Settings	Sets the number of copies specified on the printer driver.
		Input Number of Copies	Sets the number of copies.
	Print and Delete	Print	Prints all documents and saves them in memory.
		Use PC Settings	Sets the number of copies specified on the printer driver.
		Input Number of Copies	Sets the number of copies.
document n ^{*2}	Print	Print	Prints all documents and saves them in memory.
		Input Number of Copies	Sets the number of copies.
		Print and Delete	Deletes all documents from print memory after printing them.
	Delete	Print	Prints all documents and saves them in memory.
		Input Number of Copies	Sets the number of copies.
		Delete	Deletes all documents from print memory.

*1 This item is available only when the multiple print jobs are stored.

*2 The document name is displayed. The save date and time are displayed if the document name is not specified.

USB Direct Print

 **NOTE:** USB Direct Print feature is available only when a USB memory is inserted in the USB port.

Select Document

Purpose:

To specify the document stored in the root, file, or folder in a USB memory.

Print Start

Purpose:

To start printing the selected file.

Document

Purpose:

To change the file you want to print.

Output Color

Purpose:

To specify whether to print in black and white or in color.

Values:

Full Color*	Prints in color.
Black & White	Prints in black and white.

Select Tray

Purpose:

To specify the input tray.

Values:

MPF
Tray 1*
Tray 2* ¹
* ¹ This item is available only when the optional 550-sheet feeder is installed.

MPF Paper Size



NOTE: MPF Paper Size feature is available only when MPF : Any is selected in Select Tray.

Purpose:

To specify the paper size for the MPF.

Values:


mm series

A4* ¹
A5
B5
Letter
Folio
Legal
* ¹ Denotes country-specific factory default values.

inch series

Letter* ¹
Folio
Legal
A4
A5
B5
* ¹ Denotes country-specific factory default values.

MPF Paper Type

 **NOTE:** MPF Paper Type feature is available only when MPF: Any is selected in Select Tray.


Purpose:

To specify the paper type for the MPF.

Values:

Plain*
Plain Thick
Covers
Covers Thick
Coated
Coated Thick
Envelope
Recycled
Letterhead
Prepunched
Color

2 Sided Printing

 **NOTE:** 2 Sided Printing feature is available only for Dell C3760dn Color Laser Printer.

Purpose:

To print on both sides of a sheet of paper.

Values:

1 -> 1Sided*	Prints on one side of a sheet of paper.
Long Edge Binding	Prints on both sides of a sheet of paper to be bound by long edge.
Short Edge Binding	Prints on both sides of a sheet of paper to be bound by short edge.

Multiple-Up

Purpose:

To specify the output layout.

Values:

Off*	Prints one page on one side of a sheet of paper.
2-Up	Prints two pages on one side of a sheet of paper.
4-Up	Prints four pages on one side of a sheet of paper.

Collation

Purpose:

To specify whether to sort the job.

Values:

Collated	Sorts a job.
----------	--------------

Uncollated	Does not sort a job.
------------	----------------------

PDF Password

Purpose:


To enter the password when you print a PDF file secured with a document open password (password to open the PDF file).

Values:









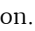

Enter PDF Password	Enter the document open password to print the secure PDF job.
--------------------	---------------------------------------------------------------

Panel Lock



This feature prevents unauthorized personnel from changing the settings made by the administrator. For regular printing, items can be selected from the menu and printer settings remain unchanged. For regular printing, items can be configured using the printer driver.


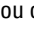

 **NOTE:** Disabling the operator panel menus does not prevent access to the Stored Print and Tray Settings menus.

Enabling the Panel Lock










- 1 Press the  (Menu) button.
- 2 Press the  button until Admin Settings is highlighted, and then press the  (Set) button.
- 3 Press the  button until Secure Settings is highlighted, and then press the  (Set) button.
- 4 Ensure that Panel Lock is highlighted, and then press the  (Set) button.
- 5 Ensure that Panel Lock Control is highlighted, and then press the  (Set) button.
- 6 Press the  button until Enable is highlighted, and then press the  (Set) button.
- 7 Enter the new password, and then press the  (Set) button.

 **CAUTION:** Be sure to remember the password. The procedure described below allows you to reset the password.

- Turn off the printer. Then, while holding the  (Menu) button, turn on the printer. Perform steps 7 and 8.
- 8 Re-enter the password to confirm the password that you entered, and then press the  (Set) button.
The password has been changed.

 **NOTE:** If you change the password while Panel Lock is Enable, perform steps 1 to 4 above. Press the  button until Change Password is highlighted, and then press the  (Set) button. Perform steps 7 and 8 above to change the password. This will change the password.

Disabling the Panel Lock

- 1 Press the  (Menu) button.
- 2 Press the  button until Admin Settings is highlighted, and then press the  (Set) button.
- 3 Press the  button until Secure Settings is highlighted, and then press the  (Set) button.
- 4 Ensure that Panel Lock is highlighted, and then press the  (Set) button.
- 5 Ensure that Panel Lock Control is highlighted, and then press the  (Set) button.
- 6 Ensure that Disable is highlighted, and then press the  (Set) button.
- 7 Enter the current password, and then press the  (Set) button.

The setting has been changed.










Resetting Defaults

After executing this function and rebooting the printer, all the menu parameters are reset to their default values.

The following menu parameters are exceptions and are not reset.

- Network settings
- Panel Lock settings and password
- Function Enabled settings and passwords
- Login Error settings
- Set Available Time settings
- Secure Job Expiration settings
- USB Port settings
- Data Encryption settings
- Hard Disk Over write settings
- ColorTrack Mode settings
- ColorTrack Error Report settings
- Non Registered User settings


When Using the Operator Panel

- 1 Press the  (Menu) button.
- 2 Press the  button until Admin Settings is highlighted, and then press the  (Set) button.
- 3 Press the  button until Maintenance is highlighted, and then press the  (Set) button.
- 4 Press the  button until Reset Defaults is highlighted, and then press the  (Set) button.
- 5 Press the  button until Yes is highlighted, and then press the  (Set) button.

The printer is restarted automatically.

Print Media Guidelines

Print media refers to paper, labels, envelopes, and coated paper among others. Your printer provides high-quality printing on a variety of print media. Selecting the appropriate print media for your printer helps avoid printing troubles. This section describes selecting and caring for print media.

 **NOTE:** Use only laser print media. Do not use ink jet paper in your printer.

Paper

For the best print quality in color, use 75 g/m² (20 lb) xerographic, grain long paper. For the best print quality in black and white, use 90 g/m² (24 lb) xerographic, grain long paper. It is recommended that you try a sample first before buying large quantities of any print media.

When loading paper, identify the recommended print side on the paper package, and load the paper accordingly. See "Loading Print Media in Tray1 and the Optional 550-Sheet Feeder" and "Loading Print Media in the MPF" for detailed loading instructions.

Paper Characteristics

The following paper characteristics affect print quality and reliability. It is recommended that you follow these guidelines when evaluating new paper stock.

Weight

The tray automatically feeds paper weights from 60 g/m² to 216 g/m² (16 lb to 80 lb bond) grain long. The multipurpose feeder (MPF) automatically feeds paper weights from 60 g/m² to 216 g/m² (16 lb to 80 lb bond) grain long. Paper lighter than 60 g/m² (16 lb) may not feed properly, and could cause paper jams. For best performance, use 75 g/m² (20 lb bond) grain long paper.

Curl

Curl is the tendency of print media to curve at its edges. Excessive curl can cause paper feeding problems. Curl usually occurs after the paper passes through the printer, where it is exposed to high temperatures. Storing paper unwrapped, even in the paper tray, can contribute to paper curling prior to printing and cause feeding problems regardless of humidity. When printing on curled paper, straighten the paper and then insert it into the MPF.

Smoothness

The degree of paper smoothness directly affects the print quality. If the paper is too rough, the toner does not fuse on to the paper properly, resulting in poor print quality. If the paper is too smooth, it can cause paper feeding problems. Smoothness between 150 and 250 Sheffield points produces the best print quality.

Moisture Content

The amount of moisture in the paper affects both the print quality and the ability of the printer to feed the paper properly. Leave the paper in its original packaging until you are ready to use it. This limits the exposure of the paper to moisture changes that can degrade its performance.

Grain Direction

Grain refers to the alignment of the paper fibers in a sheet of paper. Grain is either grain long, running the length of the paper, or grain short, running the width of the paper. For 60 g/m² to 135 g/m² (16 lb to 36 lb bond) paper, grain long fibers are recommended. For paper heavier than 135 g/m² (36 lb bond), grain short is preferred.

Fiber Content

Most high-quality xerographic paper is made from 100 % chemically pulped wood. Paper containing fibers such as cotton may lead to degraded paper handling.

Recommended Paper

To ensure the best print quality and feed reliability, use 75 g/m² (20 lb) xerographic paper. Business paper designed for general business use also provides acceptable print quality. Only use paper able to withstand high temperatures without discoloring, bleeding, or releasing hazardous emissions. The laser printing process heats paper to high temperatures. Check with the manufacturer or vendor to determine whether the paper you have chosen is acceptable for laser printers.

It is recommended that you try a sample first before buying large quantities of any print media. When choosing any print media, you should consider the weight, fiber content, and color.

Unacceptable Paper

The following paper types are not recommended for use with the printer:

- Chemically treated paper used to make copies without carbon paper, also known as carbonless paper, carbonless copy paper (CCP), or no carbon required (NCR) paper.
- Preprinted paper with chemicals that may contaminate the printer.
- Preprinted paper that can be affected by the temperature in the fusing unit.
- Preprinted paper that requires a registration (the precise print location on the page) greater than ± 0.09 inches, such as optical character recognition (OCR) forms.

In some cases, you can adjust registration with your software program to successfully print on these forms.

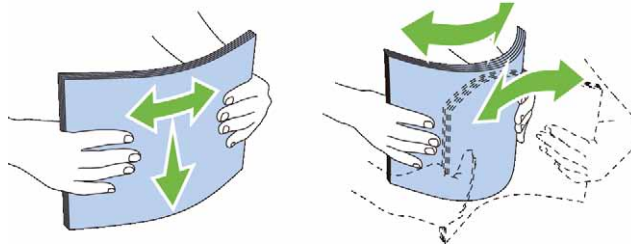
- Coated paper (erasable bond), synthetic paper, and thermal paper.
- Rough-edged, rough or heavily textured surface paper, or curled paper.
- Recycled paper containing more than 25 % post-consumer waste that does not meet DIN 19 309.
- Multiple-part forms or documents.
- Print quality may deteriorate (blank spaces or blotches may appear in the text) when printing on talc or acid paper.

Selecting Paper

Proper paper selection helps prevent jams and ensures trouble-free printing.

To help avoid jams or poor print quality:

- Always use new, undamaged paper.
- Before loading the paper, identify the recommended print side of the paper. This information is usually indicated on the paper package.
- Do not use paper that you have cut or trimmed.
- Do not mix print media sizes, weights, or types in the same source. This may result in a paper jam.
- Do not remove the tray while printing is in progress.
- Ensure that the paper is properly loaded in the tray.
- Flex the paper back and forth, and then fan them. Straighten the edges of the stack on a level surface.



Selecting Pre-Printed Media and Letterheads

When selecting pre-printed and letterhead paper for the printer:

- Use grain long paper for best results.
- Use only forms and letterheads printed using an offset lithographic or engraved printing process.
- Select paper that absorb ink, but does not bleed.
- Avoid paper with rough or heavily textured surfaces.
- Use paper printed with heat-resistant inks designed for use in xerographic copiers. The ink must withstand temperatures of 225 °C (437 °F) without melting or releasing hazardous emissions.
- Use inks that are not affected by the resin in the toner or the silicone in the fusing unit. Inks that are oxidation-set or oil-based should meet these requirements; latex inks might not. If you are in doubt, contact your paper supplier.

Selecting Pre-Punched Paper

When selecting pre-punched paper for the printer:

- Test paper from several manufacturers before ordering and using large quantities of pre-punched paper.
- Paper should be punched at the paper manufacturer and not drilled into paper already packaged in a ream. Drilled paper can cause jams when multiple sheets feed through the printer. This may result in a paper jam.
- Pre-punched paper can include more paper dust than standard paper. Your printer may require more frequent cleaning and feed reliability may not be as good as standard paper.
- Weight guidelines for pre-punched paper are the same as non-punched paper.

Envelopes

Depending on the envelopes, it is possible to expect variable levels of wrinkling. It is recommended that you try a sample first before buying large quantities of any print media. See "Loading an Envelope in the MPF" for instructions on loading an envelope.

When printing on envelopes:

- Use only high-quality envelopes that are designed for use in laser printers.
- Set the print media source to the MPF. Set the paper type to **Envelope**, and select the correct size of envelope from the printer driver.
- Use envelopes made from 75 g/m² (20 lb bond) paper. You can use up to 105 g/m² (28 lb bond) weight for the envelope feeder as long as the cotton content is 25 % or less. Envelopes with 100 % cotton content must not exceed 90 g/m² (24 lb bond) weight.
- Use only freshly unpackaged, undamaged envelopes.
- Use envelopes that can withstand temperatures of 205 °C (401 °F) without sealing, excessive curling, wrinkling, or releasing hazardous emissions. If you have any doubts about the envelopes you are considering, check with the envelope supplier.

- Adjust the guide to fit the width of the envelopes.
- To load an envelope into the MPF, insert the envelope with the flaps closed or open and the short-edge of the envelope facing into the printer. The print side must be facing up.
- See "Loading an Envelope in the MPF" for instructions on loading an envelope.
- Use one envelope size during a print job.
- Ensure that the humidity is low because high humidity (more than 60 %) and the high printing temperatures may seal the envelopes.
- For best performance, do not use envelopes that:
 - Have excessive curl or twist
 - Are stuck together or damaged in any way
 - Contain windows, holes, perforations, cutouts, or embossing
 - Use metal clasps, string ties, or metal folding bars
 - Have an interlocking design
 - Have postage stamps attached
 - Have any exposed adhesive when the flap is in the sealed or closed position
 - Have nicked edges or bent corners
 - Have rough, cockle, or laid finishes

Labels

Your printer can print on many labels designed only for use with laser printers.

When selecting labels:

- Label adhesives, face sheet (printable stock), and topcoats must be able to withstand temperatures of 205 °C (401 °F) and pressure of 25 pounds per square inch (psi).
- Use labels that can be without sealing, excessive curling, wrinkling, or releasing hazardous emissions.
- Do not use label sheets with a slick backing material.

 **CAUTION: Before buying large quantities of any print media, it is recommended that you try a sample first.**

When printing on labels:

- Use labels that can withstand temperatures of 205 °C (401 °F) without sealing, excessive curling, wrinkling, or releasing hazardous emissions.
- Set the paper type to **Label** from the printer driver.
- Load labels in the MPF. Tray1 and the optional 550-sheet feeder do not support labels.
- Do not load labels together with paper in the MPF.
- Do not print within 1 mm (0.04 inches) of the die-cut.
- Do not print within 1 mm (0.04 inches) of the edge of the label, of the perforations, or between die-cuts of the label.
- Do not print a label through the printer more than once.
- Portrait orientation is preferred, especially when printing bar codes.
- Do not use labels that have exposed adhesive.
- Use full label sheets. Partial sheets may cause labels to peel off during printing, resulting in a jam.

- Do not use label sheets that have adhesive to the edge of the sheet. It is recommended that zone coating of the adhesive is done at least 1 mm (0.04 inches) away from edges. Adhesive material contaminates your printer and could void your warranty.

⚠ WARNING: Otherwise a jam occurs in the printer and contaminate your printer and your cartridges with adhesive. As a result, could void your printer and cartridge warranties.

Storing Print Media

For proper print media storage, the following guidelines will help to avoid media feeding problems and uneven print quality.

- Store print media in an environment where the temperature is approximately 21 °C (70 °F) and the relative humidity is 40 %.
- Store cartons of print media on a pallet or shelf, rather than directly on the floor.
- If you store individual packages of print media out of the original carton, ensure that they rest on a flat surface so that the edges do not buckle or curl.
- Do not place anything on top of the print media packages.

Identifying Print Media and Specifications

The following tables show print media information.

Supported Paper Sizes


Paper size	MPF		Tray1		Optional 550-sheet feeder		Duplex unit
	Side 1	Side 2	Side 1	Side 2	Side 1	Side 2	
A4 (210 x 297 mm)	Y	Y	Y	Y	Y	Y	Y
B5 (182 x 257 mm)	Y	Y	Y	Y	Y	Y	Y
A5 (148 x 210 mm)	Y	Y	Y	Y	Y	Y	Y
Letter (8.5 x 11 in)	Y	Y	Y	Y	Y	Y	Y
Folio (8.5 x 13 in)	Y	Y	Y	Y	Y	Y	Y
Legal (8.5 x 14 in)	Y	Y	Y	Y	Y	Y	Y
Executive (7.25 x 10.5 in)	Y	Y	Y	Y	Y	Y	Y
Envelope #10 (4.125 x 9.5 in)	Y	N	N	N	N	N	N
Monarch (3.875 x 7.5 in)	Y	N	N	N	N	N	N
DL (110 x 220mm)	Y	N	N	N	N	N	N
C5 (162 x 229mm)	Y	N	N	N	N	N	N
Custom ^{*1,2}	Y	Y	Y	Y	Y	Y	Y

^{*1} Custom: width: 76.2 mm (3.0 inches) to 215.9 mm (8.5 inches) for the MPF; 148 mm (5.83 inches) to 215.9 mm (8.5 inches) for tray1 and the optional 550-sheet feeder
length: 127.0 mm (5.0 inches) to 355.6 mm (14.00 inches) for the MPF; 210 mm (8.27 inches) to 355.6 mm (14.00 inches) for tray1 and the optional 550-sheet feeder

^{*2} XPS driver does not support custom size paper.

Supported Paper Types

Paper type		MPF		Tray1		Optional 550-sheet feeder		Duplex unit	
		Side 1	Side 2	Side 1	Side 2	Side 1	Side 2	Side 1	Side 2
Plain	Light	Y	Y	Y	Y	Y	Y	Y	N
	Normal	Y	Y	Y	Y	Y	Y	Y	N
	Thick	Y	Y	Y	Y	Y	Y	Y	N
Covers	Normal	Y	N	Y	N	Y	N	Y	N
	Thick	Y	N	Y	N	Y	N	N	N
Coated	Normal	Y	N	Y	N	Y	N	Y	N
	Thick	Y	N	Y	N	Y	N	N	N
Label	Normal	Y	N	N	N	N	N	N	N
	Light	Y	N	N	N	N	N	N	N
Envelope		Y	N	N	N	N	N	N	N
Recycled		Y	Y	Y	Y	Y	Y	Y	N
Letterhead		Y	N	Y	N	Y	N	Y	N
Preprinted		Y	N	Y	N	Y	N	Y	N
Prepunched		Y	N	Y	N	Y	N	Y	N
Color		Y	Y	Y	Y	Y	Y	Y	N

 **NOTE:** For Plain and Label paper, you can set the paper density by selecting the Paper Density (Light or Normal) under Maintenance from the operator panel, **Tool Box**, or **Dell™ Printer Configuration Web Tool**. Once you set the Paper Density settings, the printer uses the settings for Plain and Label paper.

Paper Type Specifications

Paper type	Weight (g/m ²)	Remarks
Plain	60–90	-
Plain Thick	80/90–105	-
Recycled	60–105	-
Labels	-	Inkjet printer paper cannot be used.
Covers	106–163	-
Covers Thick	164–216	-
Envelope	-	-
Coated	106–163	Inkjet printer paper cannot be used.
Coated Thick	164–216	Inkjet printer paper cannot be used.
Letterhead	60–90	-
Preprinted	60–90	-
Prepunched	60–90	-
Color	60–90	-

Loading Print Media

Loading print media properly helps prevent jams and ensures trouble-free printing.

Before loading any print media, identify the recommended print side of the print media. This information is usually indicated on the print media package.

 **NOTE:** The images used in this manual are those of the Dell™ C3760dn Color Laser Printer unless otherwise mentioned.

Capacity

Tray1 and the optional 550-sheet feeder (tray2) can hold:

- 550 sheets of the standard paper.

The multipurpose feeder (MPF) can hold:

- 150 sheets of the standard paper.

Print Media Dimensions

The maximum dimensions of print media that tray1 and the optional 550-sheet feeder can handle are:


- Width — 148 mm (5.83 inches) to 215.9 mm (8.5 inches)
- Length — 210 mm (8.27 inches) to 355.6 mm (14.00 inches)


The maximum dimensions of print media that the MPF can handle are:

- Width — 76.2 mm (3.00 inches) to 215.9 mm (8.5 inches)
- Length — 127 mm (5.00 inches) to 355.6 mm (14.00 inches)

Loading Print Media in Tray1 and the Optional 550-Sheet Feeder


This section describes how to load letterhead. For details about loading print media other than letterhead, see "Loading Paper."

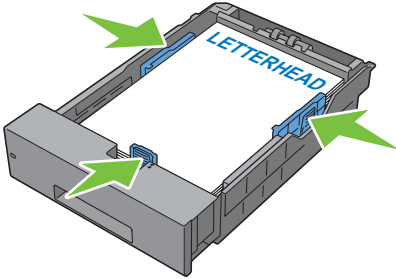
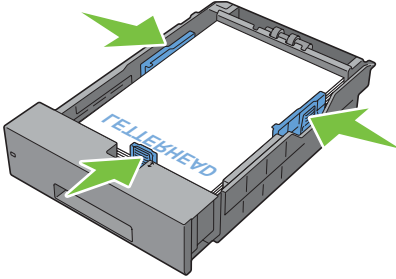
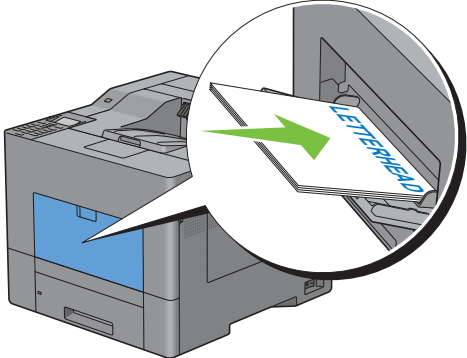
 **NOTE:** To avoid paper jams, do not remove the tray while printing is in progress.

 **NOTE:** Use only laser print media. Do not use ink jet paper in the printer.

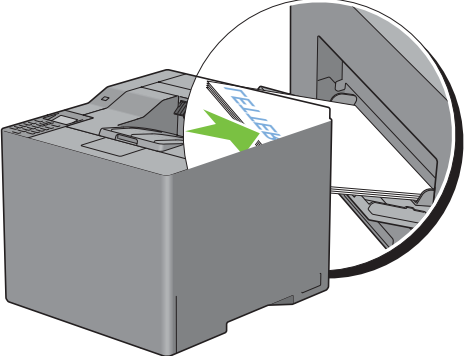
Loading Letterhead (Pre-Printed and Pre-Punched Paper)

The pre-printed paper such as letterhead and pre-punched paper must be inserted top edge first with the print side facing up for Dell C3760n Color Laser Printer. As for Dell C3760dn Color Laser Printer, the pre-printed paper such as letterhead and pre-punched paper must be inserted bottom edge first with the print side facing down as shown below.

 **NOTE:** For Dell C3760dn Color Laser Printer, set `Letterhead 2 Sided` or `Letterhead Duplex Mode` to `Enable` and `Paper Type` to `Letterhead, Preprinted, or Prepunched` from the operator panel or the printer driver even when you print on a single side of letterhead, pre-printed, or pre-punched paper.

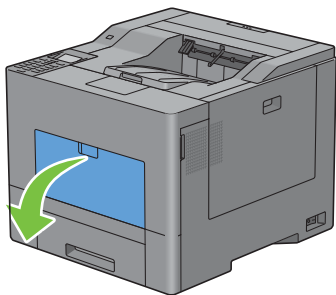
Print media source	Print side	Page orientation
Tray1 and optional 550-sheet feeder	Dell C3760n Color Laser Printer Face up	Letterhead enters the printer first
		
	Dell C3760dn Color Laser Printer Face down	Letterhead enters the printer last
		
MPF	Dell C3760n Color Laser Printer Face up	Letterhead enters the printer first
		

Print media source	Print side	Page orientation
Dell C3760dn Color Laser Printer	Face down	Letterhead enters the printer last

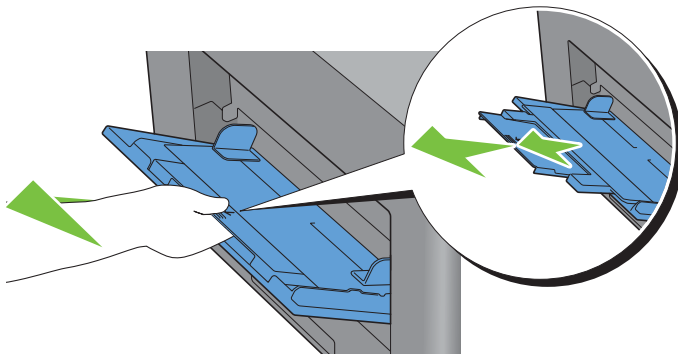


Loading Print Media in the MPF

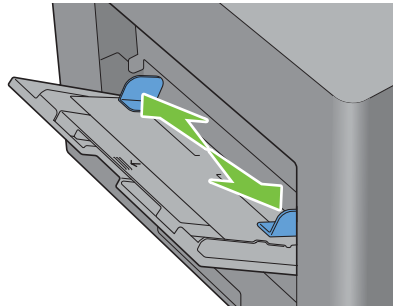
- 1 Gently pull open the MPF cover.




- 2 Extend the extension tray as necessary.

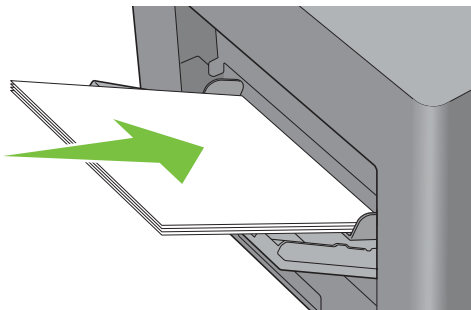


- 3 Slide the width guides to the edge of the tray. The width guides should be fully extended.




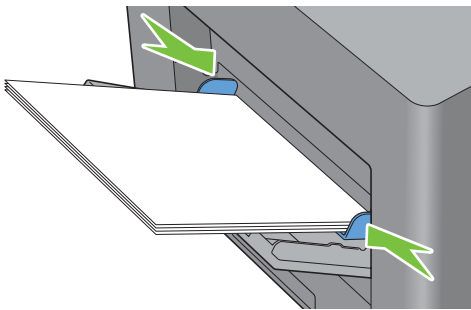
- 4 Insert all media facing up and top edge first into the MPF.

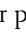
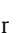
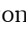
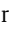


 **NOTE:** Do not force the print media into the MPF.



- 5 Slide both width guides until they rest lightly against the edge of the print media stack.

 **NOTE:** Do not force the print media into the MPF



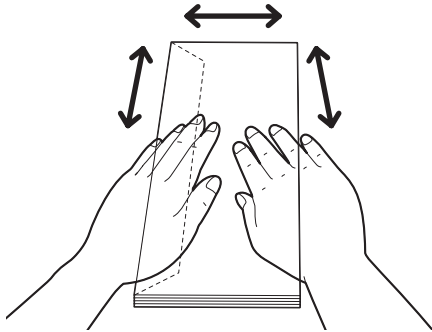
- 6 On the operator panel, press the  or  button until the desired paper size is highlighted, and then press the  (Set) button.
- 7 Press the  or  button until the desired paper type is highlighted, and then press the  (Set) button.

Loading an Envelope in the MPF

Use the following guidelines when loading envelopes in the MPF:

CAUTION: Never use envelopes with windows, coated linings, or self-stick adhesives. These lead to paper jams and can cause damage to the printer.

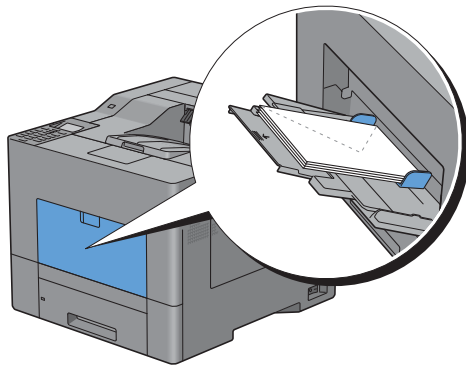
NOTE: If you do not load envelopes in the MPF right after they have been removed from the packaging, they may bulge. To avoid jams, press firmly across the whole envelopes to flatten them as shown below before loading the envelopes in the MPF.



NOTE: The maximum height (quantity) of envelopes that can be loaded in the MPF is approximately 15 mm (0.59 inches) (15 envelopes).

Envelope #10, Monarch, or DL

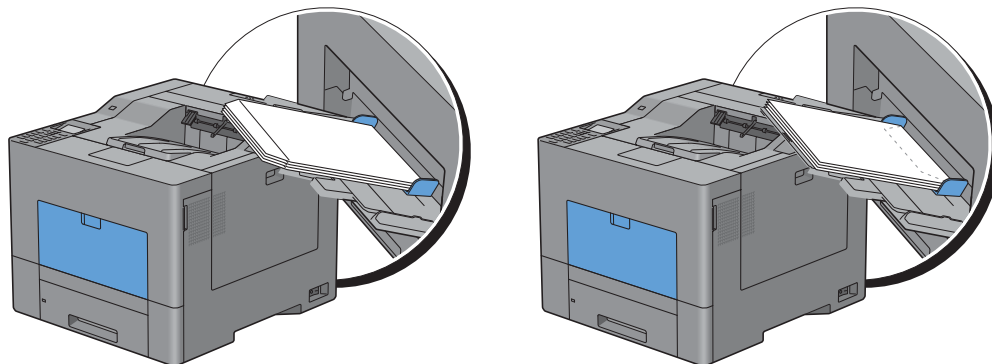
Load the envelopes short edge feed with the flaps closed and the print side up. Ensure that the flaps come at the left when you face towards the printer.



C5

Load the envelopes short edge feed with the flaps open or closed and the print side up.

Ensure that the flaps come at the bottom with the flaps open or at the top with the flaps closed when you face towards the printer.




Using the MPF

- Load only one size and type of print media during a single print job.
- To achieve the best possible print quality, use only high-quality print media that is designed for use in laser printer. For more guidelines on print media, see "Print Media Guidelines."
- Do not add or remove print media when there is still print media in the MPF or when the printer is printing from the MPF. This may result in a paper jam.
- Print media should be loaded with the recommended print side up and the top of the print media going into the MPF first.
- Do not place objects on the MPF. Also, avoid pressing down or apply excessive force on it.
- The icons on the MPF show how to load the MPF with paper, and how to turn an envelope for printing.


Linking Trays

The printer automatically links the trays when you load the same size and type of print media in them. The first tray will be utilized until the media runs out after which the next tray will be used.

 **NOTE:** The print media should be the same size and type in each tray.
The MPF cannot be linked to any of the tray sources.

After loading the selected trays with the same size and type of print media, select the Paper Type setting in the Tray Settings component for each source (tray).

To disable tray linking change the paper type in one of the sources (trays) to a unique value.

 **NOTE:** If different types of print media of the same size are loaded in each tray, the printer will automatically link them if the paper type is not specified in the printer driver properties/preferences.

Printing

19 Printing..... 243

Printing

This chapter covers tips for printing, how to print certain information from your printer, and how to cancel a job.

 **NOTE:** The images used in this manual are those of the Dell™ C3760dn Color Laser Printer unless otherwise mentioned.

Tips for Successful Printing

Tips on Storing Print Media

Store your print media properly. For more information, see "Storing Print Media."

Avoiding Paper Jams

 **CAUTION:** Before buying large quantities of any print media, it is recommended that you try a sample first.

By selecting appropriate print media and loading it properly, you can avoid paper jams. See the following instructions on loading print media:

- "Loading Paper"
- "Loading Print Media in the MPF"
- "Avoiding Jams"

If you encounter a paper jam, see "Clearing Jams."

Sending a Job to Print

To support all of the printer features, use the printer driver. When you choose **Print** from an application, a window representing the printer driver opens. Select the appropriate settings for the specific job that you are sending to print. Print settings selected from the driver override the default menu settings selected from the operator panel or **Tool Box**.

You may need to click **Preferences** from the initial **Print** box to see all of the available system settings you can change. If you are not familiar with a feature in the printer driver window, open the online Help for more information.

To print a job from a typical Microsoft® Windows® application:

- 1 Open the file you want to print.
- 2 From the **File** menu, select **Print**.
- 3 Verify that the correct printer is selected in the dialog box. Modify the print settings as appropriate (such as the pages you want to print or the number of copies).
- 4 Click **Preferences** to adjust system settings that are not available from the first screen, and then click **OK**.
- 5 Click **OK** or **Print** to send the job to the selected printer.

Canceling a Print Job

There are several methods for canceling a job.

- Canceling a Job From the Operator Panel
- Canceling a Job From a Computer Running Windows

Canceling a Job From the Operator Panel

To cancel a job after it has started printing:

- 1 Press the **X** (Cancel) button.

Printing is canceled only for the current job. All the following jobs will continue to print.

Canceling a Job From a Computer Running Windows

Canceling a Job From the Taskbar

When you send a job to print, a small printer icon appears in the bottom right corner of the taskbar.

- 1 Double-click the printer icon.
A list of print jobs appears in the printer window.
- 2 Select the job you want to cancel.
- 3 Press the <Delete> key.

Canceling a Job From the Desktop

- 1 Click **Start**→ **Devices and Printers**.

For Windows XP: Click **start**→ **Printers and Faxes**.

For Windows Vista®: Click **Start**→ **Control Panel**→ **Hardware and Sound**→ **Printers**.

For Windows Server® 2008: Click **Start**→ **Control Panel**→ **Printers**.

For Windows Server 2008 R2: Click **Start**→ **Devices and Printers**.

For Windows 8: Under Desktop mode, right-click the bottom left corner of the screen, and then click **Control Panel** → **Hardware and Sound** → **Devices and Printers**.

For Windows Server 2012: Under Desktop mode, right-click the bottom left corner of the screen, and then click **Control Panel** → **Hardware** → **Devices and Printers**.

A list of available printers appears.

- 2 Right-click the printer that you selected when you sent the job for print, and then select **See what's printing**.
- 3 Select the printer driver.
A list of print jobs appears in the printer window.
- 4 Select the job you want to cancel.
- 5 Press the <Delete> key.

Duplex Printing

Duplex printing (or two-sided printing) allows you to print on both sides of a sheet of paper. For sizes that are acceptable for duplex printing, see "Supported Paper Sizes."

Duplex Printing With Duplex Unit (Dell C3760dn Color Laser Printer Only)

- 1 Click **Start**→ **Devices and Printers**.

For Windows XP: Click **start**→ **Printers and Faxes**.

For Windows Vista: Click **Start**→ **Control Panel**→ **Hardware and Sound**→ **Printers**.

For Windows Server 2008: Click **Start**→ **Control Panel**→ **Printers**.

For Windows Server 2008 R2: Click **Start**→ **Devices and Printers**.

For Windows 8: Under Desktop mode, right-click the bottom left corner of the screen, and then click **Control Panel** → **Hardware and Sound** → **Devices and Printers**.

For Windows Server 2012: Under Desktop mode, right-click the bottom left corner of the screen, and then click **Control Panel** → **Hardware** → **Devices and Printers**.

- 2 Right-click the printer and select **Printing Preferences**.

The **General** tab appears.

- 3 From **Paper Source**, select the paper tray.

For PCL driver:

Select from **Auto**, **Tray1**, **Tray2**, or **MPF**.

For PS driver:

Select from **Automatically Select**, **Tray1**, **Tray2**, or **MPF**.


- 4 From **Duplex**, select **Flip on Short Edge** or **Flip on Long Edge**.


 **NOTE:** For details on the **Flip on Short Edge** and **Flip on Long Edge** options, see "Flip on Short Edge" and "Flip on Long Edge."

- 5 Click **OK**.

Duplex Printing Without Duplex Unit (Dell C3760n Color Laser Printer Only)

Manual duplex printing (or two-sided printing) allows you to manually print on both sides of the paper. For information on the paper sizes that support manual duplex printing, see "Supported Paper Sizes."

 **NOTE:** You can use the manual duplex feature using PCL 6 printer driver.

 **NOTE:** To use the manual duplex feature, select **Paper Source** other than **Auto**.

- 1 Click **Start**→**Devices and Printers**.

For Windows XP: Click **start**→ **Printers and Faxes**.

For Windows Vista: Click **Start**→ **Control Panel**→ **Hardware and Sound**→ **Printers**.

For Windows Server 2008: Click **Start**→ **Control Panel**→ **Printers**.

For Windows Server 2008 R2: Click **Start**→ **Devices and Printers**.

For Windows 8: Under Desktop mode, right-click the bottom left corner of the screen, and then click **Control Panel** → **Hardware and Sound** → **Devices and Printers**.

For Windows Server 2012: Under Desktop mode, right-click the bottom left corner of the screen, and then click **Control Panel** → **Hardware** → **Devices and Printers**.

- 2 Right-click the printer and select **Printing Preferences**.

The **General** tab appears.

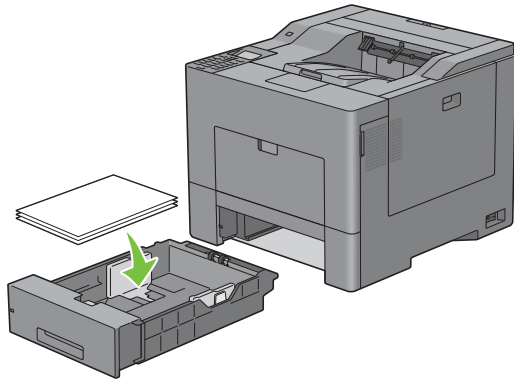
- 3 From **Paper Source**, select **Tray1**, **Tray2**, or **MPF**.
- 4 From **Duplex**, select **Flip on Short Edge** or **Flip on Long Edge**.



 **NOTE:** For details on the **Flip on Short Edge** and **Flip on Long Edge** options, see "Flip on Short Edge" and "Flip on Long Edge."

- 5 Click **OK**.


When you click the **Print** button on your printer driver, a window that shows the instructions for manual duplex printing appears and the even-numbered pages of your document are printed from the printer. If your document consists of six pages, its even-numbered pages are printed in the order of page 6, 4, and then 2. After the even-numbered pages are printed, a message **Insert Output to Tray 1 (Tray 2 or MPF) (071-920, 072-920, or 075-920)** appears on the operator panel.

- 6 Remove the stack of output from the output tray. Load the stack back into the tray without turning it over (with the blank side face up).



- 7 A message **Press  to Continue Printing (071-921, 072-921, or 075-921)** appears on the operator panel. Press the  (**Set**) button.


The odd-numbered pages are printed in the order of page 1, 3, and then 5.


 **NOTE:** You cannot duplex print mix-sized documents.

Using Booklet Print (Dell C3760n and Dell C3760dn Models)

To use the booklet print feature, select the **Enable** check box of the **Booklet Printing** in the **Layout** tab.

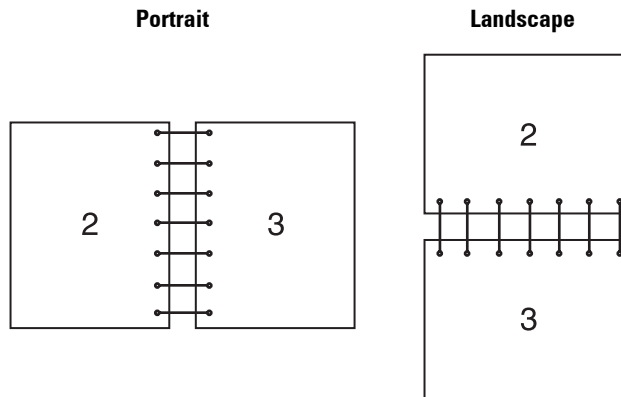
 **NOTE:** When the XPS or PS driver is used, booklet print is not available.

 **NOTE:** When using the Booklet Print feature on the Dell C3760n Color Laser Printer, **Auto** in **Paper Source** is not available.

 **NOTE:** You must select **Flip on Long Edge** in the **Duplex** when using the Booklet Print feature.

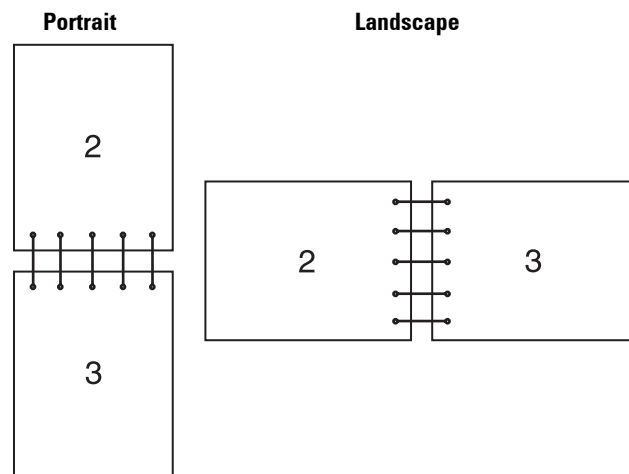
Flip on Long Edge

Assumes binding along the long edge of the page (left edge for portrait orientation and top edge for landscape orientation). The following illustration shows long-edge binding for portrait and landscape pages:




Flip on Short Edge


Assumes binding along the short edge of the page (top edge for portrait orientation and left edge for landscape orientation). The following illustration shows short-edge binding for portrait and landscape pages:



Using the Stored Print Feature

When you send a job to the printer, you can specify in the printer driver to store the job in the memory or hard disk. When you are ready to print the job, go to the printer and use the operator panel to identify which job in the memory or hard disk you want to print.

 **NOTE:** The data in the memory is cleared when the printer is turned off. The data on the optional hard disk is not cleared even when the printer is turned off.

 **NOTE:** Stored Print feature is available when:

- The optional 512MB memory module is installed.
- The RAM disk is enabled in the printer menu.
- **RAM Disk** is set to **Available** in the printer driver.

OR

- The optional hard disk is installed.

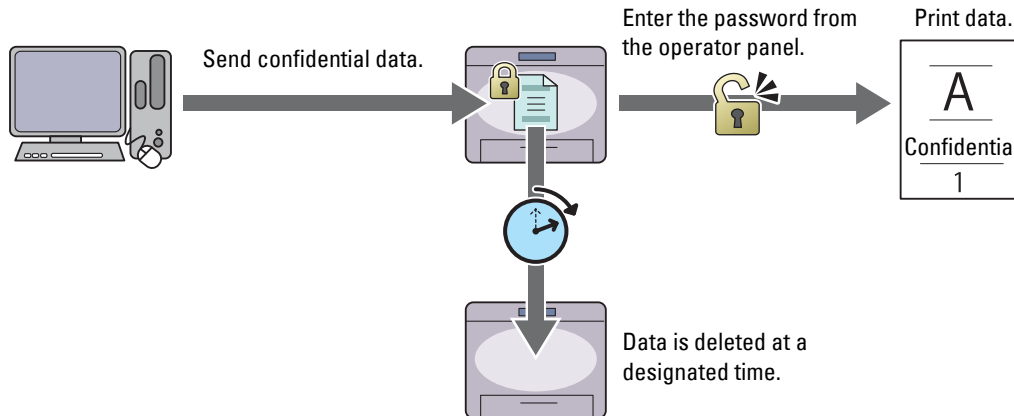
- **Hard Disk** is set to **Available** in the printer driver.

Overview

The stored printing feature includes the following job types.

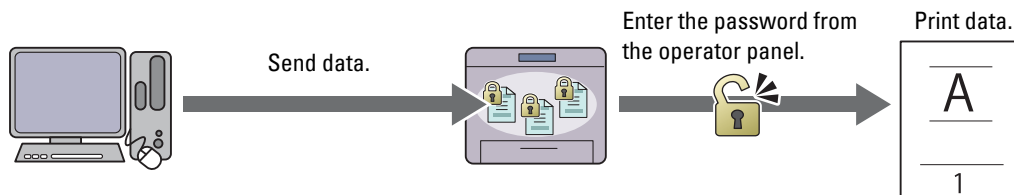
Secure Print

You can temporarily store print jobs secured with a password in the memory or hard disk. Users with the password can print them from the operator panel. This feature can be used to print confidential documents. A stored print job will be deleted after you print it or at a designated time.



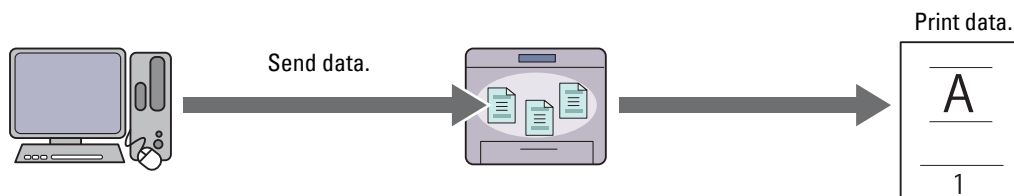
Private Mail Box Print

You can store print jobs secured with a password in the memory or hard disk. Users with the password can print them at a more convenient time from the operator panel. This feature can be used to print confidential documents. The stored jobs remain in the memory or hard disk until you delete them from the operator panel.



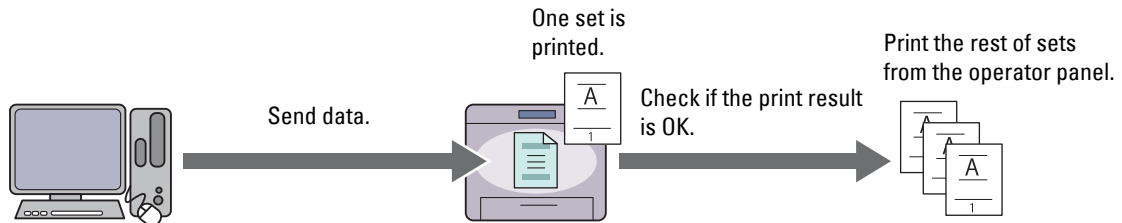
Public Mail Box Print

You can store print jobs without a password in the memory or hard disk. Any user can print them at a more convenient time from the operator panel. The stored jobs remain in the memory or hard disk until you delete them from the operator panel.



Proof Print

The collated print job is stored in the memory or hard disk, but a single copy is printed automatically so you can check the print result. If you do not have problems with the print result, you can choose to print more copies. This prevents large number of misprinted copies from being printed at one time.



The difference between each of the job types are listed below. If you want to set the password for confidentiality, store the jobs in the Secure Print or Private Mail Box Print.

Job types	Password	Differences
Secure Print	Y	<ul style="list-style-type: none"> The stored jobs will be deleted at a designated time. You cannot specify the quantity of copies from the operator panel. The quantity of copies depends on the number you specified on the printer driver.
Private Mail Box Print	Y	<ul style="list-style-type: none"> The stored jobs remain until you delete them from the operator panel.
Public Mail Box Print	N	<ul style="list-style-type: none"> You can specify the quantity of copies from the operator panel.
Proof Print	N	<ul style="list-style-type: none"> The print job is set to collate. A single copy is printed automatically. The stored jobs remain until you delete them from the operator panel. You can specify the quantity of copies from the operator panel.

NOTE: If a print job is too large for the memory available, the printer may display an error message.

Procedures for Printing Stored Print

NOTE: The stored print feature is available when using the PCL or PS driver.

When you select a job type in the printer driver, the job will be stored in the memory or hard disk until you request to print it from the operator panel. The following are procedures for storing and printing jobs.

Storing Print Jobs














To use the stored print feature, you need to select a job type other than **Normal Print** in the **General** tab of the printer driver. The job will be stored in the memory or hard disk until you request to print it from the operator panel.

NOTE: Secure Print and Private Mail Box Print require specifying a password for confidentiality.

NOTE: If a document name is not assigned to your print job in the printer driver, the job's name will be identified using the printer's time and date of submission to distinguish it from other jobs you have stored under your name.

Printing the Stored Jobs

- 1 Press the (Menu) button.
- 2 Press the button until **Print Menu** is highlighted, and then press the (Set) button.
- 3 Press the button until the desired job type is highlighted, and then press the (Set) button.


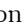
- 4 Press the  button until the desired user ID is highlighted, and then press the  (Set) button.
 **NOTE:** Secure Print and Private Mail Box Print require specifying a password for confidentiality. If you select Public Mail Box Print or Proof Print, proceed to step 6.
- 5 Enter the password using the number pad, and then press the  (Set) button.
For details about specifying the password, see "Specifying your password on the operator panel (Secure Print/Private Mail Box Print)."
- 6 Press the  button until the desired document is highlighted, and then press the  (Set) button.
- 7 Press the  button until the desired print menu is highlighted, and then press the  (Set) button.
 **NOTE:** If you want to keep the data in the memory or hard disk for the time being, select `Print`. For Secure Print, only `Print` and `Delete` is available.
- 8 Press the  button until the desired quantity menu is highlighted, and then press the  (Set) button.
 **NOTE:** If you select `Input Number of Copies`, enter the number using the number pad, and then press the  (Set) button.

The stored document will be printed.

Specifying your password on the operator panel (Secure Print/Private Mail Box Print)

When you select `Secure Print` or `Private Mail Box` from `Print Menu`, a screen to enter the password appears after selecting your user ID.

Use the number pad to enter the numeric password you specified in the printer driver. The password you entered will appear as asterisks (*****) to ensure confidentiality.

If you enter an invalid password, the message `Wrong Password Re-enter` appears. Wait 3 seconds, or press the  (Set) button or  (Cancel) button to return to the screen for entering the password.

When you enter a valid password, you have access to all print jobs matching the user ID and password you entered. The print jobs matching the password you entered appear on the screen. You can then choose to print or delete jobs matching the password you entered. (See "Printing the Stored Jobs" for more information.)


Deleting Stored Jobs

With Secure Print, a job that has been stored will be deleted after printing or deleted at a designated time entered on the operator panel.


For other jobs, these jobs remain stored until you delete them from the operator panel.

Printing from USB Memory

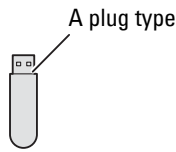
The USB Direct Print feature allows you to print files stored in a USB memory by operating from the operator panel.

 **CAUTION:** To prevent damage to your printer, do not connect any device other than USB memory to the front USB port of the printer.

 **CAUTION:** Do not remove the USB memory from the front USB port until the printer has finished printing.

 **NOTE:** If the `Function Enabled` setting for `USB Direct Print` is set to `On (Password)`, you need to enter the four digit password to use the print function. If the `Function Enabled` setting for `USB Direct Print` is set to `Off`, the print function is disabled. For details, see "Function Enabled."

The front USB port of the printer is designed for USB 2.0 devices. You must use only an authorized USB memory with an A plug type connector. Use only a metal shielded USB memory.



Supported File Formats

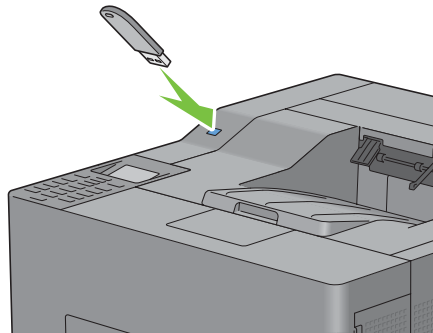
Files in the following file formats can be printed directly from a USB memory.

- PDF
- TIFF
- JPEG

Inserting and Removing a USB Memory

You can insert the USB memory before printing.

Before removing the USB memory, ensure that the printer is not accessing the USB memory.



CAUTION: If you remove the USB memory while the printer is accessing, the data in the USB memory or the USB memory device itself may be destroyed.

Printing a File in a USB Memory


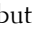

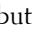

NOTE: Color printing is secured with a password if the Function Enabled setting for USB Direct Print is set to On (Color Password). If you set Output Color to Full Color and the Function Enabled setting for USB Direct Print to On (Color Password), you will need to enter the four digit password after selecting Print Start.

NOTE: Depending on how the PDF, TIFF, or JPEG file is created, the file may not be printed directly from a USB memory. In this case, open the file on a computer, and print using the printer driver.

- 1 Insert a USB memory to the front USB port of the printer.

For details about inserting a USB memory, see "Inserting and Removing a USB Memory."

If a USB memory is already inserted into the front USB port of the printer:

- a Press the  (Menu) button.
 - b Press the  button until Print Menu is highlighted, and then press the  (Set) button.
 - c Press the  button until USB Direct Print is highlighted.
- 2 Ensure that USB Direct Print is highlighted, and then press the  (Set) button.

- 3 Press the **▼** button until the desired file is highlighted, and then press the **✓** (Set) button.



NOTE: Only the following characters are displayed on the LCD panel:

A B C D E F G H I J K L M N O P Q R S T U V W X Y Z 0 1 2 3 4 5 6 7 8 9 \$ % ' ' - @ { } ~ ! # () & _ ^

- 4 Specify print options such as Output Color, Select Tray, 2 Sided Printing, Multiple-Up, Collation, and PDF Password. For details, see "USB Direct Print."
- 5 Press the **▼** or **▲** button until Print Start is highlighted, and then press the **✓** (Set) button.
- 6 Ensure that Yes is highlighted, and then press the **✓** (Set) button.

Printing With Web Services on Devices (WSD)

This section provides information for network printing with WSD, the protocol of Microsoft for Windows Vista, Windows 7, Windows 8, Windows Server 2008, Windows Server 2008 R2, and Windows Server 2012.

Adding Roles of Printer Services

When you use Windows Server 2008, Windows Server 2008 R2 or Windows Server 2012, you need to add the roles of print services to the Windows Server 2008, Windows Server 2008 R2 or Windows Server 2012 client.

For Windows Server 2008:

- 1 Click Start → Administrative Tools → Server Manager.
- 2 Select Add Roles from the Action menu.
- 3 Check the Print Services check box on the Server Roles window in the Add Roles Wizard, and then click Next.
- 4 Check the Print Server check box, and then click Next.
- 5 Click Install.

For Windows Server 2008 R2:

- 1 Click Start → Administrative Tools → Server Manager.
- 2 Select Add Roles from the Action menu.
- 3 Check the Print and Document Services check box on the Server Roles window in the Add Roles Wizard, and then click Next.
- 4 Click Next.
- 5 Check the Print Server check box, and then click Next.
- 6 Click Install.

For Windows Server 2012:

- 1 Click Server Manager of the Start screen.
- 2 Select Add Roles and Features from the Manage menu.
- 3 Click Next on the Before You Begin window → Select installation type on the Installation Type window → Select destination server on the Server Selection window in the Add Roles and Features Wizard.
- 4 Check the Print and Document Services check box on the Server Roles window, and then click Next.
- 5 Select features on the Features window → Confirm installation selections on the Confirmation window.
- 6 Click Install.

Printer Setup

You can install your new printer on the network using the *Software and Documentation* disc that shipped with your printer, or using Microsoft Windows' **Add Printer** wizard.


Installing a Printer Driver Using the Add Printer Wizard


- 1 Click **Start**→ **Devices and Printers** (**Start**→ **Control Panel**→ **Hardware and Sound**→ **Printers** for Windows Vista and Windows Server 2008).

For Windows 8 and Windows Server 2012:

Under Desktop mode, right-click the bottom left corner of the screen, and then click **Control Panel** → **Hardware and Sound** (**Hardware** for Windows Server 2012)→ **Devices and Printers**.


- 2 Click **Add a printer** to launch the **Add Printer** wizard.
- 3 Select **Add a network, wireless or Bluetooth printer**.
- 4 In the list of available printers, select the one you want to use, and then click **Next**.

 **NOTE:** In the list of available printers, the WSD printer is displayed in the form of **http://IP address/ws/**.

 **NOTE:** If no WSD printer is displayed in the list, enter the printer's IP address manually to create a WSD printer. To enter the printer's IP address manually, follow the instructions below.

For Windows Server 2008 R2, to create a WSD printer, you must be a member of Administrators group.

1. Click **The printer that I want isn't listed**.
2. Select **Add a printer using a TCP/IP address or hostname** and click **Next**.
3. Select **Web Services Device** from **Device type**.
4. Enter the printer's IP address in the **Hostname or IP address** text box and click **Next**.

 **NOTE:** Before installing the driver using the Add Printer wizard on Windows Server 2008 R2 or Windows 7, perform one of the following:

- Establish the Internet connection so that Windows Update can scan your computer.
- Add the printer driver to your computer.

- 5 If prompted, install the printer driver on your computer. If you are prompted for an administrator password or confirmation, type the password or provide confirmation.
- 6 Complete the additional steps in the wizard, and then click **Finish**.
- 7 Print a test page to verify print installation.
 - a Click **Start**→ **Devices and Printers** (**Start**→ **Control Panel**→ **Hardware and Sound**→ **Printers** for Windows Vista and Windows Server 2008).

For Windows 8 and Windows Server 2012:

Under Desktop mode, right-click the bottom left corner of the screen, and then click **Control Panel** → **Hardware and Sound** (**Hardware** for Windows Server 2012)→ **Devices and Printers**.

- b Right-click the printer you just created, and then click **Printer properties** (**Properties** for Windows Vista and Windows Server 2008).
- c On the **General** tab, click **Print Test Page**. When a test page prints successfully, installation is complete.

Printing With AirPrint




This section provides information for printing with AirPrint. AirPrint allows you to print through a network with iPad (all models), iPhone (3GS or later), and iPod touch (3rd generation or later) running the latest version of iOS. AirPrint also allows you to accomplish basic network printing with Macintosh (Mac OS X 10.7 or later) without installing additional drivers.

Setting Up AirPrint on Your Printer


To use AirPrint, Bonjour (mDNS) and IPP protocols are required on your printer. Make sure that Bonjour (mDNS) and IPP are set to Enable on the operator panel menu. See "Protocols" for details. Bonjour (mDNS) and IPP can also be enabled by clicking **Turn on AirPrint** from the **Dell™ Printer Configuration Web Tool**. Follow the procedure below to configure the environment settings for AirPrint from the **Dell Printer Configuration Web Tool**.

- 1 Ensure that the printer is connected to the network.
- 2 Launch the **Dell Printer Configuration Web Tool** by entering the IP address of the printer in your web browser. For more information, see "Setting Up the Dell Printer Configuration Web Tool" and "Starting the Dell Printer Configuration Web Tool."
- 3 When the **Dell Printer Configuration Web Tool** opens, go to the pages in the **Print Server Settings** tab. Click **Turn on AirPrint** in **Enable AirPrint**. The printer is ready for AirPrint.

 **NOTE:** If the **Turn on AirPrint** button is not active, it means that both Bonjour (mDNS) and IPP are already set to Enable on the operator panel menu and the printer is ready for AirPrint.

Printing via AirPrint

The following procedure uses the iPhone running iOS5 as an example.

- 1 Open your email, photo, web page, or document you want to print.
- 2 Tap the action icon .
- 3 Tap **Print**.
- 4 Select your printer and set printer options.
- 5 Tap **Print**.

 **NOTE:** To cancel the printing job, double click the **Home** button, tap the **Print Center** icon . If there are more than one job in the queue, select the job you want to cancel, then tap **Cancel Printing**.


Printing With Google Cloud Print™


This section provides information for Google Cloud Print service with your smart phone, tablet, or any other device. By registering the printer to your Google™ account, you can use the Google Cloud Print service to print from various devices connected to the Internet. You can print documents, photos or e-mails using the Google Chrome™ browser or applications such as Google Drive™ on your mobile device. For more information about Google Cloud Print, visit the Google web site.

Preparing to Use the Printer with Google Cloud Print

To use Google Cloud Print, you need to prepare the following in advance:

- Connect the printer to a network that has access to the Internet.





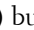

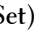

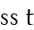

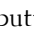
 **NOTE:** Google Cloud Print supports only IPv4 connection.

 **NOTE:** If the printer is connected to a network that uses a proxy server, you need to specify the settings in **Proxy Server** from the **Dell Printer Configuration Web Tool**. For more information, see "Proxy Server."

- Acquire a Google account and a Gmail™ address.

- Set **Google Cloud Print to Enable** from the operator panel menu, or set **Google Cloud Print to On** from the **Dell Printer Configuration Web Tool**.

When using the operator panel

- 1 Press the  (Menu) button.
- 2 Press the  button until **Admin Settings** is highlighted, and then press the  (Set) button.
- 3 Press the  button until **Network** is highlighted, and then press the  (Set) button.
- 4 Press the  button until **Protocols** is highlighted, and then press the  (Set) button.
- 5 Press the  button until **Google Cloud Print** is highlighted, and then press the  (Set) button.
- 6 Press the  button until **Enable** is highlighted, and then press the  (Set) button.
- 7 Turn off the printer, and turn it on again to apply the settings.

When using the Dell Printer Configuration Web Tool

- 1 Launch the **Dell Printer Configuration Web Tool** by entering IP address of the printer in your web browser. For more information, see "Setting Up the Dell Printer Configuration Web Tool" and "Starting the Dell Printer Configuration Web Tool."
- 2 When the **Dell Printer Configuration Web Tool** opens, go to the pages in the **Print Server Settings** tab. Click **Port Settings**. In **Port Status**, select the **On** check box for **Google Cloud Print**.

Registering the Printer to Your Google Account

To register the printer to your Google account, follow the procedure below.




- 1 Launch the **Dell Printer Configuration Web Tool** by entering IP address of the printer in your web browser. For more information, see "Setting Up the Dell Printer Configuration Web Tool" and "Starting the Dell Printer Configuration Web Tool."
- 2 When the **Dell Printer Configuration Web Tool** opens, go to the pages in the **Print Server Settings** tab. Click **Register This Device to Google Cloud Print in Google Cloud Print**. A sheet with a URL for the Google Cloud Print printer registration web site is printed.
- 3 From the web browser of your computer, visit the Google web site and sign in with your Google account. Visit the Google Cloud Print registration web site by entering the URL on the printout into your web browser. You can also visit the site by scanning the QR code with your mobile device.
- 4 On the Google Cloud Print registration web site, click **Finish printer registration**.
- 5 Click **Manage your printers**. Your printer will be listed in the **Printers** list and will be ready for use with the Google Cloud Print service.

Printing via Google Cloud Print

The printing procedure varies depending on the application or the device you are using. You can see the application list that supports Google Cloud Print service on the Google web site.

Printing From an Application on a Mobile Device



The following procedure uses the Google Drive application on an Android mobile device as an example.

- 1 Install the Google Drive application on your mobile device.
 -  **NOTE:** You can download the application from Google Play.
- 2 Access the Google Drive application from your mobile device and tap  to select the document.
- 3 Tap  and then tap **Print**.
- 4 Select your printer from the list.

- 5 Select printer options and then tap **Print**.

Printing From Google Chrome

The following procedure uses the Google Chrome browser on a Windows PC as an example.

- 1 Open the Google Chrome browser.
- 2 Open the web page or e-mail that you want to print.
- 3 Click  or  (varies depending on the version of the Google Chrome browser) in the top right corner and then click **Print**.
- 4 Click **Change** in the **Destination** area.
- 5 Choose your printer from the Google Cloud Print area.
- 6 Click **Print**.

Printing a Report Page

You can print a variety of settings for your printer including printer settings, panel setting, and font list. For details about how to print reports or lists, see "Report / List."

Printer Settings

You can change most of the print settings from the application you are printing from. If your printer is attached to the network, you can also change settings from the **Dell Printer Configuration Web Tool**. To launch the **Dell Printer Configuration Web Tool**, type the printer's IP address in your web browser. To find your printer's IP address, see "Verifying the IP Settings."

Settings from the application update the default system settings for the printer. Settings from the printer driver only apply to the job that you are currently sending to the printer.

If you cannot change a setting from the application, use the operator panel, **Tool Box** or the **Dell Printer Configuration Web Tool**. Changing a system setting from the operator panel, **Tool Box** or from the **Dell Printer Configuration Web Tool** makes that setting the user default.

You can verify the detailed system settings by printing a printer settings report. For details about how to print a printer settings report, see "Report / List."


You can reset settings to their default values from the **Tool Box** or the operator panel. For details, see "When Using the Tool Box" or "When Using the Operator Panel."

Using the Operator Panel to Change the Printer Settings

You can select menu items and corresponding values from the operator panel.

When you first browse through the menus from the operator panel, you see some menu items are highlighted.

These highlighted items are the factory default and original system settings.

 **NOTE:** Factory defaults may vary for different countries.

When you select a new setting from the operator panel, the item selected is highlighted to identify it as the current user default menu setting.

These settings are active until new ones are selected or the factory defaults are restored.

Driver settings may override changes previously made and may require you to change the operator panel defaults.

Using the Dell Printer Configuration Web Tool to Change the Printer Settings

If your printer is connected to the network, you can change the printer settings from your web browser. If you are a network administrator, you can clone the system settings of one printer to one or all the printers on the network.

Type the IP address of your printer in your web browser. Choose **Printer Settings** from the topics list. From the **Printer Settings** tab, select the **System Settings** to change the printer settings.

To change the paper type and size, choose **Tray Settings** from the topics list. To change the ColorTrack settings, choose **Print Volume** from the topics list, and then select the **Dell ColorTrack** tab.

To copy your system settings to another printer on the network, choose **Copy Printer Settings** from the topics list, and then type the other printer's IP address.

If you do not know your printer's IP address, see the printer settings report or display the TCP/IP settings. For details about how to find your printer's IP address, see "Verifying the IP Settings."

Know Your Printer

20 Understanding Your Printer Software	261
21 Printing Using ColorTrack (External Authentication)	273
22 Using Digital Certificates	281
23 Understanding Fonts	293
24 Understanding Printer Messages	301
25 Specifications	307

Understanding Your Printer Software

Use the *Software and Documentation* disc that shipped with your printer to install a combination of software programs, depending on your operating system.

 **NOTE:** The images used in this manual are those of the Dell™ C3760dn Color Laser Printer unless otherwise mentioned.

Printer Status Window

The **Printer Status** window alerts you when there is a warning or when an error occurs, for example, when a paper jam occurs or toner is running low.

By default, the **Printer Status** window launches only when an error occurs. When an error occurs, the error message appears on the **Printer Status** window. You can set the **Printer Status** window to always launch when printing in **Printing Status Window Properties**.

You can also check toner level, quantity of paper remaining or the configuration of options for the printer.

Status Monitor Console

Use the **Status Monitor Console** to manage multiple instances of the **Status Window** for a particular printer.

Select a printer from the list view (or **Printer Selection**) by clicking its name to open a **Status Window** for a particular printer.

Dell Supplies Management System


You can launch the **Dell Supplies Management System** dialog box from the **All Programs** menu or the desktop icon.

You can order consumables by phone or from the web.

- 1 Click **Start**→ **All Programs**→ **Dell Printers**→ **Additional Color Laser Software**→ **Dell Supplies Management System**.

The **Dell Supplies Management System** window appears.

- 2 Select your printer from the **Select Printer Model** list.
- 3 If you are ordering from the web:
 - a Select a URL from the **Select Reorder URL** list.
 - b Click **Visit Dell printer supplies ordering web site**.

 **NOTE:** When you cannot get information from the printer automatically by two-way communication, a window prompting you to type the **Service Tag** appears. Type the **Service Tag** of your Dell printer in the field provided. Your **Service Tag** is located inside the front cover of your printer.

- 4 If you order by phone, call the number that appears in the **Order by Phone** section.

User Setup Disk Creating Tool

The **User Setup Disk Creating Tool** program located in the **MakeDisk** folder of the **Utilities** folder on the *Software and Documentation* disc and the printer drivers located on the *Software and Documentation* disc are used to create driver installation packages that contain custom driver settings. A driver installation package can contain a group of saved printer driver settings and other data for things such as:

- Print orientation and Multiple Up (document settings)
- Watermarks
- Font references

If you want to install the printer driver with the same settings on multiple computers running the same operating system, create a setup disk in a floppy disk or in a server on the network. Using the setup disk that you have created will reduce the amount of work required when installing the printer driver.


- Install the printer driver in the computer on which the setup disk is to be created.
- The setup disk can only be used on the operating system on which the disk was created or computers running the same operating system. Create a separate setup disk for each of the operating systems.

Software Update

The firmware and/or driver updates can be downloaded from the Dell Support web site located at support.dell.com.

Printer Utility Software

You can open the **Status Window**, **Tool Box**, **Updater**, and **Troubleshooting** using the **Quick Launch Utility** window.

 **NOTE:** **Quick Launch Utility** is only supported on Microsoft® Windows®.

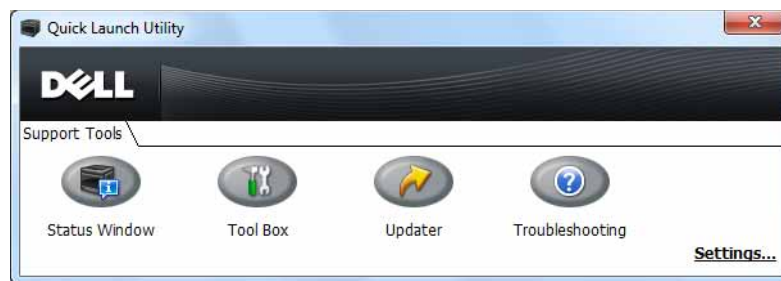
To use the **Quick Launch Utility**, select to install the **Quick Launch Utility** when you install the Dell software.

To install the Dell software, follow the instructions below.

- 1 Insert the *Software and Documentation* disc into your computer and click `setup_assist.exe` to start **Easy Setup Navigator**.
- 2 Click **Installing Driver and Software**.
- 3 Follow the on-screen instructions.

To open the **Quick Launch Utility** window:

- 1 Click **Start**→ **All Programs**→ **Dell Printers**→ **Additional Color Laser Software**→ **Quick Launch Utility**.



The **Quick Launch Utility** window provides four buttons: **Status Window**, **Tool Box**, **Updater**, and **Troubleshooting**.

To exit the **Quick Launch Utility** window:

- 1 Click the Close (x) button at the top-right of the window.
For details, click **Help** of each application.

Status Window

The **Status Window** button opens the **Printer Status** window. For more information about using **Status Window**, refer to "Printer Status Window."

Tool Box

The **Tool Box** button opens the **Tool Box**. For more information about using **Tool Box**, refer to "Understanding the Tool Box Menu."

Updater

The **Updater** button updates the Dell software and printer firmware.

Troubleshooting

The **Troubleshooting** button opens the Troubleshooting Guide, which allows you to solve problems by yourself.

Status Monitor Widget for Macintosh

Status Monitor Widget is a printer utility that promotes efficient use of the printer through the exchange of information between the Macintosh and the printer.

Status Monitor Widget Feature

- **Monitoring Dell Printers**
Allows you to check the status of Dell printers currently connected to your Macintosh
- **Receiving Alerts**
Alerts you to problems, such as paper jams or low toner
- **Ordering Supplies**
Allows you to access the web site to order supplies

Before Installing the Status Monitor Widget

Operating systems


- Mac OS X 10.4.11
- Mac OS X 10.5
- Mac OS X 10.6
- Mac OS X 10.7
- Mac OS X 10.8

Network protocols and interfaces

- LPR
- Socket 9100
- Bonjour
- USB 2.0 and 1.1 (When connecting with multiple printers of the same model via USB cables, only the printer recognized first can be monitored in the **Status Monitor Widget**.)

Installing the Status Monitor Widget

- 1 Double-click the **Status Monitor Installer** icon in the **Finder** window.
- 2 Follow the on-screen instructions.
When the **Install Succeeded** screen appears, the installation is complete.

 **NOTE:** Entering the administrative login name and password are required during the installation process.

Opening and Closing the Status Monitor Widget

Opening the Status Monitor Widget


- 1 Click the Dashboard icon in the Dock to launch Dashboard.

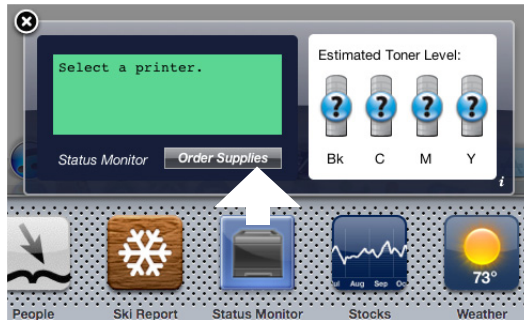


- 2 Click the Plus (+) sign to display the Widget Bar.



- 3 Click the icon of Status Monitor in the Widget Bar. The Printer Status window appears.

 **NOTE:** If the message **Select a printer** is displayed, select your printer in **Preferences**. (For more information on Preferences, see "Preferences.")

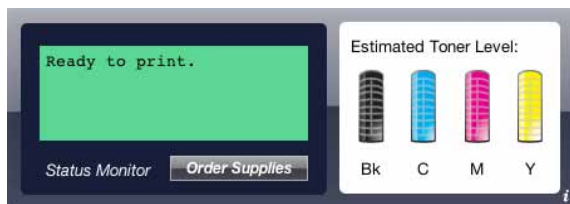


Closing the Status Monitor Widget

- 1 Click the Close (x) button in the upper-left corner of the Printer Status window.


Printer Status Window


When the Status Monitor Widget is activated, the Printer Status window appears on Dashboard.




Printer Status Message Area

Displays a message of the current printer status.

 **NOTE:** The **Status Monitor Widget** automatically obtains the printer information at the updated interval that can be specified in **Preferences**. Also, the printer status is refreshed when Dashboard is launched or **Preferences** is closed.

 **NOTE:** If the **Status Monitor Widget** receives no response from the printer, the message **Cannot get printer information** is displayed.


 **NOTE:** When the printer is connected via USB cable, you cannot check the status of the printer during a print job.

Printer Status Image Area

Displays the image of printer condition.

- Estimated Toner Level image
Displays the estimated toner level of each color if the printer is functioning properly.



 **NOTE:** If the utility does not receive a response from the printer, the **Unknown** toner image is displayed.

- Printer error image
Displays an indication image when an error occurs.




An error has occurred and the printer cannot be used.

Order Supplies button

Click this button to display the **Order** window.
To hide the **Order** window, click **Order Supplies** again.

Info (i) button

Click this button to open **Preferences**.


 **NOTE:** The **info (i)** button appears on the lower-right corner of the window when the cursor is over the **Printer Status** window.
The **info (i)** button is a standard used across all widgets.

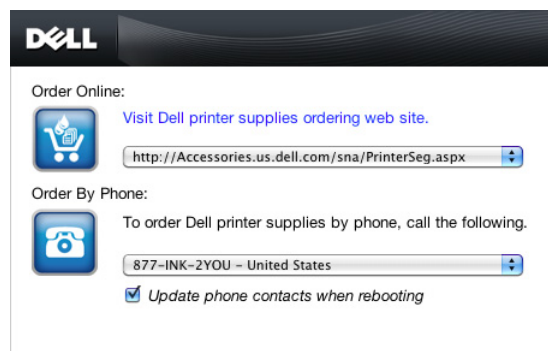
Order Window

This window provides you with the information for ordering printer supplies by telephone or from the web site.

To open the **Order** window:

- 1 Click **Order Supplies** in the **Printer Status** window.
The **Order** window appears.

 **NOTE:** The **Order** window appears when low toner is detected.



Order Online

- Visit Dell printer supplies ordering web site hyperlink

Click the **Visit Dell printer supplies ordering web site** hyperlink to access the web site for ordering Dell printer supplies.

- URL list

Displays a list of available URLs where you can order Dell printer supplies.

Select a URL address to use when the **Visit Dell printer supplies ordering web site** hyperlink is clicked.

Order By Phone

- Phone number list

Displays a list of available phone numbers that you can call to order Dell printer supplies.

- Update phone contacts when rebooting check box

Select this check box to regularly update the phone number list.

Dell and the Environment


Click the hyperlink to access the web site about recycling.

Preferences

To open Preferences:

- 1 Click the **info (i)** button in the **Printer Status** window.

Preferences appears.

 **NOTE:** The **info (i)** button appears on the lower-right corner of the window when the cursor is over the **Printer Status** window. The **info (i)** button is a standard used across all widgets.



Printer

Displays a list of available printer names in the pull down menu. The first printer displayed in this list is set as default.

Status Update Interval


You can specify the update interval of the printer status. By default, it is set to obtain the printer information every 10 seconds. It can be set from 0 second to 600 seconds.

SNMP Community Name

You can change the SNMP (Simple Network Management Protocol) community name if using default community name (public). Up to 31 characters can be entered.

Service Tag button

Click this button to obtain the service tag.

 **NOTE:** You cannot retrieve the service tag when the printer is connected via USB cable.

done button

Click this button to return to the **Printer Status** window.


Status Monitor Console for Linux

Status Monitor Console is a printer utility that promotes efficient use of the printer through the exchange of information between the Linux and the printer.

Status Monitor Console Feature


- Monitoring Dell Printers
Allows you to check the status of Dell printers currently connected to your Linux.
- Receiving Alerts
Alerts you to problems, such as paper jams or low toner.
- Ordering Supplies
Allows you to access the web site to order supplies.

Before Installing the Status Monitor Console

 **NOTE:** The **Status Monitor Console** requires the following modules installed.

- Python, PyGTK, Net-SNMP, cups-libs, and xdg-open

Please confirm that these modules are installed before you install the **Status Monitor Console**.

 **NOTE:** The **Status Monitor Console** is available when the printer is connected to a network (LPR or Socket 9100). USB connection is not supported.

Distributions

- Red Hat® Enterprise Linux® 5 Desktop
- Red Hat Enterprise Linux 6 Desktop
- SUSE® Linux Enterprise Desktop 10
- SUSE Linux Enterprise Desktop 11

Printing system

- CUPS (Common Unix Printing System)

Installing the Status Monitor Console

- 1 Activate the terminal, and log in as a super user.
- 2 Type the following rpm command in the terminal window.

```
# rpm -ivh (Type the package file name)
```

Starting the Status Monitor Console

- 1 Click Dell Printers→ Status Monitor Console

The **Printer Selection** window appears.

For more information on Printer Selection window, see "Printer Selection Window."

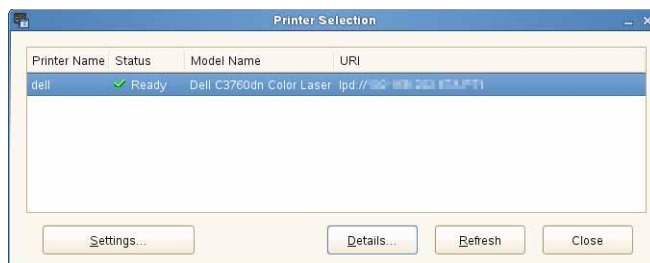
- 2 Select your printer.

The **Printer Status** window appears.

For more information on **Printer Status** window, see "Printer Status Window."

- You can order supplies from the **Dell Supplies Management System** window. See "Dell Supplies Management System Window."

Printer Selection Window



Printers list

All the printers registered in the CUPS (Common UNIX Printing System) are displayed in a list.

- Status icons:
 - ✓ Ready
 - ⚠ Unknown/Offline/Toner Low/Paper Low
 - ✗ Door Open/Paper Jam/No Toner/Out Of Paper

Settings button

Click this button to open the **Settings** window.

Details button

Click this button to open the **Printer Status** window. If a non-supported printer is selected, it opens the **Dell Printer Configuration Web Tool**. For details on the **Dell Printer Configuration Web Tool**, see "Dell™ Printer Configuration Web Tool."

Refresh button

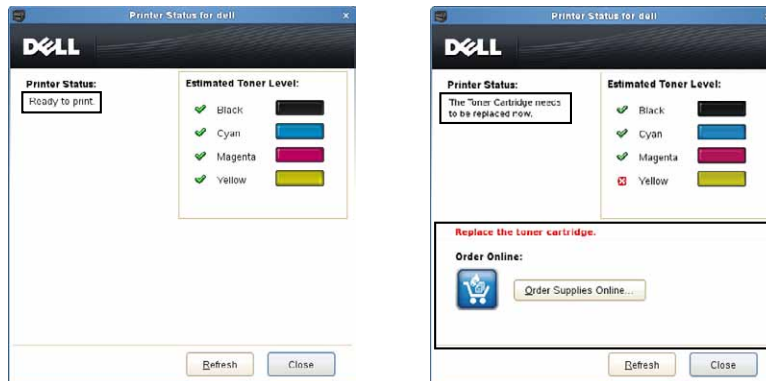
Click this button to update the information of printers.

Close button

Click this button to close the **Printer Selection** window.


Printer Status Window


When the printer is specified in the **Printer Selection** window, the **Printer Status** window appears.







Printer Status Message Area

Displays a message of the current printer status.

 **NOTE:** The **Status Monitor Console** automatically obtains the printer information at the updated interval that can be specified in the **Settings** window. Also, the printer status is refreshed when the **Refresh** is clicked.

 **NOTE:** If the **Status Monitor Console** receives no response from the printer, the message **Cannot get printer information** is displayed.

Printer Status Image Area

- Current Toner Status icons
Displays icons of the current status of each toner.
 -  The toner level is more than 30%.
 -  The toner level is less than 29%.
 -  The toner level is less than 9%.
 -  The toner level is unknown.
- Estimated Toner Level images
Keeps you informed about the amount of toner that remains for each color.

Toner Alert

Displays an alert message when any remaining toner is low, empty, or unknown.

Order Online

- Order Supplies Online button
Click this button to access the web site for ordering Dell printer supplies. This button appears when the amount of toners becomes less than 30%.

Refresh button

Click this button to update the status of the printer.

Close button

Click this button to close the **Printer Status** window.

Dell Supplies Management System Window

This window provides you with the information for ordering printer supplies by telephone or from the web site.

To open the Dell Supplies Management System window:

- 1 Click **Order Supplies Online** button in the **Printer Status** window.

OR

Click **Dell Printers**→**Dell Supplies Management System**.



Select Printer Model

Select your printer model name.

Order Online

- **Order Supplies Online** button
 - When the Regular URL is selected in the **Select Reorder URL**:
Click this button to open the **Service Tag** window.
 - When the Premier URL is selected in the **Select Reorder URL**:
Click this button to open the procurement and support web site.
- **Select Reorder URL**
Displays a list of available URLs where you can order Dell printer supplies. Select a URL address to use when the **Order Supplies Online** button is clicked.
 - Regular URL: <http://accessories.us.dell.com/sna/printerseg.aspx>
 - Premier URL: <http://premier.dell.com>

Order by Phone

- **To order Dell printer supplies by phone, call the following**
Select your country with phone number from the list, and call the displayed telephone number to order supplies.
- **Update phone contacts when rebooting** check box
Select this check box to regularly update the phone number list.

Dell and the Environment

Click the hyperlink to access the web site about recycling.


Close button

Click this button to close the **Dell Supplies Management System** window.

Service Tag Window



- 1 Enter the Dell printer service tag.

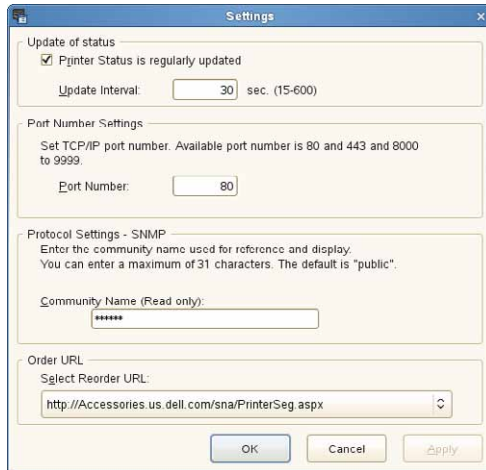
 **NOTE:** For information on the service tag, see "Express Service Code and Service Tag."

Settings Window

To open the **Settings** window:

- 1 Click **Settings** in the **Printer Selection** window.

The **Settings** window appears.



Update of status

- **Printer Status is regularly updated** check box
Select the check box to enable/disable the printer status to be updated by the specified interval.
- **Update interval** text box
Specify the update interval of the printer status.

Port Number Settings

- **Port Number**
Specify the port number in the **Port Number** text box to open the setting page of your printer in a web browser.

Protocol Settings - SNMP

- **Community Name**

Enter the Community name of SNMP in the **Community Name** text box.

Order URL


- **Select Reorder URL**

The selected URL address is set as default web site for the **Select Reorder URL** in the **Dell Supplies Management System** window.

Printing Using ColorTrack (External Authentication)

With ColorTrack, you can restrict the number of pages that can be printed per user, specify the users who can print in color, and restrict the users who can access the printer, based on the user information registered on the external authentication server or the printer.

To print using ColorTrack, you must set ColorTrack Settings and the printer driver. Also, you must set the external server with ColorTrack for using an external authentication server. To set the external server, consult your system administrator.

 **NOTE:** To restrict color printing when ColorTrack is disabled, set `Auto Color To Mono Print` to `On`. All print jobs are printed in black and white even when color is specified. For details, see "Auto Color To Mono Print."

ColorTrack Settings

To print using Dell™ ColorTrack, configure the following settings.

- "Dell ColorTrack"
- "Authentication System"
- "Kerberos Server"
- "LDAP Server"
- "LDAP Authentication"

Dell ColorTrack













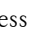

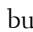



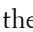

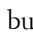
Specify the authentication method.

When Using the Dell Printer Configuration Web Tool

- 1 Launch Dell Printer Configuration Web Tool.
 - a Open the web browser.
 - b Enter the IP address of your printer in the web browser.
See "Dell™ Printer Configuration Web Tool."
- 2 Select **Print Volume**.
- 3 Click the **Dell ColorTrack** tab.
 - Select **External Mode** for **ColorTrack Mode**.
 - Select the **On** check box for **Non Registered User** when you permit the printing of data with no authentication information. If not, clear the **On** check box.
 - Enter the password when **External Mode** is selected for **ColorTrack Mode** and **On** is selected for **Non Registered User**. Then, re-enter the password to confirm the password that you entered.
 - Select the **On** check box for **ColorTrack Error Report**, if necessary.
- 4 Click **Apply New settings**.
- 5 Turn off the printer, and turn it on again to apply the settings.

When Using the Operator Panel

You can specify only the settings of ColorTrack Mode, Non Registered User, and ColorTrack Error Report using the operator Panel.

- 1 Press the  (Menu) button.
- 2 Press the  button until Admin Settings is highlighted, and then press the  (Set) button.
- 3 Press the  button until System Settings is highlighted, and then press the  (Set) button.
- 4 Press the  button until ColorTrack Mode is highlighted, and then press the  (Set) button.
- 5 Press the  button until External Mode is highlighted, and then press the  (Set) button.
- 6 When the Restart System screen appears, press the  button, and then press the  (Back) button.
- 7 Press the  button until Non Registered User is highlighted, and then press the  (Set) button.
- 8 Press the  button until Off or On is highlighted, and then press the  (Set) button.
- 9 When the Restart System screen appears, press the  button, and then press the  (Back) button.
- 10 Press the  button until ColorTrack ErrRep is highlighted, and then press the  (Set) button.
- 11 Press the  button until Off or On is highlighted, and then press the  (Set) button.
- 12 Turn off the printer, and turn it on again to apply the settings.

ColorTrack Mode

The following two authentication modes are available: the Internal Mode using user information registered on the printer, and the External Mode using user information registered on an external server. To authenticate on the external authentication server with External Mode, you need not register user information on the printer. The change becomes effective after the printer is turned off and then on again.


Non Registered User

Specify whether to permit the printing of data with no authentication information. This setting is enabled when the printer is restarted. The change becomes effective after the printer is turned off and then on again.

Non Registered User Password

Specify the password to be used for non-account user using 1 to 127 alphanumeric characters. If the password is left blank (NULL), you cannot log in to a server. The change becomes effective after the printer is turned off and then on again.

 **NOTE:** When **External Mode** is specified and **Non Registered User** is set to On, you must set a password.

 **NOTE:** When using an LDAP server, you also must set the same password on the server.

Re-enter Non Registered User Password


Enter the Non Registered user password again to confirm it.

ColorTrack Error Report

Specify whether to automatically print error-related information if printing using ColorTrack results in an error.

Setup Remote Authentication

Click Setup Remote Authentication Page to display the Authentication System page.

 **NOTE:** This item is displayed only when **External Mode** is specified.

Authentication System

Specify the server authentication type, the server response time-out, or the search time-out.

When Using the Dell Printer Configuration Web Tool

- 1** Launch **Dell Printer Configuration Web Tool**.
 - a** Open the web browser.
 - b** Enter the IP address of your printer in the web browser.
See "Dell™ Printer Configuration Web Tool."
- 2** Select **Print Server Settings**.
- 3** Click the **Security** tab.
- 4** Select **Authentication System**.
Authentication System page is displayed.
 - Select the authentication system for **Authentication System Settings**.
 - Specify the time-out period for **Server Response Time-Out**.
 - Specify the time-out period for **Search Time-Out**.
- 5** Click **Apply New settings**.
- 6** Turn off the printer, and turn it on again to apply the settings.

Authentication System Settings

Select the authentication system from the list. The change becomes effective after the printer is turned off and then on again.

Server Response Time-Out

Specify the amount of time the printer should wait for response from the server. Set the time period from 1 up to 75 seconds. The change becomes effective after the printer is turned off and then on again.

Search Time-Out

Specify the amount of time the printer should wait for searching for the server. Set the time period from 5 up to 120 seconds. The change becomes effective after the printer is turned off and then on again.

Kerberos Server

Specify the settings for the Kerberos Server.

When Using the Dell Printer Configuration Web Tool


- 1** Launch **Dell Printer Configuration Web Tool**.
 - a** Open the web browser.
 - b** Enter the IP address of your printer in the web browser.
See "Dell™ Printer Configuration Web Tool."
- 2** Select **Print Server Settings**.
- 3** Click the **Security** tab.
- 4** Select **Kerberos Server**.


- 5 Enter the IP address or host name, and the port address in **IP Address / Host Name & Port of Kerberos Server** (for ColorTrack PRO).
- 6 Enter the domain name in **Domain Name**.
- 7 Click **Apply New settings**.
- 8 Turn off the printer, and turn it on again to apply the settings.


IP Address / Host Name & Port

Specify the IP address or host name, and the port address. The change becomes effective after the printer is turned off and then on again.

 **CAUTION: Do not use the same port address as that of another port.**


 **NOTE:** The port address must be 88 or between 5,000 and 65,535. The default value is 88.

 **NOTE:** Specify the IP address in the nnn.nnn.nnn.nnn format for IPv4. Each section of "nnn" is a variable value between 0 and 255.

 **NOTE:** Specify the IP address in the xxxx:xxxx:xxxx:xxxx:xxxx:xxxx:xxxx:xxxx format for IPv6. Each section of "xxxx" is a hexadecimal variable value.


Domain Name

Specify the domain name of the Active Directory® in **Domain Name** (Realm Name). The change becomes effective after the printer is turned off and then on again.

 **NOTE:** Specify the domain name with uppercase characters. Depending on your server, an error may occur if you specify the domain name with lowercase characters.

LDAP Server

Specify the directory server and the authentication method to execute LDAP authentication or to acquire information using LDAP, and specify the range and attributes for searching.

 **NOTE:** When using LDAPS or certificate verification, you must set the LDAP server or import an external certificate. For more information, see "Using Digital Certificates."

When Using the Dell Printer Configuration Web Tool

- 1 Launch **Dell Printer Configuration Web Tool**.
 - a Open the web browser.
 - b Enter the IP address of your printer in the web browser.
See "Dell™ Printer Configuration Web Tool."

2 Select **Print Server Settings**.

3 Click the **Security** tab.

4 Select **LDAP Server**.

Server Information (for ColorTrack PRO):

- Enter the IP address or the host name, and the port address in **IP Address / Host Name & Port**.
- Confirm the software information for **LDAP Server**.

Optional Information (for ColorTrack PRO):

- Enter a text string in **Search Directory Root**.
- Enter the login name in **Login Name**.
- Enter the password in **Password**. Then, re-enter the password to confirm the password that you entered.

- Specify the time-out period for **Search Time-Out**.

- 5 Click **Apply New settings**.
- 6 Turn off the printer, and turn it on again to apply the settings.

Server Information (for ColorTrack PRO)

IP Address / Host Name & Port

Specify the IP address or the host name, and the port address. The change becomes effective after the printer is turned off and then on again.



CAUTION: Do not use the same port address as that of another port.



NOTE: The port address must be 389, 636 or between 5,000 and 65,535. The default value is 389. When using LDAPS, normally specify 636.



NOTE: Specify the IP address in the nnn.nnn.nnn.nnn format for IPv4. Each section of "nnn" is a variable value between 0 and 255.



NOTE: Specify the IP address in the xxxx:xxxx:xxxx:xxxx:xxxx:xxxx:xxxx:xxxx format for IPv6. Each section of "xxxx" is a hexadecimal variable value.

LDAP Server

Displays the current software information of the LDAP server.

Optional Information (for ColorTrack PRO)

Search Directory Root

Specify a text string as the origin of the search when using LDAP communication. The change becomes effective after the printer is turned off and then on again.

For example: ou=colortrackv3,dc=win2003ad,dc=colortrack.dc=net

Login Name

Specify the login name for accessing the directory server with LDAP authentication. Specify the name of a user with the authority to update the LDAP server. The change becomes effective after the printer is turned off and then on again.

Password

Specify the password for accessing the directory server with LDAP authentication. Specify the password of a user with the authority to update the LDAP server using 1 to 127 alphanumeric characters. If the password is left blank (NULL), you cannot log in to a server. The change becomes effective after the printer is turned off and then on again.

Re-enter Password

Enter the password again to confirm it.

Search Time-Out

Specify the amount of time the printer should wait for searching for the server. To specify a time-out period for searching, select **Wait**, and set the time period from 5 up to 120 seconds. To not specify a time-out period, select the **Wait LDAP Server Limit**. The change becomes effective after the printer is turned off and then on again.

LDAP Authentication

Specify the LDAP server authentication method.

When Using the Dell Printer Configuration Web Tool

1 Launch Dell Printer Configuration Web Tool.

- a** Open the web browser.
- b** Enter the IP address of your printer in the web browser.
See "Dell™ Printer Configuration Web Tool."

2 Select **Print Server Settings**.

3 Click the **Security** tab.

4 Select **LDAP Authentication**.

LDAP Authentication (for ColorTrack PRO):

- Confirm the authentication method.
- When adding a text string to the UserID, select **Enable for Use Added Text String**.
- When **Enable** is selected for **Use Added Text String**, enter the additional text string in **Text String Added to User Name**.

5 Click **Apply New settings**.

6 Turn off the printer, and turn it on again to apply the settings.

Authentication Method

Displays the current LDAP authentication method. **Direct Authentication** executes server authentication with the UserID and password entered.

Use Added Text String

Specify whether to add a text string to the UserID. The change becomes effective after the printer is turned off and then on again.

Text String Added to User Name

When using an added string for the user name, specify the text string to be added.

For example: if the user name is "abcde@myhost.example.com", normally you must enter "abcde@myhost.example.com".

However if **Use Added Text String** is set to **Enable**, and "@myhost.example.com" is specified in **Text String Added to User Name**, only the data "abcde" must be entered with the printer driver, thus simplifying the entry task.

The change becomes effective after the printer is turned off and then on again.

Setting the Printer Driver

To print using ColorTrack, set the printer driver. Once set, the settings of the printer driver are enabled until they are changed.

- 1** Open **Properties** of the printer driver.
- 2** Configure the following settings from the **Configuration** tab.

Dell ColorTrack Mode

Specify whether to allow general users to change settings related to authentication or whether general users must use the settings configured by the Administrator.

Specify Group Name

Specify the name of the belonging group to use when authenticating. If you specify a group that does not belong, authentication fails and the data is not printed. Also, the default group is set if **Specify Group Name** is not specified.

Specify Job Owner

Select **Use Login Name** to use the user information logged into your PC, and select **Enter ID** to enter the user name yourself.

Job Owner Name

Specify the user name to use when authenticating with an external server. You can enter this only when selecting **Enter ID** for **Specify Job Owner**.


Password

Specify the user password to use when authenticating with an external server.

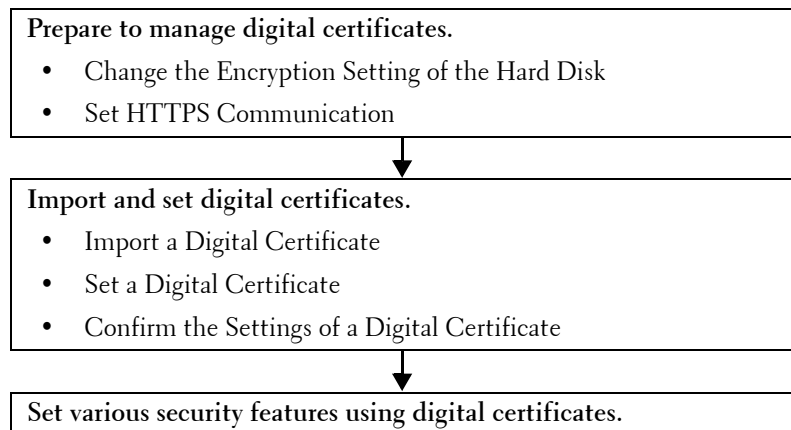
Using Digital Certificates

The authentication feature using digital certificates upgrades security when sending print data or setting data.

This chapter describes how to manage digital certificates.

 **NOTE:** For information about digital certificate error, see "Understanding Printer Messages" and "Digital Certificate Problem."


The following is a typical setup flow for using digital certificates.



Managing Certificates

This section describes how to manage digital certificates as follows.

- "Preparing to Manage Certificates"
- "Importing a Digital Certificate"
- "Setting a Digital Certificate"
- "Confirming the Settings of a Digital Certificate"
- "Deleting a Digital Certificate"
- "Exporting a Digital Certificate"

 **NOTE:** The external certificate management described above is enabled only when the optional hard disk is installed and is set to On for encryption.

Preparing to Manage Certificates


Before managing digital certificates, the following settings must be applied.

- "Changing the Encryption Setting of the Hard Disk"
- "Setting HTTPS Communication"











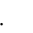
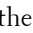
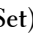

Changing the Encryption Setting of the Hard Disk

Some items are effective only when encryption of the optional hard disk is set to On. Change the encryption setting to On and set a key that is required to encrypt, if necessary.

 **CAUTION:** All files stored on the optional hard disk are cleared when changing the encryption setting.

 **NOTE:** You can enter only characters from 0 to 9, a to z, A to Z, and NULL values for encryption key.

When Using the Operator Panel

- 1 Press the  (Menu) button.
- 2 Press the  button until Admin Settings is highlighted, and then press the  (Set) button.
- 3 Press the  button until Secure Settings is highlighted, and then press the  (Set) button.
- 4 Press the  button until Data Encryption is highlighted, and then press the  (Set) button.
- 5 Press the  button until Encryption is highlighted, and then press the  (Set) button.
- 6 Press the  button until On is highlighted, and then press the  (Set) button.
- 7 Use the number pad to enter the passphrase for the encryption key, and then press the  (Set) button.
- 8 The Encryption (All stored documents will be deleted. Are you sure) screen appears. When you confirm that all stored documents will be deleted to change the encryption setting, press the  (Set) button. When you want to quit changing the encryption setting, press the  (Back) button.

When Using the Dell™ Printer Configuration Web Tool

- 1 Launch Dell Printer Configuration Web Tool.
 - a Open the web browser.
 - b Enter the IP address of your printer in the web browser.
See "Dell™ Printer Configuration Web Tool."
- 2 Select Printer Settings.
- 3 Click the Printer Settings tab.
- 4 Select Secure Settings.
- 5 Check that the Enable check box of Panel Lock Control of Panel Lock is selected.
If Enable is selected, proceed to step 10. If not, perform the following steps.
- 6 Select the Enable check box of Panel Lock Control of Panel Lock.
- 7 Enter a four digit password in New Password.
- 8 Re-enter the password in Re-enter Password.
- 9 Click Apply New Settings.
For details about Panel Lock, see "Panel Lock."
- 10 Click Data Encryption.
The Data Encryption page is displayed.
- 11 Select the Encryption check box.
- 12 Enter a key that is required to encrypt.
- 13 Re-enter the key again to confirm it.
- 14 Click Apply New Settings.

Setting HTTPS Communication

Before managing certificates, set HTTPS communication with a self-signed certificate.




NOTE: Set HTTPS communication after changing the Encryption setting to On.


When Using the Dell Printer Configuration Web Tool


- 1** Launch Dell Printer Configuration Web Tool.
 - a** Open the web browser.
 - b** Enter the IP address of your printer in the web browser.
See "Dell™ Printer Configuration Web Tool."
- 2** Select **Print Server Settings**.
- 3** Click the **Security** tab.
- 4** Select **SSL/TLS**.
- 5** Click **Generate Self-Signed Certificate of Machine Digital Certificate**. The **Generate Self-Signed Certificate** page is displayed.
- 6** Select the size of public key from the list of **Size of Public Key**.
- 7** Specifies the issuer of SSL self-signed certificate.
- 8** Click **Generate Signed Certificate**.
- 9** The **Restart Printer** button is displayed after generating the self-signed certificate, and then click **Restart Printer**.
- 10** Repeat steps 2 to 4 to display the **SSL/TLS** page after restarting the printer.
- 11** If the self-signed certificate is set correctly, since the **HTTP- SSL/TLS Communication** column is set to **Enable** and a check box is displayed, select **Enable**.


Importing a Digital Certificate

 **CAUTION:** Before importing a certificate file, back up the certificate file.


 **NOTE:** To manage digital certificates, you must first set encryption of the optional hard disk to On, and then set up HTTPS communication. For details, see "Preparing to Manage Certificates."

 **NOTE:** Be sure to import the certificate with Internet Explorer.

 **NOTE:** After importing a PKCS#12 format certificate, the secret key is not exported even if you execute exporting.

- 1** Launch Dell Printer Configuration Web Tool.
 - a** Open the web browser.
 - b** Enter the IP address of your printer in the web browser.
See "Dell™ Printer Configuration Web Tool."
- 2** Select **Print Server Settings**.
- 3** Click the **Security** tab.
- 4** Select **SSL/TLS**.
- 5** Click **Upload Signed Certificate of Machine Digital Certificate**.
The **Upload Signed Certificate** page is displayed.
 **NOTE:** The **Upload Signed Certificate** button is displayed only when the optional hard disk is installed and is set to On for encryption.
- 6** Enter a password.
- 7** Re-enter the password again to confirm it.
- 8** Click **Browse of File Name**, and select the file to be imported.
- 9** Click **Import** to import the certificate.

Setting a Digital Certificate

 **NOTE:** To manage digital certificates, you must first set encryption of the optional hard disk to On, and then set up HTTPS communication. For details, see "Preparing to Manage Certificates."

1 Launch **Dell Printer Configuration Web Tool**.


- a** Open the web browser.
- b** Enter the IP address of your printer in the web browser.
See "Dell™ Printer Configuration Web Tool."

2 Select **Print Server Settings**.

3 Click the **Security** tab.

4 Select **SSL/TLS**.


5 Click **Certificate Management** to display the **Certificate Management** page.

 **NOTE:** The **Certificate Management** button is displayed only when the optional hard disk is installed and is set to On for encryption.

6 When setting a Wireless LAN (Server) certificate, select **Trusted Certificate Authorities** within **Category**.
When setting a certificate of SSL Server, SSL Client, IPsec, or Wireless LAN (Client), select **Local Device**.

7 Select the purpose of use from the **Certificate Purpose** list.

8 Click **Display the List** to display the **Certificate List** page.


 **NOTE:** If the list includes more than 20 certificates, click **Next** to display the next page.

9 Select the certificate to associate. At this time, confirm that **Validity** of the certificate selected is set to **Valid**.

10 Click **Certificate Details** to display the **Certificate Details** page.

11 Confirm the content, and click **Use This Certificate** at the upper-right corner.

Confirming the Settings of a Digital Certificate

 **NOTE:** To manage digital certificates, you must first set encryption of the optional hard disk to On, and then set up HTTPS communication. For details, see "Preparing to Manage Certificates."

1 Launch **Dell Printer Configuration Web Tool**.


- a** Open the web browser.
- b** Enter the IP address of your printer in the web browser.
See "Dell™ Printer Configuration Web Tool."

2 Select **Print Server Settings**.

3 Click the **Security** tab.

4 Select **SSL/TLS**.


5 Click **Certificate Management** to display the **Certificate Management** page.

 **NOTE:** The **Certificate Management** button is displayed only when the optional hard disk is installed and is set to On for encryption.

6 Select the category from the **Category** list.


7 Select the purpose of use from the **Certificate Purpose** list.

8 Click **Display the List** to display the **Certificate List** page.


 **NOTE:** If the list includes more than 20 certificates, click **Next** to display the next page.

9 The certificate displayed with an asterisk as **"*Valid"** in the **Validity** column is the certificate associated with the use purpose and actually used.


Deleting a Digital Certificate

 **NOTE:** To manage digital certificates, you must first set encryption of the optional hard disk to On, and then set up HTTPS communication. For details, see "Preparing to Manage Certificates."


- 1 Launch **Dell Printer Configuration Web Tool**.
 - a Open the web browser.
 - b Enter the IP address of your printer in the web browser.
See "Dell™ Printer Configuration Web Tool."
- 2 Select **Print Server Settings**.
- 3 Click the **Security** tab.
- 4 Select **SSL/TLS**.
- 5 Click **Certificate Management** to display the **Certificate Management** page.

 **NOTE:** The **Certificate Management** button is displayed only when the optional hard disk is installed and is set to On for encryption.

- 6 Select the category from the **Category** list.
- 7 Select the purpose of use from the **Certificate Purpose** list.
- 8 Click **Display the List** to display the **Certificate List** page.


 **NOTE:** If the list includes more than 20 certificates, click **Next** to display the next page.


- 9 Select the certificate to be deleted.
- 10 Click **Certificate Details** to display the **Certificate Details** page.
- 11 To delete the selected certificate, click **Delete** at the upper-right corner.

 **NOTE:** When a certificate is deleted, the features associated with the deleted certificate are disabled. To delete a certificate being used, either set the feature to OFF in advance or switch the association to another certificate, and then switch to another operation mode if possible before deleting the certificate.

- For an SSL Server, switch to another certificate such as a self-signed certificate.
- For an SSL Client, set the LDAP-SSL/TLS and IEEE 802.1x (EAP-TLS) setting to OFF.
- For IPsec, change the IKE setting to Pre-Shared Key or set the feature to OFF.
- For Wireless LAN, change the Wireless Security setting to other than WPA-Enterprise before deleting the certificate.


Exporting a Digital Certificate

 **NOTE:** To manage digital certificates, you must first set encryption of the optional hard disk to On, and then set up HTTPS communication. For details, see "Preparing to Manage Certificates."

 **NOTE:** Since the secret key is not exported, an imported PKCS#12 format certificate can be exported only as a PKCS#7 certificate.

- 1 Launch **Dell Printer Configuration Web Tool**.
 - a Open the web browser.
 - b Enter the IP address of your printer in the web browser.
See "Dell™ Printer Configuration Web Tool."
- 2 Select **Print Server Settings**.
- 3 Click the **Security** tab.
- 4 Select **SSL/TLS**.


5 Click **Certificate Management** to display the **Certificate Management** page.

 **NOTE:** The **Certificate Management** button is displayed only when the optional hard disk is installed and is set to On for encryption.

6 Select the category from the **Category** list.

7 Select the purpose of use from the **Certificate Purpose** list.

Click **Display the List** to display the **Certificate List** page.

 **NOTE:** If the list includes more than 20 certificates, click **Next** to display the next page.

8 Select the certificate to be exported.

9 Click **Certificate Details** to display the **Certificate Details** page.

10 To export the selected certificate, click **Export This Certificate**.


Setting the Features

You can set various security features using digital certificates.

See the following for details:

- "Setting the Certificate in the IPsec Digital Signature Mode"
- "Setting the SSL-use Server Certificate (HTTP/IPP)"
- "Setting LDAP-SSL/TLS Communication"
- "Setting Server Certificate Verification for LDAP-SSL/TLS Communication"
- "Setting Client Certificate for LDAP-SSL/TLS Communication"
- "Setting for Wireless LAN WPA-Enterprise (EAP-TLS)"
- "Setting for Wireless LAN WPA-Enterprise (PEAPV0-MS-CHAPV2, EAP-TTLS PAP, EAP-TTLS CHAP)"
- "Setting Client Certificate for IEEE 802.1x (EAP-TLS)"

Setting the Certificate in the IPsec Digital Signature Mode

 **NOTE:** To manage digital certificates, you must first set encryption of the optional hard disk to On, and then set up HTTPS communication. For details, see "Preparing to Manage Certificates."

1 Import the certificate to be used with IPsec. For more information, see "Importing a Digital Certificate."

2 Set the certificate to be used with IPsec. For more information, see "Setting a Digital Certificate."

3 Confirm whether the certificate is set correctly in IPsec. For more information, see "Confirming the Settings of a Digital Certificate."

4 Select **Print Server Settings** from the left side of the page.

5 Click the **Security** tab.

6 Select **IPsec**.

7 Select the **Enable** check box for **Protocol**.


8 Select **Digital Signature** from the **IKE** list.

9 Set each item, as necessary.

10 Click **Apply New Settings**.

11 After restarting the printer, IPsec communication using digital signatures is enabled. You can execute IPsec communication (Digital Signature Mode) between the printer and the network device (such as PC) on which the certificate and IPsec are set identically as on this device.

Setting the SSL-use Server Certificate (HTTP/IPP)

 **NOTE:** To manage digital certificates, you must first set encryption of the optional hard disk to On, and then set up HTTPS communication. For details, see "Preparing to Manage Certificates."

- 1 Import the certificate to be used with the SSL-use server. For more information, see "Importing a Digital Certificate."
- 2 Set the certificate to be used with the SSL-use server. For more information, see "Setting a Digital Certificate."
- 3 Confirm whether the certificate is set correctly. For more information, see "Confirming the Settings of a Digital Certificate."


 **NOTE:** Confirm whether the newly set certificate, not the self-signed certificate, is associated.

- 4 After restarting the printer, the certificate set as described above is used as the server certificate when executing communication with HTTP/IPP-SSL/TLS.


Setting LDAP-SSL/TLS Communication

 **NOTE:** This setting is available only when the optional hard disk is installed and is set to On for encryption.

- 1 Select **Print Server Settings** from the left side of the page.
- 2 Click the **Security** tab.
- 3 Select **SSL/TLS**.
- 4 Select the **Enable** check box for **LDAP-SSL/TLS Communication**.
- 5 Click **Apply New Settings**.
- 6 After restarting the printer, **LDAP-SSL/TLS Communication** is enabled.


 **NOTE:** When executing the certificate validity of the server and the presentation of the client certificate, see "Setting Server Certificate Verification for LDAP-SSL/TLS Communication" and "Setting Client Certificate for LDAP-SSL/TLS Communication."

Setting Server Certificate Verification for LDAP-SSL/TLS Communication


 **NOTE:** This setting is available only when the optional hard disk is installed and is set to On for encryption.

 **NOTE:** This feature is enabled only when **Enable** is set for **LDAP-SSL/TLS Communication**.


- 1 Import the root certificate (including intermediate certificate) for the LDAP server certificate. For more information, see "Importing a Digital Certificate."

 **NOTE:** In the verification of a certificate of the connected server, to automatically search for an imported certificate and verify the path, the certificate does not need to be associated.

- 2 Confirm whether the root certificate is correctly imported to the LDAP server. For more information, see "Confirming the Settings of a Digital Certificate."
- 3 Select **Print Server Settings**.
- 4 Click the **Security** tab.
- 5 Select **SSL/TLS**.
- 6 Select the **Enable** check box for **Verify Remote Server Certificate**.
- 7 Click **Apply New Settings**.
- 8 After restarting the printer, the certificate presented by the LDAP server is verified when LDAP-SSL/TLS communication starts with the LDAP server.

 **NOTE:** When the result of verification is NG, communication is not established and an error results.


Setting Client Certificate for LDAP-SSL/TLS Communication


 **NOTE:** To manage digital certificates, you must first set encryption of the optional hard disk to On, and then set up HTTPS communication. For details, see "Preparing to Manage Certificates."


 **NOTE:** This feature is enabled only when **Enable** is set for **LDAP-SSL/TLS Communication**.


- 1 Import a certificate to be used with SSL Client. For more information, see "Importing a Digital Certificate."
- 2 Set a certificate to be used with SSL Client. For more information, see "Setting a Digital Certificate."
- 3 Confirm whether the certificate is set correctly. For more information, see "Confirming the Settings of a Digital Certificate."
- 4 After restarting the printer, the LDAP client certificate is presented when LDAP-SSL/TLS communication with the LDAP server starts. When the LDAP server is set to require a client certificate, the client certificate provided by the printer is verified by the LDAP server.

Setting for Wireless LAN WPA-Enterprise (EAP-TLS)



 **NOTE:** To manage digital certificates, you must first set encryption of the optional hard disk to On, and then set up HTTPS communication. For details, see "Preparing to Manage Certificates."

 **NOTE:** WPA-Enterprise is available only when infrastructure is selected as the network type.





 **NOTE:** Be sure to import the certificate with Internet Explorer.



 **NOTE:** After importing a PKCS#12 format certificate, the secret key is not exported even if you execute exporting.

- 1 Import the certificate to be used with Wireless LAN (server or root certificate). For details, see "Importing a Digital Certificate."
- 2 Set the digital certificate for wireless LAN (server or root certificate).
 - a Launch Dell Printer Configuration Web Tool.
 - b Select **Print Server Settings**.
 - c Click the **Security** tab.
 - d Select **SSL/TLS**.
 - e Click **Certificate Management** to display the **Certificate Management** page.
 - f Select **Trusted Certificate Authorities** within **Category**.
 - g Select the **Wireless LAN (Server)** of use from the **Certificate Purpose** list.
 - h From **Certificate Order**, select how the certificates are sorted in **Certificate List**. This setting is not necessary if you do not need to specify the order for the certificates.
 - i Click **Display the List** to display the **Certificate List** page.
 - j Select the certificate to associate. At this time, confirm that **Validity** of the certificate selected is set to **Valid**.
 - k Click **Certificate Details** to display the **Certificate Details** page.
 - l Confirm the content, and click **Use This Certificate** at the upper-right corner.
- 3 Confirm whether the certificate is set correctly. For details, see "Confirming the Settings of a Digital Certificate."
- 4 Import the certificate to be used with Wireless LAN (client or client certificate). For details, see "Importing a Digital Certificate."
- 5 Set the digital certificate for wireless LAN (client or client certificate).
 - a Launch Dell Printer Configuration Web Tool.
 - b Select **Print Server Settings**.
 - c Click the **Security** tab.


- d Select **SSL/TLS**.
 - e Click **Certificate Management** to display the **Certificate Management** page.
 - f Select **Local Device** within **Category**.
 - g Select the **Wireless LAN (Server)** of use from the **Certificate Purpose** list.
 - h From **Certificate Order**, select how the certificates are sorted in **Certificate List**. This setting is not necessary if you do not need to specify the order for the certificates.
 - i Select the certificate to associate. At this time, confirm that **Validity** of the certificate selected is set to **Valid**.
 - j Click **Certificate Details** to display the **Certificate Details** page.
 - k Confirm the content, and click **Use This Certificate** at the upper-right corner.
- 6** Confirm whether the certificate is set correctly. For details, see "Confirming the Settings of a Digital Certificate."
- 7** Set **WPA-Enterprise** for **EAP-TLS**.
- a Launch **Dell Printer Configuration Web Tool**.
 - b Click the **Print Server Settings** tab.
 - c Select **Wireless LAN**.
 -  **NOTE:** This setting is available only when the optional wireless adapter is installed.
 - d Select either of the following from the **Encryption** list of **Secure Settings**.
 - **WPA-Enterprise-AES/WPA2-Enterprise-AES**
 - **WPA-Enterprise-TKIP**
 -  **NOTE:** **WPA-Enterprise-AES/WPA2-Enterprise-AES** or **WPA-Enterprise-TKIP** becomes available only when the following steps are set correctly.
 - **Importing a Digital Certificate**
 - **Setting a Digital Certificate**
 - **Confirming the Settings of a Digital Certificate**
 - e Set **EAP-Identity** of **WPA-Enterprise**.
 - f Select **EAP-TLS** from the **Authentication Method** list of **WPA-Enterprise**.
 - g Click **Apply New Settings**.


Setting for Wireless LAN WPA-Enterprise (PEAPV0-MS-CHAPV2, EAP-TTLS PAP, EAP-TTLS CHAP)

-  **NOTE:** To manage digital certificates, you must first set encryption of the optional hard disk to **On**, and then set up **HTTPS** communication. For details, see "Preparing to Manage Certificates."
 -  **NOTE:** **WPA-Enterprise** is available only when **infrastructure** is selected as the network type.
 -  **NOTE:** Be sure to import the certificate with **Internet Explorer**.
 -  **NOTE:** After importing a **PKCS#12** format certificate, the secret key is not exported even if you execute exporting.
- 1** Import the certificate to be used with **Wireless LAN** (server or root certificate). For details, see "Importing a Digital Certificate."
 - 2** Set the digital certificate for **wireless LAN** (server or root certificate).
 - a Launch **Dell Printer Configuration Web Tool**.
 - b Select **Print Server Settings**.
 - c Click the **Security** tab.
 - d Select **SSL/TLS**.
 - e Click **Certificate Management** to display the **Certificate Management** page.

- f Select **Trusted Certificate Authorities** within **Category**.
 - g Select the purpose of use from the **Certificate Purpose** list.
 - h Click **Display the List** to display the **Certificate List** page.
 - i Select the certificate to associate. At this time, confirm that **Validity** of the certificate selected is set to **Valid**.
 - j Click **Certificate Details** to display the **Certificate Details** page.
 - k Confirm the content, and click **Use This Certificate** at the upper-right corner.
- 3** Confirm whether the certificate is set correctly.
- a Launch **Dell Printer Configuration Web Tool**.
 - b Select **Print Server Settings**.
 - c Click the **Security** tab.
 - d Select **SSL/TLS**.
 - e Click **Certificate Management** to display the **Certificate Management** page.
 - f Select the category from the **Category** list.
 - g Select the **Wireless LAN (Server)** of use from the **Certificate Purpose** list.
 - h From **Certificate Order**, select how the certificates are sorted in **Certificate List**. This setting is not necessary if you do not need to specify the order for the certificates.
 - i Click **Display the List** to display the **Certificate List** page.
 - j The certificate displayed with an asterisk as **"*Valid"** in the **Validity** column is the certificate associated with the use purpose and actually used.
- 4** Set **WPA-Enterprise** for **PEAPV0-MS-CHAPV2**, **EAP-TTLS PAP**, or **EAP-TTLS CHAP**.
- a Launch **Dell Printer Configuration Web Tool**.
 - b Click the **Print Server Settings** tab.
 - c Select **Wireless LAN**.
 -  **NOTE:** This setting is available only when the optional wireless adapter is installed.
 - d Select either of the following from the **Encryption** list of **Secure Settings**.
 - **WPA-Enterprise-AES/WPA2-Enterprise-AES**
 - **WPA-Enterprise-TKIP**
 -  **NOTE:** **WPA-Enterprise-AES/WPA2-Enterprise-AES** or **WPA-Enterprise-TKIP** becomes available only when the following steps are set correctly.
 - **Importing a Digital Certificate**
 - **Setting a Digital Certificate**
 - **Confirming the Settings of a Digital Certificate**
 - e Set **EAP-Identity**, **Login Name**, and **Password** of **WPA-Enterprise**.
 - f Select either of the following from the **Authentication Method** list of **WPA-Enterprise**:
 - **PEAPV0 MS-CHAPV2**
 - **EAP-TTLS PAP**
 - **EAP-TTLS CHAP**
 - g Click **Apply New Settings**.

Setting Client Certificate for IEEE 802.1x (EAP-TLS)

 **NOTE:** To manage digital certificates, you must first set encryption of the optional hard disk to On, and then set up HTTPS communication. For details, see "Preparing to Manage Certificates."

 **NOTE:** This feature is enabled only when Enable is set for IEEE 802.1x (EAP-TLS).

- 1 Import a certificate to be used with SSL Client. For more information, see "Importing a Digital Certificate."
- 2 Set a certificate to be used with SSL Client. For more information, see "Setting a Digital Certificate."
- 3 Confirm whether the certificate is set correctly. For more information, see "Confirming the Settings of a Digital Certificate."
- 4 After restarting the printer, the IEEE 802.1x (EAP-TLS) certificate is presented when IEEE 802.1x communication with the RADIUS server starts. When the RADIUS server is set to require a client certificate, the client certificate provided by the printer is verified by the RADIUS server.

Understanding Fonts

Typefaces and Fonts

A font is a set of characters and symbols created with a distinct design. The distinct design is called a *typeface*. The typefaces you select add personality to a document. Well-chosen typefaces make a document easier to read.

The printer has numerous resident fonts in PCL 5/PCL 6 and PostScript 3. See "Resident Fonts" for a listing of all resident fonts.

Weight and Style

Typefaces are often available in different weights and styles. These variations modify the original typeface so you can, for example, emphasize important words in text or highlight book titles. The different weights and styles are designed to complement the original typeface.

Weight refers to the thickness of the lines that form the characters. Thicker lines result in darker characters. Some words commonly used to describe the weight of a typeface are bold, medium, light, black, and heavy.

Style refers to other typeface modifications, such as tilt or character width. Italic and oblique are styles where the characters are tilted. Narrow, condensed, and extended are three common styles that modify the character widths.

Some fonts combine several weight and style modifications; for example, Helvetica BdOb. A group of several weight and style variations of a single typeface is called a *typeface family*. Most typeface families have four variations: regular, italic (oblique), bold, and bold italic (bold oblique). Some families have more variations, as the following illustration for the Helvetica typeface family shows:

Helvetica	ABCDEFGHIJKLMNOPQRSTUVWXYZabcdefghijklmnopqrstuvwxyz1234567890
Helvetica Oblique	ABCDEFGHIJKLMNOPQRSTUVWXYZabcdefghijklmnopqrstuvwxyz1234567890
Helvetica Bold	ABCDEFGHIJKLMNOPQRSTUVWXYZabcdefghijklmnopqrstuvwxyz1234567890
Helvetica Bold Oblique	ABCDEFGHIJKLMNOPQRSTUVWXYZabcdefghijklmnopqrstuvwxyz1234567890
Helvetica Narrow	ABCDEFGHIJKLMNOPQRSTUVWXYZabcdefghijklmnopqrstuvwxyz1234567890
Helvetica Narrow Oblique	ABCDEFGHIJKLMNOPQRSTUVWXYZabcdefghijklmnopqrstuvwxyz1234567890
Helvetica Narrow Bold	ABCDEFGHIJKLMNOPQRSTUVWXYZabcdefghijklmnopqrstuvwxyz1234567890
Helvetica Narrow Bold Oblique	ABCDEFGHIJKLMNOPQRSTUVWXYZabcdefghijklmnopqrstuvwxyz1234567890

Pitch and Point Size

The size of a font is specified as either a pitch or point size, depending on whether the font is fixed space or proportional.

In *fixed space* fonts, each character has the same width. *Pitch* is used to specify the size of fixed space fonts. It is a measure of the number of characters that will print in one horizontal inch of type. For example, all 10-pitch fonts print 10 characters per inch (cpi) and all 12-pitch fonts print 12 cpi:

Courier	10 Pitch	1234567890
Courier-Bold	10 Pitch	1234567890
Courier	12 Pitch	123456789012
Courier-Bold	12 Pitch	123456789012

In *proportional* (or *typographic*) fonts, every character can have a different width. Since proportional fonts have characters with different widths, the font size is specified in point size, not pitch. *Point size* refers to the height of the characters in the font. A *point* is defined as 1/72 inch. The characters in a font printed at 24 point will be twice as large as the characters in the same font printed at 12 point.

The following illustration shows samples of a font printed in different point sizes:

48 point 36 point

24 point 18 point 12 point 10 point

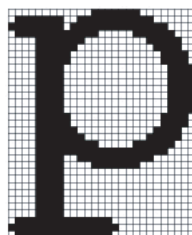
The point size of a font is defined as the distance from the top of the tallest character in the font to the bottom of the lowest character in the font. Due to the definition of point size, different fonts printed at the same point size may appear quite different in size. This is because there are other font parameters that affect how the font looks. However, the point size of a font is an excellent specification of the relative size of a font. The following examples illustrate two very different proportional fonts at 14 point:

ITC Avant Garde
abcdefghijklmnopABCDEF GH
ITC Zapf Chancery
abcdefghijklmnopABCDEF GH

Bitmapped and Scalable Fonts

The printer uses both bitmapped and scalable fonts.

Bitmapped fonts are stored in print memory as predefined patterns of bits that represent a typeface at a specific size, style, and resolution. The following illustration shows an example of a character from a bitmapped font.



Bitmapped fonts are available in different type styles and point sizes as downloadable fonts.

Scalable fonts (also called *outline* fonts) are stored as computer programs that define the outlines of the characters in the font. Each time you print characters from a scalable font, the printer creates a bitmap of the characters at the point size you choose and saves it temporarily in print memory.

P

P P P P

These temporary bitmapped fonts are deleted when you turn off or reset the printer. Scalable fonts provide the flexibility of printing in many different point sizes.

Your printer uses different scalable font formats for downloading fonts to the printer. PCL 5/PCL 6 uses Intellifont and TrueType scalable fonts. PostScript 3 uses Type 1 and TrueType scalable fonts. There are thousands of different scalable fonts available in these different font formats from numerous font suppliers.

If you plan to use many downloadable bitmapped or scalable fonts or if you plan to use many different sizes of scalable fonts, you may need to purchase additional memory for your printer.

Resident Fonts

Your printer is equipped with resident fonts stored permanently in print memory. Different fonts are available in PCL 5/PCL 6 and PostScript 3. Some of the most popular typefaces, like Courier and TimesNew (PCL 5/PCL 6)/Times New Roman (PostScript 3), are available for all printer languages.

The following table lists all the fonts resident in your printer. See "Report / List" for instructions on how to print samples of the fonts. You can select the resident fonts from your software program. You can also select the fonts from the operator panel if you are using PCL 5/PCL 6.

Resident bitmapped and scalable fonts	
PCL 5/PCL 6	PostScript 3
CG Times	Albertus
CG Times It	Albertus Italic
CG Times Bd	Albertus Light
CG Times BdIt	
	Antique Olive Roman
Univers Md	Antique Olive Italic
Univers MdIt	Antique Olive Bold
Univers Bd	Antique Olive Compact
Univers BdIt	Apple Chancery
Univers MdCd	Arial
Univers MdCdIt	Arial Italic
Univers BdCd	Arial Bold
Univers BdCdIt	Arial Bold Italic
	ITC Avant Garde Gothic Book
AntiqueOlv	ITC Avant Garde Gothic Book Oblique
AntiqueOlv It	ITC Avant Garde Gothic Demi
AntiqueOlv Bd	ITC AvantGarde Gothic Demi Oblique
	Bodoni Roman

Resident bitmapped and scalable fonts	
PCL 5/PCL 6	PostScript 3
CG Omega	Bodoni Italic
CG Omega It	Bodoni Bold
CG Omega Bd	Bodoni Bold Italic
CG Omega BdIt	Bodoni Poster
	Bodoni Poster Compressed
Garamond Antiqua	ITC Bookman Light
Garamond Krsv	ITC Bookman Light Italic
Garamond Hlb	ITC Bookman Demi
Garamond KrsvHlb	ITC Bookman Demi Italic
	Carta
Courier	Chicago
Courier It	Clarendon Roman
Courier Bd	Clarendon Bold
Courier BdIt	Clarendon Light
	Cooper Black
LetterGothic	Cooper Black Italic
LetterGothic It	Cooper Gothic 32BC
LetterGothic Bd	Cooper Gothic 33BC
	Coronet
Albertus Md	Courier
Albertus XBd	Courier Oblique
	Courier Bold
Clarendon Cd	Courier Bold Oblique
	Eurostile Medium
Coronet	Eurostile Bold
	Eurostile Extended No. 2
Marigold	Eurostile Bold Extended No. 2
	Geneva
Arial	Gill Sans
Arial It	Gill Sans Italic
Arial Bd	Gill Sans Bold
Arial BdIt	Gill Sans Bold Italic
	Gill Sans Light
TimesNew	Gill Sans Light Italic
TimesNew It	Gill Sans Extra Bold
TimesNew Bd	Gill Sans Condensed
TimesNew BdIt	Gill Sans Condensed Bold
	Goudy Oldstyle
Symbol	Goudy Oldstyle Italic
	Goudy Bold

Resident bitmapped and scalable fonts	
PCL 5/PCL 6	PostScript 3
Wingdings	Goudy Bold Italic
	Goudy Extra Bold
Line Printer	Helvetica
	Helvetica Oblique
Times Roman	Helvetica Bold
Times It	Helvetica Bold Oblique
Times Bd	Helvetica Narrow
Times BdIt	Helvetica Narrow Oblique
	Helvetica Narrow Bold
Helvetica	Helvetica Narrow Bold Oblique
Helvetica Ob	Helvetica Condensed
Helvetica Bd	Helvetica Condensed Oblique
Helvetica BdOb	Helvetica Condensed Bold
	Helvetica Condensed Bold Oblique
CourierPS	Hoefler Text
CourierPS Ob	Hoefler Text Italic
CourierPS Bd	Hoefler Text Black
CourierPS BdOb	Hoefler Text Black Italic
	Hoefler Ornaments
SymbolPS	Joanna
	Joanna Italic
Palatino Roman	Joanna Bold
Palatino It	Joanna Bold Italic
Palatino Bd	Letter Gothic
Palatino BdIt	Letter Gothic Slanted
	Letter Gothic Bold
ITCBookman Lt	Letter Gothic Bold Slanted
ITCBookman LtIt	ITC Lubalin Graph Book
ITCBookmanDm	ITC Lubalin Graph Book Oblique
ITCBookmanDm It	ITC Lubalin Graph Demi
	ITC Lubalin Graph Demi Oblique
HelveticaNr	Marigold
HelveticaNr Ob	Monaco
HelveticaNr Bd	ITC Mona Lisa Recut
HelveticaNr BdOb	New Century Schoolbook Roman
	New Century Schoolbook Italic
N C Schbk Roman	New Century Schoolbook Bold
N C Schbk It	New Century Schoolbook Bold Italic
N C Schbk Bd	NewYork
N C Schbk BdIt	Optima Roman

Resident bitmapped and scalable fonts	
PCL 5/PCL 6	PostScript 3
	Optima Italic
ITC A G Go Bk	Optima Bold
ITC A G Go BkOb	Optima Bold Italic
ITC A G Go Dm	Oxford
ITC A G Go DmOb	Palatino Roman
	Palatino Italic
ZapfC MdlT	Palatino Bold
	Palatino Bold Italic
ZapfDingbats	Stempel Garamond Roman
	Stempel Garamond Italic
	Stempel Garamond Bold
	Stempel Garamond Bold Italic
	Symbol
	Tekton Regular
	Times Roman
	Times Italic
	Times Bold
	Times Bold Italic
	Times New Roman
	Times New Roman Italic
	Times New Roman Bold
	Times New Roman Bold Italic
	Univers 45 Light
	Univers 45 Light Oblique
	Univers 55
	Univers 55 Oblique
	Univers 65 Bold
	Univers 65 Bold Oblique
	Univers 57 Condensed
	Univers 57 Condensed Oblique
	Univers 67 Condensed Bold
	Univers 67 Condensed Bold Oblique
	Univers 53 Extended
	Univers 53 Extended Oblique
	Univers 63 Extended Bold
	Univers 63 Extended Bold Oblique
	Wingdings
	ITC Zapf Chancery Medium Italic
	ITC Zapf Dingbats

Symbol Sets

A symbol set is the collection of alphabetic and numeric characters, punctuation, and special characters available in the font you select. Symbol sets support the requirements for different languages or specific applications, such as math symbols used for scientific text.

In PCL 5/PCL 6, a symbol set also defines which character will print for each key on the keyboard (or more specifically, for each *code point*). Some applications require different characters at some code points. To support multiple applications and languages, your printer has 36 symbol sets for the resident PCL 5/PCL 6 fonts.

Symbol Sets for PCL 5/PCL 6


Not all font names support all of the symbol sets listed.


Roman 8 (Default)	ISO 8859-1 Latin 1	ISO 8859-2 Latin 2
ISO 8859-9 Latin 5	ISO 8859-10 Latin 6	PC-8
PC-8 DN	PC-775 Baltic	PC-850 Multilingual
PC-852 Latin 2	PC-1004 OS/2	PC Turkish
Windows 3.1 Latin 1	Windows 3.1 Latin 2	Windows 3.1 Latin 5
DeskTop	PS Text	MC Text
Microsoft Publishing	Math 8	PS Math
Pi Font	Legal	ISO 4 United Kingdom
ISO 6 ASCII	ISO 11 Swedish:names	ISO 15 Italian
ISO 17 Spanish	ISO 21 German	ISO 60 Norwegian v1
ISO 69 French	Windows 3.0 Latin 1	Windows Baltic
Symbol	Wingdings	ITC ZapfDingbats MS

Understanding Printer Messages

The LCD panel displays error messages describing the current state of the printer and indicates possible printer problems you must resolve. This chapter provides a list of error codes and informs you what you can do to clear error messages. When you contact customer support about an error, have the error codes and messages ready.

 **CAUTION:** When an error occurs, the print data remaining on the printer and the information accumulated in the memory of the printer may be corrupted.

 **NOTE:** An error code is listed in an error message.

 **NOTE:** For error codes that are not listed in this chapter, refer to instructions in each error messages.

Error Codes

Error-Code	What you can do
004-310	Turn off the printer. Make sure that the tray is correctly installed, and turn on the printer. Contact customer support if this failure is repeated.
009-340	Turn off the printer. Clean the CTD sensor with a clean dry cotton swab, and turn on the printer. Contact customer support if this failure is repeated. For more information about cleaning the CTD sensor, see "Cleaning the CTD Sensor."
009-360	Turn off the printer. Make sure that the yellow toner cartridge is correctly installed, and turn on the printer. Contact customer support if this failure is repeated. For more information about installing the toner cartridge, see "Replacing the Toner Cartridges."
009-361	Turn off the printer. Make sure that the magenta toner cartridge is correctly installed, and turn on the printer. Contact customer support if this failure is repeated. For more information about installing the toner cartridge, see "Replacing the Toner Cartridges."
009-362	Turn off the printer. Make sure that the cyan toner cartridge is correctly installed, and turn on the printer. Contact customer support if this failure is repeated. For more information about installing the toner cartridge, see "Replacing the Toner Cartridges."
009-363	Turn off the printer. Make sure that the black toner cartridge is correctly installed, and turn on the printer. Contact customer support if this failure is repeated. For more information about installing the toner cartridge, see "Replacing the Toner Cartridges."
009-367	Turn off the printer. Make sure that the yellow toner cartridge is correctly installed, and turn on the printer. Contact customer support if this failure is repeated. For more information about installing the toner cartridge, see "Replacing the Toner Cartridges."
009-368	Turn off the printer. Make sure that the magenta toner cartridge is correctly installed, and turn on the printer. Contact customer support if this failure is repeated. For more information about installing the toner cartridge, see "Replacing the Toner Cartridges."
009-369	Turn off the printer. Make sure that the cyan toner cartridge is correctly installed, and turn on the printer. Contact customer support if this failure is repeated. For more information about installing the toner cartridge, see "Replacing the Toner Cartridges."
009-370	Turn off the printer. Make sure that the black toner cartridge is correctly installed, and turn on the printer. Contact customer support if this failure is repeated. For more information about installing the toner cartridge, see "Replacing the Toner Cartridges."
010-317	Turn off the printer, wait for 30 minutes to let the fusing unit cool, and then make sure that the fusing unit is fully installed. For more information about installing the fusing unit, see "Replacing the Fusing Unit."
010-351	Turn off the printer. Remove the used fusing unit, and install a new fusing unit. For more information about replacing the fusing unit, see "Replacing the Fusing Unit."

Error-Code	What you can do
010-377	Turn off the printer. Confirm that the fusing unit is correctly installed, and turn on the printer. Contact customer support if this failure is repeated. For more information about installing the fusing unit, see "Replacing the Fusing Unit."
016-316	Turn off the printer. Remove the optional 512MB memory module from the slot, and then reattach it firmly. Turn on the printer. Contact customer support if this failure is repeated.
016-318	Remove the unsupported memory module. Contact customer support if this failure is repeated.
016-338	Turn off the printer, and turn it on again. If the error message remains on the LCD panel, confirm that the wireless adapter is securely inserted. Contact customer support if this failure is repeated.
016-404	Contact your system administrator. For more information about digital certificate problems, see "Digital Certificate Problem."
016-405	Security setting mismatch. Initialize the security setting, and then restart the printer. Contact your system administrator for the security resetting.
016-520	IPsec certificate error. (Certificate error of the printer.) The certificate of the printer is invalid. Contact your system administrator. Reset the certificate from other connectable clients with Dell™ Printer Configuration Web Tool . If no device can be connected, disconnect Ethernet cable, turn off the IPsec, and then reset the certificate with Dell Printer Configuration Web Tool .
016-521	IPsec certificate error. (Remote device certification verification error.) The certificate of the destination client is invalid. Contact your system administrator. Confirm the certificate of the destination client and reset.
016-522	LDAP certificate error. (No client certificate exists.) The SSL client certificate is requested by the LDAP server. Set the SSL client certificate to the device. Contact your system administrator.
016-523	LDAP certificate error. (Server certificate verification error.) The SSL certificate of the LDAP server is not trusted by the device. Register the root certificate of the SSL certificate of the LDAP server with the device.
016-524	LDAP certificate error. (No server certificate exists.) Change the SSL certificate of the LDAP server to a valid SSL certificate.
016-527	LDAP certificate error. (SSL authentication internal error.) The error has occurred inside the program. Contact your system administrator.
016-534	The LDAP server information setting for ColorTrack PRO is invalid. Check the LDAP server setting of the printer.
016-541	A wireless certificate (server or client) cannot be correctly referenced while using Wireless LAN WPA-Enterprise or WPA2-Enterprise. Ask your system administrator to connect the printer with a wired network, initialize the wireless settings, import the wireless certificate, and set WPA-Enterprise or WPA2-Enterprise again.
016-542	A server certificate error has occurred when acquiring the certificate with the operation of WPA-Enterprise or WPA2-Enterprise. This is a problem in the server certificate, such as the validity period has expired for the server certificate being used with the Radius server. Ask your system administrator to confirm the server certificate being used with the Radius server.
016-543	A wireless certificate (server or client) corruption error has occurred while using the Wireless LAN WPA-Enterprise or WPA2-Enterprise. Ask your system administrator to connect the printer with a wired network, initialize the wireless settings, import the wireless certificate, and set WPA-Enterprise or WPA2-Enterprise again.
016-720	Error relating to PDL emulation problems has occurred. Change the Print Mode setting in the Graphics tab of the printer driver. Contact customer support if this failure is repeated.
016-756	Printing in the prohibited time. Contact your system administrator.
016-757	The account is not registered. Contact your system administrator.
016-758	The function cannot be used. Contact your system administrator.
016-759	Printable page limit is exceeded. Contact your system administrator.

Error-Code	What you can do
016-799	Press the ✓ (Set) button to clear the message and cancel the current print job. Confirm the configuration of the printer on the printer driver.
016-930	The device is not supported. Remove it from the front USB port.
016-931	The USB hub is not supported. Remove it from the front USB port.
024-920	Remove the paper from the output tray.
024-927	Remove the empty toner cartridge, and install a new cartridge. For more information about replacing the toner cartridge, see "Replacing the Toner Cartridges."
024-965	Confirm that the size and type specified in the tray settings matches the size and type of paper loaded in the tray.
024-966	
024-969	
027-446	Change the IPv6 address to avoid duplication. Turn off the printer, and turn it on again.
027-452	Change the IPv4 address to avoid duplication. Turn off the printer, and turn it on again.
042-700	Wait for a while until the printer cools down. Contact customer support if this failure is repeated.
075-910	Make sure that the multipurpose feeder (MPF) is fully installed.
077-300	Close the front cover.
077-301	Close the right side cover.
077-302	Close the rear cover.
091-911	Remove the used waste toner box, and install a new toner box. For more information about replacing the waste toner box, see "Replacing the Waste Toner Box."
091-914	Reinsert the black drum cartridge. If the message remains, replace the cartridge. For more information about reinserting the drum cartridge, see "Replacing the Drum Cartridges."
091-917	Reinsert the yellow drum cartridge. If the message remains, replace the cartridge. For more information about reinserting the drum cartridge, see "Replacing the Drum Cartridges."
091-918	Reinsert the magenta drum cartridge. If the message remains, replace the cartridge. For more information about reinserting the drum cartridge, see "Replacing the Drum Cartridges."
091-919	Reinsert the cyan drum cartridge. If the message remains, replace the cartridge. For more information about reinserting the drum cartridge, see "Replacing the Drum Cartridges."
091-921	Make sure that the black drum cartridge is fully installed. For more information about installing the drum cartridge, see "Replacing the Drum Cartridges."
091-922	Make sure that the yellow drum cartridge is fully installed. For more information about installing the drum cartridge, see "Replacing the Drum Cartridges."
091-923	Make sure that the magenta drum cartridge is fully installed. For more information about installing the drum cartridge, see "Replacing the Drum Cartridges."
091-924	Make sure that the cyan drum cartridge is fully installed. For more information about installing the drum cartridge, see "Replacing the Drum Cartridges."
091-931	Remove the used black drum cartridge, and install a new cartridge. For more information about replacing the drum cartridge, see "Replacing the Drum Cartridges."
091-932	Remove the used yellow drum cartridge, and install a new cartridge. For more information about replacing the drum cartridge, see "Replacing the Drum Cartridges."
091-933	Remove the used magenta drum cartridge, and install a new cartridge. For more information about replacing the drum cartridge, see "Replacing the Drum Cartridges."
091-934	Remove the used cyan drum cartridge, and install a new cartridge. For more information about replacing the drum cartridge, see "Replacing the Drum Cartridges."
091-942	Reinsert the black drum cartridge. If the message remains, replace the cartridge. For more information about replacing the drum cartridge, see "Replacing the Drum Cartridges."

Error-Code	What you can do
091-943	Reinsert the yellow drum cartridge. If the message remains, replace the cartridge. For more information about replacing the drum cartridge, see "Replacing the Drum Cartridges."
091-944	Reinsert the magenta drum cartridge. If the message remains, replace the cartridge. For more information about replacing the drum cartridge, see "Replacing the Drum Cartridges."
091-945	Reinsert the cyan drum cartridge. If the message remains, replace the cartridge. For more information about replacing the drum cartridge, see "Replacing the Drum Cartridges."
091-960	Remove the unsupported yellow drum cartridge, and install a supported drum cartridge. For more information about installing the drum cartridge, see "Replacing the Drum Cartridges."
091-961	Remove the unsupported magenta drum cartridge, and install a supported drum cartridge. For more information about installing the drum cartridge, see "Replacing the Drum Cartridges."
091-962	Remove the unsupported cyan drum cartridge, and install a supported drum cartridge. For more information about installing the drum cartridge, see "Replacing the Drum Cartridges."
091-963	Remove the unsupported black drum cartridge, and install a supported drum cartridge. For more information about installing the drum cartridge, see "Replacing the Drum Cartridges."
092-651	Clean the CTD sensor with a clean dry cotton swab. For more information about cleaning the CTD sensor, see "Cleaning the CTD Sensor."
093-930	Remove the used yellow toner cartridge, and install a new cartridge. For more information about replacing the toner cartridge, see "Replacing the Toner Cartridges."
093-931	Remove the used magenta toner cartridge, and install a new cartridge. For more information about replacing the toner cartridge, see "Replacing the Toner Cartridges."
093-932	Remove the used cyan toner cartridge, and install a new cartridge. For more information about replacing the toner cartridge, see "Replacing the Toner Cartridges."
093-933	Remove the used black toner cartridge, and install a new cartridge. For more information about replacing the toner cartridge, see "Replacing the Toner Cartridges."
093-960	Remove the unsupported yellow toner cartridge, and install a supported toner cartridge. For more information about installing the toner cartridge, see "Replacing the Toner Cartridges."
093-961	Remove the unsupported magenta toner cartridge, and install a supported toner cartridge. For more information about installing the toner cartridge, see "Replacing the Toner Cartridges."
093-962	Remove the unsupported cyan toner cartridge, and install a supported toner cartridge. For more information about installing the toner cartridge, see "Replacing the Toner Cartridges."
093-963	Remove the unsupported black toner cartridge, and install a supported toner cartridge. For more information about installing the toner cartridge, see "Replacing the Toner Cartridges."
093-970	Make sure that the yellow toner cartridge is fully installed. For more information about installing the toner cartridge, see "Replacing the Toner Cartridges."
093-971	Make sure that the magenta toner cartridge is fully installed. For more information about installing the toner cartridge, see "Replacing the Toner Cartridges."
093-972	Make sure that the cyan toner cartridge is fully installed. For more information about installing the toner cartridge, see "Replacing the Toner Cartridges."
093-973	Make sure that the black toner cartridge is fully installed. For more information about installing the toner cartridge, see "Replacing the Toner Cartridges."
094-422	Remove the used transfer belt unit, and install a new transfer belt unit. For more information about replacing the transfer belt unit, see "Replacing the Transfer Belt Unit, the 2nd Belt Transfer Roller (2nd BTR), and the Retard Roller."
094-910	Make sure that the transfer belt unit is fully installed. For more information about installing the transfer belt unit, see "Replacing the Transfer Belt Unit, the 2nd Belt Transfer Roller (2nd BTR), and the Retard Roller."

Error-Code	What you can do
094-911	Remove the used transfer belt unit, and install a new transfer belt unit. For more information about replacing the transfer belt unit, see "Replacing the Transfer Belt Unit, the 2nd Belt Transfer Roller (2nd BTR), and the Retard Roller."
193-700	When genuine toner cartridges are installed, change the Non-Dell Toner setting to disable using the Dell Printer Configuration Web Tool or the Tool Box .

Specifications

Operating System Compatibility

Your Dell™ C3760n/C3760dn Color Laser Printer is compatible with Microsoft® Windows® XP, Windows XP 64-bit Edition, Windows Server® 2003, Windows Server 2003 x64 Edition, Windows Server 2008, Windows Server 2008 64-bit Edition, Windows Server 2008 R2 64-bit Edition, Windows Vista®, Windows Vista 64-bit Edition, Windows 7, Windows 7 64-bit Edition, Windows 8, Windows 8 64-bit Edition, Windows Server 2012, Mac OS X 10.3.9, 10.4.11, 10.5, 10.6, 10.7, 10.8, Red Hat® Enterprise Linux® 5/6 Desktop (x86), and SUSE® Linux Enterprise Desktop 10/11 (x86).

Power Supply

Rated voltage	220 VAC - 240 VAC	110 VAC - 127 VAC
Frequency	50/60 Hz	50/60 Hz
Current	5 A or less	9 A or less
Power consumption	65.0 W (Ready)	76.0 W (Ready)
	13.5 W (Sleep)	13.5 W (Sleep)
	4.5 W (Deep Sleep)	4.5 W (Deep Sleep)
	0 W (Offline)	0 W (Offline)
TEC value	3.1 kWh	3.1 kWh

Dimensions

Height: 379 mm (14.92 inches) Width: 439 mm (17.28 inches) Depth: 485 mm (19.09 inches)

Weight (including toner cartridges and drum cartridges): 25.7 kg (56.66 lb)

Memory

Base memory	256 MB
Maximum memory	768 MB (256 MB + 512 MB)
Connector	144 pin EP2-2100 DDR2 SDRAM 32b-SO-DIMM
DIMM size	512 MB
Speed	EP2-2100

Page Description Language (PDL)/Emulation, Operating System, and Interface

PDL/Emulations	PCL 6, PCL5e, PostScript, HBPL, XPS (Host Based)
-----------------------	--------------------------------------------------

Operating systems	Microsoft Windows XP/XP x64/Server 2003/Server 2003 x64/Server 2008/Server 2008 x64/Server 2008 R2 x64/Vista/Vista x64/7/7 x64/8/8 x64/Server 2012, Mac OS X (10.3.9/10.4.11/10.5/10.6/10.7/10.8), Red Hat Enterprise Linux 5/6 Desktop (x86), and SUSE Linux Enterprise Desktop 10/11 (x86)	
Interfaces	Standard local:	USB 2.0
	Standard network:	10Base-T/100Base-TX/ 1000Base-T Ethernet
	Optional network:	IEEE 802.11b/802.11g/802.11n (Wireless)

MIB Compatibility

Management Information Base (MIB) is a database containing information about network devices (such as adapters, bridges, routers, or computers). This information helps network administrators manage the network (analyze performance, traffic, errors, and so on). Dell C3760n/C3760dn Color Laser Printer complies with standard industry MIB specifications, allowing the printer to be recognized and managed by various printer and network management software systems.

Environment

Operation

Temperature	10 °C - 32 °C
Relative humidity	10 % - 85 % RH (no condensation)

Print Quality Guarantee

Temperature	15 °C - 28 °C
Relative humidity	20 % - 70 % RH (no condensation)

Storage

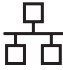


Temperature range	-20 °C to 40 °C (0 °F to 104 °F)
Storage humidity range	5 % - 85 % RH (no condensation)

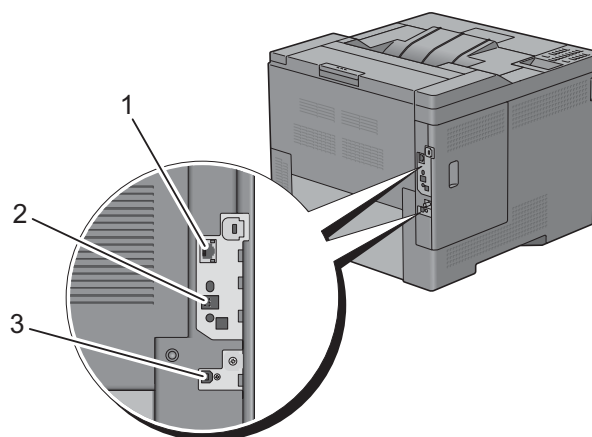
Altitude

Operating	Up to 3,100 m (10,170 feet)
Storage	Up to 3,100 m (10,170 feet)

Cables

Your interconnection cable must meet the following requirements:

	Connection type	Connection specifications and symbols	
1	Ethernet	10Base-T/100Base-TX/ 1000Base-T	
2	Wireless adapter socket	IEEE 802.11b/802.11g/802.11n	
3	USB	USB 2.0	



Optional Wireless Adapter

Item	Description
Connectivity technology	Wireless
Compliant standards	IEEE 802.11b, 802.11g, and 802.11n
Bandwidth	2.4 GHz
Data transfer rate	IEEE 802.11n: 65 Mbps IEEE 802.11g: 54, 48, 36, 24, 18, 12, 9, and 6 Mbps IEEE 802.11b: 11, 5.5, 2, and 1 Mbps
Security	64 (40-bit key)/128 (104-bit key) WEP, WPA-PSK (TKIP, AES), WPA2-PSK (AES), WPA-Enterprise (TKIP, AES) ^{*1*2} , WPA2-Enterprise (AES) ^{*1*2}
Wi-Fi Protected Setup® (WPS)^{*3}	Push-Button Configuration (PBC), Personal Identification Number (PIN)

^{*1}: This item is available only when the optional hard disk is installed.

^{*2}: EAP method supports PEAPv0, EAP-TLS, EAP-TTLS PAP, and EAP-TTLS CHAP.

^{*3}: WPS 2.0 compliant.

Maintaining Your Printer

26 Maintaining Your Printer	313
27 Removing Options	347
28 Clearing Jams	355

Maintaining Your Printer

You need to complete certain tasks to maintain optimum print quality.

 **NOTE:** The images used in this manual are those of the Dell™ C3760dn Color Laser Printer unless otherwise mentioned.

Determining the Status of Supplies

If your printer is connected to the network, the **Dell Printer Configuration Web Tool** can provide instant feedback on remaining toner levels. Type the printer's IP address in your web browser to view this information. To use the **E-Mail Alert Setup** feature that notifies you when the printer requires new supplies, type the desired e-mail address in the e-mail list box.

On the LCD panel screen, you can also confirm the following:

- Any supply or maintenance items that require attention replacing (However, the printer can only display information about one item at a time).
- Amount of toner remaining in each toner cartridge.

Conserving Supplies

You can change several settings in your printer driver to conserve toner cartridge and paper.


Supply	Setting	Function
Toner cartridge	Toner Saver in the Others tab	This check box allows the users to select a print mode that uses less toner. The image quality will be lower when this feature is used.
Print media	Multiple Up in the Layout tab	The printer prints two or more pages on one side of a sheet.
Print media	Duplex in the General tab	The printer prints on both sides of a sheet of paper.

Ordering Supplies

You can order consumables (toner cartridges, drum cartridges, and waste toner box) from Dell on the Internet when using a networked printer. Type the IP address of your printer in your web browser, launch the **Dell Printer Configuration Web Tool**, and click the **Order Supplies at:** to order consumables for your printer.

You can also order consumables by the following method.

- 1 Click **Start**→ **All Programs**→ **Dell Printers**→ **Additional Color Laser Software**→ **Dell Supplies Management System**.
The **Dell Supplies Management System** window appears.
- 2 Select your printer from the **Select Printer Model** list.
- 3 If ordering from the web:
 - a Select a URL from the **Select Reorder URL** list.
 - b Click **Visit Dell printer supplies ordering web site**.

 **NOTE:** When you cannot get information from the printer automatically by two-way communication, a window that prompts you to type the Service Tag appears. Type your Dell printer Service Tag in the field provided. Your Service Tag number is located inside the front cover of your printer.

- 4 If ordering by phone, call the number that appears under the **Order by Phone** heading.

Storing Print Media

To avoid potential paper feeding problems and uneven print quality, there are several things you can do:

- To achieve the best possible print quality, store print media in an environment where the temperature is approximately 21 °C (70 °F) and the relative humidity is 40 %.
- Store cartons of print media on a pallet or shelf, rather than directly on the floor.
- If you store individual packages of print media out of the original carton, ensure that they rest on a flat surface so the edges do not buckle or curl.
- Do not place anything on top of the print media packages.

Storing Consumables

Store consumables in their original packaging until you need to use them. Do not store consumables in:

- Temperatures greater than 40 °C (104 °F).
- An environment with extreme changes in humidity or temperature.
- Direct sunlight.
- Dusty places.
- A car for a long period of time.
- An environment where corrosive gases are present.
- A humid environment.

Replacing the Toner Cartridges

⚠ WARNING: Before performing any of the following procedures, read and follow the safety instructions in the *Product Information Guide*.

Dell toner cartridges are available only through Dell. You can order cartridges online at <http://www.dell.com/supplies> or by phone. To order by phone, see "Contacting Dell."

It is recommended to use Dell toner cartridges for your printer. Dell does not provide warranty coverage for problems caused by using accessories, parts, or components not supplied by Dell.

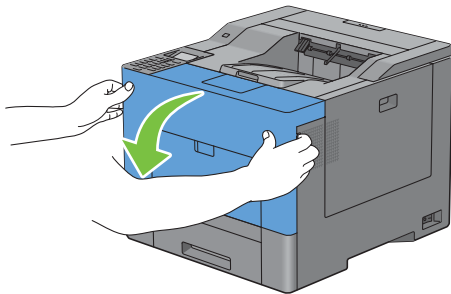
⚠ WARNING: Never throw used toner cartridges into fire. The residual toner could explode resulting in burns and injuries.

⚠ WARNING: Do not shake the used toner cartridge. This may cause toner spills.

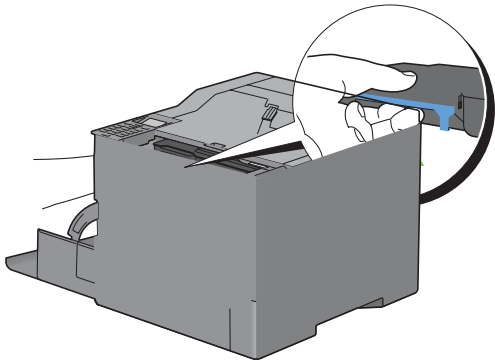
Removing the Toner Cartridge

✍ NOTE: Ensure that you remove all the paper from the MPF and close the MPF cover before removing the toner cartridge.

- 1 Grasp the grips on both sides of the front cover, and then pull it down to open.



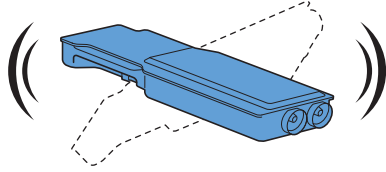
- 2 Grasp the handle on the toner cartridge that you want to replace, and then pull it out.



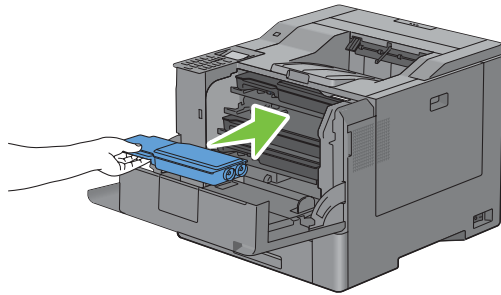
⚠ WARNING: Do not shake the toner cartridge as it may cause toner spills.

Installing a Toner Cartridge

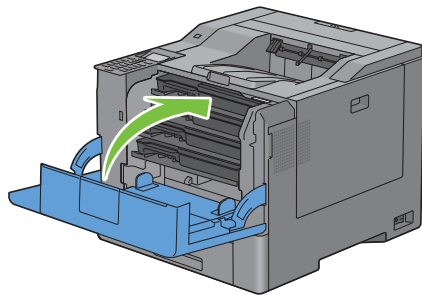
- 1 Unpack a new toner cartridge of the desired color.
- 2 Shake the new toner cartridge five or six times to distribute the toner evenly.



- 3 Insert the toner cartridge into the associated cartridge slot, and then push until it stops.



- 4 Close the front cover.



Replacing the Drum Cartridges

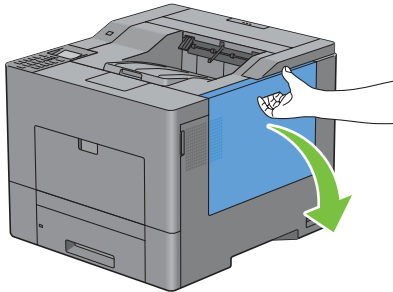
You need to replace all drum cartridges (yellow, magenta, cyan, and black) at a time.

⚠ WARNING: Before performing any of the following procedures, read and follow the safety instructions in the *Product Information Guide*.

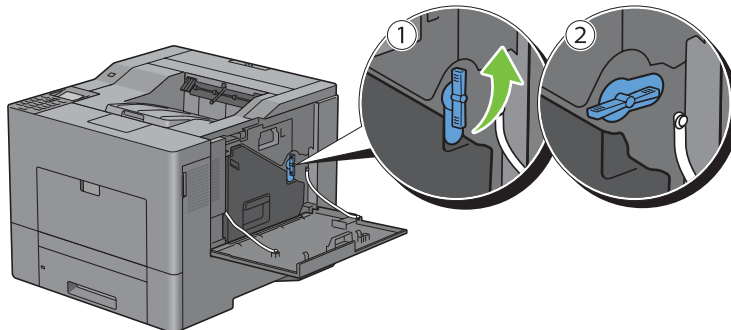
⚠ CAUTION: Protect the drum cartridges against bright light. If the right side cover remains open for more than three minutes, print quality may deteriorate.

Removing the Drum Cartridge

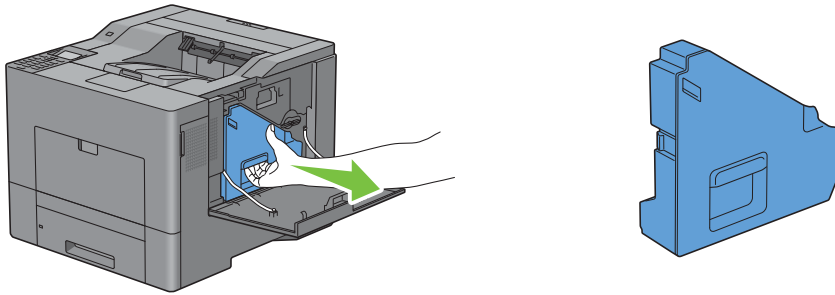
- 1 Open the right side cover.




- 2 Turn the waste toner box lock lever 90-degrees counterclockwise to unlock the waste toner box.

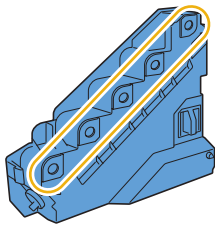


- 3 Grasp the handle on the waste toner box and pull it out making sure to hold it upright so that the waste toner does not spill out.

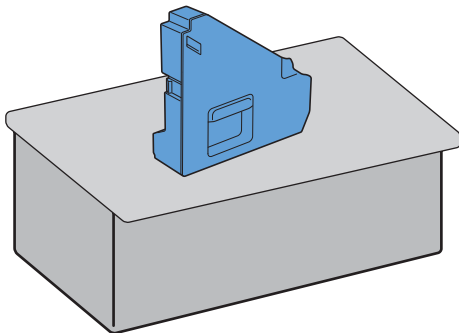


 **CAUTION:** Take care not to drop the waste toner box while you are removing it.

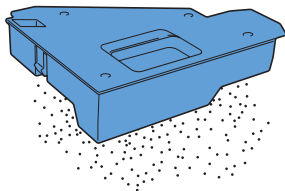
 **CAUTION:** After removing the waste toner box, do not touch the parts shown in the illustration. Toner can dirty or stain your hands.



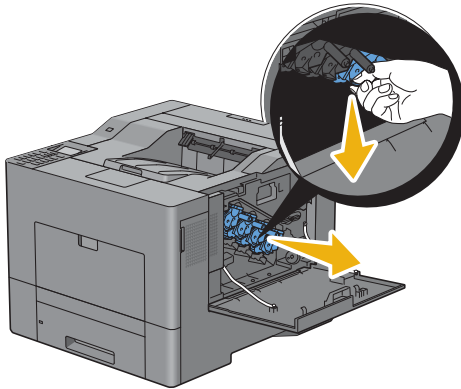
- 4 Stand the removed waste toner box upright on a level surface.



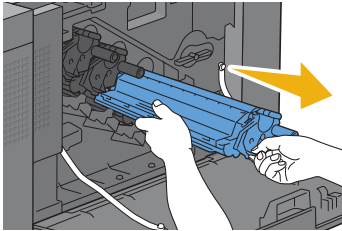
 **WARNING:** Never lay the waste toner box on its side as this may cause its malfunction or toner spills.



- 5 Slightly pressing down the tab on the drum cartridge that you want to replace, pull it out halfway with one hand.



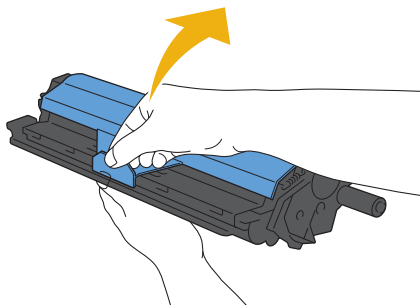
- 6 Support the drum cartridge with the other hand from underneath, and then pull it out completely.



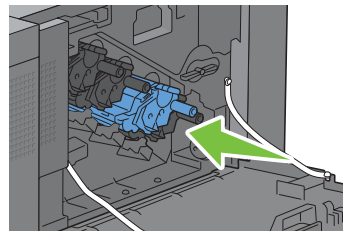
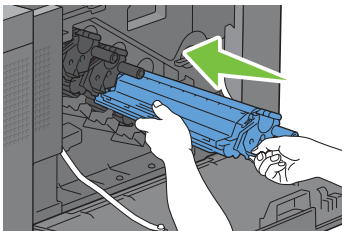
- 7 Repeat the steps 5 and 6 to remove the other three cartridges.

Installing a Drum Cartridge

- 1 Unpack a new drum cartridge of the desired color.
- 2 Remove the orange protective cover from the drum cartridge.

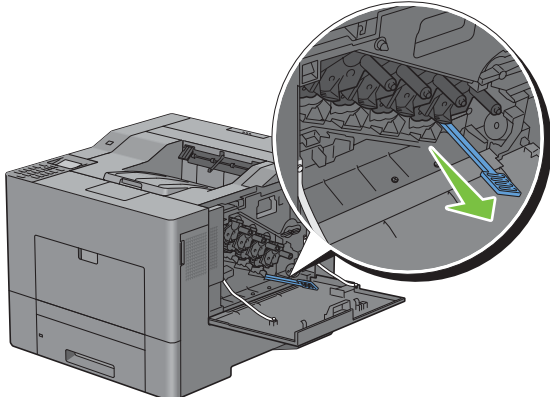


- 3 Insert the drum cartridge into the associated cartridge slot, and then push until it stops.

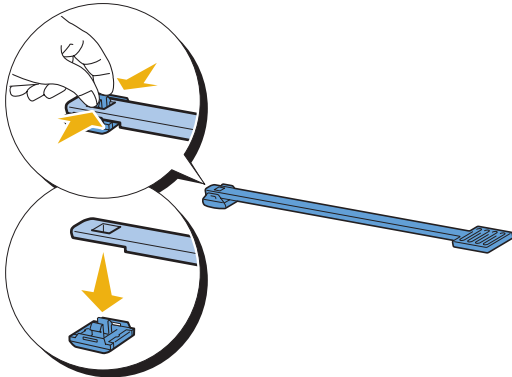


- 4 Repeat the steps 1 to 3 to insert the other three cartridges.

5 Remove the cleaning rod from inside the printer.

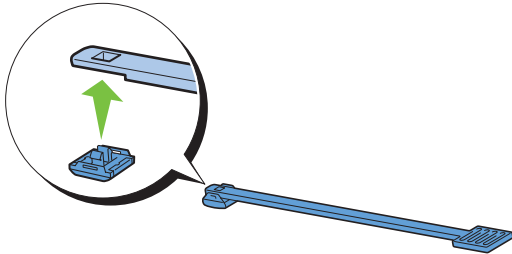


6 Remove the cleaning pad by pressing the white tabs between your thumb and index finger.

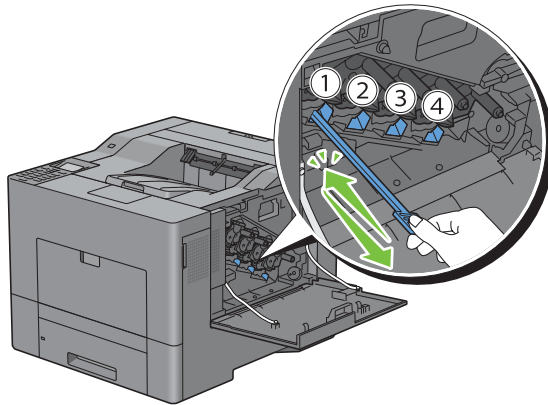


7 Unpack a new cleaning pad.

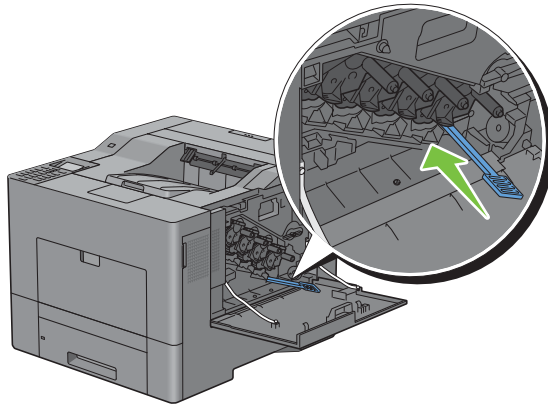
8 Attach the new cleaning pad to the cleaning rod.



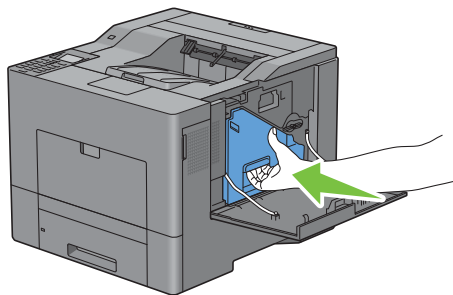
- 9 Insert the cleaning rod fully into one of the four holes until it clicks into the interior of the printer as illustrated below, and then pull it out.



- 10 Repeat step 9 also on the other three holes. One time insertion is enough for each hole.
11 Return the cleaning rod to its original location.

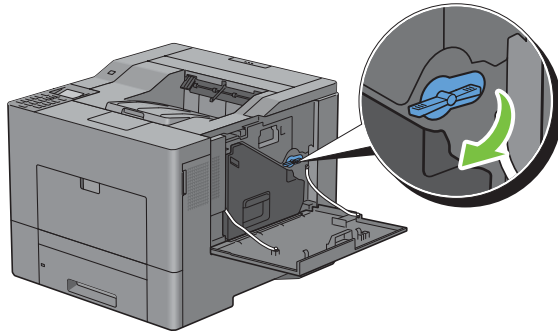


- 12 Reinsert the removed waste toner box.

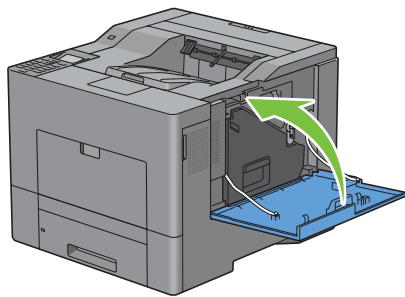


CAUTION: If the waste toner box does not fit into place properly, make sure that the drum cartridge is fully inserted in the previous step.

- 13 Turn the waste toner box lock lever 90-degrees clockwise to lock the waste toner box.



- 14 Close the right side cover.

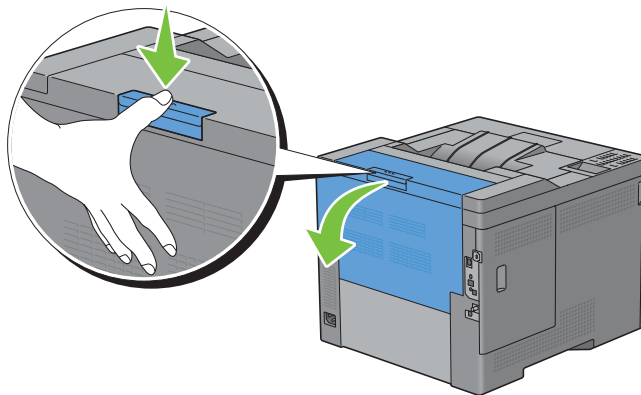


Replacing the Fusing Unit

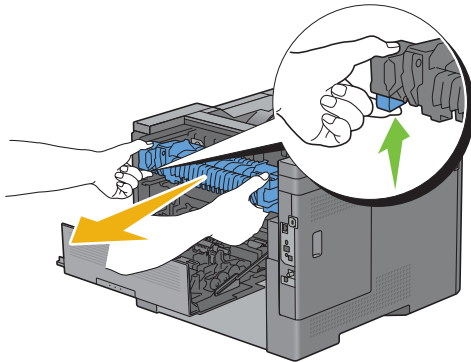
⚠ WARNING: Before performing any of the following procedures, read and follow the safety instructions in the *Product Information Guide*.

Removing the Fusing Unit

- 1 Turn off the printer and wait for 30 minutes.
- 2 Push down the latch to open the rear cover.

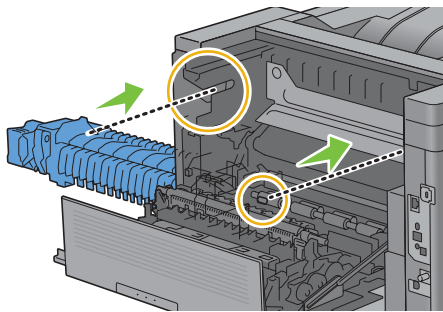


- 3 Grasp the grips on both sides of the fusing unit squeezing the lever under the left side grip, and then pull out the unit.

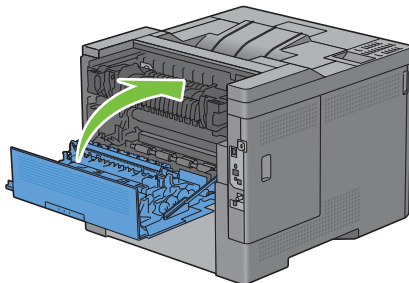



Installing a Fusing Unit

- 1 Unpack a new fusing unit.
- 2 Make sure that the two tabs of the fusing unit align with the grooves on the printer, and then insert it into the printer until it clicks.



- 3 Close the rear cover.



 **NOTE:** After replacing the fusing unit, be sure to initialize its life counter by following the instructions in the accompanying manual.

Replacing the Transfer Belt Unit, the 2nd Belt Transfer Roller (2nd BTR), and the Retard Roller

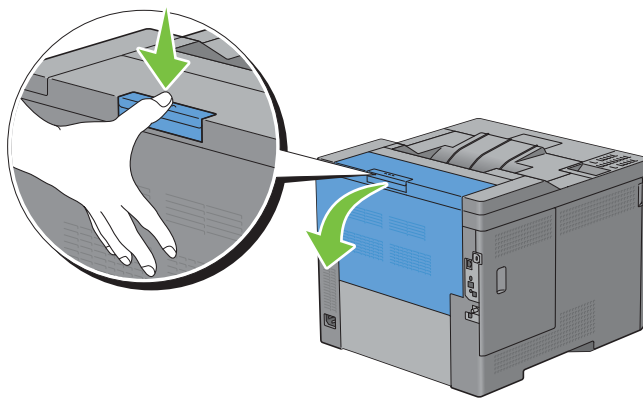
You need to replace all three parts (transfer belt unit, 2nd BTR, and retard roller) at a time. Both the 2nd BTR and the retard roller for replacement come with a new transfer belt unit.

⚠ WARNING: Before performing any of the following procedures, read and follow the safety instructions in the *Product Information Guide*.

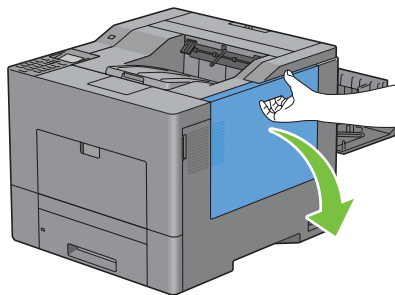
⚠ CAUTION: Ensure nothing touches or scratches the surface (black-colored film) of the transfer belt unit. Scratches, dirt, or oil from your hands on the film of the transfer belt unit may reduce print quality.

Removing the Transfer Belt Unit

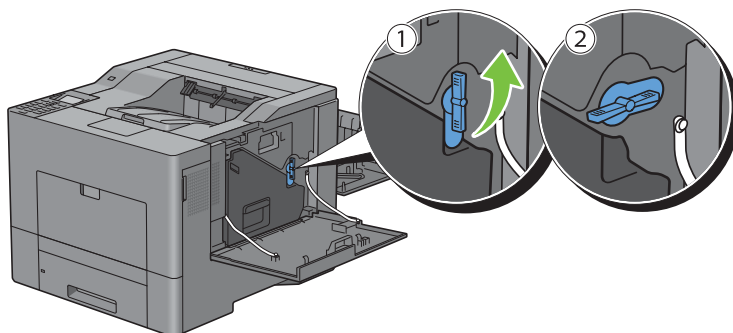
- 1 Push down the latch to open the rear cover.



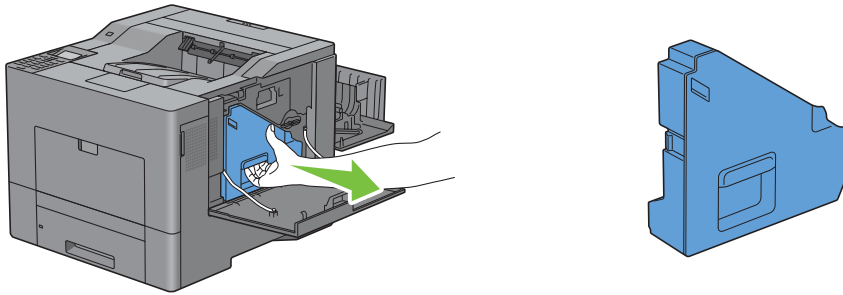
- 2 Open the right side cover.



- 3 Turn the waste toner box lock lever 90-degrees counterclockwise to unlock the waste toner box.

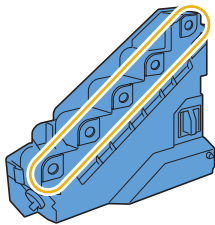


- 4 Grasp the handle on the waste toner box and pull it out making sure to hold it upright so that the waste toner does not spill out.

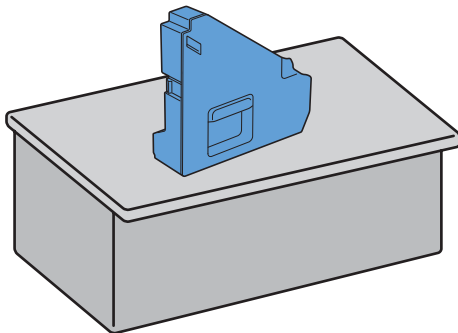


 **CAUTION:** Take care not to drop the waste toner box while you are removing it.

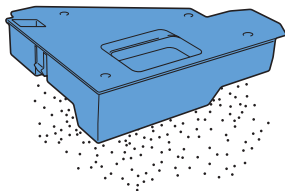
 **CAUTION:** After removing the waste toner box, do not touch the parts shown in the illustration. Toner can dirty or stain your hands.



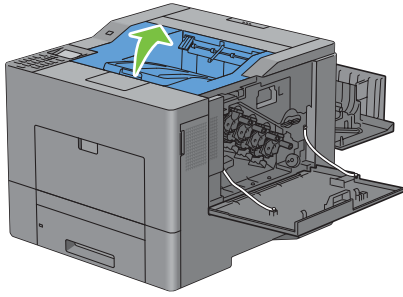
- 5 Stand the removed waste toner box upright on a level surface.



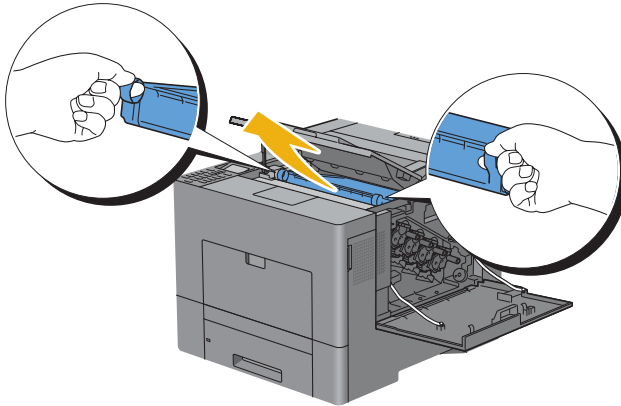
 **WARNING:** Never lay the waste toner box on its side as this may cause its malfunction or toner spills.



- 6 Open the top cover.

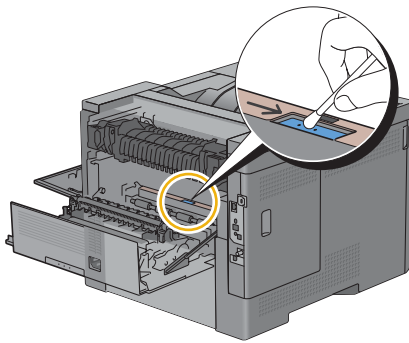


- 7 Put your fingers through the loops on both sides of the transfer belt unit, and then pull it out.



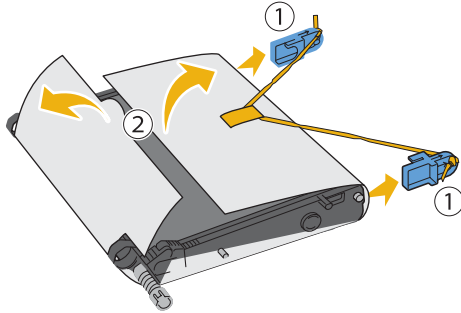
⚠ CAUTION: If you cannot pull out the unit from the printer, make sure that all of the above procedures are performed properly.

- 8 Clean the CTD sensor (as shown) with a clean, dry cotton swab.



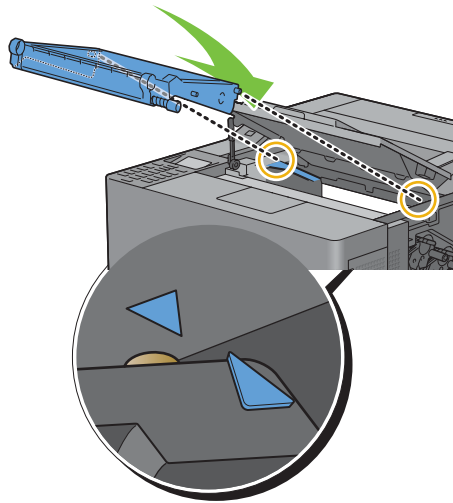
Installing a Transfer Belt Unit

- 1 Unpack a new transfer belt unit.
- 2 Remove the two orange packing materials first, and then the protective sheet from the transfer belt unit.

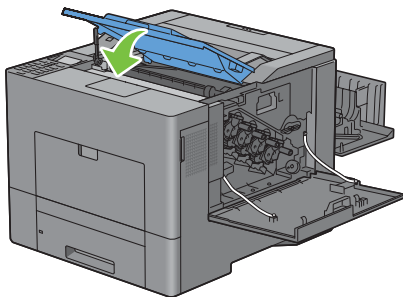


CAUTION: Ensure nothing touches or scratches the surface (black-colored film) of the transfer belt unit. Scratches, dirt, or oil from your hands on the film of the transfer belt unit may reduce print quality.

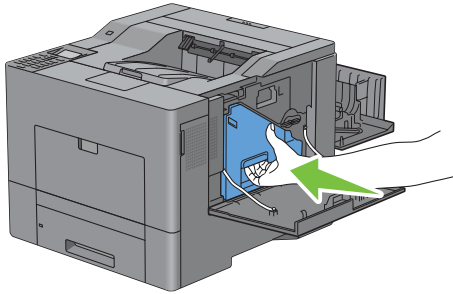
- 3 Make sure that the arrow marks on the transfer belt unit and the printer face each other, and then insert the unit into the printer until it clicks.



- 4 Close the top cover.

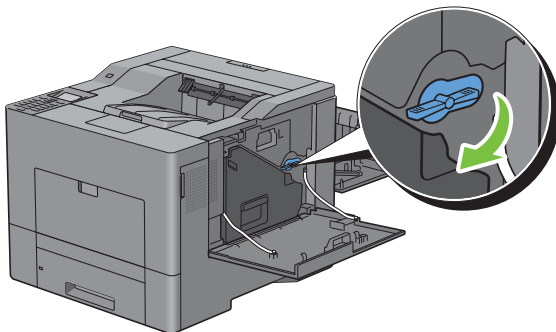


- 5 Reinsert the removed waste toner box.

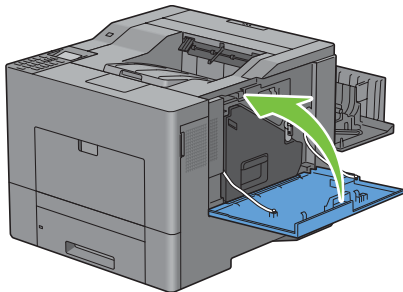


⚠ CAUTION: If the waste toner box does not fit into place properly, make sure that the transfer belt unit is fully inserted.

- 6 Turn the waste toner box lock lever 90-degrees clockwise to lock the waste toner box.



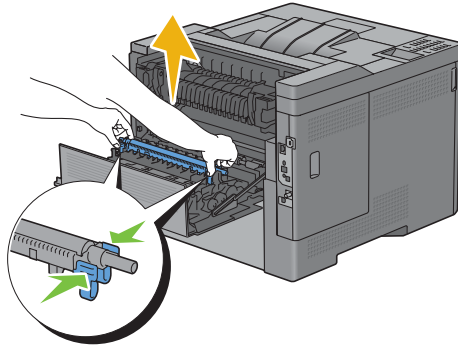
- 7 Close the right side cover.



🔧 NOTE: After replacing the transfer belt unit, be sure to initialize its life counter by following the instructions in the accompanying manual.

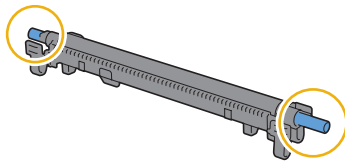
Removing the 2nd BTR

- 1 Pinching the tabs on both sides of the 2nd BTR, lift it out of the printer.

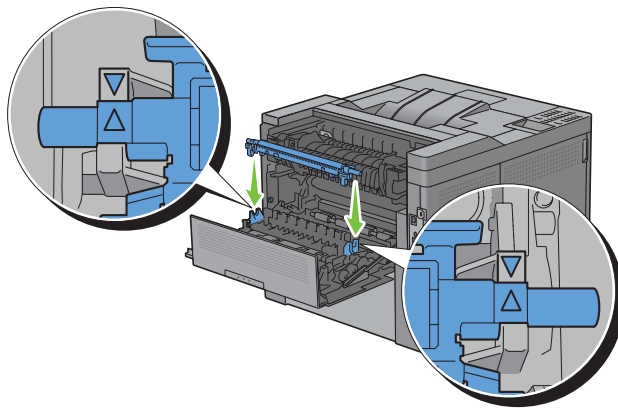


Installing a 2nd BTR

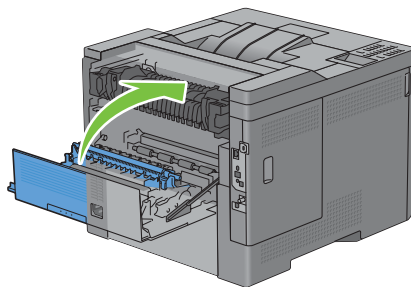
- 1 Unpack a new 2nd BTR.
- 2 Hold the 2nd BTR by both its ends.



- 3 Make sure that the arrow marks on the 2nd BTR and the printer face each other, and then press down the 2nd BTR until it clicks.

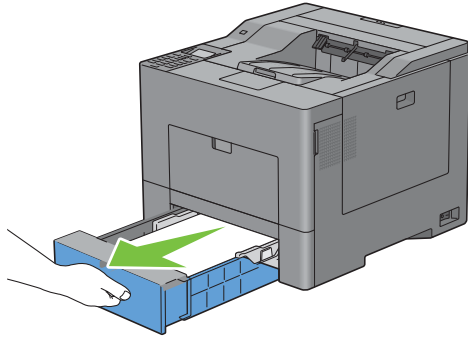


- 4 Close the rear cover.

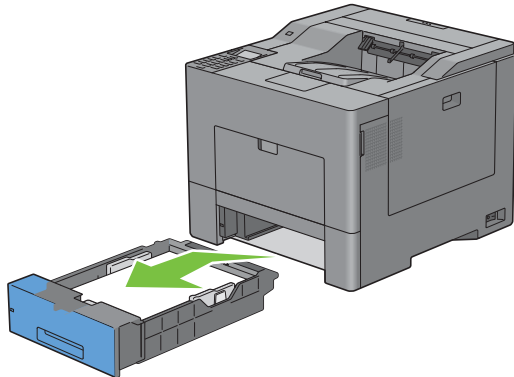



Removing the Retard Roller in Tray1

- 1 Pull tray1 out of the printer about 200 mm.

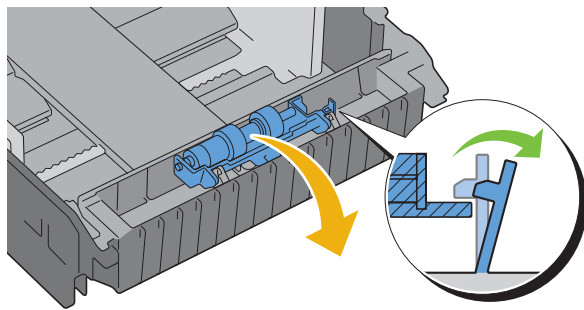


- 2 Hold tray1 with both hands, and remove it from the printer.

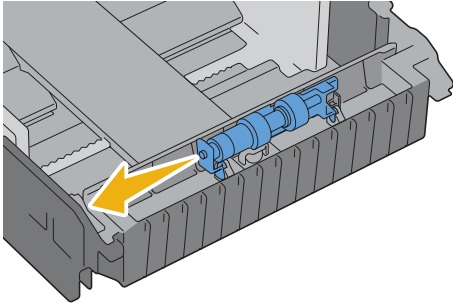


 **NOTE:** Ensure that you remove all the paper from tray1 before removing the retard roller.

- 3 Slightly pressing down the lock lever on tray1 to the right with one hand, raise the retard roller with the other hand.

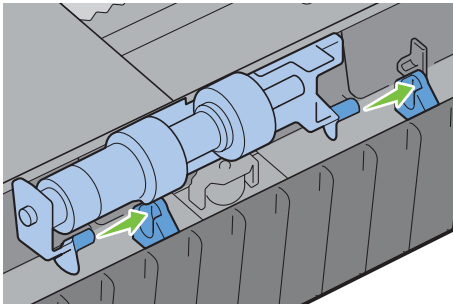


- Slide the retard roller to the left to remove it from tray1.

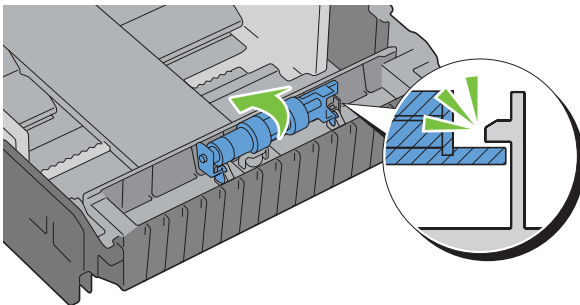


Installing a Retard Roller in Tray1

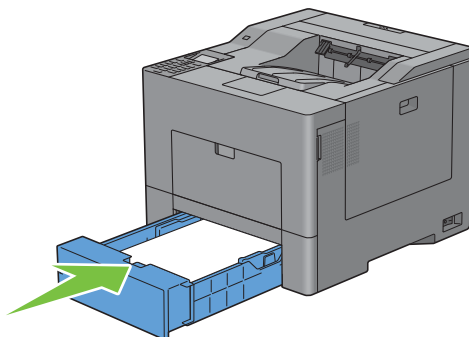
- Slide the two axes of the retard roller into the holes on tray1.



- Press down the retard roller until it snaps.



- Load paper in tray1, and then insert the tray into the printer and push until it stops.

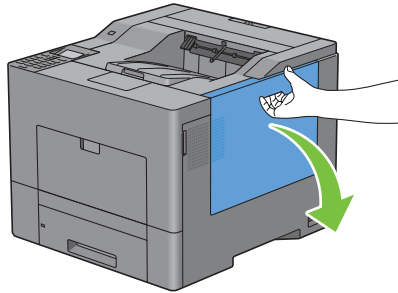


Replacing the Waste Toner Box

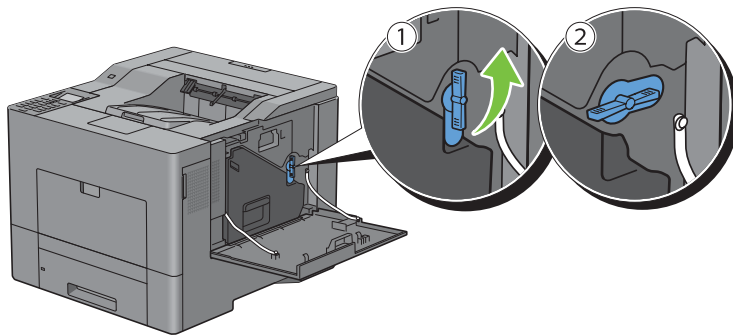
 **WARNING:** Before performing any of the following procedures, read and follow the safety instructions in the *Product Information Guide*.

Removing the Waste Toner Box

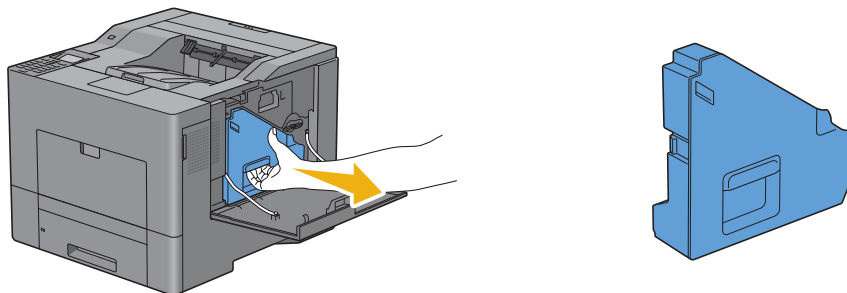
- 1 Open the right side cover.



- 2 Turn the waste toner box lock lever 90-degrees counterclockwise to unlock the waste toner box.

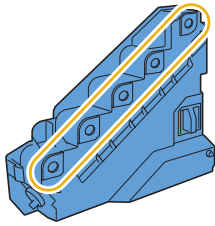


- 3 Grasp the handle on the waste toner box and pull it out making sure to hold it upright so that the waste toner does not spill out.



 **CAUTION:** Take care not to drop the waste toner box while you are removing it.

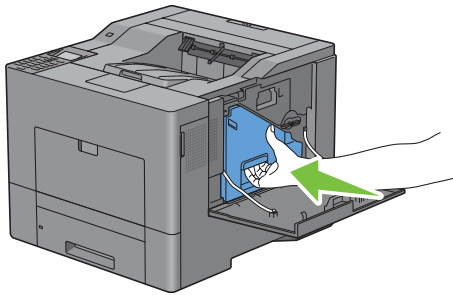
 **CAUTION:** After removing the waste toner box, do not touch the parts shown in the illustration. Toner can dirty or stain your hands.



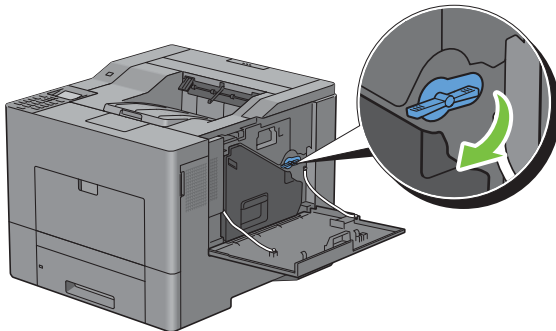
- 4 Insert the used waste toner box into the plastic bag that came with the new waste toner box and seal the bag.

Installing a Waste Toner Box

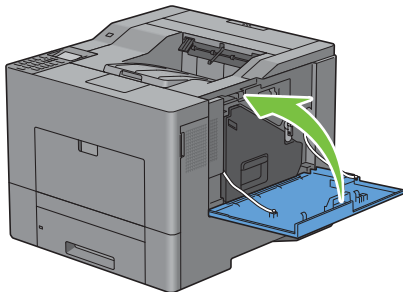
- 1 Unpack a new waste toner box.
- 2 Insert the waste toner box.



- 3 Turn the waste toner box lock lever 90-degrees clockwise to lock the waste toner box.



- 4 Close the right side cover.

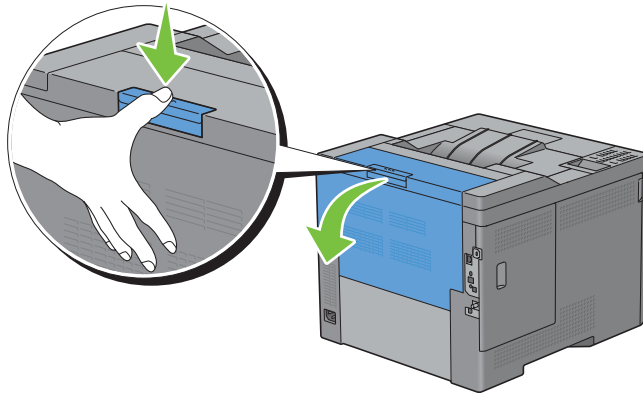


Cleaning Inside the Printer

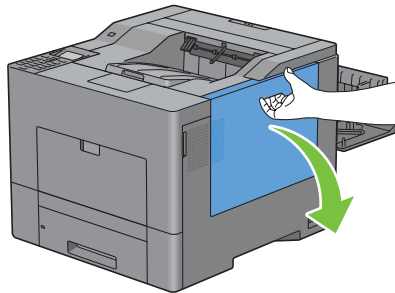
Cleaning the CTD Sensor

Clean the Color Toner Density (CTD) sensor only when an alert for the CTD sensor is shown on the Status Monitor or LCD panel screen.

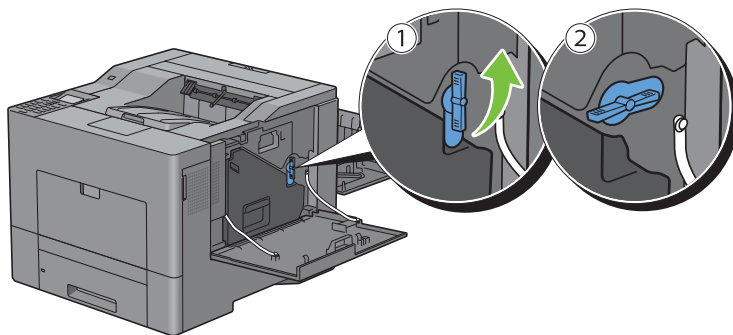
- 1 Ensure that the printer is turned off.
- 2 Push down the latch to open the rear cover.



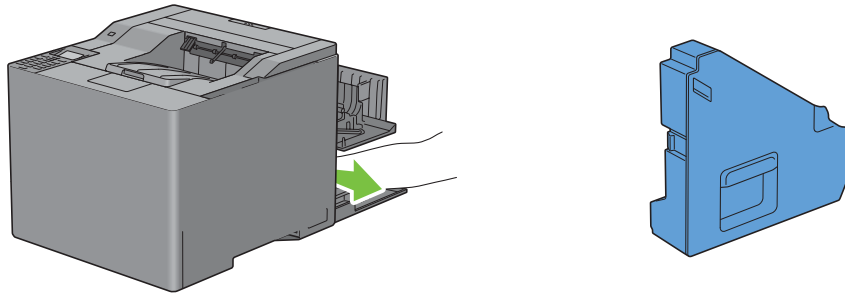
- 3 Open the right side cover.




- 4 Turn the waste toner box lock lever 90-degrees counterclockwise to unlock the waste toner box.

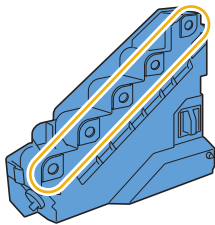


- 5 Grasp the handle on the waste toner box and pull it out making sure to hold it upright so that the waste toner does not spill out.

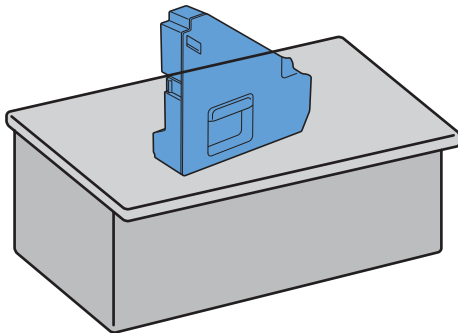


 **CAUTION:** Take care not to drop the waste toner box while you are removing it.

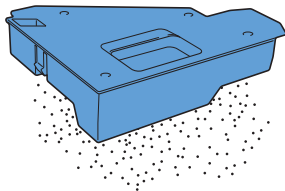
 **CAUTION:** After removing the waste toner box, do not touch the parts shown in the illustration. Toner can dirty or stain your hands.



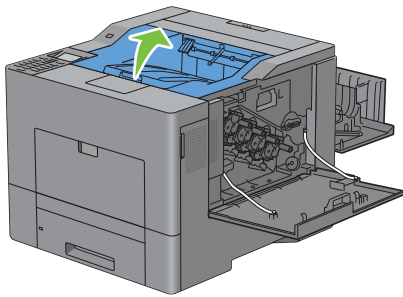
- 6 Stand the removed waste toner box upright on a level surface.



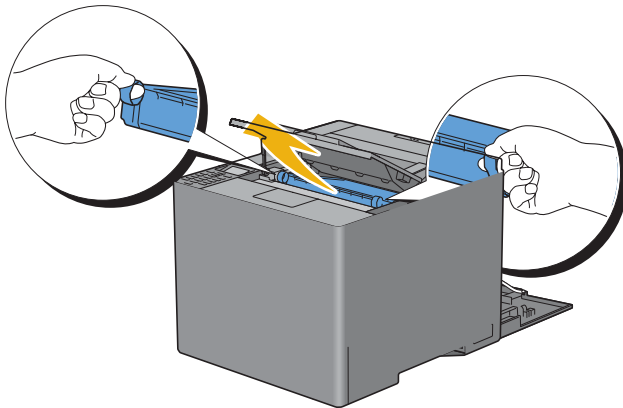
 **WARNING:** Never lay the waste toner box on its side as this may cause its malfunction or toner spills.



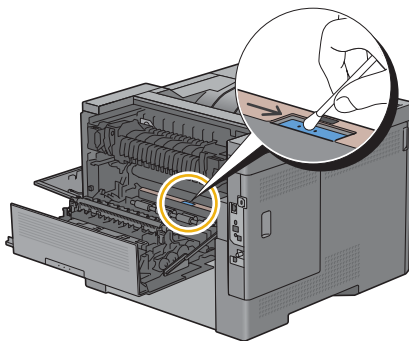
7 Open the top cover.



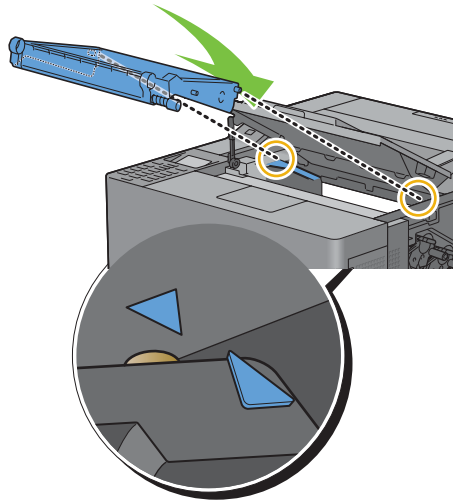
8 Put your fingers through the loops on both sides of the transfer belt unit, and then pull it out.



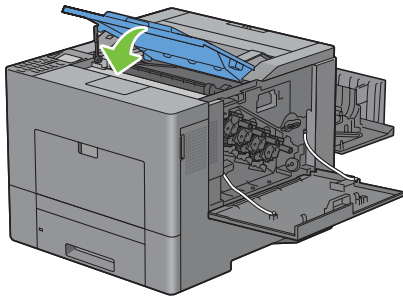
9 Clean the CTD sensor (as shown) with a clean, dry cotton swab.



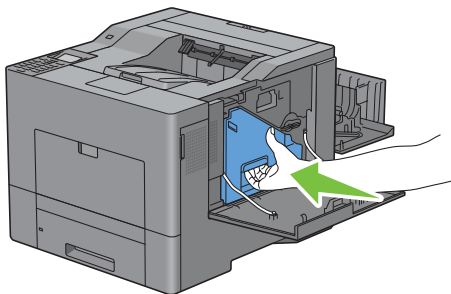
- 10** Make sure that the arrow marks on the transfer belt unit and the printer face each other, and then insert the unit into the printer until it clicks.



- 11** Close the top cover.

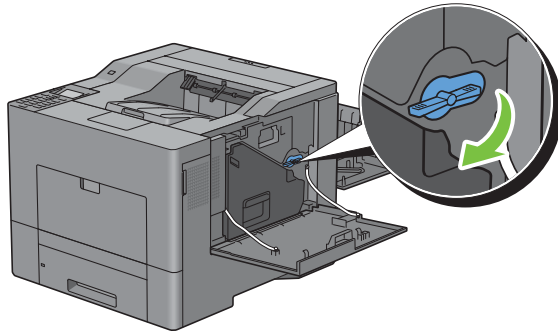


- 12** Reinsert the removed waste toner box.

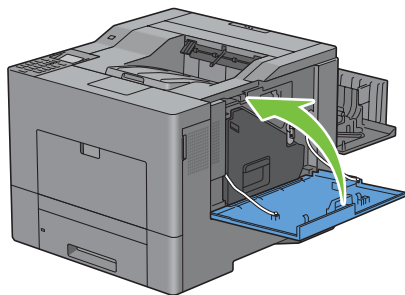


⚠ CAUTION: If the waste toner box does not fit into place properly, make sure that the transfer belt unit is fully inserted.

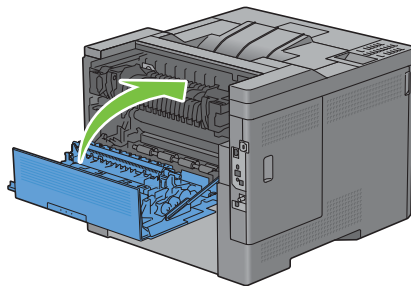
- 13 Turn the waste toner box lock lever 90-degrees clockwise to lock the waste toner box.



- 14 Close the right side cover.



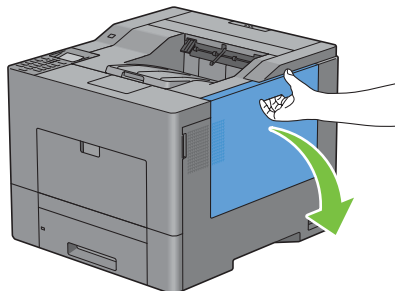
- 15 Close the rear cover.



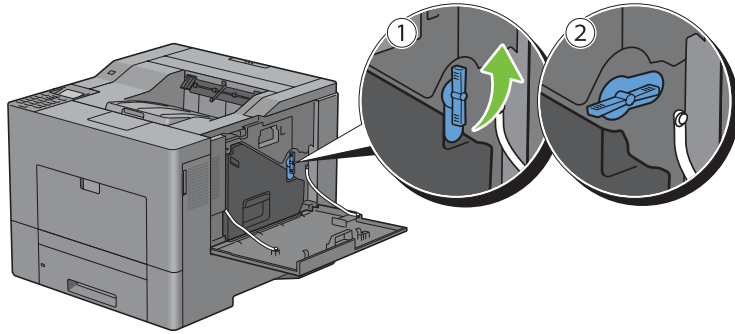
Cleaning the Raster Optical Scanner (ROS) Window

To prevent deterioration of printing quality due to stains inside the printer, clean inside the printer regularly by using the cleaning rod whenever you replace drum cartridges.

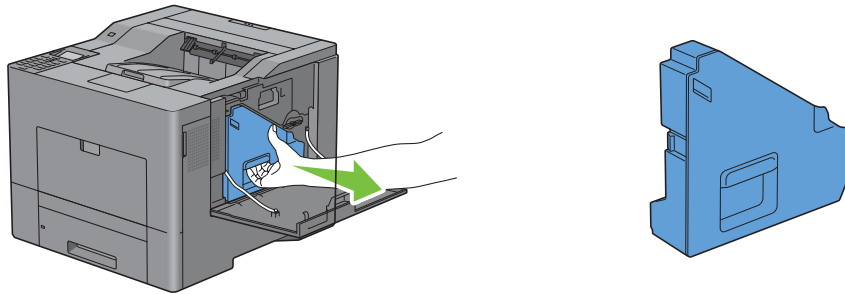
- 1 Open the right side cover.



- 2 Turn the waste toner box lock lever 90-degrees counterclockwise to unlock the waste toner box.



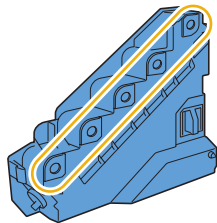
- 3 Grasp the handle on the waste toner box and pull it out making sure to hold it upright so that the waste toner does not spill out.



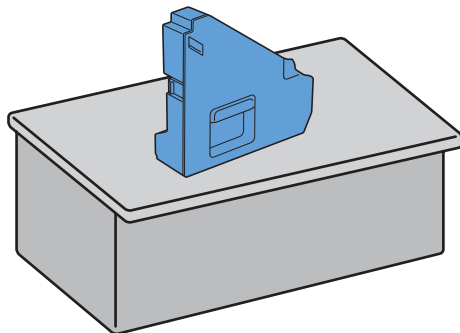
CAUTION: Take care not to drop the waste toner box while you are removing it.



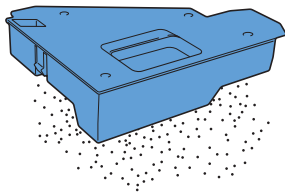
CAUTION: After removing the waste toner box, do not touch the parts shown in the illustration. Toner can dirty or stain your hands.



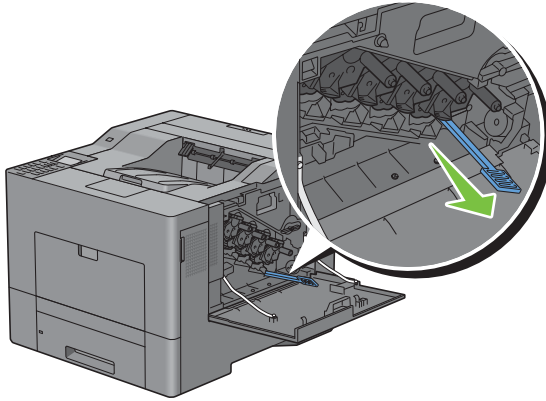
- 4 Stand the removed waste toner box upright on a level surface.



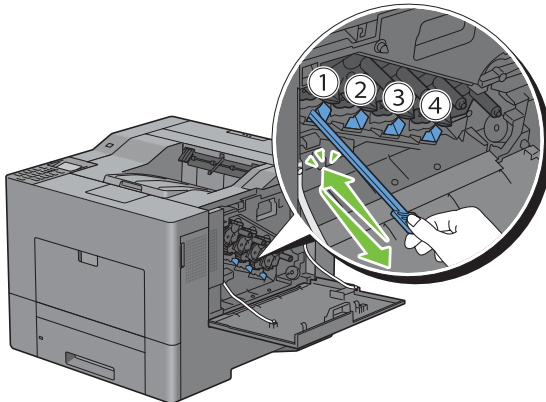
WARNING: Never lay the waste toner box on its side as this may cause its malfunction or toner spills.



- 5 Remove the cleaning rod from inside the printer.

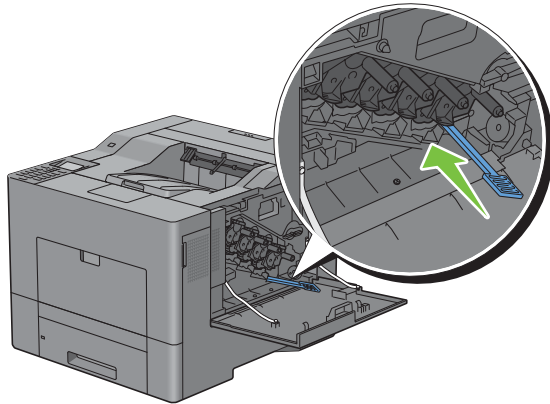


- 6 Insert the cleaning rod fully into one of the four holes until it clicks into the interior of the printer as illustrated below, and then pull it out.

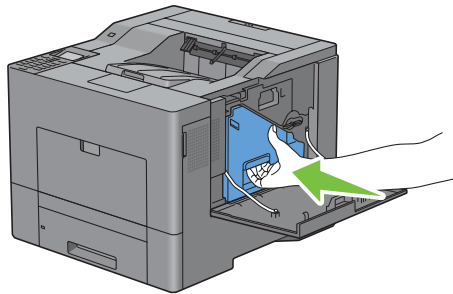


- 7 Repeat step 6 also on the other three holes. One time insertion is enough for each hole.

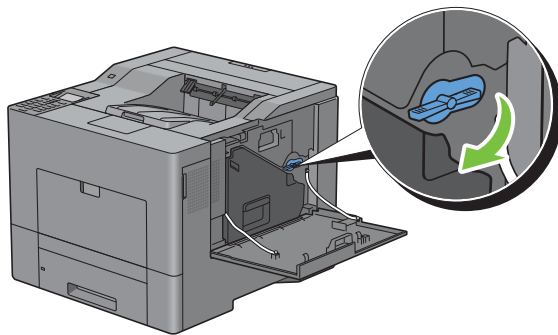
8 Return the cleaning rod to its original location.



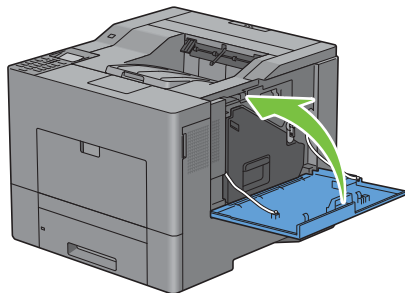
9 Reinsert the removed waste toner box.



10 Turn the waste toner box lock lever 90-degrees clockwise to lock the waste toner box.



11 Close the right side cover.



Adjusting Color Registration

To adjust the color registration when you first install the printer or after moving it to a new location, follow the procedure below.





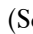

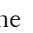

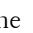

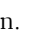
- Printing the Color Registration Chart
- Determining Values
- Entering Values



NOTE: If the Panel Lock Control is set to Enable, you need to enter the four digit password to enter the Admin Settings menu.

Printing the Color Registration Chart

When Using the Operator Panel

- 1 Press the  (Menu) button.
- 2 Press the  button until Admin Settings is highlighted, and then press the  (Set) button.
- 3 Press the  button until Maintenance is highlighted, and then press the  (Set) button.
- 4 Press the  button until Color Reg Adjust is highlighted, and then press the  (Set) button.
- 5 Press the  button until Color Regi Chart is highlighted, and then press the  (Set) button.
- 6 Press the  button until Yes is highlighted, and then press the  (Set) button.

The color registration chart is printed.

When Using the Tool Box

- 1 Click Start → All Programs → Dell Printers → Dell C3760 Color Laser Printer → Tool Box.



NOTE: For details about starting the Tool Box, see "Starting the Tool Box."

The Tool Box opens.

- 2 Click the Printer Maintenance tab.
- 3 Select Maintenance from the list at the left side of the page.

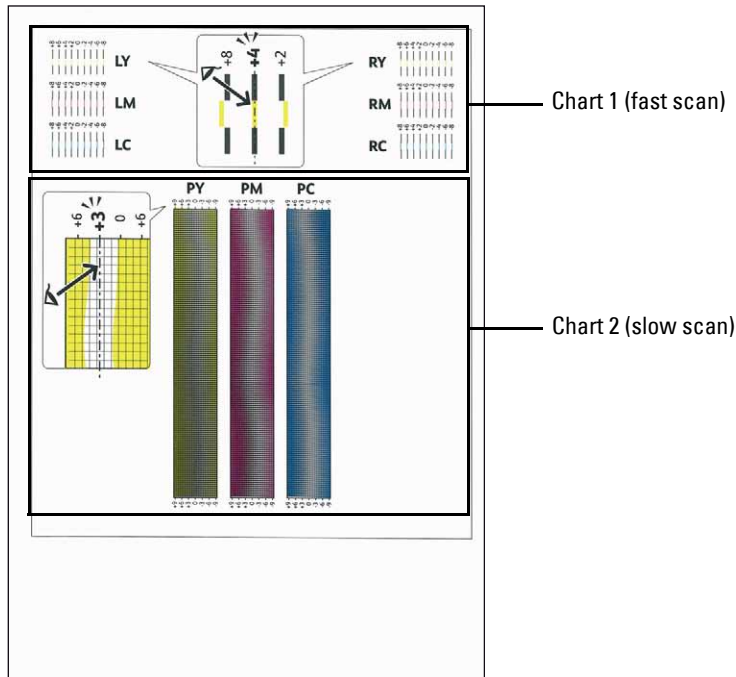
The Maintenance page is displayed.

- 4 Click Start next to Print Color Regi Chart under Color Registration Adjustments.

The color registration chart is printed.

Determining Values

On the color registration chart, there are two types of charts: Chart 1 (fast scan) and Chart 2 (slow scan).



The Chart 1 is used to adjust the color registration for the fast scan direction, which is vertical to paper feed direction. The Chart 2 is used to adjust the color registration for the slow scan direction, which is horizontal to paper feed direction.

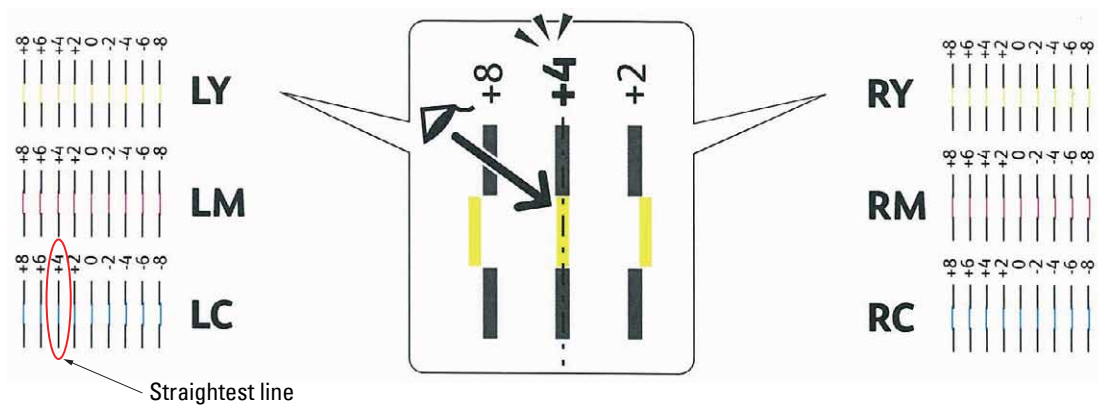
The following sections explain how to determine the adjustment values for the fast scan and the slow scan using Chart 1 and Chart 2.

Fast Scan

On the Chart 1 of the color registration chart, find the straightest lines where the two black lines and the colored line are most closely aligned for each color (LY, LM, LC, RY, RM, and RC). If you find the straightest line, make a note of the value (-8 to +8) indicated by the straightest line for each color.

When the value is 0 for each color, you do not need to adjust the color registration for the fast scan.

When the value is not 0, enter the value using the procedure in "Entering Values."



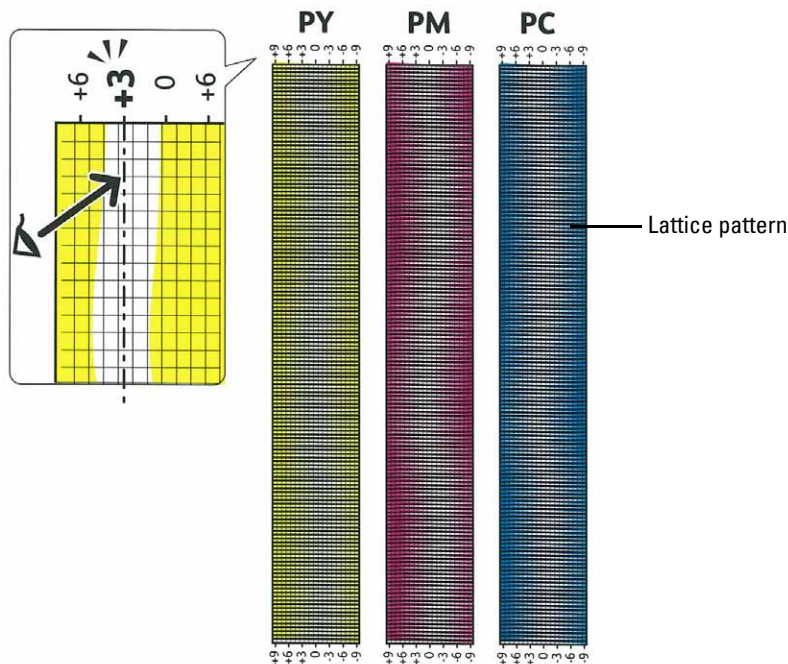
NOTE: If it is difficult to choose only one value, as in the case that there seem to be two values closest to a straight line, take the value between the two. For example, in the figure above, -6 and -8 are the values closest to a straight line, so you would enter the value -7.

Slow Scan

On the Chart 2 of the color registration chart, find the medium line within the range of white area for each color pattern (PY, PM, and PC). If you find the medium line, make a note of the value (-9 to +9) indicated by the medium line for each color.

When the value is 0 for each color, you do not need to adjust the color registration for the slow scan.

When the value is not 0, enter the value using the procedure in "Entering Values."




Entering Values

When Using the Operator Panel

Using the operator panel, enter the values found in the color registration chart to make adjustments.

- 1 Press the (Menu) button.
- 2 Press the button until Admin Settings is highlighted, and then press the (Set) button.
- 3 Press the button until Maintenance is highlighted, and then press the (Set) button.
- 4 Press the button until Color Reg Adjust is highlighted, and then press the (Set) button.
- 5 Press the button until Enter Number is highlighted, and then press the (Set) button.
- 6 Ensure that LY is highlighted and press the or button to specify the values.
- 7 Press the button to move the highlight to the next value.
- 8 Press the (Set) button.
RY is highlighted.
- 9 Repeat steps 6 to 8 to enter the desired values, and then press the (Set) button.

 **NOTE:** You can specify each value for process, left, and right colors (LY, LM, LC, RY, RM, RC, PY, PM, and PC) by repeating the steps 6 to 8.

 **NOTE:** The registration values are always shown as 0 the next time you enter the menu.

10 Press the \wedge button until **Color Regi Chart** is highlighted, and then press the \checkmark (Set) button.

11 Press the \wedge button until **Yes** is highlighted, and then press the \checkmark (Set) button.


The color registration chart with the new values is printed.

If the straightest line is not at the value of 0, adjust the values again. Checking the charts before and after the adjustments will help you to determine the values to enter.

When Using the Tool Box

Using the **Tool Box**, enter the values that you found in the color registration chart to make adjustments.

1 Click **Start**→ **All Programs**→ **Dell Printers**→ **Dell C3760 Color Laser Printer**→ **Tool Box**.

 **NOTE:** For details about starting the **Tool Box**, see "Starting the Tool Box."

The **Tool Box** opens.

2 Click the **Printer Maintenance** tab.

3 Select **Maintenance** from the list at the left side of the page.

The **Maintenance** page is displayed.


4 Specify each value for process, left, and right colors in **Registration Adjustments** under **Manual Registration Adjustments**, and then click **Apply New Settings**.

5 Click **Start** next to **Print Color Regi Chart** under **Color Registration Adjustments**.

The color registration chart is printed with the new values.

6 Adjust till all straight lines are at the value of 0. Show image of before and after adjustment will help.

After printing the color registration chart, do not turn off the printer until the printer motor has stopped running.

 **NOTE:** If 0 is not next to the straightest lines, determine the values and adjust the printer again.

Removing Options

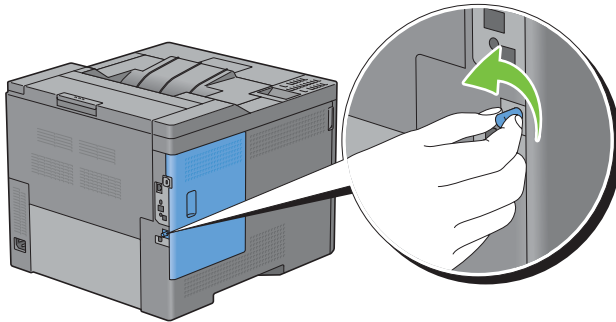
If the printer location needs to change or the printer and print media handling options need to be shipped to a new location, all print media handling options must be removed from the printer. For shipping, pack the printer and print media handling options securely to avoid damage.

 **NOTE:** The images used in this manual are those of the Dell™ C3760dn Color Laser Printer unless otherwise mentioned.

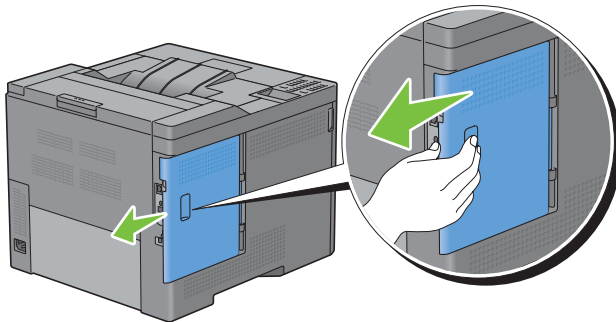
Removing the Optional Memory Module

 **WARNING:** When you remove the optional memory module, be sure to turn off the printer, unplug the power cable, and disconnect all cables from the back of the printer before starting these tasks.

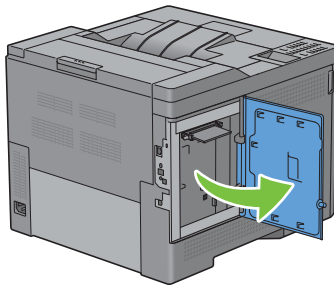
- 1 Ensure that the printer is turned off.
- 2 Turn the screw on the left side cover counterclockwise.



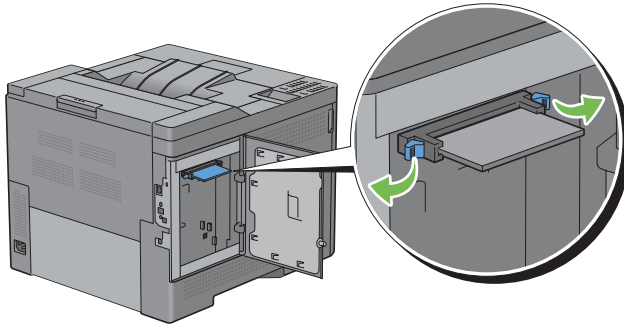
- 3 Slide the left side cover towards the back of the printer.



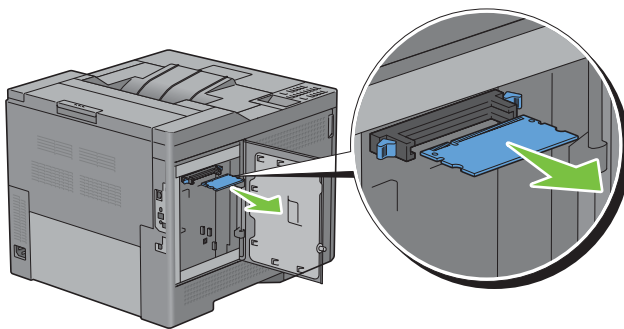
- 4 Open the left side cover completely.



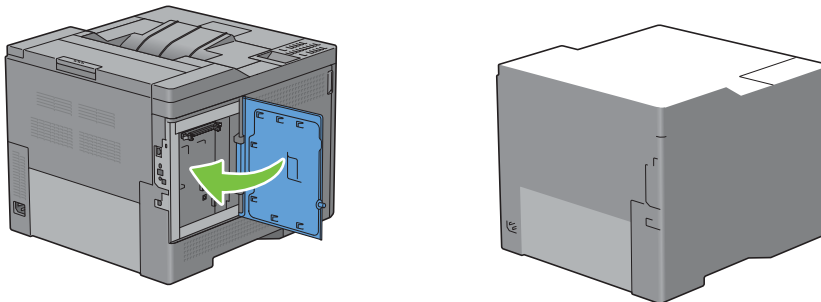
- 5 Push the clips on both sides of the slot outward to raise the memory module up.



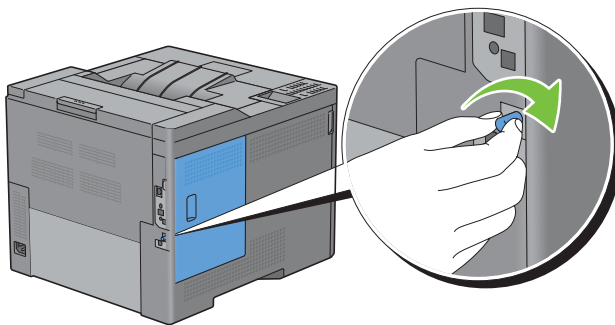
- 6 Hold the memory module and pull it straight out.



- 7 Close the left side cover, and then slide it towards the front of the printer.



- 8 Turn the screw clockwise.

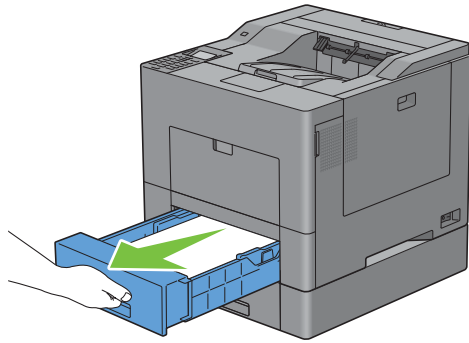


- 9 Turn on the printer.

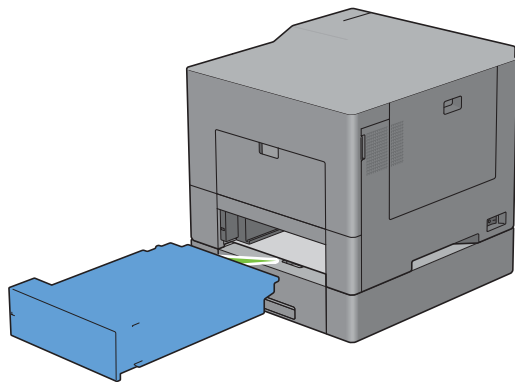
Removing the Optional 550-Sheet Feeder

⚠ WARNING: When you remove the optional 550-sheet feeder (Tray2), be sure to turn off the printer, unplug the power cable, and disconnect all cables from the back of the printer before starting these tasks.

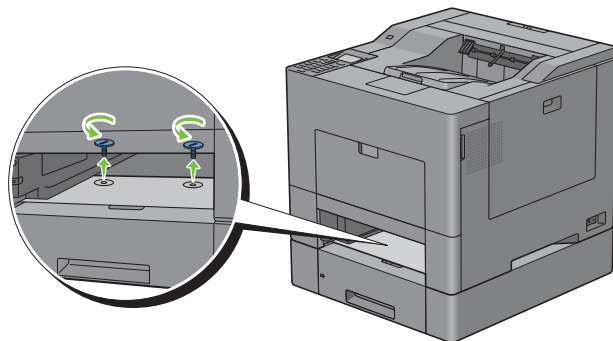
- 1 Ensure that the printer is turned off, and then disconnect all cables from the back of the printer.
- 2 Pull the tray1 out of the printer about 200 mm.



- 3 Hold tray1 with both hands, and remove it from the printer.

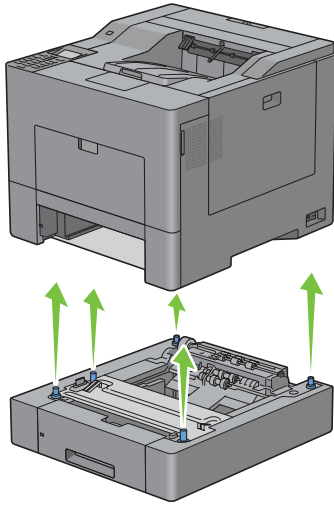


- 4 Remove the two screws joining the printer and the optional 550-sheet feeder by unscrewing them with a coin or similar object.

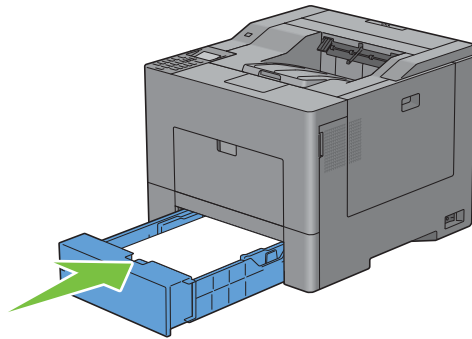


5 Gently lift the printer off the optional 550-sheet feeder, and place it on a level surface.

 **WARNING:** Two people are required to lift the printer.



6 Insert the tray into the printer, and push until it stops.



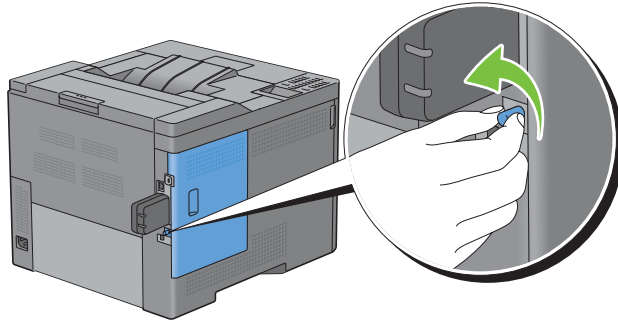
 **CAUTION:** Do not use excessive force on the tray. Doing so could damage the tray or the inside of the printer.

7 Re-connect all cables into the back of the printer and turn on the printer.

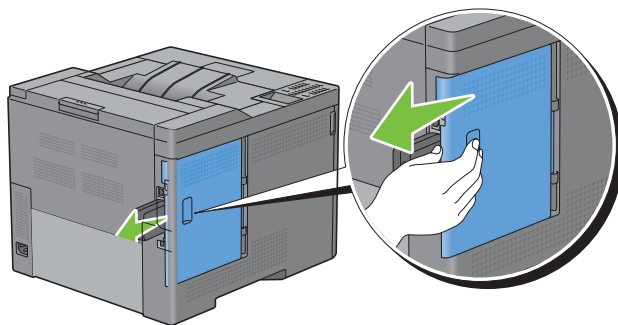
Removing the Optional Wireless Adapter

⚠ WARNING: When you remove the optional wireless adapter, be sure to turn off the printer, unplug the power cable, and disconnect all cables from the back of the printer before starting these tasks.

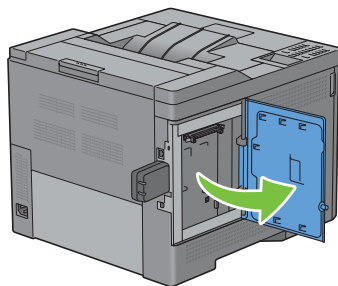
- 1 Ensure that the printer is turned off.
- 2 Turn the screw on the left side cover counterclockwise to remove it.



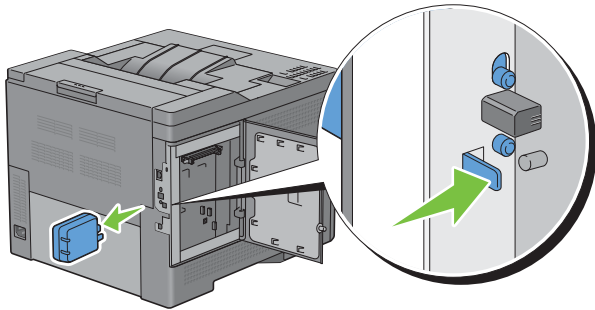
- 3 Slide the left side cover towards the back of the printer.



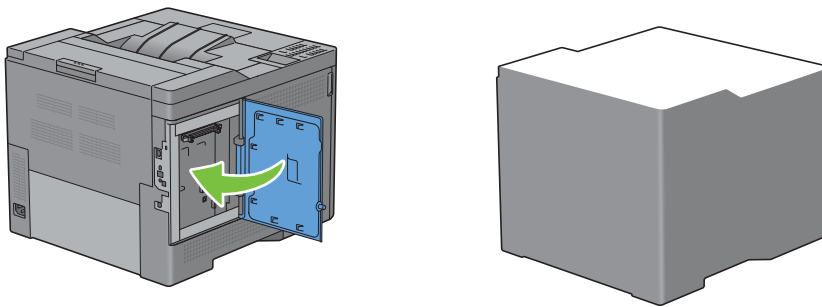
- 4 Open the left side cover completely.



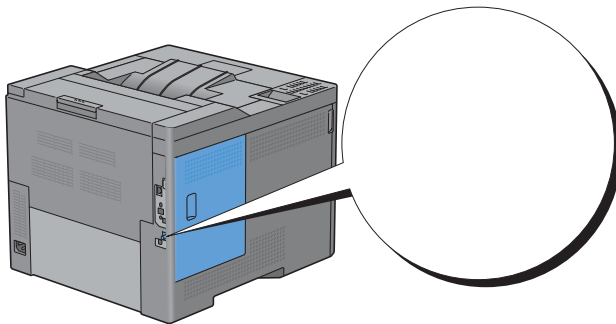
- 5 Remove the wireless adapter from the printer by releasing the adapter's hook while pushing the wireless adapter towards the front of the printer.



- 6 Close the left side cover, and then slide it towards the front of the printer.



- 7 Turn the screw clockwise.

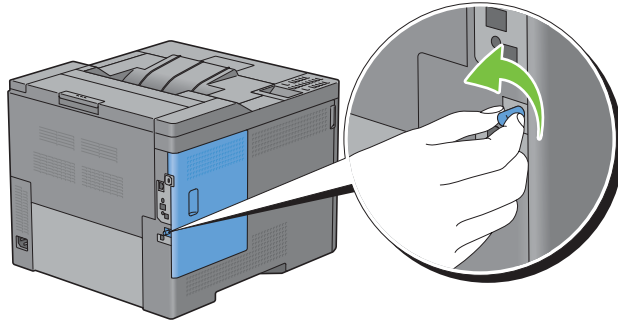


- 8 Turn on the printer.

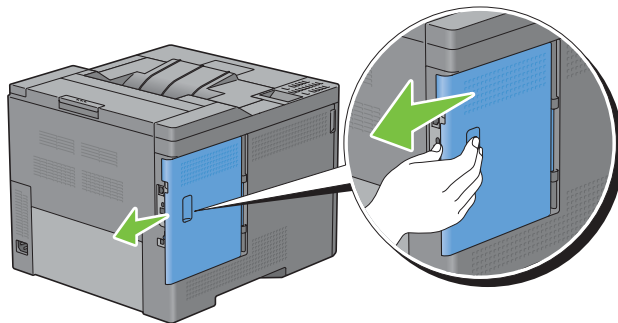
Removing the Optional Hard Disk

⚠ WARNING: When you remove the optional wireless adapter, be sure to turn off the printer, unplug the power cable, and disconnect all cables from the back of the printer before starting these tasks.

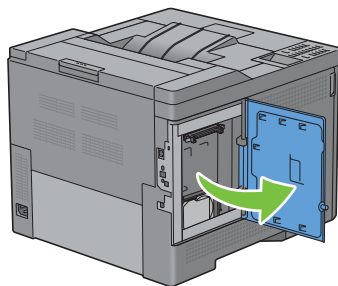
- 1 Ensure that the printer is turned off.
- 2 Turn the screw on the control board counterclockwise



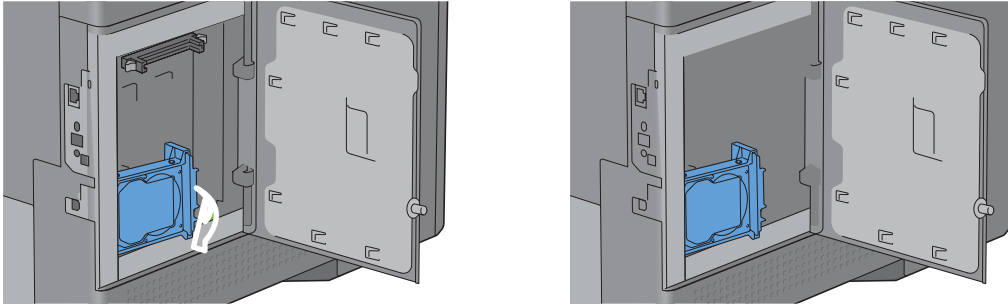
- 3 Slide the left side cover towards the back of the printer.



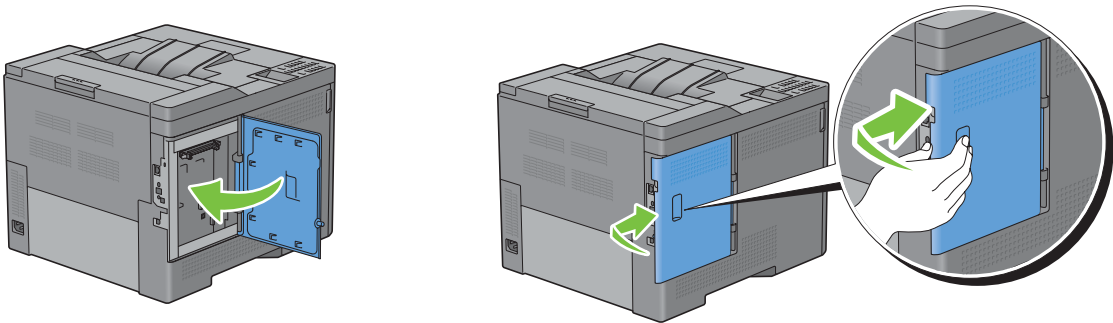
- 4 Open the left side cover completely.



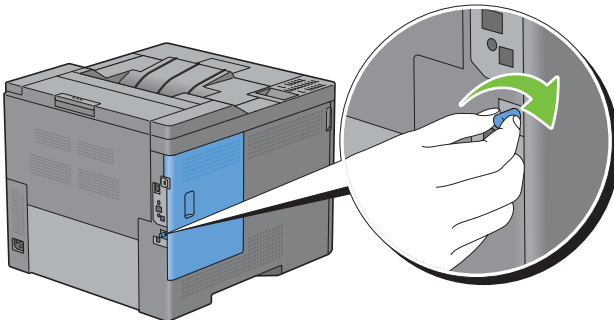
- 5 Remove the hard disk from the printer by releasing the hook of hard disk.



- 6 Close the left side cover, and then slide it towards the front of the printer.



- 7 Turn the screw clockwise.




- 8 Turn on the printer.

Clearing Jams

Careful selection of appropriate print media and proper loading allow you to avoid paper jams. See "Print Media Guidelines" for more information.

 **NOTE:** The images used in this manual are those of the Dell™ C3760dn Color Laser Printer unless otherwise mentioned.

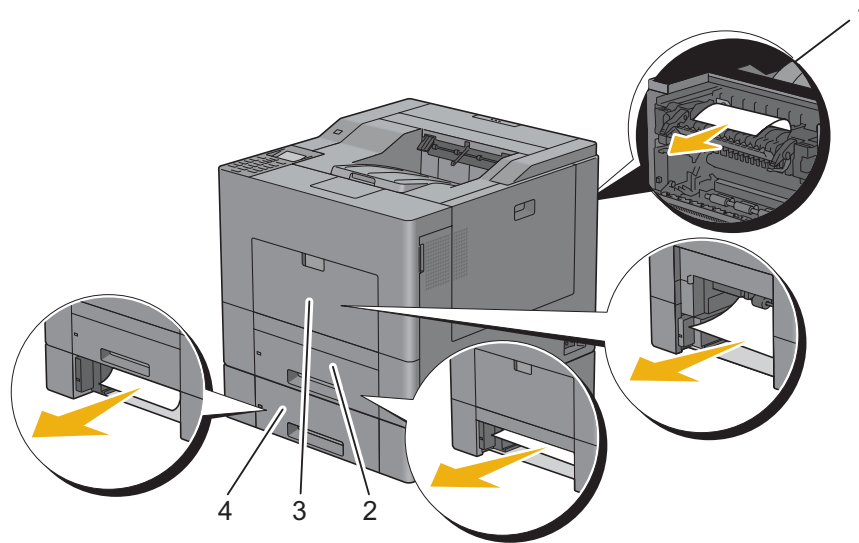
 **NOTE:** Before buying large quantities of any print media, it is recommended to try a sample first.

Avoiding Jams

- Use only recommended print media. See "Print Media Guidelines" for more information.
- See "Loading Print Media in Tray1 and the Optional 550-Sheet Feeder" and "Loading Print Media in the MPF" to load print media properly.
- Do not overload the print media sources. Ensure that the print media stack height does not exceed the maximum height indicated by the load-line labels in the tray.
- Do not load wrinkled, creased, damp, or curled print media.
- Flex, fan, and straighten print media before you load it. If a jam occurs with print media, try feeding one sheet at a time through the multipurpose feeder (MPF).
- Do not use print media that you have cut or trimmed yourself.
- Do not mix print media sizes, weights, or types in the same print media source.
- Ensure that the recommended print side is face up when you insert the print media.
- Keep print media stored in an acceptable environment. For more information, see "Storing Print Media."
- Do not remove the feeding tray during a print job.
- Push tray1 or the optional 550-sheet feeder (tray2) in firmly after loading.
- Ensure that all cables that connect to the printer are correctly attached.
- Overtightening the guides may cause jams.
- Wipe the retard rollers in the tray or MPF with a cloth that is slightly dampened with water if jams caused by misfeeding paper occur frequently.

Identifying the Location of Paper Jams

⚠ WARNING: Do not attempt to clear any jams using tools or instruments. This may permanently damage the printer.
The following illustration shows where paper jams may occur along the print media path.



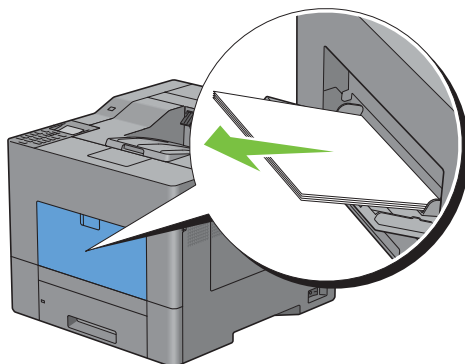
1	Fusing Unit
2	Tray 1
3	MPF
4	Optional 550-Sheet Feeder

Clearing Paper Jams From the MPF

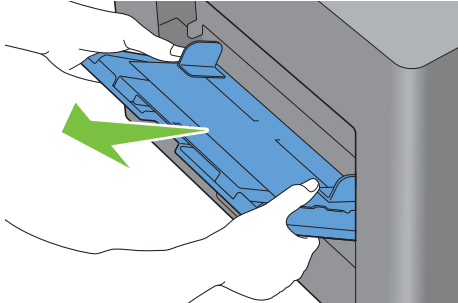
✎ NOTE: To resolve the error displayed on the LCD panel, you must clear all print media from the print media path.

If error code: 050-112 appears:

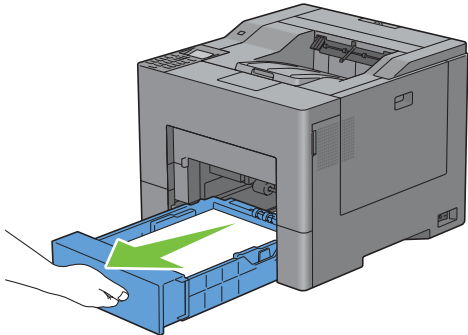
- 1 Remove any paper loaded on the MPF



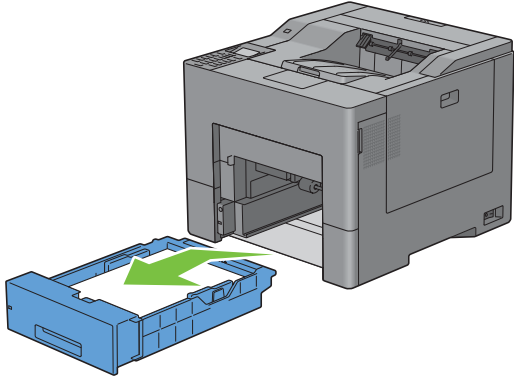
2 Grasp both sides of the MPF, and then pull it out of the printer.



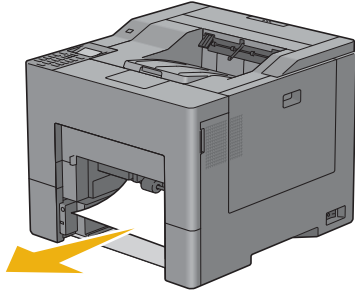
3 Pull tray1 out of the printer about 200 mm.



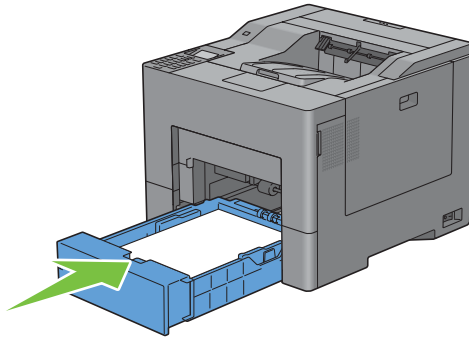
4 Hold tray1 with both hands, and remove it from the printer.



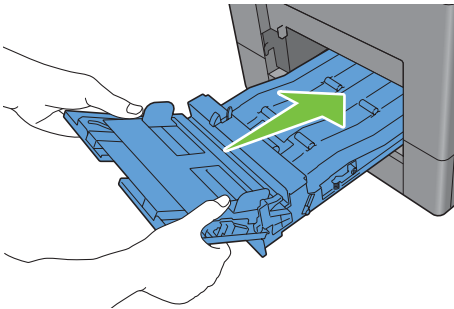
- 5 Remove the jammed paper.



- 6 Insert tray1 into the printer, and push until it stops.



- 7 Insert the MPF into the printer.



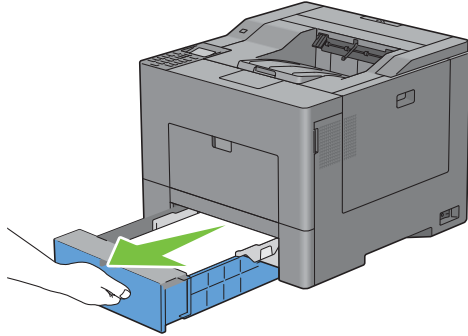
If error code: 050-129 appears:

Follow the instructions in "If error code: 050-129 appears:" to clear paper jams.

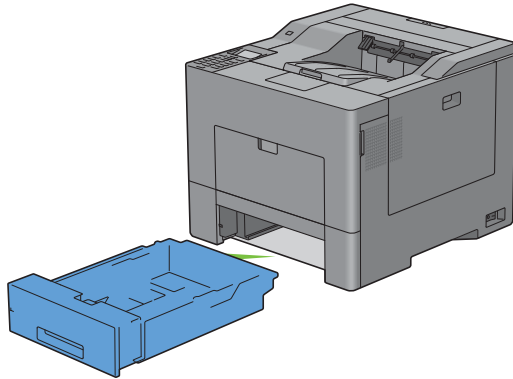
Clearing Paper Jams From Tray1

 **NOTE:** To resolve the error displayed on the LCD panel, you must clear all print media from the print media path.

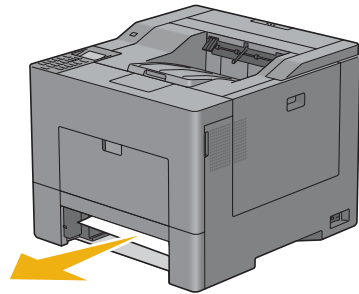
- 1 Pull tray1 out of the printer about 200 mm.



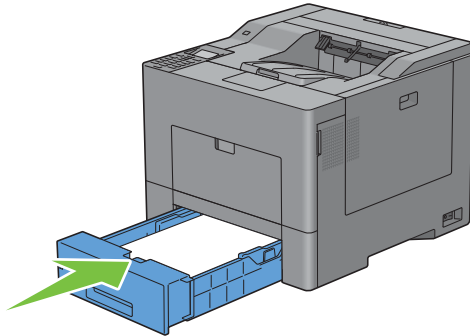
- 2 Hold tray1 with both hands, and remove it from the printer.



- 3 Remove the jammed paper.



- 4 Insert tray1 into the printer, and push until it stops.



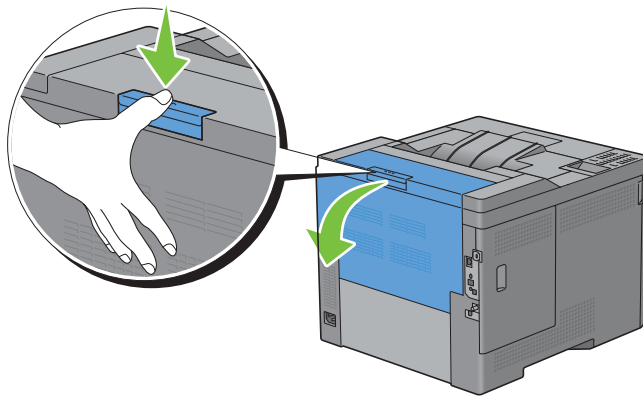
- 5 Press the ✓ (Set) button.

Clearing Paper Jams From the Fusing Unit

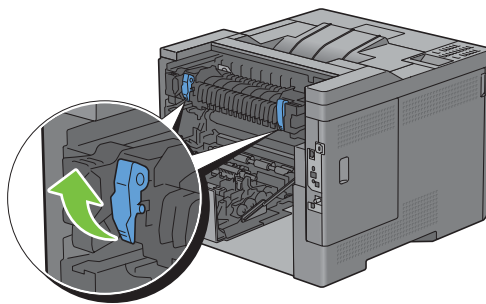
NOTE: To resolve the error displayed on the LCD panel, you must clear all print media from the print media path.

If error code: 050-111 appears:

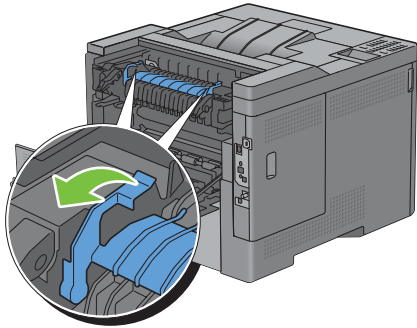
- 1 Push down the latch to open the rear cover.



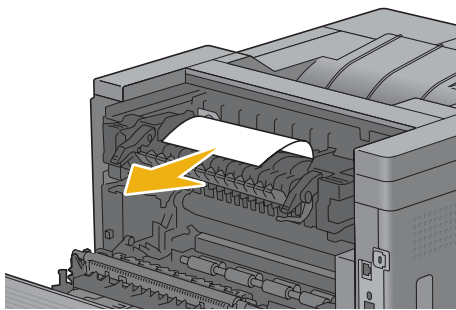
- 2 Lift the levers on both sides of the fusing unit.



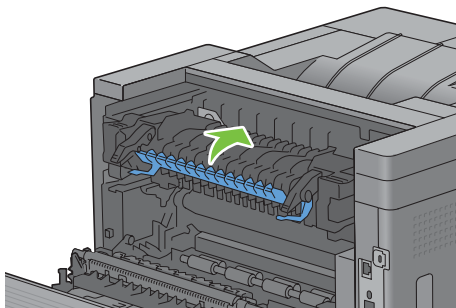
- 3 Hold and lower the tab to open the inner part.



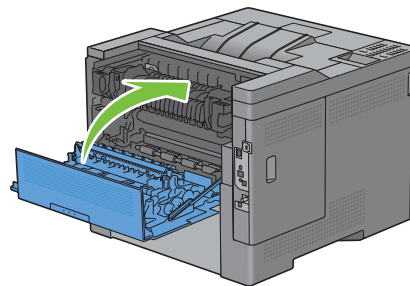
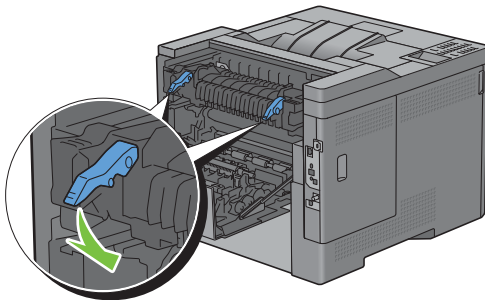
- 4 Remove the jammed paper.



- 5 Replace the inner part.

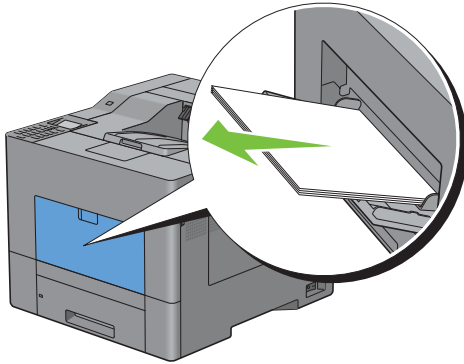


- 6 Press down the levers on both sides of the fusing unit, and then close the rear cover.

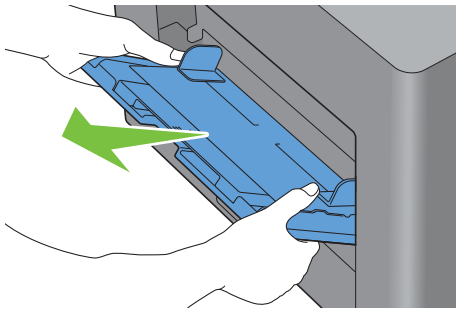


If error code: 050-129 appears:

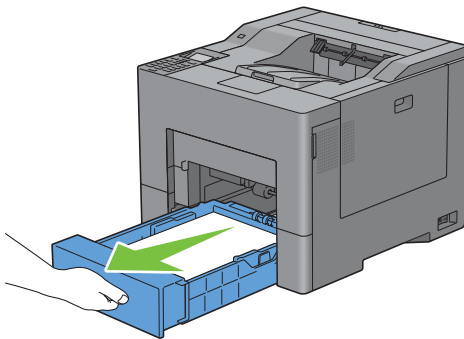
- 1 Remove any paper loaded on the MPF



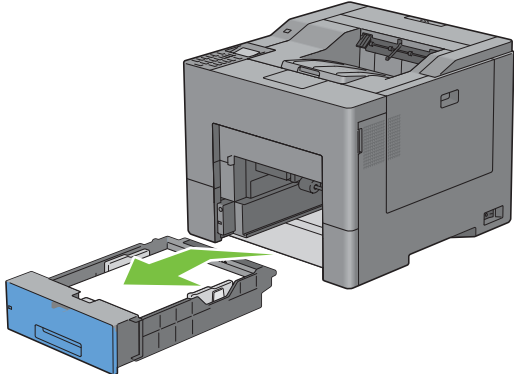
- 2 Grasp both sides of the MPF, and then pull it out of the printer.



- 3 Pull tray1 out of the printer about 200 mm.

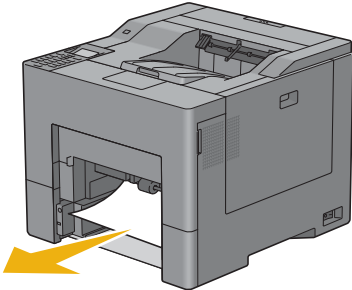


4 Hold tray1 with both hands, and remove it from the printer.

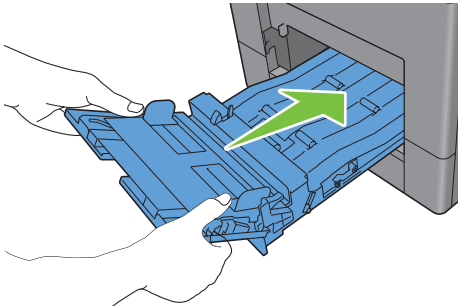
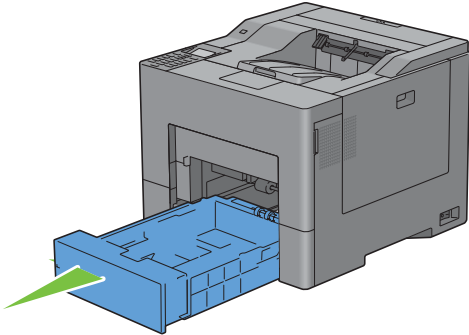


If you can see the jammed paper:

a Remove the jammed paper.



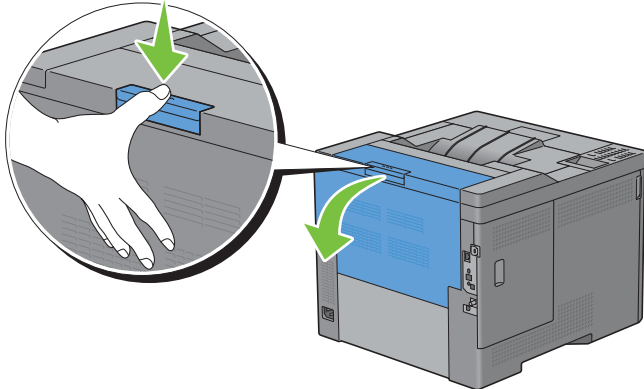
b Reinsert tray1 and the MPF into the printer.



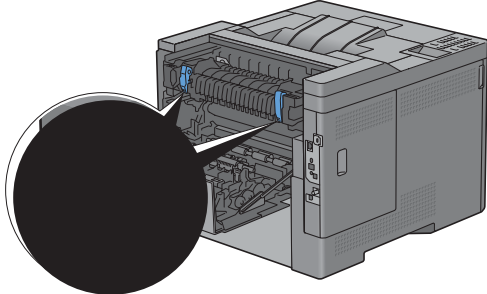
If you cannot see the jammed paper:

a Go to the next step.

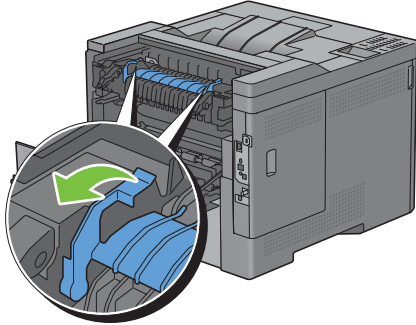
5 Push down the latch to open the rear cover.



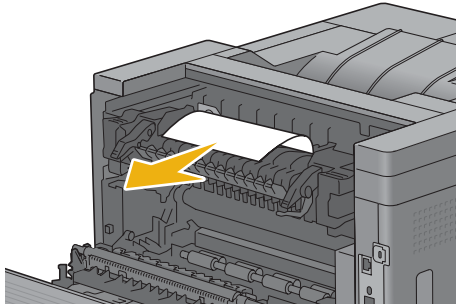
6 Lift the levers on both sides of the fusing unit.



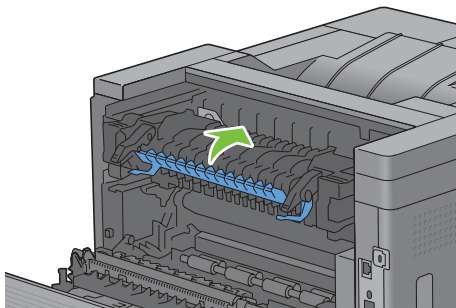
7 Hold and lower the tab to open the inner part.



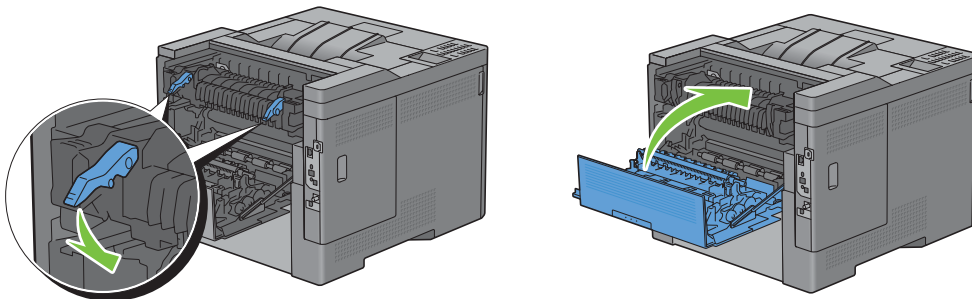
8 Remove the jammed paper.



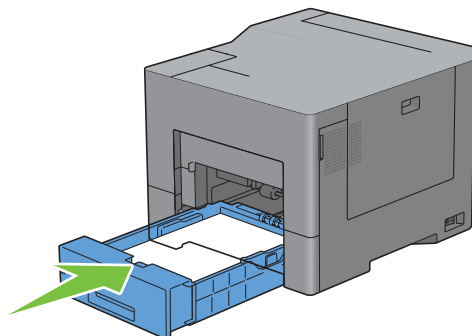
9 Replace the inner part.



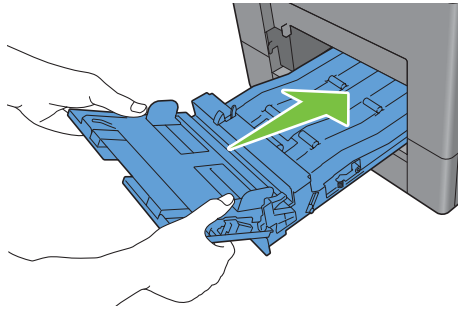
10 Press down the levers on both sides of the fusing unit, and then close the rear cover.



11 Insert tray1 into the printer, and push until it stops.



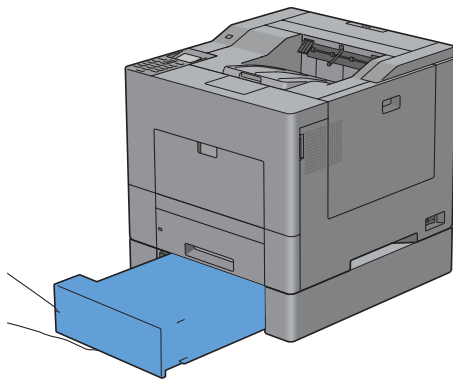
- 12 Insert the MPF into the printer.



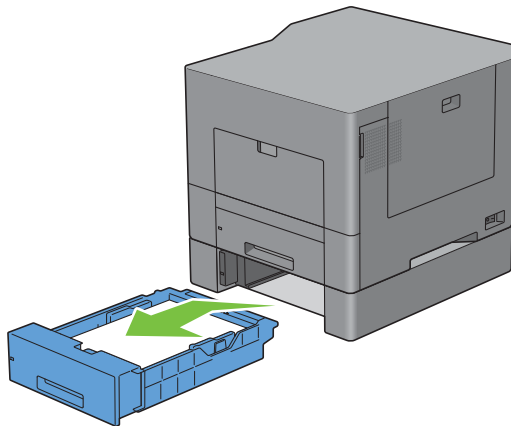
Clearing Paper Jams From the Optional 550-Sheet Feeder

NOTE: To resolve the error displayed on the LCD panel, you must clear all print media from the print media path.

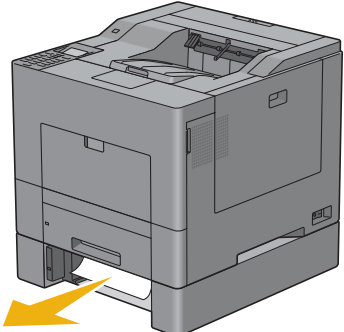
- 1 Pull the optional 550-sheet feeder out of the printer about 200 mm.



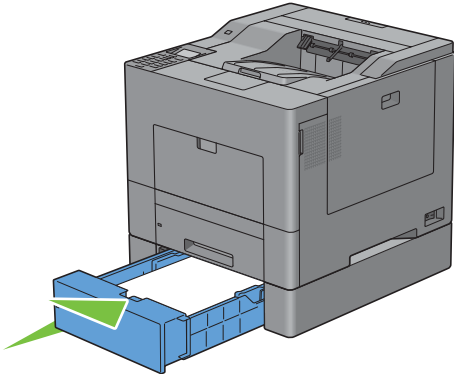
- 2 Hold the optional 550-sheet feeder with both hands, and remove it from the printer.



3 Remove the jammed paper.



4 Insert the optional 550-sheet feeder into the printer, and push until it stops.



Troubleshooting

29 Troubleshooting Guide	371
--------------------------------	-----


Troubleshooting Guide

Basic Printer Problems

Some printer problems can be easily resolved. If a problem occurs with your printer, check each of the following:

- The power cable is plugged into the printer and a properly grounded electrical outlet.
- The printer is turned on.
- The electrical outlet is not turned off at any switch or breaker.
- Other electrical equipment plugged into the outlet is working.
- All options are properly installed.


If you have checked all of the above and still have a problem, turn off the printer, wait for 10 seconds, and then turn on the printer. This often fixes the problem.



 **NOTE:** If error messages are displayed on the LCD panel or on your computer screen, follow the on-screen instructions to resolve the printer problems. For details about error messages and error codes, see "Understanding Printer Messages."

Display Problems

Problem	Action
Menu settings changed from the operator panel have no effect.	Settings in the software program, the printer driver, or the printer utilities are overriding the settings made on the operator panel.

Printing Problems

 **NOTE:** If Panel Lock Control is set to Enable, you need to enter the four digit password to enter the Admin Settings menu.

Problem	Action
Job did not print or incorrect characters printed.	Ensure that the top menu appears on the LCD panel before you send a job to print. Press the  (Menu) button to return to the top menu.
	Ensure that the print media is loaded in the printer. Press the  (Menu) button to return to the top menu.
	Verify that the printer is using the correct page description language (PDL).
	Verify that you are using the correct printer driver.
	Ensure that the correct USB or Ethernet cable is securely connected to the printer.
	Verify that the correct print media size is selected.
	If you are using a print spooler, verify that the spooler has not stalled.
	Check the printer's interface from the Admin Settings.
Determine the host interface you are using. Print a panel settings report to verify that the current interface settings are correct.	

Problem	Action
Print media misfeeds or multiple feeds occur.	<p>Ensure that the print media you are using meets the specifications for your printer. See "Supported Paper Types" for more information.</p> <p>Fan the print media before loading it.</p> <p>Ensure that the print media is loaded correctly.</p> <p>Ensure that the width and length guides of the print media sources are adjusted correctly.</p> <p>Ensure that tray1, the optional 550-sheet feeder (tray2), or the multi-purpose feeder (MPF) unit is securely inserted.</p> <p>Do not overload tray1, the optional 550-sheet feeder, or the MPF.</p> <p>Do not force print media into the MPF when you load it; otherwise, it may skew or buckle.</p> <p>Ensure that the print media is not curled.</p> <p>Face the recommended print side up. See "Loading Print Media in Tray1 and the Optional 550-Sheet Feeder" for more information.</p> <p>Turn the print media over or around and try printing again to see if feeding improves.</p> <p>Do not mix print media types.</p> <p>Do not mix reams of print media.</p> <p>Remove the top and bottom curled sheets of a ream before loading the print media.</p> <p>Load print media only when tray1, the optional 550-sheet feeder, or the MPF is empty.</p> <p>Wipe the retard rollers in tray1, the optional 550-sheet feeder, or the MPF with a cloth moistened with water.</p>
The envelope is creased after printed.	Make sure that the envelope is loaded in the MPF as instructed in "Loading an Envelope in the MPF."
Page breaks in unexpected places.	Increase the value for Time-Out using the operator panel, the Tool Box , or Dell™ Printer Configuration Web Tool .
Print media does not stack neatly in the output tray.	Turn the print media stack over in tray1 or the MPF.
Cannot perform manual duplex printing.	Select Flip on Short Edge or Flip on Long Edge from the Duplex drop-down menu on the General tab in the printer driver.
Cannot print from tray1 or the optional 550-sheet feeder because the print media in tray1 or the optional 550-sheet feeder is curled.	Load the print media into the MPF.

Print Quality Problems

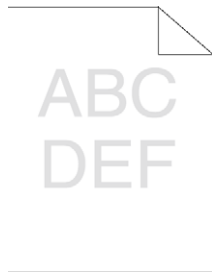


NOTE: Some of the following procedures that use the **Tool Box** can also be performed using the operator panel or **Dell Printer Configuration Web Tool**. For information on how to use the operator panel and **Dell Printer Configuration Web Tool**, see "Understanding the Printer Menus" and "Dell™ Printer Configuration Web Tool."

- The output is too light
- Toner smears or print comes off
- Random spots/Blurred images
- The entire output is blank

- Streaks appear on the output
- Part or the entire output is black
- Pitched color dots
- Vertical blanks
- Ghosting
- Light-induced fatigue
- Fog
- Bead-Carry-Out (BCO)
- Jagged characters
- Banding
- Auger mark
- Wrinkled/Stained paper
- Damage on the leading edge of paper

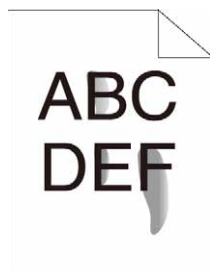
The output is too light



Action	Yes	No
<p>1 The toner cartridges may be low or need to be replaced. Confirm the amount of toner left in each toner cartridge.</p> <ul style="list-style-type: none"> a Check the toner level in the Status tab in the Status Monitor. b Replace the toner cartridges as necessary. <p>Does this solve your problem?</p>	The task is complete.	Go to action 2.
<p>2 If you are using non-Dell brand toner cartridges, enable the Non-Dell Toner option.</p> <ul style="list-style-type: none"> a Launch the Tool Box, and click Maintenance on the Printer Maintenance tab. b Ensure that the On check box under Non-Dell Toner is selected. <p>Does this solve your problem?</p>	The task is complete.	Go to action 3.
<p>3 Disable the Toner Saver in the printer driver.</p> <ul style="list-style-type: none"> a On the Others tab, ensure that Off is selected in the Toner Saver drop-down menu. <p>Does this solve your problem?</p>	The task is complete.	Go to action 4.

Action	Yes	No
<p>4 The print media surface may be uneven. Try changing the Paper Type setting in the printer driver. For example, change the plain paper to thick.</p> <p>a On the General tab, change the Paper Type setting.</p> <p>Does this solve your problem?</p>	The task is complete.	Go to action 5.
<p>5 Verify that the correct print media is being used. See "Supported Paper Types." If not, use the print media recommended for the printer.</p> <p>Does this solve your problem?</p>	The task is complete.	Go to action 6.
<p>6 Clean inside the printer by using the cleaning rod. See "Cleaning the Raster Optical Scanner (ROS) Window."</p> <p>a After the cleaning is completed, click Chart Print on the Diagnosis tab.</p> <p>b Click Pitch Configuration Chart.</p> <p>The Pitch Configuration Chart is printed.</p> <p>Does this solve your problem?</p>	The task is complete.	Go to action 7.
<p>7 Replace the drum cartridges.</p> <p>a Replace the drum cartridges. See "Replacing the Drum Cartridges."</p> <p>b After you replace the drum cartridges, click Chart Print on the Diagnosis tab.</p> <p>c Click 4 Colors Configuration Chart.</p> <p>The 4 Colors Configuration Chart is printed.</p> <p>Does this solve your problem?</p>	The task is complete.	Contact Dell.

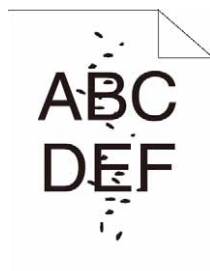
Toner smears or print comes off



Action	Yes	No
<p>1 The print media surface may be uneven. Try changing the Paper Type setting in the printer driver. For example, change the plain paper to thick.</p> <p>a On the General tab, change the Paper Type setting.</p> <p>Does this solve your problem?</p>	The task is complete.	Go to action 2.
<p>2 Verify that the correct print media is being used. See "Supported Paper Types." If not, use the print media recommended for the printer.</p> <p>Does this solve your problem?</p>	The task is complete.	Go to action 3.

Action	Yes	No
<p>3 Replace the drum cartridges.</p> <ul style="list-style-type: none"> a Replace the drum cartridges. See "Replacing the Drum Cartridges." b After you replace the drum cartridges, test print your document again. <p>Does this solve your problem?</p>	The task is complete.	Go to action 4.
<p>4 Replace the fusing unit.</p> <ul style="list-style-type: none"> a Replace the fusing unit. See "Replacing the Fusing Unit." b After you replace the fusing unit, click Chart Print on the Diagnosis tab. c Click Pitch Configuration Chart. <p>The Pitch Configuration Chart is printed.</p> <p>Does this solve your problem?</p>	The task is complete.	Go to action 5.
<p>5 Replace the transfer belt unit, the 2nd Belt Transfer Roller (2nd BTR), and the retard roller.</p> <ul style="list-style-type: none"> a Replace the transfer belt unit, the 2nd BTR, and the retard roller. See "Replacing the Transfer Belt Unit, the 2nd Belt Transfer Roller (2nd BTR), and the Retard Roller." b After you replace the transfer belt unit, the 2nd BTR, and the retard roller, click Chart Print on the Diagnosis tab. c Click Pitch Configuration Chart. <p>The Pitch Configuration Chart is printed.</p> <p>Does this solve your problem?</p>	The task is complete.	Contact Dell.

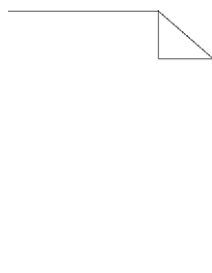
Random spots/Blurred images



Action	Yes	No
<p>1 Ensure that the toner cartridges are installed correctly. See "Installing a Toner Cartridge."</p> <p>Does this solve your problem?</p>	The task is complete.	Go to action 2.
<p>2 Ensure that the drum cartridges are installed correctly. See "Installing a Drum Cartridge."</p> <p>Does this solve your problem?</p>	The task is complete.	Go to action 3.

Action	Yes	No
<p>3 Replace the drum cartridges.</p> <ul style="list-style-type: none"> a Replace the drum cartridges. See "Replacing the Drum Cartridges." b After you replace the drum cartridges, click Chart Print on the Diagnosis tab. c Click Pitch Configuration Chart. <p>The Pitch Configuration Chart is printed.</p> <p>Does this solve your problem?</p>	The task is complete.	Contact Dell.

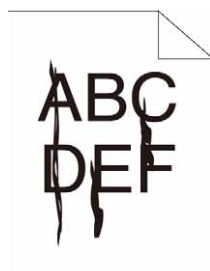
The entire output is blank



Action	Yes	No
<p>1 The toner cartridges may be low or need to be replaced. Confirm the amount of toner left in each toner cartridge.</p> <ul style="list-style-type: none"> a Check the toner level in the Status tab in the Status Monitor. b Replace the toner cartridges as necessary. <p>Does this solve your problem?</p>	The task is complete.	Go to action 2.
<p>2 If you are using non-Dell brand toner cartridges, enable the Non-Dell Toner option.</p> <ul style="list-style-type: none"> a Launch the Tool Box, and click Maintenance on the Printer Maintenance tab. b Ensure that the On check box under Non-Dell Toner is selected. <p>Does this solve your problem?</p>	The task is complete.	Go to action 3.
<p>3 Disable the Toner Saver in the printer driver.</p> <ul style="list-style-type: none"> a On the Others tab, ensure that Off is selected in the Toner Saver drop-down menu. <p>Does this solve your problem?</p>	The task is complete.	Go to action 4.
<p>4 The print media surface may be uneven. Try changing the Paper Type setting in the printer driver. For example, change the plain paper to thick.</p> <ul style="list-style-type: none"> a On the General tab, change the Paper Type setting. <p>Does this solve your problem?</p>	The task is complete.	Go to action 5.
<p>5 Verify that the correct print media is being used. See "Supported Paper Types." If not, use the print media recommended for the printer.</p> <p>Does this solve your problem?</p>	The task is complete.	Go to action 6.

Action	Yes	No
<p>6 Replace the drum cartridges.</p> <ul style="list-style-type: none"> a Replace the drum cartridges. See "Replacing the Drum Cartridges." b After you replace the drum cartridges, click Chart Print on the Diagnosis tab. c Click 4 Colors Configuration Chart. <p>The 4 Colors Configuration Chart is printed.</p> <p>Does this solve your problem?</p>	The task is complete.	Contact Dell.

Streaks appear on the output



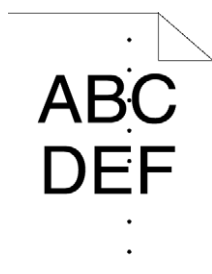
Action	Yes	No
<p>1 The toner cartridges may be low or need to be replaced. Confirm the amount of toner left in each toner cartridge.</p> <ul style="list-style-type: none"> a Check the toner level in the Status tab in the Status Monitor. b Replace the toner cartridges as necessary. <p>Does this solve your problem?</p>	The task is complete.	Go to action 2.
<p>2 If you are using non-Dell brand toner cartridges, enable the Non-Dell Toner option.</p> <ul style="list-style-type: none"> a Launch the Tool Box, and click Maintenance on the Printer Maintenance tab. b Ensure that the On check box under Non-Dell Toner is selected. <p>Does this solve your problem?</p>	The task is complete.	Go to action 3.
<p>3 Replace the drum cartridges.</p> <ul style="list-style-type: none"> a Replace the drum cartridges. See "Replacing the Drum Cartridges." b After you replace the drum cartridges, click Chart Print on the Diagnosis tab. c Click 4 Colors Configuration Chart. <p>The 4 Colors Configuration Chart is printed.</p> <p>Does this solve your problem?</p>	The task is complete.	Contact Dell.

Part or the entire output is black



Action	Yes	No
<p>1 Ensure that the drum cartridges are installed correctly. See "Installing a Drum Cartridge."</p> <p>Does this solve your problem?</p>	The task is complete.	Go to action 2.
<p>2 Ensure Output Color is set to Color in the printer driver.</p> <p>a On the Graphics tab, ensure that Output Color is set to Color.</p> <p>Does this solve your problem?</p>	The task is complete.	Go to action 3.
<p>3 Replace the drum cartridges.</p> <p>a Replace the drum cartridges. See "Replacing the Drum Cartridges."</p> <p>b After you replace the drum cartridges, click Chart Print on the Diagnosis tab.</p> <p>c Click 4 Colors Configuration Chart.</p> <p>The 4 Colors Configuration Chart is printed.</p> <p>Does this solve your problem?</p>	The task is complete.	Contact Dell.

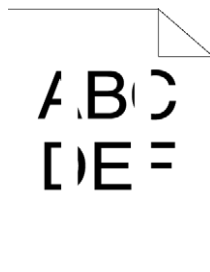
Pitched color dots



Action	Yes	No
<p>1 Locate the cause of the problem using the Pitch Configuration Chart.</p> <p>a Launch the Tool Box, and click Chart Print on the Diagnosis tab.</p> <p>b Click Pitch Configuration Chart.</p> <p>The Pitch Configuration Chart is printed.</p> <p>c Compare the pitch of the color spots on your output with that on the Pitch Configuration Chart, and locate the cause of the problem.</p> <p>Is the cause of the problem located?</p>	<p>Proceed to the action corresponding to the location of the problem:</p> <ul style="list-style-type: none"> • Drum cartridge - 2 • Fusing unit - 3 • Transfer belt unit - 4 	Contact Dell.

Action	Yes	No
<p>2 Replace the drum cartridges.</p> <ul style="list-style-type: none"> a Replace the drum cartridges. See "Replacing the Drum Cartridges." b After you replace the drum cartridges, click Chart Print on the Diagnosis tab. c Click Pitch Configuration Chart. <p>The Pitch Configuration Chart is printed.</p> <p>Does this solve your problem?</p>	The task is complete.	Contact Dell.
<p>3 Replace the fusing unit.</p> <ul style="list-style-type: none"> a Replace the fusing unit. See "Replacing the Fusing Unit." b After you replace the fusing unit, click Chart Print on the Diagnosis tab. c Click Pitch Configuration Chart. <p>The Pitch Configuration Chart is printed.</p> <p>Does this solve your problem?</p>	The task is complete.	Contact Dell.
<p>4 Replace the transfer belt unit, the 2nd BTR, and the retard roller.</p> <ul style="list-style-type: none"> a Replace the transfer belt unit, the 2nd BTR, and the retard roller. See "Replacing the Transfer Belt Unit, the 2nd Belt Transfer Roller (2nd BTR), and the Retard Roller." b After you replace the transfer belt unit, the 2nd BTR, and the retard roller, click Chart Print on the Diagnosis tab. c Click Pitch Configuration Chart. <p>The Pitch Configuration Chart is printed.</p> <p>Does this solve your problem?</p>	The task is complete.	Contact Dell.

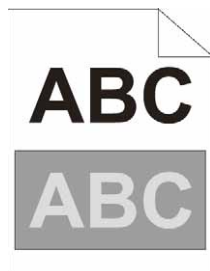
Vertical blanks




Action	Yes	No
<p>1 Clean inside the printer by using the cleaning rod. See "Cleaning the Raster Optical Scanner (ROS) Window."</p> <ul style="list-style-type: none"> a After the cleaning is completed, click Chart Print on the Diagnosis tab. b Click Pitch Configuration Chart. <p>The Pitch Configuration Chart is printed.</p> <p>Does this solve your problem?</p>	The task is complete.	Go to action 2.

Action	Yes	No
<p>2 Ensure the light path is not covered.</p> <ul style="list-style-type: none"> a Remove the drum cartridges, and keep them in the dark place. See "Removing the Drum Cartridge." b Check the light path, and then remove the shielding. c Re-install the drum cartridges. See "Installing a Drum Cartridge." d Launch the Tool Box, and click Chart Print on the Diagnosis tab. e Click Pitch Configuration Chart. <p>The Pitch Configuration Chart is printed.</p> <p>Does this solve your problem?</p>	The task is complete.	Go to action 3.
<p>3 Replace the drum cartridges.</p> <ul style="list-style-type: none"> a Replace the drum cartridges. See "Replacing the Drum Cartridges." b After you replace the drum cartridges, click Chart Print on the Diagnosis tab. c Click Pitch Configuration Chart. <p>The Pitch Configuration Chart is printed.</p> <p>Does this solve your problem?</p>	The task is complete.	Contact Dell.

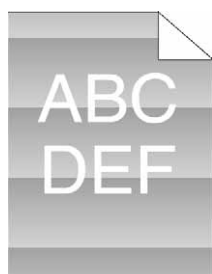
Ghosting



Action	Yes	No
<p>1 Locate the cause of the problem using the Ghost Configuration Chart.</p> <ul style="list-style-type: none"> a Launch the Tool Box, and click Chart Print on the Diagnosis tab. b Click Ghost Configuration Chart. <p>The Ghost Configuration Chart is printed.</p> <p>Is the type of the problem identified?</p>	<p>Proceed to the action corresponding to the type of ghosting.</p> <p>Positive ghost - 2a</p> <p>Negative ghost - 2b</p>	Contact Dell.
<p>2a Replace the drum cartridges.</p> <ul style="list-style-type: none"> a Replace the drum cartridges. See "Replacing the Drum Cartridges." b After you replace the drum cartridges, click Chart Print on the Diagnosis tab. c Click Ghost Configuration Chart. <p>The Ghost Configuration Chart is printed.</p> <p>Does this solve your problem?</p>	The task is complete.	Contact Dell.
<p>2b If you are using non-recommended print media, use the print media recommended for the printer.</p> <p>Does this solve your problem?</p>	The task is complete.	Go to action 3.

Action	Yes	No
<p>3 Adjust the transfer bias.</p> <p>a On the operator panel, press the  (Menu) button and select Admin Settings→Maintenance→Adjust Transfer Belt Unit.</p> <p>b Select K Offset or YMC Offset, and then decrease the value.</p> <p>c Launch the Tool Box, and click Chart Print on the Diagnosis tab.</p> <p>d Click Ghost Configuration Chart.</p> <p>The Ghost Configuration Chart is printed.</p> <p>Does this solve your problem?</p>	The task is complete.	Contact Dell.

Light-induced fatigue



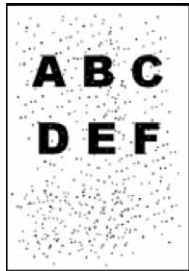
Action	Yes	No
<p>1 Check the light fatigue pattern using the Pitch Configuration Chart.</p> <p>a Launch the Tool Box, and click Chart Print on the Diagnosis tab.</p> <p>b Click Pitch Configuration Chart.</p> <p>The Pitch Configuration Chart is printed.</p> <p>Does the pattern on the output match with that on the Pitch Configuration Chart?</p>	Go to action 2.	Contact Dell.
<p>2 Replace the drum cartridges. See "Replacing the Drum Cartridges."</p> <p>Does this solve your problem?</p>	The task is complete.	Contact Dell.

Fog



Action	Yes	No
1 Replace the drum cartridges. a Replace the drum cartridges. See "Replacing the Drum Cartridges." b After you replace the drum cartridges, click Chart Print on the Diagnosis tab. c Click 4 Colors Configuration Chart . The 4 Colors Configuration Chart is printed. Does this solve your problem?	The task is complete.	Contact Dell.

Bead-Carry-Out (BCO)



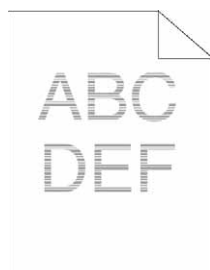
Action	Yes	No
1 If the printer is installed in a high altitude location, set the altitude of the location. a Launch the Tool Box , and click Maintenance on the Printer Maintenance tab. b Under Adjust Altitude , select the value close to the altitude of the location where the printer is installed. Does this solve your problem?	The task is complete.	Go to action 2.
2 Replace the drum cartridges. See "Replacing the Drum Cartridges." Does this solve your problem?	The task is complete.	Contact Dell.

Jagged characters



Action	Yes	No
<p>1 Set Screen to Fineness in the printer driver.</p> <p>a On the Others tab, set Screen under Items: to Fineness.</p> <p>Does this solve your problem?</p>	The task is complete.	Go to action 2.
<p>2 Set Print Mode to High Quality in the printer driver.</p> <p>a On the Graphics tab, select High Quality from Print Mode.</p> <p>Does this solve your problem?</p>	The task is complete.	Go to action 3.
<p>3 Enable Bitmap Smoothing in the printer driver.</p> <p>a On the Others tab, set Bitmap Smoothing under Items: to On.</p> <p>Does this solve your problem?</p>	The task is complete.	Go to action 4.
<p>4 Enable Print Page Mode in the printer driver.</p> <p>a On the Others tab, set Print Page Mode under Items: to On.</p> <p>Does this solve your problem?</p>	The task is complete.	Go to action 5.
<p>5 If using a downloaded font, ensure that the font is recommended for the printer, operating system, and the application being used.</p> <p>Does this solve your problem?</p>	The task is complete.	Contact Dell.

Banding



Action	Yes	No
<p>1 Locate the cause of the problem using the Pitch Configuration Chart.</p> <p>a Launch the Tool Box, and click Chart Print on the Diagnosis tab.</p> <p>b Click Pitch Configuration Chart.</p> <p>The Pitch Configuration Chart is printed.</p> <p>Is the cause of the problem located?</p>	<p>Proceed to the action corresponding to the location of the problem:</p> <ul style="list-style-type: none"> • Drum cartridge - 2 • Fusing unit - 3 • Transfer belt unit - 4 	Contact Dell.

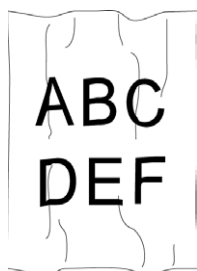
Action	Yes	No
<p>2 Replace the drum cartridges.</p> <p>a Replace the drum cartridges. See "Replacing the Drum Cartridges."</p> <p>b After you replace the drum cartridges, click Chart Print on the Diagnosis tab.</p> <p>c Click Pitch Configuration Chart.</p> <p>The Pitch Configuration Chart is printed.</p> <p>Does this solve your problem?</p>	The task is complete.	Contact Dell.
<p>3 Replace the fusing unit.</p> <p>a Replace the fusing unit. See "Replacing the Fusing Unit."</p> <p>b After you replace the fusing unit, click Chart Print on the Diagnosis tab.</p> <p>c Click Pitch Configuration Chart.</p> <p>The Pitch Configuration Chart is printed.</p> <p>Does this solve your problem?</p>	The task is complete.	Contact Dell.
<p>4 Replace the transfer belt unit, the 2nd BTR, and the retard roller.</p> <p>a Replace the transfer belt unit, the 2nd BTR, and the retard roller. See "Replacing the Transfer Belt Unit, the 2nd Belt Transfer Roller (2nd BTR), and the Retard Roller."</p> <p>b After you replace the transfer belt unit, the 2nd BTR, and the retard roller, click Chart Print on the Diagnosis tab.</p> <p>c Click Pitch Configuration Chart.</p> <p>The Pitch Configuration Chart is printed.</p> <p>Does this solve your problem?</p>	The task is complete.	Contact Dell.

Auger mark



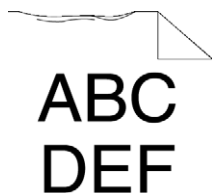
Action	Yes	No
<p>1 Locate the cause of the problem using the Pitch Configuration Chart.</p> <p>a Launch the Tool Box, and click Chart Print on the Diagnosis tab.</p> <p>b Click Pitch Configuration Chart.</p> <p>The Pitch Configuration Chart is printed.</p> <p>Does the output match with the pattern for auger mark?</p>	Go to action 2.	Contact Dell.
<p>2 Replace the drum cartridges. See "Replacing the Drum Cartridges."</p> <p>Does this solve your problem?</p>	The task is complete.	Contact Dell.

Wrinkled/Stained paper




Action	Yes	No
1 Verify that the correct print media is being used. See "Supported Paper Types." If not, use the print media recommended for the printer. Does this solve your problem?	The task is complete.	If printing on an envelope, go to action 2. If printing on print media other than envelopes, contact Dell.
2 Check the wrinkle. Is the wrinkle within 30 mm of the four edges of the envelope?	This type of wrinkle is considered normal. Your printer is not at fault.	Go to action 3.
3 Load the envelopes in the MPF properly. For details, see "Loading an Envelope in the MPF." Does this solve your problem?	The task is complete.	Contact Dell.

Damage on the leading edge of paper



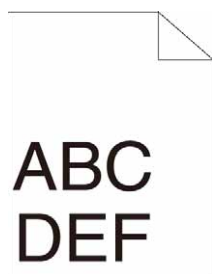
Action	Yes	No
1 When you use the MPF, reverse the paper and then try again. When you use any of the trays, change the paper and then try again. Does this solve your problem?	The task is complete.	(MPF) Go to action 2. (trays) Contact Dell.
2 Change the paper with another one and then try again. Does this solve your problem?	The task is complete.	Go to action 3.
3 Use any of the trays in place of the MPF. Does this solve your problem?	The task is complete.	Contact Dell.

Jam/Alignment Problems

 **NOTE:** Some of the following procedures that use the **Tool Box** can also be performed using the operator panel or **Dell Printer Configuration Web Tool**. For information on how to use the operator panel and **Dell Printer Configuration Web Tool**, see "Understanding the Printer Menus" and "Dell™ Printer Configuration Web Tool."

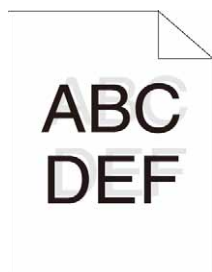
- The top and side margins are incorrect
- Color registration is out of alignment
- Images are skewed
- Tray1/Optional 550-Sheet Feeder Misfeed Jam
- MPF Misfeed Jam
- Regi Jam (Exit Sensor On JAM)
- Exit Jam (Exit Sensor Off JAM)
- Tray1/Optional 550-Sheet Feeder Multi-feed Jam
- MPF Multi-feed Jam

The top and side margins are incorrect




Action	Yes	No
1 Ensure that the margins are set correctly on the application being used. Does this solve your problem?	The task is complete.	Contact Dell.

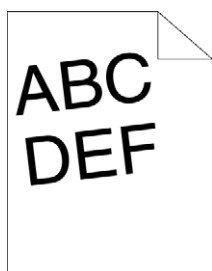
Color registration is out of alignment



Action	Yes	No
1 Adjust the settings of the paper type on the printer driver to those of the tray. Does this solve your problem?	The task is complete.	Go to action 2.

Action	Yes	No
<p>2 Execute auto color registration adjustment.</p> <p>a On the operator panel, press the  (Menu) button and select Admin Settings→Maintenance→Color Reg Adjust→Auto Correct→Start.</p> <p>OR</p> <p>a Launch the Tool Box, and click Maintenance on the Printer Maintenance tab.</p> <p>b Click Start under Auto Correct in Color Registration Adjustments.</p> <p>Does this solve your problem?</p>	The task is complete.	Go to action 3.
<p>3 Do you have spare drum cartridges?</p>	Go to action 4a.	Go to action 4b.
<p>4a Replace the drum cartridges.</p> <p>a Replace the drum cartridges. See "Replacing the Drum Cartridges."</p> <p>b Launch the Tool Box, and click Maintenance on the Printer Maintenance tab.</p> <p>c Click Start under Print Color Regi Chart in Color Registration Adjustments.</p> <p>The Color Regi Configuration Chart is printed.</p> <p>Does this solve your problem?</p>	The task is complete.	Contact Dell.
<p>4b Print the Color Regi Configuration Chart and manually correct the color registration.</p> <p>a Launch the Tool Box, and click Maintenance on the Printer Maintenance tab.</p> <p>b Click Start under Print Color Regi Chart in Color Registration Adjustments.</p> <p>The Color Regi Configuration Chart is printed.</p> <p>c Identify the offset values from the chart and specify each value for process, left, and right colors in Registration Adjustments. See "Adjusting Color Registration" for details.</p> <p>d Click Apply New Settings.</p> <p>e Click Start under Print Color Regi Chart to print the Color Regi Configuration Chart again.</p> <p>Does this solve your problem?</p>	The task is complete.	Contact Dell.

Images are skewed



Action	Yes	No
<p>1 Adjust the paper guides properly.</p> <p>Does this solve your problem?</p>	The task is complete.	Go to action 2.

Action	Yes	No
2 Install the transfer belt unit according to an appropriate procedure. See "Installing a Transfer Belt Unit." Does this solve your problem?	The task is complete.	Contact Dell.

Tray1/Optional 550-Sheet Feeder Misfeed Jam

Action	Yes	No
1 Ensure that tray1 or the optional 550-sheet feeder is properly inserted. Does this solve your problem?	The task is complete.	Proceed to the action corresponding to the type of the print media being used: <ul style="list-style-type: none"> • Thick - 2a • Thin - 2b • Coated - 2c If using paper other than the above, go to action 2d.
2a Use thick paper that is 216 g/m ² or less. Does this solve your problem?	The task is complete.	Go to action 3a.
2b Use thin paper that is 60 g/m ² or more. Does this solve your problem?	The task is complete.	Go to action 3a.
2c Load coated paper one sheet at a time. Does this solve your problem?	The task is complete.	Go to action 3b.
2d Ensure that the print media is not curled. Does this solve your problem?	The task is complete.	Go to action 3a.
2e Is the print media damp?	Go to action 3c.	Go to action 3a.
3a Fan the print media. Does this solve your problem?	The task is complete.	Go to action 3b.
3b Wipe the retard roller in tray1 or the optional 550-sheet feeder with a cloth moistened with water. Does this solve your problem?	The task is complete.	Go to action 4b.
3c Turn over the print media. Does this solve your problem?	The task is complete.	Go to action 4a.
4a Use print media that is not damp. Does this solve your problem?	The task is complete.	Go to action 3a.
4b Replace the drum cartridges. Does this solve your problem?	The task is complete.	Contact Dell.

MPF Misfeed Jam

Action	Yes	No
1 Ensure that the MPF is properly inserted. Does this solve your problem?	The task is complete.	Proceed to the action corresponding to the type of the print media being used: <ul style="list-style-type: none"> • Thick - 2a • Thin - 2b • Coated - 2c • Envelope - 2d If performing manual duplex printing, go to action 2e. If using paper other than the above or if not performing manual duplex printing, go to action 2f.
2a Use thick paper that is 216 g/m ² or less. Does this solve your problem?	The task is complete.	Go to action 3a.
2b Use thin paper that is 60 g/m ² or more. Does this solve your problem?	The task is complete.	Go to action 3a.
2c Load coated paper one sheet at a time. Does this solve your problem?	The task is complete.	Go to action 3b.
2d Ensure that the envelope is properly loaded in the MPF as instructed in "Loading an Envelope in the MPF." Does this solve your problem?	The task is complete.	Go to action 3c.
2e Ensure that the print media is not curled.	The task is complete.	Go to action 3a.
2f Is the print media damp?	Go to action 3d.	Go to action 3a.
3a Fan the print media. Does this solve your problem?	The task is complete.	Go to action 3b.
3b Wipe the retard roller in the MPF with a cloth moistened with water. Does this solve your problem?	The task is complete.	Go to action 4b.
3c If the envelope is deformed, correct it or use another envelope. Does this solve your problem?	The task is complete.	Go to action 3a.
3d Turn over the print media. Does this solve your problem?	The task is complete.	Go to action 4a.
4a Use print media that is not damp. Does this solve your problem?	The task is complete.	Go to action 3a.
4b Replace the drum cartridges. Does this solve your problem?	The task is complete.	Contact Dell.

Regi Jam (Exit Sensor On JAM)

Action	Yes	No
1 Ensure that the drum cartridges are installed correctly. Does this solve your problem?	The task is complete.	Go to action 2.
2 Replace the drum cartridges. See "Replacing the Drum Cartridges." Does this solve your problem?	The task is complete.	Go to action 3.
3 Ensure that the fusing unit is set properly. Does this solve your problem?	The task is complete.	Go to action 4.
4 Replace the fusing unit. a Replace the fusing unit. See "Removing the Fusing Unit." b After you replace the fusing unit, click Chart Print on the Diagnosis tab. c Click Pitch Configuration Chart . The Pitch Configuration Chart is printed. Does this solve your problem?	The task is complete.	Go to action 5.
5 Ensure that the transfer belt unit is installed correctly. Does this solve your problem?	The task is complete.	Go to action 6.
6 Replace the transfer belt unit, the 2nd BTR, and the retard roller. a Replace the transfer belt unit, the 2nd BTR, and the retard roller. See "Replacing the Transfer Belt Unit, the 2nd Belt Transfer Roller (2nd BTR), and the Retard Roller." b After you replace the transfer belt unit, the 2nd BTR, and the retard roller, click Chart Print on the Diagnosis tab. c Click Pitch Configuration Chart . The Pitch Configuration Chart is printed. Does this solve your problem?	The task is complete.	Contact Dell.

Exit Jam (Exit Sensor Off JAM)

Action	Yes	No
1 Ensure the fusing unit is installed correctly. Does this solve your problem?	The task is complete.	Go to action 2.
2 Replace the fusing unit. a Replace the fusing unit. See "Replacing the Fusing Unit." b After you replace the fusing unit, click Chart Print on the Diagnosis tab. c Click Pitch Configuration Chart . The Pitch Configuration Chart is printed. Does this solve your problem?	The task is complete.	Contact Dell.

Tray1/Optional 550-Sheet Feeder Multi-feed Jam

Action	Yes	No
1 Ensure that tray1 or the optional 550-sheet feeder is properly inserted. Does this solve your problem?	The task is complete.	If using coated paper, go to action 2. If using other type of print media, go to action 3.
2 Load coated paper one sheet at a time. Does this solve your problem?	The task is complete.	Go to action 4.
3 Use print media that is not damp. Does this solve your problem?	The task is complete.	Go to action 4.
4 Fan the print media. Does this solve your problem?	The task is complete.	Go to action 5.
5 Wipe the retard roller in tray1 or the optional 550-sheet feeder where the multi-feed occurred with a cloth moistened with water. Does this solve your problem?	The task is complete.	Contact Dell.

MPF Multi-feed Jam

1 Ensure the media type you are using. If using coated paper, go to action 2. If using other type of print media, go to action 3.	-	-
2 Load coated paper one sheet at a time. Does this solve your problem?	The task is complete.	Go to action 4.
3 Use print media that is not damp. Does this solve your problem?	The task is complete.	Go to action 4.
4 Fan the print media. Does this solve your problem?	The task is complete.	Go to action 5.
5 Wipe the retard roller in the MPF where the multi-feed occurred with a cloth moistened with water. Does this solve your problem?	The task is complete.	Contact Dell.

Noise

Action	Yes	No
1 To specify the cause of the noise, perform the Auto Registration Adjustment. Does this solve your problem?	The task is complete.	Go to action 2.

2	<p>Replace the transfer belt unit, the 2nd BTR, and the retard roller.</p> <ul style="list-style-type: none"> a Replace the transfer belt unit, the 2nd BTR, and the retard roller. See "Replacing the Transfer Belt Unit, the 2nd Belt Transfer Roller (2nd BTR), and the Retard Roller." b After you replace the transfer belt unit, the 2nd BTR, and the retard roller, click Chart Print on the Diagnosis tab. c Click Pitch Configuration Chart. <p>The Pitch Configuration Chart is printed.</p> <p>Does this solve your problem?</p>	The task is complete.	Go to action 3.
3	<p>Replace the fusing unit.</p> <ul style="list-style-type: none"> a Replace the fusing unit. See "Replacing the Fusing Unit." b After you replace the fusing unit, click Chart Print on the Diagnosis tab. c Click Pitch Configuration Chart. <p>The Pitch Configuration Chart is printed.</p> <p>Does this solve your problem?</p>	The task is complete.	Go to action 4.
4	<p>Replace the waste toner box.</p> <p>Does this solve your problem?</p>	The task is complete.	Go to action 5.
5	<p>Replace the drum cartridges.</p> <p>Does this solve your problem?</p>	The task is complete.	Go to action 6.
6	<p>Replace the toner cartridge (K). See "Replacing the Toner Cartridges."</p>	<p>The task is complete. (The toner cartridge (K) you are using has been damaged. Replace it with a new one.)</p>	Go to action 7.
7	<p>Replace the toner cartridge (Y). See "Replacing the Toner Cartridges."</p>	<p>The task is complete. (The toner cartridge (Y) you are using has been damaged. Replace it with a new one.)</p>	Go to action 8.
8	<p>Replace the toner cartridge (M). See "Replacing the Toner Cartridges."</p>	<p>The task is complete. (The toner cartridge (M) you are using has been damaged. Replace it with a new one.)</p>	Go to action 9.

9	Replace the toner cartridge (C). See "Replacing the Toner Cartridges."	The task is complete. (The toner cartridge (C) you are using has been damaged. Replace it with a new one.)	Contact Dell.
---	------------------------------------------------------------------------	------------------------------------------------------------------------------------------------------------	---------------

Digital Certificate Problem

Symptom	Cause	Action
The LDAP-SSL/TLS Communication setting and the Upload Signed Certificate button are not displayed.	The optional hard disk installed in the printer is not encrypted.	Confirm whether the optional hard disk is connected correctly, and confirm whether Data Encryption is enabled from the operator panel or Dell Printer Configuration Web Tool .
The certificate import button is disabled.	SSL communication is disabled.	Create a self-signed certificate and enable SSL.
The certificate details button is disabled.		
The certificate cannot be imported.	The time setting is incorrect.	Confirm validity period of the certificate as well as the time setting of the device.
	The certificate file is incorrect.	Confirm whether the password is correct.
		Confirm whether the file type is PKCS#7/#12 or x509CACert (extension: p7b/p12/pfx/cer/crt).
	The browser is incorrect.	Use Internet Explorer.
016-404 is displayed when setting the encryption of the optional hard disk to Off.	The optional hard disk is formatted and the certificate data is deleted when setting encryption of the optional hard disk to Off. Since a certificate is required and the security function cannot be enabled when restarting the device afterward, 016-404 is displayed and the security setting must be initialized. The cause is the same when formatting or removing the optional hard disk.	After initializing, import the certificate and enable the security settings again. The action is the same when formatting the optional hard disk.
016-404 is displayed when formatting the optional hard disk.		
Security is set to Off when setting encryption of the optional hard disk to Off.		
Security is set to Off when formatting the optional hard disk.		
A certificate is deleted when setting encryption of the optional hard disk to Off.		
A certificate is deleted when formatting the optional hard disk.		

Symptom	Cause	Action
A certificate cannot be set with "Certificate Details".	The validity period is invalid.	The validity period of the certificate is invalid. Confirm whether the time setting of the machine is correct, and whether the validity period of the certificate has expired.
	The certificate path is invalid.	The certificate chain (path validation) of the imported certificate may not be correctly validated. Confirm whether all of the high-level certificates (Trusted/Intermediate) have been imported and are not deleted, and whether the validity period has expired.
Although a certificate was imported, it is not displayed when selecting with "Local Device".	The type of the certificate is incorrect.	To import a certificate for use with the device (own device), import the secret key and a certificate of the PKCS#12 (p12/pfx) format as a pair.
Server validation is not operating correctly.	The certificate chain is incorrect when importing.	Although importing a root certificate (Trusted) to use for server authentication, an Intermediate certificate may be required when validating the path. When executing a certificate file with the certification authority, create the certificate with a format including all paths and then import that certificate.
Digital Signature cannot be selected with the IPsec setting.	The certificate cannot be associated.	Either the certificate has not been imported or the certificate has not been associated for use with Digital Signature of IPsec. Refer to "Setting the Certificate in the IPsec Digital Signature Mode" to set a certificate of IPsec.

Problems With Installed Optional Accessories

If an option does not operate correctly following installation or stops working:

- Turn off the printer, wait for 10 seconds, and then turn on the printer. If this does not fix the problem, unplug the printer, and check the connection between the option and the printer.
- Print the printer settings report to see if the option is listed in the Installed Options list. If the option is not listed, re-install it. See "Report / List."
- Ensure the option is selected in the printer driver you are using.

The following table lists printer's option and corrective action for related problem. If the suggested corrective action does not correct the problem, call customer service.

Problem	Action
550-sheet feeder	<ul style="list-style-type: none">• Ensure the 550-sheet feeder is correctly installed on the printer. Re-install the feeder. See "Removing the Optional 550-Sheet Feeder" and "Installing the Optional 550-Sheet Feeder."• Ensure the print media is loaded correctly. See "Loading Print Media in Tray1 and the Optional 550-Sheet Feeder" for more information.
Memory module	<ul style="list-style-type: none">• Ensure the memory module is securely connected to the memory connector.
Hard disk	<ul style="list-style-type: none">• Ensure the hard disk is securely inserted to the correct slot.
Wireless adapter	<ul style="list-style-type: none">• Ensure the wireless adapter is securely inserted to the correct slot.

Other Problems

Problem	Action
Condensation has occurred inside the printer.	This usually occurs within several hours after you heat the room in winter. This also occurs when the printer is operating in a location where relative humidity reaches 85% or more. Adjust the humidity or relocate the printer to an appropriate environment.

Contacting Service

When you call for printer service, be prepared to describe the problem you are experiencing or the error message that appears.

You need to know the model type and service tag of your printer. See the label located inside the front cover of your printer.

Appendix

Appendix..... 397

Index..... 401

Appendix

Dell™ Technical Support Policy

Technician-assisted technical support requires the cooperation and participation of the customer in the troubleshooting process and provides for restoration of the operating system, software program and hardware drivers to the original default configuration as shipped from Dell, as well as the verification of appropriate functionality of the printer and all Dell-installed hardware. In addition to this technician assisted technical support, online technical support is available at Dell Support. Additional technical support options may be available for purchase.

Dell provides limited technical support for the printer and any Dell-installed software and peripherals. Support for third-party software and peripherals is provided by the original manufacturer, including those purchased and/or installed through Software & Peripherals (DellWare), ReadyWare, and Custom Factory Integration (CFI/DellPlus).

Online Services

You can learn about Dell products and services on the following websites:

www.dell.com

www.dell.com/ap (Asian/Pacific countries only)

www.dell.com/jp (Japan only)

www.euro.dell.com (Europe only)

www.dell.com/la (Latin American and Caribbean countries)

www.dell.ca (Canada only)

You can access Dell Support through the following websites and e-mail addresses:

- Dell Support websites
support.dell.com
support.jp.dell.com (Japan only)
support.euro.dell.com (Europe only)
- Dell Support e-mail addresses
mobile_support@us.dell.com
support@us.dell.com
la-techsupport@dell.com (Latin America and Caribbean countries only)
apsupport@dell.com (Asian/Pacific countries only)
- Dell Marketing and Sales e-mail addresses
apmarketing@dell.com (Asian/Pacific countries only)
sales_canada@dell.com (Canada only)
- Anonymous file transfer protocol (FTP)
[ftp.dell.com](ftp://ftp.dell.com)

Log in as user: `anonymous`, and use your e-mail address as your password.

Warranty and Return Policy

Dell Computer Corporation ("Dell") manufactures its hardware products from parts and components that are new or equivalent to new in accordance with industry-standard practices. For information about the Dell warranty for your printer, see support.dell.com.

Recycling Information

It is recommended that customers dispose of their used computer hardware, monitors, printers, and other peripherals in an environmentally sound manner. Potential methods include reuse of parts or whole products and recycling of products, components, and/or materials.

For specific information on Dell's worldwide recycling programs, see www.dell.com/recyclingworldwide.

Contacting Dell

You can access Dell Support at support.dell.com. Select your region on the WELCOME TO DELL SUPPORT page, and fill in the requested details to access help tools and information.

You can contact Dell electronically using the following addresses:

- World Wide Web

www.dell.com

www.dell.com/ap (Asian/Pacific countries only)

www.dell.com/jp (Japan only)

www.euro.dell.com (Europe only)

www.dell.com/la (Latin American and Caribbean countries)

www.dell.ca (Canada only)

- Anonymous file transfer protocol (FTP)

[ftp.dell.com](ftp://ftp.dell.com)

Log in as user: anonymous, and use your email address as your password.

- Electronic Support Service

mobile_support@us.dell.com

support@us.dell.com

la-techsupport@dell.com (Latin America and Caribbean countries only)

apsupport@dell.com (Asian/Pacific countries only)

support.jp.dell.com (Japan only)

support.euro.dell.com (Europe only)

- Electronic Quote Service

apmarketing@dell.com (Asian/Pacific countries only)

sales_canada@dell.com (Canada only)

Index

Symbols

(Back) button, 118
(Cancel) button, 117
(Menu) button, 118
(Power Saver) button, 117
(Set) button, 118

Numerics

1000Base-T Full-Duplex, 152
100Base-TX Full-Duplex, 152
100Base-TX Half-Duplex, 152
10Base-T Full-Duplex, 152
10Base-T Half-Duplex, 152
2 Sided Print, 134
2 Sided Printing, 135, 175, 184
2nd BTR, 28, 324
4 Colors Configuration Chart, 185
802.1x, 150, 167

A

A4, 233
A4<>Letter Switch, 172, 177, 205
A5, 233
About printer, 27
Access List, 167
Ad-Hoc, 160
Adjust 2nd BTR, 135, 143, 211
Adjust Altitude, 136, 146, 173, 179
Adjust Fusing Unit, 136, 144, 212
Adjust Transfer Belt Unit, 143
Adjusting color registration, 342
Admin Settings, 188
Administrator Account, 160

AirPrint, 149, 162, 254
Alert Tone, 133, 138, 173, 177
Alignment Chart, 185
All Tones, 133, 139
Altitude, 308
Appendix, 399
Apply New Settings, 128
Asset Tag Number, 121, 131
Assigning IP address, 71
Audio Tone, 173, 176
Authenticate Error Trap, 159
Authentication System, 275
Auto Clear Alert Tone, 133, 138, 173, 177
Auto Color To Mono Print, 209
Auto Correct, 145, 179
Auto Log Print, 133, 139, 172, 177, 205
Auto Reg Adjust, 212
Auto Registration Adjustment, 136, 144, 173
Auto Reset, 133, 139, 172, 176
AutoIP, 199
Avoiding paper jams, 243, 355

B

B5, 233
Banding Detection Chart, 185
Banner Sheet Insert Position, 133, 139, 172, 177
Banner Sheet Specify Tray, 133, 139, 172, 177
Base memory, 307
Basic Information, 151
Basic printer problems, 371
Bitmapped font, 294
Bonjour (mDNS), 149, 152
BOOTP, 199

C

- C5, 233
- Cable, 309
- Canceling a print job, 244
- Canceling print job
 - From your computer, 244
- Carbonless copy paper, 230
- CCP, 230
- Changing printer settings, 128, 256
- Changing the Language, 119
- Clear Storage, 145
- Clearing paper jams, 355
 - From fusing unit, 360
 - From MPF, 356
 - From optional 550-sheet feeder, 366
 - From tray1, 359
- Clock Settings, 136
- Coated, 135-136, 144, 211-212
- Coated Thick, 135-136, 144, 211-212
- Collation, 134, 175, 184
- Color Reg Adjust, 213
- Color Regi Chart, 145
- Color Registration Adjustments, 145, 179
- Color registration chart, 342
- Color Test Page, 138, 174, 188
- ColorTrack, 273
- ColorTrack Error Report, 136, 274
- ColorTrack Mode, 136, 274
- ColorTrack Settings, 273
- Community Name, 159
- Completed Jobs, 124, 132
- Configure 802.1x, 167
- Configuring wireless adapter, 51
- Connecting local printer, 66
- Connecting printer, 65
- Connecting to the network, 67
- Connection specification, 65, 309
- Connection Time-Out, 154

- Connection type, 65, 309
- Conserving supplies, 313
- Contact Dell Support at, 125, 127
- Contact Person, 126
- Contacting service, 395
- Control board, 28
- Control Panel Tone, 138, 173, 176
- Copy Printer Settings, 125, 127, 167
- Copy Printer Settings Report, 168
- Cover, 131
- Covers, 135-136, 144, 211-212
- Covers Thick, 135-136, 144, 211-212
- Custom Paper Size - X, 134, 140
- Custom Paper Size - Y, 134, 140

D

- Data Encryption, 281
- Date & Time, 173, 176
- Date Format, 136, 173, 176
- Default Color, 134, 140, 194
- Default Paper Size, 133, 139, 172, 177
- Dell ColorTrack, 136, 168, 273
- Dell Printer Configuration Web Tool, 121
 - Page display format, 126
- Dell Service Tag Number, 131
- Dell Supplies Management System, 261
- Dell support website, 22
- Dell technical support policy, 399
- Details, 131
- Determining Values, 342
- DHCP, 199
- Digital Certificates, 281
- Dimensions, 307
- DIMM size, 307
- Direct connection setup, 80
- Disabling Panel Lock, 226
- Display of Dell Configuration Web Tool, 184

Display problems, 371
DL, 233
DNS, 148, 154
Draft Mode, 134, 140, 193
Driver, 21
Drum cartridge, 27, 317
Duplex unit, 28

E

E-Mail Alert, 125, 127, 152, 156, 200
E-Mail Alert Settings, 151, 157
E-Mail Alert Setup, 121
E-Mail Alert Setup Page, 150
E-Mail Server Settings, 150, 156
Emulations, 307
Encryption, 160-161
End Time, 142
Entering Values, 344
Envelope, 135-136, 144, 211-212, 231
Envelope #10, 233
Environment, 308
Error codes, 301
Error History, 138, 174, 188
Ethernet, 147, 152, 309
Ethernet port, 28, 65, 67
Event Panel, 126
EWS, 200
EWS Settings, 151
Executive, 233
Expiration Mode, 142
Expiration Time, 143
Express Service Code, 131
External Authentication, 273

F

Fast scan, 343

Fault Time-out, 133, 139, 172, 176
Fault Tone, 133, 138, 173, 176
Finding information, 21
Firmware Version, 131
Flip on Long Edge, 247
Flip on Short Edge, 247
Folio, 233
Font, 134, 140, 293
 PCL 5/PCL 6, 295
 Pitch, 293
 Point size, 293
 PostScript 3, 295
 Style, 293
 Typefaces and fonts, 293
 Weight, 293
Font Pitch, 134, 140, 192
Font Size, 134, 140, 191
Form Line, 134, 140, 192
Front cover, 27
Front USB port, 27
Function Enabled, 141, 215
Fusing unit, 28, 322, 356, 360

G

Gateway Address, 153, 174, 183, 200
Get Environment Sensor Info, 185
Ghost Configuration Chart, 185
Google Cloud Print, 149, 162, 254

H

Hard disk, 58
Hex Dump, 134, 140, 193
Host I/F, 132
Host Name, 132, 158, 164
How to install option, 37
How to remove option, 347
How to set up, 22
How to use printer, 21

HTTP, 149, 155
HTTP-SSL/TLS Communication, 283

I

ID, 131-132
Identifying print media, 233
Image Enhance, 134, 140
Impression Number, 132
Infrastructure, 160
Initialize NIC NVRAM Memory and restart printer, 163
Initialize Print Meter, 179, 213
Installing optional 550-Sheet Feeder, 42
Installing optional accessories, 37
Installing optional hard disk, 58
Installing optional memory module, 37
Installing optional wireless adapter, 47
Interfaces, 308
Invalid Key Tone, 133, 138, 173, 176
IP Address, 71, 121, 124, 126, 147, 153, 159, 164, 166-167, 174, 183, 199, 276-277
IP Address Mode, 174, 183
IP Filter (IPv4), 150, 167
IP filter setup, 155
IPP, 148, 152, 154
IPsec, 166, 286
IPsec Settings, 150, 166
IPv4, 159, 166
IPv6, 126, 148, 154, 159, 166

J

Job Completed Tone, 133, 138, 173, 176
Job History, 138, 174, 187
Job List, 124, 131
Job Name, 132
Job Status, 132
Job Submitted Time, 132

Job Time-out, 133, 139, 172, 176, 203

K

Kerberos Server, 275

L

Label, 135-136, 144, 173, 179, 211-212, 232
Landscape, 190
Layout, 134
LCD panel, 117
LDAP Authentication, 278
LDAP Server, 164, 276-277
LDAP-SSL/TLS Communication, 287-288
Left frame, 127
Left side cover, 28
Legal, 233
Letter, 233
Letterhead 2 Sided, 133, 139, 172, 178
Line Termination, 134, 140, 193
Link Channel, 160
Link Local Address, 174
Link Quality, 160
Loading letterhead, 235
Loading paper, 75
Loading print media, 235
 MPF, 237
 Tray1 and optional 550-sheet feeder, 235
Location, 126, 131
Login Error, 142
Low Toner Alert Message, 133, 139, 172, 178
Low Toner Alert Tone, 133, 138, 173, 177
LPD, 148, 152, 154, 200

M

MAC Address, 160
Machine Ready Tone, 133, 138, 173, 176

Maintenance, 313
Manual Address, 174
Maximum memory, 307
Memory, 307
Memory Capacity, 131
Memory connector, 307
Memory module, 37, 347
Memory speed, 307
Menu item, 128
Menu Settings, 132
MIB compatibility, 308
mm / inch, 132, 138, 172, 177
Monarch, 233
Monthly Settings, 143
MPF, 356
MPF Custom Paper Size - X, 137, 169
MPF Custom Paper Size - Y, 137, 169
MPF Custom Size - X, 174, 180
MPF Custom Size - Y, 174, 180
MPF Display Popup, 137, 169, 174, 180
MPF Mode, 174, 180
MPF Paper Size, 137, 169, 174, 180
MPF Paper Type, 137, 169, 174, 180
MQ Chart, 185
Multiple Up, 313
Multiple-Up, 135, 175, 184, 225
Multipurpose feeder (MPF), 27, 356

N

NCR, 230
Network, 67
Network connection setup, 82
Network Firmware Version, 131
Network Type, 160
New Password, 141
No carbon required paper, 230
No. of Sheets, 132

Non Registered User, 136, 274
Non-Dell Toner, 136, 173, 179, 214
Number pad, 117-118

O

OCR, 230
Online Help, 125, 127
Operation, 308
Operator panel, 27, 29
Operator Panel Buttons, 117
Optical character recognition, 230
Optional 550-sheet feeder, 27, 356, 366
Order Supplies at, 125, 127
Ordering supplies, 31, 313
Orientation, 134, 140, 190
OS, 308
OS compatibility, 307
Other problems, 395
Out of Paper Alert Tone, 173, 177
Out of Paper Tone, 133, 138
Output Color, 135, 175, 184
Output Result, 132
Output Size, 134
Output Tray, 131
Output tray extension, 27
Owner, 132

P

Page display format, 126
Page orientation, 236
Panel, 199
Panel Language, 133, 139, 175, 183, 220
Panel Lock Control, 134, 141, 215
Panel Settings, 137, 173, 187
Panel Settings Report, 119, 137
Paper, 229

- Characteristics, 229
- Curl, 229
- Fiber content, 230
- Grain direction, 229
- Moisture content, 229
- Smoothness, 229
- Weight, 229
- Paper Density, 135, 143, 173, 179, 210
- Paper jam location, 356
- Paper Size, 134, 140, 189
- Paper Tray, 134
- Paper Used, 168
- Parts name, 27
- Password, 155, 160, 163-164, 167, 274, 277, 279
- PCL, 188
 - Font, 190
- PCL 5/PCL 6, 295
- PCL Fonts List, 138, 173, 187
- PCL Macros List, 138, 173, 187
- PCL printer driver, 80, 82
- PCL Settings, 134, 140
- PDF Fonts List, 138, 174
- PDL, 307
- Peer-to-Peer, 95
- Pitch Configuration Chart, 185
- Plain, 135-136, 144, 173, 179, 211-212
- Plain Thick, 135-136, 144, 211-212
- Point and Print, 92
- Port Settings, 151
- Port Status, 152
- Port9100, 148, 152, 154, 200
- Portrait, 190
- Power connector, 28
- Power Saver Time - Deep Sleep, 132, 138
- Power Saver Time - Sleep, 132, 138
- Power Saver Timer, 176, 202
- Power Saver Timer - Auto-Off Timer, 172, 202
- Power Saver Timer - Deep Sleep, 172
- Power Saver Timer - Sleep, 172
- Power supply, 307
- Power switch, 27
- Premier, 136
- Print Color Regi Chart, 179
- Print Drivers / Remote Client Account, 160
- Print ID, 133, 139, 172, 177, 206
- Print media, 229, 313
 - Source, 236
- Print Meter, 138, 174
- Print Mode, 134
- Print quality guarantee, 308
- Print Server Reports, 147
- Print Server Settings, 124, 127, 146, 151, 184
- Print Server Setup Page, 147
- Print side, 236
- Print Text, 133, 139, 172, 177, 206
- Print Volume, 125, 127, 168
- Printer driver, 105, 107, 278
- Printer Events, 131
- Printer Information, 125, 127, 131
- Printer Jobs, 124, 127, 131
- Printer Maintenance, 143
- Printer Page Count, 168
- Printer paper, 229
- Printer Revision Levels, 131
- Printer Serial Number, 131
- Printer Settings, 124, 132, 137-138, 173, 187
- Printer Settings page, 137
- Printer software, 261
- Printer specification, 307
- Printer Status, 124, 127, 130
- Printer Status Window, 261
- Printer Type, 131
- Printer utility software, 262
- Printing, 243
- Printing problems, 371
- Printing Speed, 131

Private Mail Box Print, 221, 248-249
Problems with Optional Accessories, 395
Processor Speed, 131
Product Information Guide, 22
Proof Print, 223, 249
Proxy Server, 149, 162
PS Fonts List, 138, 174
PS printer driver, 80, 82
Public Mail Box Print, 222, 248-249

Q

Quantity, 134, 140, 192
Quick Launch Utility, 262
Quick Reference Guide, 21

R

RAM Disk, 133, 139, 172, 177, 207
RARP, 199
Rear cover, 28
Recommended paper, 230
Recurrence, 142-143
Recycled, 136, 144, 211-212
Red Hat, 105
Red Hat Enterprise Linux, 105, 307
Re-enter Password, 141
Refresh, 128
Registration Adjustments, 179
Regular, 136
Relative humidity, 308
Remote Authentication, 274
Removing optional 550-sheet feeder, 349
Removing optional hard disk, 353
Removing optional memory module, 347
Removing optional wireless adapter, 351
Removing options, 347
Report 2 Sided Print, 172, 177

Reports, 137, 188
Reset Defaults, 179
Reset Defaults and restart printer, 145
Reset Print Server, 163
Resident fonts, 295
Resident scalable fonts, 295
Restore Settings, 128
Retard roller, 324
Return policy, 400
Right frame, 128
Right side cover, 27
RSA BSAFE, 17

S

Safety information, 22
Scalable fonts, 294
Search Time-Out, 164, 277
Secure Print, 221, 248-249
Secure Settings, 134, 141
Security, 163
Security Settings, 160
Select Reorder URL, 136
Select Tray, 135, 175, 184, 224
Selecting letterhead, 231
Selecting paper, 230
Selecting preprinted form, 231
Selecting pre-punched paper, 231
Sending print job, 243
Server Response Time-Out, 275
Service code, 22
Service tag, 22
Set Available Time, 142
Set Date, 136, 173, 176
Set Password, 125, 127, 163
Set Time, 136, 173, 176
Shared printing, 91
Slow scan, 342, 344

SMB, 149, 152
SNMP, 149, 152
SNMP Configuration, 158
SNMP UDP, 200
Software and Documentation disc, 21
Software update, 262
SSID, 160
SSL/TLS, 150, 165, 287
Start Time, 142
Status LED, 117
Status Monitor Console, 261
Status Monitor Console for Linux, 267
Status Monitor Widget for Macintosh, 263
Status of printer supplies, 313
Status Window, 262
Storage, 308
Storage humidity range, 308
Stored Documents, 138, 174, 188
Storing consumables, 314
Storing print media, 233, 243, 314
Straightest lines, 343
Subnet Mask, 174, 183, 199
Substitute Tray, 133, 139, 172, 178, 207
Supported paper sizes, 233
Supported paper types, 234
SUSE, 307
SUSE Linux Enterprise Desktop 10, 108
SUSE Linux Enterprise Desktop 11, 110
Symbol Set, 134, 140, 191, 299
System Settings, 132, 138, 151, 172

T

TCP/IP, 152
TCP/IP Settings, 147, 153
Telnet, 149, 152, 155
Temperature, 308
Time Format, 136, 173, 176

Time Zone, 136, 173, 176
Toner cartridge, 27, 315
Toner cartridge level, 130
Tool Box, 171, 262
Top cover, 27
Top frame, 126
Transfer belt unit, 27, 324
Trap Notification, 159
Tray 1 Custom Paper Size - X, 137, 169
Tray 1 Custom Paper Size - Y, 137, 169
Tray 1 Custom Size - X, 174, 181
Tray 1 Custom Size - Y, 174, 181
Tray 1 Display Popup, 137, 169, 174, 181
Tray 1 Paper Size, 137, 169, 174, 181
Tray 1 Paper Type, 137, 169, 174, 181
Tray 2 Custom Paper Size - X, 137, 170
Tray 2 Custom Paper Size - Y, 137, 170
Tray 2 Custom Size - X, 175, 181
Tray 2 Custom Size - Y, 175, 181
Tray 2 Display Popup, 137, 170, 174, 181
Tray 2 Paper Size, 137, 169, 175, 181
Tray 2 Paper Type, 137, 169, 175, 182
Tray Priority, 175, 182
Tray Settings, 125, 127, 137, 169, 174, 180, 216
Tray1, 27, 356, 359
Troubleshooting, 263, 371
Typeface, 293

U

Unacceptable paper, 230
UNITED STATES GOVERNMENT
RESTRICTED RIGHTS, 17
Updater, 263
USB, 309
USB Direct Print, 141
USB Direct Print Defaults, 135
USB port, 28, 65-66, 134, 139

USB printing, 80
Use Another Tray, 172, 178
Use Manual Address, 174
User Setup Disk Creating Tool, 261
Using Dell Printer Configuration Web Tool, 124

V

Verifying IP settings, 73

W

Warranty, 400
Warranty information, 22
Waste toner box, 27, 332
Web Link Customization, 136, 146
Web services on devices, 252
Weekly Settings, 143
WEP, 161
Width guide, 76
WINS, 148, 154
Wired Network

- Ethernet, 197
- IP Filter, 201
- Protocols, 200
- Reset LAN, 201
- TCP/IP, 199

Wireless Adapter, 47
Wireless adapter socket, 28
Wireless Settings, 147, 160
WPA-Enterprise, 288-289
WPA-PSK, 161
WPS-PBC, 55
WPS-PIN, 54
WSD, 148, 155, 252

X

XPS printer driver, 80, 83

