

SENCOR®

SRC 340

USER'S MANUAL

RADIOCLOCK

EN

WARNING

- No naked flame sources, such as lighted candles, should be placed on the apparatus.
- Do not place the product in closed bookcases or racks without proper ventilation.
- Where the mains plug is used as the disconnect device, the disconnect device shall remain readily operable.
- The ventilation should not be impeded by covering the ventilation openings with items, such as newspapers, table-cloths, curtains, etc.
- It shall not be exposed to dripping or splashing and that no objects filled with liquids, such as vases, shall be placed on the apparatus.
- Do not connect FM antenna to outside antenna.
- The unit should not be exposed to direct sunlight, very high or low temperature, moisture, vibrations or placed in dusty environment.
- Do not use abrasive, benzene, thinner or other solvents to clean the surface of the unit. To clean, wipe it with mild non-abrasive detergent solution and clean soft cloth.
- Never attempt to insert wires, pins or other such objects into the vents or opening of the unit.

WARNING:

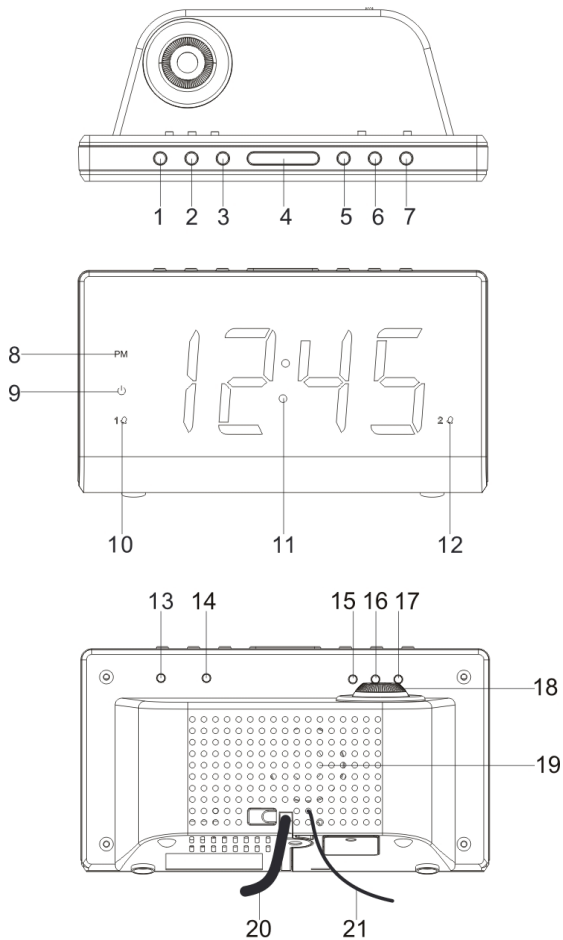
Mains plug is used as the connection, so it should always remain ready operate.

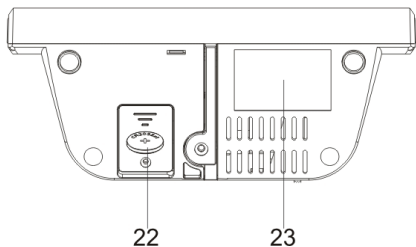
- Batteries shall not be exposed to excessive heat such as sunshine, fire or the like.
- Class I LED product.

CAUTION:

Danger of explosion if battery is incorrectly replaced
Replace only with the same or equivalent type

FUNCTION AND CONTROLS





1. VOLUME DOWN
2. VOLUME UP / DISPLAY AUTO CHANGE ON/OFF
3. << / TUNE - / YEAR/MONTH/DAY
4. SNOOZE / SLEEP / DIMMER
5. >> / TUNE + / DST
6. MEM.SET/M+/NAP/AUTO OFF DISPLAY
7. ON / OFF RADIO / ALARM OFF
8. PM INDICATOR
9. STANDBY INDICATOR
10. ALARM 1 INDICATOR
11. DISPLAY
12. ALARM 2 INDICATOR
13. PROJECTION ON/OFF
14. PROJECTION TIME 180° FLIP
15. CLOCK ADJ
16. (AL2) ALARM 2 ON / OFF SET
17. (AL1) ALARM 1 ON / OFF SET
18. FOCUS ADJUSTMENT FOR PROJECTION UNIT
19. SPEAKER
20. AC POWER CORD
21. FM ANTENNA
22. BATTERY COMPARTMENT
23. RATING LABEL(Bottom of unit)

POWER CONNECTION

Plug the AC power cord to a household outlet AC source. This unit is equipped with a battery back up system, it requires a 3V CR2032 flat lithium battery (not included). Insert the battery in the battery compartment, making certain that the positive and negative (+ and -) battery terminals are attached to the corresponding terminals on the plate in the battery compartment. If an AC power failure occurs, the clock automatically switches to the battery power supply, the clock and timer memory continue running. When the AC power resumes, the clock switches back to AC again.

TIME AND CALENDAR MANUAL SETTING

Setting Time and Calendar

Press Clock ADJ. (15) button in standby mode and keep depress over 2 seconds to enter time set mode, after enter the setting mode, press Clock ADJ. button (15) to change the mode cycle as follows:

Normal → Year → Month → Day → 12/24 H format → Real time
Hour → Real time Min → Normal

Action (during data adjustment):

- Press << / Tune - button (3) to adjust data backward.
- Press >> / Tune + button (5) to adjust data forward.
- Keep depressed << or >> button for 2 seconds to enable auto forward.
- Use Clock ADJ. (15) button to confirm each setting.

ALARM

Setting Alarm 1 and Alarm 2

- In standby mode, press the AL1 (17) or AL 2 (16) button once to preview the alarm time. The alarm time is displayed, press & hold the AL1 / AL2 buttons for 3 seconds and the hours will blink. Press AL1 / AL2 button (17/16) and keep depressed over 2 seconds to enter alarm set mode. Once in the setting mode, press alarm set button (17/16) to change the mode cycle as follows:

Normal → AL 1 Hour → AL 1 Min → AL 1 weekday Alarm → AL 1 wake beep → AL 1 wake radio → AL 1 wake radio volume → Normal.

Normal → AL 2 Hour → AL 2 Min → AL 2 weekday Alarm → AL 2 wake beep → AL 2 wake radio → AL 2 wake radio volume → Normal.

- Select alarm weekday mode as follows:
 - 1-5: Monday to Friday
 - 1-7: Whole week
 - 6-7: Saturday & Sunday
 - 1-1: One day of week

Action (during data adjustment):

- Press << / Tune - (3) button to adjust data backward.
- Press >> / Tune + (5) button to adjust data forward.
- Keep depressed << or >> button for 2 seconds to enable auto forward.
- Use AL1 / AL2 set button to confirm each setting.

Alarm

Beep alarm or radio alarm will ring for 30 minutes if no key is pressed, then it will stop automatically and wait for same alarm time on next day.



Snooze function

When Alarm rings, press Snooze button (4) to suspend the alarm & to activate the snooze function, Beep or Radio alarm will stop. 9 minutes later the alarm will ring again. Press SNOOZE key again, alarm will be suspended again, another 9 minutes later the alarm will ring again and so on until the next alarm rings.

NOTE:

- *The interval time of the Snooze function is 9 minutes.*
- *If you want to disable the SNOOZE function and stop alarm completely, press Radio ON/OFF button (7). If you don't press any button, the alarm will ring during 30 minutes & stop automatically.*
- *Icon of AL1 and AL2 will blink as long as Snooze function is still operating. Once Snooze is turned off icon of AL1 / AL2 stop blinking and lights on the display.*

DISPLAY LIGHT ON/OFF FUNCTION

- Press MEM. Set / M+ / display light auto on-off /NAP button (6) for 3 seconds, the LED display  will light on, the LED display will turn off after 15 seconds automatically. Press any button to maintain the LED display for 15 seconds.
- Press MEM. Set / M+ / display light auto on-off /NAP (6) button for 3 seconds, the LED display  will light off to cancel this function.

Auto change display content

- In radio off mode, press the VOLUME UP / DISPLAY AUTO CHANGE ON/OFF (2) button and keep depressed over 2 seconds to enter time AUTO CHANGE DISPLAY mode ("ON" will appear on the display).
- The Year will be displayed and press again to display Month/Day, the display returns to time display after 5 seconds, and will display again the same info in cycle.
- Press and keep depressed over 2 seconds again to turn off AUTO CHANGE DISPLAY mode (« OFF » will appear on the display).



RADIO MODE

NOTE:

- *Ensure that the FM antenna is completely unrolled and extended to have the best FM reception.*
- Press the Radio ON/OFF button (7) to turn the unit on.
- Use the Tune - (3) or Tune + (5) button to select the desired radio station. If you press and hold the Tune - (3) or Tune + (5) button for one second, then release, the unit will automatically scan to the next broadcasting station.
- Press the ON/OFF button (7) to turn the radio OFF.

To preset radio station

- The alarm clock radio has 10 presets.
- Press the Radio ON/OFF button (7) to turn the unit ON.
- Use the Tune - (3) or Tune + (5) button to select the desired radio station.
- Press the MEM.SET/M+ (6) button; "P02" will blink in the display.
- Press the 'MEM.SET / M+' (6) button again to set the preset.
- Repeat steps 2 through 4 to set more presets.
- The unit can preset 10 stations totally for FM.
- When "P01-P10" blinks, press Tune - (3) or Tune + (5) button to select the preset number.

To recall the radio preset

To recall a preset station, press MEM.SET/M+/NAP (6) button to select the desired preset number.

Sleep operation

When you listen to the radio, press the SNOOZE/SLEEP/DIMMER (4) button to enter into the sleep mode. You can adjust the sleep timer from 90 minutes to 15 minutes by pressing repeatedly the SNOOZE/SLEEP/DIMMER button (4). When sleep timer is selected, the unit will automatically turn off once time is up.

NAP FUNCTION (count down timer)

- In radio off mode, press MEM.SET/M+/NAP (6) button to enter into the NAP mode, the NAP time 90 will be displayed during 5 seconds. In the meantime, press repeatedly MEM.SET/M+/NAP (6) button to set the duration time from 90 min to 10 min.
- Once time is up, the alarm buzzer will sound for 30 min and then shut off automatically. To stop the alarm buzzer, press the Radio ON/OFF button (7).
- Press the MEM.SET/M+/NAP (6) button has no effect during alarm operation.
- Press Radio ON/OFF button (7) to cancel the NAP function.

Dimmer control

The dimmer switch (4) allows you to set the brightness of the LED display to high, medium and low 3 levels.

Daylight saving time (DST) mode

- For countries with daylight saving time (DST) (one hour of difference between summer time and winter time), this clock radio offers you DST option to adjust summer time.
- In standby mode press and hold for 2 seconds the >>/TUNE+/DST button (5).
- The clock advances by one hour. To exit DST mode, repeat the above operation.

Resetting

If the system does not respond or exhibits erratic or intermittent operation, you may have experienced an electrostatic discharge (ESD) or a power surge that triggered the internal microcontroller to shut down automatically. If this occurs, simply disconnect the ac power cord and remove the system backup battery, wait for at least 3 minutes and then setup the unit again as if it is a brand new unit.

Projection unit

- Focus setting : Adjust the projection clock brightness/focus by turning the brightness/focus adjustment wheel until the projected time is clearly shown on the ceiling or wall.
- Adjust projected direction.

- To flip projected image by 180°, press PROJECTION TIME 180° FLIP button (14).

NOTE:

*Projects time image on the ceiling or wall of a darkened room.
Maximun projection distance is 3-9 feet.*

SPECIFICATIONS

Frequency range:	87.5 – 108 MHz
Battery backup:	3V (CR2032 Flat Lithium battery x 1) not included
Power supply:	AC230V 50Hz
Power consumption:	5W
Dimensions:	180 x 75 x 100 mm
Weight:	455 g

INSTRUCTIONS AND INFORMATION REGARDING THE DISPOSAL OF USED PACKAGING MATERIALS

Dispose of used packaging material at a site designated for waste in your municipality.

DISPOSAL OF USED ELECTRICAL AND ELECTRONIC EQUIPMENT



This symbol on products or original documents means that used electric or electronic products must not be added to ordinary municipal waste. For proper disposal, renewal and recycling hand over these products to determined collection points. Or as an alternative in some European Union states or other European countries you may return your products to the local retailer when buying an equivalent new product.

Correct disposal of this product helps save valuable natural resources and prevents damage to the environment caused by improper waste disposal. Ask your local authorities or collection facility for more details.

In accordance with national regulations penalties may be imposed for the incorrect disposal of this type of waste.

For business entities in European Union states

If you want to dispose of electric or electronic appliances, ask your retailer or supplier for the necessary information.

Disposal in other countries outside the European Union

This symbol is valid in the European Union. If you wish to dispose of this product, request the necessary information about the correct disposal method from the local council or from your retailer.



This product meets all the basic requirements of EU directives that apply to it.

Changes in the text, design and technical specifications may change without prior notice and we reserve the right to make these changes.

SENCOR®

EN Warranty conditions

Warranty card is not a part of the device packaging.

This product is warranted for the period of 24 months from the date of purchase to the end-user. Warranty is limited to the following conditions. Warranty is referred only to the customer goods using for common domestic use. The claim for service can be applied either at dealer's shop where the product was bought, or at below mentioned authorized service shops. The end-user is obligated to set up a claim immediately when the defects appeared but only till the end of warranty period. The end user is obligated to cooperate to certify the claiming defects. Only completed and clean (according to hygienic standards) product will be accepted. In case of eligible warranty claim the warranty period will be prolonged by the period from the date of claim application till the date of taking over the product by end-user, or the date the end-user is obligated to take it over. To obtain the service under this warranty, end-user is obligated to certify his claim with duly completed following documents: receipt, certificate of warranty, certificate of installation.

This warranty is void especially if apply as follows:

- Defects which were put on sale.
- Wear-out or damage caused by common use.
- The product was damaged by unprofessional or wrong installation, used in contrary to the applicable instruction manual, used in contrary to legal enactment and common process of use or used for another purpose which has been designed for.
- The product was damaged by uncared-for or insufficient maintenance.
- The product was damaged by dirt, accident of force majeure (natural disaster, fire, and flood).
- Defects on functionality caused by low duality of signal, electromagnetic field interference etc.
- The product was mechanically damaged (e.g. broken button, fall).
- Damage caused by use of unsuitable media, fillings, expendable supplies (batteries) or by unsuitable working conditions (e.g. high temperatures, high humidity, quakes).
- Repair, modification or other failure action to the product by unauthorized person.
- End-user did not prove enough his right to claim (time and place of purchase).
- Data on presented documents differs from data on products.
- Cases when the claiming product cannot be identified according to the presented documents (e.g. the serial number or the warranty seal has been damaged).

Authorized service centers

Visit www.sencor.eu for detailed information about authorized service centers.