

# OLYMPUS®

## DIGITAL VOICE RECORDER

### VN-6200PC

#### RU ИНСТРУКЦИЯ

Thank you for purchasing an Olympus Digital Voice Recorder. Please read these instructions for information about using the product correctly and safely. Keep the instructions handy for future reference. To ensure successful recordings, we recommend that you test the record function and volume before use.

Благодарим Ви, че закупихте цифровия диктофон на Olympus. Моля, прочетете тези инструкции за информация относно правилното и безопасно използване на продукта. Съхранявайте инструкциите на достъпно място за бъдещи справки. За да правите успешни записи, препоръчваме да тествате записващата функция и звука преди употреба.

Děkujeme vám, že jste si koupili digitální diktáfon Olympus. Před prvním použitím tohoto přístroje si přečtěte pozorně návod, umožní vám to používat přístroj bezpečně a správně. Návod pečlivě uschovejte pro další použití. Před použitím doporučujeme vyzkoušet záznamové funkce přístroje a nastavit hlasitost, zajistíte tak dokonalou nahrávku.

Vielen Dank für das Vertrauen in Olympus Produkte, das Sie uns mit dem Kauf des Digital Voice Recorder erwiesen haben. Machen Sie sich bitte gründlich mit dem Inhalt dieser Bedienungsanleitung vertraut, damit stets ein einwandfreier und sicherer Betrieb des Produkts gewährleistet ist. Bewahren Sie außerdem die Bedienungsanleitung stets griffbereit für späteres Nachschlagen auf. Im Interesse fehlerfreier Resultate empfiehlt sich stets zuvor eine Testaufnahme.

Tak fordi du valgte en Olympus Digital lydoptager. Læs venligst denne vejledning vedrørende korrekt og sikker brug af dette produkt. Gem vejledningen til senere brug. For at sikre vellykkede optagelser, anbefales det at lave en prøveoptagelse før brug.

Taname Teid, et ostsíte diktófonu OLYMPUS DIGITAL VOICE RECORDER. Toote turvaliseks ja õigeks kasutamiseks lugege palun käesolevat juhendit. Hoidke juhendit käepärast ka tulevikus. Selleks et salvestamine hästi õnnestuks, soovime enne kasutamist testida salvestamisfunktsiooni toimimist ja hääle tugevust.

Gracias por haber comprado la grabadora digital de voz Olympus Digital Voice Recorder. Lea estas instrucciones para obtener información sobre el uso correcto de este producto y para su seguridad. Guarde estas instrucciones en un lugar a mano para su referencia en el futuro. Para tener éxito en las grabaciones se recomienda hacer un ensayo previo de la función de grabación y su volumen.

Kitämme digitaalisen Olympus-äänitalentimen hankinnasta. Lue ohjeet huolellisesti, jotta opit käyttämään tuotetta oikein ja turvallisesti. Säilytä tämä ohje myöhempiä tarvetta varten. Äänityksen onnistumisen takamiseksi suosittelemme, että kokeilet äänitystä ja äänenvoimakkuutta ennen varsinaista käyttöä.

Merci d'avoir porté votre choix sur cet enregistreur vocal numérique. Lisez ce mode d'emploi pour une utilisation correcte et sûre de l'appareil. Conservez-le à portée de la main pour toute consultation ultérieure. Nous vous recommandons de tester la fonction d'enregistrement et le volume avant l'utilisation pour obtenir de bons enregistrements.

Σας ευχαριστούμε για την αγορά μας ψηφιακής Στοιχειώδους Καταγραφής Φωνής της Olympus. Παρακαλούμε να διαβάσετε αυτές τις οδηγίες για πληροφορίες για τη χρήση του προϊόντος σωστά και με ασφάλεια. Κρατήστε τις οδηγίες κοντά για μελλοντική παραπομπή, για να εξασφαλίσετε επιτυχές καταγραφές, σας προτείνουμε να δοκιμάσετε τη λειτουργία εγγραφής και την ένταση πριν την χρήση.

**ליכיד מילהנו פייט שוכר חטלהנו על הדות של אולימפוס**  
**דוידה חודא עדימ דחלבק הלא תוארה ארק אנא רזומה חטובו וכוונ.**  
**דיתעב ויע ררזול די גשיבה חוארהה את קוחה.**  
**חויקפנט את קודבל ללמנה, חוחלמנו חטלהק היטובל יד**  
**שומיה ינפל קוקח חטמנשו חטלהק.**

Zahvaljujemo na kupovini Olympus digitalnog diktafona. Molimo pažljivo pročitajte upute kako bi osigurali ispravno i sigurno korištenje uređaja. Upute spremite u slučaju budućih potreba. Kako bi osigurali uspješno snimanje, preporučamo testiranje funkcije snimanja i reprodukcije prije uporabe.

Köszönjük, hogy Olympus digitális hangrögzítőt vásárolt. Kérjük, hogy a rendeltetészerű és biztonságos használat érdekében olvassa el, és tartsa elérhető helyen a kezelési útmutatót. Sikeres hangfelvételek készítéséhez használata előtt javasolt ellenőrizni a felvételi funkcióit és a hangerőt.

Grazie per aver acquistato questo registratore vocale digitale Olympus. Leggere queste istruzioni per acquisire le informazioni necessarie per usare il prodotto correttamente e in condizioni di sicurezza. Conservare queste istruzioni a

portata di mano per future consultazioni. Per garantire registrazioni corrette, si raccomanda di provare la funzione di registrazione e il volume prima dell'uso.

Děkujeme, kad jsigijote skaitmeninį „Olympus“ diktáfoną. Perskaitykite šią instrukciją, kad žinotumėte, kaip šį gaminį tinkamai ir saugiai naudoti. Išsugokite šią instrukciją, kad vėliau galėtumėte ją pasinaudoti. Tam, kad būtų užtikrintas sėkmingas įrašymas, rekomenduojame prieš naudojant išbandyti įrašymo funkciją ir garsumą.

Paldies par Olympus digitālā diktāfona iegādi. Lūdzu, izlasiet šo instrukciju. Lai zinātu, kā pareizi un droši lietot diktāfonu. Saglabājiet instrukciju turpmākai uzziņai. Lai veiktu skanas ierakstus, pirms ierakstus ekspluatācijas iesakām veikt ieraksta funkcijas un skaluuma pārbaudi.

Hartelijk dank voor de aanschaf van een Olympus digitale voice recorder. Raadpleeg deze handleiding voor informatie over een correct en veilig gebruik van het product. Bewaar deze handleiding zorgvuldig zodat u deze op een later moment opnieuw kunt raadplegen. Als u zeker wilt zijn van een goed resultaat adviseren we u om de opnamefunctie en het volumeniveau vooraf te testen.

Takk for at du kjøpte en digital optaker fra Olympus. Les disse instruksjonene for informasjon vedrørende korrekt og sikker bruk av produktet. Oppbevar instruksjonene lett tilgjengelig for fremtidig referanse. Vi anbefaler at du tester optaksfunksjonen og volumet før bruk for å sikre vellykkede optak.

Dziękujemy za zakup cyfrowego diktafonu Olympus. Prosimy o zapoznanie się z niniejszą instrukcją, aby prawidłowo i bezpiecznie użytkować niniejszy produkt. Zalecamy pozostawienie instrukcji, by zawsze mogła służyć pomocą. Aby uzyskać udane nagrania, zalecamy przed rozpoczęciem użytkowania przetestowanie funkcji nagrywania oraz poziomu głośności.

Obbrigado por ter adquirido um Gravador de Voz Digital da OLYMPUS. Leia por favor estas instruções para obter informação sobre como utilizar correctamente e em segurança este produto. Mantenha as instruções em local acessível para futuras consultas.

Vä multumim pentru că ați achiziționat un reportofon digital Olympus. Vă rugăm să citiți aceste instrucțiuni pentru informații privind utilizarea corectă și sigură a produsului. Țineți instrucțiunile la îndemână pentru a le consulta când aveți nevoie. Pentru a vă asigura înregistrări de calitate, vă recomandăm să testați funcția de înregistrare și volumul înainte de a utiliza dispozitivul.

Hvala vam što ste se opredelili za Olympusov Digitalni diktáfon. Molimo vas da pažljivo pročitate ova uputstva kako bi vas služilo dugoo i bezbedno. Čuvajte ova uputstva na pristupačnom mestu. Kako bi vaši snimci bili što uspešniji, preporučujemo da pre upotrebe isprobate funkciju snimanja i jačinu zvuka.

Благодарим Вас за покупку ЦИФРОВОГО ДИКТОФОНА OLYMPUS. Внимательно прочтите эту инструкцию, содержащую информацию о правильном и безопасном использовании диктофона. Храните инструкцию в доступном месте, чтобы в будущем Вы могли легко ее найти. Для обеспечения хорошей записи рекомендуем проверить функцию записи и звук перед использованием.

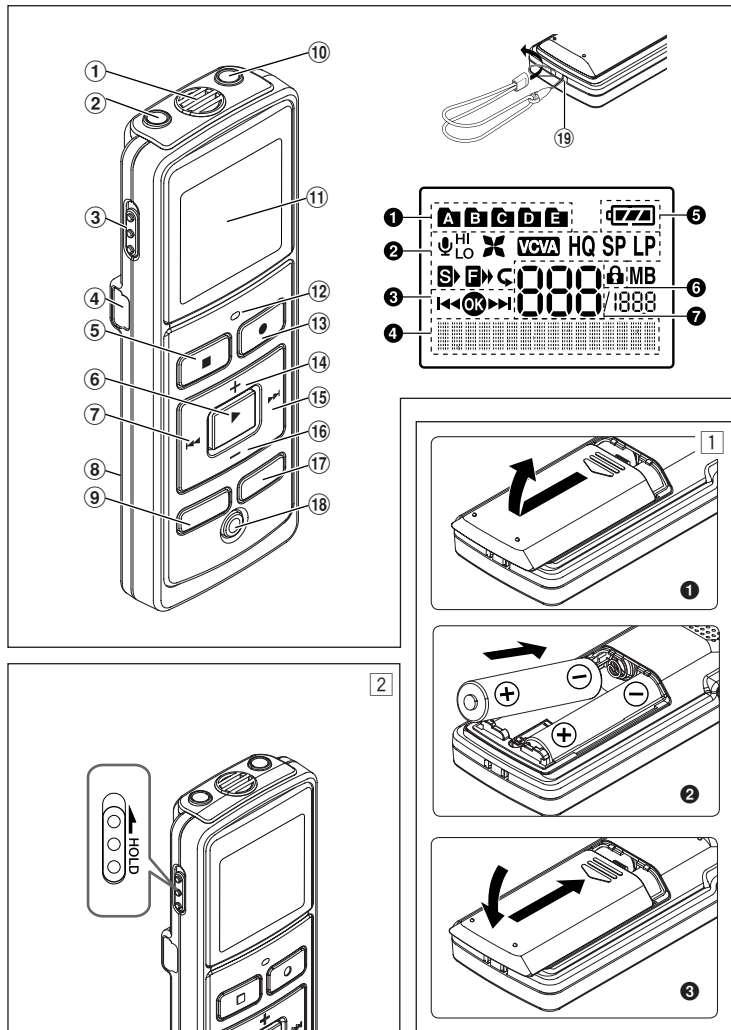
Tack för att du har köpt en Olympus Digital Voice Recorder. Vänligen läs igenom denna manual för information om hur du använder produkten på ett korrekt och säkert sätt. Spara manualen på ett säkert ställe för framtida bruk. Vi rekommenderar att du testar fickminnets funktioner innan du börjar spela in viktiga filer.

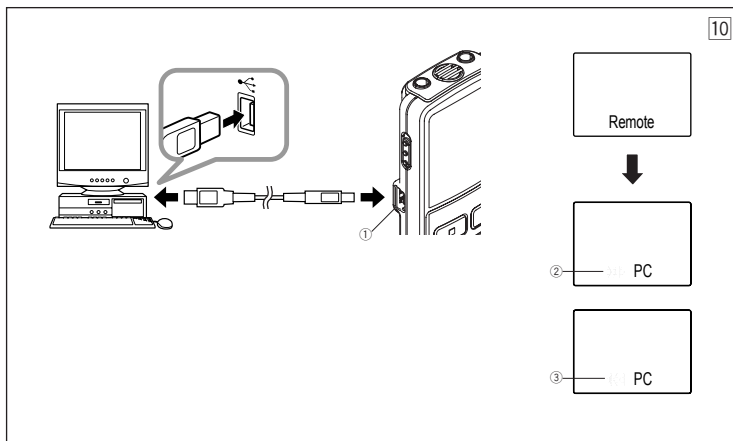
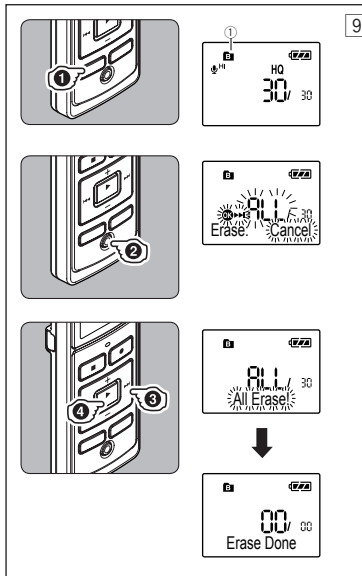
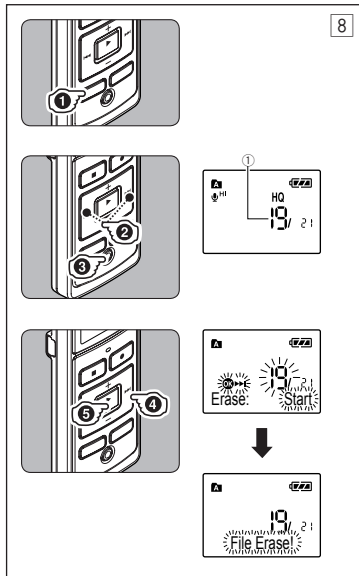
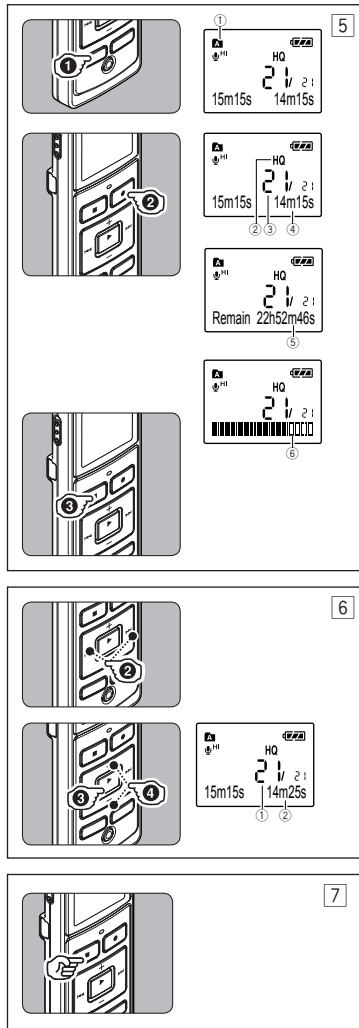
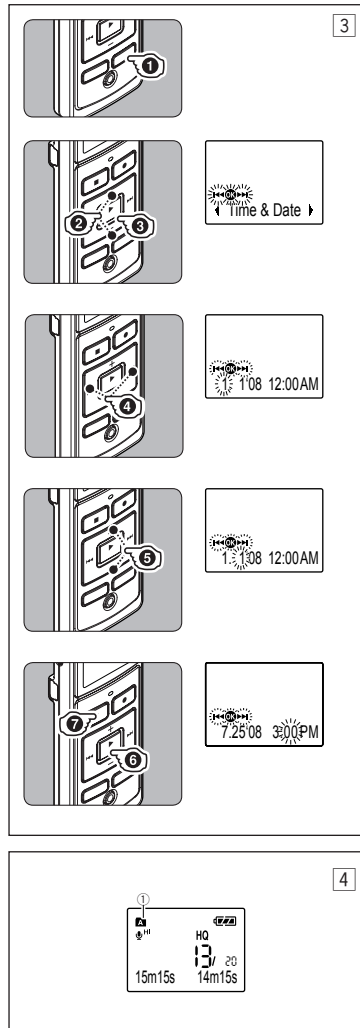
Zahvaljujemo se vam za nakup Olympusovega digitalnega snemalnika zvoka. Prosimo, preberite ta navodila, ki vsebujejo informacije o pravilni in varni uporabi aparata. Imejte jih vedno pri roki za nadaljnjo uporabo. Za uspešno snemanje priporočamo, da pred uporabo preizkusite snemalnik funkcijo in jakost zvoka.

Dakujeme, že ste si zakúpili Olympus Digital Voice Recorder. Prečítajte si prosím tento návod pre správne a bezpečné použitie produktu. Návod si uložte pre budúce použitie. Na zaručenie úspešného záznamu vám odporúčame, aby ste pred prvým použitím otestovali funkciu záznamu a hlasitosti.

Olympus Digital Ses Kayıt Cihazını seçtiğiniz için teşekkür ederiz. Lütfen bu kılavuzdaki bilgilerle dikkatlice okuyunuz ve saklayınız. En iyi sonuçları almak için lütfen önceceden test kaydı yapınız.

Дякуємо Вам за придбання ЦИФРОВОГО ДИКТОФОНУ OLYMPUS. Важно прочитайте цю інструкцію, яка містить інформацію про правильне і безпечне використання диктофону. Зберігайте інструкцію у доступному місці, щоб у майбутньому Ви могли легко її знайти. Для забезпечення якісного запису рекомендуємо перевірити функцію запису та гучність звуку перед використанням.





## EN Introduction

- This manual is a basic version. Please refer to the complete advanced manual either from the stored data in the [OL. MANUAL] folder of the recorder or download the data from the OLYMPUS website.
- The contents of this document may be changed in the future without advanced notice. Contact our Customer Support Center for the latest information relating to product names and model numbers.
- The utmost care has been taken to ensure the integrity of the contents of this document. In the unlikely event that a questionable item, error, or omission is found, please contact our Customer Support Center.
- Any liability for passive damages or damage of any kind occurred due to data loss incurred by a defect of the product, repair performed by the third party other than Olympus or an Olympus authorized service station, or any other reason is excluded.

### Trademarks and registered trademarks:

- Microsoft, Windows and Windows Media are registered trademarks of Microsoft Corporation.
- Macintosh is the trademark of Apple Inc.

### Safe and Proper Usage

Before using your new recorder, read this manual carefully to ensure that you know how to operate it safely and correctly. Keep this manual in an easily accessible location for future reference.

- The warning symbols indicate important safety related information. To protect yourself and others from personal injury or damage to property, it is essential that you always read the warnings and information provided.

## Getting Started

### Identification of Parts

- Built-in Microphone
- MIC (Microphone) jack
- HOLD switch
- USB terminal
- STOP (■) button
- PLAY/OK (▶) button
- ◀◀ (Rewind) button
- Battery cover
- FOLDER/INDEX button
- EAR (Earphone) jack
- Display (LCD panel)
- Record/play indicator light
- REC (●) button
- + button
- ▶▶ (Fast Forward) button
- button
- DISP/MENU button
- ERASE (●) button
- Strap hole

### Display (LCD panel):

- Folder indicator
- Microphone sensitivity indicator
- LowCut filter indicator\*
- Variable Control Voice Actuator indicator
- Record mode indicator
- Fast playback indicator
- Slow playback indicator
- Segment repeat playback indicator\*
- Guide indicator
- Character information display
- Recording level meter
- Battery indicator
- Erase lock indicator
- Current file number

\* For VN-6500PC only.

### Inserting Batteries (Fig. 1)

- Lightly press down on the arrow and slide the battery cover open.
- Insert two size-AAA alkaline batteries, observing the correct polarity.
- Close the battery cover completely.
  - When the HOLD switch is set to the direction of the arrow, the display is turned off after [HOLD] is displayed. Follow the next step without regard to it.

An optional Ni-MH Rechargeable Battery (BR401) from Olympus can be used for the recorder.

### Replacing Batteries:

- When [ ] appears on the display, replace the batteries as soon as possible. Size-AAA alkaline batteries are recommended. When the batteries are depleted, [ ] appears on the display, and the recorder shuts off.
- To replace the battery, make sure that you set the HOLD switch to the opposite direction of the arrow before replacing.

### Power Supply (Fig. 2)

#### Power on:

Slide the HOLD switch in the direction opposite that indicated by the arrow.

#### Power off:

Slide the HOLD switch in the direction indicated by the arrow while the recorder is not in operation.

#### Standby Mode and Display Shut Off:

If the recorder is stopped for 5 minutes or longer during recording or playing, it goes into Standby (power-save) mode, and the display shuts off. To exit Standby mode and turn on the display, press any button.

### Setting Time and Date [TIME] (Fig. 3)

When you install batteries for the first time or each time you replace the batteries, the "Month" indication will flash. In such a case, be sure to set the time and date by following steps 4 through 6 described below.

- Press and hold the DISP/MENU button for 1 second or longer to the main menu.
- Press the ▶▶ or ◀◀ button to select [Sub Menu].

### 3 Press the **PLAY/OK** (▶) button.

- **[Time & Date]** appears on the display, and [◀◀00▶▶] flashes.

### 4 Press the ▶▶| or |◀◀ button to select the item to set.

- Select the item from “Month”, “Day”, “Year”, “Hour” and “Minute” with a flashing point.

### 5 Press the + or – button to set.

- Follow the same steps by pressing the ▶▶| or |◀◀ button to elect the next item, and press the + or – button to set.

### 6 Press the **PLAY/OK** (▶) button to complete the setup screen.

- The clock will start from the set date and time.
- Press the **PLAY/OK** (▶) button according to the time signal.

### 7 Press the **STOP** (■) button to close the menu mode.

#### Notes on the Folders (Fig. 4)

The recorder provides five folders, [A], [B], [C], [D] and [E]. To change the folder selection, press the **FOLDER/INDEX** button while the recorder is stopped. Up to a total of 200 files can be recorded in each folder.

- ① Current folder

### Recording (Fig. 5)

#### 1 Press the **FOLDER/INDEX** button to select the desired folder.

#### 2 Press the **REC** (●) button to start recording.

- The record/play indicator light turns red, and recording starts.

#### 3 Press the **STOP** (■) button to stop recording.

- New recordings are saved as the last file in the folder.

- ① Current folder
- ② Current recording mode
- ③ Current file number
- ④ Recording time
- ⑤ Remaining recording time
- ⑥ Recording level meter

### Playback (Fig. 6)

#### 1 Press the **FOLDER/INDEX** button to select the desired folder.

#### 2 Press the ▶▶| or |◀◀ button to select the file to playback.

#### 3 Press the **PLAY/OK** (▶) button to start playback.

- The record/play indicator light turns green, and the elapsed playing time is indicated on the display.

#### 4 Press the + or – button to select the proper sound volume.

- The display shows the volume level. You can choose between [00] to [30].

- ① Current file number
- ② Playing time

#### To Stop: (Fig. 7)

#### Press the **STOP** (■) button.

- The recorder stops in the middle of the file being played.

### Erase

#### Erasing One File at a Time (Fig. 8)

#### 1 Press the **FOLDER/INDEX** button to select folder.

#### 2 Press the ▶▶| or |◀◀ button to select the file to be erased.

- ① File to be erased

#### 3 Press the **ERASE** (●) button.

#### 4 Press the ▶▶| button to select [Start].

#### 5 Press the **PLAY/OK** (▶) button.

#### Erase All Files from a Folder (Fig. 9)

#### 1 Press the **FOLDER/INDEX** button to select the folder to be erased.

- ① Folder to be erased

#### 2 Press the **ERASE** (●) button twice.

#### 3 Press the ▶▶| button to select [Start].

#### 4 Press the **PLAY/OK** (▶) button.

#### Notes:

- An erased file cannot be restored.
- The file set to erase lock will not be erased.

- Completion of erasing may take several seconds. Do not attempt to remove, replace battery or attempt any other functions on the voice recorder during this period because data may be corrupted.

### Other Functions

#### Connecting to Your PC (Fig. 10)

Apart from using this unit as a recorder, you can use it as an external memory for your computer, as a storage device.

- The audio files recorded by this recorder can be played back on your computer using Windows Media Player. You can also transfer the WMA files downloaded with Windows Media Player to your recorder and enjoy them (excluding files with copyright protection).

#### 1 Connect the recorder's USB terminal to a PC USB port or USB hub.

- Once [Remote] is displayed, you can save or read the data.

#### 2 Transfer the audio files to your computer.

- Connect the recorder to your computer and launch Explorer.
- The recorder will be recognized as a removable disk.

- Each of the five folders is named as DSS\_FLDA, B, C, D and E. The audio files are saved in these folders.

- All the audio files recorded by this recorder will be in WMA format.

i.e.:

VN-6500PC: VN\_650001.WMA  
VN-5500PC: VN\_550001.WMA  
VN-3500PC: VN\_350001.WMA

- If you are using Windows 2000, Windows Media Player must be installed on the PC.

#### 3 Click [ ] on the task bar located at the lower-right corner of the screen. Click [Safely Remove Hardware].

- ① USB terminal
- ② Sending the date
- ③ Receiving the data

## Using the recorder on your PC

<b>Windows</b>	<b>Operating System:</b> Microsoft Windows 2000/XP/Vista (Standard Installation) <b>Compatible PC's:</b> Windows PC's equipped with more than one free USB port
<b>Macintosh</b>	<b>Operating System:</b> Mac OS X 10.2.8 ~ 10.5 (Standard Installation) <b>Compatible PC's:</b> Apple Macintosh series equipped with more than one free USB port

The support service will not cover if your PC has been updated from Windows 95 or 98 to Windows 2000/XP/Vista. Any failure on a self-modified PC will not be covered under the operational warranty.

### Notes:

- NEVER disconnect the USB while the record/play indicator light is flashing in red. If you do so, the data may be destroyed.
- Refer to the user's manual for your PC regarding the USB port or USB hub on your PC.
- As the noise may cause adverse effects on electronics devices nearby the recorder, unplug the earphone when you connect the recorder to a PC.

## General Precautions

Read this manual carefully to ensure that you know how to operate it safely and correctly. Keep this manual in an easily accessible location for future reference.

- The warning symbols indicate important safety related information. To protect yourself and others from personal injury or damage to property, it is essential that you always read the warnings and information provided.

## Warning regarding data loss:

- Recorded content in memory may be destroyed or erased by operating mistakes, unit malfunction, or during repair work.
- For important recorded content, we recommend you to write it down some where or make a back-up by downloading to a PC.
- Any liability for passive damages or damage of any kind occurred due to data loss incurred by a defect of the product, repair performed by the third party other than Olympus or an Olympus authorized service station, or any other reasons is excluded from Olympus's liability.

## For safe and correct Usage

- Use your earphones only after sufficiently reducing the volume of the earphones, otherwise hearing impairment and/or hearing disorders may occur.
- Do not use your earphone at a high volume for an extended period of time as hearing impairment and/or hearing disorders may occur.
- Be sure to stop the recorder before replacing the batteries. Unloading the batteries while the recorder is in use may corrupt the file.
- Do not leave the recorder in hot, humid locations such as inside a closed automobile under direct sunlight or on the beach in the summer.
- Do not store the recorder in places exposed to excessive moisture or dust.
- Do not use organic solvents such as alcohol and lacquer thinner to clean the unit.
- Do not place the recorder on top of or near electric appliances such as TVs or refrigerators.
- Avoid sand or dirt. These can cause irreparable damage.
- Avoid strong vibrations or shocks.
- Do not disassemble, repair or modify the unit yourself.
- Do not operate the unit while operating a vehicle (such as a bicycle, motorcycle, or go-cart).
- Keep the unit out of the reach of children.

## Batteries

### ⚠ Warning:

- Batteries should never be exposed to flame, heated, short-circuited or disassembled.
- Do not attempt to recharge alkaline, lithium or any other non-rechargeable batteries.
- Never use any battery with a torn or cracked outer cover.
- Keep batteries out of the reach of children.
- If you notice anything unusual when using this product such as abnormal noise, heat, smoke, or a burning odor:
  - ① remove the batteries immediately while being careful not to burn yourself, and;
  - ② call your dealer or local Olympus representative for servicing.

## Specifications

### Recording medium:

Built-in flash memory

### Overall frequency:

**VN-6500PC, VN-5500PC:**

HQ mode: 200 to 13,000 Hz

SP mode: 200 to 7,000 Hz

LP mode: 200 to 3,000 Hz

**VN-3500PC:**

HQ mode: 200 to 13,000 Hz

SP mode: 200 to 7,000 Hz

LP mode: 200 to 3,000 Hz

### Recording time:

**VN-6500PC, VN-5500PC: 512 MB**

HQ mode: Approx. 35 hours 20 minutes

SP mode: Approx. 69 hours 35 minutes

LP mode: Approx. 221 hours 30 minutes

**VN-3500PC: 128 MB**

HQ mode: Approx. 8 hours 40 minutes

SP mode: Approx. 17 hours 10 minutes

LP mode: Approx. 54 hours 40 minutes

- The above-noted recording times indicate times after deletion of the manual data stored in the recorder.
- The manual data can be deleted by connecting to a computer and deleting or by formatting the recorder. For details, please

see “**Formatting the Recorder [Format]**”.

- Before deleting the data, please make a backup file of the PDF data of the manual.

**Microphone:**

Electret Condenser Microphone (monaural)

**Speaker:**

Built-in  $\varnothing$  23 mm round dynamic speaker

**Maximum power:**

250 mW

**Maximum headphone output:**

$\leq 150$  mV (according to EN 50332-2)

**Wideband characteristic headphone output:**

$75$  mV  $\leq$  (according to EN 50332-2)

**Earphone jack (monaural):**

$\varnothing$  3.5 mm diameter, impedance 8  $\Omega$

**Microphone jack (monaural):**

$\varnothing$  3.5 mm diameter, impedance 2 k $\Omega$

**Power supply:**

Two AAA (LR03) batteries or Two Ni-MH rechargeable batteries

**Continuous battery:**

Alkaline batteries:

Approx. 37 hours

Ni-MH rechargeable batteries:

Approx. 25 hours

**Dimensions:**

102 (L) x 37 (W) x 18.8 (T) mm

**Weight:** 64.8 g (including battery)

- Battery life is measured by Olympus. It varies greatly according to the type of batteries used and the conditions of use.
- Your recorded contents are for your personal use or pleasure only. It is prohibited to record copyrighted material without permission of the copyright holders according to copyright law.
- Specifications and design are subject to change without notice for improvement of performance.

## Accessories (Optional)

**Ni-MH Rechargeable Battery**

**Charger:** BU-400 (Europe only)

**Ni-MH Rechargeable Battery:**

BR401

**Connecting cord (Earphone jack  $\leftrightarrow$ )**

**Microphone jack:** KA333

**Noise-Cancellation microphone:**

ME52

**Electret condenser microphone:**

ME15

**Dual monaural earphone:** E20

**Telephone pickup:** TP7

**Neck Strap:** ST26



“CE” mark indicates that this product complies with the European requirements for safety, health, environment and customer protection.



This symbol [crossed-out wheeled bin WEEE Annex IV] indicates separate collection of waste electrical and electronic equipment in the EU countries.



Please do not throw the equipment into the domestic refuse. Please use the return and collection systems available in your country for the disposal of this product.

Applicable Product: VN-6500PC, VN-5500PC, VN-3500PC



This symbol [crossed-out wheeled bin Directive 2006/66/EC Annex II] indicates separate collection of waste batteries in the EU countries. Please do not

throw the batteries into the domestic refuse. Please use the return and collection systems available in your country for the disposal of the waste batteries.

- Тази инструкция за експлоатация е базов вариант. Моля, вижте пълната инструкция за експлоатация в съхраняната информацияпапка[OL\_MANUAL] на записващото устройство или сваляте информацията от уеб страницата на OLYMPUS.
- Съдържанието на този документ може да бъде променено в бъдеще без предварително предупреждение. Свържете се с нашия Център за обслужване на клиентите, за да получите актуална информация относно имената на продуктите и номерата на моделите.
- Положени са максимални усилия за осигуряване на цялостта на съдържанието на този документ. При малко вероятното откриване на съмнителен пункт, грешка или пропуск, моля да се свържете с нашия Център за обслужване на клиентите.
- Изключена е всяка отговорност за пасивни щети или повреда от всякакво естество, дължаща се на загуба на данни в резултат на дефект в продукта, поправка, извършена от трето лице, различно от Olympus или оторизиран от Olympus сервиз, или всякакви други причини.

**Търговски марки и регистрирани търговски марки**

- Microsoft, Windows и Windows Media са регистрирани търговски марки на корпорацията Microsoft.
- Macintosh е търговска марка на Apple Inc.

**Безопасна и правилна употреба**

- Преди за започнете да използвате Вашето ново записващо устройство, прочетете внимателно този наръчник, за да се уверите, че знаете как да работите безопасно и правилно с продукта. Съхранявайте този наръчник на лесно достъпно място за бъдеща справка.
- Предупредителните символи дават важна информация относно безопасността. За да предпазите себе си и други лица от физическо нараняване или повреда върху имущество, е от съществено значение винаги да четете предупрежденията и информацията, която Ви се предоставя.

**Как да започнете****Идентифициране на частите**

- 1 Вграден микрофон
  - 2 MIC (Микрофон) буска
  - 3 HOLD превключвач
  - 4 USB терминал
  - 5 бутон STOP (■)
  - 6 Бутон PLAY/OK (▶)
  - 7 ◀◀ (Превъртане назад) бутон
  - 8 Капак на гнездото за батерията
  - 9 бутон FOLDER/INDEX
  - 10 EAR (Слушалка) буска
  - 11 Екран (LCD панел)
  - 12 Индикаторна свитлина при запис/ възпроизвеждане
  - 13 бутон REC (●)
  - 14 бутон +
  - 15 ▶▶▶ (Бързо превъртане напред) бутон
  - 16 бутон –
  - 17 бутон DISP/MENU
  - 18 бутон ERASE (●)
  - 19 Отвор за каишка за носене
- Каишка за носене не е налична. Използвайте аксесоарите в опция.

**Екран (LCD панел):**

- 1 Индикатор папка
- 2 Индикатор за чувствителността на микрофона
- 3 Индикатор за филтър LowCut\*
- 4 Индикатор за регулируемия гласов активатор
- 5 Индикатор за режим на запис
- 6 Индикатор за бързо възпроизвеждане
- 7 Индикатор за бавно възпроизвеждане
- 8 Индикатор за възпроизвеждане на сегментирано повторение\*
- 9 Индикатор ръководство
- 4 Екран за информация за символите Измерване нивото на запис
- 5 Индикатор батерия
- 6 Индикатор за заключване на изтриването
- 7 Номер на текущ файл

\* Само за VN-6500PC.

**Поставяне на батериите (Фиг. 1)**

- 1 Натиснете леко върху стрелката и плъзнете капака на батерията, за да се отвори.
- 2 Сложете две алкални батерии с размер AAA, като следите за правилните полюси.
- 3 Затворете напълно капака на батерията.
  - Когато превключвателят HOLD е настроен по посока на стрелката, екранът се изключва след като на него се покаже [HOLD]. Преминете формално през следващата стъпка.

**Презареждаемите батерии Ni-MH (BR401) (по избор) от Olympus могат да бъдат използвани в записващото устройство.**

**Смяна на батериите:**

Когато се появи на екрана, сменете батериите колкото е възможно по-скоро. Препоръчват се алкални батерии с размер AAA. Когато батериите са изтощени, на екрана се появява и записващото устройство се изключва.

- За да заместите батерията, уверете се, че сте настроили превключвача HOLD в посока, противоположна на стрелката, преди да извършите смяната.

**Електрозахранване (Фиг. 2)****Включване:**

Плъзнете превключвача HOLD по посока, противоположна на тази, посочена от стрелката.

**Изключване:**

Плъзнете превключвача HOLD по посока, посочена от стрелката, докато записващото устройство е в покой.

**Режим Standby и изключване на екрана:**

Ако записващото устройство е спрало за 5 или повече минути по време на запис или възпроизвеждане, се включва режим Standby (енергоспестяващ) и екранът се изключва. За да излезнете от режим Standby и за да включите екрана, натиснете произволен бутон.

**Настройване на часовото време и датата [Time & Date] (Фиг. 3)**

Когато поставяте батерии за първи път или всеки път, когато смените батериите, индикаторът „Месец“ ще светва. В такъв случай уверете се, че сте настроили часа

и датата, следвайки следните стъпки от 4 до 6, описани по-долу.

**1 Натиснете със задържане бутона DISP/MENU за 1 секунда или повече, за да отидете на главното меню.**

**2 Натиснете бутон ►►| или |◄◄, за да изберете [Sub Menu].**

**3 Натиснете бутон PLAY/OK (►).**  
• [Time & Date] се появява на екрана и светва [►◄OK►►].

**4 Натиснете бутон ►►| или |◄◄, за да изберете обекта за настройване.**  
• Изберете обекта от „Месец“, „Ден“, „Година“, „Час“ и „Минута“ с миша курсор.

**5 Натиснете бутон + или – за настройка.**  
• Преминете през същите стъпки, като натискате бутон ►►| или |◄◄, за да изберете следващия обект, и натиснете бутон + или – за настройка.

**6 Натиснете бутон PLAY/OK (►), за да довършите настройките на екрана.**  
• Часовникът ще стартира от зададената дата и час.  
• Натиснете бутон PLAY/OK (►) съгласно времевия сигнал.

**7 Натиснете бутон STOP (■), за да затворите режима за меню.**

#### Забележки относно папките (Фиг. 4)

Записващото устройство осигурява пет папки [F1], [F2], [F3], [F4] и [F5]. За да промените избора на папка, натиснете бутон FOLDER/INDEX докато записващото устройство не работи. Във всяка папка могат да се запишат не повече от 200 файла.

① Настояща папка

#### Записване (Фиг. 5)

**1 Натиснете бутон FOLDER/INDEX, за да изберете желаната папка.**

**2 Натиснете бутон REC (●), за да стартирате записването.**  
• Индикаторът за запис/възпроизвеждане светва в червено и стартира записването.

**3 Натиснете бутон STOP (■), за да спрете записването.**

• Нови записи се съхраняват като последен файл в папката.

- ① Текуща папка
- ② Текущ режим на запис
- ③ Текущ номер на файла
- ④ Време на запис
- ⑤ Оставашо време за запис
- ⑥ Измерване нивото на запис

#### Възпроизвеждане (Фиг. 6)

**1 Натиснете бутон FOLDER/INDEX, за да изберете желаната папка.**

**2 Натиснете бутон ►►| или |◄◄, за да изберете файла за възпроизвеждане.**

**3 Натиснете бутон PLAY/OK (►) за стартиране на възпроизвеждането.**  
• Индикаторът за запис/възпроизвеждане светва в зелено и изминалото време се появява на екрана.

**4 Натиснете бутон + или – , за да изберете подходяща сила на звука.**  
• Екранът показва нивото на силата на звука. Можете да избирате между [00] до [30].

- ① Текущ номер на файл
- ② Време за възпроизвеждане

За да спрете: (Фиг. 7)

Натиснете бутон STOP (■).

• Записващото устройство спира по средата на възпроизвежданя файл.

#### Изтриване

Изтриване по един файл наведнъж (Фиг. 8)

**1 Натиснете бутон FOLDER/INDEX, за да изберете папка.**

**2 Натиснете бутон ►►| или |◄◄, за да изберете файла, който искате да изтриете.**

① Файл за изтриване

**3 Натиснете бутон ERASE (●).**

**4 Натиснете бутон ►►| , за да изберете [Start].**

**5 Натиснете бутон PLAY/OK (►).**

Изтриване на всички файлове от папка (Фиг. 9)

**1 Натиснете бутон FOLDER/INDEX, за да изберете папката, която искате да изтриете.**

① Папка за изтриване

**2 Натиснете бутон ERASE (●) два пъти.**

**3 Натиснете бутон ►►| , за да изберете [Start].**

**4 Натиснете бутон PLAY/OK (►).**

**Забележки :**

- Изтрил файл не може да бъде възстановен.
- Файл, който е заключен срещу изтриване, няма да бъде изтрил.
- Завършването на изтриването може да отнеме няколко секунди. Не се опитвайте да махате, замествате батерията или да правите нещо друго на гласовото записващо устройство през това време, защото можете да унищожите информация.

#### Други функции

Свързване с Вашия компютър (Фиг. 10)

Освен, че можете да използвате този уред като записващо устройство, вие можете да го използвате и като външна памет за вашия компютър, като съхраняващ уред.

- Аудио файловете, записани с това записващо устройство, могат да бъдат възпроизведени на вашия компютър посредством Windows Media Player. Също така можете да прехвърляте WMA файлове, свалени с Windows Media Player на вашето записващо устройство и да им се наслаждавате (файлове, защитени с авторско право).

**1 Свържете USB терминала на записващото устройство към PC USB вход или USB букса.**

• Покаже ли се веднъж [Remote] вие можете да запазите или прочетете информацията.

**2 Прехвърлете аудио файловете на вашия компютър.**

• Свържете записващото устройство към вашия компютър и заредете Explorer.

- Записващото устройство ще бъде разпознато като Removable Disk.
- Всяка една от петте папки е наименувана като DSS\_FLDA, B, C, D и E. Аудио файловете са съхранени в тези папки.

- Всички аудио файлове, записани от това записващо устройство, ще бъдат в WMA формат.

т.е.:

VN-6500PC : VN\_650001.WMA

VN-5500PC : VN\_550001.WMA

VN-3500PC : VN\_350001.WMA

- Ако използвате Windows 2000, трябва да инсталирате Windows Media Player на вашия компютър.

### 3 Кликнете върху [ ] на лентата със задачи, намиращо се в долния десен ъгъл на екрана. Кликнете върху [Безопасно премахване на хардуер].

- 1 USB терминал
- 2 Изпращане на дана
- 3 Получаване на дана

#### Използване на записващото устройство на вашия компютър

<b>Windows</b>	<p><b>Операционна система:</b> Microsoft Windows 2000 / XP / Vista (стандартно инсталиране)</p> <p><b>Съвместими компютри:</b> Windows компютри, снабдени с повече от един свободен USB порт</p>
<b>Macintosh</b>	<p><b>Операционна система:</b> Mac OS X 10.2.8 ~ 10.5 (стандартно инсталиране)</p> <p><b>Съвместими компютри:</b> От серията Apple Macintosh, снабдени с повече от един свободен USB порт</p>

Поддържащата услуга няма да влезне в сила, ако операционната система на вашия компютър е сменена от Windows 95 или 98 на Windows 2000/XP/Vista. Повреда в компютъра след собственоръчна промяна може да не се покрива от операционната гаранция.

#### Забележки :

- НИКОГА не изваждайте USB

устройството, докато индикаторът запис/възпроизвеждане свети в червено. Ако го направите, информацията може да бъде унищожена.

- Направете справка с наръчника на потребителя за Вашия компютър във връзка с USB порта на компютъра Ви.
- Тъй като шумът може да има неблагоприятен ефект върху електронните апарати в близост до записващото устройство, изключете слушалката от гнездото, когато свързвате записващото устройство с компютър.

### Общи предпазни мерки

Прочетете този наръчник внимателно, за да се уверите, че вие знаете как да работите с него безопасно и коректно. Съхранявайте този наръчник на лесно достъпно място за бъдеща справка.

- Предупредителните символи дават важна информация относно безопасността. За да предпазите себе си и други лица от физическо нараняване или повреда върху имущество, е от съществено значение винаги да четете предупрежденията и информацията, която Ви се предоставя.

#### Предупреждение относно загуба на данни :

- Записаното в паметта съдържание може да бъде унищожено или изтрило поради грешки при употребата, неизправност на устройството, или по време на поправка.
- За важно записано съдържание ние ви препоръчваме да го запишете някъде или да направите резервно копие като го свалите на компютъра си.
- От отговорността на Olympus е изключена всякаква отговорност за пасивни щети или повреди от всякакво естество, възникнали в резултат на загуба на данни, причинена от дефект на продукта, поправка, извършена от трето лице, различно от Olympus или авторизиран сервис на Olympus, или всякакви други причини.

### За безопасна и правилна употреба

- Използвайте вашите слушалки само след като намалите осезателно силата на звука им, в противен случай можете да си причините увреждане на слуха и/или слухово разстройство.

- Не използвайте вашите слушалки при висока сила на звука за продължително време, защото това може да доведе до увреждане на слуха и/или слухово разстройство.

- Уверете се, че сте спрели записващото устройство преди да извадите батериите. Изваждането на батериите докато записващото устройство работи, може да повреди файла.

- Не оставяйте записващото устройство на горещи, влажни места, като например вътре в затворен автомобил, изложено на пряка слънчева светлина или на плажа през лятото.

- Не съхранявайте записващото устройство на места, изложени на прекомерна влага или прах.

- Не използвайте органични разтворители като алкохолен и лаков разредител за почистване на устройството.

- Не поставяйте записващото устройство върху или в близост до електрически уреди като телевизори или хладилници.

- Избягвайте записването или възпроизвеждането в близост до мобилни телефони или други безжични устройства, тъй като те могат да причинят интерференция и шум. Ако доловите шум, преместете се на друго място или преместете записващото устройство далеч от такива устройства.

- Избягвайте пясък или мръсотия. Те могат да предизвикат непоправими щети.

- Избягвайте силни вибрации или удари.

- Не разглобявайте, не поправяйте и не модифицирайте сами устройството.

- Не използвайте устройството, докато управлявате превозно средство (като например велосипед, мотоциклет или детска спортна количка).

- Съхранявайте устройството далеч от деца.



## Батерия

### ⚠ Внимание

- При никакви обстоятелства не слагайте други части, освен основната, в отделението за батерията. Това може да причини протичане на батерията, прегряване, пожар или експлозия.
- Батериите не бива никога да бъдат излагани на огън, загряване, късо съединение, или да бъдат разглобявани.
- Не правете опит за презареждане на алкални, литиеви или всякакви други не презареждаеми батерии.
- Никога не използвайте каквата и да било батерия с разкъсана или напукана външна обвивка.
- Съхранявайте батериите далеч от деца.
- Ако при използването на продукта забележите нещо необичайно, като например неестествен шум, загряване, пушек или мирис на изгоряло:

- ① отстранете батериите незабавно, като внимавате да не се изгорите, и;
- ② се обадете на Вашия дилър или на регионалния представител на Olympus за обслужване на клиенти.

## Спецификации

### Записващо средство:

Вградена флеш памет

### Обща честота:

**VN-6500PC, VN-5500PC:**

Режим HQ: 200 до 13.000 Hz

Режим SQ: 200 до 7.000 Hz

Режим LP: 200 до 3.000 Hz

**VN-3500PC:**

Режим HQ: 200 до 13.000 Hz

Режим SQ: 200 до 7.000 Hz

Режим LP: 200 до 3.000 Hz

### Време за запис:

**VN-6500PC, VN-5500PC: 512 MB**

Режим HQ: Приблизително 35

часа и 20 минути

Режим SP: Приблизително 69 часа и 35 минути

Режим LP: Приблизително 221

часа и 30 минути

**VN-3500PC: 128 MB**

Режим HQ: Приблизително 8 часа и 40 минути

Режим SP: Приблизително 17 часа и 10 минути

Режим LP: Приблизително 54 часа и 40 минути

- Горепосоченото време за запис индикира времето след изтриване на ръчно съхранената информация в записващото устройство.
- Информацията от наръчника може да бъде изтрита чрез свързване към компютър и изтриване или форматиране на записващото устройство. За повече подробности, моля, вижте „**Форматиране на записващото устройство [Format] (Формат)**“.
- Преподавайте информацията, моля, на правите резервно копие на информацията в PDF от наръчника.

### Микрофон:

Електронен микрофон кондензатор (монофоничен)

### Високоговорител:

Вграден 23 мм кръгъл динамичен високоговорител

### Максимална мощност:

250 mW

### Максимална мощност на слушалките:

≤ 150 mW

(според директива EN 50332-2)

### Букса за слушалки (монофонични):

ø 3,5 мм диаметър, импеданс 8 Ω

### Букса за микрофон (монофоничен):

ø 3,5 мм диаметър, импеданс 2 kΩ

### Електрозахранване:

Две AAA (LR03) батерии или две Ni-MH презареждаеми батерии

### Постоянна батерия:

Алкални батерии:

Приблизително 37 часа

Ni-MH презареждащи се батерии:

Приблизително 25 часа

### Размери:

102 (L) mm x 37 (W) mm x 18,8 (T) mm (без изпъкналите части)

### Тегло: 64,8 гр. (включително батерията)

- Животът на батерията е измерен от Olympus. Той варира спрямо вида на използваните батерии и условията на употреба.

- Вашето записано съдържание е само за ваша лична употреба или удоволствие. Забранено е да записвате материал с авторско право без разрешение от

притежателите на това право според закона за авторското право.

- Спецификациите и дизайнът са обект на промяна без предупреждение за подобрение на изпълнението.

## Акcesoари (Опция)

**Зареждащо устройство за Ni-MH презареждаеми се батерии:** BU-400 (само за Европа)

**Презареждаема Ni-MH батерия:**

BR401

**Свързваща връв (Букса за слушалки ↔ Букса за микрофон):** KA333

**Микрофон за отстраняване на шума:** ME52

**Електронен микрофон кондензатор:** ME15

**Двойни монофонични слушалки:** E20

**Телефонна мембрана:** TP7

**Връзка за врата:** ST26



Знакът „CE“ означава, че този продукт отговаря на Европейските изисквания за безопасност, опазване на здравето и на околната среда, и защита на потребителя.



Този символ [задраскана кофа за боклук с колапа WEEE Анекс IV] показва отделното събиране на отпадъците от електрическо и електронно оборудване в страните от ЕС.

Моля, не изхвърляйте оборудването в домашния боклук. Моля, за освобождаване от този продукт да използвате системите за връщане и събиране във Вашата страна. Приложим продукт: VN-6500PC, VN-5500PC, VN-3500PC



Този символ [задраскана кофа за боклук с колапа Директива 2006/66/ЕС Анекс II] показва разделно събиране на изтощените батерии в страните от Европейския съюз. Моля, не изхвърляйте батериите в домашния боклук. Моля, за освобождаване от батериите да използвате системите за връщане и събиране във Вашата страна.

- Toto je základní verze manuálu. Kompletní rozšířený manuál najdete buďto ve složce **[OL\_MANUAL]** diktafonu nebo si jej stáhněte z webových stránek OLYMPUS.
- Obsah tohoto dokumentu se může v budoucnosti bez předchozího upozornění změnit. Chcete-li získat nejnovější informace o názvech výrobků a číslech modelů, kontaktujte oddělení podpory zákazníků.
- Správnosti obsahu tohoto dokumentu byla věnována maximální péče. Pokud přesto naleznete nesrovnalosti, chybu nebo chybějící informaci, kontaktujte oddělení podpory zákazníků.
- Společnost Olympus nenese odpovědnost za poškození nebo jakékoli škody vzniklé v důsledku ztráty dat způsobené poruchou produktu, opravy provedené jiným subjektem než společností Olympus nebo autorizovaným servisním střediskem Olympus nebo z jiných důvodů.

**Ochranné známky a registrované ochranné známky:**

- Microsoft, Windows a Windows Media jsou registrované ochranné známky společnosti Microsoft Corporation.
- Macintosh je ochranná známka společnosti Apple Inc.



**Správné a bezpečné používání**

- Před používáním nového diktafonu si pozorně přečtete tuto příručku, abyste se s ním naučili bezpečně a správně zacházet. Ušchovejte tuto příručku na snadno přístupném místě pro budoucí použití.**
- Varovné symboly upozorňují na důležité informace týkající se bezpečnosti. Abyste ochránili sebe a ostatní před zraněním nebo věcným poškozením, je důležité, abyste si vždy přečetli všechna předložená varování a informace.

**Začínáme**

**Popis částí**

- 1 Vestavěný mikrofon
  - 2 Konektor MIC (mikrofon)
  - 3 Přepínač HOLD
  - 4 Zásuvka USB
  - 5 Tlačítko STOP (■)
  - 6 Tlačítko PLAY/OK (▶)
  - 7 Tlačítko ◀◀ (převíjení vzad)
  - 8 Kryt baterií
  - 9 Tlačítko FOLDER/INDEX
  - 10 Konektor EAR (sluchátka)
  - 11 Displej (panel LCD)
  - 12 Kontrolka nahrávání/přehrávání
  - 13 Tlačítko REC (●)
  - 14 Tlačítko +
  - 15 Tlačítko ▶▶ (převíjení vpřed)
  - 16 Tlačítko -
  - 17 Tlačítko DISP/MENU
  - 18 Tlačítko ERASE (●)
  - 19 Otvor na poutko
- Poutko není součástí dodávky. Použijte volitelné příslušenství.

**Displej (panel LCD):**

- 1 Indikátor složky
- 2 Indikátor citlivosti mikrofonu
- Indikátor filtru LowCut\*
- Indikátor hlasové aktivity nahrávání (VCVA)
- Indikátor režimu nahrávání
- Indikátor rychlého přehrávání
- Indikátor pomalého přehrávání
- Indikátor opakovaného přehrávání segmentu\*

- 3 Navigační indikátor
- 4 Zobrazení informací o stavu
- Měříči hlasitosti nahrávání
- 5 Indikátor stavu baterie
- 6 Indikátor zámku mazání
- 7 Číslo aktuálního souboru

\* Pouze pro model VN-6500PC.

**Vložení baterií (Obr. 1)**

- 1 Lehce zatlačte na šipku a posunutím otevřete kryt baterie.
- 2 Vložte dvě alkalické baterie typu AAA; dbejte přitom na správnou polaritu.
- 3 Zavřete zcela kryt baterií.
  - Při přesunutí přepínače HOLD ve směru šipky se displej vypne po zobrazení údajů [HOLD]. Pokračujte dalším krokem bez ohledu na tuto skutečnost.

**V diktafonu lze volitelně použít dobijící baterie Ni-MH (BR401) od společnosti Olympus.**

**Výměna baterií:**

- Zobrazí-li se na displeji symbol , vyměňte co nejdříve baterie. Doporučujeme používat alkalické baterie typu AAA. Jsou-li baterie vyčerpané, na displeji se zobrazí symbol a diktafon se vypne.
- Chcete-li baterie vyměnit, ujistěte se, že je přepínač HOLD před výměnou nastaven v poloze proti směru šipky.

**Zdroj napájení (Obr. 2)**

**Zapnutí:**

Přesuňte přepínač HOLD v opačném směru, než který ukazuje šipka.

**Vypnutí:**

Přesuňte přepínač HOLD ve směru šipky, když diktafon není v provozu.

**Pohotovostní režim a vypnutí displeje:**

Nahrávání během nahrávání nebo přehrávání zastavené podobu 5 minut číve, přepne se do pohotovostního (úsporného) režimu a displej se vypne. Chcete-li ukončit pohotovostní režim a zapnout displej, stiskněte libovolné tlačítko.

**Nastavení času a data**

**[Time & Date] (Obr. 3)**

Při první instalaci a po každé výměně baterií bude blikat údaj „Month“. V takovém případě nastavte čas a datum provedením kroků 4 až 6, které jsou popsány níže.

- 1 Stisknutím a přidržením tlačítka DISP/MENU po dobu alespoň 1 sekundy přejdete do hlavní nabídky.
- 2 Stisknutím tlačítka ▶▶▶ nebo ◀◀◀ zvolte položku [Sub Menu].

### 3 Stiskněte tlačítko **PLAY/OK** (▶).

- Na displeji se zobrazí nastavení [Time & Date]; bude blikat znak [⏮⏪▶▶⏭].

### 4 Pomocí tlačítka ▶▶▶ nebo ◀◀◀ zvolte položku, kterou chcete nastavit.

- Pomocí blikajícího bodu vyberte možnost „Month“, „Day“, „Year“, „Hour“ nebo „Minute“.

### 5 Pomocí tlačítek + nebo – proveďte nastavení.

- Stejným postupem pomocí tlačítek ▶▶▶ a ◀◀◀ zvolte další položku a pomocí tlačítek + a – proveďte nastavení.

### 6 Stisknutím tlačítka **PLAY/OK** (▶) ukončíte obrazovku nastavení.

- Hodiny se spustí od nastaveného data a času.
- Stiskněte tlačítko **PLAY/OK** (▶) podle časového signálu.

### 7 Stisknutím tlačítka **STOP** (■) ukončíte režim nabídky.

#### Informace o složkách (Obr. 4)

Diktafon má k dispozici pět složek, [A], [B], [C], [D] a [E]. Chcete-li změnit výběr složky, stiskněte tlačítko **FOLDER/INDEX** ve chvíli, kdy je diktafon zastaven. Do každé složky lze uložit celkem až 200 souborů.

- ① Aktuální složka

### Nahrávání (Obr. 5)

#### 1 Pomocí tlačítka **FOLDER/INDEX** zvolte požadovanou složku.

#### 2 Stisknutím tlačítka **REC** (●) zahájíte nahrávání.

- Indikátor nahrávání/přehrávání se rozsvítí červeně a nahrávání bude zahájeno.

#### 3 Stisknutím tlačítka **STOP** (■) ukončíte nahrávání.

- Nové záznamy budou uloženy jako poslední soubor ve složce.

- ① Aktuální složka
- ② Aktuální režim nahrávání
- ③ Číslo aktuálního souboru
- ④ Doba nahrávání
- ⑤ Zbývajcí délka záznamu
- ⑥ Měřič úrovně nahrávání

### Přehrávání (Obr. 6)

#### 1 Pomocí tlačítka **FOLDER/INDEX** zvolte požadovanou složku.

#### 2 Pomocí tlačítka ▶▶▶ nebo ◀◀◀ zvolte soubor, který chcete přehrát.

#### 3 Stisknutím tlačítka **PLAY/OK** (▶) zahajete přehrávání.

- Indikátor nahrávání/přehrávání se rozsvítí zeleně a na displeji se zobrazí údaj o uplynulém čase.

#### 4 Pomocí tlačítka + nebo - zvolte požadovanou hlasitost.

- Na displeji se zobrazí úroveň hlasitosti. Lze volit v rozmezí [00] až [30].

- ① Číslo aktuálního souboru
- ② Čas přehrávání

#### Zastavení: (Obr. 7)

#### Stiskněte tlačítko **STOP** (■).

- Diktafon ukončí přehrávání uprostřed souboru.

### Mazání

#### Mazání jednotlivých souborů (Obr. 8)

#### 1 Pomocí tlačítka **FOLDER/INDEX** zvolte složku.

#### 2 Pomocí tlačítka ▶▶▶ nebo ◀◀◀ zvolte soubor, který chcete vymazat.

- ① Soubor k vymazání

#### 3 Stiskněte tlačítko **ERASE** (●).

#### 4 Stisknutím tlačítka ▶▶▶ zvolte položku [Start].

#### 5 Stiskněte tlačítko **PLAY/OK** (▶).

#### Mazání všech souborů ve složce

#### (Obr. 9)

#### 1 Pomocí tlačítka **FOLDER/INDEX** zvolte složku, kterou chcete vymazat.

- ① Složka k vymazání

#### 2 Stiskněte dvakrát tlačítko **ERASE** (●).

#### 3 Stisknutím tlačítka ▶▶▶ zvolte položku [Start].

#### 4 Stiskněte tlačítko **PLAY/OK** (▶).

#### Poznámky:

- Vymazaný soubor již nelze obnovit.
- Soubor se zámekem proti vymazání nelze vymazat.

- Dokončení vymazání může trvat několik sekund. Během této doby se nepokoušejte vyjmát či vyměňovat baterie ani používat jiné funkce diktafonu, jinak může dojít k poškození dat.

### Další funkce

#### Připojení k počítači (Obr. 10)

Jednotku lze používat nejen jako diktafon, ale také jako externí paměť počítače, tedy jako úložné zařízení.

- Zvukové soubory zaznamenané diktafonem lze v počítači přehrát pomocí aplikace Windows Media Player. Do diktafonu lze rovněž přenést soubory WMA stažené pomocí aplikace Windows Media Player a přehrávat je (s výjimkou souborů s ochranou autorských práv).

#### 1 Připojte konektor USB diktafonu k zásuvce USB v počítači nebo k rozbočovači USB.

- Jakmile se zobrazí údaj [Remote], je možné ukládat a načítat data.

#### 2 Přeneste zvukové soubory do počítače.

- Připojte diktafon k počítači a spusťte aplikaci Průzkumník.
- Diktafon bude rozpoznán jako vyměnitelný disk.
- Jednotlivé složky jsou pojmenovány DSS\_FLDA, B, C, D a E. Zvukové soubory jsou uloženy v těchto složkách.

- Všechny soubory zaznamenané diktafonem jsou uloženy ve formátu WMA.

Příklad názvu souboru:

VN-6500PC; VN\_650001.WMA  
VN-5500PC; VN\_550001.WMA  
VN-3500PC; VN\_350001.WMA

- Používáte-li systém Windows 2000, musíte program Windows Media Player do počítače nainstalovat.

#### 3 Klepněte na ikonu [ ] na panelu v pravém dolním rohu obrazovky. Klepněte na položku [Bezpečně odebrání hardware].

- ① Zásuvka USB
- ② Odesílání dat
- ③ Přijem dat

## Použití diktafonu s počítačem

Windows	<b>Operační systém:</b> Microsoft Windows 2000/XP/Vista (standardní instalace)
	<b>Kompatibilní počítače:</b> Počítače se systémem Windows vybavené alespoň jedním volným portem USB
Macintosh	<b>Operační systém:</b> Mac OS X 10.2.8 ~ 10.5 (standardní instalace)
	<b>Kompatibilní počítače:</b> Počítače řady Apple Macintosh vybavené alespoň jedním volným portem USB

Služba podpory nezahrnuje systém počítače aktualizovaný z Windows 95 nebo 98 na Windows 2000/XP/Vista. Na jakékoli selhání počítače, který byl upravován svépomocí, se nevztahuje provozní záruka.

### Poznámky:

- Kabel USB NIKDY neodpojíte, blíká-li indikátor nahrávání/přehrávání červeně. Pokud byste to učinili, mohlo by dojít ke zničení dat.
- Informace týkající se zásuvky USB nebo rozbočovače USB v počítači najdete v uživatelské příručce k počítači.
- Vzhledem k tomu, že rušení může mít nežádoucí účinky na elektronická zařízení v blízkosti diktafonu, odpojte před připojením diktafonu k počítači sluchátka.

## Obecná bezpečnostní opatření

Pozorně si přečtěte tuto příručku, abyste se s přístrojem naučili bezpečně a správně zacházet. Uchovejte tuto příručku na snadno přístupném místě pro budoucí použití.

- Varovné symboly upozorňují na důležité informace týkající se bezpečnosti. Abyste ochránili sebe a ostatní před zraněním nebo věcným poškozením, je důležité, abyste si vždy přečetli všechna předložená varování a informace.

## Varování týkající se ztráty dat:

- Nahrány obsah paměti může být zničen nebo smazán v důsledku nesprávného ovládní, poruchy přístroje nebo v průběhu opravy.
- Doporučujeme proto důležité zaznamenaný obsah zapsat nebo zálohovat přenesením do počítače.
- Společnost Olympus nenese odpovědnost za poškození nebo jakékoliv škody vzniklé v důsledku ztráty dat způsobené poruchou produktu, opravy provedené jiným subjektem než společností Olympus nebo autorizovaným servisním střediskem Olympus nebo z jiných důvodů.

## Správné a bezpečné používání

- Před použitím sluchátek snižte hlasitost na potřebnou úroveň, jinak by mohlo dojít k poškození nebo oslabení sluchu.
- Nepoužívejte sluchátka při vysoké hlasitosti delší dobu. Mohlo by dojít k poškození nebo oslabení sluchu.
- Před výměnou baterií zastavte diktafon. Vyjmutí baterií v průběhu používání diktafonu může způsobit poškození souboru.
- Nenechávejte diktafon na horkých, vlhkých místech, např. v zavazéní autě na přímém slunci nebo v létě na pláži.
- Neukládejte diktafon na místech vystavených vlhkosti nebo prachu.
- K čištění přístroje nepoužívejte organická rozpouštědla, jako je alkohol nebo ředidlo.
- Nepokládejte diktafon do blízkosti elektrických zařízení, jako je např. televizor nebo chladnička, ani na ně.
- Vyvarujte se nahrávání nebo přehrávání v blízkosti mobilních telefonů nebo jiných bezdrátových zařízení, která mohou způsobit interferenci a šum. Zaznamenači rušení, přesuňte se jinam nebo diktafon umístěte dále od těchto zdrojů.
- Chraňte přístroj před pádem a prachem. Mohou způsobit neopravitelné poškození.
- Chraňte přístroj před silnými vibracemi a nárazy.
- Přístroj sami nerozebírejte, neopravujte ani neupravujte.

- Nepoužívejte přístroj během řízení (např. jízdniho kola, motocyklu nebo při vězení kočárku).
- Uchovávejte přístroj mimo dosah dětí.

## Baterie

### ▲ Varování:

- Za žádných okolností nevkládejte do bateriového prostoru jiné součásti než hlavní jednotku. Jinak může dojít k vytečení elektrolytu, přehřátí, požáru nebo explozi.
- Baterie nevystavujte ohni ani horku, nezkratujte je ani nerozebírejte.
- Nepokoušejte se dobít alkalické, lithiové nebo jiné baterie, které nejsou určeny k dobití.
- Nepoužívejte nikdy baterie s poškozeným nebo prasklým pláštěm.
- Uchovávejte baterie mimo dosah dětí.
- Zaznamenate-li během používání tohoto produktu cokoliv neobvyklého, např. neobvyklý zvuk, kašláni, kouř nebo zápach spáleniny:
  - ① vyjměte ihned baterie, dávejte přítomný pozor, abyste se nepopálili, a
  - ② kontaktujte prodejce nebo nejbližší servisní středisko společnosti Olympus.

## Technické údaje

### Záznamové médium:

Vestavěná paměť flash

### Celková frekvence:

**VN-6500PC, VN-5500PC:**

Režim HQ: 200 až 13 000 Hz

Režim SQ: 200 až 7 000 Hz

Režim LP: 200 až 3 000 Hz

**VN-3500PC:**

Režim HQ: 200 až 13 000 Hz

Režim SQ: 200 až 7 000 Hz

Režim LP: 200 až 3 000 Hz

### Doba nahrávání:

**VN-6500PC, VN-5500PC: 512 MB**

Režim HQ: přibliž. 35 h 20 min

Režim SP: přibliž. 69 h 35 min

Režim LP: přibliž. 221 h 30 min

**VN-3500PC: 128 MB**

Režim HQ: přibliž. 8 h 40 min

Režim SP: přibliž. 17 h 10 min

Režim LP: přibliž. 54 h 40 min

- Uvedené doby nahrávání představují hodnoty po odstranění dat příručky uložených v diktafonu.
- Data příručky lze odstranit připojením k počítači a vymazáním nebo zformátováním diktafonu. Podrobnosti naleznete v části „**Formátování diktafonu [Format]**“.
- Před odstraněním dat vytvořte záložní kopii souboru PDF příručky.

#### **Mikrofon:**

Elektretový kondenzátorový mikrofon (monofonní)

#### **Reproduktor:**

Vestavěný dynamický kulatý reproduktor, ø 23 mm

#### **Maximální výkon:**

250 mW

#### **Maximální výstup sluchátek:**

≤ 150 mV  
(podle normy EN 50332-2)

#### **Konektor sluchátek (monofonní):**

ø 3,5 mm, impedance 8 Ω

#### **Konektor mikrofonu (monofonní):**

ø 3,5 mm, impedance 2 kΩ

#### **Napájecí zdroj:**

Dvě baterie AAA (LR03) nebo dvě dobíjecí baterie Ni-MH

#### **Životnost baterie:**

Alkalické baterie:  
přibl. 37 h  
Dobíjecí baterie Ni-MH:  
přibl. 25 h

#### **Rozměry:**

102 (D) mm x 37 (Š) mm x 18,8 (H) mm  
(bez výčnělků)

#### **Hmotnost:** 64,8 g (včetně baterie)

- Životnost baterie je změněna společností Olympus. Životnost baterií výrazně závisí na typu baterií a na podmínkách, v nichž jsou baterie používány.
- Zaznamenaný obsah je určen pouze pro vaši osobní potřebu a zábavu. Je zakázáno zaznamenávat materiál podléhající autorským právům bez povolení vlastníků těchto práv podle zákona o autorském právu.
- Technické údaje a design se mohou za účelem zlepšení výkonu změnit bez předchozího upozornění.

## **Príslušenství (volitelné)**

#### **Nabíječka dobíjecích baterií Ni-**

**MH:** BU-400 (pouze Evropa)

#### **Dobíjecí baterie Ni-MH:**

BR401

#### **Připojovací kabel (konektor sluchátek ↔ konektor mikrofonu):**

KA333

#### **Mikrofon s funkcí potlačení šumu:**

ME52

#### **Elektretový kondenzátorový mikrofon:**

ME15

#### **Duální monofonní sluchátka:** E20

#### **Telefonní sluchátko:** TP7

#### **Závěsný řemínek:** ST26



Značka „CE“ znamená, že produkt splňuje evropské požadavky na bezpečnost, zdraví, životní prostředí a ochranu zákazníka.



Tento symbol [přeškrtnutý odpadkový koš s kolečky – WEEE Annex IV] znamená oddělený sběr elektrického a elektronického odpadu v zemích EU. Nevyhazujte tento přístroj do běžného domovního odpadu. Při likvidaci vysloužilého zařízení využijte systém sběru tříděného odpadu, který funguje ve vaší zemi.



Platí pro produkt: VN-6500PC, VN-5500PC, VN-3500PC



Tento symbol [přeškrtnutý odpadkový koš s kolečky – Směrnice 2006/66/EC Annex II] znamená oddělený sběr spotřebovaných baterií v zemích EU. Nevyhazujte baterie do běžného domovního odpadu. Baterie likvidujte pomocí systému sběru a recyklace odpadu ve své zemi.

## DE Einführung

- Diese Anleitung ist eine Version mit den grundlegenden Informationen. Die vollständige Anleitung mit ausführlicheren Informationen ist im Ordner **[OL\_MANUAL]** auf dem Recorder gespeichert. Sie können die Daten auch von der OLYMPUS-Webseite herunterladen.
- Inhaltliche Änderungen an dieser Bedienungsanleitung ohne Ankündigung vorbehalten. Die neuesten Informationen zu Produktbezeichnungen und Modellnummern erhalten Sie bei unserem Kundendienst.
- Bei dieser Bedienungsanleitung wurde mit äußerster Sorgfalt vorgegangen, um die Richtigkeit des Inhalts sicherstellen zu können. Sollte es dennoch zweifelhaft Angaben, Fehler oder Auslassungen geben, wenden Sie sich bitte an den Kundendienst.
- Es wird keine Haftung übernommen für passive oder sonstige Schäden aufgrund von Datenverlusten, die auf einen Defekt des Produkts, eine nicht von Olympus oder einem von Olympus autorisierten Kundendienst, sondern von Dritten durchgeführte Reparatur oder eine andere Ursache zurückzuführen sind.

### Markenzeichen und eingetragene Markenzeichen:

- Microsoft, Windows und Windows Media sind eingetragene Markenzeichen der Microsoft Corporation.



- Macintosh ist ein Markenzeichen der Apple Inc.

### Sicherer und sachgemäßer Umgang mit dem Gerät

Lesen Sie diese Anleitung vor Inbetriebnahme Ihres neuen Recorders sorgfältig durch, so dass Sie ihn sicher und sachgemäß bedienen können. Bewahren Sie die Anleitung zum späteren Nachschlagen griffbereit auf.

- Die Warnsymbolweisaufwichtige Sicherheitsinformationen hin. Um Sachschäden zu vermeiden und sich und andere vor Verletzungen zu schützen, lesen Sie bitte unbedingt immer die mitgelieferten Warnhinweise und Informationen.

## Vorbereitungen

### Bezeichnung der Teile

- ① Integriertes Mikrofon
  - ② MIC-Mikrofonbuchse
  - ③ HOLD-Schalter
  - ④ USB-Anschluss
  - ⑤ STOP (■)-Taste
  - ⑥ PLAY/OK (▶)-Taste
  - ⑦ |◀◀-Taste (Rücklauf)
  - ⑧ Batteriefachdeckel
  - ⑨ FOLDER/INDEX-Taste
  - ⑩ EAR-0hrhörerbuchse
  - ⑪ Display (LCD-Anzeigen)
  - ⑫ Aufnahme-/Wiedergabeanzeige
  - ⑬ REC (●)-Taste
  - ⑭ + -Taste
  - ⑮ ▶▶| -Taste (Schneller Vorlauf)
  - ⑯ --Taste
  - ⑰ DISP/MENU-Taste
  - ⑱ ERASE (●)-Taste
  - ⑲ Öse für Riemen
- Ein Riemen wird nicht mitgeliefert. Verwenden Sie gesondert erhältliches Zubehör.

### Display (LCD-Anzeigen):

- ① Ordneranzeige
- ② Mikrofonempfindlichkeitsanzeige
- Hochpassfilteranzeige \*
- Anzeige für Variable Control Voice Actuator (sprachgesteuerte Aufnahme)
- Aufnahmemodusanzeige
- Anzeige für schnelle Wiedergabe
- Anzeige für langsame Wiedergabe
- Anzeige für wiederholte Wiedergabe einer Passage\*

- ③ Bedienanweisung
- ④ Zeichenanzeigebereich
- ⑤ Aufnahmepegel
- ⑥ Batterieladungsanzeige
- ⑦ Löschschutzanzeige
- ⑧ Aktuelle Dateinummer

- \* Nur beim VN-6500PC.

### Einlegen von Batterien (Abb. 1)

- 1 Drücken Sie leicht auf den Pfeil und schieben Sie den Batteriefachdeckel auf.
  - 2 Legen Sie zwei Alkalibatterien der Größe AAA polaritätsrichtig ein.
  - 3 Schließen Sie den Batteriefachdeckel ganz.
    - Wenn der HOLD-Schalter in Pfeilrichtung steht, wird [HOLD] angezeigt und dann schaltet sich das Display aus. Führen Sie den nächsten Schritt ohne Display-Anzeige aus.
- Für den Recorder können Sie auch einen gesondert erhältlichen NiMH-Akku (BR401) von Olympus verwenden.

### Austauschen der Batterien:

- Wenn im Display erscheint, tauschen Sie die Batterien möglichst bald aus. Zu empfehlen sind Alkalibatterien der Größe AAA. Wenn die Batterien erschöpft sind, erscheint im Display und der Recorder schaltet sich aus.
- Wenn Sie die Batterien austauschen wollen, vergewissern Sie sich zuvor, dass der HOLD-Schalter entgegen der Pfeilrichtung steht.

### Stromversorgung (Abb. 2)

#### Ein schalten:

- Schieben Sie den HOLD-Schalter entgegen der Pfeilrichtung.

#### Ausschalten:

- Schieben Sie den HOLD-Schalter in Pfeilrichtung, wenn der Recorder nicht in Betrieb ist.

#### Bereitschaftsmodus und Ausschalten des Displays:

- Wenn sich der Recorder beim Aufnehmen oder Wiedergeben mindestens 5 Minuten lang im Stoppmodus befindet, schaltet er in den Bereitschaftsmodus (Energiesparmodus) und das Display schaltet sich aus. Zum Beenden des Bereitschaftsmodus und Einschalten des Displays drücken Sie eine beliebige Taste.

### Einstellen von Uhrzeit und Datum [Zeit & Datum] (Abb. 3)

- Wenn Sie zum ersten Mal Batterien einlegen bzw. jedes Mal, wenn Sie die Batterien austauschen, blinkt die Anzeige „Monat“. Stellen Sie in diesem Fall wie in den Schritten 4 bis 6 unten beschrieben die Uhrzeit und das Datum ein.

- 1 Halten Sie die **DISP/MENU**-Taste mindestens 1 Sekundelanggedrückt, um das Hauptmenü aufzurufen.
- 2 Wählen Sie mit der **▶▶|**- oder **◀◀**-Taste die Option **[Untermenü]**.
- 3 Drücken Sie die **PLAY/OK (▶)**-Taste.
  - **[Zeit & Datum]** erscheint im Display und **[▶▶|◀◀]** blinkt.
- 4 Wählen Sie mit der **▶▶|**- oder **◀◀**-Taste die einzustellende Angabe aus.
  - Wählen Sie eine der Angaben **„Monat“**, **„Tag“**, **„Jahr“**, **„Stunde“** und **„Minute“**, so dass sie blinkt.
- 5 Drücken Sie zum Einstellen die **+ -** oder **-**-Taste.
  - Gehen Sie wie oben erläutert vor und wählen Sie mit der **▶▶|**- oder **◀◀**-Taste die nächste Angabe aus, die Sie dann mit der **+ -** oder **-**-Taste einstellen.

- 6 Drücken Sie die **PLAY/OK (▶)**-Taste, um den Einstellbildschirm zu schließen.
  - Die Uhr beginnt mit dem eingestellten Datum und der Uhrzeit zu laufen.
  - Drücken Sie die **PLAY/OK (▶)**-Taste zeitgleich mit einem Zeitsignal.
- 7 Beenden Sie mit der **STOP (■)**-Taste den Menümodus.

#### Hinweise zu den Ordnern (Abb. 4)

Der Recorder verfügt über fünf Ordner: **[A]**, **[B]**, **[C]**, **[D]** und **[E]**. Zum Ändern des ausgewählten Ordners drücken Sie die **FOLDER/INDEX**-Taste, während sich der Recorder im Stoppmodus befindet. In jedem Ordner können bis zu 200 Dateien aufgezeichnet werden.

- ① Aktueller Ordner

#### Aufnahme (Abb. 5)

- 1 Wählen Sie mit der **FOLDER/INDEX**-Taste den gewünschten Ordner aus.
- 2 Starten Sie mit der **REC (●)**-Taste die Aufnahme.
  - Die Aufnahme-/Wiedergabeanzeige leuchtet rot und die Aufnahme beginnt.
- 3 Stoppen Sie mit der **STOP (■)**-Taste die Aufnahme.
  - Eine neue Aufnahme wird als letzte Datei im Ordner gespeichert.

- ① Aktueller Ordner
- ② Aktueller Aufnahmemodus
- ③ Aktuelle Dateinummer
- ④ Aufnahmedauer
- ⑤ Restliche Aufnahmedauer
- ⑥ Aufnahmepegel

#### Wiedergabe (Abb. 6)

- 1 Wählen Sie mit der **FOLDER/INDEX**-Taste den gewünschten Ordner aus.
  - 2 Wählen Sie mit der **▶▶|**- oder **◀◀**-Taste die wiederzugebende Datei aus.
  - 3 Drücken Sie zum Starten der Wiedergabe die **PLAY/OK (▶)**-Taste.
    - Die Aufnahme-/Wiedergabeanzeige leuchtet grün und die verstrichene Wiedergabedauer erscheint im Display.
  - 4 Stellen Sie mit der **+ -** oder **-**-Taste die geeignete Lautstärke für den Ton ein.
    - Der Lautstärkepegel wird im Display angezeigt. Sie können einen Wert zwischen **[00]** und **[30]** wählen.
      - ① Aktuelle Dateinummer
      - ② Wiedergabedauer
- So stoppen Sie die Wiedergabe: (Abb. 7)
- Drücken Sie die **STOP (■)**-Taste.
- Der Recorder stoppt mitten in der wiedergegebenen Datei.

#### Löschen

##### Löschen einzelner Dateien (Abb. 8)

- 1 Wählen Sie mit der **FOLDER/INDEX**-Taste einen Ordner aus.
- 2 Wählen Sie mit der **▶▶|**- oder **◀◀**-Taste die zu löschende Datei aus.
  - ① Zu löschende Datei
- 3 Drücken Sie die **ERASE (●)**-Taste.
- 4 Wählen Sie mit der **▶▶|**-Taste die Option **[starten]** aus.
- 5 Drücken Sie die **PLAY/OK (▶)**-Taste.

##### Löschen aller Dateien in einem Ordner (Abb. 9)

- 1 Wählen Sie mit der **FOLDER/INDEX**-Taste den zu löschenden Ordner aus.
  - ① Zu löschender Ordner

- 2 Drücken Sie die **ERASE (●)**-Taste zweimal.
  - 3 Wählen Sie mit der **▶▶|**-Taste die Option **[starten]** aus.
  - 4 Drücken Sie die **PLAY/OK (▶)**-Taste.
- Hinweise:

- Eine gelöschte Datei kann nicht wiederhergestellt werden.
- Vor dem Löschen geschützte Dateien lassen sich nicht löschen.
- Das Löschen kann einige Sekunden lang dauern. Sie dürfen während dieser Zeit nicht die Batterien herausnehmen oder austauschen und keine anderen Funktionen am Voice Recorder ausführen. Andernfalls können Daten beschädigt werden.

#### Sonstige Funktionen

##### Anschließen an einen PC (Abb. 10)

- Sie können dieses Gerät nicht nur als Recorder verwenden, sondern auch als externes Speichergerät für den Computer.
- Die mit diesem Recorder aufgezeichneten Audiodateien können mit Windows Media Player auf dem Computer wiedergegeben werden. Sie können mit Windows Media Player heruntergeladene WMA-Dateien auch auf den Recorder übertragen und damit wiedergeben lassen (mit Ausnahme von Dateien mit Urheberrechtsschutzcodierung).

- 1 Verbinden Sie den **USB-Anschluss** des Recorders mit einem **USB-Anschluss** oder **USB-Hub** am PC.
  - Wenn **[Fernsteuerung]** angezeigt wird, können Sie die Daten speichern oder lesen.
- 2 Übertragen Sie die Audiodateien auf den Computer.
  - Verbinden Sie den Recorder mit dem Computer und starten Sie Explorer.
  - Der Recorder wird als austauschbarer Datenträger erkannt.
  - Die Namen der fünf Ordner lauten **DSS\_FLDA**, **B**, **C**, **D** und **E**. Die Audiodateien werden in diesen Ordnern gespeichert.
  - Alle mit diesem Recorder aufgezeichneten Audiodateien werden im **WMA**-Format gespeichert.

Beispiel:

VN-6500PC: VN\_650001.WMA

VN-5500PC: VN\_550001.WMA

VN-3500PC: VN\_350001.WMA

- Wenn Sie Windows 2000 verwenden, muss Windows Media Player auf dem PC installiert sein.

### 3 Klicken Sie auf auf der Taskleiste rechts unten auf dem Bildschirm. Klicken Sie auf (Hardware sicher entfernen).

- ① USB-Anschluss
- ② Senden von Daten
- ③ Empfangen von Daten

#### Verwenden des Recorders am PC

<b>Windows</b>	<b>Betriebssystem:</b> Microsoft Windows 2000/XP/Vista (Standardinstallation)
	<b>Kompatible PCs:</b> Windows-PCs mit mehr als einem freien USB-Anschluss
<b>Macintosh</b>	<b>Betriebssystem:</b> Mac OS X 10.2.8 ~ 10.5 (Standardinstallation)
	<b>Kompatible PCs:</b> Apple Macintosh series equipped with more than one free USB port

Der Kundendienst ist nicht zuständig, wenn der PC von Windows 95 oder 98 auf Windows 2000/XP/Vista aktualisiert wurde. Fehlfunktionen bei einem selbst gebauten bzw. modifizierten PC fallen nicht unter die Betriebsgarantie.

#### Hinweise:

- Trennen Sie auf KEINEN Fall die USB-Verbindung, solange die Aufnahme-/Wiedergabeanzeige rot blinkt. Andernfalls können Daten zerstört werden.
- Informationen zum USB-Anschluss oder USB-Hub an Ihrem PC schlagen Sie bitte im Handbuch zum PC nach.
- Da es bei elektronischen Geräten in der Nähe des Recorders zu Interferenzen kommen kann, trennen Sie den Ohrhörer vom Recorder, wenn Sie diesen an einen PC anschließen.

## Allgemeine Sicherheitsmaßnahmen

Lesen Sie diese Anleitung sorgfältig durch, damit Sie das Gerät sicher und sachgemäß bedienen können. Bewahren Sie die Anleitung zum späteren Nachschlagen griffbereit auf.

- Die Warnsymbole weisen auf wichtige Sicherheitsinformationen hin. Um Sachschäden zu vermeiden und sich und andere vor Verletzungen zu schützen, lesen Sie bitte unbedingt immer die mitgelieferten Warnhinweise und Informationen.

#### Warnung vor Datenverlust:

- Aufgezeichnete Speicherinhalte können durch Bedienfehler, Fehlfunktionen des Geräts oder bei Reparaturen zerstört oder gelöscht werden.
- Bei wichtigen Aufnahmeinhalten empfiehlt es sich, diese auf irgendeine Art niederzuschreiben oder auf einen PC herunterzuladen und damit eine Sicherungskopie zu erstellen.
- Olympus übernimmt keine Haftung für passive oder sonstige Schäden aufgrund von Datenverlusten, die auf einen Defekt des Produkts, eine nicht von Olympus oder einem von Olympus autorisierten Kundendienst, sondern von Dritten durchgeführte Reparatur oder eine andere Ursache zurückzuführen sind.

## Informationen zum sicheren und sachgemäßen Umgang mit dem Gerät

- Verwenden Sie die Ohrhörer nur, wenn Sie die Lautstärke der Ohrhörer ausreichend reduziert haben. Andernfalls kann es zu Gehörverlust und/oder Gehörschäden kommen.
- Verwenden Sie die Ohrhörer nicht längere Zeit mit hoher Lautstärke. Andernfalls kann es zu Gehörverlust und/oder Gehörschäden kommen.
- Sie müssen den Recorder stoppen, bevor Sie die Batterien austauschen. Wenn Sie die Batterien herausnehmen, solange der Recorder in Betrieb ist, kann die Datei beschädigt werden.
- Lassen Sie den Recorder nicht an einem heißen, feuchten Ort, wie z. B. im Sommer bei direkter Sonneneinstrahlung in einem geschlossenen Auto oder am Strand.

- Bewahren Sie den Recorder nicht an einem Ort auf, an dem er zu viel Feuchtigkeit oder Staub ausgesetzt ist.
- Reinigen Sie das Gerät nicht mit organischen Lösungsmitteln, wie z. B. Alkohol oder Verdüner für Lacke.
- Stellen Sie den Recorder nicht auf oder neben elektrische Geräte wie Fernsehgeräte oder Kühlschränke.
- Vermeiden Sie die Aufnahme oder Wiedergabe in der Nähe von Mobiltelefonen oder anderen Funkgeräten, da es sonst zu Interferenzen und Störgeräuschen kommen kann. Wenn Störgeräuschen auftreten, gehen Sie an einen anderen Ort bzw. verwenden Sie den Recorder weiter entfernt von solchen Geräten.
- Schützen Sie das Gerät vor Sand und Staub. Andernfalls kann es zu irreparablen Schäden kommen.
- Schützen Sie das Gerät vor starken Erschütterungen und Stößen.
- Zerlegen Sie das Gerät nicht und versuchen Sie nicht, es selbst zu reparieren oder zu modifizieren.
- Bedienen Sie das Gerät nicht, während Sie ein Fahrzeug (Fahrrad, Motorrad, Gokart) lenken.
- Bewahren Sie das Gerät außerhalb der Reichweite von Kindern auf.

#### Batterien

##### **Vorsicht:**

- Legen Sie unter keinen Umständen irgendwelche Fremdkörper in das Batteriefach ein. Andernfalls kann es zu auslaufenden Batterien, Überhitzung, Feuer oder einer Explosion kommen.
- Schützen Sie Batterien unbedingt vor offenen Flammen und Hitze, schließen Sie sie nicht kurz und zerlegen Sie sie nicht.
- Versuchen Sie nicht, Alkali-, Lithium- oder andere nicht aufladbare Batterien aufzuladen.
- Verwenden Sie auf keinen Fall Batterien, deren äußere Hülle einen Riss oder Sprung aufweist.
- Bewahren Sie Batterien außerhalb der Reichweite von Kindern auf.
- Wenn Sie beim Betrieb des Geräts ungewöhnliche Geräusche, Hitze, Rauch, Brandgeruch o. Ä. feststellen:



- ① Nehmen Sie unverzüglich die Batterien heraus und achten Sie dabei darauf, sich nicht zu verbrennen.
- ② Geben Sie das Gerät bei Ihrem Händler oder der Olympus-Vertretung vor Ort zur Reparatur.

## Technische Daten

### Aufnahmemedium:

Eingebauter Flash-Speicher

### Gesamtfrequenzgang:

**VN-6500PC, VN-5500PC:**  
 HQ-Modus: 200 bis 13.000 Hz  
 SQ-Modus: 200 bis 7.000 Hz  
 LP-Modus: 200 bis 3.000 Hz  
**VN-3500PC:**  
 HQ-Modus: 200 bis 13.000 Hz  
 SQ-Modus: 200 bis 7.000 Hz  
 LP-Modus: 200 bis 3.000 Hz

### Aufnahmedauer:

**VN-6500PC, VN-5500PC: 512 MB**  
 HQ-Modus: ca. 35 Stunden 20 Minuten  
 SP-Modus: ca. 69 Stunden 35 Minuten  
 LP-Modus: ca. 221 Stunden 30 Minuten  
**VN-3500PC: 128 MB**  
 HQ-Modus: ca. 8 Stunden 40 Minuten  
 SP-Modus: ca. 17 Stunden 10 Minuten  
 LP-Modus: ca. 54 Stunden 40 Minuten

- Die Angaben für die Aufnahmedauer oben gelten, wenn Sie die auf dem Recorder gespeicherten Daten für die Anleitung gelöscht haben.
- Sie können die Daten für die Anleitung löschen, indem Sie den Recorder an einen Computer anschließen und die Daten dann löschen oder indem Sie den Recorder formatieren. Einzelheiten dazu finden Sie unter „**Formatieren des Recorders [Format]**“.
- Erstellen Sie vor dem Löschen der Daten eine Sicherungskopie der PDF-Daten dieser Anleitung.

### Mikrofon:

Elektret-Kondensator-Mikrofon (monaural)

### Lautsprecher:

Eingebauter runder Dynamiklautsprecher, ø 23 mm

### Maximale Leistung:

250 mW

### Maximale Kopfhörerleistung:

≤ 150 mW  
 (gemäß EN 50332-2)

### Ohrhörerbuchse (monaural):

ø 3,5 mm Durchmesser, Impedanz 8 Ω

### Mikrofonbuchse (monaural):

ø 3,5 mm Durchmesser, Impedanz 2 kΩ

### Stromversorgung:

Zwei AAA-Batterien (LR03) oder zwei Ni-MH-Akkus

### Betriebsdauer (kontinuierliche Nutzung):

Alkalibatterien: ca. 37 Stunden  
 Ni-MH-Akkus: ca. 25 Stunden

### Abmessungen:

102 (L) mm x 37 (B) mm x 18,8 (T) mm (ohne vorstehende Teile)

### Gewicht: 64,8 g (einschließlich Batterien)

- Die Batteriebetriebsdauer wurde von Olympus gemessen. Sie hängt ganz erheblich vom Batterietyp und den Nutzungsbedingungen ab.
- Ihre Aufnahmen sind ausschließlich für den persönlichen Gebrauch vorgesehen. Es ist nach dem Urheberrecht verboten, urheberrechtlich geschütztes Material ohne Genehmigung des Urheberrechtseigentümers aufzuzeichnen.
- Änderungen, die dem technischen Fortschritt dienen, bleiben vorbehalten.

## Zubehör (gesondert erhältlich)

### Ni-MH-Akkuladegerät:

BU-400 (nur Europa)

### Ni-MH-Akku: BR401

### Verbindungskabel

(Ohrhörerbuchse ↔

Mikrofonbuchse): KA333

### Geräuschreduktionsmikrofon:

ME52

### Elektret-Kondensator-Mikrofon:

ME15

### Mono-Ohrhörer: E20

### Mikrofon für Telekonferenzen: TP7

### Nackenriemen: ST26



Das „CE“-Zeichen weist darauf hin, dass dieses Produkt mit den europäischen Bestimmungen für Produktsicherheit, Gesundheitsanforderungen und Umweltschutz übereinstimmt.



Dieses Symbol [durchgestrichene Mülltonne nach WEEE Anhang IV] weist auf die separate Sammlung von als Industriemüll anfallenden elektrischen und elektronischen Geräten in den EU-Ländern hin.

Bitte geben Sie solche Geräte nicht in den Hausmüll. Bitte nutzen Sie zur Entsorgung dieser Produkte die Rücknahme- und Sammelsysteme in Ihrem Land.

Anwendbares Produkt: VN-6500PC, VN-5500PC, VN-3500PC



Dieses Symbol [durchgestrichene Mülltonne nach Richtlinie 2006/66/EC Anhang II] weist auf die separate Sammlung verbrauchter Batterien

und Akkus in den EU-Ländern hin. Bitte werfen Sie Batterien und Akkus nicht in den Hausmüll. Bitte nutzen Sie zur Entsorgung verbrauchter Batterien und Akkus die Rücknahme- und Sammelsysteme in Ihrem Land.

## DK Introduktion

- Denne vejledning indeholder oplysninger om grundlæggende funktioner. Den komplette vejledning med oplysninger om avancerede funktioner findes i mappen [OL \_MANUAL] på diktermaskinen eller kan hentes fra OLYMPUS' websted.
- Der tages forbehold for ændring af indholdet i dette dokument uden forudgående varsel. Kontakt vores kundeservicecenter for at få de seneste oplysninger om produktnavne og modelnumre.
- Der er udvist stor omhu for at sikre, at indholdet i dette dokument er korrekt. Skulle du alligevel have spørgsmål eller finde fejl eller udeladelser, skal du kontakte vores kundeservicecenter.
- Olympus fralægger sig ethvert ansvar for indirekte skader eller skader, der er opstået i forbindelse med tab af data som følge af en fejl i produktet, reparationer udført af en anden part end Olympus eller et autoriseret Olympus-serviceværksted og enhver anden årsag.

### Varemærker og registrerede varemærker:

- Microsoft, Windows og Windows Media er registrerede varemærker tilhørende Microsoft Corporation.
- Macintosh er et varemærke tilhørende Apple Inc.



### Sikker og korrekt brug

- Læs denne vejledning omhyggeligt, før du bruger din nye diktermaskine, for at få oplysninger om sikker og korrekt brug. Opbevar vejledningen på et lettilgængeligt sted til senere brug.
- Advarselssymbolerne angiver vigtige oplysninger om sikkerhed. Det er vigtigt at læse disse advarsler og oplysninger for at undgå tingskade og personskade.

## Kom godt i gang

### Overstyr over knapper

- 1 Indbygget mikrofon
  - 2 MIC stik (mikrofon)
  - 3 HOLD knap
  - 4 USB stik
  - 5 STOP (■) knap
  - 6 PLAY/OK (▶) knap
  - 7 ◀◀ knap (tilbagespoling)
  - 8 Batteridæksel
  - 9 FOLDER/INDEX knap
  - 10 EAR stik (hovedtelefon)
  - 11 Skærm (LCD skærm)
  - 12 Optage-/gengivelampe
  - 13 REC (●) knap
  - 14 + knap
  - 15 ▶▶ knap (fremspoling)
  - 16 - knap
  - 17 DISP/MENU knap
  - 18 ERASE (●) knap
  - 19 Remholder
- Remmen følger ikke med. Fås som tilbehør.

### Skærm (LCD skærm):

- 1 Mappesymbol
- 2 Indikator for mikrofølsomhed
- 3 Indikator for LowCut-filter\*
- 4 Indikator for Variable Control Voice Actuator
- 5 Indikator for optagetilstand
- 6 Indikator for hurtigt gengivelse
- 7 Indikator for langsom gengivelse
- 8 Indikator for gentagelse af segment\*
- 9 Indikator for kontrolelementer
- 10 Informationsvisning af tegn
- 11 Måler for optageniveau
- 12 Indikator for batteri
- 13 Indikator for slettelås
- 14 Aktuelt filnummer

\* Gælder kun VN-6500PC.

### Isættelse af batterier (Fig. 1)

- 1 Tryk forsigtigt på pilen, og skub batteridækslet til side.
- 2 Isæt to alkalinebatterier (AAA), og sørg for at de vender korrekt.
- 3 Sæt batteridækslet på igen.
  - Når HOLD knap er skubbet i pilens retning, slukkes skærmen efter visning af [HOLD]. Følg det næste trin uden at tage hensyn til ovenstående.

Diktermaskinen kan bruges med et genopladeligt Ni-MH batteri (BR401, ekstraudstyr) fra Olympus.

### Udsiftning af batterierne:

Når [ ] vises på skærmen, skal batterierne udsiftes snarest muligt. Det anbefales at sætte alkalinebatterier (AAA). Når batterierne er ved at være opbrugt, vises [ ] på skærmen, og maskinen slukkes.

- Før batterierne udskiftes, skal HOLD knap skubbes i modsat retning af pilen.

### Strømforsyning (Fig. 2)

#### Tændt:

Skub HOLD knappen i modsat retning af pilen.

#### Slukket:

Stop en eventuel handling, og skub HOLD knappen i pilens retning.

#### Standby og deaktivering af skærm:

Control Voice stoppes og derefter ikke benyttes i mere end 5 minutter, skifter den til standby (strømsparetilstand), og skærmen slukkes. Tryk på en vilkårlig knap for at aktivere maskine og skærm.

#### Indstilling af klokkesæt og dato

#### [TIME & Date] (Fig. 3)

Indikatoren "Month" blinker både første gang og efterfølgende gange, du udskifter batterier. I dette tilfælde skal du følge trin 4 til 6 nedenfor for at indstille klokkesæt og dato.

- 1 Tryk på DISP/MENU knappen, og hold den nede i mindst 1 sekund for at skifte til hovedmenuen.
- 2 Tryk på ▶▶ eller ◀◀ knap for at vælge [Sub Menu].

### 3 Tryk på **PLAY/OK** (▶) knap.

- **[Time & Date]** vises på skærmen, og **[▶◀▶▶]** blinker.

### 4 Tryk på **▶▶▶** eller **◀◀◀** knap for at vælge det element, der skal indstilles.

- Vælg **“Month”, “Day”, “Year”, “Hour”** og **“Minute”** med den blinkende markør.

### 5 Tryk på **+** eller **-** knap for at angive værdien.

- Følg samme fremgangsmåde ved at trykke på **▶▶▶** eller **◀◀◀** knap for at vælge det næste element, og tryk på **+** eller **-** knap at angive værdien.

### 6 Tryk på **PLAY/OK** (▶) knap for at udføre opsætningen.

- Tidsoplysningerne vises med den angivne dato og det angivne klokkeslæt.
- Tryk på **PLAY/OK** (▶) knap, afhængigt af tidssignalet.

### 7 Tryk på **STOP** (■) knap for at lukke menuen.

#### Bemærkninger om mapper (Fig. 4)

Diktermaskinen indeholder fem mapper: **[A]**, **[B]**, **[C]**, **[D]** og **[E]**. Hvis du vil skifte mappe, skal du stoppe en eventuel handling og trykke på **FOLDER/INDEX** knap. Hver mappe kan indeholde op til 200 filer.

- ① Aktuel mappe

## Optagelse (Fig. 5)

### 1 Tryk på **FOLDER/INDEX** knap for at vælge den ønskede mappe.

### 2 Tryk på **REC** (●) knap for at starte en optagelse.

- Optage-/gengivelampen lyser rødt, og optagelsen starter.

### 3 Tryk på **STOP** (■) knap for at stoppe en optagelse.

- En ny optagelse gemmes som den sidste fil i mappen.

- ① Aktuel mappe
- ② Aktuel optagetilstand
- ③ Aktuelt filnummer
- ④ Optagetid
- ⑤ Resterende optagetid
- ⑥ Måler for optageniveau

## Gengivelse (Fig. 6)

### 1 Tryk på **FOLDER/INDEX** knap for at vælge den ønskede mappe.

### 2 Tryk på **▶▶▶** eller **◀◀◀** knap for at vælge den fil, der skal gengives.

### 3 Tryk på **PLAY/OK** (▶) knap for at starte gengivelsen.

- Indikatoren for optagelse/gengivelse lyser grønt, og den resterende gengivetid vises på skærmen.

### 4 Tryk på knappen **+** eller **-** for at vælge en passende lydstryke.

- Lydniveauet vises på skærmen. Du kan vælge fra **[00]** til **[30]**.

- ① Aktuelt filnummer
- ② Spilletid

#### Sådan stoppes en gengivelsen: (Fig. 7)

### Tryk på **STOP** (■) knap.

- Maskinen stopper gengivelsen af filen.

## Sletning

#### Sletning af én fil ad gangen (Fig. 8)

### 1 Tryk på **FOLDER/INDEX** knap for at vælge en mappe.

### 2 Tryk på **▶▶▶** eller **◀◀◀** knap for at vælge den fil, der skal slettes.

- ① Fil, der skal slettes

### 3 Tryk på **ERASE** (●) knap.

### 4 Tryk på **▶▶▶** knap for at vælge **[Start]**.

### 5 Tryk på **PLAY/OK** (▶) knap.

#### Sletning af alle filer i en mappe

#### (Fig. 9)

### 1 Tryk på **FOLDER/INDEX** knap for at vælge den mappe, der skal slettes.

- ① Mappe, der skal slettes

### 2 Tryk to gange på **ERASE** (●) knap.

### 3 Tryk på **▶▶▶** knap for at vælge **[Start]**.

### 4 Tryk på **PLAY/OK** (▶) knap.

#### Bemærk:

- En slettet fil kan ikke gendannes.
- Beskryttede filer slettes ikke.

- Det kan tage flere sekunder at udføre en sletning. Du må ikke fjerne eller udskrifte batteri eller bruge andre funktioner på maskinen under en sletning, da dette kan ødelægge data.

## Andre funktioner

#### Tilslutning til pc (Fig. 10)

Ud over at kunne bruge enheden som lydoptager, kan den også bruges som ekstern hukommelse til computeren, dvs. som en lagringsenhed.

- Lydfiler, der er optaget med maskinen, kan gengives på computeren med Windows Media Player. Du kan også overføre WMA-filer, der er overført med Windows Media Player til maskinen og gengive dem (gælder ikke filer, der er beskyttet af ophavsret).

### 1 Slut maskinens USB-stik til pc'ens USB-port eller USB fordeler.

- Du kan gemme eller læse data, når **[Remote]** vises.

### 2 Overfør lydfiler til computeren.

- Slut maskinen til computeren, og åben Stifinder.
- Maskinen genkendes som en flytbar disk.
- Hver af de fem mapper vises som DSS\_FLDA, B, C, D og E. Lydfilerne gemmes i disse mapper.
- Alle lydfiler, der er optaget med denne maskine, er i WMA-format.

Dvs.:

VN-6500PC: VN\_650001.WMA  
VN-5500PC: VN\_550001.WMA  
VN-3500PC: VN\_350001.WMA

- Hvis du bruger Windows 2000, skal Windows Media Player være installeret på pc'en.

### 3 Klik på **[ ]** i systembakken i nedreste højre hjørne af skærmen. Klik på **[Sikker fjernelse af hardware]**.

- ① USB-stik
- ② Sender data
- ③ Modtager data

## Brug af maskinen med pc

<b>Windows</b>	<b>Operativsystem:</b> Microsoft Windows 2000 / XP / Vista (Standard Installation) <b>Understøttede computere:</b> Windows-pc'er, der har mindst én ledig USB-port
<b>Macintosh</b>	<b>Operativsystem:</b> Mac OS X 10.2.8 til 10.5 (standardinstallation) <b>Understøttede computere:</b> Apple Macintosh-computere, der har mindst én ledig USB-port

Supporttjenesten dækker ikke, hvis pc'en er opdateret fra Windows 95 eller 98 til Windows 2000/XP/Vista. Enhver fejl på en pc, som du selv har ændret, dækkes ikke af driftsgarantien.

### Bemærk:

- Du må **ALDRIG** fjerne USB-kablet, mens optage-/gengivelampen blinker rødt. Hvis du gør dette, kan dataene ødelægges.
- Yderligere oplysninger om USB-porten eller USB fordeleren på din pc findes i betjeningsvejledningen til pc'en.
- Støj kan have negativ indflydelse på elektronisk udstyr i nærheden af maskinen, og du skal derfor fjerne hovedtelefonerne, når du slutter diktermaskinen til en pc.

## Generelle forholdsregler

Læs denne vejledning omhyggeligt for at få oplysninger om sikker og korrekt brug. Opbevar vejledningen på et lettilgængeligt sted til senere brug.

- Advarselssymbolerne angiver vigtige oplysninger om sikkerhed. Det er vigtigt at læse disse advarsler og oplysninger for at undgå tingskade og personskaade.

## Advarsel vedrørende tab af data:

- Optaget indhold i hukommelsen kan blive ødelagt eller slettet ved forkert brug, fejl i enheden eller under reparation.
- Hvis indholdet er vigtigt, anbefaler vi, at du skriver det ned eller laver en sikkerhedskopi ved at overføre dataene til en pc.
- Olympus fralægger sig ethvert ansvar for indirekte skader eller skader opstået i forbindelse med tab af data som følge af en fejl i produktet, reparationer udført af en anden part end Olympus eller et autoriseret Olympus-serviceværksted og alt andet, der ikke er omfattet af Olympus' ansvar.

## Sikker og korrekt brug

- Du skal skruet tilstrækkeligt ned for lyden, før du tager hovedtelefonerne på, da du ellers kan få høreskade og/eller nedsat hørelse.
- Undgå at bruge høj lydstyrke i længere tid, da det kan give høreskade og/eller nedsat hørelse.
- Sørg for at stoppe maskinen, før batterierne fjernes, mens maskinen er i brug, kan det ødelægge filen.
- Diktermaskinen må ikke efterlades i varme og fugtige omgivelser, f.eks. i en lukket bil i direkte sollys eller på stranden om sommeren.
- Diktermaskinen må ikke opbevares i meget fugtige eller støvede omgivelser.
- Brug ikke organiske opløsningsmidler som alkohol eller lakfortynder til at rengøre enheden.
- Maskinen må ikke placeres på eller i nærheden af elektrisk udstyr som tv eller køleskabe.
- Undgå optagelse eller gengivelse i nærheden af mobiltelefoner eller andet trådløst udstyr, da de kan forårsage interferens og støj. Hvis du oplever støj, så bevæg dig lidt væk, eller flyt maskinen væk fra sådant udstyr.
- Undgå sand og snavs. Disse kan forårsage uoprettelige skader.
- Undgå kraftige vibrationer eller stød.
- Du må ikke selv adskille, reparere eller ændre enheden.

- Udstyret må ikke betjenes, mens du kører (f.eks. på cykel, motorcykel eller gokart).
- Opbevar enheden utilgængeligt for børn.

## Batteri

### ⚠ Advarsel:

- Der må under ingen omstændigheder indsættes andre dele i hovedenheden i batteriummet. Dette kan forårsage batterilækage, overophedning, brand eller eksplosion.
- Et batteri må ikke udsættes for åben ild, høje temperaturer og må ikke kortsluttes eller adskilles.
- Brug ikke at oplade alkaline-, lithium- og andre batterier, der ikke er genopladelige.
- Brug aldrig et batteri med revnet eller ødelagt ydre kappe.
- Batterier skal opbevares utilgængeligt for børn.
- Gør følgende, hvis du bemærker noget usædvanligt, når du bruger produktet, f.eks. unormal støj, varme, røg eller roglugt:
  - ① fjern omgående batteriet (pas på, du ikke brænder dig).
  - ② kontakt en forhandler eller det lokale Olympus-serviceværksted.

## Tekniske data

### Optagemedium:

Indbygget flashhukommelse

### Frekvensoversigt:

**VN-6500PC, VN-5500PC:**

HQ: 200 til 13.000 Hz

SQ: 200 til 7.000 Hz

LP: 200 til 3.000 Hz

**VN-3500PC:**

HQ: 200 til 13.000 Hz

SQ: 200 til 7.000 Hz

LP: 200 til 3.000 Hz

### Optagetid:

**VN-6500PC, VN-5500PC: 512 MB**

HQ: Ca. 35 timer og 20 minutter

SP: Ca. 69 timer og 35 minutter

LP: Ca. 251 timer og 30 minutter

**VN-3500PC: 128 MB**

HQ: Ca. 8 timer og 40 minutter

SP: Ca. 17 timer og 10 minutter

LP: Ca. 54 timer og 40 minutter

- Ovenstående optagetider gælder efter sletning af den vejledning, der er gemt på maskinen.
- Vejledningen kan slettes ved at slutte maskinen til en computer og slette eller ved at formatere maskinen. Yderligere oplysninger findes i afsnittet "Formattering af maskinen [Format]".
- Tag en sikkerhedskopi af vejledningens PDF-data, før de slettes.

#### Mikrofon:

Elektret kondensatormikrofon (mono)

#### Højtaler:

Indbygget dynamisk højtaler (ø 23 mm)

#### Maksimal effekt:

250 mW

#### Maksimal effekt for hovedtelefoner:

≤ 150 mW

(jævnfør EN 50332-2)

#### Hovedtelefonstik (mono):

3,5 mm i diameter, impedans 8 Ω

#### Mikrofonstik (mono):

3,5 mm i diameter, impedans 2 kΩ

#### Strømforsyning:

To LR03-batterier (AAA) eller to genopladelige Ni-MH-batterier

#### Brug med batteri:

Alkalinebatterier:

Ca. 37 timer

Genopladelige Ni-MH-batterier:

Ca. 25 timer

#### Mål:

102 (L) mm x 37 (B) mm x 18,8 (D) mm

#### Vægt: 64,8 g (med batteri)

- Batteriernes driftstid er målt af Olympus. Den varierer meget, afhængigt af den type batteri, der bruges og brugsforholdene.
- Optaget indhold må kun bruges til eget brug. Det er jævnfør loven om ophavsret forbudt at optage materiale, der er beskyttet af ophavsret, uden tilladelse fra ejeren af ophavsrettighederne.
- Der tages forbehold for ændring af tekniske data og design, uden varsel.

## Tilbehør (ekstraudstyr)

#### Oplader til genopladelige

Ni-MH-batterier: BU-400 (kun i Europa)

#### Genopladeligt Ni-MH-batteri:

BR401

#### Tilslutningskabel (hovedtelefonstik

↔ mikrofonstik): KA333

#### Støjreducerende mikrofon:

MES2

#### Elektret kondensatormikrofon:

ME15

#### Øretelefon: E20

#### Telefonmikrofon: TP7

#### Halsrem: ST26



"CE"-mærket angiver, at dette produkt er i overensstemmelse med de europæiske krav til sikkerhed, sundhed, miljø samt forbrugerbeskyttelse.



Dette symbol [en skraldespand med et kryds over, WEEE-direktivet, annek 1V] betyder, at elektrisk og elektronisk affald skal bortskaffes separat.

Det må derfor ikke bortskaffes sammen

med almindeligt husholdningsaffald. Brug det retur- og indsamlingssystem, der findes i dit land til bortskaffelse af dette produkt.

Gælder for produkt: VN-6500PC, VN-5500PC, VN-3500PC



Dette symbol [en skraldespand med et kryds over, Direktiv 2006/66/EF, bilag II] betyder, at brugte batterier indsamles separat inden for EU.

Batteriernes må ikke bortskaffes som almindeligt husholdningsaffald. Brug det retur- og indsamlingssystem, der findes i dit land til bortskaffelse af brugte batterier.

## EE Sissejuhatus

- Käesoleva juhendi näol on tegemist põhiversiooniga. Täieliku juhendi leiata kas diktofoni kausta [OL...MANUAL] salvestatud andmestikust või OLYMPUSE veebisaidilt, kust saate andmed alla laadida.
- Selle dokumendi sisu võib tulevikus ilma ette teatamata muutuda. Tootenimede ja mudelinumbritega seotud uusima teabe saamiseks võtke ühendust meie klienditoega.
- Selle dokumendi sisu on hoolikalt kontrollitud. Juhul kui siiski leiata väieldava elementi, vea või tegematajätmise, võtke palun ühendust meie klienditoega.
- Tootja ei võta vastutust passiivse kahjustuse või mistahes kahjustuse eest, mis on tingitud tootevast tulenevast andmekaoest, muu osapoolte kui Olympus või Olympuse poolt volitatud teeninduskoht, poolt teostatud parandusest või muust põhjustest.

### Kaubamärgid ja registreeritud kaubamärgid:

- Microsoft, Windows ja Windows Media on Microsoft Corporationi registreeritud kaubamärgid.
- Macintosh on Apple Inc.ʼi kaubamärk.



### Ohutu ja õige kasutus

Selleks et diktofoni õigesti ja ohutult kasutada, lugege kõigepealt hoolikalt käesolevat juhendit. Hoidke kasutusjuhendit käepärases kohas, et seda vajadusel uuesti lugeda.

- Hoiatussümbolid tähistavad ohutuse kohta käivat olulist teavet. Vigastuste ja kahjustuste vältimiseks on oluline, et tutvute alati hoiatuste ja muu teabega.

## Alustamine

### Osade ja funktsioonide nimetused

- 1 Sisseehitatud mikrofoni
- 2 MIC-pesa (mikrofon)
- 3 HOLD lüliti
- 4 USB-pesa
- 5 STOP (■) nupp
- 6 PLAY/OK (▶) nupp
- 7 ◀▶▶ nupp (tagasikerimine)
- 8 Patareipesa kaas
- 9 FOLDER/INDEX nupp
- 10 EAR-nupp (kõrvaklapid)
- 11 Ekraan (LCD-kuvar)
- 12 Salvestuse/esituse signaallamp
- 13 REC (●) nupp
- 14 + nupp
- 15 ▶▶▶ nupp (kiire edasikerimine)
- 16 – nupp
- 17 DISP/MENU nupp
- 18 ERASE (●) nupp
- 19 Paela ava

### Ekraan (LCD-kuvar):

- 1 Kaustanäidik
- 2 [M] Mikrofoni tundlikkusenäidik  
[X] LowCut filtri näidik\*  
[V] Hääletugevuse abil juhtimise funktsiooni Variable Control Voice Actuator näidik  
[HQ SP LP] Salvestusrežiimi näidik  
[▶] Kiire taasesituse näidik  
[Ⓢ] Aeglase taasesituse näidik  
[C] Lõigu kordusesituse näidik\*
- 3 Juhisenäidik
- 4 Kirjaga teabekuvart Salvestamise tasememootja
- 5 Patareinäidik
- 6 Kustutuskaitsese näidik
- 7 Valitud faili number

\* Ainult VN-6500PC puhul.

### Patareide sisestamine (Joonis. 1)

- 1 Vajutage kaant kergelt noole suunas alla ja lükake patareipesa kaas lahti.
- 2 Sisestage kaks AAA-suuruses leelispatareid, pidades silmas õiget poolaarst.
- 3 Sulgege patareipesa kaas täielikult.
  - Kui lüliti HOLD asub noole suuna pool, lülitatakse ekraan pärast [HOLD] kuvamist välja. Järgige järgmist sammu sellele tähelepanu pööramata.

Diktofonis võib kasutada Olympuse lisavarustusse kuuluvaid Ni-MH taaslaetavaid akusid (BR401).

### Patareide asendamine:

- Kui ekraanile ilmub [□], vahetage patareid niipea kui võimalik uute vastu. Soovitatavad on AAA-suuruses leelispatareid. Kui patareid on tühjaks saanud, ilmub ekraanile [□] ja diktofon lülitub välja.
- Patarei asendamiseks lükake esmalt lüliti HOLD noole suunale vastupidisesse asendisse.

### Toide (Joonis. 2)

#### Toite sisselülitamine:

Libistage lüliti HOLD noole suunale vastupidisesse asendisse.

#### Toite väljalülitamine:

Libistage lüliti HOLD diktofoni mittekasutamise ajal noole suunas.

#### Ooterežiim ja ekraani väljalülitus:

Kui diktofoni töö peatatakse salvestamise või taasesituse ajal 5 minutiks või kauem, lülitub see ooterežiimile ja ekraan kustub. Ooterežiimilt väljumiseks ning ekraani sisselülitamiseks vajutage suvalist nuppu.

### Kellaaja ja kuupäeva seadistamine

#### [Time & Date] (Joonis. 3)

Kui paigaldate patareid esimest korda või kui asendate patareid, vilgub näidik „Month“. Sellisel juhul seadistage kellaage ja kuupäev, järgides allpool kirjeldatud samme 4 kuni 6.

- 1 Vajutage ja hoidke vähemalt 1 sekund all nuppu DISP/MENU, et siirduda peamenüüsse.

2 Vajutage nuppu ►►| või |◄◄, et valida [Sub Menu].

3 Vajutage nuppu **PLAY/OK** (►).

- [Time & Date] ilmub ekraanile ning [◀▶▶▶] vilgub.

4 Vajutage seadistatava üksuse valimiseks nuppu ►►| või |◄◄.

- Valige vilkuva punktiga väljad „Month“, „Day“, „Year“, „Hour“ ja „Minute“.

5 Vajutage seadistamiseks nuppu + või –.

- Järgige neid samme, vajutades järgmise üksuse valimiseks nuppu ►►| või |◄◄ ning seadistamiseks nuppu + või –.

6 Vajutage nuppu **PLAY/OK** (►)

seadistusekraani lõpuleviimiseks.

- Kellalustabajaarvamisest seadistatud kuupäevast ja kellaajast.
- Vajutage vastavalt ajamärguandele nuppu **PLAY/OK** (►).

7 Menüüreežiimi sulgemiseks vajutage nuppu **STOP** (■).

### Kaustade nimetused (Joonis. 4)

Diktofon pakub kasutamiseks viit kausta: [A], [B], [C] ja [D]. Kausta valiku muutmiseks vajutage mittedalvestatumise olekus nuppu **FOLDER/INDEX**. Igasse kausta saab salvestada kuni 200 faili.

- ① Valitud kaust

### Salvestamine (Joonis. 5)

1 Soovitud kausta valimiseks vajutage nuppu **FOLDER/INDEX**.

2 Salvestamise alustamiseks vajutage nuppu **REC** (●).

- Salvestuse/esituse signaallamp muutub punaseks ning algab salvestamine.

3 Salvestamise lõpetamiseks vajutage nuppu **STOP** (■).

- Uued salvestused talletatakse kausta viimase failina.

- ① Valitud kaust
- ② Valitud salvestusreežim
- ③ Valitud faili number
- ④ Salvestusaeg
- ⑤ Järelejäädud salvestusaeg
- ⑥ Salvestamise tasememööta

### Taasesitus (Joonis. 6)

1 Soovitud kausta valimiseks vajutage nuppu **FOLDER/INDEX**.

2 Taasesitatava faili valimiseks vajutage nuppu ►►| või |◄◄.

3 Taasesituse alustamiseks vajutage nuppu **PLAY/OK** (►).

- Salvestuse/esituse signaallamp muutub roheliseks ja ekraanil kuvatakse möödunud esitusaeg.

4 Sobiva helitugevuse valimiseks vajutage nuppu + või –.

- Ekraanil kuvatakse helitugevuse tase. Valimisvahemik on [00] kuni [30].

- ① Valitud faili number

- ② Esitusaeg

Peatamine: (Joonis. 7)

Vajutage nuppu **STOP** (■).

- Diktofon peatab esitatava faili ajal töö.

### Kustutamine

#### Failide kustutamine üksikhaaval (Joonis. 8)

1 Kausta valimiseks vajutage nuppu **FOLDER/INDEX**.

2 Kustutatava faili valimiseks vajutage nuppu ►►| või |◄◄.

- ① Kustutatav fail

3 Vajutage nuppu **ERASE** (●).

4 Vajutage nuppu ►►|, et valida [Start].

5 Vajutage nuppu **PLAY/OK** (►).

#### Kõikide failide kustutamine kaustast (Joonis. 9)

1 Kustutatava kausta valimiseks vajutage nuppu **FOLDER/INDEX**.

- ① Kustutatav kaust

2 Vajutage kaks korda nuppu **ERASE** (●).

3 Vajutage nuppu ►►|, et valida [Start].

4 Vajutage nuppu **PLAY/OK** (►).

Märkused:

- Kustutatud faili ei ole võimalik taastada.

- Kustutusvastase lukustusega faili ei kustutata.

- Kustutamiseks võib kuluda mitu sekundit. Ärge üritage selle aja jooksul diktofonist patareid eemaldada, seda asendada või mid toiminguid sooritada, kuna see võib andmeid kahjustada.

### Muud funktsioonid

#### Arvutiga ühendamine (Joonis. 10)

Peale diktofonina kasutamise võite seadet kasutada oma arvuti mäluseadmena.

• Selle diktofoniga salvestatud helifaile saate arvutis taasesitada Windows Media Playeri abil. Samuti võite Windows Media Playeri abil alla laaditud WMA-faile diktofoniga laadida ja sealt kuulata (välja arvatud autoriõigusega kaitstud faile).

1 Ühendage diktofoni USB-terminali arvuti USB-pordi või USB-jaoturiga.

- Pärast [Remote] kuvamist saate andmeid salvestada ja lugeda.

2 Laadige helifaailid oma arvutisse.

- Ühendage diktofon arvutiga ja käivitage Explorer.

- Diktofon tuvastatakse irdkettana.
- Viie kausta nimed on DSS\_FLDA, B, C, D ja E. Helifaailid on neisse kaustadesse salvestatud.

- Kõik selle diktofoniga salvestatud helifaailid on WMA-vormingus.

nt:  
VN-6500PC: VN\_650001.WMA  
VN-5500PC: VN\_550001.WMA  
VN-3500PC: VN\_350001.WMA

- Kui kasutate operatsioonisüsteemi Windows 2000, peab arvutisse olema installitud Windows Media Player.

3 Klõpsake [ ] tegumiribal ekraani paremas allurvas. Klõpsake [Riistvara ohutu eemaldamine].

- ① USB-pesa
- ② Andmete saatmine
- ③ Andmete vastuvõtmine

Diktofoni kasutamine arvutis	
<b>Windows</b>	<p><b>Operatsioonisüsteem:</b> Microsoft Windows 2000/XP/Vista (standardinstall)</p> <p><b>Ühilduvad arvutid:</b> Windowsi arvutid, millel on rohkem kui üks vaba USB-port</p>
<b>Macintosh</b>	<p><b>Operatsioonisüsteem:</b> Mac OS X 10.2.8 – 10.5 (standardinstall)</p> <p><b>Ühilduvad arvutid:</b> Apple Macintoshi seeriad, millel on rohkem kui üks vaba USB-port</p>

Tugiteenus ei aita teid juhul, kui teie arvuti on värskenudatud operatsioonisüsteemilt Windows 95 või 98 operatsioonisüsteemile Windows 2000/XP/Vista. Ise muudetud arvuti mittetoimimiste puhul kasutustingimuste garantiid ei kehti.

#### Märkused:

- Ärge KUNAGI ühendage USB-d, kui salvestuse/esituse signaallamp vilgub punaselt. Vastasel juhul võivad teie andmed hävineda.
- Oma arvuti USB-pordi või USB-jaoturi kohta saate teavet arvuti kasutusjuhendist.
- Kuna müral võib olla diktofoni läheduses elektroonikaseadmetele soovimatu mõju, eemaldage diktofoni külgsest selle arvutiga ühendamisel kõrvaklapid.

## Üldised ettevaatusabinõud

Lugege see juhend hoolikalt läbi, et teaksite, kuidas diktofoni ohutult ja õigesti kasutada. Hoidke kasutusjuhendit käepärases kohas, et seda vajadusel uuesti lugeda.

• Hoiatussümbolid tähistavad ohtu teie kohta käivat olulist teavet. Vigastuste ja kahjustuste vältimiseks on oluline, et tutvute alati hoiatuste ja muu teabega.

## Hoiaatus andmete kadumise kohta.

- Mälusse salvestatud andmed võivad hävida või kustuda väärkasutuse või seadme rikke tõttu või parandusöö käigus.
- Oluliste salvestatud andmete puhul soovitate teil need kuhugi üles kirjutada või teha failist arvutisse varukoopia.
- Olympus ei vastuta andmete kadumisest tingitud kahju eest, mis on tekkinud toote defekti, Olympuse volitatud esinduses või mujal tehtud parandustööde tõttu või muudel põhjustel.

## Ohutu ja õige kasutuse nimel

- Vähendage kindlasti enne kõrvaklappide kasutamist helitugevust, kuna muidu võib kõrvakuulmine kahjustada ja/või kuulmishäired tekkida.
- Ärge kasutage kõrvaklappide pikka aega suurel helitugevusel, kuna kõrvakuulmine võib kahjustada ja/või kuulmishäired tekkida.
- Enne akude vahetamist seadistage diktofon stopprežiimile. Patareide eemaldamine diktofoni kasutamise ajal võib faili rikkuada.
- Ärge jätke diktofoni sellisesse kuuma ja niiskesse kohta, nagu otse päikese käes seisev auto või suvel rand.
- Ärge hoidke diktofoni liiga niiskes või tolmuses kohas.
- Ärge kasutage korpuse puhastamiseks orgaanilisi lahuseid, nagu alkohol või värvilahustid.
- Ärge asetage diktofoni elektriseadmete (nt teler või külmik) peale ega nende läheduses.
- Vältige salvestamist või taasesitamist mobiiltelefonide või teiste juhtmeta seadmete läheduses, sest need võivad häireid või müra põhjustada. Kui müra siiski tekib, minge kaugemale või asetage diktofon seadmest eemale.
- Vältige liiva ja mustust. Need võivad põhjustada parandamatut kahju.
- Vältige tugevat vibratsiooni ja pörutusi.
- Ärge korpust ise lahti võtke, parandage ega muutke.
- Ärge kasutage seadet sõiduki (nt jalgratta, mootorratta või kartautu) juhtimise ajal.
- Hoidke seadet lastele kättesaamatus kohas.

## Patarei

### ⚠ Hoiaatus:

- Mitte ühelgi juhul ärge sisestage patareipessa muid asju kui patarei. Vastasel juhul võib tagajärjeks olla patarei lekkimine, ülekuumenemine, süttimine või plahvatus.
- Patareid ei tohi kunagi tulle asetada, kuumutada, lahti võtta ega selles lühist tekitada.
- Ärge püüdke leelis-, liitium- ega teisi mittelaetaavaid patareid uuesti laadida.
- Ärge kasutage kunagi patareid, mille väliskest on rebenenud või pragunenud.
- Hoidke patareid lastele kättesaamatus kohas.
- Kui märkate seadme kasutamisel midagi ebatavalist, näiteks ebatavaline heli, kuumus, suits või kõrbemiselõhn,
  - ① eemaldage kohe ettevaatlikult patarei ning
  - ② kui seade vajab hooldust, pöörduge edasimüüja või kohaliku Olympuse esinduse poole.

## Täpsustused

### Salvestusmeedium:

Sisemälu

### Üldine sagedus:

**VN-6500PC, VN-5500PC:**

Režiim HQ: 200 kuni 13 000 Hz

Režiim SQ: 200 kuni 7 000 Hz

Režiim LP: 200 kuni 3 000 Hz

**VN-3500PC:**

Režiim HQ: 200 kuni 13 000 Hz

Režiim SQ: 200 kuni 7 000 Hz

Režiim LP: 200 kuni 3 000 Hz

### Salvestusaeg:

**VN-6500PC, VN-5500PC: 512 MB**

Režiim HQ: ligikaudu 35 tundi ja 20 minutit

Režiim SP: ligikaudu 69 tundi ja 35 minutit

Režiim LP: ligikaudu 221 tundi ja 30 minutit

**VN-3500PC: 128 MB**

Režiim HQ: ligikaudu 8 tundi ja 40 minutit

Režiim SP: ligikaudu 17 tundi ja 10 minutit

Režiim LP: ligikaudu 54 tundi ja 40 minutit



- Ülalnimetatud salvestusajad märgivad aegu pärast diktofoni salvestatud juhendi kustutamist.
- Juhendi saab kustutada, kui ühendate diktofoni arvutiga ja seejärel kustutate või vormindate diktofoni ümber. Üksikasjadega tutvumiseks vaadake palun lõiku „**Diktofoni vormindamine [Format]**“.
- Enne andmete kustutamist tehke juhendi PDF-andmetest varufail.

#### Mikrofon:

Elektreetmikrofon (mono)

#### Kõlar:

Sisseehitatud ø 23 mm ümar dünaamiline kõlar

#### Maksimumtoide:

250 mW

#### Maksimaalne kõrvaklappide väljund:

≤ 150 mV

(vastavalt standardile EN 50332-2)

#### Kõrvaklapipesa (mono):

ø 3,5 mm diameeter, takistus 8 Ω

#### Mikrofonipesa (mono):

ø 3,5 mm diameeter, takistus 2 kΩ

#### Toide:

Kaks AAA (LR03) patareid või kaks NI-MH korduvlaetavat akut

#### Patareide kestvus:

Leelispatareid:

ligikaudu 37 tundi

NI-MH korduvlaetavad akud:

ligikaudu 25 tundi

#### Mõõtmed:

102 (pikkus) mm x 37 (laius) mm x 18,8 (paksus) mm

(ilma väljaulatavate osadeta)

#### Kaal: 64,8 g (kaasa arvatud patareid)

- Patarei eluiga on mõõdetud Olympuse poolt. See sõltub suuresti patareide tüübist ja kasutustingimustest.
- Teie salvestatud sisu on ainult teie isiklikuks kasutamiseks või nautimiseks. Vastavalt autoriõiguse seadusele on keelatud autoriõigusega kaitstud materjalide salvestamine autoriõiguse omaja loata.
- Tehnilised andmed ja disain võivad tähistamise käigus ette teatamata muutuda.

## Lisatarvikud (müüakse eraldi)

#### Ni-MH korduvlaetavate akude

laadija: BU-400 (ainult Euroopas)

#### Ni-MH korduvlaetav aku:

BR401

#### Ühenduskaabel (kõrvaklapipesa

↔ mikrofonipesa): KA333

#### Müratasandusega mikrofon:

ME52

#### Elektreetmikrofon:

ME15

#### Monokõrvaklapid: E20

Telefoniandur: TP7

Kaalapael: ST26



„CE“ märgis viitab sellele, et see toode vastab Euroopa ohutus-, tervise-, keskkonna- ja tarbijakaitsenõuetele.



Seesümbol (lääbikriipsutatud ratastega prügikast WEEE IV lisa) tähistab elektriliste ja elektrooniliste seadmete eraldi kogumist ELi riikides.



Palun ärge visake seadet olmeprügi hulka. Selle toote kõrvaldamiseks

kasutage palun teie riigis olemasolevaid tagastus- ja kogumissüsteeme.

Kohaldatav toode: VN-6500PC, VN-5500PC, VN-3500PC



Seesümbol (lääbikriipsutatud ratastel prügikast, direktiivi 2006/66/EÜ II lisa) tähistab kasutatud patareide eraldi kogumist ELi riikides. Palun ärge visake patareid olmeprügi hulka. Kasutatud

patareide kõrvaldamiseks kasutage palun teie riigis olemasolevaid tagastus- ja kogumissüsteeme.

## ES Introducción

- Este manual es una versión básica. Consulte el manual avanzado completo desde los datos almacenados en la carpeta [OL\_MANUAL] de la grabadora o bien descargue los datos desde el sitio web de OLYMPUS.
- El contenido de este documento puede ser modificado en el futuro sin previo aviso. Póngase en contacto con nuestro Centro de atención al cliente para obtener la información más reciente sobre nombres de productos y números de modelos.
- Se ha puesto el máximo cuidado para garantizar la integridad del contenido de este documento. En el caso poco probable de que encuentre un elemento cuestionable, un error o una omisión, póngase en contacto con nuestro Centro de atención al cliente.
- No se asumirá responsabilidad alguna por daños y perjuicios pasivos ni de cualquier otro tipo derivados de la pérdida de datos producida por un defecto del producto, una reparación que no haya efectuado Olympus ni un servicio técnico autorizado por Olympus; así como tampoco por cualquier otra razón.

### Marcas comerciales y marcas comerciales registradas:

- Microsoft, Windows y Windows Media son marcas comerciales registradas de Microsoft Corporation.
- Macintosh es la marca comercial de Apple Inc.



### Utilización segura y adecuada

Antes de usar su nueva grabadora, lea detenidamente este manual para asegurarse de que sabe cómo utilizarla de forma correcta y segura. Guarde este manual en un lugar accesible para futuras consultas.

- Los símbolos de advertencia indican información importante relacionada con la seguridad. Para evitar que usted, otras personas o sus pertenencias puedan resultar dañados, es esencial que lea todas las advertencias y la información que le proporcionamos.

## Primeros pasos

### Identificación de las partes

- 1 Micrófono integrado
  - 2 Clavija para (micrófono) MIC
  - 3 Interruptor HOLD
  - 4 Terminal USB
  - 5 Botón STOP (■)
  - 6 Clavija para EAR (auriculares)
  - 7 Botón PLAY/OK (▶)
  - 8 Botón ◀◀ (rebobinado)
  - 9 Tapa del compartimento para las baterías
  - 10 Botón FOLDER/INDEX
  - 11 Clavija para EAR (auriculares)
  - 12 Pantalla (panel LCD)
  - 13 Piloto de grabación/reproducción
  - 14 Botón REC (●)
  - 15 Botón +
  - 16 Botón ▶▶▶ (avance rápido)
  - 17 Botón -
  - 18 Botón DISP/MENU
  - 19 Botón ERASE (●)
  - 20 Anclaje para la correa
- La correa no está incluida. Utilice el accesorio opcional.

### Pantalla (panel LCD):

- 1 Indicador de carpeta
- 2 Indicador de sensibilidad del micrófono
- 3 Indicador del filtro LowCut \*
- 4 Indicador de activación por voz
- 5 [HQ SP LP] Indicador de modo de grabación
- 6 Indicador de reproducción rápida
- 7 Indicador de reproducción lenta
- 8 Indicador de repetición de la reproducción de segmentos\*
- 9 Indicador de guía
- 10 Pantalla de información sobre caracteres
- 11 Indicador de nivel de grabación
- 12 Indicador de carga de las baterías
- 13 Indicador de bloqueo de borrado
- 14 Número de archivo actual

\* Sólo para VN-6500PC.

### Colocación de las baterías (Fig. 1)

- 1 Presione ligeramente sobre la flecha y deslice la tapa del compartimento para baterías para abrirlo.
- 2 Coloque dos baterías alcalinas tamaño AAA, comprobando que sitúa los polos en la posición correcta.
- 3 Cierre completamente la tapa del compartimento.
  - Cuando el interruptor HOLD está en la posición que indica la flecha, la pantalla se apaga después de que aparezca [HOLD]. Continúe con el siguiente paso ignorando lo anterior.

Con esta grabadora también podrá utilizar las baterías recargables Ni-MH (BR401) de Olympus.

### Sustitución de las baterías:

Si aparece en la pantalla el símbolo , cambie las baterías lo antes posible. Se recomiendan baterías alcalinas tamaño AAA. Cuando las baterías se agotan, aparece en pantalla el símbolo y la grabadora se apaga.

- Antes de cambiar las baterías, asegúrese de colocar el interruptor HOLD en la posición contraria a la que indica la flecha.

### Alimentación (Fig. 2)

#### Encendido:

Coloque el interruptor HOLD en la posición contraria a la que indica la flecha.

#### Apagado:

Coloque el interruptor HOLD en la posición que indica la flecha cuando la grabadora no esté en funcionamiento.

#### Modo de espera y pantalla apagada:

Si la grabadora se detiene 5 minutos durante la grabación o la reproducción, entra en modo de espera (de ahorro de energía) y la pantalla se apaga. Para salir del modo de espera y encender la pantalla, pulse cualquier botón.

### Definición de hora y fecha

#### [Fecha y hora] (Fig. 3)

Tanto la primera vez que coloque las baterías como cada vez que las cambie, parpadeará el indicador de "Hora". Cuando esto suceda, asegúrese de ajustar la hora y la fecha siguiendo los pasos 4 - 6 descritos a continuación.

**1 Mantenga pulsado el botón DISP/MENU durante al menos 1 segundo para ir al menú principal.**

**2 Pulse los botones ►►|◀◀ para seleccionar [Sub Menú].**

**3 Pulse el botón PLAY/OK (►).**

- [Fecha y hora] aparecerá en la pantalla, y [◀◀] parpadeará.

**4 Pulse los botones ►►|◀◀ para seleccionar el elemento que desea ajustar.**

- Seleccione "Mes", "Día", "Año", "Hora" o "Minuto" marcándolo con un círculo intermitente.

**5 Pulse los botones + y - para ajustar los valores.**

- Siga los mismos pasos pulsando los botones ►►|◀◀ para elegir el siguiente elemento, y pulse los botones + y - para ajustar los valores.

**6 Pulse el botón PLAY/OK (►) para salir de la pantalla de configuración.**

- El reloj comenzará a funcionar a partir de la fecha y hora ajustadas.
- Pulse el botón PLAY/OK (►) cuando lo indique la señal de hora.

**7 Pulse el botón STOP (■) para salir del modo menú.**

#### Notas sobre las carpetas (Fig. 4)

La grabadora dispone de cinco carpetas, [A], [B], [C], [D] y [E]. Para seleccionar distintas carpetas, pulse el botón FOLDER/INDEX con la grabadora detenida. En cada carpeta puede grabarse un máximo de 200 archivos.

- ① Carpeta actual

#### Grabación (Fig. 5)

**1 Pulse el botón FOLDER/INDEX para seleccionar la carpeta deseada.**

**2 Pulse el botón REC (●) para comenzar la grabación.**

- El indicador de grabación/reproducción se ilumina en rojo, y comienza la grabación.

**3 Pulse el botón STOP (■) para detener la grabación.**

- Las grabaciones nuevas se guardan como el último archivo de la carpeta.

- ① Carpeta actual
- ② Modo de grabación actual
- ③ Número de archivo actual
- ④ Tiempo de grabación
- ⑤ Tiempo de grabación restante
- ⑥ Indicador del nivel de grabación

#### Reproducción (Fig. 6)

**1 Pulse el botón FOLDER/INDEX para seleccionar la carpeta deseada.**

**2 Pulse los botones ►►|◀◀ para seleccionar el archivo que desea reproducir.**

**3 Pulse el botón PLAY/OK (►) para comenzar la reproducción.**

- El indicador de grabación/reproducción se vuelve de color verde, y se muestra en pantalla el tiempo de reproducción transcurrido.

**4 Pulse el botón + o - para seleccionar el volumen de sonido adecuado.**

- La pantalla mostrará el nivel de volumen. Puede elegir el nivel deseado entre [00] y [30].

- ① Número de archivo actual
- ② Tiempo de reproducción

#### Para parar: (Fig. 7)

**Pulse el botón STOP (■)**

- La grabadora se detendrá en mitad del archivo que se está reproduciendo.

#### Borrar

##### Borrar archivos de uno en uno (Fig. 8)

**1 Pulse el botón FOLDER/INDEX para seleccionar la carpeta.**

**2 Pulse los botones ►►|◀◀ para seleccionar el archivo que desea borrar.**

- ① Archivo que se borrará

**3 Pulse el botón ERASE (●).**

**4 Pulse el botón ►►|◀◀ para seleccionar [comienzo].**

**5 Pulse el botón PLAY/OK (►).**

##### Borrar todos los archivos de una carpeta (Fig. 9)

**1 Pulse el botón FOLDER/INDEX para seleccionar la carpeta que desea borrar.**

- ① Carpeta que se borrará

**2 Pulse dos veces el botón ERASE (●).**

**3 Pulse el botón ►►|◀◀ para seleccionar [comienzo].**

**4 Pulse el botón PLAY/OK (►).**

**Notas:**

- Un archivo borrado no puede recuperarse.
- Los archivos con el bloqueo de borrado no se eliminarán.
- La operación de borrado puede llevar varios segundos. No trate de retirar ni cambiar las baterías, ni pruebe ninguna otra función de la grabadora de voz durante este proceso, pues los datos podrían dañarse.

#### Otras funciones

##### Cómo conectarse a su ordenador (Fig. 10)

Además de usar esta unidad como grabadora, puede utilizarla como memoria externa para su ordenador, como dispositivo de almacenamiento.

- Los archivos de sonido guardados en esta grabadora pueden reproducirse en su ordenador con el reproductor de Windows Media. También puede transferir los archivos WMA descargados con el reproductor de Windows Media a su grabadora y disfrutar de ellos (excepto los archivos protegidos por las leyes de propiedad intelectual).

**1 Conecte el terminal USB de la grabadora al puerto o concentrador USB del ordenador.**

- Después de que aparezca [Remota], podrá guardar o leer los datos.

**2 Transferencia de los archivos de sonido a su ordenador.**

- Conecte la grabadora a su ordenador y abra el Explorador.
- La grabadora será reconocida como disco extraíble.
- Las cinco carpetas reciben el nombre de DSS\_FLDA, B, C, D y E. Los archivos de sonido se guardarán en estas carpetas.
- Todos los archivos de sonido guardados en esta grabadora tienen formato WMA.

- Por ejemplo:  
 VN-6500PC: VN\_650001.WMA  
 VN-5500PC: VN\_550001.WMA  
 VN-3500PC: VN\_350001.WMA
- Si utiliza Windows 2000, debe tener instalado el reproductor de Windows Media en el ordenador.

### 3 Haga clic en en la barra de herramientas, en el ángulo inferior derecho de la pantalla. Haga clic en [Quitar hardware con seguridad].

- 1 Terminal USB
- 2 Envío de datos
- 3 Recepción de los datos

#### Utilización de la grabadora en su ordenador

Windows	<b>Sistema operativo:</b> Microsoft Windows 2000/XP/Vista (instalación estándar)
	<b>Ordenadores compatibles:</b> Ordenadores Windows con más de un puerto USB libre
Macintosh	<b>Sistema operativo:</b> Mac OS X 10.2.8 ~ 10.5 (instalación estándar)
	<b>Ordenadores compatibles:</b> Serie Apple Macintosh con más de un puerto USB libre

El servicio técnico no estará incluido si ha actualizado su ordenador de Windows 95 o 98 a Windows 2000/XP/Vista. Los fallos en un ordenador que haya modificado usted mismo no estarán cubiertos por la garantía de funcionamiento.

#### Notas:

- NUNCA desconecte el USB mientras el piloto de grabación/reproducción rojo parpadee. Si lo hace, podría perder los datos.
- Consulte el manual del usuario de su ordenador para obtener información sobre el puerto o concentrador USB del mismo.
- Dado que el ruido puede causar efectos perjudiciales sobre los dispositivos electrónicos cercanos a la grabadora, desenchufe los auriculares cuando conecte la grabadora a un ordenador.

## Precauciones generales

Lea detenidamente este manual para asegurarse de que sabe cómo utilizar de forma correcta y segura la grabadora. Guarde este manual en un lugar accesible para futuras consultas.

- Los símbolos de advertencia indican información importante relacionada con la seguridad. Para evitar que usted, otras personas o sus pertenencias puedan resultar dañados, es esencial que lea todas las advertencias y la información que le proporcionamos.

#### Advertencia sobre la pérdida de datos:

- El contenido grabado en la memoria puede ser destruido o borrado debido a errores operativos o mal funcionamiento de la unidad, o durante una reparación.
- Recomendamos que anote el contenido importante en algún otro lugar o que realice una copia del mismo descargándolo a un ordenador.
- Olympus no asumirá responsabilidad alguna por daños o perjuicios pasivos ni de cualquier otro tipo derivados de la pérdida de datos producida por un defecto del producto, una reparación que no haya efectuado Olympus ni un servicio técnico autorizado por Olympus; así como tampoco por cualquier otra razón.

## Instrucciones para usar la grabadora de forma segura y correcta

- Utilice los auriculares únicamente después de reducir hasta un nivel adecuado el volumen de los mismos. De lo contrario, podría dañar su capacidad auditiva y generar otro tipo de desórdenes auditivos.
- No utilice los auriculares a volúmenes elevados durante un periodo de tiempo prolongado, ya que podría dañar su capacidad auditiva y generar otro tipo de desórdenes auditivos.
- Asegúrese de detener la grabadora antes de proceder al cambio de baterías. Quitar las baterías mientras la grabadora está en funcionamiento podría dañar el archivo.

- No deje la grabadora en lugares cálidos ni húmedos, como el interior de un coche cerrado aparcado al sol o la playa en verano.
- No guarde la grabadora en lugares con demasiada humedad o mucho polvo.
- No utilice disolventes orgánicos como el alcohol o la acetona para limpiar la unidad.
- No coloque la grabadora sobre aparatos eléctricos como televisores o frigoríficos ni cerca de ellos.
- Procure no grabar ni reproducir cerca de teléfonos móviles ni de otros aparatos inalámbricos, pues podrían causar interferencias y ruidos. Si nota ruidos, muévase hasta otro sitio o aleje más la grabadora de los mencionados aparatos.
- Evite la arena y la suciedad. Pueden causar daños irreparables.
- Evite vibraciones y golpes fuertes.
- No desmonte, repare ni modifique la unidad usted mismo.
- No utilice la unidad mientras conduce un vehículo (una bicicleta, una motocicleta o un kart, por ejemplo).
- No deje la unidad al alcance de los niños.

#### Baterías

##### ⚠ Advertencia:

- Bajo ninguna circunstancia debe insertar ninguna otra pieza en el compartimento de las baterías que no sea la unidad principal. De lo contrario, podría provocarse un sobrecalentamiento, escape, fuego o explosión en las baterías.
- Nunca exponga las baterías al fuego, a otra fuente de calor ni a un cortocircuito, y nunca las desmonte.
- No intente recargar las baterías alcalinas, las de litio ni ningún otro tipo de baterías que no sean recargables.
- No use nunca baterías que tengan la cubierta rota o rajada.
- No deje las baterías al alcance de los niños.
- Si percibe alguna anomalía al usar este producto, como un ruido extraño, calor, humo o cualquier olor a quemado, por ejemplo:
  - 1 retire inmediatamente las baterías procurando no quemarse, y
  - 2 llame a su distribuidor o representante local de Olympus para acceder al servicio técnico.

## Especificaciones

### Soporte de grabación:

Memoria flash integrada

### Frecuencia general:

#### **VN-6500PC y VN-5500PC:**

Alta calidad (HQ): de 200 a 13.000 Hz  
Calidad estándar (SQ): de 200 a 7.000 Hz  
Reproducción prolongada (LP): de 200 a 3.000 Hz

#### **VN-3500PC:**

Alta calidad (HQ): de 200 a 13.000 Hz  
Calidad estándar (SQ): de 200 a 7.000 Hz  
Reproducción prolongada (LP): de 200 a 3.000 Hz

### Tiempo de grabación:

#### **VN-6500PC y VN-5500PC: 512 MB**

Alta calidad (HQ): 35 horas y 20 minutos aproximadamente  
Reproducción estándar (SP): 69 horas y 35 minutos aproximadamente  
Reproducción prolongada (LP): 221 horas y 30 minutos aproximadamente

#### **VN-3500PC: 128 MB**

Alta calidad (HQ): 8 horas y 40 minutos aproximadamente  
Reproducción estándar (SP): 17 horas y 10 minutos aproximadamente  
Reproducción prolongada (LP): 54 horas y 40 minutos aproximadamente

- Los tiempos de grabación anteriormente mencionados indican los tiempos posteriores a la eliminación de los datos del manual almacenados en la grabadora.
- Los datos del manual pueden eliminarse conectándose a un ordenador y borrándolos o formateando la grabadora. Para obtener más información, consulte "Cómo formatear la grabadora [Format]".
- Antes de eliminar los datos, copie los datos del PDF del manual en un archivo de respaldo.

### Micrófono:

Micrófono de condensador electret (monoaural)

### Altavoz:

Altavoz dinámico redondo integrado de 23 mm de diámetro

### Potencia máxima:

250 mW

### Potencia máxima de los auriculares:

≤ 150 mW  
(de acuerdo con la normativa EN 50332-2)

### Clavija para auriculares (monoaural):

3,5 mm de diámetro, impedancia de 8 Ω

### Clavija para micrófono (monoaural):

3,5 mm de diámetro, impedancia de 2 kΩ

### Fuente de alimentación:

Dos baterías AAA (LR03) o dos baterías recargables Ni-MH

### Duración de las pilas:

Baterías alcalinas:  
37 horas aproximadamente  
Baterías recargables Ni-MH:  
25 horas aproximadamente

### Dimensiones:

102 mm de largo x 37 mm de ancho x 18,8 mm de grosor (sin prominencias)

### Peso: 64,8 g (incluidas las baterías)

- La duración de las baterías ha sido medida por Olympus. Puede variar de modo considerable según el tipo de baterías que utilice y según las condiciones de uso.
- El contenido de sus grabaciones está destinado exclusivamente a su uso y disfrute personal. La ley de propiedad intelectual prohíbe grabar material registrado sin contar con el permiso de los propietarios de los derechos de reproducción.
- Las especificaciones y el diseño pueden variar sin previo aviso para mejorar el rendimiento.

## Accesorios (opcionales)

### Cargador de baterías recargables

**Ni-MH:** BU-400 (sólo para Europa)

### Baterías recargables Ni-MH:

BR401

**Cable de conexión (clavija para auriculares auriculares ↔ clavija para micrófono):** KA333

### Micrófono con cancelación de ruido:

ME52

### Micrófono de condensador electret:

ME15

**Auriculares dobles monoaurales:** E20

**Micrófono para teléfono:** TP7

**Correa para el cuello:** ST26



La marca "CE" indica que este producto cumple las normas europeas de seguridad, salud, medio ambiente y protección del cliente.



Este símbolo [contenedor de basura tachado del Anexo IV de la Directiva RAEE] indica que en los países de la UE los aparatos eléctricos y electrónicos usados deben depositarse en el contenedor correspondiente.

No mezcle el aparato con el resto de los residuos domésticos. Utilice los sistemas de devolución y recogida existentes en su país para deshacerse de este producto.

Productos a los que se aplica: VN-6500PC, VN-5500PC, VN-3500PC



Este símbolo [contenedor de basura tachado del Anexo II de la Directiva 2006/66/CE] indica que en los países de la UE las baterías gastadas deben depositarse en

el contenedor correspondiente. No mezcle las baterías con el resto de los residuos domésticos. Utilice los sistemas de devolución y recogida existentes en su país para deshacerse de las baterías gastadas.

## FI Johdanto

- Tämä on oppaan perusversio. Tutustu täydelliseen edistyneeseen oppaaseen, joka on tallennettu tallentimen [OL MANUAL]-kansioon, tai lataa tiedot OLYMPUS-sivustosta.
- Tämän asiakirjan sisältöä voidaan muuttaa vastaisuudessa ilmoittamatta siitä erikseen. Ottamalla yhteyttä asiakastueemme saat viimeisimmät tiedot tuotenimikkeistä ja mallinumeroista.
- Tämän asiakirjan sisällön paikkansapitävyys on tarkistettu huolellisesti. Jos tästä huolimatta havaitset tekstissä arveluttavan kohdan, virheen tai puutteen, ota yhteyttä asiakastueemme.
- Olympus ei ole vastuussa tietojen menetyksestä aiheutuvista välillisistä taimistään muista vahingoista, joihin on syynä tuotteen vika, muun kuin Olympuksen tai sen valtuuttaman huoltooliikkeen suorittama korjaus tai jokin muu syy.

### Tavaramerkit ja rekisteröidyt tavaramerkit:

- Microsoft, Windows ja Windows Media ovat Microsoft Corporationin rekisteröityjä tavaramerkkejä.
- Macintosh ja iTunes ovat Apple Inc:n tavaramerkkejä.



### Turvallinen ja asianmukainen käyttö

Lue tämä opas huolellisesti ennen uuden tallentimen käytön aloittamista, jotta varmasti osaat käyttää sitä turvallisesti ja oikein. Pidä opas helposti saatavilla tulevaa käyttöä varten.

- Varoitusymbolit viittaavat tärkeisiin turvallisuutta koskeviin tietoihin. Suojataksesi itsesi ja muut vammoilta tai omaisuusvahingoilta on aina tärkeää lukea annetut varoitukset ja tiedot.

## Käytön aloittaminen

### Osaluettelo

- 1 Sisäänrakennettu mikrofoni
- 2 MIC (mikrofoni) -liitin
- 3 HOLD-kytkin
- 4 USB-portti
- 5 STOP (■) -painike
- 6 PLAY/OK (▶) -painike
- 7 ◀◀ (taaksepäinkelaus) -painike
- 8 Paristolokeron kansi
- 9 FOLDER/INDEX -painike
- 10 EAR (kuuloke) -liitin
- 11 Näyttö (nestekidepaneeli)
- 12 Äänitys- ja toistotilan merkkivalo
- 13 REC (●) -painike
- 14 + -painike
- 15 ▶▶ (eteenpäinkelaus) -painike
- 16 - -painike
- 17 DISP/MENU -painike
- 18 ERASE (●) -painike
- 19 Hihnan reikä

- Hihnaa ei toimiteta laitteen mukana.
- Käytä valinnaista lisävarustetta.

### Näyttö (nestekidepaneeli):

- 1 Kansion ilmaisin
- 2 Mikrofonin herkkyyden ilmaisin

Low Cut filter -ilmaisin\*

Variable Control Voice

Actuator -ilmaisin

[HQ SP LP] Äänitystilän ilmaisin

[▶] Nopean toiston ilmaisin

[S] Hitaan toiston ilmaisin

[C] Segmentin toiston ilmaisin\*

- 3 Opasilmaisin
- 4 Merkinnäyttö
- Äänitustasomittari
- 5 Paristoilmaisin
- 6 Pyyhkimislukon merkkivalo
- 7 Nykyinen tiedostonumero

\* Vain VN-6500PC.

### Paristojen asentaminen (kuva 1)

- 1 Paina nuolta kevyesti alaspäin ja avaa paristolokeron kansi työntämällä.
- 2 Aseta tallentimeen kaksi AAA-koon paristoa ja varmista, että niiden napaisuudet ovat oikein.
- 3 Sulje paristolokeron kansi kokonaan.
  - Kun HOLD-kytkin on asetettu nuolen suuntaan, näyttö sammuu sen jälkeen, kun [HOLD] tulee näyttöön. Siirry seuraavaan vaiheeseen tästä välittömästi.

Tallentimessa voi käyttää Olympuksen valinnaisia Ni-MH-akkuja (BR401).

### Paristojen vaihto:

Kun kuvake tulee näyttöön, vaihda paristot mahdollisimman pian. Suosittelemme AAA-koon alkaliparistojen käyttöä. Kun paristojen virta on ehtynyt, tulee näyttöön ja tallennin sammuu.

- Varmista ennen paristojen vaihtamista, että HOLD-kytkin on asetettu nuolen vastaiseen suuntaan.

### Virtalähde (kuva 2)

### Käynnistys:

Työnnä HOLD-kytkintä nuolen vastaiseen suuntaan.

### Sammutus:

Työnnä HOLD-kytkintä nuolen suuntaan, kun tallennin ei ole toiminnassa.

### Valmiustila ja näytön sammutus:

Jos tallennin on ollut sammutettuna vähintään 5 minuuttia äänittämisen tai soittamisen aikana, se siirtyy valmiustilaan (virransäätötilaan) ja näyttö sammuu. Voit poistaa valmiustilasta ja käynnistää näytön painamalla mitä tahansa painiketta.

### Ajan ja päivämäärän asettaminen

[Time & Date] (kuva 3)

Kun asennat paristot ensimmäisen kerran tai vaihdat ne, "Month"-merkkivalo vilkkuu. Aseta tällöin aika ja päivämäärä alla kuvattujen vaiheiden 4–6 mukaan.

1 Siirry päävalikkoon painamalla DISP/MENU -painiketta vähintään 1 sekunnin ajan.

2 Paina ▶▶- tai ◀◀-painiketta ja valitse [Sub Menu].

- 3 Paina PLAY/OK (▶) -painiketta.**  
• [Time & Date] tulee näyttöön ja [◀◀◀▶▶▶] viilkku.

- 4 Valitse asetettava kohde painamalla ▶▶▶- tai ◀◀◀-painiketta.**  
• Valitse "Month", "Day", "Year", "Hour" tai "Minute" viilkkuvalla osoittimella.

- 5 Määritä asetus painamalla painiketta + tai –.**  
• Valitse seuraava kohde samalla tavalla painamalla ▶▶▶- tai ◀◀◀-painiketta ja määrittämällä asetus painamalla painiketta + tai –.

- 6 Viimeistelet asetuksen määrittäminen painamalla PLAY/OK (▶) -painiketta.**  
• Kello käynnistyy asetetusta päivämäärästä ja ajasta.  
• Paina PLAY/OK (▶) -painiketta aikamerkin mukaan.

- 7 Sulje valikkotila painamalla STOP (■) -painiketta.**

#### Kansioita koskevat huomautukset (kuva 4)

Tallentimessa on viisi kansiota: [F], [G], [H], [I] ja [J]. Voit vaihtaa valittua kansiota painamalla FOLDER/INDEX-painiketta, kun tallennin on pysäytetty. Jokaiseen kansioon voidaan äänittää enintään 200 tiedostoa.

- ① Nykyinen kansio

#### Äänittäminen (kuva 5)

- 1 Valitse haluamasi kansio painamalla FOLDER/INDEX -painiketta.**

- 2 Voit aloittaa äänityksen painamalla REC (●) -painiketta.**  
• Äänityksen ja toiston merkivalo muuttuu punaiseksi, ja äänitys alkaa.

- 3 Voit lopettaa äänityksen painamalla STOP (■) -painiketta.**  
• Uudet tallenteet tallennetaan kansion viimeiseksi tiedostoksi.

- ① Nykyinen kansio  
② Nykyinen äänitystilä  
③ Nykyinen tiedostonumero  
④ Äänitysaika  
⑤ Jäljellä oleva äänitysaika  
⑥ Äänitystasomittari

## Toisto (kuva 6)

- 1 Valitse haluamasi kansio painamalla FOLDER/INDEX-painiketta.**  
**2 Valitse toistettava tiedostopainamalla ▶▶▶- tai ◀◀◀-painiketta.**

- 3 Aloita toistaminen painamalla PLAY/OK (▶) -painiketta.**  
• Äänityksen ja toiston merkivalo muuttuu vihreäksi ja kulunut toistoaika tulee näyttöön.

- 4 Valitse haluamasi äänenvoimakkuuden taso painamalla painiketta + tai –.**  
• Äänenvoimakkuuden taso näkyy näyttöllä. Voit valita arvoksi [00]–[30].

- ① Nykyinen tiedostonumero  
② Toistoaika

#### Pysäyttämisen: (kuva 7)

#### Paina STOP (■) -painiketta.

- Tallennin pysähtyy toistettavan tiedoston keskellä.

## Poistaminen

#### Poistaminen tiedosto kerrallaan (kuva 8)

- 1 Valitse kansio painamalla FOLDER/INDEX -painiketta.**

- 2 Valitse poistettava tiedosto painamalla ▶▶▶- tai ◀◀◀-painiketta.**

- ① Poistettava tiedosto

- 3 Paina ERASE (●) -painiketta.**

- 4 Valitse [Start] painamalla ▶▶▶-painiketta.**

- 5 Paina PLAY/OK (▶) -painiketta.**

#### Kaikkien tiedostojen poistaminen kansiota (kuva 9)

- 1 Valitse poistettava kansio painamalla FOLDER/INDEX-painiketta.**

- ① Poistettava kansio

- 2 Paina ERASE (●) -painiketta kaksi kertaa.**

- 3 Valitse [Start] painamalla ▶▶▶-painiketta.**

- 4 Paina PLAY/OK (▶) -painiketta.**

#### Huomautuksia:

- Poistettua tiedosta ei voi palauttaa.

- Pyyhkimislukolla merkittyä tiedostoa ei poisteta.
- Poistaminen suoritaminen voi kestää useita sekunteja. Älä yritä poistaa tai vaihtaa paristoa tai suorittaa tallentimella muita toimintoja tänä aikana, sillä tiedot voivat vahingoittua.

## Muut toiminnot

#### Yhdistäminen tietokoneeseen (kuva 10)

Laitetta voi käyttää tallentimen lisäksi myös tietokoneen ulkoisena muistina toimivana tallennuslaitteena.

• Tallentimella äänitetyt äänitiedostot voidaan toistaa tietokoneella Windows Media Playerilla. Voit myös siirtää Windows Media Playerilla ladattuja WMA-tiedostoja tallentimeen ja nauttia niistä (tekijänoikeussuojattuja tiedostoja lukuun ottamatta).

- 1 Yhdistä tallentimen USB-portti tietokoneen USB-porttiin tai USB-keskittimeen.**

- Kun [Remote] näkyy näyttöllä, voit tallentaa tai lukea tietoja.

- 2 Siirrä äänitiedostot tietokoneelle.**

- Liitä tallennin tietokoneeseen ja käynnistä Resurssienhallinta.
- Tallennin nimeäminen siirrettävänä levyinä.
- Viiden kansion nimet ovat DSS\_FLD A, B, C, D ja E. Äänitiedostot tallennetaan näihin kansioihin.
- Kaikki lähtö tallentimella äänitetyt äänitiedostot ovat WMA-muotoisia.

esim.  
VN-6500PC: VN\_650001.WMA  
VN-5500PC: VN\_550001.WMA  
VN-3500PC: VN\_350001.WMA

- Jos käytät Windows 2000 -käyttöjärjestelmää, Windows Media Player on asennettava tietokoneeseen.

- 3 Napsauta [■] -kuvaketta näytön oikeassa alakulmassa olevassa tehtäväpalkissa. Napsauta [voit poistaa laitteen turvallisesti].**

- ① USB-portti  
② Tietojen vastaanottaminen  
③ Tietojen vastaanottaminen

## Tallentimen käyttö tietokoneen kanssa

<b>Windows</b>	<b>Käyttöjärjestelmä:</b> Microsoft Windows 2000 / XP / Vista (vakioasennus) <b>Yhteensopivat tietokoneet:</b> Windows-tietokoneet, joissa on yksi tai useampi vapaa USB-portti
<b>Macintosh</b>	<b>Käyttöjärjestelmä:</b> Mac OS X 10.2.8–10.5 (vakioasennus) <b>Yhteensopivat tietokoneet:</b> Apple Macintosh-tietokoneet, joissa on yksi tai useampi vapaa USB-portti

Tukipalvelu ei ole voimassa, jos tietokone on päivitetty Windows 95-tai 98-käyttöjärjestelmästä Windows 2000/XP/Vista -käyttöjärjestelmäksi. Takuu ei kata itse muunneltujen tietokoneiden viottumista.

### Huomautuksia:

- ÄLÄ KOSKAAN irrota USB-kaapelia, kun äänityksen ja toiston merkivalo palaa punaisena. Jos teet niin, tiedot voivat tuhoutua.
- Katso tietokoneen käyttöoppaasta tietoja sen USB-portista tai USB-keskittimestä.
- Koska melu voi vaikuttaa haitallisesti tallentimen lähellä oleviin elektroniisiin laitteisiin, irrota ulkoinen kuuloke, kun liität tallentimen tietokoneeseen.

## Yleishuomautuksia

Lue tämä osan huolellisesti, jotta varmistat osat käyttävä tallenninta turvallisesti ja oikein. Pidä osas helposti saatavilla tulevaa käyttöä varten.

- Varoitusymbolit viittaavat tärkeisiin turvallisuutta koskeviin tietoihin. Suojataksesi itsesi ja muut vammaillita tai omaisuusvahingoilta on aina tärkeää lukea annetut varoitukset ja tiedot.

## Tietojen katoamista koskeva varoitus:

- Muistiin tallennettu sisältö voi tuhoutua tai pyyhkiytyä käyttövärihoidon tai laitteen toimintahäiriön vuoksi tai korjauksen aikana.
- Suosittelemme, että kirjoitat tärkeät äänitetyt tiedot muistiin tai teet niistä varmuuskopion tietokoneelle.
- Olympus ei ole vastuussa passiivisista vahingoista tai mistään vahingosta, joka aiheutuu tietojen menetyksestä, johon on syyntä tuotteen vika, muun kuin Olympuksen taisyntuuttaman huoltoliikkeen suorittama korjaus tai jokin muu syy.

## Turvallinen ja oikea käyttö

- Aloita kuulokkeiden käyttö vasta, kun olet alentanut äänenvoimakkuutta riittävästi, muutoin seurauksena voi olla kuulon heikkeneminen ja/tai kuulovaurioita.
- Älä käytä kuulokkeita pitkiä aikoja suurella äänenvoimakkuudella, sillä siitä voi seurata kuulon heikkeneminen ja/tai kuulovaurioita.
- Muista pysäyttää tallennin ennen paristojen vaihtamista. Paristojen poistaminen tallentimen käytön aikana voi korruptoida tiedoston.
- Älä jätä tallenninta kuumaan tai kosteaan paikkaan kuten aurinkossa olevaan lukittuun autoon tai hiekkarannalle kesällä.
- Älä säilytä tallenninta hyvin kosteissa tai pölyisissä paikoissa.
- Älä puhdista laitetta orgaanisilla liuottimilla kuten alkoholilla tai maalinohenteilla.
- Älä pane tallenninta sähkölaitteiden kuten television tai jääkaapin päälle.
- Vältä äänittämistä tai kuuntelua matkapuhelinten tai langattomien puhelinlaitteiden läheisyydessä, koska ne voivat aiheuttaa häiriöitä ja kohinaa. Jos huomaat kohinaa, siirry toiseen paikkaan tai siirrä tallennin kauemmas mainituista laitteista.
- Estä hiekan tai lian joutuminen tallentimeen. Ne voivat aiheuttaa korjaamattomia vahinkoja.
- Vältä tallentimen joutumisen voimakkaan värähtelyn tai iskujen kohteeksi.
- Älä pura, korjaa tai muuntele laitetta itse.
- Älä käytä laitetta ajoneuvolla (esimerkiksi polkupyörällä, moottoripyörällä) ajaessasi tai lastenrattaita työntäessäsi.
- Pidä laite lasten ulottumattomissa.

## Paristo

### ⚠ Varoitus:

- Älä missään tapauksessa aseta paristolokeroon muita osia pääkytkön lisäksi. Tämä voi johtaa pariston tuotamiseen, ylikuumenemiseen, tulipaloon tai räjähdykseen.
- Paristoei koskaan saa joutua avotuleen tai kuumentua, se ei saa joutua oikoskuluun eikä siitä saa purkaa.
- Älä yritä ladata alkali- ja litiumparistoja tai muitakaan ei-ladattaviksi tarkoitettuja paristoja.
- Älä koskaan käytä paristoja, joiden ulkopinta on revennyt tai muuten rikkonainen.
- Pidä paristo lasten ulottumattomissa.
- Jos huomaat laitteesta tulevan käytön aikana epätavallisia ääniä, liiallista lämpöä, savua tai palaneen hajua:
  - poista paristot välittömästi varoen polttamasta itseäsi ja
  - kutsu laitteen myyjän tai paikallisen Olympus-edustajan huoltoasiantuntija paikalle.

## Tekniset tiedot

### Tallennusväline:

Sisäänrakennettu flash-muisti

### Kokonaistajuuus:

**VN-6500PC, VN-5500PC:**

HQ-tila: 200–13 000 Hz

SQ-tila: 200–7 000 Hz

LP-tila: 200–3 000 Hz

**VN-3500PC:**

HQ-tila: 200–13 000 Hz

SQ-tila: 200–7 000 Hz

LP-tila: 200–3 000 Hz

### Äänitys aika:

**VN-6500PC, VN-5500PC: 512 MB**

HQ-tila: noin 35 tuntia 20

minuuttia

SP-tila: noin 69 tuntia 35 minuuttia

LP-tila: noin 221 tuntia 30 minuuttia

**VN-3500PC: 128 MB**

HQ-tila: noin 8 tuntia 40 minuuttia

SP-tila: noin 17 tuntia 10 minuuttia

LP-tila: noin 54 tuntia 40 minuuttia

- Edellä mainitut tallennusajat viittaavat tallentimessa olevan käyttöoppaan tietojen poistamisen jälkeen käytettävissä olevaan aikaan.

- Käyttöoppaan tiedot voidaan poistaa liittäessä tallennin tietokoneeseen ja poistamalla tallentimessa olevat tiedot tai



alustamalla tallennin. Lisätietoja on kohdassa "**Tallentimen alustaminen [Format]**".

- Tee varmuuskopio käyttöoppaan PDF-muotoisista tiedoista ennen niiden poistamista.

#### **Mikrofoni:**

Elektriteettimikrofoni (mono)

#### **Kaiutin:**

Sisäänrakennettu ø 23 mm pyöreä dynaaminen kaiutin

#### **Maksimiteho:**

250 mW

#### **Kuulokkeiden enimmäisteho:**

≤ 150 mW

(standardin EN 50332-2 mukaan)

#### **Kuulokeliitin (mono):**

Halkaisija ø 3,5 mm, impedanssi 8 Ω

#### **Mikrofoniliitin (mono):**

Halkaisija ø 3,5 mm, impedanssi 2 kΩ

#### **Virtalähde:**

Kaksi AAA-koon paristoa (LR03) tai kaksi ladattavaa Ni-MH-akkaa

#### **Jatkuva paristokäyttö:**

Alkaliparistot: noin 37 tuntia

Ladattavat Ni-MH-akut: noin 25 tuntia

#### **Mitat:**

102 (P) mm x 37 (L) mm x 18,8 (S) mm (ulkonemia ei laskettu)

#### **Paino:** 64,8 g (sisältää paristot)

- Paristokestot ovat Olympuksen mittaamia. Kestot voivat vaihdella suuresti paristotyypin ja käyttöolosuhteiden takia.
- Äänitetty sisältö on tarkoitettu vain omaan käyttöösi tai omaksi iloksesi. Tekijänoikeuslakien alaisen aineiston äänittäminen ilman tekijänoikeuksien omistajien lupaa on tekijänoikeuslakien mukaan kiellettyä.
- Teknisiä tietoja ja laitteen rakennetta voidaan muuttaa ilman erillistä ilmoitusta laitteen suorituskyvyn parantamiseksi.

## **Lisävarusteet (valinnaisia)**

#### **Ladattavien Ni-MH-akkujen lauri:**

BU-400 (vain Eurooppa)

#### **Ladattava Ni-MH-akku:** BR401

**Liitäntäjohto (kuulokeliitin ↔ mikrofoniliitin):** KA333

#### **Melunvaimennuksella varustettu mikrofoni:** ME2

**Elektriteettimikrofoni:** ME15

**Kaksoismonokuulokkeet:** E20

**Puhelintoistorasia:** TP7

**Kaulahihna:** ST26



"CE"-merkki osoittaa, että tämä tuote täyttää eurooppalaiset turvallisuus-, terveys-, ympäristö- ja kuluttajan suojavaatimukset.



Tämä symboli [ristillä ylivedetty pyörillä varustettu jäteastia WEEE Liite IV] tarkoittaa sähkö- ja elektroniikkaromun erilliskeräystä EU-maissa. Älä heitä tätä laitetta pois tavallisen talousjätteen mukana.



Hyödynnä tuotetta hävitettäessä maassasi käytössä olevia palautus- ja keräysjärjestelmiä.

Soveltuva tuote: VN-6500PC, VN-5500PC, VN-3500PC



Tämä symboli [ristillä ylivedetty pyörillä varustettu jäteastia Direktiivi 2006/66/EC Liite II] tarkoittaa jäteparistojen-akkujen erilliskeräystä EU-maissa. Älä heitä paristoja tai akkuja pois tavallisen talousjätteen mukana. Hyödynnä jäteparistoja ja -akkuja hävitettäessä maassasi käytössä olevia palautus- ja keräysjärjestelmiä.

- Ce manuel est une version de base. Reportez-vous au manuel avancé complet disponible dans les données stockées dans le dossier [OL\_MANUAL] de l'enregistreur ou téléchargez ces données à partir du site Web OLYMPUS.
- Le contenu de ce document peut être modifié par la suite sans préavis. Pour obtenir les dernières informations relatives aux noms de produits et aux numéros de modèles, contactez notre centre de service après-vente.
- Le plus grand soin a été pris afin d'assurer l'intégrité du contenu de ce document. Dans le cas peu probable où vous auriez un doute ou si vous trouvez une erreur ou une omission, veuillez contacter notre centre de service après-vente.
- Toute responsabilité pour dommages passifs ou dommages de quelque nature que ce soit survenus à cause d'une perte de données causée par un défaut du produit, réparation effectuée par un tiers autre que Olympus ou un service agréé par Olympus, ou toute autre raison est exclue.

## Marques commerciales et déposées :

- Microsoft, Windows et Windows Media sont des marques déposées de Microsoft Corporation.
- Macintosh est la marque commerciale de Apple Inc.



## Utilisation sûre et correcte

Avant d'utiliser votre nouvel enregistreur, lisez attentivement ce mode d'emploi afin de pouvoir le manipuler d'une manière correcte et sûre. Conservez-le à un endroit aisément accessible pour toute consultation ultérieure.

- Les symboles d'avertissement indiquent des informations importantes liées à la sécurité. Pour vous protéger vous-même et les autres contre les blessures ou contre les dégâts matériels, il est essentiel que vous preniez toujours en compte les avertissements et informations fournis.

# Préparatifs

## Identification des éléments

- 1 Micro intégré
- 2 Prise MIC (micro)
- 3 Commutateur HOLD
- 4 Borne USB
- 5 Touche STOP (■)
- 6 Touche PLAY/OK (▶)
- 7 Touche ◀◀ (retour rapide)
- 8 Couvercle des piles
- 9 Touche FOLDER/INDEX
- 10 Prise EAR (écouteurs)
- 11 Affichage (panneau LCD)
- 12 Témoin d'enregistrement/lecture
- 13 Touche REC (●)
- 14 Touche +
- 15 Touche ▶▶ (avance rapide)
- 16 Touche -
- 17 Touche DISP/MENU
- 18 Touche ERASE (●)
- 19 Orifice de la sangle

- La sangle n'est pas fournie. Utilisez l'accessoire en option.

## Affichage (panneau LCD) :

- 1 Témoin de dossier
- 2 Témoin de sensibilité du micro
- Témoin du filtre LowCut\*
- Témoin du Déclenchement à la voix (Variable Control Voice Actuator, VCVA)
- Témoin du mode d'enregistrement
- Témoin de lecture rapide
- Témoin de lecture au ralenti
- Témoin de lecture répétée d'un segment\*
- 3 Témoin de guidage
- 4 Affichage d'informations sur les caractères  
Mesure du niveau d'enregistrement
- 5 Témoin de charge des piles
- 6 Témoin de verrouillage de l'effacement
- 7 Numéro du fichier actuel

\* Pour le VN-6500PC uniquement.

## Insertion des piles (fig. [1])

- 1 Appuyez légèrement sur la flèche et faites coulisser le couvercle des piles pour l'ouvrir.
- 2 Insérez deux piles alcalines AAA en respectant les polarités.
- 3 Refermez complètement le couvercle des piles.
  - Si le commutateur HOLD est réglé dans le sens de la flèche, l'écran s'éteint après l'affichage de [HOLD]. Passez à l'étape suivante sans y porter attention.

Vous pouvez utiliser une pile rechargeable Ni-MH (BR401) en option d'Olympus pour l'enregistreur.

## Remplacement des piles :

- Lorsque [ ] s'affiche, remplacez les piles dès que possible. Des piles alcalines AAA sont recommandées. Quand les piles sont usées, [ ] s'affiche et l'enregistreur s'éteint.
- Pour remplacer les piles, veuillez à régler d'abord le commutateur HOLD dans le sens contraire de la flèche.

## Alimentation électrique (fig. [2])

### Mise sous tension :

Faites glisser le commutateur HOLD dans le sens contraire à celui indiqué par la flèche.

### Mise hors tension :

Faites glisser le commutateur HOLD dans le sens indiqué par la flèche alors que l'enregistreur est à l'arrêt.

### Mode d'attente et coupure de l'affichage :

Si l'enregistreur est mis à l'arrêt pendant 5 minutes ou davantage pendant l'enregistrement ou la lecture, il passe en mode d'attente (mode d'économie d'énergie) et l'affichage s'éteint. Appuyez sur une touche quelconque pour quitter le mode d'attente et activer l'affichage.

## Réglage de l'heure et de la date

### [Heure et Date] (fig. [3])

A la première installation des piles ou à chaque remplacement des piles, l'indication «Mois» clignote. Dans ce cas, réglez l'heure et la date en vous conformant aux étapes 4 à 6 décrites ci-dessous.

- 1 Maintenez la touche DISP/MENU enfoncée pendant 1 seconde au moins pour accéder au menu principal.
- 2 Appuyez sur la touche ▶▶ ou ◀◀ sélectionner [Sous menu].

- 3 Appuyez sur la touche PLAY/OK (▶).**
- [Heure et Date] s'affiche et [▶◀] clignote.
- 4 Appuyez sur la touche ▶▶| ou ◀◀ pour sélectionner l'élément à régler.**
- Sélectionnez l'élément : « Mois », « Jour », « Année », « Heure » ou « Minute » (avec un point clignotant).
- 5 Appuyez sur la touche + ou – pour procéder au réglage.**
- Répétez la même procédure en appuyant sur la touche ▶▶| ou ◀◀ afin de sélectionner l'élément suivant, puis appuyez sur la touche + ou – pour procéder au réglage.

- 6 Appuyez sur la touche PLAY/OK (▶) pour terminer l'écran de configuration.**
- L'horloge démarre à la date et à l'heure définies.
  - Appuyez sur la touche PLAY/OK (▶) au signal horaire.
- 7 Appuyez sur la touche STOP (■) pour fermer le mode menu.**

#### Remarques sur les dossiers (fig. 4)

L'enregistreur est doté de cinq dossiers : [A], [B], [C], [D] et [E]. Pour changer de dossier, appuyez sur la touche FOLDER/INDEX lorsque l'enregistreur est à l'arrêt. Il est possible d'enregistrer jusqu'à 200 fichiers dans chaque dossier.

- ① Dossier actuel

### Enregistrement (fig. 5)

- 1 Appuyez sur la touche FOLDER/INDEX pour sélectionner le dossier souhaité.**
- 2 Appuyez sur la touche REC (●) pour lancer l'enregistrement.**
- Le témoin d'enregistrement/lecture devient rouge et l'enregistrement commence.
- 3 Appuyez sur la touche STOP (■) pour arrêter l'enregistrement.**
- Les nouveaux enregistrements sont sauvegardés comme dernier fichier dans le dossier.

- ① Dossier actuel  
 ② Mode d'enregistrement actuel  
 ③ Numéro du fichier actuel  
 ④ Durée d'enregistrement  
 ⑤ Durée d'enregistrement restante  
 ⑥ Mesure du niveau d'enregistrement

### Lecture (fig. 6)

- 1 Appuyez sur la touche FOLDER/INDEX pour sélectionner le dossier souhaité.**
- 2 Appuyez sur la touche ▶▶| ou ◀◀ pour sélectionner le fichier à lire.**
- 3 Appuyez sur la touche PLAY/OK (▶) pour lancer la lecture.**
- Letémoin d'enregistrement/lecture devient vert et la durée de lecture écoulée est indiquée à l'écran.
- 4 Appuyez sur la touche + ou – pour sélectionner le volume sonore correct.**
- Le niveau de volume est affiché. Vous pouvez choisir une valeur comprise entre [00] et [30].

- ① Numéro du fichier actuel

- ② Durée de lecture

#### Pour arrêter la lecture: (fig. 7)

#### Appuyez sur la touche STOP (■).

- L'enregistreur s'arrête au milieu du fichier en cours de lecture.

### Effacement

#### Effacement d'un fichier à la fois (fig. 8)

- 1 Appuyez sur la touche FOLDER/INDEX pour sélectionner le dossier.**
- 2 Appuyez sur la touche ▶▶| ou ◀◀ pour sélectionner le fichier à effacer.**
- ① Fichier à effacer
- 3 Appuyez sur la touche ERASE (●).**
- 4 Appuyez sur la touche ▶▶| pour sélectionner [début].**
- 5 Appuyez sur la touche PLAY/OK (▶).**

#### Effacement de l'ensemble des fichiers d'un dossier (fig. 9)

- 1 Appuyez sur la touche FOLDER/INDEX pour sélectionner le dossier à effacer.**
- ① Dossier à effacer
- 2 Appuyez à deux reprises sur la touche ERASE (●).**
- 3 Appuyez sur la touche ▶▶| pour sélectionner [début].**
- 4 Appuyez sur la touche PLAY/OK (▶).**

#### Remarques:

- Il est impossible de restaurer un fichier effacé.
- Les fichiers dont l'effacement est verrouillé ne sont pas effacés.

- L'opération d'effacement peut durer plusieurs secondes. Ne tentez pas de retirer ou de remplacer les piles, ou encore d'exécuter toute autre fonction sur l'enregistreur vocal pendant cette période, au risque d'altérer les données.

### Autres fonctions

#### Raccordement à votre ordinateur (fig. 10)

Outre l'utilisation de cet appareil comme enregistreur, il peut jouer le rôle de mémoire externe pour votre ordinateur, en tant que dispositif de stockage.

Les fichiers audio enregistrés par cet appareil peuvent être lus sur votre ordinateur à l'aide du Lecteur Windows Media. Vous pouvez également transférer des fichiers WMA téléchargés avec le Lecteur Windows Media vers votre enregistreur afin de les écouter (à l'exception des fichiers protégés par les droits d'auteur).

- 1 Raccordez la borne USB de l'enregistreur au port USB d'un ordinateur ou à un concentrateur USB.**

- Lorsque [Commande] s'affiche, vous pouvez enregistrer et lire les données.

- 2 Transférez les fichiers audio vers votre ordinateur.**

- Raccordez l'enregistreur à votre ordinateur et lancez l'Explorateur.
- L'enregistreur est reconnu en tant que disque amovible.
- Les cinq dossiers sont nommés DSS\_ FLDA, B, C, D et E. Les fichiers audio sont enregistrés dans ces dossiers.

- Tous les fichiers audio enregistrés à l'aide de cet appareil sont au format WMA.

A savoir:  
 VN-6500PC : VN\_650001.WMA  
 VN-5500PC : VN\_550001.WMA  
 VN-3500PC : VN\_350001.WMA

- Si vous utilisez Windows 2000, le Lecteur Windows Media doit être installé sur l'ordinateur.

- 3 Cliquez sur [ ] dans la barre des tâches située dans le coin inférieur droit de l'écran. Cliquez sur [Retirer le périphérique en toute sécurité].**

- ① Borne USB  
 ② Envoi des données  
 ③ Réception des données

## Utilisation de l'enregistreur sur votre ordinateur

<b>Windows</b>	<b>Système d'exploitation :</b> Microsoft Windows 2000/XP/Vista (installation standard)
	<b>Ordinateurs compatibles :</b> Ordinateurs Windows dotés de plusieurs ports USB libres
<b>Macintosh</b>	<b>Système d'exploitation :</b> Mac OS X 10.2.8 ~ 10.5 (installation standard)
	<b>Ordinateurs compatibles :</b> Ordinateurs Apple Macintosh dotés de plusieurs ports USB libres

Vous n'êtes pas couvert par le service de support technique si votre ordinateur a été mis à jour de Windows 95 ou 98 vers Windows 2000/XP/Vista. Toute défaillance survenant sur un ordinateur modifié par l'utilisateur n'est pas couverte par la garantie.

### Remarques :

- Ne débranchez JAMAIS le port USB alors que le témoin d'enregistrement/lecture clignote en rouge. Sinon, les données risquent d'être détruites.
- Pour plus d'informations sur le port USB ou le concentrateur USB de votre ordinateur, reportez-vous au mode d'emploi de ce dernier.
- Comme le bruit peut entraîner des effets indésirables sur les appareils électroniques situés à proximité de l'enregistreur, débranchez les écouteurs lorsque vous raccordez l'enregistreur à l'ordinateur.

## Précautions générales

Lisez attentivement ce mode d'emploi afin de pouvoir manipuler l'enregistreur d'une manière correcte et sûre. Conservez-le à un endroit aisément accessible pour toute consultation ultérieure.

- Les symboles d'avertissement indiquent des informations importantes liées à la sécurité. Pour vous protéger vous-même et les autres contre les blessures ou contre les dégâts matériels, il est essentiel que vous preniez toujours en compte les avertissements et informations fournis.

### Avertissement relatif à la perte de données :

- Le contenu enregistré en mémoire risque d'être détruit ou effacé suite à une erreur d'utilisation, à un dysfonctionnement de l'appareil ou lors d'une tâche de réparation.
- Il est recommandé de prendre note de tout contenu enregistré important ou d'en effectuer une sauvegarde en le téléchargeant sur un ordinateur.
- Toute responsabilité pour dommages passifs ou dommages de quelque nature que ce soit survenus à cause d'une perte de données causée par un défaut du produit, réparation effectuée par un tiers autre que Olympus ou un service agréé par Olympus, ou toute autre raison est exclue.

### Pour une utilisation sûre et correcte

- N'utilisez vos écouteurs qu'après avoir suffisamment réduit le volume, sinon vous risquez d'altérer votre ouïe et/ou d'avoir des problèmes d'ouïe.
- N'utilisez pas vos écouteurs avec un volume élevé pendant une période prolongée, sinon vous risquez d'altérer votre ouïe et/ou d'avoir des problèmes d'ouïe.
- N'oubliez pas d'arrêter l'enregistreur avant de remplacer les piles. Vous risquez d'endommager les fichiers si vous retirez les piles lorsque l'enregistreur est en cours d'utilisation.
- Ne laissez pas l'enregistreur dans un endroit chaud ou humide, comme dans une voiture fermée en plein soleil ou sur une plage en été.
- Ne rangez pas l'enregistreur dans un endroit trop exposé à l'humidité ou à la poussière.
- N'utilisez pas de solvant organique, tel que de l'alcool ou du diluant pour vernis, pour nettoyer l'appareil.
- Ne placez pas l'enregistreur sur ou près d'un autre appareil électrique, tel qu'un téléviseur ou un réfrigérateur.
- Évitez d'enregistrer ou de lire des données à proximité de téléphones cellulaires ou d'autres appareils électriques, car ils peuvent entraîner des interférences et du bruit. En cas de bruit, déplacez-vous vers un autre endroit ou éloignez l'enregistreur de ce type d'équipement.
- Évitez le sable ou la saleté. Ils peuvent causer des dommages irréparables.
- Évitez les vibrations ou chocs violents.
- Ne démontez pas, ne réparez pas et ne modifiez pas cet appareil vous-même.

- N'utilisez pas cet appareil pendant la conduite d'un véhicule (tel qu'une bicyclette, une motocyclette ou une poussette).
- Conservez l'appareil hors de portée des enfants.

### Piles

#### ⚠ Avertissement :

- N'insérez en aucun cas d'élément autre que l'unité principale dans le logement des piles. Cela risquerait d'entraîner une fuite des piles, une surchauffe, un incendie ou une explosion.
- Les piles ne doivent jamais être exposées à une flamme, chauffées, court-circuitées ou démontées.
- N'essayez pas de recharger des piles alcalines, au lithium ou d'autres piles non rechargeables.
- N'utilisez jamais une pile à couvercle extérieur éventré ou fissuré.
- Conservez les piles hors de portée des enfants.
- Si vous notez quelque chose d'inhabituel à l'utilisation de ce produit, par exemple un bruit anormal, de la chaleur, de la fumée ou une odeur de brûlé :
  - ① retirez immédiatement les piles en prenant garde de ne pas vous brûler, et
  - ② appelez votre revendeur ou le représentant Olympus local pour une révision.

## Spécifications

### Support d'enregistrement :

Build-in flash memory

### Fréquence générale

**VN-6500PC, VN-5500PC :**

Mode HQ : 200 à 13 000 Hz

Mode SQ : 200 à 7 000 Hz

Mode LP : 200 à 3 000 Hz

**VN-3500PC :**

Mode HQ : 200 à 13 000 Hz

Mode SQ : 200 à 7 000 Hz

Mode LP : 200 à 3 000 Hz

### Durée d'enregistrement :

**VN-6500PC, VN-5500PC : 512 Mo**

Mode HQ : Environ 35 heures  
20 minutes

Mode SP : Environ 69 heures  
35 minutes

Mode LP : Environ 221 heures  
30 minute

**VN-3500PC : 128 Mo**

Mode HQ : Environ 8 heures  
40 minutes

Mode SP : Environ 17 heures  
10 minutes

Mode LP : Environ 54 heures  
40 minute

- Les durées d'enregistrement mentionnées ci-dessus indiquent les durées après la suppression des données du mode d'emploi stockées dans l'enregistreur.
- Pour supprimer les données du mode d'emploi, connectez-vous à un ordinateur et supprimez ou formatez l'enregistreur. Pour de plus amples informations, consultez la section «**Formatage de l'enregistreur [Format]**».
- Avant de supprimer les données, créez un fichier de sauvegarde des données PDF du mode d'emploi.

#### Micro :

Micro condensateur à électret (mono)

#### Haut-parleur :

Haut-parleur dynamique rond intégré ø 23 mm

#### Puissance maximale :

250 mW

#### Puissance de sortie maximale du casque :

≤ 150 mW

(selon EN 50332-2)

#### Sortie écouteur large bande :

75 mV ≤ (selon EN50332-2)

#### Prise pour écouteurs (mono) :

ø 3,5 mm diamètre, impédance 8 Ω

#### Prise pour micro (mono) :

ø 3,5 mm diamètre, impédance 2 kΩ

#### Source d'alimentation :

Deux piles AAA (LR03) ou deux piles rechargeables Ni-MH

#### Durée d'utilisation continue des piles :

Piles alcalines :

Environ 37 heures

Piles rechargeables Ni-MH :

Environ 25 heures

#### Dimensions :

102 (L) mm x 37 (P) mm x 18,8 (H) mm

#### Poids : 64,8 g (avec les piles)

- La durée de vie des piles est mesurée par Olympus. Elle varie considérablement selon le type de piles utilisées et les conditions d'utilisation.
- Le contenu de vos enregistrements est uniquement destiné à votre usage ou loisir personnel. Il est interdit, d'après la loi sur les droits d'auteur, d'enregistrer des fichiers protégés sans la permission du propriétaire de ces droits.
- Les spécifications et la conception peuvent être modifiées sans préavis dans un but d'amélioration des performances.

## Accessoires (en option)

### Chargeur de piles rechargeables

Ni-MH : BU-400 (Europe uniquement)

### Piles rechargeables Ni-MH :

BR401

### Cordon de raccordement (prise

pour écouteurs ↔ prise pour

micro) : KA333

### Micro réducteur de bruit :

ME52

### Micro condensateur à électret

(mono) : ME15

Deux écouteurs mono : E20

Capteur téléphonique : TP7

Sangle de cou : ST26



L'indication «CE» signifie que ce produit est conforme aux exigences européennes concernant la sécurité, la santé, l'environnement et la protection du consommateur.



Ce symbole [poubelle sur roues barrée d'une croix WEEE annexe IV] indique une collecte séparée des déchets d'équipements électriques et électroniques dans les pays de l'UE. Veuillez ne

pas jeter l'équipement dans les ordures domestiques.

Pour la mise en rebut de ce produit, utilisez les systèmes de traitement et de collecte disponibles dans votre pays.

Produit concerné : VN-6500PC, VN-5500PC, VN-3500PC



Ce symbole [poubelle sur roues barrée d'une croix Directive 2006/66/CE, annexe II] indique une collecte séparée des piles usagées dans les pays de l'UE. Veuillez

ne pas jeter les piles dans les ordures domestiques. Pour la mise en rebut des piles usagées, utilisez les systèmes de traitement et de collecte disponibles dans votre pays.

## GR Εισαγωγή

- Το παρόν εγχειρίδιο αποτελεί βασική έκδοση. Ανατρέξτε στο πλήρες αναλυτικό εγχειρίδιο είτε από τα δεδομένα που είναι αποθηκευμένα στο φάκελο [OL\_MANUAL] της συσκευής ή κάντε λήψη των δεδομένων από την ιστοσελίδα της Olympus.
- Τα περιεχόμενα αυτού του εγγράφου ενδέχεται να αλλάξουν στο μέλλον χωρίς προειδοποίηση. Επικοινωνήστε με το Κέντρο υποστήριξης πελατών για τις πιο πρόσφατες πληροφορίες σχετικά με τα ονόματα προϊόντων και τους αριθμούς μοντέλων.
- Έχει καταβληθεί κάθε προσπάθεια προκειμένου να εξασφαλιστεί η πληρότητα των περιεχομένων αυτού του εγγράφου. Στην απίθανη περίπτωση κατά την οποία εντοπιστεί κάποιο αμφιλεγόμενο στοιχείο, σφάλμα ή παράλειψη, επικοινωνήστε με το Κέντρο υποστήριξης πελατών.
- Εξαιρείται κάθε ευθύνη για παθητική ζημία ή ζημία κάθε είδους που προέρχεται από την απώλεια δεδομένων που προκλήθηκε από ελάττωμα του προϊόντος, επισκευή που εκτελέστηκε από τρίτους, εκτός της Olympus ή εξουσιοδοτημένου κέντρου σέρβις της Olympus ή από άλλη αιτία.

### Εμπορικά σήματα και ονόματα κατατεθέντα:

- Τα Microsoft, Windows και Windows Media είναι ονόματα κατατεθέντα της Microsoft Corporation.
- Η ονομασία Macintosh είναι το εμπορικό σήμα της εταιρείας Apple Inc.



### Ασφαλής και σωστή χρήση

- Πριν χρησιμοποιήσετε το νέο σας καταγραφέα, διαβάστε το παρόν εγχειρίδιο προσεκτικά, ώστε να σιγουρευτείτε ότι γνωρίζετε πώς να τον χρησιμοποιήσετε σωστά και με ασφάλεια. Φυλάξτε το παρόν εγχειρίδιο σε ένα εύκολα προσβάσιμο σημείο, για μελλοντική αναφορά.
- Τα προειδοποιητικά σύμβολα δηλώνουν σημαντικές πληροφορίες που σχετίζονται με την ασφάλεια. Για να προστατέψετε τον εαυτό σας και τους άλλους από προσωπικό

τραυματισμό ή ζημία σε περιουσία, είναι απαραίτητο να διαβάσετε πάντα τις προειδοποιήσεις και τις πληροφορίες που παρέχονται.

## Αρχίζοντας

### Προσδιορισμός των εξαρτημάτων

- 1 Ενσωματωμένο μικρόφωνο
- 2 Υποδοχή MIC (μικροφώνου)
- 3 Διακόπτης HOLD
- 4 Ακροδέκτης USB
- 5 Κουμπί STOP (■)
- 6 Κουμπί PLAY/OK (▶)
- 7 Κουμπί ◀◀ (κίνηση προς τα πίσω)
- 8 Κάλυμμα μπαταρίας
- 9 Κουμπί FOLDER/INDEX
- 10 Υποδοχή EAR (ακουστικού)
- 11 Θόνη (LCD)
- 12 Ενδεικτική λυχνία εγγραφής/αναπαραγωγής
- 13 Κουμπί REC (●)
- 14 Κουμπί +
- 15 Κουμπί ▶▶ (γρήγορης κίνηση προς τα μπρος)
- 16 Κουμπί -
- 17 Κουμπί DISP/MENU
- 18 Κουμπί ERASE (●)
- 19 Οπή Λουριού

- Δεν συμπεριλαμβάνεται το λουρί. Χρησιμοποιήστε το προαιρετικό αξεσουάρ.

### Θόνη (LCD):

- 1 Ένδειξη φακέλου
- 2 [M] Ένδειξη ευαισθησίας μικροφώνου
- [X] Ένδειξη φίλτρου LowCut\*  
[VCA] Ένδειξη αυτοματισμού ενεργοποίησης με τη φωνή (Variable Control Voice Actuator)
- [HQ SP LP] Ένδειξη λειτουργίας εγγραφής
- [M] Ένδειξη γρήγορης αναπαραγωγής
- [S] Ένδειξη αργής αναπαραγωγής
- [C] Ένδειξη επανειλημμένης αναπαραγωγής τμήματος αρχείου\*

- 3 Ένδειξη οδηγού
- 4 Θόνη πληροφοριών χαρακτηρισμού Μέτρηση επιπέδου εγγραφής
- 5 Ένδειξη μπαταρίας

- 6 Ένδειξη κλειδώματος διαγραφής
- 7 Τρέχον αριθμός αρχείου

\* Για VN-6500PC μόνο.

### Τοποθέτηση μπαταριών (Εικ. 1)

- 1 Πίστετε ελαφρώς στο βέλος και σύρετε το κάλυμμα της μπαταρίας για να ανοίξει.
- 2 Τοποθετήστε δύο αλκαλικές μπαταρίες μεγέθους AAA, προσέχοντας τον προσανατολισμό των πόλων.
- 3 Κλείστε το κάλυμμα της μπαταρίας τελείως.
  - Όταν διακόπτης HOLD βρίσκεται στην καθεύθυνση του βέλους, η θόνη απενεργοποιείται από του εμφανιστεί η ένδειξη [HOLD]. Αγνοήστε αυτό το γεγονός και συνεχίστε στο επόμενο βήμα.

Για τον καταγραφέα μπορούν να χρησιμοποιηθούν προαιρετικές επαναφορτιζόμενες μπαταρίες Ni-MH (BR401) της Olympus.

### Αντικατάσταση των μπαταριών:

- Όταν η ένδειξη [C] εμφανίζεται στην θόνη, αντικαταστήστε τις μπαταρίες όσο το δυνατόν πιο σύντομα. Συνιστάται η χρήση αλκαλικών μπαταριών μεγέθους AAA. Όταν η μπαταρία εξαντληθεί, η ένδειξη [C] εμφανίζεται στην θόνη και ο καταγραφέας σβήνει.
- Για να αντικαταστήσετε την μπαταρία, φροντίστε να τοποθετήσετε το διακόπτη HOLD προς την αντίθετη κατεύθυνση του βέλους, πριν την αντικατάσταση.

### Τροφοδοσία (Εικ. 2)

#### Ενεργοποίηση:

Σύρετε το διακόπτη HOLD προς την αντίθετη κατεύθυνση από αυτή που δείχνει το βέλος.

#### Απενεργοποίηση:

Σύρετε το διακόπτη HOLD προς την κατεύθυνση που δείχνει το βέλος ενώ ο καταγραφέας δεν λειτουργεί.

#### Λειτουργία αναμονής και απενεργοποίηση της θόνης:

Ανο καταγραφές σταματάει για 5 λεπτά ή περισσότερο κατά την εγγραφή ή την αναπαραγωγή, εισέρχεται στη λειτουργία αναμονής (εξοικονόμηση ενέργειας) και η θόνη απενεργοποιείται. Για να βγείτε από τη λειτουργία αναμονής και να ενεργοποιήσετε την θόνη, πατήστε οποιοδήποτε κουμπί.

## Ρύθμιση ώρας και ημερομηνίας [Time & Date] (Εικ. 3)

Όταν τοποθετείτε μπαταρίες για πρώτη φορά κάθε φορά που αντικαθιστάτε τις μπαταρίες, η ένδειξη «Month» αναβοβλίνει. Στην περίπτωση αυτή, φροντίστε να ρυθμίσετε την ώρα και την ημερομηνία ακολουθώντας τα βήματα 4 έως 6 που περιγράφονται παρακάτω.

1 Πατήστε και κρατήστε πατημένο το κουμπί **DISP/MENU** επί 1 δευτερόλεπτο ή περισσότερο, για να μεταβείτε στο κύριο μενού.

2 Πατήστε το κουμπί **▶▶| ή |◀◀** για να επιλέξετε **[Sub Menu]**.

3 Πατήστε το κουμπί **PLAY/OK (▶)**.  
• Εμφανίζεται η ένδειξη **[Time & Date]** και **[◀◀OK▶▶]** αναβοβλίνει.

4 Πατήστε το κουμπί **▶▶| ή |◀◀** για να επιλέξετε το στοιχείο για ρύθμιση.  
• Επιλέξτε το στοιχείο που αναβοβλίνει από τις επιλογές «Month», «Day», «Year», «Hour» και «Minute».

5 Πατήστε το κουμπί **+ ή -** για να πραγματοποιήσετε τη ρύθμιση.  
• Ακολουθήστε τα ίδια βήματα πατώντας το κουμπί **▶▶| ή |◀◀** για να επιλέξετε το επόμενο στοιχείο και πατήστε το κουμπί **+ ή -** για ρύθμιση.

6 Πατήστε το κουμπί **PLAY/OK (▶)** για να ολοκληρώσετε τη διαδικασία της οθόνης ρύθμισης.  
• Το ρολόι θα ξεκινήσει από την καθορισμένη ημερομηνία και ώρα.  
• Πατήστε το κουμπί **PLAY/OK (▶)** σύμφωνα με την ένδειξη χρόνου

7 Πατήστε το κουμπί **STOP (■)** για να κλείσετε το μενού.

### Σημειώσεις σχετικά με τους φακέλους (Εικ. 4)

Στον καταγραφέα υπάρχουν πέντε φακέλοι, **[A]**, **[B]**, **[C]**, **[D]** και **[E]**. Για να αλλάξετε την επιλογή φακέλου, πατήστε το κουμπί **FOLDER/INDEX** όταν ο καταγραφέας είναι σταματημένος. Μέχρι και 200 αρχεία μπορούν να εγγραφούν σε κάθε φάκελο.

① Τρέχων φάκελος

## Εγγραφή (Εικ. 5)

1 Πατήστε το κουμπί **FOLDER/INDEX** για να επιλέξετε το φάκελο που επιθυμείτε.

2 Πατήστε το κουμπί **REC (●)** για να ξεκινήσει η εγγραφή.

• Η ενδεικτική λυχνία εγγραφής/αναπαραγωγής ανάβει κόκκινη και η εγγραφή ξεκινά.

3 Πατήστε το κουμπί **STOP (■)** για να σταματήσετε τη εγγραφή.

• Οινέες εγγραφές αποθηκεύονται στο τελευταίο αρχείο στο φάκελο.

- ① Τρέχων φάκελος
- ② Τρέχουσα λειτουργία εγγραφής
- ③ Τρέχων αριθμός αρχείου
- ④ Χρόνος εγγραφής
- ⑤ Υπολειπόμενος χρόνος εγγραφής
- ⑥ Μέτρηση επιπέδου εγγραφής

## Αναπαραγωγή (Εικ. 6)

1 Πατήστε το κουμπί **FOLDER/INDEX** για να επιλέξετε το φάκελο που επιθυμείτε.

2 Πατήστε το κουμπί **▶▶| ή |◀◀** για να επιλέξετε το αρχείο για αναπαραγωγή.

3 Πατήστε το κουμπί **PLAY/OK (▶)** για να ξεκινήσει η αναπαραγωγή.

• Η ενδεικτική λυχνία εγγραφής/αναπαραγωγής ανάβει πράσινη και στην οθόνη εμφανίζεται ο χρόνος αναπαραγωγής που παρήλθε.

4 Πατήστε το κουμπί **+ ή -** για να επιλέξετε το κατάλληλο επίπεδο έντασης του ήχου.

• Στην οθόνη εμφανίζεται η ένταση ήχου. Μπορείτε να επιλέξετε από **[00]** έως **[30]**.

- ① Τρέχων αριθμός αρχείου
- ② Χρόνος αναπαραγωγής

### Διακοπή: (Εικ. 7)

Πατήστε το κουμπί **STOP (■)**.

• Ο καταγραφέας σταματά στο ενδιάμεσο του αρχείου που αναπαράγεται.

## Διαγραφή

Διαγραφή ενός αρχείου τη φορά (Εικ. 8)

1 Πατήστε το κουμπί **FOLDER/INDEX** για να επιλέξετε φάκελο.

2 Πατήστε το κουμπί **▶▶| ή |◀◀** για να επιλέξετε το αρχείο για διαγραφή.

① Αρχείο για διαγραφή

3 Πατήστε το κουμπί **ERASE (●)**.

4 Πατήστε το κουμπί **▶▶|** για να επιλέξετε **[Start]**.

5 Πατήστε το κουμπί **PLAY/OK (▶)**.

Διαγραφή όλων των αρχείων από ένα φάκελο (Εικ. 9)

1 Πατήστε το κουμπί **FOLDER/INDEX** για να επιλέξετε το φάκελο για διαγραφή.

① Φάκελος για διαγραφή

2 Πατήστε δύο φορές το κουμπί **ERASE (●)**.

3 Πατήστε το κουμπί **▶▶|** για να επιλέξετε **[Start]**.

4 Πατήστε το κουμπί **PLAY/OK (▶)**.

Σημειώσεις:

• Δεν είναι δυνατό να ανακτηθεί ένα αρχείο που έχει διαγραφεί.

• Τα αρχεία στα οποία έχει ρυθμιστεί κλειδίωμα διαγραφής δεν διαγράφονται.

• Η ολοκλήρωση της διαγραφής μπορεί να διαρκέσει αρκετά δευτερόλεπτα. Μην επιχειρήσετε να αφαιρέσετε ή να αντικαταστήσετε τη μπαταρία και μην επιχειρήσετε καμία άλλη λειτουργία στον καταγραφέα αυτό το διάστημα, καθώς μπορεί να καταστραφούν τα δεδομένα.

## Άλλες λειτουργίες

Σύνδεση στον υπολογιστή σας (Εικ. 10)

Εκτός από τη χρήση αυτής της μονάδας ως συσκευής ηχογράφησης, μπορείτε να τη χρησιμοποιήσετε ως εξωτερική μνήμη για τον υπολογιστή σας, δηλαδή, ως συσκευή αποθήκευσης.

• Μπορείτε να εκτελέσετε αναπαραγωγή των αρχείων ήχου που ηχογραφήθηκαν από αυτόν τον καταγραφέα στον υπολογιστή σας χρησιμοποιώντας το Windows Media Player. Μπορείτε επίσης να μεταφέρετε τα αρχεία WMA που μεταφωτώσατε με το Windows Media Player στον καταγραφέα και να τα ακούσετε (εκτός από αρχεία με προστασία πνευματικών δικαιωμάτων).

1 Συνδέστε τον ακροδέκτη USB του καταγραφέα σε μια θύρα USB ή σε USB

## hub για υπολογιστή.

- Μόλις εμφανιστεί ένδειξη [Remote], μπορείτε να αποθηκεύσετε ή να αναγνώσετε τα δεδομένα.

## 2 Μεταφέρετε τα αρχεία ήχου στον υπολογιστή σας.

- Συνδέστε τον καταγραφέα στον υπολογιστή σας και εκτέλεστε τον Explorer.
- Ο καταγραφέας θα αναγνωριστεί ως αφαιρούμενος δίσκος.
- Κάθε ένας από τους πέντε φακέλους έχει ονομαστή ως DSS\_FLDA, B, C, D και E. Τα αρχεία ήχου αποθηκεύονται σε αυτούς τους φακέλους.
- Όλα τα αρχεία ήχου που εγγράφονται από αυτόν τον καταγραφέα θα είναι σε μορφή WMA.

Πηλαδιά:

VN-6500PC: VN\_650001.WMA  
VN-5500PC: VN\_550001.WMA  
VN-3500PC: VN\_350001.WMA

- Εάν χρησιμοποιείτε Windows 2000, το Windows Media Player πρέπει να εγκατασταθεί στον Η/Υ.

## 3 Κάντε κλικ στην επιλογή [ ] στη γραμμή εργασιών που βρίσκεται στην κάτω δεξιά γωνία της οθόνης. Κάντε κλικ στην επιλογή [Ασφαλής κατάργηση συσκευών υλικού].

- 1 Ακροδέκτης USB
- 2 Αποστολή των δεδομένων
- 3 Λήψη των δεδομένων

## Χρήση του καταγραφέα στον Η/Υ σας

Windows	<b>Λειτουργικό σύστημα:</b> Microsoft Windows 2000/XP/Vista (τυπική εγκατάσταση)
	<b>Συμβατοί υπολογιστές:</b> Υπολογιστές με Windows που διαθέτουν περισσότερες από μία ελεύθερες θύρες USB
Macintosh	<b>Λειτουργικό σύστημα:</b> Mac OS X 10.2.8 ~ 10.5 (τυπική εγκατάσταση)
	<b>Συμβατοί υπολογιστές:</b> Υπολογιστές Apple Macintosh που διαθέτουν περισσότερες από μία ελεύθερες θύρες USB

Η υπηρεσία υποστήριξης δεν σας καλύπτει αν ο υπολογιστής σας έχει αναβαθμιστεί από Windows 95 ή 98 σε Windows 2000/XP/Vista. Κάθε βλάβη σε τροποποιημένο Η/Υ από εσάς δεν καλύπτεται από την εγγύηση λειτουργίας.

### Σημειώσεις:

- ΠΟΤΕ μην αποσυνδέετε το USB όταν η ενδεικτική λυχνία εγγραφής/αναπαραγωγής αναβοσβήνει με κόκκινο χρώμα. Αν το κάνετε, τα δεδομένα ενδέχεται να καταστραφούν.
- Ανατρέξτε στο εγχειρίδιο του χρήστη για τον υπολογιστή σας σχετικά με την θύρα USB ή το USB hub του υπολογιστή σας.
- Καθώς ο θόρυβος μπορεί να έχει αρνητικές επιπτώσεις σε ηλεκτρονικές συσκευές κοντά στον καταγραφέα, αποσυνδέστε τα ακουστικά όταν συνδέετε τον καταγραφέα σε υπολογιστή.

## Γενικές προφυλάξεις

Διαβάστε αυτό το εγχειρίδιο προσεκτικά ώστε να μπορείτε να χειριστείτε τη συσκευή με ασφάλεια και ακριβεία. Φυλάξτε το παρόν εγχειρίδιο σε ένα εύκολο προσβάσιμο σημείο, για μελλοντική αναφορά.

• Τα προειδοποιητικά σύμβολα δηλώνουν σημαντικές πληροφορίες που σχετίζονται με την ασφάλεια. Για να προστατέψετε τον εαυτό σας και τους άλλους από προσωπικά τραυματισμό ή ζημιά σε περιουσία, είναι απαραίτητο να διαβάσετε πάντα τις προειδοποιήσεις και τις πληροφορίες που παρέχονται.

### Προειδοποίηση σχετικά με την απώλεια δεδομένων:

- Το καταγεγραμμένο περιεχόμενο στη μνήμη μπορεί να καταστραφεί ή να σβηστεί εξαιτίας σφαλμάτων στη λειτουργία, δυσλειτουργίας της μονάδας ή κατά τη διάρκεια εργασιών επισκευής.
- Για σημαντικό καταγεγραμμένο περιεχόμενο, συνιστάται η εγγραφή του σε κάποιο μέσο ή η δημιουργία αντιγράφου ασφαλείας με τη μεταφόρτωσή του σε Η/Υ.
- Οποιαδήποτε ευθύνη για παθητικές ζημιές ή ζημιές οποιουδήποτε είδους που έχουν προκύψει εξαιτίας απώλειας δεδομένων, λόγω ελαττώματος του προϊόντος, ή της επισκευής που πραγματοποιήθηκε από τρίτο μέρος πέραν από την Olympus ή από εξουσιοδοτημένο σημείο εξυπηρέτησης

της Olympus, ή για οποιονδήποτε άλλο λόγο, δεν συμπεριλαμβάνεται στις ευθύνες της Olympus.

## Ασφαλής και σωστή χρήση

- Χρησιμοποιήστε τα ακουστικά μόνο αφού μειώσετε την ένταση των ακουστικών, διαφορετικά ενδέχεται να προκληθεί βλάβη της ακοής ή/και διαταραχές της ακοής.
- Μην χρησιμοποιείτε τα ακουστικά σε υψηλή ένταση για μεγάλο χρονικό διάστημα, καθώς ενδέχεται να προκληθεί βλάβη της ακοής ή/και διαταραχές της ακοής.
- Βεβαιωθείτε πρώτα απενεργοποιήσιτε τη συσκευή προτού αντικαταστήσετε τις μπαταρίες. Η αφαίρεση των μπαταριών ενώ χρησιμοποιείται η συσκευή μπορεί να καταστρέψει το αρχείο.
- Μην αφήνετε τον καταγραφέα σε ζεστά, υγρά μέρη, όπως μέσα σε ένα κλειστό αυτοκίνητο σε άμεση επαφή με το ηλιακό φως ή στην παραλία το καλοκαίρι.
- Μην αποθηκεύετε τον καταγραφέα σε μέρη όπου εκτίθεται σε υπερβολική υγρασία ή σκόνη.
- Μην χρησιμοποιείτε οργανικά διαλυτικά, όπως οινόπνευμα ή διαλυτικό λούστρου για να καθαρίσετε τη μονάδα.
- Μην τοποθετούν τον καταγραφέα πάνω ή κοντά σε ηλεκτρικές συσκευές, όπως τηλεοράσεις ή ψυγεία.
- Αποφύγετε την εγγραφή ή την αναπαραγωγή κοντά σε κινητά τηλέφωνα ή άλλο σύρματο εξοπλισμό, καθώς μπορούν να προκαλέσουν παρεμβολές και θόρυβο. Αν παρατηρήσετε θόρυβο, μετακινήστε σε άλλο μέρος, ή απομακρύνετε τον καταγραφέα μακριά από αυτόν τον εξοπλισμό.
- Αποφύγετε την άμμο ή τη σκόνη. Μπορούν να προκαλέσουν ανεπανόρθωτες φθορές.
- Αποφύγετε τις ισχυρές δονήσεις ή κρούσεις.
- Μην αποσυναρμολογείτε, επισκευάζετε ή τροποποιείτε τη μονάδα μόνοι σας.
- Μη λειτουργείτε τη μονάδα ενώ οδηγείτε κάποιο όχημα (όπως ποδήλατο, μηχανάκι ή καρτ).
- Κρατήστε τη μονάδα μακριά από τα παιδιά.



## Μπαταρία

### Προειδοποίηση:

- Σε καμία περίπτωση μην τοποθετήσετε κάποιο άλλο εξάρτημα εκτός από την κύρια μονάδα στο διαμέρισμα της μπαταρίας. Ενδέχεται να προκληθεί διαρροή της μπαταρίας, υπερθέρμανση, πυρκαγιά ή έκρηξη.
- Η μπαταρία δεν πρέπει να εκτίθεται ποτέ σε φλόγες, ναθερμαίνεται, να ραγισκुकκλώνεται ή να αποσυνορμολογείται.
- Μην προσπαθείτε να επαναφορτίσετε κάποια αλκαλική, λιθίου ή οποιαδήποτε άλλη μη επαναφορτιζόμενη μπαταρία.
- Ποτέ μην χρησιμοποιείτε μια μπαταρία με σχισμένο ή ραγισμένο εξωτερικό κάλυμμα.
- Κρατήστε την μπαταρία μακριά από τα παιδιά.
- Αν παρατηρήσετε οτιδήποτε ασυνήθιστο όταν χρησιμοποιείτε αυτό το προϊόν, όπως μη φυσιολογικό θόρυβο, θερμότητα, καπνό ή μυρωδιά καμένου:
  - αφαιρέστε τη μπαταρία αμέσως, προέχοντας να μην καίτε και
  - επικοινωνήστε με το κατάστημα ή την τοπική αντιπροσωπεία της Olympus για σέρβις.

## Τεχνικά χαρακτηριστικά

### Μέσο εγγραφής:

Ενωματωμένη μνήμη flash

### Συνολική συχνότητα:

**VN-6500PC, VN-5500PC:**

Λειτουργία HQ: 200 έως 13.000 Hz

Λειτουργία SQ: 200 έως 7.000 Hz

Λειτουργία LP: 200 έως 3.000 Hz

**VN-3500PC:**

Λειτουργία HQ: 200 έως 13.000 Hz

Λειτουργία SQ: 200 έως 7.000 Hz

Λειτουργία LP: 200 έως 3.000 Hz

### Χρόνος εγγραφής:

**VN-6500PC, VN-5500PC: 512 MB**

Λειτουργία HQ: Περίπου 35 ώρες και 20 λεπτά

Λειτουργία SP: Περίπου 69 ώρες και 35 λεπτά

Λειτουργία LP: Περίπου 221 ώρες και 30 λεπτά

**VN-3500PC: 128 MB**

Λειτουργία HQ: Περίπου 8 ώρες και 40 λεπτά

Λειτουργία SP: Περίπου 17 ώρες και 10 λεπτά

Λειτουργία LP: Περίπου 54 ώρες και 40 λεπτά

- Οι χρόνοι εγγραφής που αναφέρονται παραπάνω υποδηλώνουν τους χρόνους μετά τη διαγραφή των δεδομένων εγχειριδίου που ήταν αποθηκευμένα στον καταγραφέα.
- Τα δεδομένα εγχειριδίου μπορούν να διαγραφούν μέσω σύνδεσης με ηλεκτρονικό υπολογιστή και με διαγραφή ή διαμόρφωση του καταγραφέα. Για λεπτομέρειες, ανατρέξτε στην ενότητα «**Formatting the Recorder [Format]**».
- Πριν διαγράψετε τα δεδομένα, δημιουργήστε ένα αντίγραφο ασφαλείας των δεδομένων του αρχείου PDF του εγχειριδίου.

### Μικρόφωνο:

Πυκνωτικό μικρόφωνο ηλεκτρίτη (μονοφωνικό)

### Μεγάλφωνο:

Ενωματωμένο κυκλικό δυναμικό μεγάλφωνο  $\varnothing$  23 mm

### Μείγνιση ισχύος:

250 mW

### Μείγνιση εξόδου ακουστικών:

$\leq$  150 mW

(σύμφωνα με το πρότυπο EN 50332-2)

### Υποδοχή ακουστικού (μονοφωνικό):

διάμετρος  $\varnothing$  3,5 mm, αντίσταση 8  $\Omega$

### Υποδοχή μικροφώνου (μονοφωνικό):

διάμετρος  $\varnothing$  3,5 mm, αντίσταση 2 k $\Omega$

### Παροχή ενέργειας:

Δύο μπαταρίες AAA (LR03) ή δύο επαναφορτιζόμενες μπαταρίες Ni-MH

### Χρόνος συνεχούς χρήσης μπαταριών:

Αλκαλικές μπαταρίες:

Περίπου 37 ώρες

Επαναφορτιζόμενες μπαταρίες Ni-MH:

Περίπου 25 ώρες

### Διαστάσεις:

102 (L) mm x 37 (W) mm x 18,8 (T) mm

(χωρίς προεξοχές)

### Βάρος:

64,8 g (με την μπαταρία)

- Η διάρκεια ζωής της μπαταρίας έχει μετρηθεί από την Olympus. Μπορεί να διαφέρει σημαντικά, ανάλογα με τον τύπο των μπαταριών που χρησιμοποιούνται και τις συνθήκες χρήσης.
- Το ηχογραφημένο περιεχόμενο προορίζεται αποκλειστικά για προσωπική σας χρήση. Απαγορεύεται η ηχογράφηση υλικού που προστατεύεται από πνευματικά δικαιώματα χωρίς την άδεια των κατόχων των δικαιωμάτων, σύμφωνα με τη νομοθεσία περί πνευματικών δικαιωμάτων.

- Τα τεχνικά χαρακτηριστικά και η σχεδίαση υπόκεινται σε αλλαγές χωρίς προειδοποίηση για βελτίωση της επίδοσης.

## Αξεσουάρ (προαιρετικά)

**Φορτιστής επαναφορτιζόμενης μπαταρίας Ni-MH:** BU-400

(Μόνο για την Ευρώπη)

**Επαναφορτιζόμενη μπαταρία Ni-MH:** BR401

**Καλώδιο σύνδεσης (Υποδοχή ακουστικών) → Υποδοχή μικροφώνου):** KA333

**Μικρόφωνο εξουδετέρωσης θορύβου:** ME52

**Πυκνωτικό μικρόφωνο ηλεκτρίτη:** ME15

**Διπλό μονοφωνικό ακουστικό:** E20

**Μικρόφωνο τηλεφώνου:** TP7

**Λουρί λαιμού:** ST26



Η ένδειξη «CE» σημαίνει ότι το παρόν προϊόν είναι σύμφωνα με τις ευρωπαϊκές προδιαγραφές για την ασφάλεια, την υγεία, το περιβάλλον και την προστασία του καταναλωτή.



Το σύμβολο αυτό [διαγραμμένος κάδος απορριμμάτων WEEE παράρτημα IV] υποδεικνύει ότι απαιτείται ξεχωριστή συλλογή ηλεκτρικών και ηλεκτρονικών απορριμμάτων στις χώρες της Ε.Ε. Παρακαλούμε μην πετάτε τον εξοπλισμό μαζί με τα οικιακά σας απορρίμματα.



Παρακαλούμε χρησιμοποιήστε τα συστήματα επιστροφής και συλλογής που διατίθενται στη χώρα σας για την απόρριψη αυτού του προϊόντος.

Σχετικό προϊόν: VN-6500PC, VN-5500PC, VN-3500PC



Το σύμβολο αυτό [διαγραμμένος κάδος απορριμμάτων Οδηγία 2006/66/EK παράρτημα II] υποδεικνύει ότι απαιτείται ξεχωριστή συλλογή

των μπαταριών στις χώρες της Ε.Ε. Παρακαλούμε μην πετάτε τις μπαταρίες μαζί με τα οικιακά σας απορρίμματα. Παρακαλούμε χρησιμοποιήστε τα συστήματα επιστροφής και συλλογής που διατίθενται στη χώρα σας για την απόρριψη των μπαταριών.



הסימן "CE" מציין שמוצר זה תואם לדרישות האירופאיות עבור בטיחות, בריאות, סביבה והגנה על הלקוח.



סמל זה [מיכל אשפה ועליו 'איקס' WEEE Annex IV] מציין איסוף נפרד של ציוד חשמלי ואלקטרוני למיחזור במדינות האיחוד האירופי.



אין להשליך את הציוד ביחד עם האשפה הביתית. לצורך מיחזור מוצר זה, אנא השתמש במערכות ההחזרה והאיסוף הזמינות במדינה שלך.

מוצר ישיים: VN-6500PC, VN-5500PC, VN-3500PC



סמל זה [מיכל אשפה ועליו 'איקס' Directive 2006/66/EC Annex II] מציין איסוף נפרד של סוללות משמשות במדינות האיחוד האירופי. אין להשליך את

הסוללות ביחד עם האשפה הביתית. לצורך מיחזור הסוללות המשמשות, אנא השתמש במערכות ההחזרה והאיסוף הזמינות במדינה שלך.

## מיקרופון:

מיקרופון קונדנסר Electret (מונו)

## רמקול:

רמקול דינמי עגול מוכלל  $\varnothing$  23 מ"מ

## עוצמה מירבית:

250 mW

## פלט אוזנייה מרבי:

$\leq 150$  mV

(בהתאם EN 50332-2)

## שקע אוזנייה (מונו):

קוטר  $\varnothing$  3.5 mm, עכבה  $\Omega$  8

## שקע מיקרופון (מונו):

קוטר  $\varnothing$  3.5 mm, עכבה  $k\Omega$  2

## אספקת חשמל:

שתי סוללות AAA (LR03) או שתי סוללות MH-Ni נטענות

## סוללות לשימוש ממושך:

סוללות אלקליין: 37 שעות בקירוב

סוללות Ni-MH נטענות: 25 שעות

## במקרים:

(ע) 18.8 x (ר) 37 x (א) 102 מ"מ

(ללא בליטות)

## משקל:

64.8 גר' (כולל סוללה)

• משך חיי הסוללות נמדד על-ידי Olympus. הבהדלים גדולים ייתכנו בהתאם לסוג הסוללות בהן נעשה שימוש וכן תנאי השימוש.

• התוכן מוקלט להנאתך ולשימושך הפרטי בלבד. אסור להקליט חומר המוגן בזכויות יוצרים ללא קבלת רשות מבעליהן, וזאת בהתאם לחוקים הנוגעים לזכויות יוצרים.

• המפרטים והעיצוב נתונים לשינויים ללא הודעה מראש לצורך שיפור הביצועים.

## אביזרים (אופציונלי)

סוללת Ni-MH נטענת: BU-400

(אירופה בלבד)

סוללת Ni-MH נטענת: BR401

כבל חיבור (שקע אוזנייה ↔ שקע מיקרופון): KA333

מיקרופון מבטל רעש: ME52

מיקרופון קונדנסר: ME15

אוזנייה מונו כפולה: E20

מזכיר להקלטת שיחות טלפון: TP7

רצועה לצוואר: ST26

## ⚠️ אזהרה:

- לעולם אין לשרוף, לחמם או לקצר סוללות.
- אין לנסות להטעין מחדש סוללות אלקליין, ליתיום או סוללות לא טענות אחרות.
- אין להשתמש בסוללות שהכיסוי החיצוני שלהן קרוע או סדוק.
- הרחק סוללות ממישג ידם של ילדים.
- אם בעת שימוש במוצר אתה נתקל בתופעות רחילות, כגון רעש מוזר, חום, עשן או ריח שרוף:
- ① הוצא את הסוללות מיד והיזהר מפני כוויה;
- ② פנה לטכנאי או לנציג מקומי של Olympus לקבלת שירות.

## מפרטים

## מדיום הקלטה:

זיכרון פלאש פנימי

## תדר כולל:

:VN-6500PC, VN-5500PC

מזב HQ: 200 עד 7,000 Hz

מזב SQ: 200 עד 7,000 Hz

מזב LP: 200 עד 3,000 Hz

:VN-3500PC

מזב HQ: 200 עד 7,000 Hz

מזב SQ: 200 עד 7,000 Hz

מזב LP: 200 עד 3,000 Hz

## זמן הקלטה:

VN-6500PC, VN-5500PC: 512 MB

מזב HQ: 35 שעות 20 דקות בקירוב

מזב SP: 69 שעות 35 דקות בקירוב

מזב LP: 221 שעות 30 דקות בקירוב

VN-3500PC: 128 MB

מזב HQ: 8 שעות 40 דקות בקירוב

מזב SP: 17 שעות 10 דקות בקירוב

מזב LP: 54 שעות 40 דקות בקירוב

• זמני ההקלטה שפורטו לעיל

• מתייחסים לזמנים לאחר מחיקת נתוני המדריך המאוחסנים בטייפ.

• ניתן למחוק את נתוני המדריך על-

• ידי התחברות למחשב ומחיקתם

• או על-ידי אתחול הטייפ. לקבלת

פרטים עייני בסעיף "אתחול הטייפ

[Format]"

• לפני שתמחוק את הנתונים, אנא

שמור קובץ גיבוי של הנתונים

בפורמט PDF שבמדריך.

• תוכן מוקלט בזיכרון עלול להיגנב או להימחק כתוצאה מטעויות הפעלה, תקלה במכשיר או במהלך תיקון.

• כשמדובר בתוכן מוקלט חשוב, מומלץ לכתוב אותו במקום כלשהו או לבצע גיבוי על-ידי הורדה למחשב.

• Olympus אינה אחראית על נזקים כסילים או נזקים כלשהם כתוצאה מאבדן נתונים בשל פגם במכשיר, תיקון שנעשה בידי הצד השלישי שאינו Olympus או מרכז שירות מורשה של Olympus או מכל סיבה אחרת.

## שימוש בטוח ונאות

• השתמש באוזניות רק לאחר הנמכה במידה מספקת של עוצמת הקול של האוזניות, אחרת יכולת השמיעה עלולה להיחלש /או להיפגע.

• אל תשתמש באוזנייה בעוצמת קול גבוהה למשך פרק זמן ארוך, מכיוון שיכולת השמיעה עלולה להיחלש ו/או להיפגע.

• הקפד לעצור את ההקלטה לפני החלפת הסוללות. פריקת הסוללות בעת שימוש במקלטי עלולה להזיק לקובץ.

• אין להשאיר את הטייפ במקומות חמים ולחים, כמו למשל בתוך מכונת סגורה בשמש או בשפת הים בקיץ.

• אין לאחסן את הטייפ במקומות החשופים לכמות גבוהה של לחות או אבק.

• אין לנקות את המכשיר באמצעות חומרים ממיסים, כגון אלכוהול או מדלל לכה.

• אין להניח את הטייפ מעל או בסמוך למכשיר חשמל, כגון מכשיר טלוויזיה או מקררים.

• הימנע מהקלטה או מהשמעה בסמוך לסלפונים ניידים או לצידוד אלחוטי אחר מחשב לגרימת הפרעות ורעש. אם אתה שומע רעשים עבור למקום אחר או הרחק את הטייפ מצידוד כזה.

• הימנע מחשיפה לאבק או לכלוך. הם עלולים לגרום לנזק בלתי הפיך.

• הימנע מטלטולים או זעזועים חזקים. אל תפרק את המכשיר ואל תנסה לתקן או לשנות אותו בעצמך.

• אל תפעיל את המכשיר בעת נהיגה בכלי רכב (כגון אופניים, אופנוע או קארטינג).

• הרחק את המכשיר ממישג ידם של ילדים.

Windows	מערכת הפעלה: Microsoft Windows 2000/XP/Vista (התקנה רגילה)
	מחשבים וטאבים: מחשבי Windows המצוידים ביותר מציאת USB אחת port
Macintosh	מערכת הפעלה: Mac OS X 10.2.8 ~ 10.5 (התקנה רגילה)
	מחשבים וטאבים: מחשבים מסדרת Apple Macintosh המצוידים ביותר מציאת USB אחת

שירות התמיכה לא נותן כיסוי למחשבים בהם בוצע עדכון Windows 95- Windows 98 לתוכנת Windows 2000/XP/Vista. האחריות התפעולית לא תכסה אף כשל במחשב שנעשה בו שינויים באופן עצמאי.

## הערות:

- אף פעם אל תנתק את ה-USB כאשר נורית החיווי ההקלטה/השמעה מהבהבת בצבע אדום. פעולה זו עלולה לגרום לאיבוד נתונים.
- עיין במדריך למשתמש של המחשב בנוגע לציאת ה-USB או לרכזה ה-USB במחשב.
- מכיוון שהרעש עלול לגרום להשפעות שליליות על מכשירים אלקטרוניים הממוכים לטייפ, נתק את האוזנייה בעת חיבור הטייפ למחשב.

## אמצעי זהירות כלליים

קרא בעיון מדריך זה כדי לוודא שאתה יודע כיצד להפעיל אותו באופן בטוח ונאות. שמור מדריך זה בהישג יד לצורך עיון בעתיד.

- סימני האזהרה מצביעים על מידע חשוב הנוגע לבטיחות. כדי להגן על עצמך ועל אחרים מפני פגיעה גופנית או נזק לרכוש, המיעד לקרוא תמיד את האזהרות ואת המיעד שניתן.

- השלמת המחיקה עשויה להימשך מספר שניות. בפרק זמן זה אל תנסה להסיר או להחליף סוללה, או להפעיל פונקציות אחרות בטייפ, מאחר שהנתונים עלולים להינזק.

## פונקציות אחרות

### חיבור למחשב (איור 10)

- בנוסף לשימוש במכשיר זה כטייפ תוכל להשתמש בו גם כזיכרון חיצוני של המחשב, כהתקן אחסון.
- קובצי השמע שהוקלטו בטייפ תוכל לנגן במחשב באמצעות Windows Media Player. להנאתך, תוכל גם להעביר את קובצי ה-WMA והורדו בעזרת Windows Media Player לטייפ שלך (למעט קבצים המוגנים בזכויות יוצרים).

### 1 חבר את יציאת ה-USB של הטייפ ליציאת USB במחשב או לרזת USB.

- שלאחר שיוצג הכיתוב [Remote] (מרוחק), תוכל לשמור את הנתונים או לקרוא אותם.

### 2 העברת קובצי שמע למחשב.

- חבר את הטייפ למחשב והפעל את Explorer.
  - הטייפ יזוהה כדיסק נשלף.
  - כל אחת מחמשת התיקיות נקראת בשם D, C, B, A, E-DSS\_FLDA.
  - קובצי השמע שנשמרים בתיקיות אלו.
  - לכל קובצי השמע המוקלטים בטייפ זה פורמט WMA.
- כלומר:  
 VN-6500PC: VN\_650001.WMA  
 VN-5500PC: VN\_550001.WMA  
 VN-3500PC: VN\_350001.WMA
- אם אתה משתמש ב-Windows 2000, במחשב חייב להיות מותקן Windows Media Player.

### 3 לחץ על [E] בשורת המשימות שנמצאת בפינה השמאלית להתחונת של המסך. לחץ על [הסרת חומרה באופן בטוח].

- 1 USB חיבור
- 2 שליחת הנתונים
- 3 בקלת הנתונים

## השמעה (איור 6)

### 1 לחץ על FOLDER/INDEX כדי לבחור בתיקייה הרצויה.

### 2 לחץ על לחצן >>> או <<<< כדי לבחור את הקובץ להשמעה.

### 3 לחץ על לחצן PLAY/OK (▶) כדי להתחיל בהשמעה.

- נורית החיווי להקלטה/השמעה דולקת בצבע ירוק וזמן ההשמעה שחלק מופיע בצג.

### 4 לחץ על לחצן >>> או <<<< כדי לבחור בעוצמת הקול המתאימה.

- בצג תופיע עוצמת הקול. ניתן לבחור בין 0 [00] ו-30 [30].
- 1 מספר הקובץ הנוכחי
- 2 זמן ההשמעה

### עצירה: (איור 7)

### לחץ על לחצן STOP (■).

- הטייפ עוצר באמצע הקובץ המנוגן.

## מחיקה

### מחיקת קובץ אחר קובץ (איור 8)

### 1 לחץ על לחצן FOLDER/INDEX כדי לבחור בתיקייה.

### 2 לחץ על לחצן >>> או <<<< כדי לבחור את הקובץ למחיקה.

- 1 קובץ למחיקה

### 3 לחץ על לחצן ERASE (●).

### 4 לחץ על לחצן >>> כדי לבחור [Start].

### 5 לחץ על לחצן PLAY/OK (▶).

### מחיקת כל הקבצים בתיקייה (איור 9)

### 1 לחץ על לחצן FOLDER/INDEX כדי לבחור בתיקייה למחיקה.

- 1 תיקייה למחיקה

### 2 לחץ על לחצן ERASE (●) פעמיים.

### 3 לחץ על לחצן >>> כדי לבחור [Start].

### 4 לחץ על לחצן PLAY/OK (▶).

- הערות:
- אין אפשרות לשחזר קובץ שנמחק.
- קבצי השוגדרו לנעילה מפני מחיקה לא יימחקו.

### 3 לחץ על לחצן PLAY/OK (▶).

- הכיתוב [Time & Date] מופיע בצג <<<<▶▶▶▶]. מהבבא.

### 4 לחץ על לחצן >>> או <<<< כדי לבחור את הפרט להגדרה.

- בחר את הפרט שמתוך "Year", "Month", "Day", "Hour", ו-"Minute" בעזרת נקודה מהבבא.

### 5 לחץ על לחצן >>> או <<<< כדי להגדיר.

- בצע את אותן פעולות על-ידי לחיצה על לחצן >>> או <<<< כדי לבחור את הפרט הבא ולחץ על לחצן >>> או <<<< כדי להגדיר.

### 6 לחץ על לחצן PLAY/OK (▶) כדי להשלים את מסך ההגדרה.

- השעון יתחיל לפעול מהתאריך והשעה שהוגדרו.
- לחץ על לחצן PLAY/OK (▶) בהתאם לאות השעה

### 7 לחץ על לחצן menu mode-STOP (■) כדי לצאת מ-menu mode.

### הערות על תיקיות (איור 4)

- בטייפ חמש תיקיות: [E], [D], [C], [B], [A].
- כתישנות את בחירת התיקיות, לחץ על לחצן FOLDER/INDEX כשהטייפ במצב עצירה. בכל תיקייה ניתן לשמור עד 200 קבצים.
- 1 התיקייה הנוכחית

## הקלטה (איור 5)

### 1 לחץ על לחצן FOLDER/INDEX כדי להתחיל בהקלטה.

### 2 לחץ על לחצן REC (●) כדי להתחיל בהקלטה.

- נורית החיווי להקלטה/השמעה דולקת בצבע אדום וההקלטה מתחילה.

### 3 לחץ על לחצן STOP (■) כדי להפסיק את ההקלטה.

- ההקלטות החדשות נשמרות כקובץ האחרון בתיקייה.
- 1 תיקייה נוכחית
- 2 מצב ההקלטה הנוכחית
- 3 מספר הקובץ הנוכחי
- 4 זמן הקלטה
- 5 זמן הקלטה שנותר
- 6 מד עוצמת הקלטה

1 לחץ לחיצה קלה כלפי מטה על החץ והסו את מכסה הסוללה לפתיחתו.

2 הכנס שתי סוללות אלקליין בגודל AAA תוך הקפדה על קוטביות המתאימה.

3 סגור את מכסה הסוללה היטב.

- כאשר המתג HOLD נמצא בכיוון החץ, התצוגה תכבה לאחר הופעה של [HOLD] בתצוגה. אל תיתוסס לכך והמשך לשלב הבא.

ניתן להשתמש עם הטייפ בסוללה אופציבונלית מסוג Ni-MH הניתנת לשינוי חוזרת (BR401) מבית Olympus.

#### החלפת הסוללות:

- כשיופיע הכיבוי [OFF] בתצוגה, החלף את הסוללות בהקדם האפשרי. מומלץ להשתמש בסוללות אלקליין בגודל AAA. לאחר שהסוללות יתרוקנו יופיע בתצוגה הכיבוי [OFF] והטייפ יכבה.
- כדי להחליף את הסוללה, ודא שהעברת את המתג HOLD לכיוון הנגדי לחץ בטרם תהחלפה.

#### **אספקת חשמל (איר 2)**

##### הפעלה:

הסו את המתג HOLD בכיוון ההפוך לכיוון החץ.

##### כיבוי:

הסו את המתג HOLD בכיוון החץ כאשר הטייפ אינו בפעולה.

##### מצב המתנה וכיבוי הצג:

כאשר פעולת הטייפ נעצרת למשך 5 דקות או יותר במהלך הקלטה או השמעה, הטייפ נכנס למצב המתנה (תיסכון בחשמל) והצג כבה. כדי יצאת ממצב המתנה ולהפעיל את הצג לחץ לחצן כלשהו.

#### **כיוון תאריך ושעה [Time & Date] (איר 3)**

כשתתקין סוללות בפעם הראשונה, או בכל פעם שתחליף סוללות, המחונן "Month" יבהב. במקרה כזה ודא שהגדרת את השעה והתאריך על-ידי ביצוע השלבים 4 עד 6 המתוארים בהמשך.

1 לחץ לחיצה ממושכת על לחצן **DISP/MENU**, למשך שנייה אחת או יותר, כדי לעבור אל התפריט הראשי.

2 לחץ על לחצן **▶▶** או **◀◀** כדי לבחור [Sub Menu].

#### **זיהוי החלקים**

- 1 מיקרופון מובנה
  - 2 מתג MIC (מיקרופון)
  - 3 HOLD
  - 4 חיבור USB
  - 5 לחצן **STOP** (■)
  - 6 לחצן **PLAY/OK** (▶)
  - 7 לחצן **◀◀** (הרצה לאחור)
  - 8 מכסה סוללה
  - 9 לחצן **FOLDER/INDEX**
  - 10 מתג **EAR** (אוזניה)
  - 11 חצן תצוגה (LCD)
  - 12 נורית חייווי הקלטה/השמעה
  - 13 לחצן **REC** (●)
  - 14 לחצן **+**
  - 15 לחצן **▶▶** (הרצה קדימה)
  - 16 לחצן **-**
  - 17 לחצן **DISP/MENU**
  - 18 לחצן **ERASE** (●)
  - 19 חריץ לרצועה
- הרצועה לא כלולה. השתמש באביזר לבחירתך.

#### מסך תצוגה (LCD):

- 1 מחונן תיקייה
- 2 [HOLD] מחונן רגישות המיקרופון \* LowCut
- 3 [MUTE] מחונן **Voice Actuator Variable Control**
- 4 [HQ SP LP] מחונן מצב הקלטה
- 5 [▶] מחונן השמעה מהירה
- 6 [▶] מחונן השמעה איטית
- 7 [C] מחונן השמעה חוזרת של קטע \*

#### 3 מחונן תיקייה

#### 4 תצוגת פרטי תווים

#### מד עוצמת הקלטה

#### 5 מחונן סוללה

#### 6 מחונן נעילת מחיקה

#### 7 מספר הקובץ הנוכחי

\* בדגם VN-6500PC בלבד.

• מדריך זה הינו גירסה בסיסית. עיין במדריך המתקדם המלא הנמצא בתווים המאוחסנים בתיקייה [OL\_MANUAL] של המקליט או הורד את הנתונים מאתר האינטרנט של OLYMPUS.

• התכנים של מסמך זה עשויים להשתנות בעתיד ללא הודעה מראש. לקבלת המידע העדכני במוגע לשמות מוצרים ולמספרי דגמים, פנה למוקד התמיכה בלקוחות.

• שים לב לתפריט הוקדשה להבטחת שלמות התכנים של מסמך זה. במקרה הלא סביר שנמצאו פרטי לא ברור, שגיאה או השמטה, אנא פנה למוקד התמיכה בלקוחות.

• כל אחריות על נזקים סבילים או נזקים כלשהם נתוצאה מאבדן תנויה בשל פגם במכשיר, תיקון שנעשה בידי הצד השלישי שאינו Olympus מרכז שירות מורשה של Olympus או מכל סיבה אחרת.

#### **סימני מסחר וסימני מסחר רשומים:**

- Windows ו-Microsoft Media הם סימני מסחר רשומים של Microsoft Corporation.
- Macintosh הוא סימן מסחר של Apple Inc.
- שמות של מוצרים ומותגים אחרים המוזכרים במסמך זה עשויים להיות סימני מסחר או סימני מסחר רשומים על בעליהם המתאימים.



#### **שימוש בטוח ונאות**

לפני תחילת השימוש בטייפ, קרא בעיון מדריך זה כדי לוודא שאתה יודע כיצד להפעיל אותו בנאות וטוח ונאות.

• סימני האזהרה מצביעים על מידע חשוב הנוגע לבטיחות. כדי להגן על עצמך ועל אחרים מפני פגיעה גופנית או נזק לרכוש, עלך לקרוא תמיד את האזהרות ואת המידע שניתן.

- Ovo je osnovna verzija priručnika. Pogledajte potpuni napredni priručnik iz pohranjenih podataka u mapi **[OL\_MANUAL]** snimača ili preuzmite podatke sa web-mjesta OLYMPUS.
- Sadržaj ovog dokumenta može se ubuduće promijeniti bez prethodne obavijesti. Za najnovije informacije o nazivima proizvoda i brojevima modela obratite se našem centru za podršku korisnicima.
- Posvećena je velika pozornost kako bi se osigurala cjelovitost sadržaja ovog dokumenta. U malo vjerojatnom slučaju pronalazjenja upitne stavke, pogreške ili propusta, obratite se našem centru za podršku korisnicima.
- Olympus odriče svaku odgovornost za pasivnu štetu ili štetu bilo koje vrste nastalu gubitkom podataka uslijed neispravnosti proizvoda, popravka koji su obavile strane koji nisu Olympus ili ovlašteni servisni centar Olympusa te zbog bilo kojeg drugog razloga.

#### Zaštitni znaci i registrirani zaštitni znaci:

- Microsoft, Windows i Windows Media registrirani su zaštitni znaci tvrtke Microsoft Corporation.
- Macintosh je zaštitni znak tvrtke Apple Inc.



#### Sigurna i ispravna uporaba

- Prije korištenja novog diktafona pažljivo pročitajte ovaj priručnik kako biste se upoznali s uputama za siguran i ispravan rad. Čuvajte priručnik na lako dostupnom mjestu za buduću potrebu.
- Simboli upozorenja označavaju važne obavijesti vezane uz sigurnost. Radi osobne zaštite i zaštite drugih od ozljedja i oštećenja imovine, od ključne je važnosti da pročitate priložena upozorenja i obavijesti.

## Početak

### Pregled dijelova

- 1 Ugrađeni mikروفon
  - 2 Priključak MIC (mikروفon)
  - 3 Prekidač HOLD
  - 4 USB terminal
  - 5 Gumb STOP (■)
  - 6 Gumb PLAY/OK (▶)
  - 7 Gumb |◀◀ (premotavanje unaprijed)
  - 8 Poklopac baterije
  - 9 Gumb FOLDER/INDEX
  - 10 Priključak EAR (slušalice)
  - 11 Zaslon (LCD ploča)
  - 12 Lampica snimanja/reprodukcije
  - 13 Gumb REC (●)
  - 14 Gumb +
  - 15 Gumb ▶▶ (premotavanje unaprijed)
  - 16 Gumb -
  - 17 Gumb DISP/MENU
  - 18 Gumb ERASE (●)
  - 19 Rupica za vrpцу
- Vrpca se ne isporučuje. Koristite dodatnu opremu.

#### Zaslon (LCD ploča):

- 1 Oznaka mape
- 2 Pokazivač osjetljivosti mikrofona
- Pokazatelj LowCut filtra\*
- Pokazatelj za funkciju Variable Control Voice Actuator
- Pokazatelj načina snimanja
- Pokazatelj brze reprodukcije
- Pokazatelj spore reprodukcije
- Pokazatelj funkcije ponovljene reprodukcije segmenta\*
- 3 Pokazatelj vodilice
- 4 Prikaz informacija o znakovima
- Mjerač razine snimanja
- 5 Pokazatelj napunjenosti baterije
- 6 Oznaka zaključavanja brisanja
- 7 Broj trenutne datoteke

\* Samo za VN-6500PC.

### Umetanje baterija (slika. 1)

- 1 Lagano pritisnite strelicu i gurnite poklopac baterije dok se ne otvori.
- 2 Umetnite dvije AAA alkalne baterije i pritom pazite na polove.
- 3 Do kraja zatvorite poklopac baterije.
  - Kadaje prekidač HOLD postavljen u smjeru strelice, zaslon se isključuje nakon što se prikaže [HOLD]. Slijedite sljedeći korak bez obzira na to.

S ovim diktafonom mogu se koristiti Ni-MH punjive baterije (BR401) tvrtke Olympus.

#### Zamjena baterija:

Kada se na zaslonu prikaže [☐], zamijenite baterije što je prije moguće. Preporučujemo AAA alkalne baterije. Kada se baterije isprazne, na zaslonu se prikazuje [☐], a diktafon se isključuje.

- Zamijenite bateriju, a prije zamjene provjerite jeste li prekidač HOLD okrenuli u smjeru suprotnom od smjera strelice.

### Napajanje (slika. 2)

#### Napajanje uključeno:

Pomaknite prekidač HOLD u smjeru suprotnog od smjera koji pokazuje strelica.

#### Napajanje isključeno:

Pomaknite prekidač HOLD u smjeru koji pokazuje strelica dok diktafon ne radi.

#### Stanje pripravnosti i isključivanje zaslona:

Ako se rad diktafona prekine na 5 minuta ili dulje tijekom snimanja ili reprodukcije, diktafon prelazi u stanje pripravnosti (uštede energije), a zaslon se gasi. Kako biste izašli iz stanja pripravnosti i uključili zaslon, pritisnite bilo koji gumb.

### Namještanje datuma i vremena

#### [Time & Date] (slika. 3)

Kada prvi put umetnete baterije ili svaki put kada zamijenite baterije, pokazivač »Month« će zatreperiti. U tom slučaju, obavezno podesite vrijeme i datum slijedeći korake od 4 do 6 opisane dalje u tekstu.

- 1 Pritisnite i držite gumb DISP/MENU 1 sekundu ili dulje kako biste došli do glavnog izbornika.
- 2 Pritisnite gumb ▶▶ ili |◀◀ i odaberite [Sub Menu].

### 3 Pritisnite gumb **PLAY/OK** (▶).

- Na zaslону se pojavljuje [Time & Date], a [◀◀◀▶▶▶] treperi.

### 4 Pritisnite gumb ▶▶▶ ili ◀◀◀ i odaberite stavku koju želite postaviti.

- Odaberite stavke »Month«, »Day«, »Year«, »Hour« i »Minute« pomoću točke koja treperi.

### 5 Pritisnite gumb + ili – za postavljanje.

- Slijedite isti postupak i pritisnite gumb ▶▶▶ ili ◀◀◀ za odabir sljedeće stavke te pritisnite gumb + ili – za namještanje.

### 6 Pritisnite gumb **PLAY/OK** (▶) kako biste završili s radom na zaslону za postavljanje.

- Sat će krenuti od postavljenog datuma i vremena.
- Pritisnite gumb **PLAY/OK** (▶) prema vremenskom signalu.

### 7 Pritisnite gumb **STOP** (■) i zatvorite izbornik.

#### Napomene o mapama (slika. 4)

Na diktafonu postoji pet mapa, [A], [B], [C], [D] i [E]. Kako biste promijenili odabir mapa, pritisnite gumb **FOLDER/INDEX** dok je rad diktafona zaustavljen. U svaku mapu može se snimiti najviše 200 datoteka.

- ① Trenutna mapa

### Snimanje (slika. 5)

#### 1 Pritisnite gumb **FOLDER/INDEX** i odaberite željenu mapu.

#### 2 Pritisnite gumb **REC** (●) i započnite snimanje.

- Lampica snimanja/reprodukcije će pocrveniti, a snimanje će početi.

#### 3 Pritisnite gumb **STOP** (■) za prestanak snimanja.

- Nove snimke spremaju se kao posljednje datoteke u mapi.

- ① Trenutna mapa
- ② Trenutni način snimanja
- ③ Trenutni broj datoteke
- ④ Vrijeme snimanja
- ⑤ Preostalo vrijeme snimanja
- ⑥ Mjerač razine snimanja

## Reprodukcija (slika. 6)

#### 1 Pritisnite gumb **FOLDER/INDEX** i odaberite željenu mapu.

#### 2 Pritisnite gumb ▶▶▶ ili ◀◀◀ za odabir datoteke za reprodukciju.

#### 3 Pritisnite gumb **PLAY/OK** (▶) za početak reprodukcije.

- Lampica snimanja/reprodukcije će postati zelena, a proteklo vrijeme reprodukcije će se prikazati na zaslону.

#### 4 Pritisnite gumb + ili – i odaberite odgovarajuću jačinu zvuka.

- Na zaslону se prikazuje razina jačine zvuka. Možete odabrati jačinu između [00] i [30].

- ① Trenutni broj datoteke
- ② Vrijeme reprodukcije

#### Zaustavljanje (slika. 7)

#### Pritisnite gumb **STOP** (■).

- Diktafon se zaustavlja u sredini datoteke koja se reproducira.

## Izbrisi

#### Brisanje jedne po jedne datoteke (slika. 8)

#### 1 Pritisnite gumb **FOLDER/INDEX** i odaberite mapu.

#### 2 Pritisnite gumb ▶▶▶ ili ◀◀◀ i odaberite datoteke za brisanje.

- ① Datoteke za brisanje

#### 3 Pritisnite gumb **ERASE** (●).

#### 4 Pritisnite gumb ▶▶▶ i odaberite [Start].

#### 5 Pritisnite gumb **PLAY/OK** (▶).

#### Brisanje svih datoteka iz mape (slika. 9)

#### 1 Pritisnite gumb **FOLDER/INDEX** i odaberite mapu koju želite izbrisati.

- ① Datoteke za brisanje

#### 2 Dvaput pritisnite gumb **ERASE** (●).

#### 3 Pritisnite gumb ▶▶▶ i odaberite [Start].

#### 4 Pritisnite gumb **PLAY/OK** (▶).

#### Napomene:

- Izbrisani zapis ne može se vratiti.
- Datoteka za koju je postavljena zabrana brisanja ne može se izbrisati.

- Završavanje brisanja može potrajati nekoliko sekundi. U to vrijeme nemojte pokušavati izvaditi ili zamijeniti bateriju te ne pokrećite druge funkcije snimanja jer se tako mogu oštetiti podaci.

## Druge funkcije

#### Priključivanje na računalo (slika. 10)

Osim korištenja ovog uređaja za snimanje, možete ga koristiti kao vanjsku memoriju računala, kao uređaj za pohranu podataka.

- Audio datoteke koje ovaj uređaj snimi mogu se reproducirati na računalu pomoću programa Windows Media Player. Isto tako možete prebaciti WMA datoteke koje ste preuzeli pomoću programa Windows Media Player na diktafon i uživati u njima (ako to nisu datoteke zaštićene autorskim pravima).

#### 1 Spojite USB terminal diktafona s USB priključkom ili USB sabirnicom na računalo.

- Kada se prikaže [Remote], možete spremili ili očitati podatke.

#### 2 Pritisnite audio datoteke na računalo.

- Spojite diktafon s računalom i pokrenite Explorer.
- Računalo će prepoznati diktafon kao izmjenjivi disk.
- Ovih pet mapa zovu se DSS\_FLDA, B, C, D i E. U ove mape spremaju se audio datoteke.
- Sve audio datoteke koje snima ovaj diktafon bit će u WMA formatu.

to jest:

VN-6500PC: VN\_650001.WMA  
VN-5500PC: VN\_550001.WMA  
VN-3500PC: VN\_350001.WMA

- Ako koristite operativni sustav Windows 2000, na računalo mora biti instaliran Windows Media Player.

#### 3 Pritisnite [ ] na programskoj traci koja se nalazi u donjem desnom kutu zaslona. Pritisnite [Sigurno ukljanjanje hardvera].

- ① USB terminal
- ② Slanje podataka
- ③ Primanje podataka

## Korištenje diktafona na računalu

<b>Windows</b>	<b>Operativni sustav:</b> Microsoft Windows 2000 / XP / Vista (standardna instalacija) <b>Kompatibilna računala:</b> Windows računala imaju više slobodnih USB priključaka
<b>Macintosh</b>	<b>Operativni sustav:</b> Mac OS X 10.2.8 ~ 10.5 (standardna instalacija) <b>Kompatibilna računala:</b> Serije Apple Macintosh računala koji raspolazu s najmanje dva slobodna USB priključka.

Podrška ne pokriva računala koja su sa sustava Windows 95 ili 98 unaprijedena na sustav Windows 2000/XP/Vista. Nijedan kvar na računalu koje ste sami mijenjali nije pokriven radnim jamstvom.

### Napomene:

- NIKADA ne iskopčavajte USB dok lampica snimanja/reprodukcije treperi crveno. U suprotnom bi se podaci mogli uništiti.
- U korisničkom priručniku za računalo potražite informacije o USB priključku ili USB sabirnici na svom računalu.
- S obzirom da šum može uzrokovati neželjene efekte na elektroničkim uređajima u blizini diktafona, iskopčajte slušalice kad priključujete diktafon na računalo.

## Opće mjere opreza

Pažljivo pročitajte ovaj priručnik kako biste bili sigurno da znate sigurno i ispravno rukovati diktafonom. Čuvajte priručnik na lako dostupnom mjestu za buduće potrebe.

- Simboli upozorenja označavaju važne obavijestivezane uz sigurnost. Radi osobne zaštite i zaštite drugih od ozljeda i oštećenja imovine, od ključne je važnosti da pročitate priložena upozorenja i obavijesti.

### Upozorenje o gubitku podataka:

- Snimljeni sadržaj može se uništiti ili izbrijeti zbog pogreške pri korištenju, neispravnosti uređaja ili za vrijeme popravka.
- Ako je na diktafonu snimljen neki važan sadržaj, preporučujemo da ga negdje zapišete ili napravite sigurnosnu kopiju tako da ga prebacite na računalo.
- Olympus odriče svaku odgovornost za pasivna oštećenja ili oštećenja bilo koje vrste nastala gubitkom podataka uslijed neispravnosti proizvoda, popravka koji je obavila treća strana, a ne Olympus ili ovlašteni servisni centar Olympusa, te zbog bilo kojeg drugog razloga.

## Sigurno i ispravno korištenje

- Slušalice koristite tek nakon što smanjite jačinu zvuka na njima, u suprotnom može doći do oštećenja i/ili poremećaja sluha.
- Slušalice nemojte dulje vrijeme koristite pri visokoj jačini zvuka jer može doći do oštećenja i/ili poremećaja sluha.
- Obavezno zaustavite diktafon prije zamjene baterija. Ako uklanjate baterije dok se diktafon koristi, može doći do oštećenja datoteke.
- Ne ostavljajte diktafon na vrućim, vlažnim mjestima, primjerice unutar zatvorenog automobila na izravnoj sunčevoj svjetlosti ili na plaži po ljeto.
- Ne držite diktafon na mjestima koja su izložena prekomjernoj vlazi ili prašini.
- Ne koristite organska otapala poput alkohola i razrjeđivača za čišćenje uređaja.
- Ne stavljajte diktafon na ili u blizinu električnih uređaja kao što su televizori ili hladnjaci.
- Izbjegavajte snimanje i reprodukciju u blizini mobilnih telefona i drugih bežičnih uređaja jer oni mogu prouzrokovati smetnje i šum. Dode li do šuma, promijenite položaj ili udaljite diktafon od takvih uređaja.
- Izbjegavajte pijesak i prljavštinu. Oni mogu prouzrokovati nepopravljiva oštećenja.
- Izbjegavajte snažne vibracije i udarce.
- Ne rastavljajte, ne popravljajte i ne vršite izmjene na uređaju.

- Ne koristite uređaj dok upravljate vozilom (primjerice biciklom, motociklom ili kartingom).
- Uređaj držite izvan doseg djece.

### Baterija

#### ⚠ Upozorenje:

- Nikada u odjeljak za baterije ne umičete druge dijelove, osim glavne jedinice. To može uzrokovati curenje baterije, pregrijavanje, zapaljenje ili eksploziju.
- Baterije nikada ne izlažite plamenu, ne zagrijavajte ih, ne uzrokujte kratki spoj i ne rastavljajte ih.
- Ne pokušavajte puniti alkalne, litijske ili druge baterije koje nisu punjive.
- Ne koristite baterije s napuklim ili oštećenim kućištem.
- Baterije čuvajte izvan doseg djece.
- Ako pri korištenju ovog proizvoda uočite nešto neobično, primjerice neobičajne šumove, toplinu, dim ili miris paljivine:
  - ① odmah izvadite baterije pazeći da se pritom ne opetete i;
  - ② obratite se prodavaču ili ovlaštenom predstavniku Olympusa radi popravka.

## Specifikacije

### Medij snimanja:

Ugrađena flash memorija

### Ukupna frekvencija:

**VN-6500PC, VN-5500PC:**

HQ način rada: 200 do 13.000 Hz

SQ način rada: 200 do 7.000 Hz

LP način rada: 200 do 3.000 Hz

### **VN-3500PC:**

HQ način rada: 200 do 13.000 Hz

SQ način rada: 200 do 7.000 Hz

LP način rada: 200 do 3.000 Hz

### Vrijeme snimanja:

**VN-6500PC, VN-5500PC: 512 MB**

HQ način rada: pribl. 35 sati 20

minuta

SP način rada: pribl. 69 sati 35

minuta

LP način rada: pribl. 221 sati 30

minuta minutes

### **VN-3500PC: 128 MB**

HQ način rada: pribl. 8 sati 40

minuta

SP način rada: pribl. 17 sati 10

minuta



LP način rada: pribl. 54 sati 40 minutaminutes

- Gore navedena vremena snimanja označavaju vrijeme nakon brisanja priručnika spremljenog na diktafonu.
- Priručnik se može izbrisati spajanjem na računalo i brisanjem ili formatiranjem diktafona. Pojednosti potražite u dijelu **»Formatiranje diktafona [Format]«**.
- Prije brisanja podataka napravite sigurnosnu kopiju PDF datoteke priručnika.

#### Mikrofon:

Kondenzatorski mikrofon (jednotonski)

#### Zvučnik:

Ugrađeni ø 23-milimetarski okrugli dinamički zvučnik

#### Maksimalna snaga:

250 mW

#### Maksimalna snaga slušalica:

≤ 150 mV

(prema EN 50332-2)

#### Priključak za slušalice (jednotonski):

ø 3,5 mm promjera, impedancija 8 Ω

#### Priključak za mikrofon (jednotonski):

ø 3,5 mm promjera, impedancija 2 kΩ

#### Napajanje:

Dvije AAA (LR03) baterije ili dvije Ni-MH punjive baterije

#### Stalne baterije:

Alkalne baterije:

pribl. 37 sati

Ni-MH punjive baterije:

pribl. 25 sati

#### Dimenzije:

102 (V) mm x 37 (Š) mm x 18,8 (D) mm (bez izbočenja)

#### Težina: 64,8 g (s baterijom)

- Olympus mjeri vijek trajanja baterija. Vijek trajanja baterija uvelike ovisi o tipu baterija i načinu uporabe.
- Snimljeni sadržaj je samo za vaše osobne potrebe ili za užitak. Zabranjeno je snimanje materijala zaštićenih autorskim pravima bez pristanka vlasnika autorskih prava, a prema zakonu o zaštiti autorskih prava.
- Specifikacije i dizajn podložni su promjenama bez prethodne najave zbog poboljšanja izvedbe.

## Dodatna oprema (opcija)

#### Punjač za Ni-MH punjive baterije:

BU-400 (samo Europa)

#### Ni-MH punjiva baterija:

BR401

#### Kabel za spajanje (priključak

za slušalice ↔ priključak za

mikrofon): KA333

#### Mikrofon za uklanjanje šuma:

ME52

#### Kondenzatorski mikrofon:

ME15

#### Dvije jednotonske slušalice: E20

Mikrofon za snimanje telefonskih

razgovora: TP7

#### Vrpca za nošenje oko vrata: ST26



Oznaka »CE« znači da je ovaj proizvod sukladan s europskim zahtjevima za sigurnost, zdravlje, okoliš i zaštitu kupaca.



Ovaj simbol [prekrižena kanta WEEE Aneks IV] označava odvojeno prikupljanje otpadne električne i elektroničke opreme u državama Europske unije.

Ne bacajte ovaj uređaj s kućanskim otpadom.

Koristite postojeće sustave povrata i prikupljanja u svojoj zemlji radi recikliranja ovog proizvoda.

Primjenjivi proizvod: VN-6500PC, VN-5500PC, VN-3500PC



Ovaj simbol [prekrižena kanta WEEE Aneks II] označava odvojeno prikupljanje potrošenih baterija u državama Europske unije. Ne

bacajte ovaj uređaj s kućanskim otpadom. Koristite postojeće sustave povrata i prikupljanja u svojoj zemlji za recikliranje potrošenih baterija.

- Ez a kézikönyv alapvető információkat tartalmaz. A teljes, részletes információkat tartalmazó kézikönyvet a hangrögzítő **[OL MANUAL]** mappájában találja, vagy letöltheti az OLYMPUS webhelyéről.
- A jelen dokumentum tartalma a későbbiekben előzetes értesítés nélkül módosulhat. A termék nevére és a modellszámra vonatkozó aktuális információért forduljon az ügyfélszolgálatunkhoz.
- Minden tőlünk telhetőt megteszünk ezen dokumentum tartalmának helyességéért. Amennyiben mégis nem egyértelmű információt, hibát vagy hiányosságot talál a szövegben, lépjen kapcsolatba az ügyfélszolgálattal.
- Az Olympus nem vállal felelősséget a termék meghibásodása következtében bekövetkező adatvesztés, a nem az Olympus, illetve annak felhatalmazott szerveze által végzett javítások, illetve bármely más ok miatt bekövetkező passzív károkért vagy egyéb más káreseményekért.

**Védjegyek és bejegyzett védjegyek:**

- A Microsoft, a Windows és a Windows Media a Microsoft Corporation bejegyzett védjegye.
- A Macintosh az Apple Inc. védjegye.

**Biztonságos és rendeltetészerű használat**

- Mielőtt használatba veszi az új hangrögzítőt, gondosan olvassa el ezt a kézikönyvet, amely a készülék biztonságos és rendeltetészerű használatát ismerteti. A kézikönyvet a későbbi használat céljából tartsa könnyen elérhető helyen.**
- A figyelmeztető jelzések fontos biztonsági tudnivalókra hívják fel a figyelmet. Aszemélyisérülés és vagyoni károk elkerülése érdekében fontos, hogy mindig elolvassa ezeket a biztonsági információkat.

**Előkészítő lépések****Alkatrészek azonosítása**

- 1 Beépített mikrofon
- 2 MIC (mikrofon) aljzat
- 3 HOLD kapcsoló
- 4 USB-csatlakozó
- 5 STOP (■) gomb
- 6 PLAY/OK (▶) gomb
- 7 ◀◀ (Visszatekerés) gomb
- 8 Akkumulátorfedél
- 9 FOLDER/INDEX gomb
- 10 EAR (fejhallgató) aljzat
- 11 Kijelző (LCD-panel)
- 12 Felvétel/lejátszás jelzőfénye
- 13 REC (●) gomb
- 14 + gomb
- 15 ▶▶ (Gyors előretekerés) gomb
- 16 – gomb
- 17 DISP/MENU gomb
- 18 ERASE (●) gomb
- 19 Szij nyílása

- A szíjat a csomag nem tartalmazza. Használja az opcionális kiegészítőt.

**Kijelző (LCD panel):**

- 1 Mappa jelölése
- 2 Mikrofon érzékenységeik jelzője
- Alacsony hangok kiszűrésének jelzése
- Hangra induló felvétel jelzése
- Felvétel mód jelzése
- Gyors lejátszás jelzése
- Lassú lejátszás jelzése
- Többszöri lejátszás jelzése\*

- 3 Útmutató jelzés
- 4 Karakteres információs kijelző Felvételi szint jelzése
- 5 Akkumulátor jelzője
- 6 Törlési zárolás jelzője
- 7 Aktuális fájl száma

\* Csak a VN-6500PC készüléken.

**Az elemek behelyezése (1 ábra)**

- 1 Enyhén nyomja le az akkumulátorfedelet a nyílánál, és csúsztassa ki.
- 2 Helyezzen be két AAA méretű alkáli elemet, és ügyeljen a megfelelő polaritásra.
- 3 Zárja be teljesen az akkumulátorfedelet.
  - Ha a HOLD kapcsolót a nyíl irányába mozgatja, a kijelző megjeleníti a [HOLD] feliratot, majd kikapcsol. Ettől függetlenül folytassa a következő lépést.

**Ahangrögzítőhöz opcionális Olympus Ni-MH újratölthető akkumulátor (BR401) is használható.**

**Az elemek/akkumulátorok cseréje:**

- Ha a kijelzőn megjelenik az [□] jel, a lehető leghamarabb cserélje ki az elemeket/akkumulátorokat. AAA méretű alkáli elemek használata ajánlott. Amikor az elemek/akkumulátorok lemerültek, a [□] jel jelenik meg a képernyőn, és a rögzítő kikapcsol.
- Az elemek/akkumulátorok cseréje előtt ellenőrizze, hogy a HOLD kapcsoló a nyílall ellentétes állásban van.

**Áramellátás (2 ábra)****Bekapcsolás:**

Csúsztassa a HOLD kapcsolót a nyílall ellentétes irányba.

**Kikapcsolás:**

Csúsztassa a HOLD kapcsolót a nyíl irányába, miközben a rögzítő nem működik.

**Készenléti mód és a kijelző kikapcsolása:**

Ha a hangrögzítő a felvétel vagy a lejátszás alatt legalább 5 percig le van állítva, a készülék készenléti (energiatakarékos) módba lép, és a kijelző kikapcsol. A készenléti üzemmód kikapcsolásához és a kijelző bekapcsolásához nyomja meg valamelyik gombot.

**Az idő és a dátum beállítása****[Time & Date] (3 ábra)**

Amikor először helyez be akkumulátort/ elemeket vagy lecseréli azokat, a "Hónap" jelző villog. Ilyen esetekben állítsa be a dátumot és időt az alábbi 4 – 6 lépésekben leírt módon.

1 Nyomja meg és tartsa nyomva a **DISP/MENU** gombot 1 másodpercig vagy hosszabb ideig a főmenü megjelenítéséhez.

2 Nyomja meg a **▶▶▶** vagy a **◀◀◀** gombot a **[Sub Menu]** kiválasztásához.

3 Nyomja meg a **PLAY/OK (▶)** gombot.

- **[Time & Date]** felirat jelenik meg a kijelzőn, és villog a **[◀(0)▶]** jel.

4 A beállítandó elem kiválasztásához nyomja meg a **▶▶▶** vagy a **◀◀◀** gombot.

- Válasszon a **"Hónap", "Nap", "Év", "Óra"** és **"Perc"** elemek közül a villogó pont segítségével.

5 A beállításához nyomja meg a **+** vagy a **-** gombot.

- A következő elem kiválasztásához nyomja meg a **▶▶▶** vagy a **◀◀◀** gombot, a beállításához pedig használja a **+** vagy a **-** gombot.

6 A beállítás képernyő bezárásához nyomja meg a **PLAY/OK (▶)** gombot.

- Az óra elindul a megadott dátumtól és időponttól.
- Az időjelzésnek megfelelően nyomja meg a **PLAY/OK (▶)** gombot.

7 Nyomja meg a **STOP (■)** gombot a menü mód bezárásához.

#### Megjegyzések a mappákhoz (4 ábra)

A hangrögzítőt ön mappa található: az **[M]**, **[A]**, **[C]**, **[D]** és **[E]** mappák. Másik mappa kiválasztásához nyomja meg a **FOLDER/INDEX** gombot, miközben a felvétel áll. Legfeljebb 200 fájl rögzíthető mindegyik mappába.

- 1 Aktuális mappa

#### Felvétel (5 ábra)

1 Nyomja meg a **FOLDER/INDEX** gombot a kívánt mappa kiválasztásához.

2 Nyomja meg a **REC (●)** gombot a felvétel megkezdéséhez.

- A felvétel/lejátszás jelzőfénye vörösre vált, és megkezdődik a felvétel.

3 Nyomja meg a **STOP (■)** gombot a felvétel leállításához.

- Az új felvételeket a készülék a mappa utolsó fájljaként rögzíti.

- 1 Aktuális mappa
- 2 Aktuális felvétel mód
- 3 Aktuális fájl száma
- 4 Felvételi idő
- 5 Hátralévő felvételi idő
- 6 Felvételi szint jelzése

#### Lejátszás (6 ábra)

1 Nyomja meg a **FOLDER/INDEX** gombot a kívánt mappa kiválasztásához.

2 A lejátszandó fájl kiválasztásához nyomja meg a **▶▶▶** vagy a **◀◀◀** gombot.

3 Nyomja meg a **PLAY/OK (▶)** gombot a lejátszás megkezdéséhez.

- A lejátszás/felvétel jelzője zöldre vált, és a kijelzőn megjelenik az eltelt lejátszási idő.

4 Nyomja meg a **+** vagy a **-** gombot a megfelelő hangerő kiválasztásához.

- A kijelzőn megjelenik a hangerő. **[00]** és **[30]** közötti értéket választhat.

- 1 Aktuális fájl száma
- 2 Lejátszási idő

#### Leállítás: (7 ábra)

Nyomja meg a **STOP (■)** gombot.

- A hangrögzítő a lejátszott fájl közepén leáll.

#### Törlés

##### Fájlok törlése egyenként (8 ábra)

1 Nyomja meg a **FOLDER/INDEX** gombot a mappa kiválasztásához.

2 A törölni kívánt fájl kiválasztásához nyomja meg a **▶▶▶** vagy a **◀◀◀** gombot.

- 1 Törölni kívánt fájl

3 Nyomja meg az **ERASE (●)** gombot.

4 Nyomja meg a **▶▶▶** gombot a **[Start]** kiválasztásához.

5 Nyomja meg a **PLAY/OK (▶)** gombot.

##### A mappában található összes fájl

##### törlése (9 ábra)

1 Nyomja meg a **FOLDER/INDEX** gombot a törölni kívánt mappa kiválasztásához.

- 1 Törölni kívánt mappa

2 Nyomja meg kétszer az **ERASE (●)** gombot.

3 Nyomja meg a **▶▶▶** gombot a **[Start]** lehetőség kiválasztásához.

4 Nyomja meg a **PLAY/OK (▶)** gombot.

#### Megjegyzések:

- A törölt fájlokat nem lehet visszaállítani.
- A törlési zárolás alatt lévő fájlokat a készülék nem törli.
- A törlés befejezése több másodpercet is igénybe vehet. Ne kísérelje meg eltávolítani vagy lecserélni az akkumulátort, és ne próbáljon meg semmilyen más funkciót használni a hangrögzítőn a művelet befejezéséig, mert ezzel sérülhetnek az adatok.

#### Egyéb funkciók

##### Csatlakoztatás a számítógéphez (10 ábra)

A hangrögzítés mellett ezt a terméket a számítógép külső memóriájaként, tárolóeszközként is használhatja.

- Az ezzel a hangrögzítővel felvett hangfájlok a Windows Media Player alkalmazással lejátszhatók a számítógépen. Emellett a Windows Media Player használatával a letöltött WMA-fájlokat átmosolhatja a hangrögzítőre, és hallgathatja azokat (a másolásvédezt fájlok kivételével).

1 Csatlakoztassa a hangrögzítő USB-csatlakozóját a számítógép USB-portjához vagy USB-elosztójához.

- Ha megjelenik a **[Remote]** jel, mentheti vagy olvashatja az adatokat.

2 Vigye át a hangfájlokat a számítógépre.

- Csatlakoztassa a hangrögzítőt a számítógéphez és indítsa el az Intézőt.

- A számítógép a hangrögzítőt cserélhető lemezként ismeri fel.
- Az őt mappa neve **DSS\_FLDA**, **B**, **C**, **D** és **E**. A hangfájlok ezekben a mappákban találhatóak.

- A ezzel a hangrögzítővel rögzített összes hangfájl formátuma **WMA**.

vagyis:

VN-6500PC: VN\_650001.WMA  
VN-5500PC: VN\_550001.WMA  
VN-3500PC: VN\_350001.WMA

- Ha Windows 2000 rendszert használ, telepíteni kell a Windows Media Player szoftvert a számítógépre.

### 3 Kattintson a képernyő jobb alsó sarkában, a tálcán található ikonra. Kattintson a [Hardver biztonságot eltávolítása] parancsra.

- 1 USB-csatlakozó
- 2 Az adatok elküldése
- 3 Az adatok fogadása

#### A hangrögzítő használata számítógéppel

<b>Windows</b>	<b>Operációs rendszer:</b> Microsoft Windows 2000 / XP / Vista (általános telepítés) <b>Kompatibilis számítógépek:</b> Egy vagy több szabad USB-porttal rendelkező, Windows rendszert futtató számítógépek
<b>Macintosh</b>	<b>Operációs rendszer:</b> Mac OS X 10.2.8 ~ 10.5 (általános telepítés) <b>Kompatibilis számítógépek:</b> Egy vagy több szabad USB-porttal rendelkező, Apple Macintosh számítógépek.

A támogatási szolgálatnál nem érvényes, ha a számítógépet Windows 95 vagy 98 rendszerről frissítette Windows 2000/XP/Vista rendszerre. A saját kezűleg módosított számítógépek hibáira nem érvényes a működési garancia.

#### Megjegyzések:

- SOHA ne válassza le az USB-kábelt, miáltal a felvétel/lejátszás jelzje vörösen villog. Ha mégis megteszi, az adatok megsemmisülhetnek.
- A számítógépen található USB-porttal vagy USB-csatlakozóval kapcsolatban további információt a számítógép használati utasításában talál.
- Mivel a zaj káros hatással lehet a hangrögzítő közelében lévő elektronikus eszközökre, húzza ki a

fűlhallgatót, amikor a hangrögzítőt a számítógéphez csatlakoztatja.

## Általános óvintézkedések

Gondosan olvassa el ezt a kézikönyvet, amely a készülék biztonságos és megfelelő működtetését ismerteti. A kézikönyvet a későbbi használat céljából tartsa könnyen elérhető helyen.

A figyelmeztető jelzések fontos biztonsági tudnivalókra hívják fel a figyelmet. A személyi sérülés és vagyoni károk elkerülése érdekében fontos, hogy mindig elolvassa ezeket a biztonsági információkat.

#### Adatvesztéssel kapcsolatos figyelmeztetés:

- A memóriában rögzített tartalom sérülhet vagy törölhető a készülék szabálytalan kezelése, meghibásodása vagy javítása során.
- A fontos rögzített tartalmakat ajánlott valahová leírni, vagy a számítógépre töltés után biztonsági másolatot készíteni róluk.
- Az Olympus nem vállal felelősséget a termék meghibásodása következtében bekövetkező adatvesztés, a nem az Olympus, illetve annak felhatalmazott szervize által végzett javítások, illetve bármely más ok miatt bekövetkező passzív károkért vagy egyéb más káreseményekért.

## Biztonságos és helyes használat

- A fűlhallgató használata előtt csökkentse annak hangerejét, mivel ez halláskárosodást okozhat.
- Ne használja huzamosabb ideig magas hangeron a fűlhallgatót, mivel ez halláskárosodást okozhat.
- Az elemek cseréje előtt győződjön meg arról, hogy leállította a hangrögzítőt. Ha az elemeket/akkumulátorokat a készülék működése közben távolítja el, az a fájll esetleges sérülését okozhatja.
- Ne hagyja a hangrögzítőt olyan helyen, ahol hő vagy nedvesség érheti, például nyáron közvetlen napsugárzásnak kitért zárt autóban vagy a strandon.
- Ne tárolja a készüléket erősen nedves vagy poros helyeken.
- A készüléket ne tisztítsa szerves oldószerekkel, például alkohollal vagy lakkhígítóval.
- Ne tegye a hangrögzítőt elektromos

készülékek, például TV vagy hűtő tetéjére, vagy közelébe.

- Ne készítsen, illetve ne játsszon le felvételt mobiltelefon vagy más vezeték nélküli berendezés közelében, mivel ezen eszközök interferenciát és zajt okozhatnak. Zajhatás fellépésekor változtasson helyet vagy vigye a hangrögzítőt az említett berendezésektől távolabb.
- Ne tegye ki a készüléket homoknak vagy más szennyeződésnek. Ezek maradárdó károsodást okozhatnak.
- Kerülje az erős ütéseket vagy a rozkodást.
- Ne szerelje szét, ne javítsa, illetve ne alakítsa át a készüléket.
- Ne használja a készüléket járművezetés (kerékpározás, motorkepekározás vagy gokartozás) közben.
- Tartsa a készüléket gyermekektől elzárva.

#### Elem/akkumulátor

##### ⚠ Figyelmeztetés:

- Semmilyen körülmények között ne helyezzen az akkumulátortartóba más akkumulátort. Ez tüzet, robbanást, az akkumulátor szivárgását vagy túlmelegedést okozhat.
- Az akkumulátort soha ne dobja tűzbe, ne melegítse, ne zárja rövidre és ne szerelje szét.
- Ne próbáljon meg feltölteni alkáli, lítium és más nem újratölthető elemeket.
- Soha ne használjon sérült burkolatú akkumulátort.
- Tartsa az akkumulátort gyermekektől elzárva.
- Ha a termék használata során bármilyen szokatlan – például rendellenes zajt, hőfejlődést, füstöt, égett szagot – tapasztal:
  - 1 azonnal vegye ki az akkumulátort, ügyelve arra, hogy ne égesse meg magát, majd
  - 2 kérjen segítséget a termék eladójától vagy a helyi Olympus képviselőtől.

## Műszaki adatok

### Rögzítési adathordozó:

Beépített Flash-memória

### Teljes frekvenciatartomány:

**VN-6500PC, VN-5500PC:**

HQ mód: 200 – 13 000 Hz

SQ mód: 200 – 7 000 Hz

LP mód: 200 – 3 000 Hz

### **VN-3500PC:**

HQ mód: 200 – 13 000 Hz

SQ mód: 200 – 7 000 Hz

LP mód: 200 – 3 000 Hz

### Rögzítési idő:

**VN-6500PC, VN-5500PC: 512 MB**

HQ mód: körülbelül 35 óra 20 perc

SP mód: körülbelül 69 óra 35 perc

LP mód: körülbelül 221 óra 30 perc

**VN-3500PC: 128 MB**

HQ mód: körülbelül 8 óra 40 perc

SP mód: körülbelül 17 óra 10 perc

LP mód: körülbelül 54 óra 40 perc

• A fent említett rögzítési idők a rögzítőn lévő kézikönyv törleszt követően elérhető időket jelzik.

• A kézikönyv a számítógéphez való csatlakoztatással és törléssel, vagy a rögzítő formázásával törölhető. A részletes információkat „A hangrögzítő formázása [Format]” című részben talál.

• Az adatok törlése előtt készítsen biztonsági fájlt a kézikönyvet tartalmazó PDF-fájlról.

### Mikrofon:

Elektret kondenzátormikrofon (monó)

### Hangszóró:

Beépített ø 23 mm kerek dinamikus hangszóró

### Maximális teljesítmény:

250 mW

### Maximális teljesítmény a fülhallgatón:

≤ 150 mW

(az EN 50332-2 szabványnak megfelelően)

### Féjhallgatóaljzat (monó):

ø 3,5 mm, impedancia: 8 Ω

### Mikrofonaljzat (monó):

ø 3,5 mm, impedancia: 2 kΩ

### Áramellátás:

Két AAA elem (LR03) vagy két Ni-MH akkumulátor

### Üzemidő:

Akkái elem:

körülbelül 37 óra

Ni-MH akkumulátor:

körülbelül 25 óra

### Méretek:

102 (H) mm x 37 (Sz) mm x 18,8 (V) mm  
(a kiálló részeket leszámítva)

### Tömeg: 64,8 g (elemekkel együtt)

• Az elemek/akkumulátorok üzemideje az Olympus mérésén alapul. Ez az érték nagy mértékben függ az elemek típusától és a használat körülményeitől.

• A rögzített tartalmak csak személyes használatra szolgálnak. A szerzői jogi törvények szerint tilos jogvédett anyagot rögzíteni a jogtulajdonosok engedélye nélkül.

• A műszaki adatok és a készülék kialakítása előzetes bejelentés nélkül változhat a jobb teljesítmény érdekében.

## Tartozékok (opcionális)

### Ni-MH akkumulátortöltő:

BU-400 (csak Európában)

### Ni-MH akkumulátor:

BR401

### Csatlakozókábel (Fülhallgató

aljzat ↔ Mikrofon aljzat): KA333

### Zajkioltó mikrofon:

ME52

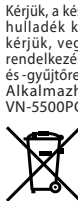
### Elektret kondenzátormikrofon:

ME15

### Dupla monó fülhallgató: E20

### Telefonbeszélgetés-rögzítő: TP7

Nyakszíj: ST26



A „CE” jelzés jelzi, hogy ez a termék biztonság, egészség, környezet és fogyasztóvédelem tekintetében megfelel az európai követelményeknek.

Ez a szimbólum [áthúzott kerek] keres hulladékgyűjtő – WEEE Annex IV] hívja fel a figyelmet az elektromos és elektronikus készülékek elkülönített gyűjtésére az EU országokban.

Kérjük, a készüléket ne dobja a háztartási hulladék közé. A termék eldobásakor kérjük, vegye igénybe az országában rendelkezésre álló hulladék-összevétel és -gyűjtőrendszereket.

Alkalmazható termékek: VN-6500PC, VN-5500PC, VN-3500PC

Ez a jelkép [áthúzott, kerek] keres hulladékgyűjtő – 2006/66/EK irányelv, II. melléklet] azt jelzi, hogy az EU országokban külön kell gyűjteni az elhasznált elemeket. Kérjük, ne dobja az elemeket a háztartási hulladékba. Az elemek eldobásakor kérjük, vegye igénybe az országában rendelkezésre álló hulladék-összevétel és -gyűjtőrendszereket.

## IT Introduzione

- Questo manuale è una versione di base. Fate riferimento al manuale avanzato completo dai dati memorizzati nella cartella [OL\_MANUAL] del registratore oppure scaricate i dati dal sito Web di OLYMPUS.
- Il contenuto di questo documento può essere modificato in futuro senza preavviso. Contattare il centro assistenza clienti per ottenere le informazioni più recenti relative ai nomi dei prodotti e ai codici modello.
- Il contenuto di questo documento è stato preparato con la maggiore attenzione per assicurarne la completezza. In caso di dubbi, errori o omissioni vi preghiamo di contattare il nostro centro assistenza clienti.
- Olympus non si assume la responsabilità per danni passivi o danni di qualsiasi tipo causati dalla perdita di dati dovuta a un difetto del prodotto, a riparazioni eseguite da terzi e non svolte da personale Olympus o da punti di assistenza Olympus autorizzati, o dovuti a qualsiasi altra ragione.

### Marchi e marchi registrati:

- Microsoft, Windows e Windows Media sono marchi registrati di Microsoft Corporation.
- Macintosh è un marchio registrato di Apple Inc.



### Uso sicuro e corretto

**Prima di utilizzare il registratore, leggere attentamente questo manuale per operare in modo sicuro e corretto. Conservare il manuale in un posto facilmente accessibile per riferimento futuro.**

- I simboli di avvertenza indicano importanti informazioni relative alla sicurezza. Per proteggere se stessi e altri da infortuni, lesioni personali o danni a cose, è essenziale leggere le avvertenze e le informazioni fornite.

## Procedura iniziale

### Identificazione delle parti

- 1 Microfono integrato
  - 2 MICjack (microfono)
  - 3 Selettore **HOLD**
  - 4 Ingresso USB
  - 5 Tasto **STOP** (■)
  - 6 Tasto **PLAY/OK** (▶)
  - 7 Tasto **◀◀** (indietro)
  - 8 Sportello batteria
  - 9 Tasto **FOLDER/INDEX**
  - 10 Jack **EAR** (auricolari)
  - 11 Display (LCD panel)
  - 12 Spia di registrazione/riproduzione
  - 13 Tasto **REC** (●)
  - 14 Tasto +
  - 15 ▶▶ Tasto (avanzamento veloce)
  - 16 Tasto -
  - 17 Tasto **DISP/MENU**
  - 18 Tasto **ERASE** (●)
  - 19 Fessura cinturino
- Cinturino non in dotazione. Utilizzare gli accessori opzionali.

### Display (pannello LCD):

- 1 Indicatore cartelle
  - 2 Indicatore sensibilità del microfono
  - Indicatore filtro low cut\*
  - Indicatore attivazione vocale a controllo variabile
  - Indicatore modalità di registrazione
  - Indicatore riproduzione rapida
  - Indicatore riproduzione lenta
  - Indicatore riproduzione ripetizione segmento\*
- 3 Indicatore guida
  - 4 Caratteri del display informazioni Misurazione livello registrazione
  - 5 Indicatore batterie
  - 6 Indicatore blocco cancellazione
  - 7 Numero file corrente

\* Solo per VN-6500PC.

### Inserimento delle batterie (fig. 1)

- 1 Premere leggermente sulla freccia e aprire facendo scorrere lo sportello batteria.
- 2 Inserire due batterie alcaline AAA osservando la corretta polarità.
- 3 Chiudere completamente il vano batterie.
  - Se il selettore **HOLD** è posizionato nella direzione della freccia, il display si spegne dopo la visualizzazione di [HOLD]. È comunque possibile procedere al passo successivo.

Per il registratore è possibile utilizzare una batteria ricaricabile Ni-MH opzionale Olympus.

### Sostituzione delle batterie:

Quando sul display appare [], sostituire le batterie al più presto. Si consigliano batterie alcaline AAA. Quando le batterie sono esaurite, appare [] sul display e il registratore si spegne.

- Per sostituire la batteria, accertarsi di posizionare il selettore **HOLD** nella direzione opposta a quella indicata dalla freccia prima della sostituzione.

### Alimentazione (fig. 2)

#### Accensione:

Spostare il selettore **HOLD** in direzione opposta a quella indicata dalla freccia.

#### Spegnimento:

Spostare il selettore **HOLD** nella direzione indicata dalla freccia mentre il registratore non è in funzione.

#### Modalità standby e display spento:

Se il registratore viene fermato per un tempo pari o superiore a 5 minuti durante la registrazione o la riproduzione, si attiva la modalità Standby (risparmio energetico) e il display si spegne. Per uscire dalla modalità standby e accendere il display premere un tasto qualsiasi.

### Impostazione di ora e data

#### [Ora e data] (fig. 3)

Quando si installano le batterie per la prima volta o ogni volta che vengono sostituite, l'indicazione "Mese" lampeggia. In questo caso, impostare l'ora e la data seguendo i passi da 4 a 6 descritti di seguito.

- 1 Tenere premuto il tasto **DISP/MENU** per almeno 1 secondo per passare al menu principale.

2 Premere il tasto ►►► o ◀◀◀ per selezionare [Sub Menu].

3 Premere il tasto PLAY/OK (►).  
• [Ora e data] appare sul display e [◀◀◀►►►] lampeggia.

4 Premere il tasto ►►► o ◀◀◀ per selezionare la voce da impostare..  
• Selezionare la voce da "Mese", "Data", "Anno", "Ora" e "Minuto" con un punto lampeggiante.

5 Premere il tasto + o - per impostare.  
• Seguire gli stessi passi premendo il pulsante ►►►|◀◀◀ per selezionare la voce successiva e premere il pulsante + o - per impostare.

6 Premere il tasto PLAY/OK (►) per completare la schermata delle impostazioni.  
• L'orologio parte dalla data e dall'ora impostate.  
• Premere il tasto PLAY/OK (►) in base al segnale orario.

7 Premere il tasto STOP (■) per chiudere la modalità menu.

#### Note sulle cartelle (fig. 4)

Il registratore dispone di cinque cartelle, [A], [B], [C], [D] e [E]. Per cambiare la selezione delle cartelle, premere il tasto FOLDER/INDEX mentre il registratore è fermo. È possibile registrare in ogni cartella fino a 200 file.

① Cartella corrente

#### Registrazione (fig. 5)

1 Premere il tasto FOLDER/INDEX per selezionare la cartella desiderata.

2 Premere il tasto REC (●) per iniziare la registrazione.  
• La spia diventa rossa e la registrazione inizia.

3 Premere il tasto STOP (■) per terminare la registrazione.  
• Le registrazioni nuove vengono memorizzate come ultimo file nella cartella.

- ① Cartella corrente
- ② Modalità registrazione corrente
- ③ Numero file corrente
- ④ Tempo di registrazione
- ⑤ Secondi a disposizione
- ⑥ Misurazione livello registrazione

#### Riproduzione (fig. 6)

1 Premere il tasto FOLDER/INDEX per selezionare la cartella desiderata.

2 Premere il tasto ►►► o ◀◀◀ per selezionare il file da riprodurre.

3 Premere il tasto PLAY/OK (►) per avviare la riproduzione.  
• La spia indicatrice di registrazione/riproduzione diventa verde e il tempo di riproduzione trascorso viene indicato sul display.

4 Premere il tasto + o - per selezionare il volume audio adeguato.  
• Il display visualizza il livello del volume. Si può regolare tra [00] e [30].  
① Numero file corrente  
② Tempo di riproduzione

Per fermare: (fig. 7)

Premere il tasto STOP (■).

• Il registratore si ferma nel mezzo del file riprodotto.

#### Erase

Cancelazione di un file per volta (fig. 8)

1 Premere il tasto FOLDER/INDEX per selezionare la cartella.

2 Premere il tasto ►►► o ◀◀◀ per selezionare il file da cancellare.  
① File da cancellare

3 Premere il tasto ERASE (●).

4 Premere il tasto ►►► per selezionare [Inizio].

5 Premere il tasto PLAY/OK (►).

Cancelazione di tutti i file da una cartella (fig. 9)

1 Premere il tasto FOLDER/INDEX per selezionare la cartella da cancellare.  
① Cartella da cancellare

2 Premere il tasto ERASE (●) due volte.

3 Premere il tasto ►►► per selezionare [Inizio].

4 Premere il tasto PLAY/OK (►).

Note:

- Una volta cancellato, il file non può essere recuperato.
- I file con il blocco cancellazione impostato non vengono cancellati.

- Il completamento della cancellazione può durare diversi secondi. Non rimuovere, sostituire la batteria o eseguire altre funzioni sul registratore in questo periodo per non danneggiare i dati.

#### Altre funzioni

Connessione al PC (fig. 10)

Questa unità oltre a essere usata come registratore può essere utilizzata come memoria esterna per il proprio computer, come dispositivo di stoccaggio.

• I file audio registrati possono essere riprodotti sul proprio computer utilizzando Windows Media Player. È inoltre possibile trasferire i file WMA scaricati con Windows Media Player sul registratore e ascoltarli (esclusi i file con protezione del copyright).

1 Collegare l'ingresso USB del registratore a una porta USB del PC o a un hub USB.

- Una volta visualizzato [Collegato] è possibile memorizzare o leggere i dati.

2 Trasferire i file audio nel computer.

- Collegare il registratore al computer e avviare Esplora risorse.
- Il registratore viene riconosciuto come disco rimovibile.
- Ognuna delle cinque cartelle viene nominata come DSS\_FLDA, B, C, D e E. I file audio sono memorizzati in queste cartelle.
- Tutti gli audio file registrati da questo registratore saranno in formato WMA.

ossia:  
VN-6500PC: VN\_650001.WMA  
VN-5500PC: VN\_550001.WMA  
VN-3500PC: VN\_350001.WMA

- Se si utilizza Windows 2000, Windows Media Player deve essere installato sul PC.

3 Fare clic su [■] nella barra delle applicazioni nell'angolo inferiore destro dello schermo. Fare clic su [Rimozione sicura dell'hardware].

- ① Ingresso USB
- ② Invio dati
- ③ Ricezione dati

## Utilizzo del registratore sul PC

<b>Windows</b>	<b>Sistema operativo:</b> Microsoft Windows 2000/XP/Vista (installazione standard)
	<b>PC compatibili:</b> PC Windows con piú porte USB libere
<b>Macintosh</b>	<b>Sistema operativo:</b> Mac OS X 10.2,8 ~ 10.5 (installazione standard)
	<b>PC compatibili:</b> Serie Apple Macintosh con piú porte USB libere

Il servizio di assistenza non copre i PC che sono stati aggiornati da Windows 95 o 98 a Windows 2000/XP/Vista. Eventuali guasti su PC modificati dall'utente non saranno coperti dalla garanzia operativa.

### Note:

- MAI disconnettere l'USB mentre la spia di registrazione/riproduzione lampeggia in colore rosso. In caso contrario, i dati possono venire persi.
- Consultate il manuale d'uso del PC relativamente alla porta USB o all'hub USB.
- Poichè i rumori possono causare effetti avversi su dispositivi elettronici vicini al registratore, scollegare gli auricolari quando si collega il registratore a un PC.

## Regole generali

Leggere attentamente questo manuale per operare in modo sicuro e corretto. Conservare il manuale in un posto facilmente accessibile per riferimento futuro.

- I simboli di avvertenza indicano importanti informazioni relative alla sicurezza. Per proteggere se stessi e altri da infortuni, lesioni personali o danni a cose, è essenziale leggere le avvertenze e le informazioni fornite.

## Avvertenze riguardanti la perdita di dati:

- Contenuti registrati nella memoria possono venire persi o cancellati a causa di errori operativi, malfunzionamento dell'unità o durante lavori di riparazione.
- Si consiglia di annotarsi i contenuti registrati importanti o di effettuare una copia dei dati scaricandoli su un PC.
- Olympus non si assume la responsabilità per danni passivi o danni di qualsiasi tipo causati dalla perdita di dati dovuta a un difetto del prodotto, a riparazioni eseguite da terzi e non svolte da personale Olympus o da punti di assistenza Olympus autorizzati, o dovuti a qualsiasi altra ragione.

## Per un uso corretto e sicuro

- Utilizzate le cuffie solo dopo aver sufficientemente ridotto il volume, in caso contrario potrebbero verificarsi problemi all'udito.
- Non utilizzate le cuffie ad alto volume per lunghi periodi di tempo per evitare problemi all'udito.
- Arrestare il registratore prima di sostituire le batterie. Se si rimuovono le batterie mentre il registratore è in uso si potrebbe danneggiare il file.
- Non lasciare il registratore in luoghi caldi e umidi come ad esempio in un'auto chiusa sotto luce diretta del sole o in spiaggia d'estate.
- Non riporre il registratore in luoghi esposti a umidità e polvere eccessive.
- Non utilizzare solventi organici come ad esempio alcool e diluente per pulire l'unità.
- Non appoggiare il registratore sopra o vicino apparecchi elettrici come ad esempio televisioni o frigoriferi.
- Evitare di registrare o riprodurre vicino a telefoni cellulari o altri apparecchiature senza filo, potrebbero causare interferenze e rumore. In caso di rumore, spostarsi in un altro luogo o tenere il registratore lontano da queste apparecchiature.
- Evitare sabbia o sporco che possono causare danni irreparabili.
- Evitare forti vibrazioni o urti.
- Non smontare, riparare o modificare l'unità.

- Non utilizzare l'unità mentre si usa un veicolo (come ad es. bicicletta, moto o go-cart).
- Tenere l'unità fuori dalla portata dei bambini.

## Batteria

### ⚠ Avvertenze:

- In nessuna circostanza inserire altri pezzi diversi dall'unità centrale nel vano batteria. Ciò potrebbe causare una perdita di liquido delle batterie, un surriscaldamento, un incendio o un'esplosione.
- Le batterie non devono mai essere esposte a fiamme, riscaldate, cortocircuitate o smontate.
- Non tentare di ricaricare batterie alcaline, al litio o altri tipi di batterie non ricaricabili.
- Non utilizzare mai batterie con rivestimento esterno danneggiato o crepato.
- Tenere le batterie fuori dalla portata dei bambini.
- Se si nota qualcosa di inusuale mentre si usa questo prodotto come ad es. rumore anomalo, calore, fumo oppure odore di bruciato:
  - ① rimuovere la batteria immediatamente facendo attenzione a non bruciarci e;
  - ② chiamare il proprio rivenditore o rappresentante locale Olympus per la manutenzione.

## Caratteristiche tecniche

### Supporto di registrazione:

Memoria flash integrata

### Frequenza globale:

**VN-6500PC, VN-5500PC:**

Modalità HQ: da 200 a 13.000 Hz

Modalità SQ: da 200 a 7.000 Hz

Modalità LP: da 200 a 3.000 Hz

**VN-3500PC:**

Modalità HQ: da 200 a 13.000 Hz

Modalità SQ: da 200 a 7.000 Hz

Modalità LP: da 200 a 3.000 Hz

### Tempo di registrazione:

**VN-6500PC, VN-5500PC: 512 MB**

Modalità HQ: circa 35 ore 20 minuti

Modalità SP: circa 69 ore 35 minuti

Modalità LP: Circa 221 ore 30 minuti

**VN-3500PC: 128 MB**

Modalità HQ: circa 8 ore 40 minuti

Modalità SP: circa 17 ore 10 minuti

Modalità LP: Circa 54 ore 40 minuti



- I tempi di registrazione specificati indicano il tempo dopo eliminazione dei dati del manuale memorizzati nel registratore.
- I dati del manuale possono essere eliminati tramite connessione a un computer ed eliminandoli oppure formattando il registratore. Per informazioni, consultare **"Formattazione del registratore [Format]"**.
- Prima di eliminare i dati, eseguire una copia di backup del file o dei dati PDF del manuale.

#### **Microfono:**

Microfono Electret Condenser (mono)

#### **Altoparlante:**

altoparlante dinamico rotondo ø 23 mm integrato

#### **Potenza massima:**

250 mW

#### **Uscita max cuffie:**

≤ 150 mV

(in base a EN 50332-2)

#### **Jack auricolari (mono):**

diametro ø 3,5 mm, impedenza 8 Ω

#### **Jack microfono (mono):**

diametro ø 3,5 mm, impedenza 2 kΩ

#### **Alimentazione:**

due batterie AAA (LR03) o due batterie ricaricabili Ni-MH

#### **Batteria continua:**

Batterie alcaline:

circa 37 ore

Batterie ricaricabili Ni-MH:

circa 25 ore

#### **Dimensioni:**

102 (L) mm x 37 (A) mm x 18,8 (P) mm (senza le parti sporgenti)

#### **Massa:** 64,8 g (inclusa la batteria)

- La durata delle batterie è misurata da Olympus. Varia notevolmente secondo il tipo di batteria usata e secondo le condizioni di utilizzo.
- I contenuti registrati sono solo per uso personale. È proibito registrare materiale con copyright senza permesso del proprietario del copyright secondo le leggi di copyright.
- Le caratteristiche tecniche e il design sono soggetti a modifica senza obbligo di preavviso.

## **Accessori (opzionali)**

#### **Caricatore batteria Ni-MH**

**ricaricabile:** BU-400 (solo Europa)

#### **Batteria Ni-MH ricaricabile:**

BR401

#### **Cavo di collegamento (jack per auricolari ↔ jack per microfono):**

KA333

#### **Microfono con cancellazione**

**di rumori:** ME52

#### **Microfono electret condenser:**

ME15

#### **Doppio auricolare mono:** E20

#### **Captatore telefonico:** TP7

#### **Tracolla:** ST26



Il marchio "CE" indica che il prodotto è conforme ai requisiti europei sulla sicurezza, sull'ambiente e sulla salute e protezione del consumatore.



Questo simbolo [cassonetto con ruote, barrato, WEEE Allegato IV] indica la raccolta differenziata di apparecchiature elettriche ed elettroniche nei paesi dell'UE.



Non gettate l'apparecchio nei rifiuti domestici. Usate i sistemi di raccolta rifiuti disponibili nel vostro paese.

Prodotto applicabile: VN-6500PC, VN-5500PC, VN-3500PC



Questo simbolo [cassonetto con ruote, barrato, Direttiva 2006/66/EC Allegato II] indica la raccolta differenziata di batterie

usate nei paesi dell'UE. Non gettate le batterie nei rifiuti domestici. Usate i sistemi di raccolta rifiuti disponibili nel vostro paese.

- Šioje instrukcijoje pateikiama tik pagrindinė informacija. Žr. išplėstinę instrukciją, kurią rasite aplanke **[OL MANUAL]** arba galite atsisųsti iš „OLYMPUS“ interneto svetainės.
- Šio dokumento turinys gali būti keičiamas iš anksto neįspėjus. Norėdami gauti naujausios informacijos apie gaminių pavadinimus ir modelių numerius, kreipkitės į mūsų pagalbos klientams centra.
- Siekiant užtikrinti šio dokumento turinio vientisumą, buvo dedamos visos pastangos. Susidūrus su abejotina informacija, klaida arba informacijos praleidimu (mažai tikėtina), prašome kreiptis į pagalbos klientams centra.
- „Olympus“ neprisiima jokios atsakomybės už netiesioginę žalą ar bet kokius nuostolius, atsiradusius dėl duomenų praradimo, susijusių su šio gaminio pažeidimais, sukeltais trečiųjų asmenų atlikto remonto (išskyrus atlikto „Olympus“ arba „Olympus“ įgaliotų techninės priežiūros tarnybų) ar kokių nors kitų priežasčių.

**Prekių ženklai ir registruotieji prekių ženklai:**

- „Microsoft“, „Windows“ ir „Windows Media“ yra registruotieji „Microsoft Corporation“ prekių ženklai.
- „Macintosh“ yra „Apple Inc.“ prekių ženklas.



**Saugus ir tinkamas naudojimas**

Prieš pradėdami naudoti naują diktofoną, atidžiai perskaitykite šią naudojimo instrukciją, kad žinotumėte, kaip saugiai ir tinkamai naudoti prietaisą. Saugokite šią instrukciją, kad galėtumėte ja pasinaudoti ateityje.

- Įspėjamaisiais simboliais žymima svarbi saugos informacija. Norėdami apsaugoti kitus ir save nuo sužeidimų ar žalos nuosavybei, būtinai perskaitykite įspėjimus ir pateiktą informaciją.

**Nuo ko pradėti**

**Dalių aprašymas**

- 1 Vidinis mikrofonas
  - 2 MIC (mikrofono) lizdas
  - 3 Jungiklis HOLD
  - 4 USB jungtis
  - 5 Mygtukas STOP (■)
  - 6 Mygtukas PLAY/OK (▶)
  - 7 Mygtukas |◀◀ (atsukimas atgal)
  - 8 Baterijų skyrelis
  - 9 Mygtukas FOLDER/INDEX
  - 10 EAR (ausinių) lizdas
  - 11 Skystųjų kristalų ekranėlis
  - 12 Įrašymo/atkūrimo režimo indikatorius lemputė
  - 13 Mygtukas REC (●)
  - 14 Mygtukas +
  - 15 Mygtukas ▶▶▶ (greitas persukimas pirmyn)
  - 16 Mygtukas –
  - 17 Mygtukas DISP/MENU
  - 18 Mygtukas ERASE (●)
  - 19 Dirželio kilputė
- Dirželis su diktofonu nepateikiamas, jį reikia įsigyti atskirai.

**Skystųjų kristalų ekranėlis:**

- 1 Aplanko indikatorius
- 2 [🔊] Mikrofono jautrio indikatorius
- [🔊] Žemųjų dažnių filtro indikatorius \*
- [VOLUME] Balsu valdomo įrašymo indikatorius
- [HQ SP LP] Įrašymo režimo indikatorius
- [🔊] Greitojo atkūrimo indikatorius
- [🔊] Lėtojo atkūrimo indikatorius
- [C] Atkūrimo kartojant segmentą indikatorius\*

- 3 Rodyklės indikatorius
- 4 Informacijos sritis
- 5 Įrašymo lygio matuoklis
- 6 Baterijų indikatorius
- 7 Apsaugos nuo ištrynimo indikatorius
- 8 Esamo failo numeris

\* Tik VN-6500PC.

**Baterijų dėjimas (1 pav.)**

- 1 Lengvai paspauskite rodykle pažymėta vietą ir stumdami dangtelį atidarykite baterijų skyrelį.
- 2 Paisydami poliškumo, įdėkite dvi AAA šarmines baterijas.
- 3 Iki galo uždarykite baterijų skyrelio dangtelį.
  - Kai jungiklis HOLD nustatytas rodyklės kryptimi, pasirodžius užrašui [HOLD] išjungiamas ekranėlis. To nepaisydami, pakeikite prie kito etapo.

Diktofone galima naudoti atskirai įsigijama „Olympus“ Ni-MH akumuliatorių (BR401).

**Baterijų keitimas:**

Ekranėlyje pasirodžius ženklui [🔋], kuo skubiau pakeiskite baterijas. Rekomenduojama naudoti AAA šarmines baterijas. Išsekus baterijoms, ekranėlyje rodomas ženklas [🔋] ir diktofonas išjungiamas.

- Prieš keisdami baterijas pasirūpinkite, kad jungiklis „HOLD“ būtų perjungtas rodyklei priešinga kryptimi.

**Maitinimo šaltinis (2 pav.)**

**Kaip įjungti:**

Pastumkite jungiklį HOLD rodyklei priešinga kryptimi.

**Kaip išjungti:**

Kai nesinaudojate diktofonu, pastumkite jungiklį HOLD rodyklės kryptimi.

**Parengties režimas ir ekranėlio išjungimas:**

Jeigu atkuriant arba įrašant diktofonas 5 minutėms arba ilgiau sustabdomas, įjungiamas parengties (energijos taupymo) režimas ir išjungiamas ekranėlis. Norėdami išjungti parengties režimą ir įjungti ekranėlį, spustelėkite bet kurį mygtuką.

**Laiko ir datos nustatymas [Time & Date] (3 pav.)**

Pirmą kartą įdėjus arba kiekvieną kartą pakeitus baterijas, blyksi indikatorius „Mėnesį“. Tokiu atveju, atlikdami toliau aprašytus 4–6 veiksmus, nustatykite laiką ir datą.

- 1 1 sekundę ar ilgiau palaikydami nuspausť mygtuką DISP/MENU, įjunkite pagrindinį meniu.
- 2 Spustelėdami mygtuką ▶▶▶ arba |◀◀ pasirinkite [Sub Menu].

- 3 Spustelėkite mygtuką PLAY/OK (▶).**
- Ekranelyje rodomas užrašas [Time & Date] ir blyksni ženklas [◀◀▶▶▶▶▶▶▶▶▶].
- 4 Spustelėdami mygtuką ▶▶▶I arba I◀◀▶ pasirinkite elementą, kurį nustatysite**

- Blyksničių taškų pasirinkite „Mėnesį“, „Dieną“, „Metus“, „Valandą“ arba „Minutę“.

- 5 Mygtuku + arba – nustatykite reikiamą reikšmę.**

- Mygtuku ▶▶▶I arba I◀◀▶ pasirinkite kitą elementą ir mygtuku + arba – nustatykite jo reikšmę.

- 6 Norėdami uždaryti sąraškos langą, spustelėkite mygtuką PLAY/OK (▶).**

- Laikrodys rodytų nustatytą datą ir laikrą.
- Pagal laiko signalą spustelėkite mygtuką PLAY/OK (▶).

- 7 Norėdami išjungti meniu režimą, spustelėkite mygtuką STOP (■).**

#### **Pastabos dėl aplankų (4 pav.)**

Diktofone yra penki aplankai: [A], [B], [C], [D] ir [E]. Norėdami pasirinkti kitą aplanką, sustabdę diktofoną spustelėkite mygtuką **FOLDER/INDEX**. Kiekviename aplanke galima saugoti daugiausia 200 failų.

- ① Esamas aplankas

#### **Irašymas (5 pav.)**

- 1 Spustelėdami mygtuką FOLDER/INDEX, pasirinkite reikiamą aplanką.**

- 2 Spustelėdami mygtuką REC (●), pradėkite įrašinėti.**

- Įrašymo / atkūrimo indikatorius lemputė įsijiebia raudona spalva ir pradedamas įrašymo procesas.

- 3 Norėdami baigti įrašinėti, spustelėkite mygtuką STOP (■).**

- Naujas įrašas įrašomas pasirinkto aplanko failų sąrašo pabaigoje.

- ① Esamas aplankas
- ② Esamas įrašymo režimas.
- ③ Esamas failo numeris.
- ④ Įrašymo trukmė.
- ⑤ Likęs įrašymo laikas.
- ⑥ Įrašymo lygio matuoklis.

### **Atkūrimas (6 pav.)**

- 1 Spustelėdami mygtuką FOLDER/INDEX, pasirinkite reikiamą aplanką.**

- 2 Spustelėdami mygtuką ▶▶▶I arba I◀◀▶ pasirinkite atkurtiną failą.**

- 3 Spustelėdami mygtuką PLAY/OK (▶), pradėkite atkurti.**

- Įrašymo / atkūrimo indikatorius įsijiebia žalia šviesa, ekranelyje rodoma praėjusi atkūrimo trukmė.

- 4 Spustelėdami mygtuką + arba –, pasirinkite reikiamą garsumą.**

- Ekranelyje rodomas garso lygis. Galite rinktis nuo [00] iki [30].

- ① Esamo failo numeris
- ② Atkūrimo trukmė

#### **Sustabdymas (7 pav.)**

Spustelėkite mygtuką **STOP (■)**.

- Esamo failo atkūrimas iškart nutraukiamas.

### **Šalinimas**

#### **Failų šalinimas po vieną (8 pav.)**

- 1 Spustelėdami mygtuką FOLDER/INDEX, pasirinkite reikiamą aplanką.**

- 2 Spustelėdami mygtuką ▶▶▶I arba I◀◀▶ pasirinkite šalintiną failą.**

① Šalintinas failas

- 3 Spustelėkite mygtuką ERASE (●).**

- 4 Spustelėdami mygtuką ▶▶▶I, pasirinkite [Start].**

- 5 Spustelėkite mygtuką PLAY/OK (▶).**

#### **Visų aplanko failų trynimas (9 pav.)**

- 1 Spustelėdami mygtuką FOLDER/INDEX, pasirinkite šalintiną aplanką.**

① Šalintinas aplankas

- 2 Dukt spustelėkite mygtuką ERASE (●).**

- 3 Spustelėdami mygtuką ▶▶▶I, pasirinkite [Start].**

- 4 Spustelėkite mygtuką PLAY/OK (▶).**

**Pastabos:**

- Pašalinto failo atkurti negalima.
- Nuo šalinimo apsaugoti failai nešalinami.

- Failų šalinimo procesas gali trukti keletą sekundžių. Tuo metu neišimkite ir nekeiskite baterijų, nesinaudokite kitomis diktofono funkcijomis, antraip galite sugadinti duomenis.

### **Kitos funkcijos**

#### **Jungimas prie kompiuterio (10 pav.)**

Šį prietaisą galite naudoti ne tik kaip diktofoną, bet ir kaip kompiuterio išorinę atmintinę duomenims įrašyti ir saugoti.

- Diktofono įrašytus failus galima atkurti kompiuteriu, programa „Windows Media Player“. Programa „Windows Media Player“ atsiųsytus WMA failus taip pat galima perkelti į diktofoną ir juo atkurti (išskyrus autorių teisėmis saugomus failus).

- 1 Diktofono USB jungtį prijunkite prie kompiuterio USB jungties arba USB koncentratoriaus.**

- Pasirodžius užrašui [Remote], galite įrašyti ar skaityti duomenis.

- 2 Garso failų perkėlimas į kompiuterį.**

- Prijunkite diktofoną prie kompiuterio ir paleiskite programą „Explorer“.

- Diktofonas atpažįstamas kaip keičiamasis diskas.

- Kiekvieno iš penkių aplankų pavadinimas yra DSS\_F LDA, B, C, D ir E. Šiuose aplanuose saugomi garso failai.

- Visi šiuo diktofonu įrašyti garso failai yra WMA formato.

Pvz.:

VN-6500PC: VN\_650001.WMA  
 VN-5500PC: VN\_550001.WMA  
 VN-3500PC: VN\_350001.WMA

- Jeigu naudojate „Windows 2000“, kompiuteryje turi būti įdiegta programa „Windows Media Player“.

- 3 Ekranėlio apatiniame dešiniame kampe, užduočių juostoje, spustelėkite piktogramą (■). Spustelėkite [Saugus aparatūros šalinimas].**

① USB jungtis

② Siunčiami duomenys

③ Gaunami duomenys

## Diktofono naudojimas su kompiuteriu

<b>„Windows“</b>	<b>Operacinė sistema:</b> „Microsoft Windows 2000 / XP / Vista“ (standartinis diegimas) <b>Suderinami kompiuteriai:</b> Kompiuteriai su sistema „Windows“ ir daugiau kaip viena laisva USB jungtimi.
<b>„Macintosh“</b>	<b>Operacinė sistema:</b> Mac OS X 10.2.8 ~ 10.5 (standartinis diegimas) <b>Suderinami kompiuteriai:</b> „Apple Macintosh“ serija su daugiau nei vienu laisvu USB lizdu

Jeigu kompiuteris atnaujintas iš sistemos „Windows 95“ arba 98 į „Windows 2000“ / „XP“ / „Vista“, pagalba neteikiama. Veiklos garantija netaikoma, jeigu aparatas tinkamai neveikia su kompiuteriu, kurį modifikavo naudotojas.

### Pastabos:

- Jei blyksni raudona įrašymo / atkūrimo indikatorius lemputė, GRIEŽTAI DRAUDŽIAMA atjungti USB laidą, antraip gali būti prarasti duomenys.
- Dėl savo kompiuterio USB jungties arba koncentratoriaus žr. kompiuterio naudojimo instrukciją.
- Kadangi trikdžiai gali turėti neigiamą poveikį elektros prietaisams, esantiems netoli diktofono, išjunkite ausines, kai jungiate jį prie kompiuterio.

## Bendros atsargumo priemonės

Atidžiai perskaitykite šią naudojimo instrukciją, kad žinotumėte, kaip saugiai ir tinkamai naudoti prietaisą. Saugokite šią instrukciją, kad galėtumėte ją pasinaudoti ateityje.

- Įspėjamaisiais simboliais žymima svarbi saugos informacija. Norėdami apsaugoti kitus ir save nuo sužeidimų ar žalos nuosavybei, būtinai perskaitykite įspėjimus ir pateiktą informaciją.

### Įspėjimas dėl duomenų praradimo:

- Atmintyje įrašytas turinys gali būti sunaikintas arba ištrintas, jei prietaisas naudojamas netinkamai, sutrikus jo funkcijoms arba jį taisant.

- Rekomenduojama svarbius įrašytus duomenis perrašyti kitoje vietoje arba padaryti atsarginę kopiją kompiuteriye.
- „Olympus“ neprisiima jokios atsakomybės dėl netiesioginės žalos arba kitokių nuostolių, atsiradusių dėl duomenų praradimo, susijusio su šio gaminio defektais, dėl trečiųjų asmenų atlikto remonto (išskyrus atlikto „Olympus“ arba „Olympus“ įgaliotų aptarnavimo įmonių) arba dėl kokių nors kitų priežasčių.

## Saugus ir tinkamas naudojimas

- Prieš naudodamiesi ausinėmis, pakankamai sumažinkite jų garso lygį, antraip galite pakenkti klausai ir (arba) pažeisti klausos organus.
- Ilgą laiką klausydami iš ausinių sklindančio stipraus garso galite pakenkti klausai ir (arba) pažeisti klausos organus.
- Prieš keisdami baterijas, būtinai išjunkite diktofoną. Jei baterijas imsite, kai diktofonas veikia, galite sugadinti rinkmeną.
- Nepalikite diktofono karštose ir drėgnose vietose, pvz., uždarytame automobilyje tiesioginiuose saulės spinduliuose arba vasarą paplūdimyje.
- Nelaikykite diktofono vietoje, kuriose daug drėgmės ar dulkių.
- Nenaudokite organinių tirpiklių, pvz., alkoholio ir lako skiediklio, prietaisui valyti.
- Nedėkite diktofono ant arba netoli elektrinių prietaisų, pvz., televizoriaus ar šaldytuvo.
- Neįrašinėkite ir neatkurkite įrašo netoli mobiliųjų telefonų arba kitų belaidžių prietaisų, nes jie gali sukelti trikdžius ir triukšmą. Jei girdite triukšmą, pereikite į kitą vietą arba laikykite diktofoną toliau nuo šių prietaisų.
- Saugokite prietaisą nuo smėlio ir purvo. Jie gali nepataisomai sugadinti prietaisą.
- Saugokite prietaisą nuo vibracijos ir smūgių.
- Patys prietaiso neardykite, netaisykite ir nekeiskite.
- Nenaudokite prietaiso valdydami transporto priemonę (pvz., dviratį, motociklą ar gokartą).
- Saugokite prietaisą nuo vaikų.

## Baterijos

### ⚠ Įspėjimas:

- Į baterijų skyrelį griežtai draudžiama dėti bet kokias dalis, išskyrus pagrindinį bloką. Nesilaikant šio nurodymo, iš baterijų gali iškelti elektrolitas, jos gali perkaisti, užsidegti arba sprogti.
- Niekada nemeskite baterijų į ugnį, jų nekaitinkite, saugokite nuo trumpojo jungimo ir neardykite.
- Nemėginkite įkrauti šarminių, ličio ar kitų neįkraunamų baterijų.
- Niekada nenaudokite maintenance elementų su nuplėsta ar įtruktusia išorine danga.
- Baterijas laikykite vaikams neprieinamoje vietoje.
- Jei naudodami išjrenginį pastebėjote ką nors neįprasto, pavyzdžiui, neprastą triukšmą, kaitimą, dūmus ar degėsių kvapą:
  - ① nedelsdami išimkite baterijas , saugodamiesi, kad nesusidignitumėte, ir
  - ② kreipkitės į pardavėją arba vietinį „Olympus“ atstovą, kad patikrintų gaminį.

## Techniniai duomenys

### Įrašymo laikmena

Vidinė atmintinė.

### Bendrasis dažnių diapazonas

**VN-6500PC, VN-5500PC**

HQ režimas: 200–13.000 Hz.

SQ režimas: 200–7.000 Hz.

LP režimas: 200–3.000 Hz.

**VN-3500PC**

HQ režimas: 200–13.000 Hz.

SQ režimas: 200–7.000 Hz.

LP režimas: 200–3.000 Hz.

### Įrašymo trukmė

**VN-6500PC, VN-5500PC: 512 MB**

HQ režimas: maždaug 35 val. 20 min.

SP režimas: maždaug 69 val. 35 min.

LP režimas: maždaug 221 val. 30 min.

**VN-3500PC: 128 MB**

HQ režimas: maždaug 8 val. 40 min.

SP režimas: maždaug 17 val. 10 min.

LP režimas: maždaug 54 val. 40 min.

- Nurodyta įrašymo trukmė – tai trukmė, pašalinus diktofono įrašytus instrukcijos duomenis.

- Instrukcijos duomenis galima panaikinti, prijungus diktofoną prie kompiuterio ir pašalinus duomenis arba suformatavus diktofoną, žr. skyrių „**Diktofono formatavimas [Format]**“.
- Prieš šalindami duomenis, padarykite instrukcijos PDF failo atsarginę kopiją.

#### **Mikrofonas:**

Elektretinis kondensatorinis mikrofonas (monofoninis).

#### **Garsiakalbis:**

Vidinis 23 mm skersmens apvalus dinaminis garsiakalbis.

#### **Didžiausias galingumas:**

250 mW

#### **Didžiausia ausinių išvestis:**

≤ 150 mV

(pagal EN 50332-2)

#### **Ausinių lizdas (monofoninis):**

3,5 mm skersmens, pilnutinė varža 8 kΩ.

#### **Mikrofono lizdas (monofoninis):**

3,5 mm skersmens, pilnutinė varža 2 kΩ.

#### **Maitinimo šaltinis:**

Dvi AAA baterijos (LR03) arba du Ni-MH akumuliatoriai.

#### **Nuolatinės veiklos trukmė naudojant baterijas:**

Sarminės baterijos:  
maždaug 37 val.

Ni-MH akumuliatoriai:  
maždaug 25 val.

#### **Matmenys:**

102 (I) mm x 37 (P) mm x 18,8 (S) mm  
(be išsikišimų).

#### **Svoris:** 64,8 g (su baterijomis).

- Veiklos trukmė naudojant baterijas išmatuota „Olympus“. Ji labai priklauso nuo naudojamų baterijų tipo ir naudojimo sąlygų.
- Įrašyti duomenys skirti tik asmeniniam arba laisvalaikio naudojimui. Pagal autorių teisių apsaugos teisės aktus be autorių teisių turėtojų leidimo draudžiama įrašyti autorių teisių saugomą medžiagą.
- Tobulinant prietaisą, jo techniniai duomenys ir dizainas gali būti keičiami iš anksto neįspėjus.

## **Priedai (įsigijami atskirai)**

#### **Ni-MH akumuliatorių kroviklis:**

BU-400 (tik Europoje).

#### **Ni-MH akumuliatoriaus:**

BR401

#### **Jungiamasis laidas (ausinių ↔ mikrofono lizdui):** KA333

#### **Triukšmą slopinantis mikrofonas:**

ME52

#### **Elektretinis kondensatorinis mikrofonas:**

ME15

#### **Sudvejintos monofoninės ausinės:**

E20

#### **Telefono atsakiklis:** TP7

#### **Kaklo dirželis:** ST26



Ženklas „CE“ nurodo, kad šis gaminytis atitinka Europos saugos, sveikatos, aplinkosaugos ir vartotojų apsaugos reikalavimus.



Šiuo simboliu [užbraukta šiukšlių dėžė su ratukais – EE] atliekų dir., IV priedas] nurodoma, kad elektros ir elektronikos įrangos atliekos ES šalyse turi būti surenkamos atskirai nuo buitinių atliekų.

Nemeskite šių prietaisų į namų šiukšlių dėžes. Norėdami išmesti šį gaminį, pasinaudokite grąžinimo ir surinkimo sistemų paslaugomis savo šalyje.

Taikoma gaminiui: VN-6500PC, VN-5500PC, VN-3500PC



Šiuo simboliu [užbraukta šiukšlių dėžė su ratukais – direktyvos 2006/66/EEB II priedas] nurodoma, kad panaudoti akumuliatoriai ES šalyse turi būti surenkami atskirai nuo buitinių atliekų.

Nemeskite akumuliatorių į namų šiukšlių dėžes. Norėdami išmesti akumuliatorius, pasinaudokite grąžinimo ir surinkimo sistemų paslaugomis savo šalyje.

## LV Ievads

- Šī rokasgrāmata ir pamata versija. Lūdzu skatīt pilno uzlaboto rokasgrāmatu diktofona saglabāto datu mapē [OL MANUAL] vai lejupielādējiet datus no OLYMPUS tīmekļa vietnes.
- Šī dokumenta saturs turpmāk var tikt mainīts bez iepriekšēja paziņojuma. Lai saņemtu jaunāko informāciju par preču nosaukumiem un modeļu numuriem, sazinieties ar mūsu Klientu atbalsta centru.
- Dokumenta saturs ir rūpīgi pārbaudīts, lai nodrošinātu tā integritāti. Ja tomēr konstatējat kādu nesaprotamu daļu, kļūdu vai izlaidumu, sazinieties ar mūsu Klientu atbalsta centru.
- Olympus neuzņemas atbildību par pasīviem zaudējumiem vai jebkāda cita veida zaudējumiem, kas radušies datu zuduma rezultātā iekārtas defekta dēļ, remonta rezultātā, ko veikušas trešās personas, nevis Olympus vai Olympus autorizēti servisa centri, vai jebkādu citu iemeslu dēļ.

### Preču zīmes un reģistrētas preču zīmes:

- Microsoft, Windows un Windows Media ir Microsoft Corporation reģistrētas preču zīmes.
- Macintosh ir Apple Inc preču zīme.



### Droša un pareiza izmantošana

Pirms jaunā diktofona lietošanas rūpīgi izlasiet šo pamācību, lai pārliecinātos, ka jūs to lietojat droši un pareizi. Uzglabājiet šo pamācību viegli pieejamā vietā turpmākai izmantošanai.

- Bridinājuma simboli norāda uz svarīgu informāciju par drošību. Lai pasargātu sevi un citus no traumām vai īpašuma bojājumiem, ir būtiski, lai jūs vienmēr izlasītu bridinājumus un pievienoto informāciju.

## Eksploatācijas uzsākšana

### Sastāvdaļu uzskaitījums

- 1 Iebūvēts mikrofons
- 2 MIC (mikrofons) ligzda
- 3 Slēdzis HOLD
- 4 USB pieslēgvietā

- 5 Poga STOP (■)
- 6 Poga PLAY/OK (▶)
- 7 Poga I◀◀ (pāreja atpakaļ)
- 8 Bateriju vāciņš
- 9 Poga FOLDER/INDEX
- 10 EAR (austiņas) ligzda
- 11 Displejs (LCD panelis)
- 12 Ierakstīšanas/atkaņošanas indikatora lampiņa
- 13 Poga REC (●)
- 14 Poga +
- 15 Poga ▶▶I (ātra pāreja uz priekšu)
- 16 Poga –
- 17 Poga DISP/MENU
- 18 Poga ERASE (●)
- 19 Sīknsams atvere

- Sīknsams neietilpst komplektācijā.

Izmantojiet papildu piederumu.

### Displejs (LCD panelis):

- 1 Mapes indikators
- 2 Mikrofona jutības indikators
- 3 Zemas frekvences skaņu filtra indikators\*
- 4 Diktofona automātiskās balss vadības sistēmas indikators
- 5 Ierakstīšanas režīma indikators
- 6 Ātras atkaņošanas indikators
- 7 Lēnas atkaņošanas indikators
- 8 Segmenta atkārtotas atkaņošanas indikators\*

- 3 Veidņa indikators
- 4 Teksta informācijas displejs
- 5 Ierakstīšanas līmeņa mērītājs
- 6 Bateriju indikators
- 7 Dzešanas bloķēšanas indikators
- 8 Pašreizējā faila numurs

\* Tikai VN-6500PC.

### Bateriju ievietošana (Fig. 1)

- 1 Viegli piespiediet bultiņu un atveriet bateriju vāciņu.
- 2 Ievietojiet divas AAA izmēras sārma baterijas, ievērojot pareizo polaritāti.
- 3 Pilnībā aizveriet bateriju vāciņu.
  - Kad slēdzis HOLD ir iestatīts bultiņas virzienā, pēc [HOLD] parādīšanas displejs tiek

izslēgts. Pārejiet uz nākamo soli, to neņemot vērā.

Diktofonam var izmantot Olympus papildaprīkojuma NI-MH uzlādējamo akumulatoru (BR401).

### Bateriju nomaīna:

Kad displejā parādās ikona , nomainiet baterijas pēc iespējas ātrāk. Ieteicams izmantot AAA izmēra sārma baterijas. Kad baterijas ir izlietotas, displejā parādās ikona un diktofons izslēdzas.

- Pirms bateriju nomaīnas pārliecinieties, vai slēdzis HOLD ir iestatīts pretēji bultiņas virzienam.

### Strāvas padeve (Fig. 2)

**Strāvas padeve ieslēgta:**  
Bidiet slēdzi HOLD pretēji bultiņas norādītajam virzienam.

**Strāvas padeve izslēgta:**  
Kad diktofons netiek izmantots, bidiet slēdzi HOLD bultiņas norādītajā virzienā.

### Gaidīšanas režīms un displeja izslēgšana:

Ja ierakstīšanas vai atkaņošanas laikā diktofona darbība tiek apturēta uz 5 minūtēm vai ilgāk, tas pārslēdzas gaidīšanas (enerģijas taupīšanas) režīmā un displejs izslēdzas. Lai izietu no gaidīšanas režīma un ieslēgtu displeju, nospiediet jebkuru pogu.

### Laika un datuma iestatīšana [Time & Date] (Fig. 3)

Ievietojot baterijas pirmo reizi un katru reizi tās nomainot, mirgo rādījums "Month". Šādā gadījumā laiku un datumu iestatiet, veicot no 4 līdz 6 darbībai, kas norādītas turpmāk.

- 1 Lai atvērtu galveno izvēlni, nospiediet pogu DISP/MENU un turiet to 1 sekundi vai ilgāk.
- 2 Nospiediet pogu ▶▶I vai I◀◀, lai izvēlētos [Sub Menu].
- 3 Nospiediet pogu PLAY/OK (▶).
  - Displejā parādās [Time & Date] un mirgo .
- 4 Lai izvēlētos iestatāmo vienību, nospiediet pogu ▶▶I vai I◀◀.
  - Izmantojot mirgojošu punktu, izvēlieties vienību no "Month", "Day", "Year", "Hour" un "Minute".

## 5 Lai veiktu iestatīšanu, nospiediet pogu + vai –.

- Lai izvēlētos nākamo elementu, atkārtojiet šīs pašas darbības, nospiežot pogu ►► vai ◀◀, un pēc tam, lai veiktu iestatīšanu, nospiediet pogu + vai –.

## 6 Lai aizvērtu iestatīšanas ekrānu, nospiediet pogu PLAY/OK (►).

- Pulkstenis sāk skaitīt laiku no iestatītā datuma un laika.
- Nospiediet pogu PLAY/OK (►) saskaņā ar laika signālu.

## 7 Lai aizvērtu izvēlnes režīmu, nospiediet pogu STOP (■).

### Informācija par mapēm (Fig. 4.)

Diktofonā tiek piedāvātas piecas mapes: [A], [B], [C], [D] un [E]. Lai mainītu mapju izvēli, nospiediet pogu FOLDER/INDEX kad diktofons ir apturēts. Katrā mapē kopskaitā var ierakstīt līdz 200 failiem.

- 1 Pašreizējā mape

## Ierakstīšana (Fig. 5.)

### 1 Lai izvēlētos vajadzīgo mapi, nospiediet pogu FOLDER/INDEX.

### 2 Lai sāktu ierakstīšanu, nospiediet pogu REC (●).

- Ierakstīšanas/atkaņošanas indikatora lampiņa kļūst sarkana un tiek sākta ierakstīšana.

### 3 Lai apturētu ierakstīšanu, nospiediet pogu STOP (■).

- Jaunie ieraksti tiek saglabāti mapē kā pēdējais fails.

- 1 Pašreizējā mape
- 2 Pašreizējais ierakstīšanas režīms
- 3 Pašreizējā faila numurs
- 4 Ierakstīšanas laiks
- 5 Atlikušais ierakstīšanas laiks
- 6 Ierakstīšanas līmeņa mērītājs

## Atkaņošana (Fig. 6.)

### 1 Lai izvēlētos vajadzīgo mapi, nospiediet pogu FOLDER/INDEX.

### 2 Lai izvēlētos atskaņojamo failu, nospiediet pogu ►► vai ◀◀.

### 3 Lai sāktu atkaņošanu, nospiediet pogu PLAY/OK (►).

- Ierakstīšanas/atkaņošanas indikators kļūst zaļš un displejā tiek rādīts aizritējušais atkaņošanas laiks.

## 4 Lai izvēlētos atbilstošu skaņas stiprumu, nospiediet pogu + vai –.

- Displejā tiek rādīts skaļuma līmenis. Varat izvēlēties robežās no [00] līdz [30].

- 1 Pašreizējā faila numurs
- 2 Atkaņošanas laiks

### Lai apturētu: (Fig. 7.)

- Nospiediet pogu STOP (■).
- Diktoфона darbība tiek apturēta atskaņotā faila vidusdaļā.

## Dzēšana

### Viena faila dzēšana (Fig. 8.)

### 1 Lai izvēlētos mapi, nospiediet pogu FOLDER/INDEX.

### 2 Lai izvēlētos failu, kas jādzēš, nospiediet pogu ►► vai ◀◀.

- 1 Fails, kas jādzēš

### 3 Nospiediet pogu ERASE (●).

### 4 Lai izvēlētos [Start], nospiediet pogu ►►.

### 5 Nospiediet pogu PLAY/OK (►).

### Visu failu dzēšana no mapes (Fig. 9.)

### 1 Lai izvēlētos mapi, kas jādzēš, nospiediet pogu FOLDER/INDEX.

- 1 Mape, kas jādzēš

### 2 Divas reizes nospiediet pogu ERASE (●).

### 3 Lai izvēlētos [Start], nospiediet pogu ►►.

### 4 Nospiediet pogu PLAY/OK (►).

#### Piezīmes:

- Dzēstu failu atjaunot nav iespējams.
- Bloķēts fails netiek dzēsts.
- Dzēšanas process var aizņemt vairākas sekundes. Šajā laikā nemēģiniet izņemt baterijas, nomainīt tās, vai šajā laikā diktofonā veikt citas funkcijas, jo pretējā gadījumā var tikt bojāti dati.

## Citas funkcijas

### Pievienošana datoram (Fig. 10.)

Papildus tam, ka izmantojat šo ierīci kā diktofonu, varat to izmantot kā datora ārējās atmiņas glabāšanas ierīci.

- Audio failus, kas ierakstīti ar šo diktofonu, var atskaņot datorā, izmantojot Windows Media Player. Varat arī ar Windows Media Player lejupielādēt WMA failus pārsūtīt uz diktofonu un klausīties tos (izņemot failus, kurus aizsargā autortiesību likums).

### 1 Pievienojiet diktoфона USB kabeli datorā USB portam vai USB ligzdā.

- Kad parādās [Remote], varat saglabāt vai nolasīt datus.

### 2 Audio failu pārsūtīšana uz datoru.

- Pievienojiet diktoфона datoram un palaidiet Windows Explorer.
- Diktofons tiks atpazīts kā noņemams disks.
- Katra no piecām mapēm ir nodēvēta šādi: DSS\_FLDA, B, C, D un E. Audio faili tiek saglabāti šajās mapēs.
- Visi audio faili, kas ierakstīti ar šo diktofonu, būs WMA formātā.

t.i.:

VN-6500PC: VN\_650001.WMA  
VN-5500PC: VN\_550001.WMA  
VN-3500PC: VN\_350001.WMA

- Ja lietojat operētājsistēmu Windows 2000, datorā jābūt instalētai programmai Windows Media Player.

### 3 Uzdevumjoslā, kas atrodas ekrāna apakšējā labajā stūrī, noklikšķiniet uz [Droša aparatūras noņemšana].

- 1 USB pieslēgvietā
- 2 Datu nosūtīšana
- 3 Datu saņemšana

### Diktoфона lietošana, pieslēdzot to datoram

#### Windows

#### Operētājsistēma:

Microsoft Windows 2000/XP/Vista (standarta instalācija)

#### Savietojamie datori:

Datori, kuros darbojas operētājsistēma Windows, un kuriem ir vairākas brīvas USB pieslēgvietas

<b>Macintosh</b>	<b>Operētājsistēma:</b> Mac OS X 10.2.8 ~ 10.5 (standarta instalācija)
	<b>Savietojamie datori:</b> Apple Macintosh datoru sērija, kuriem ir vairākas brīvas USB pieslēgvietas

Šis atbalsts neattiecas uz datoriem, kuri ir atjaunināti no Windows operētājsistēmām, sākot no Windows 95 vai 98, līdz Windows 2000/XP/Vista. Darbības garantija neattiecas uz jebkādam kļūmēm, kas gadījušas pierēdotos datoros.

#### Piezīmes:

- NEKAD neatvienojiet USB kabeli, kamēr ierakstīšanos/atšķaņošanos indikators mirgo sarkanā krāsā. Pretējā gadījumā var tikt iznīcināti dati.
- Lai uzzinātu vairāk par datora USB pieslēgvietu vai USB ligzdū, skatiet datora lietotāja rokasgrāmatu.
- Tā kā trokšņi var radīt negatīvu iespaidu uz elektroniskām ierīcēm līdzās diktofonam, pirms diktoфона pieslēgšanas datoram atvienojiet ausiņās.

## Vispārīgie piesardzības pasākumi

Rūpīgi izlasiet šo pamācību, lai pārliecinātos, ka jūs diktofonu lietojat droši un pareizi. Uzglabājiet šo pamācību viegli pieejamā vietā turpmākai izmantošanai.

- Bridinājuma simboli norāda uz svarīgu informāciju par drošību. Lai pasargātu sevi un citus no traumām vai īpašuma bojājumiem, ir būtiski, lai jūs vienmēr izlasītu bridinājuma un pievienoto informāciju.

#### Bridinājums par datu zaudēšanu:

- Atmiņā ierakstītais saturs var tikt iznīcināts vai dzēsts kļūdainas ekspluatācijas, ierīces nepareizas darbības vai remonta rezultātā.
- Attiecībā uz svarīgu ierakstīto saturu iesakām to kaut kur pierakstīt vai izveidot dublējuma kopiju, lejupeļādējot to datorā.
- Olympus neuzņemas nekādu atbildību par pasīviem zaudējumiem vai jebkādiem zaudējumiem, ko

radījusi datu pazušana izstrādājuma defekta dēļ, trešās personas, kas nav Olympus vai Olympus autorizēts servisa centrs, veikta remonta rezultātā vai citu iemeslu dēļ.

## Lai nodrošinātu drošu un pareizu diktoфона izmantošanu

- Izmantojiet ausiņas tikai pēc tam, kad tajās ir pietiekami samazināts skaļums, citādi var pasliktināties dzirde un/vai rasties tās traucējumi.
- Ilgstoši neklusieties ausiņas lielā skaļumā, jo tā var pasliktināties dzirde un/vai rasties tās traucējumi.
- Pirms bateriju maiņas pārliecinieties, ka diktoфона ir izslēgts. Izņemot baterijas diktoфона izmantošanas laikā var sabojāt failu.
- Neatstājiet diktofonu karstās un mitrās vietās, piemēram, automobili tiešos saules staros vai pludmalē vasaras laikā.
- Nēglabājiet diktofonu pārlieku mitrās un putekļainās vietās.
- Ierīces tīrīšanai neizmantojiet organiskus šķīdinātājus, piemēram, spirtu un lakas šķīdinātāju.
- Nenovietojiet diktofonu virs elektroierīcēm, piemēram, televizora vai ledusskapja, kā arī to tuvumā.
- Izvairieties no atskaņošanas mobilo tālrunu vai cita bezvadu aprīkojuma tuvumā, jo tie var radīt traucējumus un trokšņus. Ja ieraksta laikā ir pārāk lieli trokšņi, pārvietojieties uz citu vietu vai attāliniet diktofonu no šāda aprīkojuma.
- Sargājiet no smiltīm un netīrumiem. To iekļūšana ierīcē var izraisīt nelabojamus bojājumus.
- Sargājiet no stipras vibrācijas vai sitieniem.
- Pats neizjauciet, neremontējiet vai nepārveidojiet ierīci.
- Nelietojiet ierīci sportlīdzekļa (piemēram, velosipēda, motocikla vai bērnu ratiņu) vadīšanas laikā.
- Glabājiet ierīci bērniem nepieejamā vietā.

#### Baterijas

##### ⚠ Bridinājums:

- Nekādā gadījumā neievietojiet bateriju nodalījumā nekādas citas detaļas kā tikai barošanas bloku.

Pretējā gadījumā var notikt bateriju nopūlde, pārkaršana, aizdegšanās vai eksplozija.

- Baterijas nedrīkst pakļaut liesmu iedarbībai, karsēt, izveidotislēgumu vai izjaukt.
- Nemēģiniet uzlādēt sārma, litija vai cita veida neuzlādējamās baterijas.
- Nekad nelietojiet baterijas ar bojātu vai ieleplaisušu ārējo korpusu.
- Glabājiet baterijas bērniem nepieejamā vietā.
- Ja, lietojot šo izstrādājumu, ievērojot ko neparastu, piemēram, neparastu skaņu, karstumu, dūmus vai deguma smaku:
  - ① nekavējoties izņemiet baterijas, izvairoties no apdedzināšanās, un
  - ② zvaniet izplatītājam vai vietējam Olympus pārstāvim, lai veiktu apkopi.

## Specifikācija

#### Ierakstīšanas datu nesējs:

Iebūvētā zibatmiņa

#### Vispārējā frekvence:

**VN-6500CP, VN-5500CP:**

HQ režīms: 200 līdz 13 000 Hz

SQ režīms: 200 līdz 7 000 Hz

LP režīms: 200 līdz 3 000 Hz

**VN-3500CP:**

HQ režīms: 200 līdz 13 000 Hz

SQ režīms: 200 līdz 7 000 Hz

LP režīms: 200 līdz 3 000 Hz

#### Ierakstīšanas laiks:

**VN-6500CP, VN-5500CP: 512 MB**

HQ režīms: Apm. 35 stundas un 20 minūtes

SP režīms: Apm. 69 stundas un 35 minūtes

LP režīms: Apm. 221 stundas 30 minūtes

**VN-3500CP: 128 MB**

HQ režīms: Apm. 8 stundas un 40 minūtes

SP režīms: Apm. 17 stundas un 10 minūtes

LP režīms: Apm. 54 stundas un 40 minūtes

- Iepriekš norādītie ieraksta laiki ir laiki pēc tam, kad ir dzēsti manuāli ievadītie dati, kas saglabāti diktoфона.



- Manuāli ievadītos datus var dzēst pēc diktofona pievienošanas datoram, vai arī formatējot diktofону. Lai uzzinātu vairāk, lūdzu, skatiet "**Dikto fon a formatēšana [Formatēt]**".
- Pirms datu dzēšanas, lūdzu, izveidojiet manuāli ievadīto datu PDF dublējuma failu.

#### Mikrofons:

Elektrostatiskais kondensatora mikrofons (monofonisks)

#### Skalrunis:

Iebūvēts  $\varnothing$  23 mm apaļš aktīvais skalrunis

#### Maksimālā jauda:

250 mW

#### Maksimālā austiņu jauda:

≤ 150 mW

(saskaņā ar EN 50332-2)

#### Austiņu ligzda (monofoniskas):

diametrs:  $\varnothing$  3,5 mm, pretestība: 8  $\Omega$

#### Mikrofona ligzda (monofoniskas):

diametrs:  $\varnothing$  3,5 mm, pretestība: 2 k $\Omega$

#### Strāvas padeve:

Divas AAA (LR03) baterijas vai divi Ni-MH uzlādējami akumulatori

#### Bateriju darbības laiks:

Sārnu baterijas:

apm. 37 stundas

Ni-MH uzlādējamie akumulatori:

apm. 25 stundas

#### Izmēri:

102 (L) mm x 37 (W) mm x 18,8 (T) mm x  
(bez izvirkījumiem)

#### Svars: 64,8 g (ieskaitot baterijas)

- Uzņēmums Olympus ir novērtējis bateriju kalpošanas laiku. Atkarībā no bateriju tipa un lietošanas apstākļiem, to kalpošanas laiks ir dažāds.
- Jūsu ierakstīto saturu drīkst izmantot tikai personiskām vajadzībām vai izklaidei. Saskaņā ar autortiesību likumu, bez autortiesību īpašnieka atļaujas ir aizliegts ierakstīt ar autortiesībām aizsargātus materiālus.
- Lai uzlabotu diktofona veiktspēju, specifikācija un dizains var tikt mainīti bez iepriekšēja paziņojuma.

## Piederumi (papildaprīkojums)

#### Ni-MH uzlādējamā akumulatora

lādētājs: BU-400 (tikai Eiropā)

#### Ni-MH uzlādējams akumulators:

BR401

#### Savienošanas vads (austiņu ligzda

↔ mikrofona ligzda): KA333

#### Trokšņu slāpēšanas mikrofons:

ME52

#### Elektrostatiskais kondensatora mikrofons:

ME15

#### Dublētās monofoniskās austiņas:

E20

#### Mikrofons tālruņa sarunas

ierakstīšanai: TP7

Kakla siksnas: ST26



"CE" zīme norāda, ka šis iekārta atbilst Eiropas drošības, veselības, apkārtējās vides un klientu aizsardzības prasībām.



Šis simbols [krusteniski pārsvītrotā atkritumu tvertne, WEEE IV pielikums] norāda uz īpašu elektrotehnikas un elektronikas aparātūras atkritumu savākšanas kārtību ES dalībvalstīs.

Lūdzam neizmest aparātūru mājāsaimniecības atkritumos. Lai atbrīvotos no šī iekārtas, izmantojiet savā valstī pieejamās atdošanas un savākšanas sistēmas.

Atbilstošā prece: VN-6500PC, VN-5500PC, VN-3500PC



Šis simbols [krusteniski pārsvītrotā atkritumu tvertne, direktīvas 2006/66/EK II pielikums] norāda uz atsevišķu izlietoto bateriju savākšanas kārtību ES dalībvalstīs. Lūdzam

neizmest baterijas mājāsaimniecības atkritumos. Lai atbrīvotos no izlietotajām baterijām, izmantojiet savā valstī pieejamās atdošanas un savākšanas sistēmas.

- Deze handleiding is een basisversie. U kunt de volledige handleiding terugvinden in de map **[OL\_MANUAL]** van de recorder of de informatie downloaden van de OLYMPUS-website.
- De inhoud van dit document kan in de toekomst worden gewijzigd zonder voorafgaande kennisgeving. Neem contact op met ons klantenondersteuningscentrum voor de recentste informatie over productnamen en modelnummers.
- Wij hebben alles in het werk gesteld om de integriteit van de inhoud van dit document te garanderen. In het onwaarschijnlijk geval dat u een twijfelachtig item, fout of weglating opmerkt, kunt u contact opnemen met ons klantenondersteuningscentrum.
- Olympus aanvaardt geen enkele aansprakelijkheid voor eventuele schade, gevolgschade of andere schade van welke aard ook als gevolg van gegevensverlies dat is opgetreden door een defect aan het product of tijdens reparaties die zijn uitgevoerd door derde partijen anders dan Olympus of door Olympus geautoriseerde servicebedrijven.

## Handelsmerken en gedeponeerde handelsmerken:

- Microsoft, Windows en Windows Media zijn gedeponeerde handelsmerken van Microsoft Corporation.
- Macintosh is het handelsmerk van Apple Inc.



## Veilig en correct gebruik

- Lees deze handleiding aandachtig door voor u de recorder gebruikt, zodat u weet hoe u hem veilig en correct kunt bedienen. Bewaar deze handleiding op een handige plaats voor later gebruik.
- Het waarschuwingssymbool geeft aan dat de informatie betrekking heeft op een veilig gebruik. Om uzelf en anderen te beschermen tegen eventuele schade of letsel is het belangrijk dat u steeds alle waarschuwingen en geboden informatie goed doorleest.

# Aan de slag

## Overzicht van onderdelen

- 1 Ingebouwde microfoon
  - 2 MIC-aansluiting (microfoon)
  - 3 HOLD-schakelaar
  - 4 USB-aansluiting
  - 5 Knop STOP (■)
  - 6 Knop PLAY/OK (▶)
  - 7 ◀◀-knop (terugspoelen)
  - 8 Batterijklepje
  - 9 Knop FOLDER/INDEX
  - 10 EAR-aansluiting (oortelefoon)
  - 11 Display (LCD-scherm)
  - 12 Indicatielampje voor opnemen/afspelen
  - 13 Knop REC (●)
  - 14 + knop
  - 15 ▶▶-knop (Snel vooruit)
  - 16 - knop
  - 17 DISP/MENU-knop
  - 18 ERASE-knop (●)
  - 19 Oogje voor polsriem
- Polsriem is niet bijgeleverd. Gebruik het optionele accessoire.

## Display (LCD-scherm):

- 1 Mapindicatie
- 2 Indicatie microfoongevoeligheid
- Indicatie LowCut filter\*
- VCVA-indicatie (Variable Control Voice Actuator)
- Indicatie opnamemodus
- Indicatie versneld afspelen
- Indicatie vertraagd afspelen
- Indicatie herhaald afspelen van een segment\*

- 3 Gidsindicatie
- 4 Weergave tekeninformatie Opnameniveaumeter
- 5 Batterij-indicatie
- 6 Indicatie wisbeveiliging
- 7 Huidig bestandsnummer

\* Enkel voor VN-6500PC.

## Batterijen plaatsen (afb. 1)

- 1 Druk de pijl voorzichtig omlaag en schuif het batterijklepje open.
  - 2 Plaats twee AAA-alkalinebatterijen en let op de correcte polariteit.
  - 3 Sluit het batterijklepje volledig.
    - Terwijl de schakelaar HOLD in de richting van de pijl staat, wordt het scherm uitgeschakeld nadat [HOLD] werd weergegeven. Voer de volgende stap uit zonder hiermee rekening te houden.
- Voer deze recorder kunt u een optionele Ni-MH oplaadbare batterij (BR401) van Olympus gebruiken.

## De batterijen vervangen:

- op het scherm verschijnt, moet u de batterijen zo snel mogelijk vervangen. AAA-alkalinebatterijen worden aanbevolen. Als de batterijen leeg zijn, verschijnt op het scherm en schakelt de recorder uit.
- Om de batterij te vervangen, dient u de schakelaar HOLD eerst in de tegenovergestelde richting van de pijl te plaatsen.

## Voeding (afb. 2)

### Voeding inschakelen:

Schuif de schakelaar HOLD in de tegenovergestelde richting van de pijl.

### Voeding uitschakelen:

Schuif de schakelaar HOLD in de richting van de pijl terwijl de recorder niet in werking is.

### Stand-bymodus en scherm uitschakelen:

Als de recorder tijdens opname of weergave gedurende minstens 5 minuten wordt gestopt, gaat de recorder naar de stand-bymodus (energiebesparing) en wordt het scherm uitgeschakeld. Om de stand-bymodus te verlaten en het scherm in te schakelen, drukt u op een willekeurige knop.

## De tijd en datum instellen

### [Time & Date] (afb. 3)

Als u batterijen voor het eerst plaats of telkens wanneer u de batterijen vervangt, knippert de indicatie "Month". In dergelijk geval dient u de tijd en de datum in te stellen aan de hand van de stappen 4 tot 6 die hierna worden beschreven.

- 1 Houd de knop DISP/MENU gedurende minstens 1 seconde ingedrukt om naar het hoofdmenu te gaan.
- 2 Druk op de knop ▶▶ of ◀◀ om te selecteren [Sub Menu].

### 3 Druk op de knop **PLAY/OK** (▶).

- [Time & Date] verschijnt op het scherm en [◀◀▶▶] knippert.

### 4 Druk op de knop ▶▶| of |◀◀ om het item te selecteren dat moet worden ingesteld.

- Selecteer het item voor "Month", "Day", "Year", "Hour" en "Minute" met een knipperende punt.

### 5 Druk op de knop + of – om de instelling uit te voeren.

- Herhaal dezelfde stappen door op de knop ▶▶| of |◀◀ te drukken om het volgende item te selecteren en druk vervolgens op de knop + of – om in te stellen.

### 6 Druk op de knop **PLAY/OK** (▶) om het scherm met de instellingen af te sluiten.

- De klok begint te lopen volgens de ingestelde datum en tijd.
- Druk op de knop **PLAY/OK** (▶) volgens het tijdssignaal.

### 7 Druk op de knop **STOP** (■) om de menumodus te sluiten.

#### Opmerkingen over de mappen (afb. 4)

De recorder beschikt over vijf mappen, [A], [B], [C], [D] en [E]. Als u een andere map wenst te kiezen, drukt u op de knop **FOLDER/INDEX** terwijl de recorder is gestopt. In elke map kunnen tot 200 bestanden worden opgeslagen.

- ① Huidige map

### Opnemen (afb. 5)

#### 1 Druk op de knop **FOLDER/INDEX** om de gewenste map te selecteren.

#### 2 Druk op de knop **REC** (●) om de opname te starten.

- Het indicatielampje voor opnemen/afspelen licht rood op en de opname start.

#### 3 Druk op de knop **STOP** (■) om de opname te stoppen.

- Nieuwe opnamen worden opgeslagen als het laatste bestand in de map.

- ① Huidige map
- ② Huidige opnamemodus
- ③ Huidig bestandsnummer
- ④ Opnametijd
- ⑤ Resterende opnametijd
- ⑥ Opnameniveaumeter

### Afspelen (afb. 6)

#### 1 Druk op de knop **FOLDER/INDEX** om de gewenste map te selecteren.

#### 2 Druk op de knop ▶▶| of |◀◀ om het bestand dat u wilt afspelen, te selecteren.

#### 3 Druk op de knop **PLAY/OK** (▶) om het afspelen te starten.

- Het indicatielampje voor opnemen/afspelen licht groen op en de verstrekte afspeeltijd wordt aangegeven op het scherm.

#### 4 Druk op de knop + of – om het gewenste geluidsvolume te selecteren.

- Het volumeniveau wordt weergegeven op het scherm. U kunt kiezen tussen [00] en [30].

- ① Huidig bestandsnummer
- ② Afspeeltijd

#### Stoppen: (afb. 7)

#### Druk op de knop **STOP** (■).

- De recorder stopt halverwege het afgespeelde bestand.

### Wissen

#### Eén bestand per keer wissen (afb. 8)

#### 1 Druk op de knop **FOLDER/INDEX** om de map te selecteren.

#### 2 Druk op de knop ▶▶| of |◀◀ om het bestand dat u wilt wissen, te selecteren.

- ① Te wissen bestand

#### 3 Druk op de knop **ERASE** (●).

#### 4 Druk op de knop ▶▶| om [Start] te selecteren.

#### 5 Druk op de knop **PLAY/OK** (▶).

#### Alle bestanden in een map wissen

#### (afb. 9)

#### 1 Druk op de knop **FOLDER/INDEX** om de map die u wilt wissen, te selecteren.

- ① Te wissen map

#### 2 Druk twee keer op de knop **ERASE** (●).

#### 3 Druk op de knop ▶▶| om [Start] te selecteren.

#### 4 Druk op de knop **PLAY/OK** (▶).

#### Opmerkingen:

- Een gewist bestand kan niet worden hersteld.
- Een bestand dat vergrendeld is, wordt niet gewist.

- Het wissen kan enkele seconden duren. Verwijder of verwissel de batterij niet en voer tijdens het wissen geen andere functies op de recorder uit, anders kunnen de gegevens beschadigd raken.

### Andere functies

#### Aansluiten op uw pc (afb. 10)

U kunt deze unit niet alleen als een recorder gebruiken, maar ook als een extern geheugen voor uw computer, dus als opslagmedium.

- De audiobestanden die met deze recorder werden opgenomen, kunt u op uw computer afspelen met behulp van Windows Media Player. U kunt WMA-bestanden die u heeft binnengehaald met Windows Media Player, ook overbrengen naar uw recorder en ze op de recorder beluisteren (dit geldt niet voor bestanden met auteursrechtelijke bescherming).

#### 1 Verbind de USB-aansluiting van de recorder met een USB-poort of USB-hub van uw pc.

- Als [Remote] verschijnt, kunt u de gegevens opslaan of lezen.

#### 2 Audiobestanden overdragen naar uw computer.

- Sluit de recorder aan op uw computer en start de Verkenner.
- De recorder wordt herkend als verwisselbare schijf.

- De vijf mappen hebben de naam DSS\_FLDA, B, C, D en E. De audiobestanden worden in deze mappen opgeslagen.

- Alle audiobestanden die met deze recorder worden opgenomen, hebben de WMA-indeling.

M.a.w.:

VN-6500PC: VN\_650001.WMA

VN-5500PC: VN\_550001.WMA

VN-3500PC: VN\_350001.WMA

- Als u Windows 2000 gebruikt, moet Windows Media Player op de pc geïnstalleerd zijn.

#### 3 Klik in de taakbalk, onderaan rechts op hetschermp, op . Klik op **Hardware veilig verwijderen**.

- ① USB-aansluiting
- ② De gegevens verzenden
- ③ De gegevens ontvangen

De recorder gebruiken op uw pc	
Windows	<b>Besturingssysteem:</b> Microsoft Windows 2000 / XP / Vista (standaard installatie)
	<b>Compatibele pc's:</b> Windows-pc's uitgerust met meer dan één vrije USB-poort
Macintosh	<b>Besturingssysteem:</b> Mac OS X 10.2.8 ~ 10.5 (standaard installatie)
	<b>Compatibele pc's:</b> Apple Macintosh-series die zijn uitgerust met meer dan één vrije USB-poort.

De support geldt niet als uw pc vanuit Windows 95 of 98 werd bijgewerkt naar Windows 2000/XP/Vista. Fouten die zich voordoen op een pc die u zelf heeft gewijzigd, worden niet gedekt door de garantie.

#### Opmerkingen:

- Koppel de USB-verbinding NOOIT los terwijl het indicatielampje voor opnemen/afspelen rood knippert. Indien u dat wel doet, kunnen de gegevens vernietigd worden.
- Raadpleeg de gebruikershandleiding van uw pc voor meer informatie over de USB-poort of USB-hub van uw pc.
- De ruis kan een negatief effect hebben op elektronische apparaten in de buurt van de recorder. Koppel daarom de oortelefoon los als u de recorder op een pc aansluit.

## Algemene voorzorgsmaatregelen

Lees deze handleiding aandachtig, zodat u weet hoe u de recorder veilig en correct kunt bedienen. Bewaar deze handleiding op een handige plaats voor later gebruik.

- Het waarschuwingsymbool geeft aan dat de informatie betrekking heeft op een veilig gebruik. Om uzelf en anderen te beschermen tegen eventuele schade of letsel is het belangrijk dat u steeds alle waarschuwingen en geboden informatie goed doorleest.

## Waarschuwing met betrekking tot gegevensverlies:

- Gegevens die in het geheugen worden opgeslagen, kunnen worden beschadigd of gewist bij een verkeerde bediening, bij defecten aan de recorder of tijdens reparatiewerkzaamheden.
- Voor belangrijke opnames is het aan te bevelen de informatie ergens te noteren of een reservekopie te maken door de opname over te zetten naar een pc.
- Olympos aanvaardt geen enkele aansprakelijkheid voor eventuele schade of gevolgschade van welke aard dan ook als gevolg van gegevensverlies dat is opgetreden door een defect aan het product of tijdens reparaties die zijn uitgevoerd door derde partijen anders dan Olympos of door Olympos geautoriseerde servicebedrijven.

## Voor een veilig en correct gebruik

- Gebruik uw hoofdtelefoon pas nadat u het volume van de hoofdtelefoon voldoende heeft verlaagd, anders kunt u last krijgen van gehoorstoornissen en/of een verminderd gehoor.
- Gebruik uw hoofdtelefoon niet gedurende lange tijd bij hoog volume, want hierdoor kunt u last krijgen van gehoorstoornissen en/of een verminderd gehoor.
- Zorg dat u de recorder stopt voordat u de batterijen vervangt. Indien u de batterij vervangt terwijl de recorder wordt gebruikt, is het mogelijk dat het bestand beschadigd raakt.
- Laat de recorder niet achter op warme en vochtige locaties, zoals een afgesloten auto in de felle zon of op het strand in de zomer.
- Bewaar de recorder niet op plaatsen waar sprake is van een hoge vochtigheidsgraad of veel stof.
- Maak de recorder niet schoon met organische oplosmiddelen, zoals alcohol en thinner.
- Leg de recorder niet op of naast elektrische apparaten zoals tv's en koelkasten.
- Vermijd opnemen of afspeelen in de buurt van een gsm of andere draadloze apparaten. Deze kunnen storing en ruis veroorzaken. Indien

u ruis bemerkt, verplaatst u dan naar een andere locatie of haal de recorder uit de buurt van dergelijke apparaten.

- Vermijd zand en stof. Dit kan resulteren in onherstelbare schade.
- Vermijd sterke trillingen en schokken.
- U mag de recorder in geen geval zelf uit elkaar halen, repareren of wijzigen.
- Gebruik de unit niet tijdens de besturing van een voertuig (zoals een fiets, motor of gocart).
- Houd de recorder buiten bereik van kinderen.

## Batterij

### ⚠ Waarschuwing:

- Steek nooit andere zaken dan de hoofunit in het batterijvak. Dit zou kunnen leiden tot batterijlekkens, oververhitting, brand of ontploffing.
- De batterij mag nooit worden blootgesteld aan vuur en hitte, en ze mag ook niet worden kortgesloten of uit elkaar worden gehaald.
- Probeer niet om alkaline-, lithium- en andere niet-herlaadbare batterijen op te laden.
- Gebruik geen batterijen met een beschadigde buitenkant.
- Houd batterij buiten bereik van kinderen.
- Doe het volgende wanneer u tijdens het gebruik van dit product ongebruikelijke dingen opvallen, zoals een vreemd geluid, hitte, rook of brandlucht:
  - ① verwijder onmiddellijk de batterij en wees voorzichtig dat u zich niet verbrandt, en
  - ② neem contact op met uw dealer of lokale Olymposvertegenwoordiger voor onderhoud.

## Specificaties

### Opnamemedium:

Intern flashgeheugen

### Algemene frequentie:

**VN-6500PC, VN-5500PC:**

HQ-modus: 200 tot 13.000 Hz

SQ-modus: 200 tot 7.000 Hz

LP-modus: 200 tot 3.000 Hz

**VN-3500PC:**

HQ-modus: 200 tot 13.000 Hz

SQ-modus: 200 tot 7.000 Hz

LP-modus: 200 tot 3.000 Hz

#### Opnametijd:

**VN-6500PC, VN-5500PC: 512 MB**

HQ-modus: ca. 35 uur 20 minuten

SP-modus: ca. 69 uur 35 minuten

LP-modus: ca. 221 uur 30 minuten

**VN-3500PC: 128 MB**

HQ-modus: ca. 8 uur 40 minuten

SP-modus: ca. 17 uur 10 minuten

LP-modus: ca. 54 uur 40 minuten

- De hierboven vermelde opnametijden zijn van toepassing na het verwijderen van de handleiding die in de recorder opgeslagen is.
- De handleiding kan worden verwijderd door de recorder aan te sluiten op een computer en de informatie te verwijderen of door de recorder te formatteren. Voor meer details, zie "De recorder formatteren [Format]".
- Voor u de informatie verwijderd, dient u een reservekopie te maken van het pdf-bestand van de handleiding.

#### Microfoon:

Electret condensatormicrofoon (mono)

#### Luidspreker:

Ingebouwde ø 23 mm ronde dynamische luidspreker

#### Maximaal vermogen:

250 mW

#### Maximaal uitvoervermogen hoofdtelefoon:

≤ 150 mV

(volgens EN 50332-2)

#### Oortelefoonuitgang (mono):

ø 3,5 mm diameter, impedantie 8 Ω

#### Microfoonaansluiting (mono):

ø 3,5 mm diameter, impedantie 2 kΩ

#### Voeding:

Twee AAA (LR03) batterijen of twee Ni-MH oplaadbare batterijen

#### Baterijautonomie:

Alkalinebatterijen:

ca. 37 uur

Ni-MH oplaadbare batterijen:

ca. 25 uur

#### Afmetingen:

102 (L) mm x 37 (B) mm x 18,8 (D) mm (zonder uitstekende delen)

**Gewicht:** 64,8 g (inclusief batterij)

- De levensduur van de batterij is gemeten door Olympus. Deze duur kan in hoge mate afhankelijk zijn van het type batterijen dat wordt gebruikt en van de gebruiksomstandigheden.
- Informatie die u heeft opgenomen, is enkel bedoeld voor persoonlijk gebruik of genot. Overeenkomstig de wet op de auteursrechten mag u zonder de toelating van de eigenaar van het auteursrecht geen materiaal opnemen waarop auteursrechten van toepassing zijn.
- De specificaties en het ontwerp zijn, met het oog op de verbetering van de prestaties, onderhevig aan wijzigingen zonder kennisgeving.

## Accessoires (optioneel)

#### Ni-MH oplaadbare batterijlader:

BU-400 (enkel Europa)

#### Ni-MH oplaadbare batterij:

BR401

#### Aansluitkabel (oortelefoonuitgang

↔ microfoonaansluiting): KA333

#### Ruisonderdrukkende microfoon:

ME52

#### Electret condensatormicrofoon:

ME15

#### Dubbele mono-oortelefoon: E20

**Telefoonopnemer:** TP7

**Halsband:** ST26



Het "CE"-teken geeft aan dat dit product voldoet aan de Europese richtlijnen voor veiligheid, gezondheid, omgeving en bescherming van klanten.



Dit symbool [een doorgekruisterde container WEEE Annex IV] geeft aan dat oude elektrische en elektronische apparatuur apart wordt ingezameld in landen die zijn aangesloten bij de EU.

Gooi uw oude apparatuur niet bij het huisvuil. Volg de in uw land geldende afvalrichtlijnen wanneer u dit product weggooit.

Toepasselijk product: VN-6500PC, VN-5500PC, VN-3500PC



Dit symbool [een doorgekruisterde container Richtlijn 2006/66/EG bijlage II] geeft aan dat oude batterijen apart worden ingezameld in landen die zijn aangesloten

zijn bij de EU. Gooi oude batterijen niet bij het huisvuil. Volg de in uw land geldende afvalrichtlijnen wanneer u oude batterijen weggooit.

## NO Introduksjon

- Denne veiledningen er en grunnleggende versjon. Den komplette veiledningen er tilgjengelig enten fra lagret data i [OL\_MANUAL]-mappen på opptakeren eller last ned dataen fra OLYMPUS-vebsiden.
- Innholdet i dette dokumentet kan endres i fremtiden uten forvarsel. Kontakt vårt Kundeservicecenter for siste informasjon om produktnavn og modellnummer.
- Den best mulige forsiktighet har blitt gjort for å bevare integriteten til innhold i dette dokumentet. Hvis du skulle møte på et tvilsomt element, feil eller utelatelser er funnet, kontakt vårt Kundeservicecenter.
- Ethvert ansvar for følgeskader eller skader av noe slag som oppstår som en følge av tap av data grunnet en produktdefekt, reparasjoner utført av en tredje part, andre enn Olympus eller et Olympus-autorisert servicecenter, eller annen grunn ekskluderes.

### Varemerker og registrerte varemerker:

- Microsoft, Windows og Windows Media er registrerte varemerker for Microsoft Corporation.
- Macintosh er varemerket for Apple Inc.



### Sikker og korrekt bruk

- Før du bruker denne diktafonen, les nøye gjennom denne veiledningen slik at du er sikker på at du kjenner trykk og korrekt bruk av enheten. Oppbevar denne veiledningen på et lett tilgjengelig sted for fremtidig referanse.
- Varselsymbolene angir viktig sikkerhetsrelatert informasjon. Det er viktig at du leser advarslene og informasjonen som medfølger for å kunne beskytte deg selv og andre mot personskade eller skade på eiendom.

## Komme i gang

### Identifisering av deler

- 1 Innebygd mikrofon
  - 2 MIC (Mikrofon)-kontakt
  - 3 HOLD-bryter
  - 4 USB-terminal
  - 5 STOP (■)-knapp
  - 6 PLAY/OK (▶)-knapp
  - 7 |◀◀ (Spol tilbake)-knapp
  - 8 Batterideksel
  - 9 FOLDER/INDEX-knapp
  - 10 EAR (Øretelefon)-kontakt
  - 11 Skjerm (LCD-skjerm)
  - 12 Opptaks-/avspillingsindikator
  - 13 REC (●)-knapp
  - 14 +-knapp
  - 15 ▶▶| (Spol fremover)-knapp
  - 16 --knapp
  - 17 DISP/MENU-knapp
  - 18 ERASE (●)-knapp
  - 19 Hull til rem
- Rem følger ikke med. Bruk ekstraprestyret.

### Skjerm (LCD-skjerm):

- 1 Mappeindikator
- 2 Mikrofonfølsomhetsindikator
- Basskuttfilter-indikator\*
- Variable Control Voice Actuator-indikator
- Indikator for opptaksmodus
- Indikator for rask avspilling
- Indikator for treg avspilling
- Indikator for gjentatt segmentavspilling\*

- 3 Streindikator
- 4 Visning av tegninformasjon Opptaksnivåmåler
- 5 Indikator for batterier
- 6 Indikator for slettelås
- 7 Nærværende filnummer

\* Kun for VN-6500PC.

### Sette inn batterier (Fig. 1)

- 1 Trykk lett ned på pilen og skyv batteridekslet åpent.
- 2 Sett inn to AAA-alkaliske batterier i riktig retning.
- 3 Lukk batteridekslet helt.
  - Når HOLD-bryteren er satt i retning av pilen, slås skjermen av etter at [HOLD] vises. Følg neste trinn uten å ta hensyn til det.

Et oppladbart Ni-MH-batteri (BR401) (ekstraprestyr) fra Olympus kan brukes i opptakeren.

### Bytte ut batteriene:

- Bytt ut batteriene så snart som mulig når [C] vises på skjermen. Det anbefales at du bruker AA-alkaliske batterier. Når batteriene er tomme vises [C] på skjermen og opptakeren slås av.
- Du må sette HOLD-bryteren i motsatt retning av pilen før du bytter ut batteriene.

### Strømforsyning (Fig. 2)

#### Slå på:

Skyv HOLD-bryteren i motsatt retning som er vist av pilen.

#### Slå av:

Skyv HOLD-bryteren i retningen som er vist av pilen mens opptakeren ikke er i bruk.

#### Standbymodus og avstenging av skjermen:

Hvis opptakeren stoppes i 5 minutter eller mer under opptak eller avspilling, går den inn i Standby (strømsparing)-modus, og skjermen slås av. Trykk på hvilken som helst knapp for å gå ut av Standbymodus og slå på skjermen.

### Stille inn dato og klokkeslett [Time & Date] (Fig. 3)

Når du setter i batterier for første gang eller hver gang du bytter ut batteriene, blinker "Month"-indikatoren. Hvis dette skjer må du stille inn dato og klokkeslett ved å følge trinn 4 til 6 som er beskrevet under.

- 1 Trykk og hold DISP/MENU-knappen i 1 sekund eller mer for å gå til hovedmenyen.
- 2 Trykk på ▶▶| eller |◀◀-knappen for å velge [Sub Menu].

- 3 Trykk på PLAY/OK (▶) -knappen.**
- [Time & Date] vises på skjermen, og [◀◀◀▶▶▶] blinker.
- 4 Trykk på ▶▶▶ eller ◀◀◀ -knappen for å velge elementet som du vil stille inn.**
- Velg elementet fra "Month", "Day", "Year", "Hour" og "Minute" med en blinkende markør.

**5 Trykk på + eller – knappen for å stille inn verdier.**

- Følg de samme trinnene ved å trykke på ▶▶▶ eller ◀◀◀ -knappen for å velge neste element, og trykk på + eller – knappen for å stille inn.

**6 Trykk på PLAY/OK (▶) -knappen for å fullføre skjermoppsettet.**

- Klokken starter fra den innstilte datoen og klokkeslettet.
- Trykk på PLAY/OK (▶) -knappen i henhold til tidssignalet.

**7 Trykk på STOP (■) -knappen for å lukke menymodus.**

**Merknader om mappene (Fig. 4)**

Opptakeren har fem mapper, [A], [B], [C], [D] og [E]. Trykk på FOLDER/INDEX-knappen mens opptakeren er stoppet for å endre mappervalget. Totalt kan opptil 200 filer kan lagres i hver mappe.

- ① Nåværende mappe

**Opptak (Fig. 5)**

**1 Trykk på FOLDER/INDEX-knappen for å velge ønsket mappe.**

- 2 Trykk på REC (●) -knappen for å starte opptaket.**
- Opptaks-/avspillingsindikatoren lyser rødt, og opptaket starter.

**3 Trykk på STOP (■) -knappen for å stoppe opptaket.**

- Nye opptak lagres som den siste filen i mappen.
- ① Nåværende mappe
- ② Nåværende opptaksmodus
- ③ Nåværende filnummer
- ④ Opptakstid
- ⑤ Gjenværende opptakstid
- ⑥ Opptaksnivåmåler

**Avspilling (Fig. 6)**

**1 Trykk på FOLDER/INDEX-knappen for å velge ønsket mappe.**

**2 Trykk på ▶▶▶ eller ◀◀◀ -knappen for å velge filen som du vil spille av.**

**3 Trykk på PLAY/OK (▶) -knappen for å starte avspillingen.**

- Opptaks-/avspillingsindikatoren lyser grønt, og forløp tid vises på skjermen.

**4 Trykk på + eller – knappen for å velge korrekt lydvolume.**

- Skjermen viser volumnivået. Du kan velge mellom [00] til [30].

- ① Nåværende filnummer
- ② Avspillingstid

**Stoppe avspillingen: (Fig. 7)**

**Trykk på STOP (■) -knappen.**

- Opptakeren stopper midt i filen som spilles av.

**Slett**

**Slette én fil av gangen (Fig. 8)**

**1 Trykk på FOLDER/INDEX-knappen for å velge mappe.**

**2 Trykk på ▶▶▶ - eller ◀◀◀ -knappen for å velge filen som skal slettes.**

- ① Fil som skal slettes

**3 Trykk på ERASE (●) -knappen.**

**4 Trykk på ▶▶▶ -knappen for å velge [Start].**

**5 Trykk på PLAY/OK (▶) -knappen.**

**Slette alle filer fra en mappe (Fig. 9)**

**1 Trykk på FOLDER/INDEX-knappen for å velge mappen som skal slettes.**

- ① Mappe som skal slettes

**2 Trykk to ganger på ERASE (●) -knappen.**

**3 Trykk på ▶▶▶ -knappen for å velge [Start].**

**4 Trykk på PLAY/OK (▶) -knappen.**

**Notater:**

- En fjernet fil kan ikke gjenopprettes.
- Filen som er satt som slettelås slettes ikke.

- Slettingen kan ta flere sekunder. Ikke prøv å fjerne, bytte ut batteri eller andre funksjoner på diktafonen mens dette pågår da dette kan føre til korrupt data.

**Andre funksjoner**

**Koble til datamaskinen (Fig. 10)**

Bortsett fra når du bruker denne enheten som en opptaker, kan du bruke den som en ekstern minneenhet for datamaskinen din, som en lagingsenhet.

- Lydfilene som tas opp av denne opptakeren kan spilles av på datamaskinen med Windows Media Player. Du kan også overføre WMA-filene som er lastet ned med Windows Media Player til opptakeren og spille dem av (utenom filer som er kopibeskyttet).

**1 Koble opptakerens USB-terminal til en PC USB-port eller USB-hub.**

- Når [Remote] vises kan du lagre eller lese av dataen.

**2 Overfør lydfilene til datamaskinen.**

- Koble opptakeren til datamaskinen og start Utforsker.
- Opptakeren gjenkjennes som en fjernbar disk.
- Hver av de fem mappene navngis som DSS\_FLDA, B, C, D og E. Lydfilene er lagret i disse mappene.
- Alle lydfilene som spilles inn med denne opptakeren vil være i WMA-format.

- dvs.:  
VN-6500PC: VN\_650001.WMA  
VN-5500PC: VN\_550001.WMA  
VN-3500PC: VN\_350001.WMA
- Hvis du bruker Windows 2000, må Windows Media Player være installert på datamaskinen.

**3 Klikk på [F] i oppgavelinjen i det nedre, høyre hjørnet på skjermen. Klikk på [Trygg fjerning av maskinvare].**

- ① USB-terminal
- ② Sender dataen
- ③ Mottar dataen

## Bruke opptakeren på datamaskinen

<b>Windows</b>	<b>Operativsystem:</b> Microsoft Windows 2000/XP/Vista (Standard Installation) <b>Kompatible datamaskiner:</b> Windows-data-maskiner utstyrt med flere enn én ledig USB-port
<b>Macintosh</b>	<b>Operativsystem:</b> Mac OS X 10.2.8 ~ 10.5 (Standard installasjon) <b>Kompatible datamaskiner:</b> Apple Macintosh serien som er utstyrt med flere enn én ledig USB-port

Supporttjenesten gjelder ikke hvis datamaskinen har blitt oppdatert fra Windows 95 eller 98 til Windows 2000/XP/Vista. Enhver feil på en egenmodifisert datamaskin dekkes ikke av driftsgarantien.

### Notater:

- Koble ALDRI fra USB-kabelen mens indikatorlyset for opptak/avspilling blinker rødt. Data kan ødelegges hvis du gjør dette.
- Se brukerveiledningen for datamaskinen vedrørende informasjon om USB-porten eller USB-huben på datamaskinen.
- Hodetelefonene bør kobles fra når du kobler opptakeren til en datamaskin. Dette fordi støy kan forårsake ugunstige effekter på elektroniske enheter i nærheten av opptakeren.

## Generelle forholdsregler

Les nøye gjennom denne veiledningen slik at du er sikker på hvordan du bruker diktafonen på en trygg og korrekt måte. Oppbevar denne veiledningen på et lett tilgjengelig sted for fremtidig referanse.

- Varselsymbolene angir viktig sikkerhetsrelatert informasjon. Det er viktig at du leser advarslene og informasjonen som medfølger for å kunne beskytte deg selv og andre mot personskade eller skade på eiendom.

## Advarsel om tap av data:

- Innsplit innhold i minnet kan ødelegges eller slettes av operasjonsfeil, feil på enheten eller under reparasjon.
- For viktig innhold som du har tatt opp, anbefaler vi at du skriver det ned i plass eller tar en sikkerhetskopi ved å laste det ned på en datamaskin.
- Ethvert ansvar for følgeskader eller skader av noe slag som oppstår som en følge av tap av data grunnet en produktdefekt, reparasjon utført av en tredje part andre enn Olympus eller et Olympus-autorisert servicesenter, eller andre grunner ekskluderes fra Olympus' ansvar.

## For trygg og korrekt bruk

- Øretelefonene skal kun brukes etter at volumet er tilstrekkelig redusert. Hvis volumet ikke reduseres kan svekket hørsel og/eller hørselsskader oppstå.
- Øretelefonene må ikke brukes med høyt volum over en lengre periode da dette kan forårsake svekket hørsel og/eller hørselsskader.
- Kontroller at opptakeren er stoppet før batteriene skiftes ut. Filen kan ødelegges dersom batteriene tas ut mens opptakeren er i bruk.
- Ikke la diktafonen ligge i varme, fuktige steder som inni en lukket bil under direkte sollys eller på stranden om sommeren.
- Ikke oppbevar diktafonen på steder som er utsatt for ekstrem fuktighet eller støv.
- Ikke bruk organiske løsemidler som alkohol og lakktynner for å rengjøre enheten.
- Ikke plasser diktafonen på toppen av elektriske apparater som TV eller kjøleskap.
- Unngå opptak eller avspilling nær mobiltelefoner eller annet trådløst utstyr, da disse kan forårsake forstyrrelse og støy. Hvis du opplever støy, flytt til et annet sted, eller flytt diktafonen lenger unna slikt utstyr.
- Unngå sand eller skitt. Disse kan forårsake uopprettelig skade.
- Unngå sterke vibrasjoner eller støt.
- Ikke demonter, reparer eller tilpass enheten selv.
- Enheten må ikke brukes mens du betjener et kjøretøy (f.eks sykkel, motorsykkel eller gokart).
- Oppbevar enheten utilgjengelig for barn.

## Batteri

### ⚠ Advarsel:

- Ikke under noen omstendighet må du sette inn noen andre deler enn hovedenheten inn i batterirommet. Dette kan føre til batterilekkasje, overopphetning, brann eller eksplosjon.
- Batteri bør aldri utsettes for flammer, varmes opp, kortsluttes eller demonteres.
- Ikke prøv å lade opp alkalisk, litium eller noe annet ikke-oppladbare batteri.
- Aldri bruk et batteri som har et ødelagt eller sprukket ytterstykke.
- Batteri skal oppbevares utilgjengelig for barn.
- Dersom du legger merke til noe uvanlig mens du bruker produktet, som for eksempel unormal støy, varme, røyk eller brent lukt:
  - ① fjern batteriet umiddelbart med omhu så du ikke brenner deg, og;
  - ② ring forhandleren din eller din lokale Olympus-representant for service.

## Spesifikasjoner

### Opptaksmedia:

Innebyggt flashminne

### Generell frekvens:

**VN-6500PC, VN-5500PC:**

HQ-modus: 200 til 13 000 Hz

SQ-modus: 200 til 7 000 Hz

LP-modus: 200 til 3 000 Hz

**VN-3500PC:**

HQ-modus: 200 til 13 000 Hz

SQ-modus: 200 til 7 000 Hz

LP-modus: 200 til 3 000 Hz

### Opptakstid:

**VN-6500PC, VN-5500PC: 512 MB**

HQ-modus: ca. 35 timer 20 minutter

SP-modus: ca. 69 timer 35 minutter

LP-modus: ca. 221 timer 30 minutter

**VN-3500PC: 128 MB**

HQ-modus: ca. 8 timer 40 minutter

SP-modus: ca. 17 timer 10 minutter

LP-modus: ca. 54 timer 40 minutter

- De overnevnte opptakstidene indikerer tider etter sletting av den manuelle dataen som er lagret i opptakeren.



- Den manuelle dataen kan slettes ved å koble opptakeren til en datamaskin og slette eller formatere opptakeren. For mer informasjon se "Formatere opptakeren [Format]".
- Før du sletter dataen, lag en sikkerhets kopi av PDF-dataen i veiledningen.

#### Mikrofon:

Kondensatormikrofon (mono)

#### Høytaler:

Innebygd ø 23 mm rund dynamisk høytaler

#### Maksimal strøm:

250 mW

#### Maksimal utgangseffekt for øretelefon:

≤ 150 mW

(i henhold til EN 50332-2)

#### Øretelefon-kontakt (mono):

ø 3,5 mm diameter, impedans 8 Ω

#### Mikrofon-kontakt (mono):

ø 3,5 mm diameter, impedans 2 kΩ

#### Strømforsyning:

To AAA (LR03) batterier eller to Ni-MH oppladbare batterier

#### Kontinuerlig batteri:

Alkaliske batterier:

ca. 37 timer

Ni-MH oppladbare batterier:

ca. 25 timer

#### Mål:

102 (L) mm x 37 (B) mm x 18,8 (T) mm  
(uten utspring)

#### Vekt: 64,8 g (inkludert batteri)

- Batterilevetiden er målt av Olympus. Den varierer stort etter typene batterier som brukes og bruksforholdene.
- Innholdet i opptaket ditt er kun for personlig bruk eller egen fornøyelse. Det er forbudt å ta opp kopibeskyttet materiale uten tillatelse av eieren av åndsverket i henhold til åndsverkløven.
- Spesifikasjoner og design kan når som helst endres uten forutgående varsel for forbedring av prestasjon.

## Tilbehør (Ekstrautstyr)

#### Ni-MH oppladbar batterilader:

BU-400 (kun Europa)

#### Oppladbart Ni-MH-batteri:

BR401

#### Tilkoblingsledning (øretelefon-

#### kontakt ↔ mikrofon-kontakt):

KA333

#### Støyannullerende mikrofon:

ME52

#### Kondensatormikrofon:

ME15

#### Tokanals mono-øretelefon: E20

Telefonsvarer: TP7

Nakkerem: ST26



"CE"-merket betyr at dette produktet samsvarer med de europeiske kravene til sikkerhet, helse og miljø samt brukerbeskyttelse.



Dettes symbolet [søppelkasse på hjul med kryss over, i henhold til WEEE, tillegg IV] indikerer et eget innsamlingsystem for elektrisk og elektronisk søppel i EU-landene. Ikke kast utstyret i vanlig husholdningsavfall.



Deponer dette produktet ved hjelp av retur- og innsamlingsystemene som er tilgjengelige i ditt land.

Gjeldende produkt: VN-6500PC, VN-5500PC, VN-3500PC



Dette symbolet [søppelkasse på hjul med kryss over, i henhold til direktiv 2006/66/EC, tillegg II] indikerer et separat innsamlingsystem for brukte batterier i EU-landene.

Ikke kast batteriene i vanlig husholdningsavfall. Deponer de brukte batteriene ved hjelp av retur- og innsamlingsystemene som er tilgjengelige i ditt land.

## PL Wprowadzenie

- To jest instrukcja obsługi w wersji podstawowej. Pełna zaawansowana instrukcja obsługi znajduje się w folderze **[OL MANUAL]** urządzenia. Można ją również pobrać z witryny firmy OLYMPUS.
- Zawartość tej instrukcji może w przyszłości ulec zmianie bez wcześniejszego powiadomienia. Aby uzyskać najnowsze informacje dotyczące nazw produktów i numerów modeli, należy skontaktować się z centrum pomocy technicznej.
- Dołożono wszelkich starań, aby zapewnić prawidłowość informacji zawartych w tej instrukcji. W przypadku znalezienia wątpliwego elementu, błędu lub pominięcia prosimy o kontakt z centrum pomocy technicznej.
- Firma Olympus nie ponosi odpowiedzialności za bierne uszkodzenia lub szkody będące wynikiem utraty danych na skutek wady produktu, przeprowadzenia naprawy przez firmę inną niż Olympus lub autoryzowaną placówkę serwisową Olympus ani za szkody powstałe z innej przyczyny.

### Znaki towarowe i zastrzeżone znaki towarowe:

- Microsoft, Windows i Windows Media są zastrzeżonymi znakami towarowymi firmy Microsoft Corporation.
- Macintosh jest znakiem towarowym firmy Apple Inc.



### Bezpieczne i prawidłowe użytkowanie

- Przed uruchomieniem nowego dyktafonu należy dokładnie zapoznać się z niniejszą instrukcją obsługi, aby poznać zasady prawidłowego i bezpiecznego użytkowania. Prosimy o umieszczenie niniejszej instrukcji obsługi w łatwo dostępnym miejscu, aby zawsze mogła służyć pomocą.
- Za pomocą symboli ostrzegawczych zostały oznaczone istotne informacje dotyczące bezpieczeństwa. Aby zapobiegać obrażeniom osób oraz uszkodzeniom mienia, należy zapoznać się z ostrzeżeniami i podanymi informacjami.

## Pierwsze kroki

### Nazwy elementów

- 1 Wbudowany mikrofon
  - 2 Gniazdo mikrofonowe – MIC
  - 3 Przełącznik HOLD
  - 4 Złącze USB
  - 5 Przycisk STOP (■)
  - 6 Przycisk PLAY/OK (▶)
  - 7 Przycisk ◀◀ (przewijanie do tyłu)
  - 8 Pokrywa komory baterii
  - 9 Przycisk FOLDER/INDEX
  - 10 Gniazdo słuchawkowe – EAR
  - 11 Wyświetlacz (panel LCD)
  - 12 Kontrolka nagrywania odtwarzania
  - 13 Przycisk REC (●)
  - 14 Przycisk +
  - 15 Przycisk ▶▶ (szybkie przewijanie do przodu)
  - 16 Przycisk –
  - 17 Przycisk DISP/MENU
  - 18 Przycisk ERASE (●)
  - 19 Szczelina na pasek
- Pasek nie jest dostarczany w zestawie. Należy nabyć go osobno.

### Wyświetlacz (panel LCD):

- 1 Wskaźnik folderu
- 2 Wskaźnik czułości mikrofonu
- Wskaźnik filtra niskich częstotliwości\*
- Wskaźnik VCVA (Aktywacji nagrywania głosem)
- Wskaźnik trybu nagrywania
- Wskaźnik szybkiego odtwarzania
- Wskaźnik wolnego odtwarzania
- Wskaźnik powtarzania fragmentu nagrania\*
- 3 Wskaźnik podpowiedzi
- 4 Wyświetlacz znakowy Wskaźnik poziomu nagrywania
- 5 Wskaźnik baterii
- 6 Wskaźnik blokady kasowania
- 7 Numer bieżącego pliku

\* Tylko w modelu VN-6500PC.

### Wkładanie baterii (rys. 1)

- 1 Naciśnij lekko strzałkę i otwórz pokrywę komory baterii przesuwając ją.
- 2 Włóż dwie baterie alkaliczne AAA, zwracając uwagę na prawidłowe ustawienie biegunów.
- 3 Zamknij dokładnie pokrywę komory baterii.
  - Po ustawieniu przełącznika HOLD w kierunku wskazywanym przez strzałkę, wyświetlacz wyłączy się po wyświetleniu napisu [HOLD]. Wykonaj następną czynność.

**W dyktafonie można opcjonalnie używać baterii akumulatorowej Ni-MH (BR401) firmy Olympus.**

### Wymiana baterii:

- Gdy na wyświetlaczu pojawi się symbol [☐], należy niezwłocznie wymienić baterie. Zalecane jest stosowanie baterii alkalicznych AAA. Po wyczerpaniu się baterii na wyświetlaczu pojawi się symbol [☐], a dyktafon wyłączy się.
- Przed wymianą baterii należy ustawić przełącznik HOLD w kierunku przeciwnym do wskazywanego przez strzałkę.

### Zasilanie (rys. 2)

#### Włączanie zasilania:

Przesuń przełącznik HOLD w kierunku przeciwnym do wskazywanego przez strzałkę.

#### Wyłączenie zasilania:

Przesuń przełącznik HOLD w kierunku wskazywanym przez strzałkę, gdy nie jest używany.

#### Tryb gotowości i wyłączenie wyświetlacza:

Jeżeli podczas nagrywania lub odtwarzania dyktafon zostanie zatrzymany na co najmniej 5 minut, przejdzie do trybu gotowości (oszczędzania energii), a wyświetlacz wyłączy się. Aby wyjść z trybu gotowości i włączyć wyświetlacz, naciśnij dowolny przycisk.

### Ustawianie daty i godziny [Time & Date] (rys. 3)

Po pierwszym włożeniu baterii i przy każdej ich wymianie, wskaźnik „Month” będzie migał. W takim przypadku należy ustawić godzinę i datę, wykonując czynności 4 do 6 opisane poniżej.

- 1 Naciśnij i przytrzymaj przycisk **DISP/MENU** przez co najmniej 1 sekundę, aby przejść do menu głównego.
- 2 Naciśnij przycisk **▶▶▶| lub ◀◀◀**, aby wybrać opcję **[Sub Menu]**.

- 3 Naciśnij przycisk **PLAY/OK (▶)**.
  - Na wyświetlaczu pojawi się opcja **[Time & Date]**, a wskaźnik **[▶◀◀▶▶]** będzie migał.

- 4 Naciśnij przycisk **▶▶▶| lub ◀◀◀**, aby wybrać pole do ustawienia.
  - Za pomocą migającego kursora wybierz pole „Month”, „Day”, „Year”, „Hour” lub „Minute”.

- 5 Naciśnij przycisk + lub -, aby ustawić wartość.
  - Wykonaj te same czynności (naciśnij przycisk **▶▶▶| lub ◀◀◀**), aby wybrać kolejne pole i naciśnij przycisk + lub -, aby ustawić wartość.

- 6 Naciśnij przycisk **PLAY/OK (▶)**, aby zatwierdzić wprowadzone ustawienia i wyjść z ekranu ustawień początkowych.
  - Zegar rozpocznie odliczanie od ustawionej daty i godziny.
  - Naciśnij przycisk **PLAY/OK (▶)**, aby aktywować ustawienia.

- 7 Naciśnij przycisk **STOP (■)**, aby zamknąć tryb menu.

### Informacje o folderach (rys. 4)

W dyktafonie dostępnych jest pięć folderów: **[A]**, **[B]**, **[C]**, **[D]** oraz **[E]**. Aby zmienić folder, należy nacisnąć przycisk **FOLDER/INDEX** przy zatrzymanym dyktafonie. W każdym folderze można nagrać maksymalnie 200 plików.

- ① Bieżący folder

### Nagrywanie (rys. 5)

- 1 Naciśnij przycisk **FOLDER/INDEX**, aby wybrać odpowiedni folder.
- 2 Naciśnij przycisk **REC (●)**, aby rozpocząć nagrywanie.
  - Kontrolka nagrywania/odtworzenia zaświeci się na czerwono i rozpocznie się nagrywanie.
- 3 Naciśnij przycisk **STOP (■)**, aby zatrzymać nagrywanie.
  - Nowe nagrania są zapisywane jako ostatni plik w folderze.

- ① Bieżący folder
- ② Bieżący tryb nagrywania
- ③ Numer bieżącego pliku
- ④ Czas nagrywania
- ⑤ Pozostały czas nagrania
- ⑥ Miernik poziomu nagrania

### Odtwarzanie (rys. 6)

- 1 Naciśnij przycisk **FOLDER/INDEX**, aby wybrać odpowiedni folder.
  - 2 Naciśnij przycisk **▶▶▶| lub ◀◀◀**, aby wybrać plik do odtworzenia.
  - 3 Naciśnij przycisk **PLAY/OK (▶)**, aby rozpocząć odtwarzanie.
    - Kontrolka nagrywania/odtworzenia zaświeci się na zielono, a na wyświetlaczu będzie widoczny aktualny czas odtwarzania.
  - 4 Naciśnij przycisk + lub -, aby ustawić odpowiednią głośność dźwięku.
    - Na wyświetlaczu zostanie wskazany poziom głośności. Można ustawić wartość od **[00]** do **[30]**.
- ① Numer bieżącego pliku
  - ② Czas odtwarzania

### Aby zatrzymać: (rys. 7)

- Naciśnij przycisk **STOP (■)**.
  - Dyktafon zatrzyma odtwarzanie bieżącego pliku.

### Kasowanie

#### Kasowanie plików pojedynczo (rys. 8)

- 1 Naciśnij przycisk **FOLDER/INDEX**, aby wybrać folder.
- 2 Naciśnij przycisk **▶▶▶| lub ◀◀◀**, aby wybrać plik do skasowania.
  - ① Plik do skasowania
- 3 Naciśnij przycisk **ERASE (●)**.
- 4 Naciśnij przycisk **▶▶▶|** aby wybrać opcję **[Start]**.
- 5 Naciśnij przycisk **PLAY/OK (▶)**.

#### Kasowanie wszystkich plików z folderu (rys. 9)

- 1 Naciśnij przycisk **FOLDER/INDEX**, aby wybrać folder do skasowania.
  - ① Folder do skasowania
- 2 Naciśnij dwukrotnie przycisk **ERASE (●)**.
- 3 Naciśnij przycisk **▶▶▶|** aby wybrać opcję **[Start]**.
- 4 Naciśnij przycisk **PLAY/OK (▶)**.

### Uwagi:

- Skasowanego pliku nie można przywrócić.
- Plik, dla którego ustawiono blokadę skasowania nie zostanie skasowany.
- Ukończenie kasowania może potrwać kilka sekund. W tym czasie nie wolno wyjmować i wymieniać baterii ani korzystać z innych funkcji dyktafonu, ponieważ może to spowodować uszkodzenie danych.

### Inne funkcje

#### Podłączenie do komputera PC (rys. 10)

- Dyktafonu można także użyć jako pamięci zewnętrznej dla komputera.
- Pliki audio nagrane na dyktafonie można przenieść do komputera, korzystając z programu Windows Media Player. Można także przenieść do dyktafonu pliki WMA pobrane w programie Windows Media Player i odtworzyć je (z wyłączeniem plików chronionych prawem autorskim).

#### 1 Połącz złącze USB w dyktafonie z portem USB w komputerze PC lub koncentratorze USB

- Po wyświetleniu komunikatu **[Remote]** można zapisywać i odczytywać dane.

#### 2 Przenieś pliki audio do komputera.

- Podłącz dyktafon do komputera i uruchom Eksplorator plików.
- Dyktafon zostanie rozpoznany jako dysk wymienny.
- Każdy z pięciu folderów ma nazwę **DSS\_FLDA, B, C, D i E**. W tych folderach zapisane są pliki audio.
- Wszystkie pliki audio nagrane na dyktafonie mają format WMA.

np.:

VN-6500PC:VN\_650001.WMA  
VN-5500PC:VN\_550001.WMA  
VN-3500PC:VN\_350001.WMA

- W przypadku korzystania z systemu Windows 2000 należy zainstalować na komputerze PC program Windows Media Player.

#### 3 Kliknij ikonę **[F1]** na pasku narzędzi w prawym dolnym rogu ekranu. Kliknij polecenie **[Bezpieczne usuwanie sprzętu]**.

- ① Złącze USB
- ② Wysyłanie danych
- ③ Odbieranie danych

<b>System Windows</b>	<b>System operacyjny:</b> Microsoft Windows 2000 / XP / Vista (instalacja standardowa)
	<b>Kompatybilne komputery:</b> Komputery PC z systemem Windows i więcej niż jednym wolnym portem USB
<b>System Macintosh</b>	<b>System operacyjny:</b> Mac OS X 10.2.8 ~ 10.5 (instalacja standardowa)
	<b>Kompatybilne komputery:</b> Komputery serii Apple Macintosh z więcej niż jednym wolnym portem USB

Obsługa serwisowa nie obejmuje komputerów PC z systemem zaktualizowanym z Windows 95 lub 98 do Windows 2000/XP/Vista. Awarie związane z samodzielnie zmodyfikowanym komputerem PC nie są objęte gwarancją dotyczącą obsługi.

#### Uwagi:

- NIGDY nie wolno odłączać przewodu USB, kiedy wskaźnik nagrywania/odtworzenia miga na czerwono. W przeciwnym razie może dojść do uszkodzenia danych.
- Informacje na temat portu USB lub koncentratora USB zawiera instrukcja obsługi komputera.
- Zakłócenia mogą wpływać na urządzenia elektroniczne znajdujące się w pobliżu dyktafonu, dlatego po podłączeniu go do komputera należy odłączyć słuchawki.

## Uwagi ogólne

Należy dokładnie zapoznać się z niniejszą instrukcją obsługi, aby poznać zasady prawidłowego i bezpiecznego użytkowania. Prosimy o umieszczenie niniejszej instrukcji obsługi w łatwo dostępnym miejscu, aby zawsze mogła służyć pomocą.

- Za pomocą symboli ostrzegawczych zostały oznaczone istotne informacje dotyczące bezpieczeństwa. Aby zapobiegać obrażeniu osób oraz uszkodzeniu mienia, należy zapoznać się z ostrzeżeniami i podanymi informacjami.

## Ostrzeżenie dotyczące utraty danych:

- W wyniku błędnej obsługi, nieprawidłowego działania urządzenia lub podczas naprawy może dojść do uszkodzenia lub skasowania zawartości pamięci.
- W przypadku ważnych nagrań zalecamy zapisanie ich treści lub wykonanie kopii zapasowej przez przesłanie do komputera PC.
- Firma Olympus nie ponosi odpowiedzialności za bierne uszkodzenia lub szkody będące wynikiem utraty danych na skutek wady produktu, przeprowadzenia naprawy przez firmę inną niż Olympus lub autoryzowaną placówkę serwisową Olympus ani za szkody powstałe z innych przyczyn.

## Bezpieczne i prawidłowe użytkowanie

- Słuchawek należy używać dopiero po upewnieniu się, że głośność nie jest ustawiona na zbyt wysoki poziom, ponieważ zbyt głośny dźwięk może spowodować uszkodzenie słuchu.
- Nie należy używać słuchawek z głośnością ustawioną na maksymalną wartość przez dłuższy czas, ponieważ może to spowodować uszkodzenie słuchu.
- Przed wymianą baterii należy zatrzymać nagrywanie. Wyjęcie baterii podczas nagrywania może doprowadzić do uszkodzenia pliku.
- Nie należy pozostawiać dyktafonu w miejscach, w których występuje wysoka temperatura i wilgotność ani wystawiać go na bezpośrednie działanie promieni słonecznych, np. wewnątrz zamkniętego samochodu stojącego bezpośrednio w następnym miejscu.
- Nie należy narażać dyktafonu na działanie wilgoci i kurzu.
- Do czyszczenia urządzenia nie należy stosować rozтворów organicznych, takich jak alkohol, czy rozpuszczalniki do farb.
- Nie należy umieszczać dyktafonu w urządzeniach elektrycznych, takich jak odbiorniki telewizyjne, bądź lodówki w ich pobliżu.
- Należy unikać nagrywania i odtwarzania w pobliżu telefonów komórkowych oraz innych urządzeń przewodowych, ponieważ mogą one powodować zakłócenia lub

szumy. W przypadku zakłóceń należy przejść w inne miejsce lub oddalić dyktafon od źródła zakłóceń.

- Nie należy dopuszczać do przedostawania się piasku lub zanieczyszczeń do wnętrza urządzenia. Piasek i zanieczyszczenia mogą spowodować uszkodzenia, których nie będzie można naprawić.
- Nie należy potrząsać urządzeniem ani poddawać go silnym drganiom.
- Nie należy samodzielnie demontować urządzenia, naprawiać go ani modyfikować.
- Nie należy korzystać z urządzenia w trakcie prowadzenia pojazdów (takich jak rower, motocykl czy gokart).
- Urządzenie należy przechowywać w miejscach niedostępnych dla dzieci.

## Bateria

### ⚠ Ostrzeżenie:

- W żadnym wypadku nie wolno wkładać do przedziału baterii innych przedmiotów. Może to spowodować wyciek elektrolitu, przegrzanie, pożar lub wybuch.
- Nie wolno umieszczać baterii w pobliżu ognia, w miejscach, w których panuje wysoka temperatura, zwierać ich biegunów, ani demontować.
- Nie należy powtórnie ładować baterii alkalicznych, litowych ani żadnych innych baterii jednorazowego użytku.
- Nie należy nie używać baterii, których powłoka zewnętrzna jest uszkodzona lub popękana.
- Baterie należy przechowywać w miejscach niedostępnych dla dzieci.
- Jeśli podczas pracy urządzenie generuje nieprawidłowe dźwięki, jest nadmiernie nagrzane lub wyczuwalny jest zapach spalenizny albo dym:
  - ① niezwłocznie wyjmij baterie, zachowując ostrożność, aby uniknąć poparzenia,
  - ② skontaktuj się ze sprzedawcą lub lokalnym przedstawicielem firmy Olympus w celu wykonania czynności serwisowych.

## Dane techniczne

### Nośnik danych:

Wbudowana pamięć flash

### Zakres częstotliwości:

**VN-6500PC, VN-5500PC:**

Tryb HQ: 200 do 13 000 Hz

Tryb SQ: 200 do 7 000 Hz

Tryb LP: 200 do 3 000 Hz

**VN-3500PC:**

Tryb HQ: 200 do 13 000 Hz

Tryb SQ: 200 do 7 000 Hz

Tryb LP: 200 do 3 000 Hz

### Czas nagrywania:

**VN-6500PC, VN-5500PC: 512 MB**

Tryb HQ: ok. 35 godzin 20 minut

Tryb SP: ok. 69 godzin 35 minut

Tryb LP: ok. 221 godzin 30 minut

**VN-3500PC: 128 MB**

Tryb HQ: ok. 8 godzin 40 minut

Tryb SP: ok. 17 godzin 10 minut

Tryb LP: ok. 54 godzin 40 minut

- Podane powyżej czasy nagrywania dotyczą czasów po usunięciu instrukcji obsługi zapisanej w dyktafonie.

- Instrukcję obsługi można usunąć, podłączając dyktafon do komputera lub formatując dyktafon. Szczegółowe informacje zawiera sekcja „Formatowanie dyktafonu [Format]”.

- Przed usunięciem danych należy utworzyć kopie zapasowe pliku PDF z instrukcją obsługi.

### Mikrofon:

Elektretowy mikrofon pojemnościowy (monofoniczny)

### Głośnik:

Wbudowany okrągły głośnik dynamiczny  $\varnothing$  23 mm

### Maksymalna moc:

250 mW

### Maksymalna wartość sygnału wyjściowego:

$\leq$  150 mV

(zgodnie z normą EN 50332-2)

### Gniazdo słuchawkowe (monofoniczne):

$\varnothing$  3,5 mm, impedancja 8  $\Omega$

### Gniazdo mikrofonowe (monofoniczne):

$\varnothing$  3,5 mm, impedancja 2 k $\Omega$

### Zasilanie:

Dwie baterie AAA (LR03) lub dwie baterie akumulatorowe Ni-MH

### Ciągłe korzystanie z baterii:

Baterie alkaliczne:

ok. 37 godzin

Baterie akumulatorowe Ni-MH:

ok. 25 godzin

### Wymiary:

102 (dł.) mm x 37 (szer.) mm x 18,8 (gr.) mm

(bez elementów wystających)

### Waga: 64,8 g (łącznie z bateriami)

- Żywotność baterii została zmierzona przez firmę Olympus. Zmienia się znacznie w zależności od typu zastosowanych baterii oraz warunków użytkowania.

- Nagrania mogą służyć wyłącznie do użytku osobistego. Nagrywanie materiałów objętych prawem autorskim bez zgody właściciela tych praw jest zabronione zgodnie z ustawą o prawie autorskim.

- Zmiany w specyfikacji i projekcie poprawiające funkcjonalność mogą zostać wprowadzone bez uprzedzenia.

## Akcesoria (opcjonalne)

### Ładownia baterii

akumulatorowych Ni-MH:

BU-400 (tylko w Europie)

Bateria akumulatorowa Ni-MH:

BR401

Przewód połączeniowy (gniazdo

słuchawkowe ↔ gniazdo

mikrofonowe): KA333

Mikrofon tłumiący zakłócenia:

ME52

Elektretowy mikrofon

pojemnościowy:

ME15

Monofoniczne słuchawki

dwuoszne: E20

Zestaw do nagrywania rozmów

telefonicznych: TP7

Pasek na szyję: ST26



Oznaczenie „CE” wskazuje, że niniejszy produkt jest zgodny z europejskimi wymaganiami dotyczącymi bezpieczeństwa, zdrowia oraz ochrony środowiska i klienta.



Ten symbol [przekreślony wizerunek kosza na kółkach, zgodny z dyrektywą WEEE, aneks IV] oznacza, że we wszystkich krajach UE wymagane jest segregowanie odpadów z urządzeń elektronicznych i elektrycznych od innych odpadów.

Urządzeń opatrzonych takim symbolem nie należy wyrzucać z odpadami komunalnymi. W celu usunięcia niniejszego produktu należy skorzystać z usług zwrotu i odbioru takich produktów.

Produkt: VN-6500PC, VN-5500PC, VN-3500PC



Ten symbol [przekreślony wizerunek kosza na kółkach, zgodny z dyrektywą 2006/66/EC, aneks II] oznacza, że we wszystkich krajach UE wymagane jest

segregowanie zużytych akumulatorów. Akumulatorów opatrzonych takim symbolem nie należy wyrzucać z odpadami komunalnymi. W celu usunięcia zużytych akumulatorów należy skorzystać z usług zwrotu i odbioru takich produktów.

## PT Introdução

- Este manual é uma versão básica. Consulte o manual avançado completo nos dados armazenados na pasta **[OL\_MANUAL]** do gravador ou descarregue os dados a partir do website da OLYMPUS.
- O conteúdo deste documento pode ser alterado no futuro sem aviso prévio. Contacte o nosso Centro de assistência ao cliente para obter as informações mais recentes sobre nomes de produtos e números de modelos.
- Foi exercido o maior cuidado no sentido de garantir a integridade do conteúdo deste documento. Embora improvável, é possível que surja um termo questionável, um erro ou uma omissão e, nesse caso, contacte o nosso Centro de assistência ao cliente.
- A Olympus não assume qualquer responsabilidade pela ocorrência de qualquer tipo de danos passivos ou danos de outra natureza, pela perda de dados devido a defeitos do produto, reparações realizadas por terceiros que não façam parte da Olympus ou do respectivo serviço de assistência autorizado da Olympus.

### Marcas comerciais e marcas comerciais registadas:

- Microsoft, Windows e Windows Media são marcas comerciais registadas da Microsoft Corporation.
- Macintosh é uma marca comercial da Apple Inc.



### Utilização correcta e segura

Antes de utilizar o gravador, leia este manual atentamente para assegurar um funcionamento correcto e em segurança. Guarde este manual num local acessível para consulta futura.

- Os símbolos de aviso indicam informações de segurança importantes. Para sua protecção e de terceiros contra danos pessoais ou de propriedade, é fundamental que leia sempre os avisos e as instruções fornecidas.

## Iniciação

### Identificação das pastas

- 1 Microfone incorporado
  - 2 Tomada MIC (Microfone)
  - 3 Interruptor HOLD
  - 4 Terminal USB
  - 5 Botão STOP (■)
  - 6 Botão PLAY/OK (▶)
  - 7 Botão ◀◀ (Retrasso)
  - 8 Tampa das pilhas
  - 9 Botão FOLDER/INDEX
  - 10 Tomada EAR (Auricular)
  - 11 Ecrã (Painel LCD)
  - 12 Luz indicadora de gravação/reprodução
  - 13 Botão REC (●)
  - 14 Botão +
  - 15 Botão ▶▶ (Avanço rápido)
  - 16 Botão -
  - 17 Botão DISP/MENU
  - 18 Botão ERASE (●)
  - 19 Ilhó da correia
- A correia de transporte não é fornecida. Utilize o acessório opcional.

### Ecrã (Painel LCD):

- 1 Indicador de pastas
- 2 [M] Indicador de sensibilidade do microfone
- [MC] Indicador do Filtro LowCut\*
- [VCVA] Indicador VCVA (Variable Control Voice Actuator)
- [HQ SP LP] Indicador do modo de gravação
- [▶] Indicador de reprodução rápida
- [◻] Indicador de reprodução lenta
- [C] Indicador da reprodução de repetição de segmento\*
- 3 Indicador guia
- 4 Ecrã de informação de caracteres
- Indicador de nível da gravação
- 5 Indicador de carga das pilhas
- 6 Indicador de bloqueio de eliminação
- 7 Número do ficheiro actual

\* Apenas no VN-6500PC.

### Introduzir pilhas (Fig. 1)

- 1 Prima ligeiramente a seta e faça deslizar a tampa das pilhas.
- 2 Insira duas pilhas alcalinas AAA, verificando se a polaridade está correcta.
- 3 Feche completamente a tampa das pilhas.
  - Quando o interruptor HOLD é posicionado na direcção da seta, o ecrã desliga-se após a apresentação de [HOLD]. Execute o passo seguinte ignorando essa situação.

**Pode, como opção, utilizar no gravador pilhas recarregáveis Ni-MH (BR401) da Olympus.**

### Substituir as pilhas:

Quando o ícone [ ] é apresentado no ecrã, substitua as pilhas logo que possível. Recomenda-se a utilização de pilhas alcalinas AAA. Quando as baterias estão sem carga, o ícone [ ] é apresentado no ecrã e o gravador desliga-se.

- Para substituir as pilhas, certifique-se de que posiciona o interruptor HOLD na direcção oposta à da seta antes de iniciar a substituição.

### Fonte de alimentação (Fig. 2)

#### Ligar:

Faça deslizar o interruptor HOLD na direcção oposta à indicada pela seta.

#### Desligar:

Faça deslizar o interruptor HOLD na direcção indicada pela seta, sem o gravador estar em funcionamento.

#### Modo de descanso e Desligar do ecrã:

Se o gravador estiver parado durante 5 minutos ou mais durante a gravação ou reprodução, entra em Modo de descanso (poupança de energia), e o ecrã desliga-se. Para sair do Modo de descanso e ligar o ecrã, prima um botão.

### Definir a Hora e a Data

#### [Time & Date] (Fig. 3)

Ao instalar pilhas pela primeira vez, ou sempre que o fizer, a indicação "Month" será apresentada. Neste caso, acerte a hora e a data, executando os passos 4 a 6 descritos a seguir.

1 Prima sem soltar o botão **DISP/MENU** durante um segundo ou mais para aceder ao menu principal.

2 Prima o botão **▶▶|** ou **◀◀|** para seleccionar **[Sub Menu]**.

3 Prima o botão **PLAY/OK (▶)**.  
• **[Time & Date]** aparece no ecrã, e **[◀◀00▶▶]** fica intermitente.

4 Prima o botão **▶▶|** ou **◀◀|** para seleccionar o item a definir.  
• Selecciona o item **"Month"**, **"Day"**, **"Year"**, **"Hour"** e **"Minute"** com um ponto intermitente.

5 Prima o botão **+** ou **-** para definir.  
• Execute os mesmos passos, premindo o botão **▶▶|** ou **◀◀|** para seleccionar o item seguinte e, em seguida, prima o botão **+** ou **-** para definir.

6 Prima o botão **PLAY/OK (▶)** para concluir o ecrã de configuração.  
• O relógio será iniciado de acordo com a data e hora definidas.  
• Prima o botão **PLAY/OK (▶)** de acordo com o sinal de hora.

7 Prima o botão **STOP (■)** para fechar o modo de menu.

#### Notas sobre as pastas (Fig. 4)

O gravador dispõe de cinco pastas, **[A]**, **[B]**, **[C]**, **[D]** e **[E]**. Para alterar a selecção das pastas, prima o botão **FOLDER/INDEX** com o gravador parado. Poderá gravar até um total de 200 ficheiros em cada pasta.

① Pasta actual

#### Gravar (Fig. 5)

1 Prima o botão **FOLDER/INDEX** para seleccionar a pasta pretendida.

2 Prima o botão **REC (●)** para iniciar a gravação.  
• A luz vermelha indicadora de gravação/reprodução acende, e a gravação é iniciada.

3 Prima o botão **STOP (■)** para parar a gravação.  
• As novas gravações são guardadas como último ficheiro da pasta.

- ① Pasta actual
- ② Modo de gravação actual
- ③ Número do ficheiro actual
- ④ Tempo de gravação

- ⑤ Tempo restante de gravação
- ⑥ Indicador de nível de gravação

#### Reprodução (Fig. 6)

1 Prima o botão **FOLDER/INDEX** para seleccionar a pasta pretendida.

2 Prima o botão **▶▶|** ou **◀◀|** para seleccionar o ficheiro a reproduzir.

3 Prima o botão **PLAY/OK (▶)** para iniciar a reprodução.  
• A luz verde indicadora de gravação/reprodução acende, e o tempo de reprodução decorrido é indicado no ecrã.

4 Prima o botão **+** ou **-** para seleccionar o volume de som adequado.  
• O ecrã indica o nível do volume. É possível escolher entre **[00]** e **[30]**.

- ① Número do ficheiro actual
- ② Tempo de reprodução

#### Para parar: (Fig. 7)

Prima o botão **STOP (■)**.

• O gravador pára a meio do ficheiro que está a ser reproduzido.

#### Apagar

##### Apagar um ficheiro de cada vez (Fig. 8)

1 Prima o botão **FOLDER/INDEX** para seleccionar a pasta.

2 Prima o botão **▶▶|** ou **◀◀|** para seleccionar o ficheiro que pretende apagar.

① Ficheiro a apagar

3 Prima o botão **ERASE (●)**.

4 Prima o botão **▶▶|** para seleccionar **[Start]**.

5 Prima o botão **PLAY/OK (▶)**.

##### Apagar todos os ficheiros de uma pasta (Fig. 9)

1 Prima o botão **FOLDER/INDEX** para seleccionar a pasta que pretende apagar.

① Pasta a apagar

2 Prima duas vezes o botão **ERASE (●)**.

3 Prima o botão **▶▶|** para seleccionar **[Start]**.

4 Prima o botão **PLAY/OK (▶)**.

#### Notas:

- Não é possível restaurar ficheiro apagado.
- Os ficheiros bloqueados contra eliminação não são apagados.
- A eliminação pode demorar alguns segundos até estar concluída. Não tente retirar ou substituir as pilhas, ou utilizar outras funções do gravador de voz durante este período, visto que poderá corromper dados.

#### Outras funções

##### Ligar ao PC (Fig. 10)

Para além de utilizar esta unidade como gravador, também é possível utilizá-la como unidade de memória externa do computador, como dispositivo de armazenamento.

• Os ficheiros de áudio gravados por este gravador também podem ser reproduzidos no computador através do Windows Media Player. Também é possível usufruir de ficheiros WMA transferidos com o Windows Media Player e transferidos depois para o gravador (excepto ficheiros com protecção de direitos de autor).

1 Ligue o terminal USB do gravador a uma porta USB do PC ou a um hub USB.

• Assim que **[Remote]** for apresentada, é possível guardar ou ler os dados.

2 Transfira os ficheiros de áudio para o computador.

• Ligue o gravador ao computador e inicie o Explorer.

• O gravador será reconhecido como um disco amovível.

• O nome de cada uma das cinco pastas será **DSS\_FLDA, B, C, D** e **E**. Os ficheiros de áudio são guardados nessas pastas.

• Todas os ficheiros de áudio produzidos por este gravador têm o formato WMA.

por ex.:

VN-6500PC: VN\_650001.WMA  
VN-5500PC: VN\_550001.WMA  
VN-3500PC: VN\_350001.WMA

• Se utilizar o Windows 2000, é necessário ter o Windows Media Player instalado no PC.

### 3 Faça clique em na barra de tarefas localizada no canto inferior direito do ecrã. Faça clique em [Remover o hardware com segurança].

- 1 Terminal USB
- 2 Enviar dados
- 3 Receber dados

#### Utilizar o gravador no PC

Windows	<b>Sistema Operativo:</b> Microsoft Windows 2000 / XP / Vista (Instalação padrão)
	<b>PCs compatíveis:</b> Computadores Windows equipados com mais do que uma porta USB livre
Macintosh	<b>Sistema Operativo:</b> Mac OS X 10.2.8 ~ 10.5 (Instalação padrão)
	<b>PCs compatíveis:</b> Computadores Apple Macintosh equipados com mais do que uma porta USB livre

O serviço de assistência técnica não é abrangente se o PC tiver sido actualizado do Windows 95 ou 98 para o Windows 2000/XP/Vista. Qualquer avaria num PC que tenha sido modificado pelo próprio utilizador não é abrangida pela garantia operacional.

#### Notas:

- NUNCA desligue o cabo USB enquanto a luz vermelha indicadora de gravação / reprodução estiver acesa. Se o fizer, os dados podem ser destruídos.
- Consulte o manual do utilizador do seu PC relativamente à porta ou hub USB do PC.
- Uma vez que os ruídos poderão provocar efeitos adversos nos dispositivos electrónicos próximos do gravador, desligue o microfone externo e os auriculares quando ligar o gravador a um PC.

## Precauções gerais

Leia cuidadosamente este manual para garantir que sabe utilizá-lo de forma segura e correcta. Guarde este manual num local acessível para consulta futura.

- Os símbolos de aviso indicam informações de segurança importantes. Para sua protecção e de terceiros contra danos pessoais ou de propriedade, é fundamental que leia sempre os avisos e as informações fornecidas.

#### Avisos sobre perda de dados:

- As gravações guardadas na memória podem ser destruídas ou apagadas por erros de utilização, devido ao funcionamento incorrecto do aparelho ou durante o processo de reparação.
- No caso de conteúdos gravados importantes, recomendamos a sua gravação noutro dispositivo ou a realização de cópias de segurança num PC.
- A Olympus não assume qualquer responsabilidade pela ocorrência de qualquer tipo de danos passivos ou danos de outra natureza, pela perda de dados devido a defeitos do produto, reparações realizadas por terceiros que não façam parte da Olympus ou do respectivo serviço de assistência autorizado da Olympus.

## Para uma utilização correcta e segura

- Utilize o auricular apenas depois de reduzir suficientemente o respectivo volume, caso contrário poderá provocar lesões e/ou problemas de audição nos seus ouvidos.
- Não utilize o auricular a um volume elevado durante um período de tempo prolongado, caso contrário poderá provocar lesões e/ou problemas de audição nos seus ouvidos.
- Certifique-se de que pára o gravador antes de substituir as pilhas. Se retirar as pilhas do gravador durante a utilização do mesmo, poderá danificar o ficheiro.
- Não coloque o gravador em locais quentes e húmidos, tais como no interior de um carro exposto ao sol ou na praia durante o Verão.
- Não guarde o gravador em locais húmidos ou com sujidade.
- Não utilize solventes orgânicos, tais como álcool e diluente para limpar a unidade.
- Não coloque o gravador sobre ou próximo de aparelhos eléctricos, tais como TVs ou frigoríficos.

- Evite gravar ou reproduzir próximo de telemóveis ou de outro tipo de equipamento sem fios, uma vez que poderão causar interferências e ruídos. Se verificar a existência de ruídos, desligue-se para outro local ou afaste o gravador do equipamento em questão.

- Evite o contacto com areia ou sujidade. Podem causar danos irreparáveis.
- Evite vibrações fortes ou choques.
- Não desmonte, repare ou modifique a unidade.
- Não trabalhe com o aparelho enquanto conduz um veículo (como, por exemplo, uma bicicleta, uma motorizada ou um Kart).
- Mantenha o aparelho fora do alcance das crianças.

#### Pilhas

##### Aviso:

- Nunca introduza, em nenhuma circunstância, outras peças para além da unidade principal no interior do compartimento das pilhas. Fazê-lo pode causar fuga das pilhas, sobreaquecimento, incêndio ou explosão.
- As pilhas não devem ser expostas a fontes de calor, aquecidas, desmontadas ou submetidas a curto-circuito.
- Não tente recarregar pilhas alcalinas, de lítio ou qualquer outro tipo de pilhas não recarregáveis.
- Nunca utilize pilhas com a protecção exterior danificada.
- Mantenha as pilhas fora do alcance das crianças.
- Se detectar qualquer tipo de anomalia no funcionamento deste produto, como por exemplo ruído anormal, aquecimento, fumo ou cheiro a queimado:
  - 1 retire as pilhas imediatamente, tendo o cuidado de não se queimar e
  - 2 contacte o revendedor ou o representante local da Olympus para obter assistência.

## Especificações

- Suporte de gravação: Memória integrada



### Frequência geral:

**VN-6500PC, VN-5500PC:**

Modo HQ: 200 a 13 000 Hz

Modo SQ: 200 a 7 000 Hz

Modo LP: 200 a 3 000 Hz

**VN-3500PC:**

Modo HQ: 200 a 13 000 Hz

Modo SQ: 200 a 7 000 Hz

Modo LP: 200 a 3 000 Hz

### Tempo de gravação:

**VN-6500PC, VN-5500PC: 512 MB**

Modo HQ: Aprox. 35 horas e 20 minutos

Modo SP: Aprox. 69 horas e 35 minutos

Modo LP: Aprox. 221 horas e 30 minutos

**VN-3500PC: 128 MB**

Modo HQ: Aprox. 8 horas e 40 minutos

Modo SP: Aprox. 17 horas e 10 minutos

Modo LP: Aprox. 54 horas e 40 minutos

- Os tempos de gravação indicados acima indicam os tempos conseguidos após a eliminação dos dados do manual armazenados no gravador.
- Os dados do manual podem ser eliminados através da ligação a um computador e da formatação do gravador. Para obter informações detalhadas, consulte "Formatar o gravador [Format]".
- Antes de eliminar os dados, é aconselhável fazer uma cópia de segurança dos dados em PDF do manual.

### Microfone:

Microfone de condensador de electro (mono)

### Altifalante:

Integrado, de tipo dinâmico com  $\varnothing$  de 23 mm

### Potência máxima:

250 mW

### Saída máxima do auricular:

≤ 150 mV

(de acordo com EN 50332-2)

### Tomada de auriculares (mono):

$\varnothing$  3,5 mm de diâmetro, 8  $\Omega$  de impedância

### Tomada de microfone (mono):

$\varnothing$  3,5 mm de diâmetro, 2 k $\Omega$  de impedância

### Fonte de alimentação:

Duas pilhas AAA (LR03) ou duas pilhas recarregáveis Ni-MH

### Autonomia em utilização contínua:

Pilhas alcalinas:

Aprox. 37 horas

Pilhas recarregáveis Ni-MH:

Aprox. 25 horas

### Dimensões:

102 (C) mm x 37 (L) mm x 18,8 (P) mm (excluindo saliências)

**Peso:** 64,8 g (incluindo as pilhas)

- A duração das pilhas é medida pela Olympus. No entanto, pode variar bastante, consoante o tipo de pilhas utilizadas e as condições de utilização.
- O conteúdo gravado destina-se unicamente a uso pessoal. Ao abrigo da lei, é proibido gravar material protegido por direitos de autor sem a autorização dos detentores dos direitos de autor.
- As especificações e o design estão sujeitos a alteração sem aviso prévio para melhoria do desempenho.

## Acessórios (Opcional)

### Carregador de pilhas recarregáveis

Ni-MH: BU-400 (Apenas Europa)

**Pilhas recarregáveis Ni-MH:** BR401

### Cabo de ligação (Tomada de

auriculares ↔ Tomada de

microfone): KA333

### Microfone com cancelamento

de ruído: MES2

### Microfone de condensador

de electro: ME15

**Auriculares mono duplos:** E20

**Microfone para telefone:** TP7

**Correia de transporte:** ST26



A marca "CE" indica que este produto está em conformidade com os requisitos europeus de segurança, saúde, protecção ambiental e do consumidor.



Este símbolo [contendor de rodas com uma cruz WEEE Anexo IV] indica uma separação diferenciada entre o desperdício de equipamento eléctrico e electrónico nos países da UE.

Por favor, não elimine o equipamento juntamente com o lixo doméstico. Por favor, utilize os sistemas de recolha disponíveis no seu país para eliminar este produto.

Produto Aplicável: VN-6500PC, VN-5500P, VN-3500PC



Este símbolo [contendor de rodas com uma cruz Directiva 2006/66/CE Anexo II] indica uma separação diferenciada entre o desperdício de pilhas nos países da

UE. Por favor, não elimine as pilhas juntamente com o lixo doméstico. Por favor, utilize os sistemas de recolha disponíveis no seu país para eliminar o desperdício de pilhas.

- Această versiune a manualului conține noțiunile elementare. Vă rugăm să consultați versiunea completă a manualului care conține noțiuni avansate fie din directorul **[OL\_MANUAL]** stocat în memoria reportofonului, fie descărcând manualul de pe pagina de internet OLYMPUS.
- Conținutul acestui document poate fi modificat în viitor fără notificare prealabilă. Pentru cele mai noi informații despre denumirile produselor și numerele modelelor, contactați centrul nostru de asistență pentru clienți.
- Integritatea conținutului acestui document este asigurată cu cea mai mare atenție. În cazul în care depistați elemente problematice, erori sau omisiuni, vă rugăm să contactați centrul nostru de asistență pentru clienți.
- Olympus nu își asumă nici o responsabilitate în privința daunelor pasive sau a daunelor de orice fel provocate de un eventual defect al aparatului, reparații executate de terțe părți altele decât Olympus sau de către un centru de service autorizat de Olympus sau din orice alt motiv.

### Mărci comerciale și mărci înregistrate:

- Microsoft, Windows și Windows Media sunt mărci înregistrate ale Microsoft Corporation.
- Macintosh este o marcă comercială a Apple Inc.



### Utilizarea corespunzătoare în condiții de siguranță

- Înainte de punerea în funcțiune a reportofonului, citiți cu atenție acest manual pentru a învăța să-l utilizați corect și în condiții de siguranță. Păstrați manualul într-un loc ușor accesibil pentru consultări ulterioare.**
- Simbolurile de avertizare indică informații importante privind siguranța. Pentru a evita rănirea personală sau eventuale daune asupra bunurilor dumneavoastră sau ale altor persoane, este esențial să citiți mesajele de avertizare și informațiile furnizate.

## Noțiuni introductive

### Părțile componente

- 1 Microfon încorporat
  - 2 Mufă MIC (Microfon)
  - 3 Comutator HOLD
  - 4 Mufă USB
  - 5 Buton STOP (■)
  - 6 Buton PLAY/OK (▶)
  - 7 Buton ◀◀ (Derulare spre început)
  - 8 Capac baterii
  - 9 Buton FOLDER/INDEX
  - 10 Mufă EAR (Căști)
  - 11 Ecran (LCD)
  - 12 Indicator luminos înregistrare/redare
  - 13 Buton REC (●)
  - 14 Buton +
  - 15 Buton ▶▶ (Derulare spre sfârșit)
  - 16 Buton -
  - 17 Buton DISP/MENU
  - 18 Buton ERASE (●)
  - 19 Orificiu curelușă
- Curelușa nu este inclusă. Utilizați accesoriul opțional.

### Ecranul (LCD):

- 1 Indicator director
- 2 Indicator sensibilitate microfon
- Indicator filtru LowCut\*
- Indicator funcție de Acționare vocală cu control variabil
- [HQ SP LP] Indicator mod înregistrare
- Indicator redare la viteză mărită
- Indicator redare la viteză redusă
- Indicator redare repetată segment\*
- 3 Indicator ghid
- 4 Afișare informații caractere
- 5 Volumetru înregistrare
- 6 Indicator baterii
- 5 Indicator protecție la ștergere
- 7 Număr fișier curent

\* Numai pentru VN-6500PC.

### Introducerea bateriilor (Fig. 1)

- 1 Apăsați ușor pe săgeată și deschideți capacul compartimentului bateriilor prin glisare.
- 2 Introduceți două baterii alcaline mărimea AAA, respectând polaritatea indicată.
- 3 Închideți complet capacul compartimentului bateriilor.
  - Când comutatorul HOLD este poziționat în direcția săgeții, ecranul se va stinge după ce pe ecran apare [HOLD]. Executați pasul următor fără a acorda atenție acestui lucru.

**Pentru reportofon se pot folosi acumulatorii Olympus Ni-MH BR401 (opțional).**

### Înlocuirea bateriilor:

Când apare pe ecran, înlocuiți bateriile cât mai curând. Sunt recomandate baterii alcaline mărimea AAA. Când bateriile sunt epuizate, pe ecran apare , iar reportofonul se oprește.

- Pentru a înlocui bateriile, poziționați comutatorul HOLD în direcția opusă săgeții înainte de înlocuire.

### Alimentarea cu energie (Fig. 2)

#### Pornire:

Poziționați comutatorul HOLD în poziția opusă celei indicate de săgeată.

#### Oprire:

Poziționați comutatorul HOLD în direcția indicată de săgeată când reportofonul nu este în funcțiune.

#### Modul Standby și Stingere automată a ecranului:

Dacă reportofonul se află în mod stop mai mult de 5 minute în timpul înregistrării sau redării, acesta intră în mod Standby (economisire de energie), iar ecranul se stinge. Pentru a părăsi modul Standby și a reaprinde ecranul, apăsați orice buton.

### Fixarea orei și a datei [Time & Date] (Fig. 3)

Când introduceți bateriile pentru prima dată sau de fiecare dată când înlocuiți bateriile, indicatorul „Month” se va aprinde intermitent. În acest caz, fixați ora și data urmând pașii de la 4 la 6 descriși mai jos.

1 **Țineți apăsat butonul DISP/MENU timp de minim 1 secundă pentru a accesa meniul principal.**

2 **Apăsați butonul ►►► sau ◀◀◀ pentru a selecta [Sub Menu].**

3 **Apăsați butonul PLAY/OK (►).**  
• [Time & Date] apare pe ecran, iar [◀◀◀►►►] se aprinde intermitent.

4 **Apăsați butonul ►►► sau ◀◀◀ pentru a selecta elementul de configurat.**

- Selectați unul din elementele „Month”, „Day”, „Year”, „Hour” și „Minute” cu punctul intermitent.

5 **Apăsați butonul + sau – pentru reglare.**

- Urmați aceeași pași apăsând butonul ►►► sau ◀◀◀ pentru a selecta elementul următor, iar apoi apăsați butonul + sau – pentru reglare.

6 **Apăsați butonul PLAY/OK (►) pentru a incheia configurarea.**

- Ceasul va indica ora și data începând cu cele fixate.
- Apăsați butonul PLAY/OK (►) în funcție de semnalul de reglare a orei.

7 **Apăsați butonul STOP (■) pentru a părăsi meniul.**

### Despre directoare (Fig. 4)

Reportofonul dispune de cinci directoare, [F1], [F2], [F3], [F4] și [F5]. Pentru a selecta un alt director, apăsați butonul FOLDER/INDEX când reportofonul este în mod stop. În fiecare director pot fi stocate în total 200 de fișiere.

① Directorul curent

### Înregistrarea (Fig. 5)

1 **Apăsați butonul FOLDER/INDEX pentru a selecta directorul dorit.**

2 **Apăsați butonul REC (●) pentru a începe înregistrarea.**

- Indicatorul luminos înregistrare/redare se aprinde în roșu și începe înregistrarea.

3 **Apăsați butonul STOP (■) pentru a opri înregistrarea.**

- Orice nouă înregistrare este salvată sub forma unui ultim fișier în director.

① Directorul curent

② Modul curent de înregistrare

③ Număr fișier curent

④ Durata înregistrării

⑤ Timpul disponibil pentru înregistrare

⑥ Volumetru înregistrare

### Redarea (Fig. 6)

1 **Apăsați butonul FOLDER/INDEX pentru a selecta directorul dorit.**

2 **Apăsați butonul ►►► sau ◀◀◀ pentru a selecta fișierul pentru redare.**

3 **Apăsați butonul PLAY/OK (►) pentru a porni redarea.**

- Indicatorul luminos înregistrare/redare se aprinde în verde, iar pe ecran este afișat timpul de redare parcurs.

4 **Apăsați butonul + sau – pentru a selecta volumul corespunzător al sunetului.**

- Pe ecran apare nivelul volumului. Puteți selecta un nivel de la [00] la [30].

① Număr fișier curent

② Timp redare

Pentru a opri redarea: (Fig. 7)

Apăsați butonul STOP (■).

- Reportofonul oprește redarea fișierului redat în acel moment.

### Ștergerea

#### Ștergerea pe rând a fișierelor (Fig. 8)

1 **Apăsați butonul FOLDER/INDEX pentru a selecta directorul dorit.**

2 **Apăsați butonul ►►► sau ◀◀◀ pentru a selecta fișierul pe care doriți să-l ștergeți.**

① Fișierul de șters

3 **Apăsați butonul ERASE (●).**

4 **Apăsați butonul ►►► pentru a selecta [Start].**

5 **Apăsați butonul PLAY/OK (►).**

#### Ștergerea tuturor fișierelor dintr-un director (Fig. 9)

1 **Apăsați butonul FOLDER/INDEX pentru a selecta directorul pe care doriți să-l ștergeți.**

① Directorul de șters

2 **Apăsați de două ori butonul ERASE (●).**

3 **Apăsați butonul ►►► pentru a selecta [Start].**

4 **Apăsați butonul PLAY/OK (►).**

**Observații:**

- Fișierele șterse nu pot fi recuperate.
- Fișierele pentru care a fost activată protecția la ștergere nu vor fi șterse.
- Procesul de ștergere poate dura mai multe secunde. Nu încercați să scoateți bateriile sau să acționați orice altă funcție a reportofonului în acest timp deoarece datele pot fi afectate.

### Alte funcții

#### Conectarea la computer (Fig. 10)

Pe lângă utilizarea sa ca reportofon, acest aparat poate fi utilizat ca dispozitiv extern de stocare pentru computer.

- Fișierele audio înregistrate cu acest reportofon pot fi redare pe computer utilizând programul Windows Media Player. De asemenea, puteți transfera pe reportofon fișiere WMA descărcate cu Windows Media Player pentru a le asculta (cu excepția fișierelor protejate de drepturi de autor).

1 **Conectați cablul de la mufa USB a reportofonului la un port USB al calculatorului sau la un hub USB.**

- În momentul în care apare [Remote] pe ecran, puteți salva sau citi date.

2 **Transferarea fișierelor audio pe computer.**

- Conectați reportofonul la computer și lansați aplicația Explorer.
- Reportofonul va fi identificat ca Removable Disk (disc amovibil).
- Cele cinci directoare sunt numite DSS\_FLDA, B, C, D și E. Fișierele audio sunt stocate în aceste directoare.
- Toate fișierele audio înregistrate cu acest reportofon vor fi în formatul WMA.

de ex.:

VN-6500PC: VN\_650001.WMA

VN-5500PC: VN\_550001.WMA

VN-3500PC: VN\_350001.WMA

- Dacă utilizați Windows 2000, Windows Media Player trebuie să fie instalat pe computer.

### 3 Faceți clic pe din bara de activități aflată în colțul din dreapta, jos, al ecranului. Faceți clic pe [Eliminare în siguranță dispozitiv hardware].

- 1 Mufa USB
- 2 Trimitere date
- 3 Recepționare date

Utilizarea reportofonului cu computerul	
<b>Windows</b>	<b>Sistem de operare:</b> Microsoft Windows 2000 / XP / Vista (instalare standard) <b>Sisteme PC compatibile:</b> Sisteme PC Windows ce dispun de mai mult de un port USB liber
<b>Macintosh</b>	<b>Sistem de operare:</b> Mac OS X 10.2.8 ~ 10.5 (instalare standard) <b>Sisteme PC compatibile:</b> Apple Macintosh ce dispune de mai mult de un port USB liber

Serviciul de asistență nu acoperă sistemele PC cu actualizare de la Windows 95 sau 98 la Windows 2000/XP/Vista. Garanția în vigoare nu va acoperi defecțiunile datorate sistemelor PC modificate de utilizator.

#### Observații:

- NICIODATĂ nu deconectați cablul USB atâta timp cât indicatorul luminos înregistrare/redare se aprinde intermitent în roșu. În caz contrar, datele pot fi distruse.
- Pentru detalii despre mufa USB a computerului sau despre hub-ul USB, consultați manualul de utilizare al acestora.
- Deoarece zgomotul poate avea efecte nedorite asupra echipamentelor electronice din apropierea reportofonului, deconectați căștile în timpul conectării la un computer.

### Măsurile generale de precauție

Citiți cu atenție acest manual pentru a vă asigura că știți cum să utilizați aparatul corect și în siguranță. Păstrați manualul într-un loc ușor accesibil pentru consultări ulterioare.

- Simbolurile de avertizare indică

informații importante privind siguranța. Pentru a evita rănirea personală sau eventuale daune asupra bunurilor dumneavoastră sau ale altor persoane, este esențial să citiți mesajele de avertizare și informațiile furnizate.

#### Avertisment privind pierderea datelor:

- Datele înregistrate în memorie pot fi distruse sau șterse datorită utilizării incorecte, defecțiunilor sau în timpul lucrărilor de reparație.
- Dacă aveți înregistrate materiale importante, vă recomandăm să transcrieți conținutul acestora sau să faceți o copie de siguranță descărcând datele pe computer.
- Olympus nu își asumă nici o responsabilitate în privința daunelor pasive sau a daunelor de orice fel provocate de un eventual defect al aparatului, reparații executate de terțe părți altele decât Olympus sau un centru de service autorizat de Olympus sau din orice alt motiv.

### Utilizarea corespunzătoare și în siguranță

- Utilizați căștile numai după ce ați redus suficient volumul. În caz contrar, auzul poate fi afectat și/sau pot apărea tulburări de auz.
- Nu utilizați căștile la volum ridicat pentru o perioadă îndelungată de timp. Acest lucru poate afecta auzul și/sau pot apărea tulburări de auz.
- Înainte de înlocuirea bateriilor, asigurați-vă că ați oprit reportofonul. Scoaterea bateriilor în timpul funcționării poate duce la distrugerea fișierelor.
- Nu lăsați reportofonul în locuri cu temperaturi sau umiditate ridicate precum în interiorul unui autovehicul expus la soare sau pe plajă în timpul verii.
- Nu păstrați reportofonul în locuri expuse la umezeală sau praf excesiv.
- Nu utilizați solvenți organici, precum spirit sau diluant, pentru a curăța reportofonul.
- Nu așezați reportofonul pe aparate electrocasnice precum televizorul sau frigiderul.
- Evitați înregistrarea în preajma telefoanelor celulare sau a altor echipamente de comunicare fără fir întrucât acestea pot provoca interferențe și zgomote. Dacă apar zgomote la înregistrare, îndepărtați-vă

deacele locuri sau îndepărtați reportofonul de astfel de echipamente.

- Evitați contactul cu nisipul și impuritățile. Acestea pot provoca pagube iremediabile.
- Evitați supunerea la șocuri sau vibrații puternice.
- Nu încercați să dezasamblați, să reparați sau să modificați singur aparatul.
- Nu utilizați aparatul în timp ce conduceți vehicule (inclusiv biciclete, motociclete, carturi).
- Nu lăsați aparatul la îndemâna copiilor.

#### Bateriile

##### ⚠ Avertisment:

- În niciun caz nu introduceți alte obiecte în compartimentul bateriilor în afară de baterie. Acest lucru poate cauza curgerea bateriilor, aprindere sau explozie.
- Nu expuneți niciodată bateriile la flacăra deschisă, nu le încălziți, nu le scurtcircuitați sau dezasamblați.
- Nu încercați să reîncărcați bateriile alcaline, cu litiu sau alte baterii de unică folosință.
- Nu utilizați niciodată o baterie care are învelișul protector deteriorat.
- Nu lăsați bateriile la îndemâna copiilor.
- Dacă observați ceva neobișnuit în timpul utilizării acestui produs precum zgomote anormale, încălzire, fum sau miros de ars:
  - 1 scoateți imediat bateriile având grijă să nu vă provocați arsuri, după care
  - 2 sunați la magazinul de achiziție sau reprezentanța locală Olympus pentru service.

### Specificații

#### Suport înregistrare:

Memorie internă flash

#### Frecvență totală:

**VN-6500PC, VN-5500PC:**

Mod HQ: 200 – 13.000 Hz

Mod SQ: 200 – 7.000 Hz

Mod LP: 200 – 3.000 Hz

**VN-3500PC:**

Mod HQ: 200 – 13.000 Hz

Mod SQ: 200 – 7.000 Hz

Mod LP: 200 – 3.000 Hz

## Timp înregistrare:

**VN-6500PC, VN-5500PC: 512 MB**

Mod HQ: aprox. 35 ore 20 minute

Mod SP: aprox. 69 ore 35 minute

Mod LP: aprox. 221 ore 30 minute

**VN-3500PC: 128 MB**

Mod HQ: aprox. 8 ore 40 minute

Mod SP: aprox. 17 ore 10 minute

Mod LP: aprox. 54 ore 40 minute

- Timpul de înregistrare de mai sus indică timpul disponibil după ștergerea manualului stocat în reportofon.
- Manualul poate fi șters conectând reportofonul la un calculator și efectuând ștergerea sau formatând reportofonul. Pentru detalii, vă rugăm să consultați secțiunea „Formatarea memoriei reportofonului [Format]”.
- Înainte de ștergerea datelor, vă rugăm să efectuați o copie de siguranță a fișierului manual în format PDF.

## Microfon:

Microfon cu condensator electret (mono)

## Difuzor:

Difuzor dinamic rotund încorporat cu diametrul de  $\varnothing$  23 mm

## Putere maximă:

250 mW

## Putere maximă câști:

≤ 150 mW

(conform EN 50332-2)

## Mufă câști (mono):

Diametru  $\varnothing$  3,5 mm, impedanță 8  $\Omega$

## Mufă microfon (mono):

Diametru  $\varnothing$  3,5 mm, impedanță 2 k $\Omega$

## Alimentare:

Două baterii AAA (LR03) sau doi acumulatori Ni-MH

## Durată de funcționare cu un set de baterii:

Baterii alcaline:

aprox. 37 ore

Acumulatori Ni-MH:

aprox. 25 ore

## Dimensiuni:

102 (L) mm x 37 (l) mm x 18,8 (l) mm (fără proeminențe)

## Greutate: 64,8 g (cu baterii)

- Aceste valori ale duratei bateriilor sunt măsurate de Olympus. Acestea pot varia semnificativ în funcție de tipul de baterii utilizate și condițiile de utilizare.

- Materialele înregistrate sunt destinate exclusiv utilizării în scopuri personale sau de divertisment. Este interzisă înregistrarea materialelor protejate de drepturi de autor fără permisiunea deținătorilor drepturilor de autor conform legii.
- Specificațiile și designul pot fi modificate pentru îmbunătățirea performanțelor fără notificare prealabilă.

## Accesorii (opționale)

### Încărcător acumulatori Ni-MH:

BU-400 (numai pentru Europa)

### Acumulator Ni-MH:

BR401

### Cablu de conectare (mufă câști ↔

mufă microfon): KA333

### Microfon cu reducere zgomotului:

ME52

### Microfon cu condensator electret:

ME15

### Câști mono: E20

### Microfon pentru telefon: TP7

### Curelușă colier: ST26



Simbolul „CE” indică faptul că acest produs respectă cerințele europene pentru siguranță, sănătate, protecția mediului și a consumatorului.



Acest simbol [coș de gunoi tăiat WEEE Anexa IV] indică faptul că reziduurile echipamentelor electrice și electronice sunt colectate separat în țările UE.

Vă rugăm să nu aruncați acest echipament

împreună cu reziduurile menajere. Pentru trecerea la deșeurii a acestui produs, vă rugăm să folosiți serviciul special de colectare disponibil în țara dvs.

Se aplică produsului: VN-6500PC, VN-5500PC, VN-3500PC



Acest simbol [pubele cu două linii întretăiate indicat în Directiva 2006/66/EC Anexa II] indică faptul că bateriile epuizate sunt colectate separat în țările UE.

Vă rugăm să nu aruncați bateriile împreună cu reziduurile menajere. Pentru trecerea la deșeurii a bateriilor, vă rugăm să folosiți serviciul special de colectare disponibil în țara dvs.

- Ovo je osnovna verzija uputstva. Pogledajte kompletno napredno uputstvo u sačuvanim podacima u fascikli **[OL, MANUAL]** snimača ili preuzmite podatke sa Web lokacije kompanije OLYMPUS.
- Sadržaj ovog dokumenta u budućnosti može da se menja bez prethodnog obaveštenja. Obratite se našem centru za podršku korisnicima za najnovije informacije vezane za nazive proizvoda i brojeve modela.
- Uloženi su maksimalni mogući naponi da se obezbedi integritet sadržaja ovog dokumenta. U slučaju da pronađete neku spornu stavku, grešku ili omašku, što je malo verovatno, obratite se našem centru za podršku klijentima.
- Isključuje se svaka odgovornost za pasivne štete i štete bilo kakve vrste do kojih je došlo usled gubitka podataka prouzrokovanih kvarom proizvoda, popravkom koju je izvršila treća strana, a ne Olympus ili ovlašćeni servis kompanije Olympus, kao i iz bilo kog drugog razloga.

#### Robne marke i registrovani zaštićeni znaci:

- Microsoft, Windows i Windows Media su zaštićeni znaci korporacije Microsoft.
- Macintosh je robna marka kompanije Apple Inc.



#### Bezbedno i pravilno korišćenje

Pre nego što počnete da koristite svoj novi diktafon, pažljivo pročitajte ovo uputstvo kako biste bili sigurni da znate kako da bezbedno i pravilno rukujete njime. Čuvajte ovo uputstvo na lako dostupnom mestu radi buduće reference.

- Simboli upozorenja označavaju važne informacije vezane za bezbednost. Da biste sebi i druge zaštitili od povrede ili štete, neophodno je da uvek pročitate upozorenja i informacije.

## Prvi koraci

### Pregled delova

- Ugrađeni mikrofon
- MIC (Mikrofon) priključak
- Prekiđač **HOLD**
- USB terminal
- Dugme **STOP** (■)
- Dugme **PLAY/OK** (▶)
- Dugme **◀◀** (Premotavanje unazad)
- Poklopac baterije
- Dugme **FOLDER/INDEX**
- EAR** (Slušalice) priključak
- Ekran (LCD)
- Lampica indikatora snimanja/reprodukcije
- Dugme **REC** (●)
- Dugme **+**
- Dugme **▶▶** (Premotavanje unapred)
- Dugme **-**
- Dugme **DISP/MENU**
- Dugme **ERASE** (●)
- Rupica za kaiš

- Kaiš se ne isporučuje. Upotrebite opcionalnu dodatnu opremu.

#### Ekran (LCD panel):

- Indikator foldera
- Indikator osetljivosti mikrofona
- Indikator LowCut filtera\*
- Indikator aktivacije glasom Variable Control Voice Actuator
- Indikator režima snimanja
- Indikator ubryane reprodukcije
- Indikator usporene reprodukcije
- Indikator ponovljene reprodukcije segmenta\*
- Indikator vodiča
- Prikaz slovnih informacija Merač nivoa snimanja
- Indikator baterije
- Indikator zaključavanja brisanja
- Broj trenutne datoteke

\* Samo za VN-6500PC.

### Stavljanje baterija (Slika 1)

- Lagano pritisnite strelicu nadole i povucite poklopac za baterije kako biste ga otvorili.
- Ubacite 2 alkalne baterije veličine AAA, vodeći računa o polaritetu.
- Zatvorite poklopac baterija u potpunosti.
  - Kada je prekiđač **HOLD** postavljen u smeru strelice, ekran će se isključiti nakon što se pojavi: **[HOLD]**. Pratite sledeći korak bez obzira na to.

Za diktafon se može koristiti opcionalna punjiva baterija Ni-MH (BR401) kompanije Olympus.

#### Zamena baterija:

Kada se na ekranu prikaže znak zamenite baterije što pre. Preporučuju se alkalne baterije veličine AAA. Kada se baterije potroše, na ekranu se prikazuje znak , a diktafon se isključuje.

- Da biste zamenili bateriju, uverite se da ste podesili prekiđač **HOLD** u suprotnom smeru od pravca strelice pre zamene.

### Napajanje (Slika 2)

#### Uključeno:

Pomerite prekiđač **HOLD** u smeru suprotnom od onog koji pokazuje strelica.

#### Isključeno:

Pomerite prekiđač **HOLD** u smeru označenom strelicom dok je diktafon isključen.

#### Pasivni režim i isključivanje ekrana:

Ako je tokom snimanja ili reprodukcije zaustavljen na 5 minuta ili duže, diktafon prelazi u pasivni režim (ušteđena energije) a ekran se isključuje. Pritisnite bilo koje dugme da biste izašli iz pasivnog režima i uključili ekran.

#### Podešavanje vremena i datuma

##### [Time & Date] (Slika 3)

Kada prvi put stavite baterije i svaki put kada ih zamenite, prikazuje se indikator „Mesec“. U tom slučaju, uverite se da ste podesili vreme i datum prateći korake od 4 do 6.

- Pritisnite i zadržite dugme **DISP/MENU** jedan sekund ili duže da biste aktivirali glavni meni.
- Pritisnite dugme **▶▶** ili **◀◀** da biste izabrali stavku **[Sub Menu]**.

### 3 Pritisnite dugme **PLAY/OK** (▶).

- Na ekranu se prikazuje oznaka [Time & Date] i svetli indikator [▶◀⏪⏩].

### 4 Pritisnite dugme ▶▶ ili ◀◀ da biste izabrali stavku koju želite da posedite.

- Uz pomoć trepćuće oznake, izaberite stavku koju želite da posedite: „Mesec“, „Dan“, „Godina“, „Sat“ i „Minut“.

### 5 Pritisnite dugme + ili – da biste obavili podešavanje.

- Sledite ise korak tako što ćete pritisnuti dugme ▶▶ ili ◀◀ da biste izabrali sledeću stavku, a zatim pritisnite dugme + ili – da biste obavili podešavanje.

### 6 Pritisnite dugme **PLAY/OK** (▶) da biste dovršili ekran za konfigurisanje.

- Sat će početi da radi od postavljenog datuma i vremena.
- Pritisnite dugme **PLAY/OK** (▶) na osnovu signala za vreme.

### 7 Pritisnite dugme **STOP** (■) da biste zatvorili meni.

#### Napomene o folderima (Slika 4)

Diktafon poseduje pet foldera, [A], [B], [C], [D] i [E]. Da biste promenili izbor foldera, pritisnite dugme **FOLDER/INDEX** dok je diktafon zaustavljen. Svaki folder može da primi do 200 datoteka.

- ① Trenutni folder

## Snimanje (Slika 5)

### 1 Pritisnite dugme **FOLDER/INDEX** da biste izabrali željeni folder.

### 2 Pritisnite dugme **REC** (●) da biste započeli snimanje.

- Indikator snimanja/reprodukcije zasvetlet će crvenom bojom i snimanje će početi.

### 3 Pritisnite dugme **STOP** (■) da biste prekinuli snimanje.

- Novi snimak će biti sačuvan kao poslednja datoteka u folderu.

- ① Trenutni folder
- ② Trenutni režim snimanja
- ③ Broj trenutne datoteke
- ④ Vreme snimanja
- ⑤ Preostalo vreme snimanja
- ⑥ Merač nivoa snimanja

## Reprodukcija (Slika 6)

### 1 Pritisnite dugme **FOLDER/INDEX** da biste izabrali željeni folder.

### 2 Pritisnite dugme ▶▶ ili ◀◀ da biste izabrali datoteku koju želite da reprodukujete.

### 3 Pritisnite dugme **PLAY/OK** (▶) da biste započeli reprodukciju.

- Indikator snimanja/reprodukcije će zasvetleti zelenom bojom i proteklo vreme reprodukcije će biti prikazano na ekranu.

### 4 Pritisnite dugme + ili – da biste izabrali odgovarajuću jačinu zvuka.

- Ekran prikazuje nivo jačine. Možete odabrati vrednost između [00] i [30].

- ① Broj trenutne datoteke
- ② Vreme reprodukcije

#### Zaustavljanje: (Slika 7)

### Pritisnite dugme **STOP** (■).

- Diktafon se zaustavlja u sredini datoteke koja se reprodukuje.

## Brisanje

#### Brisanje pojedinačnih datoteka (Slika 8)

### 1 Pritisnite dugme **FOLDER/INDEX** da biste izabrali folder.

### 2 Pritisnite dugme ▶▶ ili ◀◀ da biste izabrali datoteku koju želite da izbrišete.

- ① Datoteka koju želite da izbrišete

### 3 Pritisnite dugme **ERASE** (●).

### 4 Pritisnite dugme ▶▶ da biste izabrali stavku [Start].

### 5 Pritisnite dugme **PLAY/OK** (▶).

#### Brisanje svih datoteka iz foldera (Slika 9)

### 1 Pritisnite dugme **FOLDER/INDEX** da biste izabrali folder koju želite da izbrišete.

- ① Folder koji želite da izbrišete

### 2 Folder koji želite da izbrišete **ERASE** (●).

### 3 Pritisnite dugme ▶▶ da biste izabrali stavku [Start].

### 4 Pritisnite dugme **PLAY/OK** (▶).

#### Napomene:

- Izbrisana datoteka ne može da se vrati.
- Datoteka koja je zaštićena od brisanja neće biti obrisana.

- Brisanje može da potraje nekoliko sekundi. Tokom tog vremena nemojte da uklanjate bateriju niti da obavljate bilo kakve druge funkcije na diktafonu. Može da dođe do oštećenja podataka.

## Ostale funkcije

#### Povezivanje sa računarem (Slika 10)

Pored upotrebe ovog uređaja kao diktafona, možete da ga koristite i kao spoljni memoriju za računar, tj. kao uređaj za skladištenje.

- Zvučne datoteke koje su snimljene pomoću ovog diktafona moguće je reprodukovati na računaru pomoću programa Windows Media Player. Možete i da prebacujete WMA datoteke koje ste preuzeli pomoću programa Windows Media Player na diktafon (osim datoteka koje imaju zaštitu autorskih prava).

### 1 Povežite USB priključak na diktafonu sa USB priključkom na računaru ili sa USB razdelnikom.

- Nakon što se na ekranu prikaže poruka [Remote] možete da prebacujete podatke.

### 2 Prebacite zvučne datoteke na računar.

- Povežite diktafon sa računarem i pokrenite program Explorer.

• Diktafon će biti prepoznat kao prenosivi disk.

- Svaki folder ima naziv formata DSS\_FLD, A, B, C, D i E. U ove foldere se smeštaju zvučne datoteke.

- Sve zvučne datoteke koje su snimljene pomoću diktafona biće u WMA formatu.

tj.:  
VN-6500PC: VN\_650001.WMA  
VN-5500PC: VN\_550001.WMA  
VN-3500PC: VN\_350001.WMA

- Ako koristite Windows 2000, morate da instalirate Windows Media Player.

### 3 Kliknite na [ ] na traci sa zadacima koja se nalazi u donjem desnom uglu ekrana. Kliknite na [Bezbedno ukloni hardver].

- ① USB terminal
- ② Slanje podataka
- ③ Prijem podataka

## Upotreba diktafona sa računarom

<b>Windows</b>	<b>Operativni sistem:</b> Microsoft Windows 2000/XP/Vista (Standardna instalacija) <b>Kompatibilni računari:</b> Windows računari koji imaju najmanje dva slobodna USB priključka
<b>Macintosh</b>	<b>Operativni sistem:</b> Mac OS X 10.2.8 ~ 10.5 (standardna instalacija) <b>Kompatibilni računari:</b> Apple Macintosh serije računara koji imaju najmanje dva slobodna USB priključka

Služba za podršku ne pruža pomoć ukoliko je operativni sistem na vašem računaru nadograđen sa Windows 95 ili 98 na Windows 2000/XP/Vista. Otkazivanje računara čiju ste konfiguraciju samostalno izmenili nije pokriveno radnom garancijom.

### Napomene:

- NIKADA nemojte da isključujete USB dok indikator snimanja/reprodukcije trepće crveno. Ovakav postupak može da dovede do gubitka podataka.
- Informacije o USB priključku i USB razdelniku potražite u korisničkom priručniku koji ste dobili uz račun.
- Pošto šum može da izazove štetne efekte na elektronskim uređajima u blizini diktafona, isključite slušalice kada je diktafon povezan sa računarom.

## Opšte mere predostrožnosti

Pažljivo pročitajte ovaj priručnik da biste znali kako da bezbedno i ispravno upravljate diktafonom. Neka vam ovo uputstvo bude pri ruci radi buduće reference.

- Simboli upozorenja označavaju važne informacije vezane za bezbednost. Da biste sebe i druge zaštitili od povrede ili štete, neophodno je da uvek pročitate upozorenja i informacije.

## Upozorenje vezano za gubitak podataka:

- Snimljeni sadržaj u memoriji može da bude uništen ili obrisao usled greške u rukovanju, kvara uređaja ili tokom popravke.
- Zavažan snimljeni sadržaj preporučuje se da napravite pisanu kopiju ili rezervnu kopiju na računaru.
- Isključuje se svaka odgovornost za pasivne štete i štete bilo kakve vrste do kojih je došlo usled gubitka podataka prouzrokovanih kvarom proizvoda, popravkom koju je izvršila treća strana, a ne Olympus ili ovlašćeni servis kompanije Olympus, kao i bilo kojim drugim razlogom.

## Za bezbedno i pravilno korišćenje

- Koristite svoje slušalice samo kada dovoljno smanjite jačinu zvuka u slušalicama, u suprotnom može doći do oštećenja sluha i/ili poremećaja sluha.
- Nemojte dugo koristiti slušalicu pri velikoj jačini zvuka jer može doći do oštećenja i/ili poremećaja sluha.
- Obavezno zaustavite diktafon pre zamene baterija. Vađenje baterija dok je diktafon u upotrebi može da dovede do oštećenja datoteke.
- Nemojte da ostavljate diktafon na toplim i vlažnim mestima, recimo u zatvorenom automobilu pod direktnom sunčevom svetlošću ili na plaži tokom leta.
- Nemojte da ostavljate diktafon na vlažnim ili prašnjavim mestima.
- Za čišćenje uređaja nemojte da koristite organske rastvarače kao što su alkohol ili sredstva za poliranje.
- Nemojte da držite diktafon na električnim aparatima kao što su televizor ili frižider, niti blizu njih.
- Izbegavajte snimanje i reprodukciju u blizini mobilnih telefona ili druge bežične opreme, pošto to može prouzrokovati smetnje i šumove. Ako dođe do šuma, preместite se na drugo mesto ili udaljite diktafon od takve opreme.
- Izbegavajte mesta na kojima ima peska ili prljavštine. Može da dođe do nepopravljivih oštećenja.
- Izbegavajte jake vibracije ili udare.
- Nemojte da rastavljate, popravljate niti da prepravljate uređaj.

- Nemojte da rukujete uređajem dok vozite bicikl, motocikl ili karting.
- Držite uređaj van domašaja dece.

## Baterija

### ⚠ Upozorenje:

- Ni pod kojim uslovima nemojte da stavljate druge delove osim glavne jedinice u ležište za bateriju. Ovakav postupak može da izazove curenje baterije, pregrevanje, požar ili eksploziju.
- Bateriju ne bi trebalo izlagati vatri, grejati, premošćivati niti rasklapati.
- Nemojte da pokušavate da punitel alkalnu, litijumsku niti bilo koju drugu bateriju koja nije predviđena za punjenje.
- Ni u kom slučaju nemojte da koristite bateriju sa pocepanim ili napuklim spoljnim omotačem.
- Držite bateriju van domašaja dece.
- Ukoliko tokom korišćenja ovog proizvoda primetite bilo šta neobično, kao što su nenormalni šumovi, toplota, dim ili miris paljvine:
  - ① odmah izvadite bateriju pazeći da se ne opečete, i;
  - ② pozovite svog prodavca ili lokalnog predstavnika kompanije Olympus.

## Specifikacije

### Medij za snimanje:

Ugrađena fleš memorija

### Frekventni opseg:

**VN-6500PC, VN-5500PC:**

HQ režim: 200 do 13.000 Hz

SP režim: 200 do 7.000 Hz

LP režim: 200 do 3.000 Hz

**VN-3500PC:**

HQ režim: 200 do 13.000 Hz

SP režim: 200 do 7.000 Hz

LP režim: 200 do 3.000 Hz

### Vreme snimanja:

**VN-6500PC, VN-5500PC: 512 MB**

HQ režim: približno 35 časova i 20 minuta

SP režim: približno 69 časova i 35 minuta

LP režim: približno 221 časova i 30 minuta

**VN-3500PC: 128 MB**

HQ režim: približno 8 časova i 40 minuta

SP režim: približno 17 časova i 10 minuta



LP režim: približno 54 časova i 40 minuta

- Gore navedena vremena snimanja podrazumevaju brisanje priručnika koji su uskladišteni na diktafonu.
- Priručnike je moguće izbrisati tako što ćete diktafon povezati sa računarnom i izbrisati datoteke ili tako što ćete formatirati memoriju. Detaljne informacije potražite u odeljku „Formatiranje memorije diktafona [Format]“.
- Pre nego što izbrisate priručnike napravite rezervnu kopiju PDF datoteke.

#### Mikrofon:

Electret Condenser Microphone (ECM) mikrofon (monoauralni)

#### Zvučnik:

Ugrađeni okrugli dinamički zvučnik prečnika 23 mm

#### Maksimalna snaga:

250 mW

#### Maksimalni jačina izlaza za slušalice:

≤ 150 mV

(na osnovu EN 50332-2)

#### Priključak za slušalice (monoauralni):

prečnik 3,5 mm, impedansa 8 Ω

#### Priključak za mikrofon (monoauralni):

prečnik 3,5 mm, impedansa 2 kΩ

#### Napajanje:

Dve AAA (LR03) baterije ili dve Ni-MH punjive baterije

#### Dužina rada pomoću baterija:

Alkalne baterije:

približno 37 časova

Ni-MH punjive baterije:

približno 25 časova

#### Dimenzije:

102 (D) mm x 37 (Š) mm x 18,8 (D) mm

(bez izbočina)

#### Težina: 64,8 g (sa baterijom)

- Trajanje baterije meri Olympus. Ono u mnogome varira u odnosu na tip baterije i način korišćenja.
- Sadržaj koji se nalazi na diktafonu služi za ličnu upotrebu. Zabranjeno je snimanje materijala zaštićenog autorskim pravom u skladu sa zakonom o zaštiti autorskih prava.
- Specifikacije i dizajn podložni su promenama bez obaveštenja, a u svrhu poboljšanja performansi.

## Dodatna oprema (opcionalo)

#### Punjač za Ni-MH punjive baterije:

BU-400 (samo za Evropu)

#### Ni-MH punjiva baterija:

BR401

#### Kabl za povezivanje (priključak

za slušalice ↔ priključak za

mikrofon): KA333

#### Mikrofon za umanjenje šuma:

ME52

#### Elektret kondenzatorski mikrofon

(ECM): ME15

#### Dvostruke monoauralne slušalice:

E20

#### Dodatak za telefon: TP7

#### Traka za nošenje oko vrata: ST26



Oznaka „CE“ precizira da ovaj proizvod ispunjava evropske zahteve za bezbednost, zdravlje, okolinu i zaštitu potrošača.



Ovaj simbol [precrta kanta za smeće, WEEE aneks IV] označava zasebno prikupljanje odložene električne i elektronske opreme u zemljama Evropske unije. Nemojte da bacate ovu opremu u kućno smeće.

Da biste odložili ovaj proizvod, koristite sisteme za vraćanje i prikupljanje koji su dostupni u vašoj zemlji.

Proizvod na koji se ovo primenjuje: VN-6500PC, VN-5500PC, VN-3500PC



Ovaj simbol [precrta kanta za smeće, direktiva 2006/66/EC aneks II] označava zasebno prikupljanje odloženih baterija u zemljama

Evropske unije. Nemojte bacati baterije u kućno smeće. Da biste odložili baterije, koristite sisteme za vraćanje i prikupljanje koji su dostupni u vašoj zemlji.

- Эта версия пособия является базовой. См. полное расширенное пособие в сохраненных данных в папке [OL\_MANUAL] записывающего устройства или загрузите данное с веб-сайта компании OLYMPUS.
- Содержание данного может быть изменено в будущем без предварительного уведомления. Обратитесь в наш сервисный центр для получения новейшей информации касательно названий изделий и номеров моделей.
- Для обеспечения целостности содержания данного документа было приложено максимум усилий. При обнаружении спорного пункта, ошибки или улучшения, что является маловероятным, обратитесь в наш сервисный центр.
- Исключается любая ответственность за пассивные убытки или ущерб любого рода, понесенный вследствие потери данных из-за неисправности изделия, в результате ремонта, выполненного третьим лицом, отличным от компании Olympus или авторизованного сервисного центра компании Olympus, либо любой другой причины.

**Торговые марки и зарегистрированные торговые марки:**

- Microsoft, Windows и Windows Media являются зарегистрированными торговыми марками компании Microsoft Corporation.
- Macintosh является торговой маркой компании Apple Inc.

**Безопасная и правильная эксплуатация**

- Перед эксплуатацией нового диктофона внимательно прочитайте данное руководство, чтобы удостовериться, что вы умеете безопасно и правильно пользоваться им. Храните это руководство в легкодоступном месте для будущих обращений.**
- Предостерегающие символы указывают на важную информацию, связанную с безопасностью. Для самозащиты и защиты других лиц от травм или повреждения имущества чрезвычайно важно непременно ознакомиться с предоставленными предостережениями и информацией.

**Начало работы****Определение деталей**

- 1 Встроенный микрофон
  - 2 Разъем MIC (микрофон)
  - 3 Переключатель HOLD
  - 4 USB-разъем
  - 5 Кнопка STOP (■)
  - 6 Кнопка PLAY/OK (▶)
  - 7 Кнопка I◀◀ (прокрутка назад)
  - 8 Крышка элементов питания
  - 9 Кнопка FOLDER/INDEX
  - 10 Разъем EAR (наушники)
  - 11 Дисплей (ЖК-панель)
  - 12 Индикатор записи/воспроизведения
  - 13 Кнопка REC (●)
  - 14 Кнопка +
  - 15 Кнопка ▶▶I (ускоренная прокрутка вперед)
  - 16 Кнопка -
  - 17 Кнопка DISP/MENU
  - 18 Кнопка ERASE (●)
  - 19 Отверстие для ремешка
- Ремешок не входит в комплект поставки. Используйте дополнительный аксессуар.

**Дисплей (ЖК-панель):**

- 1 Индикатор папки
- 2 Индикатор чувствительности микрофона
- Индикатор фильтра верхних частот\*
- Индикатор системы автоматического голосового управления диктофоном
- [HQ SP LP] Индикатор режима записи
- [■] Индикатор ускоренного воспроизведения
- [■] Индикатор замедленного воспроизведения
- [C] Индикация повторяемого воспроизведения фрагмента записи\*
- 3 Индикатор пояснений
- 4 Отображение данных о символах Показатель уровня записи

- 5 Индикатор заряда
- 6 Индикатор блокировки удаления
- 7 Текущий номер файла

\* Только для модели VN-6500PC.

**Установка элементов питания (фиг. 1)**

- 1 Слегка нажмите на стрелку и сдвиньте крышку элементов питания до открытия.
- 2 Вставьте два щелочных элемента питания типа AAA, соблюдая правильную полярность.
- 3 Полностью закройте крышку элементов питания.
  - Когда переключатель HOLD установлен в направлении, показанном стрелкой, дисплей выключится после отображения надписи [HOLD]. Выполните следующий шаг, не обращая на нее внимания.

**В диктофоне можно использовать перезаряжаемые элементы питания Ni-MH (BR401) производства компании Olympus.**

**Замена элементов питания:**

- После отображения символа на дисплее как можно быстрее замените элементы питания. Рекомендуется использовать щелочные элементы питания типа AAA. После исчерпания заряда элементов питания на дисплее отобразится символ , после чего диктофон выключится.
- Перед заменой элемента питания убедитесь, что переключатель HOLD сдвинут в сторону, противоположную направлению стрелки.

**Источник питания (фиг. 2)****Включение питания:**

сдвиньте переключатель HOLD в направлении, противоположном указанному стрелкой.

**Выключение питания:**

сдвиньте переключатель HOLD в направлении, указанном стрелкой, когда работа диктофона прекращена.

**Режим ожидания и выключение дисплея:**

Если прекратить работу диктофона в течение 5 минут и более во время записи или воспроизведения, он переходит в режим ожидания (экономии энергии),

а дисплей выключается. Чтобы выйти с режима ожидания и включить дисплей, нажмите любую кнопку.

#### Установка времени и даты

##### [Time & Date] (фиг. 3)

Индикатор «Месяц» мигает при установке элементов питания в первый раз или при каждой замене элементов питания. В таком случае обязательно установите время и дату, выполнив описанные ниже шаги 4–6.

1 Нажмите и удерживайте нажатой кнопку **DISP/MENU 1** секунду после для перехода в главное меню.

2 Нажмите кнопку **▶▶▶** или **◀◀◀** для выбора пункта **[Sub Menu]**.

3 Нажмите кнопку **PLAY/OK (▶)**.  
• [Time & Date] отобразится на дисплее, а символ **[⌚]** начнет мигать.

4 Нажмите кнопку **▶▶▶** или **◀◀◀** для выбора устанавливаемого пункта.

• Установите значение параметров «Месяц», «День», «Год», «Час» и «Минута», выбрав мигающий элемент.

5 Для установки нажимайте кнопки **+ или -**.

• Выполните такие же действия, нажимая кнопку **▶▶▶** или **◀◀◀** для выбора следующего пункта, а затем для установки нажимайте кнопки **+ или -**.

6 Нажмите кнопку **PLAY/OK (▶)** для завершения всех действий в окне установки.

• Часы начнут отображать установленные дату и время.  
• Нажмите кнопку **PLAY/OK (▶)** в соответствии с сигналом времени.

7 Нажмите кнопку **STOP (■)**, чтобы выйти с режима меню.

#### Примечания касательно папок (фиг. 4)

Диктофон содержит пять папок: **[A]**, **[B]**, **[C]**, **[D]** и **[E]**. Чтобы выбрать другую папку, нажмите кнопку **FOLDER/INDEX**, когда работа диктофона прекращена. В каждую папку можно записать до 200 файлов.

① Текущая папка

## Запись (фиг. 5)

1 Нажмите кнопку **FOLDER/INDEX** для выбора нужной папки.

2 Нажмите кнопку **REC (●)** для начала записи.  
• Индикатор записи/воспроизведения становится красным, после чего начинается запись.

3 Нажмите кнопку **STOP (■)** для прекращения записи.

• Новые записи сохраняются в качестве последнего файла в папке.

- ① Текущая папка
- ② Текущий режим записи
- ③ Текущий номер файла
- ④ Длительность записи
- ⑤ Оставшееся время записи
- ⑥ Показатель уровня записи

## Воспроизведение (фиг. 6)

1 Нажмите кнопку **FOLDER/INDEX** для выбора нужной папки.

2 Нажмите кнопку **▶▶▶** или **◀◀◀** для выбора файла, который требуется воспроизвести.

3 Нажмите кнопку **PLAY/OK (▶)** для начала воспроизведения.

• Индикатор записи/воспроизведения изменится на зеленый, а на дисплее отобразится истекшее время воспроизведения.

4 Нажмите кнопку **+ или -** для выбора необходимой громкости звука.

• На дисплее отобразится уровень громкости. Можно выбрать значение от **[00]** до **[30]**.

- ① Текущий номер файла
- ② Длительность воспроизведения

#### Прекращение воспроизведения: (фиг. 7)

Нажмите кнопку **STOP (■)**.

• Диктофон прекратит работу посреди воспроизводимого файла.

## Удаление

#### Удаление файлов по одному (фиг. 8)

1 Нажмите кнопку **FOLDER/INDEX** для выбора папки.

2 Нажмите кнопку **▶▶▶** или **◀◀◀** для выбора файла, который требуется удалить.

① Файл, который требуется удалить

3 Нажмите кнопку **ERASE (●)**.

4 Нажмите кнопку **▶▶▶**, чтобы выбрать пункт **[Start]**.

5 Нажмите кнопку **PLAY/OK (▶)**.

#### Удаление всех файлов с папки (фиг. 9)

1 Нажмите кнопку **FOLDER/INDEX** для выбора папки, которую требуется удалить.

① Папка, которую требуется удалить

2 Дважды нажмите кнопку **ERASE (●)**.

3 Нажмите кнопку **▶▶▶**, чтобы выбрать пункт **[Start]**.

4 Нажмите кнопку **PLAY/OK (▶)**.

#### Примечания:

- Удаленный файл нельзя восстановить.
- Файл, заблокированный от удаления, не будет удален.
- Завершение удаления может занять несколько секунд. Не пытайтесь вынуть или заменить элемент питания либо выполнить любые другие функции на диктофоне в течение данного периода, поскольку это может привести к повреждению данных.

## Другие функции

#### Подключение к компьютеру (фиг. 10)

Кроме использования данного устройства в качестве диктофона, его можно использовать в качестве внешней памяти компьютера как устройство хранения данных.

• Аудиофайлы, записанные при помощи данного диктофона, можно воспроизвести на компьютере при помощи проигрывателя Windows Media Player. На диктофон также можно перенести файлы WMA, загруженные при помощи проигрывателя Windows Media Player, для их прослушивания (кроме файлов, защищенных авторским правом).

1 Подключите USB-разъем диктофона к порту USB или концентратору USB компьютера.

• Когда отобразится надпись **[Remote]**, можно сохранять или считывать данные.

2 Перенесите аудиофайлы на компьютер.

- Подключите диктофон к компьютеру и запустите проводник.
- Диктофон будет распознан как съемный диск.
- Каждая из папок имеет название DSS\_FLDA, B, C, D и E. Аудиофайлы сохраняются в эти папки.
- Все аудиофайлы записываются диктофоном в формате WMA. например:  
VN-6500PC: VN\_650001.WMA  
VN-5500PC: VN\_550001.WMA  
VN-3500PC: VN\_350001.WMA
- При использовании ОС Windows 2000 на компьютере должен быть установлен проигрыватель Windows Media Player.

### 3 Щелкните значок на панели задач, расположенной в нижнем правом углу экрана. Щелкните **[Безопасное извлечение устройства]**.

- 1 USB-разъем
- 2 Отправка данных
- 3 Получение данных

#### Использование диктофона на компьютере

Windows	<b>Операционная система:</b> Microsoft Windows 2000/XP/Vista (стандартная установка)
	<b>Совместимые компьютеры:</b> Компьютеры с ОС Windows, оборудованные несколькими свободными портами USB
Macintosh	<b>Операционная система:</b> Mac OS X 10.2.8 ~ 10.5 (стандартная установка)
	<b>Совместимые компьютеры:</b> Компьютеры серии Apple Macintosh, оборудованные несколькими свободными портами USB

Гарантийное сервисное обслуживание не будет применяться, если ОС компьютера была изменена в Windows 95 или 98 на Windows 2000/XP/Vista. Любые ошибки, возникшие в работе самостоятельно модифицированного компьютера, не будут покрыты гарантией по эксплуатации.

#### Примечания:

- НИКОГДА не отключайте USB-устройство, пока мигает красный индикатор записи/воспроизведения. В противном случае данные могут быть повреждены.
- Обратитесь к руководству пользователя к компьютеру касательно работы порта USB или концентратора USB компьютера.
- Поскольку шум может привести к негативному воздействию на электронные устройства, расположенные вблизи диктофона, отключайте наушники при подключении диктофона к компьютеру.

### Меры предосторожности общего характера

Внимательно прочтите данное руководство, чтобы удостовериться, что вы умеете безопасно и правильно пользоваться им. Храните это руководство в легкодоступном месте для будущих обращений.

- Предостерегающие символы указывают на важную информацию, связанную с безопасностью. Для самозащиты и защиты других лиц от травм или повреждения имущества чрезвычайно важно непременно ознакомиться с предоставленными предостережениями и информацией.

#### Предостережение касательно потери данных:

- Записанное в памяти содержимое может быть повреждено или удалено вследствие ошибки при эксплуатации, неправильной работы устройства или во время ремонта.
- Рекомендуется записать важное записанное содержимое на каком-либо носителе или создать его резервную копию, загрузив данные на компьютер.
- Исключается любая ответственность компании Olympus за пассивные убытки или ущерб любого рода, понесенный вследствие потери данных из-за неисправности изделия, в результате ремонта, выполненного третьим лицом, отличным от компании Olympus или авторизованного сервисного центра компании Olympus, либо любых других причин.

### В целях безопасной и правильной эксплуатации

- Во избежание ухудшения и/или нарушения слуха обязательно

уменьшайте громкость звука наушников перед их использованием.

- Во избежание ухудшения и/или нарушения слуха не используйте наушники на высокой громкости в течение длительного времени.

- Перед заменой элементов питания обязательно останавливайте диктофон. Попытка извлечь элементы питания в момент, когда диктофон используется, может привести к повреждению файла.
- Не оставляйте диктофон в условиях сильной жары и влажности, например в закрытом автомобиле под прямыми солнечными лучами или на пляже летом.
- Не храните диктофон во влажных или пыльных местах.
- Не пользуйтесь для очистки устройства органическими растворителями, например спиртом и растворителем лака.
- Не располагайте диктофон на электрических устройствах, например телевизорах или холодильниках, или возле них.
- Старайтесь не выполнять запись или воспроизведение возле стовых телефонов или другого беспроводного оборудования, поскольку они могут вызвать возникновение помех и шума. Если слышен шум, перейдите в другое место или перенесите диктофон подальше от подобного оборудования.
- Избегайте попадания песка или грязи. Оно может привести к неисправимым повреждениям.
- Избегайте сильных вибраций или ударов.
- Не разбирайте, не ремонтируйте и не модифицируйте устройство самостоятельно.
- Не пользуйтесь устройством во время управления транспортным средством (например велосипедом, мотоциклом или ручной тележкой).
- Храните устройство в местах, недоступных для детей.

#### Элемент питания

##### Предостережение:

- Ни при каких обстоятельствах не вставляйте в отсеки элементов питания любые детали, отличные от основного устройства. Это может привести кечи, перегреву, возгоранию или взрыву элемента питания.

- Никогда не подвергайте элемент питания действию пламени, а также не нагревайте, не закорачивайте и не разбирайте его.
- Не пытайтесь перезарядить щелочный, литиевый или любой другой неперезаряжаемый элемент питания.
- Никогда не пользуйтесь элементами питания с порванным или треснувшим внешним покрытием.
- Храните элемент питания в местах, недоступных для детей.
- Если при эксплуатации данного изделия вы заметите что-либо необычное, например нехарактерный шум, нагрев, дым или едкий запах:
  - ① немедленно выньте элемент питания, следя за тем, чтобы не обжечься, и;
  - ② позвоните своему дилеру или местному представителю компании Olympus по вопросу сервисных работ.

## Спецификация

### Носители записи:

Встроенная флеш-память

### Общая частота:

**VN-6500PC, VN-5500PC:**

Режим HQ: от 200 до 13 000 Гц

Режим SQ: от 200 до 7 000 Гц

Режим LP: от 200 до 3 000 Гц

**VN-3500PC:**

Режим HQ: от 200 до 13 000 Гц

Режим SQ: от 200 до 7 000 Гц

Режим LP: от 200 до 3 000 Гц

### Длительность записи:

**VN-6500PC, VN-5500PC: 512 Мбайт**

Режим HQ: прилб. 35 часов 20 минут

Режим SP: прилб. 69 часов 35 минут

Режим LP: прилб. 221 час 30 минут

**VN-3500PC: 128 Мбайт**

Режим HQ: прилб. 8 часов 40 минут

Режим SP: прилб. 17 часов 10 минут

Режим LP: прилб. 54 часов 40 минут

• Приведенные выше значения длительности записи указаны в случае удаления вводимых вручную данных, сохраненных в памяти диктофона.

• Вводимые вручную данные можно удалить, подключив диктофон к компьютеру и удалив их, либо отформатировав его память. Дополнительные сведения см. в разделе «**Форматирование диктофона [Format]**».

- Перед удалением данных создайте резервную копию руководства в формате PDF.

### Микрофон:

Электретный конденсаторный микрофон (монофонический)

### Громкоговоритель:

Встроенный 23-мм электродинамический громкоговоритель

### Максимальная мощность:

250 мВт

### Максимальная выходная мощность наушников:

≤ 150 мВ

(в соответствии с EN 50332-2)

### Разъем для наушников (монофонический):

Диаметр  $\varnothing$  3,5 мм, полное

сопротивление 8 Ом

### Разъем для микрофона (монофонический):

Диаметр  $\varnothing$  3,5 мм, полное

сопротивление 2 кОм

### Источник питания:

Два элемента питания типа AAA (LR03) или два перезаряжаемых элемента питания Ni-MH

### Продолжительность работы от элементов питания:

Щелочные элементы питания:

прилб. 37 часов

Перезаряжаемые элементы

питания Ni-MH:

прилб. 25 часов

### Размеры:

102 мм (длина) x 37 мм (ширина) x 18,8 мм (толщина)

(без выступающих частей)

**Вес:** 64,8 г (включая элементы питания)

- Время работы от элемента питания измерено компанией Olympus. Оно значительно зависит от типа используемых элементов питания и условий эксплуатации.

- Занесенное содержание предназначено исключительно для личного пользования. Согласно закону об авторских правах запрещается записывать материалы, защищенные авторским правом, без разрешения владельцев авторского права.

- Спецификация и конструкция могут быть изменены без уведомления с целью улучшения производительности.

## Аксессуары (дополнительное оборудование)

**Зарядное устройство для перезаряжаемых элементов питания Ni-MH:** BU-400 (только для Европы)

**Перезаряжаемый элемент питания Ni-MH:** BR401

**Соединительный шнур (разъем для наушников ↔ разъем для микрофона):** KA333

**Микрофон с функцией шумоподавления:** ME52

**Электретный конденсаторный микрофон:** ME15

**Двойные монофонические наушники:** E20

**Телефонный звукосниматель:** TP7

**Нашейный ремешок:** ST26



Знак «CE» указывает, что данный продукт соответствует европейским требованиям по безопасности, охране здоровья, окружающей среды и защите потребителя.



Этот символ [перечеркнутый мусорный бак на колесиках, Директива ЕС об отходах WEEE, приложение IV] указывает на раздельный сбор мусора для электрического и электронного оборудования в странах ЕС.

Пожалуйста, не выбрасывайте это устройство вместе с бытовыми отходами. Пожалуйста, для утилизации данного продукта используйте действующими в Вашей стране системами возврата и сбора для утилизации. Применимое изделие: VN-6500PC, VN-5500PC, VN-3500PC



Этот символ [перечеркнутый мусорный бак на колесиках, Директива ЕС об отходах 2006/66/ЕС, приложение II] указывает на раздельный сбор использованных элементов питания в странах

ЕС. Пожалуйста, не выбрасывайте элементы питания вместе с бытовыми отходами. Пожалуйста, для утилизации использованных элементов питания используйте действующими в Вашей стране системами возврата и сбора для утилизации.

## SE Introduktion

- Denna bruksanvisning är en grundläggande version. En komplett avancerad handbok finns på webbplatsen [OL MANUAL] i diktafonden och kan även laddas ner från OLYMPUS webbplats.
- Innehållet i detta dokument kan ändras i framtiden utan förbehåll. Kontakta vår kundservice för den senaste informationen angående produktnamn och modellnummer.
- Stor omsorg har lagts på att se till att innehållet i detta dokument är korrekt. Om du trots det skulle hitta någon oklar punkt, något fel eller utelämnade, ber vi dig att kontakta vår kundservice.
- Allt ansvar för passiva skador eller skador av något annat slag på grund av dataförlust som uppstått på grund av en skada på produkten, reparation som utförts av någon annan än Olympus eller en auktoriserad Olympusserviceinrättning, eller någon annan orsak är undantaget.

### Varumärken och registrerade varumärken:

- Microsoft, Windows och Windows Media är registrerade varumärken som tillhör Microsoft Corporation.
- Macintosh är ett varumärke som tillhör Apple Inc.



### Säkerhet och rätt användning

Innan du använder din nya diktafon ska du läsa denna bruksanvisning noggrant för att säkerställa att du vet hur du använder produkten på ett säkert och korrekt sätt. Behåll denna bruksanvisning på en lättåtkomlig plats för framtida bruk.

- Varningsymbolerna indikerar viktig information gällande säkerhet. För att skydda dig själv och andra från personskador eller skador på egendom är det viktigt att du alltid läser varningarna och informationen som ges.

## Komma igång

### Enhetens delar

- ① Inbyggd mikrofon
  - ② MIC-uttag (mikrofonuttag)
  - ③ HOLD-omkopplare
  - ④ USB-kontakt
  - ⑤ STOP (■) -knapp
  - ⑥ PLAY/OK (▶) -knapp
  - ⑦ ⏪ (snabbspolningbakåt) -knapp
  - ⑧ Batterilucka
  - ⑨ FOLDER/INDEX-knapp
  - ⑩ EAR (Earphone)-uttag
  - ⑪ Display (LCD-panel)
  - ⑫ Indikator för inspelning/upspejning
  - ⑬ REC (●) -knapp
  - ⑭ + -knapp
  - ⑮ ▶▶ (snabbspolning framåt) -knapp
  - ⑯ --knapp
  - ⑰ DISP/MENU-knapp
  - ⑱ ERASE (●) -knapp
  - ⑲ Fäste för rem
- Remmen medföljer inte. Använd ett extra tillbehör.

### Display (LCD-panel):

- ① Mappindikator
- ② Indikator för mikrofonkänslighet
- Indikator för lågspärrfilter\*
- Indikator för röstaktivering (Variable Control Voice Actuator)
- Indikator för inspelningsläge
- Indikator för snabb uppspejning
- Indikator för långsam uppspejning
- Indikator för upprepad uppspejning av ljudavsnitt\*
- ③ Guideindikator
- ④ Teckeninformation
- Mätare för inspelningsnivå
- ⑤ Battery indicator
- ⑥ Indikator för raderingsskydd
- ⑦ Aktuellt filnummer

\* Endast för VN-6500PC.

### Sätta in batterier (Fig. 1)

- 1 Tryck lätt på pilen och skjut batterilocket så att det öppnas.
- 2 Sätt i två alkaliska batterier (storlek AA), och se till att vända polerna åt rätt håll.
- 3 Stäng batteriluckan ordentligt.
  - När HOLD-omkopplaren är inställd i pilens riktning, släcks vinsen efter att [HOLD] har visats. Fortsätt med nästa steg utan att bryg dig om detta.

ETT laddningsbart Ni-MH-batteri, (BR401) (medföljer ej), från Olympus kan användas i diktafonden.

### Byta batterier:

- När visas på displayen ska du snarast möjligt byta ut batterierna. Alkaliska batterier (storlek AAA) rekommenderas. När batterierna är urladdade, visas på displayen och diktafonden stängs av.
- För att byta ut batteriet, ska du se till att HOLD-omkopplaren står i motsatt riktning mot pilen innan du byter.

### Strömförsörjning (Fig. 2)

#### Slå på strömmen:

Skjut HOLD-omkopplaren i motsatt riktning mot pilen.

#### Slå av strömmen:

Skjut HOLD-omkopplaren i pilens riktning medan diktafonden inte spelar.

#### Standbyläge och avstängning av displayen:

Om diktafonden stoppas i fem minuter eller längre under inspelning eller uppspejning, går den in i standbyläge (strömsparläge) och displayen stängs av. För att avsluta standbyläge och sätta på displayen, trycker du på valfri knapp.

### Ställa in tid och datum

#### [Time & Date] (Fig. 3)

När du sätter i batterier första gången eller varje gång du byter batterier, blinkar "Month"-indikatorn. Om detta inträffar ska du ställa in tid och datum genom att följa steg 4 till 6 som beskrivs nedan.

- 1 Tryck och håll DISP/MENU-knappen i en sekund eller längre för att gå till huvudmenyn.

2 Tryck på **▶▶|eller|◀◀** för att välja [Sub Menu].

3 Tryck på **PLAY/OK (▶)**-knappen.  
• [Time & Date] visas i displayen, och [◀◀◀▶▶▶] blinkar.

4 Tryck på **▶▶|eller|◀◀** för att välja alternativt att ställa in.

- Välj mellan alternativen "Month", "Day", "Year", "Hour" och "Minute" med en blinkande punkt.

5 Tryck på **+** eller **-** för att aktivera.  
• Följ samma steg genom att trycka på **▶▶|eller|◀◀** för att välja nästa alternativt och tryck på **+** eller **-** för att aktivera.

6 Tryck på **PLAY/OK (▶)**-knappen för att slutföra inställningen.

- Klockan startar från det inställda datumet och tiden.
- Tryck på **PLAY/OK (▶)**-knappen vid tidsignalen.

7 Tryck på **STOP (■)**-knappen för att stänga menyläget.

### Om mappar (Fig. 4)

Diktafonen innehåller fem mappar, [A], [B], [C], [D] och [E]. Om du vill välja en annan mapp, trycker du på **FOLDER/INDEX**-knappen medan diktafonen är stoppad. Upp till totalt 200 filer kan spelas in i varje mapp.  
① Aktuell mapp

### Inspelning (Fig. 5)

1 Tryck på **FOLDER/INDEX**-knappen för att välja önskad mapp.

2 Tryck på **REC (●)**-knappen för att starta inspelningen.  
• Indikatorn för inspelning/ uppspelning blir röd och inspelningen startar.

3 Tryck på **STOP (■)**-knappen för att avbryta inspelningen.  
• Nya inspelningar sparas som den sista filen i mappen.

- ① Aktuell mapp
- ② Aktuellt inspelningsläge
- ③ Aktuellt filnummer
- ④ Inspelningstid
- ⑤ Återstående inspelningstid
- ⑥ Mätare för inspelningsnivå

### Uppspelning (Fig. 6)

1 Tryck på **FOLDER/INDEX**-knappen för att välja önskad mapp.

2 Tryck på **▶▶|eller|◀◀** för att välja filen som ska spelas upp.

3 Tryck på **PLAY/OK (▶)**-knappen för att starta uppspelningen.

- Indikatorn för inspelning/ uppspelning lyser grönt, och förfluten uppspelningstid visas på displayen.

4 Tryck på **+** eller **-** för att ställa in ljudvolymen.

- Displayen visar volymnivån. Du kan välja mellan [00] till [30].

- ① Aktuellt filnummer
- ② Uppspelningstid

Stoppa: (Fig. 7)

Tryck på **STOP (■)**-knappen.

- Diktafonen stoppar mitt i filen som spelas upp.

### Radera

#### Radera en fil åt gången (Fig. 8)

1 Tryck på **FOLDER/INDEX**-knappen för att välja mapp.

2 Tryck på **▶▶|eller|◀◀** för att välja filen som ska raderas.

- ① Fil som ska raderas

3 Tryck på **ERASE (●)**-knappen.

4 Tryck på **▶▶|** för att välja [Start].

5 Tryck på **PLAY/OK (▶)**-knappen.

#### Radera alla filer i mapp (Fig. 9)

1 Tryck på **FOLDER/INDEX**-knappen för att välja den mapp som ska raderas.

- ① Mapp som ska raderas

2 Tryck två gånger på **ERASE (●)**-knappen.

3 Tryck på **▶▶|** för att välja [Start].

4 Tryck på **PLAY/OK (▶)**-knappen.

Observera!

- En raderad fil kan inte återställas.
- En fil där raderingskydd har ställts in, raderas inte.
- Det kan ta flera sekunder innan raderingen har slutförts. Försök inte att ta bort eller byta ut batteriet och försök inte utföra några andra funktioner på diktafonen under den här tiden eftersom data kan skadas.

### Övriga funktioner

#### Ansluta till en dator (Fig. 10)

Förutom att använda denna enhet som en inspelningsenhet kan du använda den som ett externt minne för en dator, som en lagringsenhet.

- Ljudfiler som spelas in av denna diktafon kan spelas upp på en dator med hjälp av Windows Media Player. Du kan även överföra WMA-filer som laddats ned med Windows Media Player till diktafonen och lyssna på dem (utom kopieringskyddade filer).

1 Anslut diktafonens USB-kontakt till en USB-port på en dator eller en USB-hubb.

- När [Remote] visas kan du spara eller läsa data.

2 Överför ljudfilerna till datorn.

- Anslut diktafonen till datorn och starta Utforskaren.

• Diktafonen identifieras som en Flyttbar disk.

- Var och en av de fem mapparna döps till DSS\_FLDA, B, C, D och E. Ljudfilerna sparas i dessa mappar.

• Alla ljudfiler som spelas in på diktafonen är i WMA-format.

Dvs.:

VN-6500PC: VN\_650001.WMA  
VN-5500PC: VN\_550001.WMA  
VN-3500PC: VN\_350001.WMA

- Om du använder Windows 2000, måste Windows Media Player finnas installerad på datorn.

3 Klicka på [ ] i aktivitetsfältet i det nedre högra hörnet på skärmen. Klicka på [Säker borttagning av maskinvara].

- ① USB-kontakt
- ② Sänder data
- ③ Tar emot data

## Använda diktafonen med en dator

<b>Windows</b>	<b>Operativsystem:</b> Microsoft Windows 2000/XP/Vista (standardinstallation)
	<b>Kompatibla datorer:</b> Windows-datorer som har mer än en ledig USB-port
<b>Macintosh</b>	<b>Operativsystem:</b> Mac OS X 10.2.8–10.5 (standardinstallation)
	<b>Kompatibla datorer:</b> Datorer i Apples Macintosh-serie som har mer än en ledig USB-port

Datorn omfattas inte av supporttjänsten om den har uppdaterats från Windows 95 eller 98 till Windows 2000/XP/Vista. Funktionsgarantin täcker inte något fel som uppstår på en dator som har modifierats av användaren.

### Observera!

- Koppla ALDRIG bort USB-kabel medan indikatorn för inspelning/ uppspelning blinkar rött. Om du gör det kan data skadas.
- Se datorns bruksanvisning angående datorns USB-port eller USB-hubb.
- Eftersom brus kan orsaka skadliga effekter på elektroniska enheter nära diktafonenska du koppla bort hörlurarna när du ansluter den till en dator.

## Allmänna försiktighetsåtgärder

Läs denna bruksanvisning noggrant för att säkerställa att du vet hur du använder produkten säkert och på rätt sätt. Behåll denna bruksanvisning på en lättåtkomlig plats för framtida bruk.

- Varningsymbolerna indikerar viktig information gällande säkerhet. För att skydda dig själv och andra från personskador eller skador på egendom är det viktigt att du alltid läser varningarna och informationen som ges.

### Varning gällande dataförlust:

- Innehåll som spelats in i minnet kan skadas eller raderas av misstag, på grund av fel på enheten eller under reparationsarbete.
- När det gäller viktig information rekommenderar vi att du skriver ner den någonstans eller gör en säkerhetskopiering genom att ladda ned informationen till en dator.

- Allt ansvar för passiva skador eller skador av något annat slag på grund av dataförlust som uppstår på grund av en skada på produkten, reparation som utförts av någon annan än Olympus eller en auktoriserad Olympus-serviceinrättning, eller någon annan orsak är undantaget från Olympus ansvarsskyldighet.

## Säkerhet och korrekt användning

- Använd hörlurarna endast efter att du sänkt volymen tillräckligt, i annat fall kan hörseln försämrads och/eller skadas.
- Använd inte hörlurarna med hög volym under långa perioder eftersom detta kan orsaka försämrad och/eller skadad hörsel.
- Se till att stoppa spelaren innan du byter ut batterierna. Om du tar ur batterierna medan spelaren används kan filen skada.
- Lämna inte diktafonen på platser med hög värme och hög luftfuktighet, till exempel inuti en stängd bil som står i direkt solljus eller på en strand under sommaren.
- Förvara inte diktafonen på platser som är mycket fuktiga eller dammiga.
- Använd inte organiska lösningsmedel som till exempel alkohol eller thinner för att rengöra enheten.
- Placera inte diktafonen ovanpå eller nära elektriska apparater som till exempel TV-apparater eller kylskåp.
- Undvik att spela in eller spela upp i närheten av mobiltelefoner eller annan trådlös utrustning, eftersom de kan orsaka störningar och brus. Om du erfar brus går du till en annan plats eller flyttar diktafonen längre bort från sådan utrustning.
- Undvik sand eller smuts. De kan orsaka skador som inte kan åtgärdas.
- Undvik kraftiga vibrationer eller stötar.
- Plocka inte isär, reparera eller ändra enheten själv.
- Använd inte enheten medan du framför ett fordon (till exempel en cykel, motorcykel eller go-kart).
- Förvara enheten utom räckhåll för barn.

## Batteri

### ⚠ Varning:

- Sätt under inga omständigheter in andra delar än huvudenheten i batterifacket. Detta kan resultera i batterifackage, överhettning, brand eller explosion.
- Batterier ska aldrig utsättas för eld, uppvärmning, kortslutas eller tas isär.
- Försök inte ladda alkaliska batterier, litiumbatterier eller några andra icke-laddningsbara batterier.
- Använd aldrig några batterier med ett slitet eller sprucket ytterhölje.
- Förvara batteriet utom räckhåll för barn.
- Om du observerar någonting ovanligt när du använder denna produkt, t.ex. ovanligt ljud, onormal värme, rök eller att det luktar bränt:
  - ① ta omedelbart ur batteriet och var försiktig så du inte bränner dig och;
  - ② kontakta din återförsäljare eller lokala Olympus-representant för service.

## Tekniska specifikationer

### Inspelningsmedium:

Inbyggt flashminne

### Övergripande frekvensomfång:

**VN-6500PC, VN-5500PC:**

HQ-läge: 200 till 13 000 Hz

SQ-läge: 200 till 7 000 Hz

LP-läge: 200 till 3 000 Hz

**VN-3500PC:**

HQ-läge: 200 till 13 000 Hz

SQ-läge: 200 till 7 000 Hz

LP-läge: 200 till 3 000 Hz

### Inspelningstid:

**VN-6500PC, VN-5500PC: 512 MB**

HQ-läge: Cirka 35 timmar 20 minuter

SP-läge: Cirka 69 timmar 35 minuter

LP-läge: Cirka 221 timmar 30 minuter

**VN-3500PC: 128 MB**

HQ-läge: Cirka 8 timmar 40 minuter

SP-läge: Cirka 17 timmar 10 minuter

LP-läge: Cirka 54 timmar 40 minuter

- De ovan angivna inspelningsstiderna anger tider efter att handboken som lagrats på diktafonen tagits bort.

- Handboken kan tas bort genom att du ansluter diktafonen till en dator och tar bort den eller



formaterar diktafonen. Mer information finns i "Formatera diktafonen [Format]".

- Innan du tar bort data bör du göra en säkerhetskopiera av PDF-data för handboken.

#### Mikrofon:

Elektretkondensatormikrofon (mono)

#### Högtalare:

Inbyggd  $\varnothing$  23 mm rund dynamisk högtalare

#### Maximal effekt:

250 mW

#### Maximal utteffekt för hörlurar:

$\leq$  150 mV

(i enlighet med EN 50332-2)

#### Hörlursuttag (mono):

$\varnothing$  3,5 mm diameter, impedans 8  $\Omega$

#### Mikrofonuttag (mono):

$\varnothing$  3,5 mm diameter, impedans 2 k $\Omega$

#### Strömförsörjning:

Två AAA-batterier (LR03) eller två uppladdningsbara Ni-MH-batterier

#### Oavbruten batteritid:

Alkaliska batterier:

Cirka 37 timmar

Uppladdningsbara Ni-MH-batterier:

Cirka 25 timmar

#### Mått:

102 (L) mm x 37 (B) mm x 18,8 (T) mm  
(utan utskjutande delar)

#### Vikt: 64,8 g (inklusive batteri)

- Batteritiden har uppmätts av Olympus. Batteritiderna kan variera mycket beroende på vilken typ av batterier som används och användningsförhållandena.
- Det inspelade innehållet är endast för personlig användning eller nöje. Det är förbjudet att spela in copyrightskyddat material utan tillstånd från innehavaren enligt copyrightlagar.
- Specifikationer och utförande kan ändras utan förbehåll, för förbättrad prestation.

## Tillbehör (medföljer ej):

#### Laddare för Ni-MH-batteri:

BU-400 (endast Europa)

#### Laddningsbart Ni-MH-batteri:

BR401

#### Anslutningskabel (hörlursuttag $\leftrightarrow$ mikrofonuttag):

KA333

#### Brusreducerade mikrofon:

ME52

#### Elektretkondensatormikrofon:

ME15

#### Dubbla monohörlurar:

E20

#### Telefonmikrofon:

TP7

#### Halsrem:

ST26



"CE"-märket visar att denna produkt följer de europeiska kraven för säkerhet, hälso-, miljö- och kundskydd.



Denna symbol [överkorsad soptunna på hjul WEEE Tillägg IV] innebär att elektrisk och elektronisk utrustningskaavfallsorteras i EU-länderna.



Släng inte utrustningen i hushållsavfallet. Använd återvinnings- och uppsamlingsystem som finns i ditt land när produkten ska kasseras.

Tillämplig produkt: VN-6500PC, VN-5500PC, VN-3500PC



Denna symbol [överkorsad soptunna på hjul Direktiv 2006/66/EC Tillägg II] innebär att batterier ska avfallsorteras i EU-länderna. Släng inte batterierna i hushållsavfallet. Använd

återvinnings- och uppsamlingsystem som finns i ditt land när batterierna ska kasseras.

## SI Uvod

- V teh navodilih so samo osnovne informacije. Podroben priročnik dobite v mapi [OL MANUAL] diktafona ali pa si ga prenesite z Olympusove spletne strani.
- Vsebinsa tega dokumenta se lahko v prihodnosti spremeni brez predhodnega opozorila. Najnovejši podatke o imenih izdelkov in številkah modelov dobite v našem centru za podporo strankam.
- V tem dokumentu smo največ pozornosti namenili zagotavljanju celovitosti vsebine. Če nalepite na nejasnosti v zvezi z izdelkom, na napako ali izpust, se obrnite na naš center za podporo strankam.
- Olympus ne odgovarja za pasivne poškodbe, do katerih pride zaradi izgube podatkov, ki jo povzročijo okvara na izdelku, popravilo kjer koli drugje kot v Olympusovem ali pooblaščenem Olympusovem servisu ali kateri koli drug razlog.

### Blagovne znamke in zaščitene blagovne znamke:

- Microsoft, Windows in Windows Media so zaščitene blagovne znamke družbe Microsoft Corporation.
- Macintosh je blagovna znamka družbe Apple.



### Varna in pravilna uporaba

**Pred uporabo vašega novega diktafona si skrbno preberite ta priročnik, da se boste seznanili z varno in pravilno uporabo naprave. Ta priročnik hranite na dostopnem mestu za morebitno prihodnjo uporabo.**

- Simboli za opozorila označujejo pomembne informacije, povezane z varnostjo. Da bi sebe in druge zaščitili pred poškodbami in materialno škodo, je pomembno, da vedno preberete priložena opozorila ter informacije.

## Prvi koraki

### Nazivi delov

- 1 Vgrajeni mikrofoni
- 2 Vtičnica MIC (mikrofon)
- 3 Stikalo HOLD
- 4 Terminal USB

- 5 Gumb STOP (■)
- 6 Gumb PLAY/OK (▶)
- 7 [◀◀] Gumb (previjanje nazaj)
- 8 Pokrov baterije
- 9 Gumb FOLDER/INDEX
- 10 Vtičnica EAR (slušalke)
- 11 Zaslon (LCD-plošča)
- 12 Kontrolna lučka snemanja/predvajanja
- 13 Gumb za snemanje REC (●)
- 14 Gumb +
- 15 Gumb ▶▶ (hitro previjanje naprej)
- 16 Gumb -
- 17 Gumb DISP/MENU
- 18 Gumb za brisanje ERASE (●)
- 19 Luknjica za pašček

• Pašček ni priložen. Uporabite dodatno opremo.

### Zaslon (LCD-plošča):

- 1 Indikator zapolnenosti map
- 2 [🔊] Indikator občutljivosti mikrofona
- [🔊] Indikator filtra za nizke frekvence\*
- [🔊] Indikator vklopa ob zaznavanju glasu
- [HQ SP LP] Indikator načina snemanja
- [▶▶] Indikator hitrega predvajanja
- [▶] Indikator počasnega predvajanja
- [◻] Indikator predvajanja segmenta\*

- 3 Indikator premika
- 4 Znakovni prikazovalnik Merilnik ravni snemanja
- 5 Indikator napolnjenosti baterije
- 6 Indikator zaklepanja pred brisanjem
- 7 Številka trenutne datoteke

\* Le pri VN-6500PC.

### Vstavljanje baterij (Slika 1)

- 1 Rahlo pritisnite na puščico in potisnite pokrov baterije tako, da se odpre.
- 2 Vstavite alkalni bateriji AAA, pri čemer bodite pozorni na pravilno polarnost.
- 3 Zaprite pokrov baterije.

- Ko je stikalo HOLD potisnjeno v smer, ki jo označuje puščica, se zaslon izklopi, ko se prikaže [HOLD]. Ne glede na to sledite naslednjemu koraku.

**Diktafon lahko uporablja tudi Olympusovo baterijo za polnjenje NiMH (BR401).**

### Zamenjava baterij:

Ko se na zaslonu prikaže [🔊], čim prej zamenjajte baterije. Priporočamo alkalne baterije AAA. Ko se baterije izpraznijo, se na zaslonu prikaže [🔊], diktafon pa se izkluči.

- Pred zamenjavo baterije najprej potisnite stikalo HOLD v obratno smer, kot kaže puščica.

### Napajanje (Slika 2)

#### Vklop:

Potisnite stikalo HOLD v obratno smer, kot kaže puščica.

#### Izklop:

Ko diktafon ne deluje, potisnite stikalo HOLD v smer, kot kaže puščica.

#### Stanje pripravljenosti in izklop zaslona:

Če se diktafon med snemanjem ali predvajanjem ustavi za 5 minut ali več, se preklopi v stanje pripravljenosti (varčevanje z energijo), zaslon pa se izklopi. Če želite zapustiti stanje pripravljenosti in vklopiti zaslon, pritisnite katero koli tipko.

### Nastavljanje ure in datuma

#### [Time & Date] (Slika 3)

Ko prvič vstavite baterije ali ko jih zamenjate, na zaslonu utripa »Month«. V tem primeru nastavite datum in uro, kot je opisano v korakih 4 do 6 spodaj.

- 1 Če želite v glavni meni, pritisnite in pridržite gumb DISP/MENU vsaj 1 sekundo.
- 2 Za izbiro pritisnite gumb ▶▶ ali [◀◀] [Sub Menu].
- 3 Pritisnite gumb PLAY/OK (▶).
  - Na zaslonu se prikaže [Time & Date] in utripa [H:M:S].
- 4 Pritisnite gumb ▶▶ ali [◀◀] in izberite element, ki ga želite nastaviti.
  - Z utripajočo puščico izberite elemente »Month«, »Day«, »Year«, »Hour« in »Minute«.

- 5 Za nastavitve pritisnite gumb + ali –.**
- Sledite enakim korakom in pritisčajte gumb ►►► ali ◀◀◀, da izberete naslednji element, nato pa za nastavitve pritisnite gumb + ali –.

- 6 Pritisnite gumb PLAY/OK (►), če želite zaključiti nastavitve.**
- Ura bo začela delovati z nastavljenim datumom in časom.
  - Pritisnite gumb PLAY/OK (►) glede na časovni signal.

- 7 Pritisnite gumb STOP (■), če želite zapreti menije.**

#### Opombe o mapah (Slika 4)

Diktafon ima pet map, [A], [B], [C], [D] in [E]. Če želite spremeniti izbiro map, pritisnite gumb FOLDER/INDEX, ko je diktafon ustavljen. V posamezno mapo lahko shranite do 200 datotek.

- 1 Trenutna mapa

#### Snemalja (Slika 5)

- 1 Pritisnite gumb FOLDER/INDEX, če želite izbrati zeleno mapo.
- 2 Če želite začeti snemati, pritisnite gumb REC (●).

  - Kontrolna lučka snemanja/predvajanja zasveti rdeče in snemanje se začne.

- 3 Če želite ustaviti snemanje, pritisnite gumb STOP (■).

  - Novi posnetki se shranijo kot zadnja datoteka v mapi.

- 1 Trenutna mapa
- 2 Trenutni način snemanja
- 3 Številka trenutne datoteke
- 4 Snemalni čas
- 5 Preostali čas snemanja
- 6 Merilnik ravni snemanja

#### Predvajanje (Slika 6)

- 1 Pritisnite gumb FOLDER/INDEX, če želite izbrati zeleno mapo.
- 2 Pritisnite gumb ►►► ali ◀◀◀ in izberite element za predvajanje.
- 3 Pritisnite gumb PLAY/OK (►), če želite začeti predvajanje.

  - Kontrolna lučka snemanja/predvajanja zasveti zeleno in na zaslonu se izpiše potekel predvajalni čas.

- 4 Pritisnite gumb + ali –, če želite nastaviti primerno glasnost.

- Na zaslonu je prikazana stopnja glasnosti. Izberete lahko od [00] do [30].
- 1 Številka trenutne datoteke
  - 2 Predvajalni čas

#### Ustavitev: (Slika 7)

##### Pritisnite gumb STOP (■).

- Diktafon se ustavi med predvajanjem datoteke.

## Erase

#### Brisanje posameznih datotek (Slika 8)

- 1 Pritisnite gumb FOLDER/INDEX, če želite izbrati mapo.
- 2 Pritisnite gumb ►►► ali ◀◀◀ in izberite datoteko, ki jo želite zbrisati.

  - 1 Datoteka za brisanje

- 3 Pritisnite gumb ERASE (●).
- 4 Pritisnite gumb ►►►, če želite izbrati [Start].
- 5 Pritisnite gumb PLAY/OK (►).

#### Brisanje vseh datotek v mapi (Slika 9)

- 1 Pritisnite gumb FOLDER/INDEX in izberite mapo, ki jo želite izbrisati.

  - 1 Mapa za brisanje

- 2 Dvakrat pritisnite gumb ERASE (●).
- 3 Pritisnite gumb ►►► in izberite [Start].
- 4 Pritisnite gumb PLAY/OK (►).

##### Opombe:

- Izbrisane datoteke ni možno obnoviti.
- Zaklenjena datoteka se ne bo izbrisala.
- Postopek brisanja lahko traja nekaj sekund. Med tem časom ne odstranjuje in ne zamenjuje baterij in ne aktivirajte drugih funkcij diktafona, saj bi lahko s tem poškodovali podatke.

## Druge funkcije

#### Priklop na vaš računalnik (Slika 10)

Diktafon lahko uporabite tudi kot zunanji pomnilnik osebnega računalnika.

- Zvočne datoteke, posnete s tem diktafonom, lahko predvajate v svojem računalniku s programom Windows Media Player. Datoteke WMA, kistejete prenesli s programom Windows Media Player, lahko kopirate v diktafon in jih uporabljate (samo datoteke, ki niso zaščitene).

- 1 Terminal USB diktafona povežite z vrati ali zvezdiščem USB osebnega računalnika.

- Ko se prikaže [Remote], lahko podatke shranite ali prebratete.

- 2 Kopiranje zvočnih datotek v računalnik.

- Povežite diktafon z računalnikom in odprite program Explorer.
- Računalnik bo prepoznal diktafon kot odstranljivi disk.
- Mape se poimenujejo DSS\_FLDA, B, C, D in E. Zvočne datoteke se shranijo v te mape.
- Vse zvočne datoteke, kijih posname ta diktafon, so v zapisu WMA.

tj.:

VN-6500PC: VN\_650001.WMA  
VN-5500PC: VN\_550001.WMA  
VN-3500PC: VN\_350001.WMA

- Če uporabljate operacijski sistem Windows 2000, mora biti program Windows Media Player nameščen na računalniku.

- 3 V opravilni vrstici kliknite ikono , ki se nahaja v spodnjem desnem kotu zasлона. Kliknite [Varno odstranjevanje računalniške opreme].

- 1 Terminal USB
- 2 Pošiljanje podatkov
- 3 Prejemanje podatkov

#### Uporaba diktafona z osebnim računalnikom

Windows	Operating System:
	Microsoft Windows 2000/XP/Vista (standardna namestitve)
	<b>Združljivi osebni računalniki:</b>
	Osebni računalniki z nameščenim operacijskim sistemom Windows, ki imajo na razpolago več kot ena vrata USB

<b>Macintosh</b>	<b>Operacijski sistem:</b> Mac OS X 10.2,8 ~ 10.5 (standardna namestitve)
	<b>Združljivi osebni računalniki:</b> Osebni računalniki izdelovalca Apple Macintosh, ki imajo na razpolago več kot ena vrata USB

Ne podpiramo nadgrajenih računalnikov z operacijskega sistema Windows 95 ali 98 na Windows 2000/XP/Vista. Napake v doma predelanih računalnikih niso vključene v garancijo.

#### **Opombe:**

- NIKOLI ne izvlecite kabla USB, ko kontrolnalučkasnemanja/predvajanja utripa rdeče. Če kabel izvlečete, se utegnejo podatki uničiti.
- Informacije o vratih ali zvezdišču USB na računalniku najdete v navodilih za uporabo, ki ste jih prejeli z osebnim računalnikom.
- Ker lahko hrup neugodno vpliva na elektronske naprave v bližini diktafona, pred povezovanjem diktafona z računalnikom iztaknite slušalke.

## **Splošni varnostni ukrepi**

Skrbno preberite ta priročnik, da se boste seznanili z varno in pravilno uporabo naprave. Ta priročnik hranite na dostopnem mestu za morebitno prihodnjo uporabo.

- Simboli za opozorila označujejo pomembne informacije, povezane z varnostjo. Da bi sebe in druge zaščitili pred poškodbami in materialno škodo, je pomembno, da vedno preberete priložena opozorila ter informacije.

#### **Opozorilo glede izgube podatkov:**

- Posneta vsebina, shranjena v pomnilniku, se lahko zaradi napačne uporabe, okvare naprave ali med popravilom naprave uniči ali izbrši.
- Priporočamo, da pomembne vsebine nekam zapišete ali pa jih kopirate v osebni računalnik.
- Olympus ne odgovarja za pasivne poškodbe, do katerih pride zaradi izgube podatkov, ki jo povzročijo okvara na izdelku, popravilo kjer koli drugje kot v Olympusovem

ali pooblaščenem Olympusovem servisu ali kateri koli drug razlog.

## **Varna in pravilna uporaba**

- Pred uporabo slušalk dovolj zmanjšajte glasnost, da ne bi prišlo do zmanjšanja slušne sposobnosti in/ali poškodbe sluha.
- Če dlje časa uporabljate slušalke pri veliki glasnosti, lahko pride do zmanjšanja slušne sposobnosti in/ali poškodbe sluha.
- Pred zamenjavo baterij izklopite diktafon. Če odstranite baterije, ko je diktafon v rabi, lahko pokvarite datoteko.
- Diktafona ne puščajte na vročih, vlažnih mestih, kot na primer znotraj zaprtega avtomobila pod neposredno sončno svetlobo ali poleti na plaži.
- Diktafona ne shranjujte na mestih, izpostavljenih prekomerni vlagi ali prahu.
- Za čiščenje naprave ne uporabljajte organskih topil, kot sta alkohol ali razrednilo.
- Diktafona ne odlagajte na vrh ali v bližino električnih pripomočkov, kot so televizije ali hladilniki.
- Diktafona ne uporabljajte za snemanje ali predvajanje v bližini mobilnih telefonov ali druge brezžične opreme, ker lahko povzročijo motnje in šum. Če zaslišite šumenje, se prestavite na drugo mesto ali pa diktafon oddaljite od tvorstne opreme.
- Izogibajte se pesku ali umazaniji. Lahko namreč povzročita nepopravljivo škodo.
- Izogibajte se močnim vibracijam ali udarcem.
- Naprave sami ne razstavljajte, popravljajte ali spreminjajte.
- Enote ne uporabljajte med vožnjo (npr. kolesa, motorja ali gokarta).
- Napravo shranjujte izven dosega otrok.

### **Baterija**

#### **⚠ Opozorilo:**

- V nobenem primeru ne vstavljajte drugih predmetov v predal za baterijo. To lahko povzroči razlitje baterijske tekočine, pregretje, požar ali eksplozijo.
- Baterije ne smete nikoli izpostaviti

ognju, je segrevati, kratko vezati ali razstavljati.

- Ne poskušajte polniti alkalne, litijeve ali druge baterije, ki ni predvidena za polnjenje.
- Nikoli ne uporabljajte baterije z uničeno ali počeno zunanjo plastjo.
- Baterijo shranjujte izven dosega otrok.
- Če opazite kaj nenavadnega, ko uporabljate ta izdelek, kot je neobičajen zvok, toplota, dim ali vonj po zažganem:
  - ① takoj odstranite baterije, pri čemer pazite, da se ne opečete, in;
  - ② pokličite prodajalca ali Olympusovega zastopnika za servisiranje.

## **Tehnični podatki**

#### **Medij za snemanje:**

Vgrajen bliskovni pomnilnik

#### **Skupni frekvenčni odziv:**

**VN-6500PC, VN-5500PC:**

način HQ: 200 do 13.000 Hz

način SQ: 200 do 7.000 Hz

način LP: 200 do 3.000 Hz

**VN-3500PC:**

način HQ: 200 do 13.000 Hz

način SQ: 200 do 7.000 Hz

način LP: 200 do 3.000 Hz

#### **Snemalni čas:**

**VN-6500PC, VN-5500PC: 512 MB**

način HQ: približno 35 ur 20 minut

način SP: približno 69 ur 35 minut

način LP: približno 221 ur 30 minut

**VN-3500PC: 128 MB**

način HQ: približno 8 ur 40 minut

način SP: približno 17 ur 10 minut

način LP: približno 54 ur 40 minut

• Zgoraj omenjeni snemalni časi so časi po izbrisu vseh posnetih podatkov v diktafonu.

• Podatke lahko izbršete tako, da povežete diktafon z računalnikom in jih izbršete, ali pa diktafon formatirate. Za več podrobnosti si preberite »Formatiranje diktafona [Format]«.

• Preden izbršete podatke, naredite varnostno kopijo priročnika.

#### **Mikrofon:**

Kondenzatorski mikrofoni (mono)

**Zvočnik:**

Vgrajen okrogel dinamični zvočnik  
 ø 23 mm

**Največja moč:**

250 mW

**Največja izhodna moč slušalk:**

≤ 150 mW  
 (v skladu s EN 50332-2)

**Vtičnica za slušalke (mono):**

vtičnica ø 3,5 mm, upor 8 Ω

**Vtičnica za mikrofon (mono):**

vtičnica ø 3,5 mm, upor 2 kΩ

**Napajanje:**

Dve bateriji AAA (LR03) ali dve bateriji  
 Ni-MH za večkratno polnjenje

**Trajanje baterij:**

Alkalne baterije:  
 pribl. 37 ur

Bateriji Ni-MH za večkratno polnjenje:  
 pribl. 25 ur

**Mere:**

102 (D) mm x 37 (Š) mm x 18,8 (G) mm  
 (brez izbočenih delov)

**Teža:** 64,8 g (vključno z baterijami)

- Trajanje baterije je izmerilo podjetje Olympus. Življenjska doba se močno razlikuje glede na uporabljeno vrsto baterije in pogoje uporabe.
- Posneta vsebina je namenjena zgolj za osebno uporabo ali zabavo. V skladu z zakoni o avtorskih pravicah je brez dovoljenja lastnika avtorskih pravic prepovedano snemati zaščitene vsebine.
- Specifikacije in oblika se lahko zaradi izboljšav v delovanju spremenijo brez obvestila.

**Dodatna oprema (po izbiri)****Polnilec za baterije za polnjenje**

Ni-MH: BU-400 (samo Evropa)

**Baterija za polnjenje Ni-MH:**

BR401

**Kabel (vtičnica za slušalke ↔**

vtičnica za mikrofon): KA333

**Mikrofon za izničenje šumov:**

ME52

**Kondenzatorski mikrofon:**

ME15

**Dvojne mono slušalke:** E20**Telefonski mikrofon:** TP7**Jerme n za nošnje okoli vratu:** ST26

Oznaka »CE« pomeni, da je ta izdelek skladen z evropskimi zahtevami glede varnosti ter zaščite zdravja, okolja in uporabnika.



Ta simbol [prečrtani smetnjak na kolesih, WEEE priloga IV] nakazuje ločeno zbiranje odpadne električne in elektronske opreme v državah EU.

Opreme ne odvrzite med gospodinjske odpadke. Za odstranjevanje tega

izdelka uporabite sisteme za vračanje in zbiranje odpadkov, ki so na voljo v vaši državi.

Velja za izdelek: VN-6500PC, VN-5500PC, VN-3500PC



Ta simbol [prečrtani smetnjak na kolesih, Direktiva 2006/66/ES Priloga II] nakazuje ločeno zbiranje odpadnih baterij v državah EU. Baterij ne odvrzite med gospodinjske odpadke.

Za odstranjevanje odpadnih baterij uporabite sisteme za vračanje in zbiranje odpadkov, ki so na voljo v vaši državi.

- Toto je iba stručná verzia návodu. Súbor s kompletným podrobným návodom nájdete uložený v rekordéri v priečinku [OL MANUAL], alebo si ho môžete prevziať na webovej stránke spoločnosti OLYMPUS.
- Obsah tohto dokumentu sa v budúcnosti môže zmeniť bez predchádzajúceho upozornenia. Najnovšie informácie o názvoch výrobkoch a číslach modelov získate v centre zákazníckej podpory.
- Vynaložili sme maximálne úsilie v záujme zaručenia integrity obsahu tohto dokumentu. Ak však v nepravdepodobnom prípade natrafíte na spornú vec, chybu, vynechanie, obráťte sa na centrum zákazníckej podpory.
- Spoločnosť Olympus nie je zodpovedná za žiadne pasívne škody ani za žiadne škody, ktoré vznikli v dôsledku straty údajov spôsobenej chybou výrobku, opravou vykonanou treťou stranou inou ako spoločnosťou Olympus alebo servisným miestom autorizovaným spoločnosťou Olympus, ani z ľubovoľných iných dôvodov.

#### Ochranné známky a registrované ochranné známky:

- Microsoft, Windows a Windows Media sú registrované ochranné známky spoločnosti Microsoft Corporation.
- Macintosh je ochranná známka spoločnosti Apple Inc.



#### Bezpečné a správne používanie

Pred používaním rekordéra si pozorne prečítajte tento návod. Sú v ňom uvedené informácie o bezpečnej a správnej obsluhu. Tento návod si odložte na dostupnom mieste ako zdroj informácií do budúcnosti.

- Výstražné symboly označujú dôležité informácie týkajúce sa bezpečnosti. V záujme ochrany seba aj iných pred zranením alebo poškodením majetku je veľmi dôležité, aby ste si vždy prečítali výstrahy a súvisiace informácie.

## Začíname

### Identifikácia súčasti

- 1 Vstavaný mikrofón
- 2 Konektorová zásuvka MIC (mikrofón)
- 3 Prepínač HOLD
- 4 Konektor rozhrania USB
- 5 Tlačidlo STOP (■)
- 6 Tlačidlo PLAY/OK (▶)
- 7 Tlačidlo ◀◀ (posúvanie dozadu)
- 8 Kryt batérií
- 9 Tlačidlo FOLDER/INDEX
- 10 Konektorová zásuvka EAR (slúchadlá)
- 11 Displej (LCD panel)
- 12 Indikátor nahrávania a prehrávania
- 13 Tlačidlo nahrávania REC (●)
- 14 Tlačidlo +
- 15 Tlačidlo ▶▶ (rýchle posúvanie dopredu)
- 16 Tlačidlo –
- 17 Tlačidlo DISP/MENU
- 18 Tlačidlo mazania ERASE (●)
- 19 Otvor na remienok

• Remienok nie je súčasťou príslušenstva. Môžete ho zakúpiť ako voľiteľný doplnok.

### Displej (LCD panel):

- 1 Indikátor priečinka
- 2 Indikátor citlivosti mikrofónu
- Indikátor filtra nízkych frekvencií\*
- Indikátor funkcie spúšťanie nahrávania pri voľiteľnej sile zvuku (VCVA)
- Indikátor režimu nahrávania
- Indikátor zrýchleného prehrávania
- Indikátor spomaleného prehrávania
- Indikátor opakovaného prehrávania úseku\*

- 3 Indikátor navigácie
- 4 Oblasť s textovými informáciami
- 5 Indikátor úrovne nahrávania
- 6 Indikátor batérie
- 7 Indikátor ochrany proti vymazaniu
- 7 Číslo aktuálneho súboru

\* Len pre model VN-6500PC.

### Vloženie batérií (Fig. 1)

- 1 Zláhka zatlačte na šípku a vysuňte kryt batérií.
- 2 Vložte dve batérie veľkosti AAA, pričom dodržte správnu polaritu.
- 3 Úplne zovrtote kryt batérie.
  - Ak je prepínač HOLD nastavený do polohy v smere šípky, na displeji sa zobrazí nápis [HOLD] a displej sa vypne. Bez ohľadu na to pokračujte ďalším krokom.

V rekordéri je možné používať nabíjateľnú batériu Ni-MH BR401 (voľiteľne príslušenstvo) značky Olympus.

### Výmena batérií:

- Keď sa na displeji zobrazia indikátory , čo najskôr vyberte batérie. Odporúčame používať alkalické batérie veľkosti AAA. Keď sa batérie vybijú, na displeji sa zobrazia indikátory a rekordér sa vypne.
- Pred výmenou batérie nastavte prepínač HOLD do polohy proti smeru šípky.

### Napájanie (Fig. 2)

#### Zapnutie:

Posuňte prepínač HOLD proti smeru šípky.

#### Vypnutie:

Keď rekordér nie je v činnosti, posuňte prepínač HOLD v smere šípky.

#### Pohotovostný režim a vypínanie displeja:

Ak je rekordér v režime nahrávania alebo prehrávania zastavený 5 minút alebo dlhšie, prepne sa do pohotovostného (úsporného) režimu a jeho displej sa vypne. Stlačením ktoréhokoľvek tlačidla ukončíte pohotovostný režim a displej sa opäť zapne.

### Nastavenie času a dátumu [Time & Date] (Fig. 3)

Poprvom vloženie batérií a pri každej výmene batérií začne blikať údaj „Month“. V tom prípade nastavte čas a dátum podľa pokynov v nižšie uvedených krokoch 4 až 6.

- 1 Stlačením a podržaním tlačidla DISP/MENU na 1 sekundu alebo dlhšie otvorte hlavné menu.
- 2 Stlačením tlačidla ▶▶ alebo ◀◀ zvolte položku [Sub Menu].

### 3 Stlačte tlačidlo **PLAY/OK** (▶) .

- Na displeji sa zobrazí položka [Time & Date] a začne blikať indikátor [◀▶OK▶].

### 4 Stlačením tlačidla ▶▶▶ alebo ◀◀◀ si zvolíte položku, ktorú chcete nastaviť.

- Zvoľte si položku „Month“, „Day“, „Year“, „Hour“ alebo „Minute“, pričom zvolenú položku označuje blikajúci bod.

### 5 Pomocou tlačidiel + a – nastavte hodnotu položky.

- Rovnako nastavte všetky položky: stlačením tlačidla ▶▶▶ alebo ◀◀◀ si zvolíte ďalšiu položku a pomocou tlačidla + alebo - ju nastavte.

### 6 Stlačením tlačidla **PLAY/OK** (▶) ukončíte obrazovku nastavenia.

- Hodiny sa spustia od nastaveného dátumu a času.
- Tlačidlo **PLAY/OK** (▶) stlačte podľa časového signálu.

### 7 Stlačením tlačidla **STOP** (■) zatvorte menu.

#### Poznámky k priečinkom (Fig. 4)

Rekordér má päť priečinkov: [A], [B], [C], [D] a [E]. Stlačením tlačidla **FOLDER/INDEX** pri zastavenom rekordéri môžete zvoliť iný priečink. Do každého priečinka je možné uložiť max. 200 súborov.

- ① Aktuálny priečink

### Nahrávanie (Fig. 5)

#### 1 Pomocou tlačidla **FOLDER/INDEX** zvolte požadovaný priečink.

#### 2 Stlačením tlačidla **REC** (●) spustíte nahrávanie.

- Indikátor nahrávania/prehrávania začne svietiť načerveno a začne sa nahrávanie.

#### 3 Stlačením tlačidla **STOP** (■) zastavte nahrávanie.

- Nová nahrávka sa uloží ako posledný súbor v priečinku.

- ① Aktuálny priečink
- ② Aktuálny režim nahrávania
- ③ Číslo aktuálneho súboru
- ④ Čas nahrávania
- ⑤ Zostávajúci čas na nahrávanie
- ⑥ Indikátor úrovne nahrávania

### Prehrávanie (Fig. 6)

#### 1 Pomocou tlačidla **FOLDER/INDEX** zvolte požadovaný priečink.

#### 2 Pomocou tlačidiel ▶▶▶ a ◀◀◀ zvolte súbor, ktorý chcete prehrať.

#### 3 Stlačením tlačidla **PLAY/OK** (▶) spustíte prehrávanie.

- Indikátor nahrávania a prehrávania začne svietiť nazeleno a na displeji sa začne zobrazovať uplynutý čas prehrávania.

#### 4 Pomocou tlačidiel + a – nastavte požadovanú hlasitosť.

- Na displeji sa zobrazí úroveň hlasitosti. Môžete nastaviť úroveň hlasitosti [00] až [30].

- ① Číslo aktuálneho súboru
- ② Čas prehrávania

#### Zastavenie: (Fig. 7)

#### Stlačte tlačidlo **STOP** (■)

- Prehrávanie súboru sa okamžite zastaví.

### Mazanie

#### Vymazanie jedného súboru (Fig. 8)

#### 1 Pomocou tlačidla **FOLDER/INDEX** zvolte priečink.

#### 2 Pomocou tlačidiel ▶▶▶ a ◀◀◀ zvolte súbor, ktorý chcete vymazať.

- ① Súbor, ktorý sa má vymazať

#### 3 Stlačte tlačidlo **ERASE** (●).

#### 4 Stlačením tlačidla ▶▶▶ zvolte položku [Start].

#### 5 Stlačte tlačidlo **PLAY/OK** (▶).

#### Vymazanie všetkých súborov z priečinka (Fig. 9)

#### 1 Pomocou tlačidla **FOLDER/INDEX** zvolte priečink, ktorý chcete vymazať.

#### 2 Dvackrát stlačte tlačidlo **ERASE** (●).

#### 3 Stlačením tlačidla ▶▶▶ zvolte položku [Start].

#### 4 Stlačte tlačidlo **PLAY/OK** (▶).

#### Poznámky:

- Vymazaný súbor už nie je možné obnoviť.
- Súbor s nastavenou ochranou proti vymazaniu sa nevymaže.

- Dokončenie mazania môže trvať niekoľko sekúnd. V tomto čase nevyberajte ani nevymieňajte batérie a nevykonávajte žiadne iné úkony s rekordérom, aby nedošlo k poškodeniu nahrávok.

### Ďalšie funkcie

#### Pripojenie k počítaču (Fig. 10)

Rekordér môžete využiť nielen na nahrávanie zvuku, ale aj ako externé pamäťové zariadenie, ktoré môžete pripojiť k počítaču.

- Zvukové nahrávky vytvorené v rekordéri môžete prehrávať počítačom pomocou programu Windows Media Player. Okrem toho si môžete súbory vo formáte WMA prevzítať pomocou programu Windows Media Player prenesť do rekordéra a tam ich prehrať (s výnimkou súborov chránených autorskými právami).

#### 1 Pripojte konektor rozhrania **USB** na rekordéri s **USB portom** na počítači alebo **USB rozbočovači**.

- Keď sa zobrazí nápis [Remote], môžete začať ukladať alebo načítavať súbory.

#### 2 Preneste zvukové súbory do počítača.

- Pripojte rekordér k počítaču a spustite program Explorer (prieskumník).
- Rekordér je rozpoznávaný pod názvom Removable disk (Vymeniteľný disk).
- Päť priečinkov rekordéra sa zobrazí pod názvami DSS\_FLDA, B, C, D a E. V týchto priečinkoch sú uložené zvukové súbory.

- Všetky zvukové súbory nahraté v tomto rekordéri majú formát WMA.

t.j.:

VN-6500PC: VN\_650001.WMA  
VN-5500PC: VN\_550001.WMA  
VN-3500PC: VN\_350001.WMA

- Ak používate systém Windows 2000, na počítači musí byť nainštalovaný program Windows Media Player.

#### 3 Kliknite na ikonu [ ] na paneli úloh v pravom dolnom rohu obrazovky. Kliknite na položku [Bezpečné odstránenie hardvéru].

- ① Konektor rozhrania USB
- ② Odosielanie dát
- ③ Príjem dát

Windows	<b>Operačný systém:</b> Microsoft Windows 2000/XP/Vista (štandardná inštalácia)
	<b>Kompatibilné počítače:</b> Počítač so systémom Windows vybavený aspoň dvomi voľnými USB portami
Macintosh	<b>Operačný systém:</b> Mac OS X 10.2.8 – 10.5 (štandardná inštalácia)
	<b>Kompatibilné počítače:</b> Počítač série Apple Macintosh vybavené aspoň dvomi voľnými USB portami

Podpora sa nevzťahuje na počítače, ktoré boli aktualizované zo systému Windows 95 alebo 98 na systém Windows 2000/XP/Vista. Záruka sa nevzťahuje na poruchy na užívateľom upravených počítačoch.

#### Poznámky:

- NIKDY neodpájajte rozhranie USB, keď indikátor nahrávania/prehrávania bliká načerveno. Ak to urobíte, údaje sa môžu zničiť.
- Informácie o USB porte počítača alebo USB rozbočovači nájdete v návode na používanie počítača.
- Keďže rušenie môže mať nepriaznivú účinky na elektronické zariadenia v blízkosti rekordéra, pri pripojení rekordéra k počítaču odpojte slúchadlo.

## Všeobecné upozornenia

Pozorne prečítajte tento návod. Sú v ňom uvedené informácie o bezpečnej a správnej obsluhu. Tento návod si odložte na dostupnom mieste ako zdroj informácií do budúcnosti.

- Výstražné symboly označujú dôležité informácie týkajúce sa bezpečnosti. V záujme ochrany seba aj iných pred zranením alebo poškodením majetku je veľmi dôležité, aby ste si vždy prečítali výstrahy a súvisiace informácie.

#### Výstraha o hrozbe straty údajov:

- Obsah nahráty v pamäti sa môže zničiť alebo vymazať pri chybné prevádzke, funkčnej poruche zariadenia alebo počas opravy.

- Obsah dôležitých nahrávok vám odporúčame prepísať do písomnej podoby, alebo vytvoriť záložnú kópiu na počítači.
- Spoločnosť Olympus nie je zodpovedná za žiadne pasívne škody ani za žiadne škody, ktoré vznikli z dôvodu straty údajov spôsobenej chybou výrobcu, opravou vykonanou tretou stranou inou ako spoločnosťou Olympus alebo autorizovaným servisným strediskom spoločnosti Olympus, ani z akýchkoľvek iných dôvodov.

## Bepečné a správne používanie

- Slúchadlá používajte až po dostatočnom znížení hlasitosti v slúchadlách. Inak hrozí poškodenie alebo poruchy sluchu.
- Slúchadlá nepoužívajte príliš dlho pri vysokej hlasitosti, pretože by to mohlo spôsobiť poškodenie alebo poruchu sluchu.
- Pred výmenou batérií rekordér vždy zastavte. Vybratím batérií počas používania rekordéra sa môže poškodiť súbor s nahrávkou.
- Nenechávajte rekordér na horúchich a vlhkých miestach, ako napríklad v priamom slnečnom svetle vnútri uzavretého automobilu alebo v lete na pláži.
- Neodkladajte rekordér na miesta vystavené nadmernej vlhkosti alebo prachu.
- Na čistenie zariadenia nepoužívajte organické rozpúšťadlá, ako napríklad alkohol alebo riedidlá.
- Neukladajte rekordér na elektrické spotrebiče, ako sú napríklad televízory alebo chladničky.
- Vyhýbajte sa nahrávaniu alebo prehrávaniu v blízkosti mobilných telefónov alebo iných bezdrôtových zariadení, pretože to môže spôsobiť rušenie a šum. V prípade výskytu šumu sa presuňte na iné miesto alebo presuňte rekordér ďalej od takéhoto zariadenia.
- Vyhýbajte sa piesku a špiny. Môže to spôsobiť neopraviteľné škody.
- Vyhýbajte sa silným vibráciám alebo otroskom.
- Zariadenie sami nerozoberajte, neopravujte ani neupravujte.

- Zariadenie nepoužívajte počas vedenia dopravného prostriedku (ako je napríklad bicykel, motocykel alebo motokára).
- Zariadenie udržiavte mimo dosahu detí.

### Batéria

#### ▲ Výstraha:

- V žiadnom prípade nekladajte do priestoru na batérie žiadne iné súčasti okrem batérií. Mohlo by dôjsť k vytečeniu, prehriatiu, vznieteniu alebo výbuchu batérie.
- Batéria nevystavujte ohňu, nezahrievajte ju, neskratujte ani nerozoberajte.
- Nepokúšajte sa dobíjať alkalické, lítiové ani žiadne iné nedobíjateľné batérie.
- Nikdy nepoužívajte batériu s poškodeným vonkajším obalom.
- Batériu udržiavte mimo dosahu detí.
- Ak pri používaní tohto produktu spozorujete niečo neobvyčajné, ako napríklad neobvyklý zvuk, zahriatie, dym alebo zápach spáleniny:
  - 1 okamžite vyberte batériu, pričom si dávajte pozor, aby ste sa nepopálili a
  - 2 zavolať predajcovia alebo miestnemu zástupcovi spoločnosti Olympus so žiadosťou o servis.

## Technické parametre

#### Nahrávacie médium:

Vstavaná pamäť

#### Celkový frekvenčný rozsah:

**VN-6500PC, VN-5500PC:**

Režim HQ: 200 až 13 000 Hz

Režim SQ: 200 až 7 000 Hz

Režim LP: 200 až 3 000 Hz

**VN-3500PC:**

Režim HQ: 200 až 13 000 Hz

Režim SQ: 200 až 7 000 Hz

Režim LP: 200 až 3 000 Hz

#### Dĺžka nahrávania:

**VN-6500PC, VN-5500PC: 512 MB**

Režim HQ: Približne 35 hodín 20 minút

Režim SP: Približne 69 hodín 35 minút

Režim LP: Približne 221 hodín 30 minút

**VN-3500PC: 128 MB**

Režim HQ: Približne 8 hodín 40 minút

Režim SP: Približne 17 hodín 10 minút

Režim LP: Približne 54 hodín 40 minút



- Uvedená dĺžka nahrávania platí po vymazaní súboru s návodom z pamäte rekordéra.
- Ak chcete súbor s návodom vymazať, pripojte rekordér k počítaču a vymažte daný súbor alebo naformátujte pamäť rekordéra. Bližšie informácie nájdete v časti „**Formátovanie rekordéra [Format]**“.
- Skôr ako súbor s návodom vo formáte PDF vymažete, vytvorte si jeho kópiu na inom médiu.

#### **Mikrofón:**

Elektretový kondenzátorový mikrofón (monofónny)

#### **Reproduktor:**

Vstavaný kruhový dynamický reproduktor Ø 23 mm

#### **Maximálny výkon:**

250 mW

#### **Maximálny výkon slúchadiel:**

≤ 150 mV

(podľa normy EN 50332-2)

#### **Konektor na slúchadlá (monofónne):**

Priemer ø 3,5 mm, impedancia 8 Ω

#### **Konektor na mikrofón (monofónny):**

Priemer ø 3,5 mm, impedancia 2 kΩ

#### **Napájanie:**

Dve batérie veľkosti AAA (LR03) alebo dve nabíjateľné batérie Ni-MH

#### **Dĺžka nepretržitej prevádzky na batéri:**

Alkalické batérie:  
približne 37 hodín

Nabíjateľné batérie Ni-MH:  
približne 25 hodín

#### **Rozmery:**

102 mm (D) x 37 mm (Š) x 18,8 mm (H)  
(bez vyčnívajúcich častí)

#### **Hmotnosť:** 64,8 g (vrátane batérií)

- Hodnoty výdrže batérií sú namerané spoločnosťou Olympus. Tieto hodnoty sa podstatne líšia v závislosti od používaných batérií a podmienok používania.
- Nahrávky smiete používať len na súkromné účely a zábavu. Zákon na ochranu autorských práv je zakazuje nahrávať materiál chránený autorskými právami bez povolenia vlastníkov autorských práv.
- Dizajn a technické parametre sa môžu zmeniť bez predchádzajúceho upozornenia za účelom zlepšovania vlastností.

## **Príslušenstvo (voliteľné):**

#### **Nabíjačka dobíjateľných batérií**

**Ni-MH:** BU-400 (len pre Európu)

#### **Nabíjateľná batéria Ni-MH:**

BR401

#### **Prepojovací kábel (konektor**

**na slúchadlá ↔ konektor na**

**mikrofón):** KA333

#### **Mikrofónom s potláčaním hluku:**

ME52

#### **Elektretový kondenzátorový mikrofón:**

ME15

#### **Duálne monofónne slúchadlá:** E20

#### **Telefónny mikrofón:** TP7

#### **Šnúrka na krk:** ST26



Značka „CE“ znamená, že tento výrobok spĺňa požiadavky európskych noriem pre bezpečnosť a ochranu zrávania, životného prostredia a používateľov.



Tento symbol [prečiarknutá smetná nádoba na kolieskach podľa prílohy 4 smernice WEEE] upozorňuje na separovaný zber odpadu z elektrických a elektronických zariadení v krajinách EÚ.



Zariadenie nevyhadzujte do domáceho odpadu. Na likvidáciu výrobku použite vratné a zberné systémy dostupné vo vašej krajine.

Príslušný výrobok: VN-6500PC, VN-5500PC, VN-3500PC



Tento symbol [prečiarknutá smetná nádoba na kolieskach podľa prílohy II smernice 2006/66/EC] upozorňuje na opotrebovaných zber opotrebovaných batérií krajinách EÚ. Batérie

nevyhadzujte do domáceho odpadu. Na likvidáciu opotrebovaných batérií použite vratné a zberné systémy dostupné vo vašej krajine.

- Bu kılavuz basit sürümdür. kaydedicinin [OL\_MANUAL] klasöründeki kayıtlı veriden kılavuzun tam haline bakınız ya da OLYMPUS internet sitesinden veriyi indiriniz.
- Bu dokümanın içeriği önceden haber verilmeksizin değiştirilebilir. Ürün isimleri ve model numaraları hakkındaki en son bilgiler için Müşteri Destek Merkezimize temasa geçiniz.
- Bu dokümanın doğruluğunu sağlamak için büyük titizlik gösterilmiştir. Görülme ihtimali az da olsa bir şüpheli öge, hata veya eksiklik bulunduğunda lütfen Müşteri Destek Merkezimize temasa geçiniz.
- Ürün hatası sonucunda oluşan pasif hasarlar veya Olympus veya Olympus tarafından yetkilendirilmiş bir servis istasyonu haricindeki bir üçüncü şahıs tarafından yapılan onarım veya farklı diğer sebeplerden kaynaklanan veri kaybı sonucunda ortaya çıkabilecek herhangi bir hasar Olympus'un yükümlülükleri kapsamında değildir.

#### Ticari markalar veya tescilli ticari markalar:

- Microsoft, Windows ve Windows Media, Microsoft Corporation'ın tescilli ticari markalarıdır.
- Macintosh, Apple Inc.'in ticari markasıdır.



#### Güvenli ve Uygun Kullanım

Yeni kayıt cihazınızı kullanmadan önce, kayıt cihazınızı güvenli ve doğru bir biçimde nasıl kullanacağınızı öğrenmek için bu kılavuzu dikkatle okuyunuz. İleride başvurmak için bu kılavuzu kolayca erişebileceğiniz bir yerde saklayınız.

- Uyarı sembolleri, genellikle ilgili önemli bilgileri ifade eder. Kendinizi ve diğerlerini kişisel aralanmalardan veya maddi zararlardan korumak için uyarıları ve belirtilen bilgileri okumak her zaman zorunludur.

## Başlangıç Yapma

### Parçaların Açıklaması

- Dahili Mikrofon
  - MIC (Mikrofon) jakı
  - Açma/Kapatma (HOLD) düğmesi
  - USB terminali
  - STOP (■) düğmesi
  - PLAY/OK (▶) düğmesi
  - ◀◀ (Geri Sarma) düğmesi
  - Pil kapağı
  - Dosya (FOLDER/INDEX)
  - EAR (Kulaklık) jakı
  - Ekran (LCD paneli)
  - Kayıt/çal gösterge lambası
  - Kayıt (REC (●)) düğmesi
  - + düğmesi
  - ▶▶ (Hızlı İleri Sarma) düğmesi
  - düğmesi
  - DISP/MENU düğmesi
  - Silme ERASE (●) düğmesi
  - Kayıt deliği
- \* Kayıt cihazla birlikte verilmmez. İsteğe bağlı olarak temin edilen bir aksesuardır.

### Ekran (LCD paneli):

- Klasör göstergesi
  - 🔊 Mikrofon hassasiyeti göstergesi
  - 🔊 AlçakKesiş filtresi göstergesi\*
  - 🔊 Değişken Kontrollü Ses Aktivasyonu göstergesi
  - [HQ SP LP] Kayıt modu göstergesi
  - [▶] Hızlı kayıttan çalma göstergesi
  - [▶] Yavaş kayıttan çalma göstergesi
  - [C] Bölüm tekrar çalma göstergesi\*
  - Kılavuz göstergesi
  - Karakter bilgi ekranı
  - Kayıt seviye ölçer
  - 5 Pil göstergesi
  - 6 Silme kilidi göstergesi
  - 7 Geçerli dosya numarası
- \* Yalnızca VN-6500PC için.

### Pillerin Takılması (Şekil 1)

- Ok yönüne doğru hafifçe bastırınız ve pil kapağını kaydırarak açınız.
- İki adet-AAA boyutlu alkalın pilleri kutuplarının doğru olmasına dikkat ederek takınız.

### 3 Pil kapağını tamamen kapatınız.

- HOLD anahtarını ok yönüne ayarlandığında, [HOLD] mesajı görüntüledikten sonra ekran kapanır. Buna dikkat etmeden bir sonraki adıma geçiniz.

Kayıt cihazı için Olympus firmasından alınabilecek olan isteğe bağlı Ni-MH Şarj Edilebilir Pil (BR401) kullanılabilir.

### Pillerin Değiştirilmesi:

- Ekranla [☐] sembolü görüldüğü zaman pilleri mümkün olan en kısa zamanda değiştiriniz. AAA boyutlu alkalın piller önerilmektedir. Piller bittiğinde, ekranda [☐] sembolü görünür ve kayıt cihazı kapanır.
- Pili değiştirirken, değiştirme öncesinde HOLD anahtarını okun ters yönüne ayarladığınızdan emin olunuz.

### Güç Besleme (Şekil 2)

#### Cihazı açma:

HOLD anahtarını ok ile gösterilen yönün tersine kaydırınız.

#### Cihazı kapama:

Kayıt cihazı kullanılmada değilken HOLD anahtarını ok ile gösterilen yöne kaydırınız.

#### Bekleme Modu ve Ekranın Kapanması:

Kayıt cihazı, kayıt ya da çalma işlemi sırasında 5 dakika veya daha uzun süre durdurulursa bekleme (güç tasarrufu) moduna geçer ve ekran kapanır. Bekleme modundan çıkmak ve ekranı açmak için herhangi bir tuşa basınız.

### Saat ve Tarihin Ayarlanması

#### [Time & Date] (Şekil 3)

Pilleri ilk kez taktığınızda ya da her değiştirdiğinizde, «Month» gösterimi yanıp sönecektir. Böyle bir durumda, saati ve tarihi aşağıda açıklanan 4 ve 6 arasında adımları izleyerek ayarladığınızdan emin olunuz.

- Ana menüye gitmek için DISP/MENU düğmesini 1 saniye ya da daha uzun süre basılı tutunuz.
- Alt Menüye seçmek için ▶▶I veya I◀◀ düğmesine basınız [Sub Menu].

### 3 **PLAY/OK** (▶) düğmesine basınız.

- **[Time & Date]** yazısı ekranda görünür ve **[M<OK>P]** sembolü yanıp söner.

### 4 Ayarlanacak unsuru seçmek için ▶▶▶ ya da ◀◀◀ düğmesine basınız.

- Unsuru, yanıp sönen noktali «Month», «Day», «Year», «Hour» ve «Minute» seçenekleri arasında seçiniz.

### 5 Ayarlamak için + veya - düğmelerine basınız.

- Bir sonraki unsuru seçmek için ▶▶▶ ya da ◀◀◀ düğmelerine basarak aynı adimleri izleyiniz ve ayarlamak için + veya - düğmesine basınız.

### 6 Kurulum ekranını sonlandırmak için **PLAY/OK** (▶) düğmesine basınız.

- Saat, ayarlanmış olan tarih ve saatten başlayacaktır.
- Saat ayarına göre **PLAY/OK** (▶) düğmesine basınız.

### 7 Menü modunu kapatmak için **STOP** (■) düğmesine basınız.

#### Klasörlerle ilgili Bilgiler (Şekil 4)

Kayıt cihazı beş klasör bulundurmaktadır, [D], [E], [F], [G] ve [H]. Klasör seçimini değiştirmek için kayıt cihazı durdurulduğu sırada **FOLDER/INDEX** düğmesine basınız. Her bir klasörün içine toplam 200 dosya kaydedilebilir.

- ① Geçerli klasör

### Kayıt (Şekil 5)

#### 1 İstenilen klasörü seçmek için **FOLDER/INDEX** düğmesine basınız.

#### 2 Kayıt işlemini başlatmak için **REC** (●) düğmesine basınız.

- Kaydet/çal gösterge lambası kırmızı yanar ve kayıt başlar.

#### 3 Kayıt işlemini durdurmak için **STOP** (■) düğmesine basınız.

- Yeni kayıtlar, klasörden en dosya olarak kaydedilir.

- ① Geçerli klasör
- ② Geçerli kayıt modu
- ③ Geçerli dosya numarası
- ④ Kayıt süresi
- ⑤ Kalan kayıt süresi
- ⑥ Kayıt seviye ölçer

### Kayıttan Çalma (Şekil 6)

#### 1 İstenilen klasörü seçmek için **FOLDER/INDEX** düğmesine basınız.

#### 2 Kayıttan çalınacak dosyayı seçmek için ▶▶▶ ya da ◀◀◀ düğmesine basınız.

#### 3 Kayıt'tan çalmayı başlatmak için **PLAY/OK** (▶) düğmesine basınız.

- Kaydet/çal gösterge lambası yeşil olarak yanar ve geçen çalma süresi ekranda gösterilir.

#### 4 Uygun ses seviyesini seçmek için + veya - düğmesine basınız.

- Ekran ses seviyesini gösterir. [00] ile [30] değerleri arasında seçebilirsiniz.

- ① Geçerli dosya numarası
- ② Çalma süresi

#### Durdurmak için: (Şekil 7)

#### **STOP** (■) düğmesine basınız.

- Kayıt cihazı, çalınmakta olan dosyanın ortasında durur.

### Sil

#### Tek Seferde Tek Dosya Silinmesi (Şekil 8)

#### 1 Klasörü seçmek için **FOLDER/INDEX** düğmesine basınız.

#### 2 Silinecek dosyayı seçmek için ▶▶▶ ya da ◀◀◀ düğmesine basınız.

- ① Silinecek dosya

#### 3 **ERASE** (●) düğmesine basınız.

#### 4 **[Start]** ögesini seçmek için ▶▶▶ düğmesine basınız.

#### 5 **PLAY/OK** (▶) düğmesine basınız.

#### Bir Klasörden Tüm Dosyaları Silme (Şekil 9)

#### 1 Silinecek klasörü seçmek için **FOLDER/INDEX** düğmesine basınız.

- ① Silinecek klasör

#### 2 **ERASE** (●) düğmesine iki kez basınız.

#### 3 **[Start]** ögesini seçmek için ▶▶▶ düğmesine basınız.

#### 4 **PLAY/OK** (▶) düğmesine basınız.

#### Notlar:

- Silinen bir dosya geri yüklenemez.
- Kilidi silmek için ayarlanan dosya silinmeyecektir.

- Silme işleminin tamamlanması birkaç saniye sürebilir. Silme işleminde pili çıkarmanızın, değiştirmenizin ya da ses kayıt cihazındaki diğer fonksiyonları çalıştırmayızın çünkü veriler bozulabilir.

### Diğer Fonksiyonlar

#### PC'Nize Bağlantı Yapılması (Şekil 10)

Bu üniteyi bir kayıt cihazı olarak kullanmanın yanında bir depolama aygıtı gibi bilgisayarınız için harici bellek şeklinde kullanabilirsiniz.

- Bu kayıt cihazı tarafından kaydedilen ses dosyaları bilgisayarınızda Windows Media Player kullanılarak çalınabilir. Ayrıca Windows Media Player ile yüklediğiniz WMA dosyalarını da kayıt cihazınıza aktarabilir ve bunlardan yararlanabilirsiniz (telif hakkı koruması olan dosyalar hariçinde)

#### 1 Kayıt cihazının USB terminalini bir PC USB portuna ya da USB göbeğine takınız.

- **[Remote]** ögesi görüntülediği zaman, verileri kaydedebilir ya da okuyabilirsiniz.

#### 2 Ses dosyalarını bilgisayarınıza aktarınız.

- Kayıt cihazını bilgisayarınıza bağlayınız ve Explorer programını başlatınız.
- Kayıt cihazı, çıkartılabilir disk olarak tanınacaktır.
- Beş klasörün her biri DSS\_FLDA, B, C, D ve E olarak adlandırılır. Ses dosyaları bu klasörlere kaydedilir.
- Bu kayıt cihazı tarafından kaydedilen ses dosyaları WMA formatında olacaktır.

- örn.:  
VN-6500PC:VN\_650001.WMA  
VN-5500PC:VN\_550001.WMA  
VN-3500PC:VN\_350001.WMA
- Windows 2000 kullanıyorsanız, PC'nizde Media Player kurulu olmalıdır.

#### 3 Ekranın sağ alt köşesinde bulunan **görev çubuğundaki** [■] **ögesine tıklayınız. [Donanım Güvenle Kaldır] ögesine tıklayınız.**

- ① USB terminali
- ② Verilerin alınması
- ③ Verilerin alınması

## Kayıt cihazının PC'nizde kullanılması

Windows	<b>İşletim Sistemi:</b> Microsoft Windows 2000 / XP / Vista (Standart Kurulum)
	<b>Uyumlu PC'ler:</b> Birden fazla boş USB portu bulunan Windows işletim sistemli PC'ler
Macintosh	<b>İşletim Sistemi:</b> Mac OS X 10.2.8 ~ 10.5 (Standart Kurulum)
	<b>Uyumlu PC'ler:</b> Birden fazla boş USB bağlantı noktalı Apple Macintosh serisi

PC'niz Windows 95 ya da 98 sürümünden Windows 2000/XP/Vista sürümüne güncellenmiş destek servisinden yararlanamayacaktır. Toplama (modifiye) bir bilgisayarda yaşanacak herhangi bir arıza kullanım garantisine itine alınmayacaktır.

### Notlar:

- Kaydet/çal gösterge lambası kırmızı renkte yanıp sönerken USB'yi ASLA çıkartmayınız. Çıkartarsanız, veriler zarar görülebilir.
- PC'nizdeki USB portu ya da USB göbeği ile ilgili bilgi için PC'nizin kullanım kılavuzuna bakınız.
- Gürültü, kayıt cihazı yakınındaki elektronik cihazlar üzerinde ters etkiler oluşturabileceğinden kayıt cihazını PC'ye bağlarken kulaklığı çıkartınız.

## Genel Önlemler

Cihazı güvenli ve doğru bir şekilde nasıl kullanacağınızı bildiğinizden emin olmak için bu kılavuzu dikkatlice okuyunuz. İleride başvurmak için bu kılavuzu kolayca erişebileceğiniz bir yerde saklayınız.

- Uyarı sembolleri, güvenlikle ilgili önemli bilgileri ifade eder. Kendinizi ve diğerlerini kişisel yararlanmalardan veya maddi zararlardan korumak için uyarıları ve belirtilen bilgileri okumak her zaman zorunludur.

## Veri kaybı ile ilgili uyarı:

- Belleğe kaydedilmiş içerik çalıştırma hatasından veya cihazın hatalı çalışmasından dolayı veya onarım işlemleri esnasında yok olabilir veya silinebilir.
- Kaydedilen önemli bir içerik için, bunu bir yere yazmanızı ya da bir PC'ye yükleyerek yedekleme yapmanızı öneriyoruz.
- Ürün kusuru sonucunda oluşan pasif hasarlar veya Olympus veya Olympus tarafından yetkilendirilmiş bir servis istasyonu haricindeki bir üçüncü şahıs tarafından yapılan onarım veya farklı diğer sebeplerden kaynaklanan veri kaybı sonucunda ortaya çıkabilecek herhangi bir hasar Olympus'un yükümlülükleri kapsamına girmez.

## Güvenli ve doğru Kullanım için

- Kulaklığınızı, yalnızca ses seviyesini yeterince düşürdükten sonra kullanınız aksi takdirde işitme bozuklukları ve/veya işitme kaybı oluşabilir.
- İşitme bozuklukları ve/veya işitme kaybı oluşabileceği için kulaklığınızı yüksek ses seviyesinde uzun süre kullanmayınız.
- Pilleri değiştirmeden önce kayıt cihazını kapattığınızdan emin olunuz. Kayıt cihazı çalışırken pillerin çıkartılması dosyaya hasar verebilir.
- Kayıt cihazını, direk güneş ışığına maruz kalan kapalı otomobil veya yaz aylarında deniz kenarı, sahil gibi sıcak ve nemli yerlerde bırakmayınız.
- Kayıt cihazını aşırı nemli veya tozlu ortamlara maruz kalan yerlerde saklamayınız.
- Cihazı temizlemek için alkol ve tiner gibi organik çözücüler kullanmayınız.
- Kayıt cihazını TV veya buzdolabı gibi elektrikli cihazların yanına ya da üstlerine koymayınız.
- Parazit ve gürültüye sebep olabileceğinden cep telefonu ya da kablosuz cihazların yanında kayıt yapmaktan ya da cihazı çalıştırmaktan kaçınınız. Herhangi bir gürültü oluşması durumunda başka bir yere geçiniz veya kayıt cihazını bu tarz bir cihazdan uzağa yerleştiriniz.
- Kum ve kirden uzak tutunuz. Bunlar onarımı mümkün olmayan hasarlara yol açabilir.

- Güçlü titreşimlerden veya darbelerden uzak tutunuz.
- Cihazı kendi başınıza parçalarına ayırmayınız, tamir veya modifiye etmeyiniz.
- Bir taşıt (bisiklet, motosiklet ya da bebek arabası gibi) kullanırken cihazı çalıştırmayınız.
- Cihazı çocukların ulaşabileceği yerlere koymayınız.

## Pil

### ⚠️ Uyarı:

- Hiç bir şekilde pil bölmesine ana üniteden başka herhangi bir parça koymayınız. Bu pil sistisine, aşırı ısınmasıya, yangına ya da patlamaya neden olabilir.
- Pil hiçbir zaman ateşe maruz bırakılmamalı, ısıtılmamalı, kısa devre yaptırılmamalı veya parçalarına ayrılmamalıdır.
- Alkalın, litium ya da diğer şarj edilemeyen pilleri şarj etmeye çalışmayınız.
- Dış cephesi yırtılmış ya da çatlamış pilleri hiçbir zaman kullanmayınız.
- Pili çocukların ulaşabileceği yerlere koymayınız.
- Bu cihazı kullanırken anormal bir gürültü, ısı, duman veya yanık kokusu gibi herhangi normal olmayan bir durum fark ederseniz:
  - ① kendinizi yakmamaya dikkat ederek derhal pili çıkartınız ve;
  - ② satıcınıza veya yerel Olympus temsilcinize servis için irtibata geçiniz.

## Özellikler

### Kaydetme ortamı:

Dahili flash bellek

### Genel frekans:

**VN-6500PC, VN-5500PC:**

HQ modu: 200 ile 13.000 Hz arasında

SQ modu: 200 ile 7.000 Hz arasında

LP modu: 200 ile 3.000 Hz arasında

**VN-3500PC:**

HQ modu: 200 ile 13.000 Hz arasında

SQ modu: 200 ile 7.000 Hz arasında

LP modu: 200 ile 3.000 Hz arasında

### Kayıt süresi:

**VN-6500PC, VN-5500PC: 512 MB**

HQ modu: Yaklaşık 35 saat 20

dakika

SP modu: Yaklaşık 69 saat 35

dakika

LP modu: Yaklaşık 221 saat 30 dakika

#### **VN-3500PC: 128 MB**

HQ modu: Yaklaşık 8 saat 40 dakika

SP modu: Yaklaşık 17 saat 10 dakika

LP modu: Yaklaşık 54 saat 40 dakika

• Yukarıda verilen kayıt süreleri kayıt cihazında saklanan manüel verilerin silinmesinden sonraki sürelerdir.

• Manüel veriler bir bilgisayara bağlanarak ya da kayıt cihazı formatlanarak silinebilir. Ayrıntılar için, «**Kayıt Cihazının Formatlanması [Format]**» bölümüne bakınız.

• Verileri silmeden önce, kılavuz PDF verilerinin bir yedekleme dosyasını yapınız.

#### **Mikrofon:**

Elektrostatik (Electret) Kondansatör Mikrofon (mono)

#### **Hoparlör:**

Dahili ø 23 mm. yuvarlak dinamik hoparlör

#### **Maksimum güç:**

250 mW

#### **Azami kulaklık çıkışı:**

≤ 150 mW

(EN 50332-2 uyarınca)

#### **Kulaklık jakı (mono):**

ø 3,5 mm. çap, empedans 8 Ω

#### **Mikrofon jakı (mono):**

ø 3,5 mm. çap, empedans 2 kΩ

#### **Güç kaynağı:**

İki AAA (LR03) pil ya da İki Ni-MH şarj edilebilir pil

#### **Kesintisiz pil:**

Alkaline piller:

Yaklaşık 37 saat

Ni-MH şarj edilebilir piller:

Yaklaşık 25 saat

#### **Boyutları:**

102 (U) mm. x 37 (G) mm. x 18,8 (K) mm. (çıkıntılar hariç)

#### **Ağırlık:** 64,8 g. (pil dahil)

• Pil ömrü Olympus tarafından ölçülür. Kullanılan pil tiplerine ve kaydetme koşullarına bağlı olarak büyük değişiklikler görülür.

• Kayıtlı içerikleriniz yalnızca kişisel kullanımınız ve memnuniyetiniz içindir. Telifli malzemenin telif yasasına göre telif sahibinin iznini almadan kaydedilmesi yasaktır.

• Performans gelişimi için özelliklerde ve tasarımlarda önceden bilgi verilmeksizin değişiklik yapılabilir.

## **Aksesuarlar (İsteğe bağlı)**

#### **Ni-MH Şarj Edilebilir Pil Şarj Cihazı:**

BU-400 (Yalnızca Avrupa)

#### **Ni-MH Şarj Edilebilir Pil:**

BR401

#### **Bağlantı kablosu (Kulaklık jakı ↔**

**Mikrofon jakı):** KA333

#### **Gürültü Engelleme mikrofon:**

ME52

#### **Elektrostatik (Electret) kondansatör**

**mikrofon:** ME15

**Dual mono kulaklık:** E20

**Telefon mikrofonu:** TP7

**Boyun Askısı:** ST26



«CE» işareti bu ürünün Avrupa güvenlik, sağlık, çevre ve müşteri koruma gerekliliklerine uygun olduğunu gösterir.



Bu sembol [Çarpı işaretli tekerlekli çöp kutusu WEEE Annex IV] AB ülkelerindeki elektrikli ve elektronik cihazların ayrı şekilde toplandığını gösterir.

Lütfen cihazı evsel atıklar içinde elden çıkarmayın. Bu ürünü elden çıkartmak için ülkenizde mevcut olan iade ve toplama sistemlerini kullanınız.

Uygulanabilir Ürün: VN-6500PC, VN-5500PC, VN-3500PC



Bu sembol [çarpı işaretli tekerlekli çöp kutusu 2006/66/EC Annex II Direktifi], AB ülkelerinde atık pillerin toplanmasını ayrı şekilde yapıldığını belirtir. Lütfen pilleri evsel atıklar içinde elden çıkartmayınız. Pillerin elden çıkartılmasıyla ilgili olarak ülkenizde mevcut olan iade ve toplama sistemlerini kullanınız.

- Ця версія посібника є базовою. Див. повний розширений посібник у збережених даних у папці [OL\_MANUAL] записувального пристрою або завантажте дані з веб-сайта компанії OLYMPUS.
- Вміст цього документа може бути змінено в майбутньому без попереднього сповіщення. Щоб отримати останню інформацію про назви виробів і номери моделей, зверніться до нашого центру підтримки користувачів.
- Було приділено особливу увагу для забезпечення цілісності вмісту цього документа. Але в разі виявлення сумнівних місць, помилок або недоліків зверніться до центру підтримки користувачів.
- Компанія не несе відповідальності за пасивні пошкодження або жодні пошкодження через втрату даних, спричинену дефектом виробу, ремонтом, виконанням третьою стороною, а не компанією Olympus або авторизованим сервісним центром Olympus, чи зліквідовані іншими причинами.

**Товарні знаки та зареєстровані товарні знаки:**

- Microsoft, Windows і Windows Media є зареєстрованими товарними знаками корпорації Microsoft Corporation.
- Macintosh є товарним знаком компанії Apple Inc.



**Заходи безпеки та належне використання**

- Перед використанням нового диктофона уважно прочитайте цей посібник, щоб пересвідчитися, що знаєте, як безпечно та правильно користуватися пристроєм. Зверігайте цей посібник у доступному місці для подальшого використання.
- Попереджувальні символи позначають важливу інформацію щодо безпеки. Щоб захистити себе й інших від травмування або запобігти пошкодженню майна, слід завжди читати застереження та надану інформацію.

**Початок роботи**

**Позначення частин**

- 1 Вбудований мікрофон
- 2 Роз'єм MIC (Мікрофон)
- 3 Перемикач HOLD
- 4 Роз'єм USB
- 5 Кнопка STOP (■)
- 6 Кнопка PLAY/OK (▶)
- 7 Кнопка ◀◀ (Перемотування назад)
- 8 Кришка елементів живлення
- 9 Кнопка FOLDER/INDEX
- 10 Роз'єм EAR (Навушник)
- 11 Дисплей (PK-панель)
- 12 Світловий індикатор записування/відтворення
- 13 Кнопка REC (●)
- 14 Кнопка +
- 15 Кнопка ▶▶ (перемотування вперед)
- 16 Кнопка -
- 17 Кнопка DISP/MENU
- 18 Кнопка ERASE (●)
- 19 Отвір для ремінця

- Ремінець не входить до комплекту. Скористайтеся додатковим аксесуаром.

**Дисплей (PK-панель):**

- 1 Індикатор папки
- 2 Індикатор чутливості мікрофона
- Індикатор високочастотного фільтра\*
- Індикатор функції активації голосом
- Індикатор режиму записування
- Індикатор швидкого відтворення
- Індикатор повільного відтворення
- Індикатор багаторазового відтворення сегмента\*

- 3 Індикатор покажчика
- 4 Символьний інформаційний дисплей Показник рівня записування
- 5 Індикатор елемента живлення
- 6 Індикатор блокування від стирання
- 7 Номер поточного файла

\* Лише для моделі VN-6500PC.

**Вставлення елементів живлення (фiр. 1)**

- 1 Злегка натисніть на стрілку та посуньте кришку елементів живлення, щоб відкрити її.
- 2 Вставте два лужні елементи живлення типу AAA, дотримуючись правильної полярності.
- 3 Повністю закрийте кришку елементів живлення.
  - Якщо перемикач HOLD переміщений у напрямку стрілки, після відображення повідомлення [HOLD] дисплей вимикається. Перейдіть до виконання наступного кроку, не зважаючи на це.

У диктофоні можна використовувати додатковий нікель-металогібридний акумулятор (BR401) виробництва Olympus.

**Заміна елементів живлення:**

- Якщо на дисплеї відображається символ , який швидше замінить елементи живлення. Рекомендовано використовувати лужні елементи живлення типу AAA. Якщо заряд елементів живлення вичерпано, на дисплеї відображається символ , а диктофон вимикається.
- Перш ніж замінювати елементи живлення, переконайтеся, що перемикач HOLD переміщений у протилежному напрямку до стрілки.

**Джерело живлення (фiр. 2)**

**Увімкнення живлення:**

Посуňte перемикач HOLD у напрямку, протилежному до вказаного стрілкою.

**Вимкнення живлення:**

Посуňte перемикач HOLD у напрямку, вказаному стрілкою.

**Режим очікування та вимкнення дисплея:**

Якщо під час записування або відтворення зупинити диктофон на 5 або більше хвилин, він перейде у режим очікування (збереження енергії), а дисплей вимкнеться. Щоб вийти з режиму очікування та увімкнути дисплей, натисніть будь-яку кнопку.

## Встановлення часу та дати [Time & Date] (фір. 3)

Під час першого вставляння елементів живлення та кожного разу під час їх заміни блиматиме індикація «Month». У такому разі обов'язково встановіть дату та час, визнавши кроки 4–6, як це описано нижче.

1 Натисніть та утримуйте кнопку **DISP/MENU** протягом 1 секунди або довше, щоб увійти в головне меню.

2 Натисніть кнопку **▶▶|або|◀◀**, щоб вибрати [Sub Menu].

3 Натисніть кнопку **PLAY/OK (▶)**.  
• На дисплеї відобразиться [Time & Date], а [◀00▶] почне блимати.

4 Натисайте кнопку **▶▶|або|◀◀**, щоб вибрати значення, яке потрібно встановити.

- Виберіть значення для пунктів «Month», «Day», «Year», «Hour» та «Minute», коли вони блимають.

5 Для встановлення натисніть кнопку **+ або -**.

- Повторіть ці кроки, натискаючи кнопку **▶▶|або|◀◀**, щоб вибрати наступний пункт, та натисніть кнопку **+ або -**, щоб підтвердити вибір.

6 Натисніть кнопку **PLAY/OK (▶)**, щоб вибрати з екрана встановлення.

- Годинник почне відлік від встановленої дати та часу.
- Натисніть кнопку **PLAY/OK (▶)** згідно з часовим сигналом.

7 Натисніть кнопку **STOP (■)**, щоб вибрати з режиму меню.

### Примітки щодо папок (фір. 4)

У диктофоні передбачено п'ять папок: [A], [B], [C], [D] та [E]. Щоб змінити вибір папки, натисніть кнопку **FOLDER/INDEX**, коли диктофон зупинено. У кожну папку можна записати щонайбільше 200 файлів.

① Поточна папка

## Записування (фір. 5)

1 Натисніть кнопку **FOLDER/INDEX**, щоб вибрати потрібну папку.

2 Натисніть кнопку **REC (●)**, щоб розпочати записування.

- Індикатор записування/відтворення почне світитися червоним, після чого розпочнеться записування.

3 Натисніть кнопку **STOP (■)**, щоб припинити записування.

- Нові записи буде збережено як останній файл у папці.

- ① Поточна папка
- ② Поточний режим записування
- ③ Номер поточного файлу
- ④ Тривалість записування
- ⑤ Час запису, що залишився
- ⑥ Показник рівня запису

## Відтворення (фір. 6)

1 Натисніть кнопку **FOLDER/INDEX**, щоб вибрати потрібну папку.

2 Натискаючи кнопки **▶▶|або|◀◀**, виберіть файл для відтворення.

3 Натисніть кнопку **PLAY/OK (▶)**, щоб розпочати відтворення.

- Індикатор записування/відтворення засвітиться зеленим, а на дисплеї відобразиться час відтворення, що залишився.

4 За допомогою кнопок **+ або -** виберіть потрібний рівень гучності.

- На дисплеї відобразиться рівень гучності. Можна вибрати значення від [00] до [30].

- ① Номер поточного файлу
- ② Тривалість відтворення

### Зупинка: (фір. 7)

Натисніть кнопку **STOP (■)**

- Диктофон припинить відтворювати файл.

## Стирання

### Стирання одного файлу за раз (фір. 8)

1 Натисніть кнопку **FOLDER/INDEX**, щоб вибрати папку.

2 Натискаючи кнопки **▶▶|або|◀◀**, виберіть файл, який потрібно стерти.

① Файл, який потрібно стерти

3 Натисніть кнопку **ERASE (●)**.

4 Натисніть кнопку **▶▶|або|▶▶|**, щоб вибрати [Start].

5 Натисніть кнопку **PLAY/OK (▶)**.

### Стирання всіх файлів із папки (фір. 9)

1 Натисніть кнопку **FOLDER/INDEX**, щоб вибрати папку, яку потрібно стерти.

① Папка, яку потрібно стерти

2 Двічі натисніть кнопку **ERASE (●)**.

3 Натисніть кнопку **▶▶|або|▶▶|**, щоб вибрати [Start].

4 Натисніть кнопку **PLAY/OK (▶)**.

### Примітки:

- Стертий файл не можна відновити.
- Файл, заблокований від стирання, не буде стертий.
- Завершення стирання може зайняти кілька секунд. Не намагайтеся вийняти або замінити елементи живлення чи скористатися жодними іншими функціями диктофона у цей час, оскільки це може призвести до пошкодження даних.

## Інші функції

### Підключення до ПК (фір. 10)

Окрім використання пристрою як диктофона, його можна використовувати як зовнішню пам'ять для комп'ютера (як накопичувач).

- Звукові файли, записані за допомогою цього диктофона, можна відтворити на комп'ютері, використовуючи програму Windows Media Player. Можна також передати файли формату WMA, завантажені за допомогою програми Windows Media Player, на диктофон та прослуховувати їх (файли, захищені авторським правом, не підтримуються).

1 Підключіть роз'єм USB диктофона до порту USB на ПК за допомогою концентратора USB.

- Після відображення повідомлення [Remote] можна зберігати або зчитувати дані.

2 Передайте звукові файли на комп'ютер.

- Підключіть диктофон до комп'ютера та відкрийте провідник.

- Диктофон розпізнається як знімний диск.
- П'ять папок диктофону називаються таким чином: DSS\_FLDA, B, C, D та E. Звукові файли зберігаються в цих папках.
- Всі звукові файли, записані за допомогою цього диктофону, будуть у форматі WMA.

наприклад:  
 VN-6500PC: VN\_650001.WMA  
 VN-5500PC: VN\_550001.WMA  
 VN-3500PC: VN\_350001.WMA

- Якщо використовується операційна система Windows 2000, на ПК повинна бути встановлена програма Windows Media Player.

### 3 Клацніть на панелі завдань, розташованій у правому нижньому куті екрана. Клацніть [Безпечне видалення устаткування].

- 1 Роз'єм USB
- 2 Надсилання даних
- 3 Отримання даних

### Використання диктофона із ПК

Windows	<b>Операційна система:</b> Microsoft Windows 2000/XP/Vista (стандартна інсталяція)
	<b>Сумісні ПК:</b> ПК Windows, обладнані кількома вільними портами USB
Macintosh	<b>Операційна система:</b> Mac OS X 10.2.8 ~ 10.5 (стандартна інсталяція)
	<b>Сумісні ПК:</b> ПК серії Apple Macintosh, обладнані кількома вільними портами USB

Гарантійний ремонт виконуватиметься, якщо ПК був оновлений з операційної системи Windows 95 або 98 до Windows 2000/XP/Vista. Гарантія не поширюється на жодні пошкодження, викликані через використання власноруч модифікованого ПК.

#### Примітки:

- НІКОЛИ не від'єднуйте USB-кабель, доки індикатор записування/відтворення блимає червоним. Якщо зробити це, дані можуть бути знищені.

- Зверніться до посібника користувача свого комп'ютера щодо роботи його порту USB або концентратора USB.
- Оскільки шум може спричинити шкідливі ефекти в електронних пристроях, розташованих поряд із диктофоном, відключайте навушник під час підключення диктофона до комп'ютера.

## Загальні застереження

Уважно прочитайте цей посібник, щоб пересвідчитися, що знаєте, як безпечно та правильно користуватися пристроєм. Зберігайте цей посібник у доступному місці для подальшого використання.

- Попереджувальні символи позначають важливу інформацію щодо безпеки. Щоб захистити себе й інших від травмування або запобігти пошкодженню майна, слід завжди читати застереження та надану інформацію.

#### Застереження щодо втрати даних:

- Записаний вміст у пам'яті може пошкодитися або бути стертим через помилки використання, несправність пристрою чи внаслідок ремонту.
- Важливий вміст рекомендується записувати на окремі носії або створити його резервну копію, переніси його на ПК.
- Компанія Olympus не несе відповідальності за пасивні пошкодження або пошкодження будь-якого виду через втрату даних, завдану дефектом продукту, ремонт третьою стороною, а не компанією Olympus або авторизованим сервісним центром Olympus, чи через інші причини.

## Безпечне та правильне використання

- Аби уникнути погіршення та/або послаблення слуху, перед використанням навушників обов'язково зменшуйте гучність звуку.
- Аби уникнути погіршення та/або послаблення слуху, невикористовуйте навушники на високій гучності протягом тривалого часу.
- Обов'язково зупиняйте диктофон перед заміною елементів живлення. Витягання елементів живлення під час використання диктофона може пошкодити файл.

- Не залишайте диктофону спекотних промених місяць, наприклад під прямим сонячним промінням всередині зачиненого автомобіля чи на пляжі влітку.
- Не зберігайте диктофон у надто вологих або запилених місцях.
- Для чищення пристрою не використовуйте органічні розчинники, наприклад спирт або розріджувач лаку.
- Не кладіть диктофон на електричні пристрої, такі як телевізор або холодильник, чи поруч з ними.
- Уникайте записування або відтворення поряд зі стільниковими телефонами чи іншим безпроводним обладнанням, яке може спричинити перешкоди чи шум. Якщо чути шум, перейдіть в інше місце чи розташуйте диктофон подалі від такого обладнання.
- Уникайте попадання бруду або піску. Вони можуть нанести непоправну шкоду.
- Уникайте сильних вібрацій або струсів.
- Не розбирайте, не ремонтуйте та не змінюйте пристрій самостійно.
- Не користуйтеся пристроєм під час керування транспортом (наприклад велосипедом, мотоциклом або дитячою коляскою).
- Зберігайте пристрій у місцях, недоступних для дітей.

### Елементи живлення

#### Попередження:

- У жодному випадку не вставляйте жодних інших частин, крім основного блоку, у відсік для елементів живлення. Це може спричинити течі елементів живлення, призвести до перегріву, пожежі або вибуху.
- Не розбирайте елементи живлення та обертайте їх від нагрівання, вогню чи короткого замикання.
- Не намагайтеся перезаряджати лужні, літєві чи будь-які інші неперезаряджувані елементи живлення.
- У жодному разі не використовуйте елементи живлення з розірваним або пошкодженим зовнішнім покриттям.
- Зберігайте елементи живлення в місцях, недоступних для дітей.
- Якщо під час використання з'явиться виробу помічено щось незвичайне, наприклад незвичиний шум, нагрівання, дим або запах диму:



- ① негайно витягніть елементи живлення, але обережно, щоб не обпектися, та;
- ② зверніться до дилера чи місцевого представника компанії Olympus щодо технічного обслуговування.

## **Технічні характеристики**

### **Носії запису:**

вбудована флеш-пам'ять.

### **Повна частота характеристики:**

**VN-6500PC, VN-5500PC:**

Режим HQ: від 200 до 13 000 Гц

Режим SQ: від 200 до 7 000 Гц

Режим LP: від 200 до 3 000 Гц

**VN-3500PC:**

Режим HQ: від 200 до 13 000 Гц

Режим SQ: від 200 до 7 000 Гц

Режим LP: від 200 до 3 000 Гц

### **Тривалість записування:**

**VN-6500PC, VN-5500PC: 512 МБ**

Режим HQ: прибіл. 35 годин і 20 хвилин

Режим SP: прибіл. 69 годин і 35 хвилин

Режим LP: прибіл. 221 годин і 30 хвилин

**VN-3500PC: 128 МБ**

Режим HQ: прибіл. 8 годин і 40 хвилин

Режим SP: прибіл. 17 годин і 10 хвилин

Режим LP: прибіл. 54 годин і 40 хвилин

- Зазначена вище тривалість записування позначає час, який доступний після видалення даних посібника, що зберігаються в диктофоні.
- Дані посібника можна видалити, підключивши диктофон до комп'ютера або відформатувавши його. Для отримання докладнішої інформації див. розділ «Форматування диктофона [Format]».
- Перш ніж видалити дані, створіть резервну копію файла даних посібника, який зберігається у форматі PDF.

### **Мікрофон:**

електретний конденсаторний мікрофон (монофонічний)

### **Динамік:**

вбудований електродинамічний динамік діаметром  $\varnothing$  23 мм

### **Максимальна потужність:**

250 мВт

### **Максимальна вихідна потужність навушників:**

≤ 150 мВ

(відповідно до EN 50332-2)

**Роз'єм навушника (монофонічний):**

діаметр  $\varnothing$  3,5 мм, повний опір 8 Ом

**Роз'єм мікрофона (монофонічний):**

діаметр  $\varnothing$  3,5 мм, повний опір 2 кОм

### **Джерело живлення:**

два елементи живлення типу AAA (LR03) або два нікель-металогідридні акумулятори

### **Тривалість роботи від елементів живлення:**

Лужні елементи живлення:

прибіл. 37 годин

Нікель-металогідридні акумулятори:

прибіл. 25 годин

### **Габарити:**

102 (Д) мм x 37 (Ш) мм x 18,8 (Г) мм (без виступів)

### **Вага:**

64,8 г (включно з елементами живлення)

- Час роботи від елементів живлення виірний компанією Olympus. Це значення може суттєво змінюватися залежно від типу використовуваних елементів живлення та умов використання.
- Записаний вміст призначений лише для власного використання та задоволення. Відповідно до закону про авторські права забороняється записувати матеріали, захищені авторським правом, без дозволу власників авторських прав.
- Технічні характеристики та дизайн можуть бути змінені без попередження для покращення роботи пристрою.

## **Акcesуари (не входять до комплекту)**

**Зарядний пристрій для нікель-металогідридних акумуляторів:** BU-400 (лише для країн Європи)

**Нікель-металогідридний акумулятор:**

BR401

**З'єднувальний шнур (Роз'єм навушника ↔ Роз'єм мікрофона):** KA333

**Мікрофон з усуненням шуму:** ME52

**Електретний конденсаторний мікрофон:** ME15

**Подвійний монофонічний навушник:** E20

**Телефонний мікрофон:** TP7

**Нашийний ремінець:** ST26



Знак «CE» означає, що цей виріб відповідає вимогам Європейського союзу щодо безпеки, охорони здоров'я, захисту довкілля і прав споживача.



Цей символ [перекреслений кошик на колючатах WEEE Annex IV] позначає окремий збір сміття для електричного й електронного обладнання в країнах Європейського союзу.

Не викидайте обладнання разом із хатнім сміттям. Для утилізації цього виробу користуйтеся доступними у вашій країні системами повторного використання та збору сміття. Виріб, який застосовується: VN-6500PC, VN-5500PC, VN-3500PC



Цей символ [перекреслений кошик на колючатах Directive 2006/66/EC, додаток II] позначає необхідність окремого збору використаних елементів

живлення в країнах Європейського союзу. Не викидайте елементи живлення разом із хатнім сміттям. Для утилізації використаних елементів живлення користуйтеся системами повторного використання і збору сміття, доступними у вашій країні.



## OLYMPUS UK LTD

Vision House 19 Colonial Way Watford Herts WD24 4JL  
Phone (switchboard): +44 (0) 1923 831000  
<http://www.olympus.com>

## REP. OFFICE OLYMPUS C&S

blvd. Bulgaria 88, entr. 2, fl. 1, ap. 3, 1404 Sofi a, Bulgaria  
Tel./Fax: + 359 2 854 84 14, <http://www.olympus.bg>

## OLYMPUS C&S, SPOL. S.R.O.

Evropská 176, 160 41 Praha 6,  
Tel.: +420 800 167 777

## OLYMPUS IMAGING EUROPA GMBH

Wendenstr. 14-18, D-20097 Hamburg,  
Tel.: (040) 237730

Versandadresse Reparaturen:

Olympus Deutschland GmbH  
Bredowstrasse 20, 22113 Hamburg,  
Tel.: (040) 23773 4121

## OLYMPUS DANMARK A/S

Tempovej 48 - 50, 2750 Ballerup, Tfl.: 44 73 47 00

## OLYMPUS ESTONIA OÜ

Järvevana tee 9, 11314 Tallinn, Tel.: +372 65 49 541

## OLYMPUS OPTICAL ESPANA S.A.

Caidos de la Division Azul, 12  
28016-Madrid, Tel.: +34 902 444 104

## OLYMPUS FINLAND OY

Äyritie 12 B, 01510 VANTAA, Puh. (09) 875 810

## OLYMPUS FRANCE CENTRE TECHNIQUE

Parc d'Affaires Silic, 55, rue de Monthléry  
94533 Rungis Cedex Service clients  
tél.: 0810 223 223

E-mail: [serviceclient.gp@olympus.fr](mailto:serviceclient.gp@olympus.fr)

## AIKO HELLAS S.A.

24, Archelauou Str., 11635 Athens,  
Telefon (210) 7290168  
E-mail: [aiko@otenet.gr](mailto:aiko@otenet.gr), Telefax (210) 7220197  
<http://www.aiko.gr>

## מ"עב הדולא

לארשיב סופמילוא תומלצמ לש ידעלבהו ימשרה ואוביה  
ביבא לת, ירויפיתונמ תנוכש, 32 ביצנה ר' 67015  
סוקמב הינח, יליארע ילדגמל תימודר מ' 200  
ןופלט: 03-5651717/01  
קפוק: 03-5651700  
<http://www.aloda.co.il>

## OLYMPUS D.O.O. ZATRGOVINU

Avenija Večeslava Holjevca 40 HR-10020 Zagreb,  
Tel.: (1) 4899 000, Fax: 01 4899 029

## OLYMPUS HUNGARY KFT.

1382 Budapest 62, Pf. 838, Tel.: +36 1 250 9377

## POLYPHOTO S.P.A.

Via C. Pavese 11/13 20090 Opera/Milano,  
Tel.: (02) - 530021

## OLYMPUS LITHUANIA UAB

Seskinės 55A, Vilnius, LT - 07159 Lithuania  
Tel.: +370 5 233 00 21

## OLYMPUS LATVIA SIA

Vienības gatve 87 b, LV-1004 Riga,  
Tālr.: +371 762 33 34

## OLYMPUS NEDERLAND B.V.

Industrieweg 44, 2382 NW Zoeterwoude  
Tel.: 0031 (0)71-5821888, <http://www.olympus.nl>

## OLYMPUS BELGIUM N.V.

Boomsesteenweg 77, 2630 Aartselaar  
Tel: (03) 870 58 00

## OLYMPUS NORGE A/S

Postboks 119 Kjelsås, 0411 Oslo  
Tel. +47 23 00 50 50 · Fax: +47 23 00 50 80

## OLYMPUS POLSKA SP. Z O.O.

ul. Suwak 3, 02-676 Warszawa  
tel. 022 - 366 00 77, Faks: 022 - 831 04 53

## OLYMPUS PORTUGAL, SA

Rua Antero de Quental, 221 - Loja 11  
4455-586 Perafita, Tel.: +351 229 999 800

## MGT EDUCATIONAL S.R.L

Bd. Ficusului nr. 40, scara B, et. 2, Sector 1,  
013975 Bucuresti,  
Tel.: 021-2328894, Fax: 021-2328899, <http://www.mgt.ro>

## OLYMPUS D.O.O.

Đorđa Stanojevića 12, 11070 Beograd  
Tel.: 011 2222-914, <http://www.olympus.co.yu>

## ОЛИМПУС СЕРВИС ФАСИЛИТИ РУС

г. Москва, Кожевнический пр-зд 4, стр. 2  
Тел.: +7 495 540 70 71

## OLYMPUS SVERIGE AB

Pyramidvägen 5, 169 56 Solna, Sweden  
Tel.: +46 8 7353400, Fax: +46 8 7353410

## OLYMPUS SLOVENIJA D.O.O.

Baznikova 2, SI-1000 Ljubljana.  
TEL: +386 (1) 236 33 20

## OLYMPUS SK SPOL. S R.O.

Slovnafská 102, 821 07 Bratislava  
Tel.: +421 2 49209411

E-mail: [info@olympus.sk](mailto:info@olympus.sk) · [servis@olympus.sk](mailto:servis@olympus.sk)

## BEYAZ BILGISAYAR MALZ. DAG. SAN. TIC. LTD. STI.

Bostancı Yolu Cad. Keyap Yapı Kooperatifi No: 87 E-2,  
Yukarı Dudullu, Umraniye Istanbul 34760, Türkiye  
Tel.: +90 (0)216 365 32 32, Faks: +90 (0)216 365 38 67  
E-mail: [destek@beyazbilgisayar.com](mailto:destek@beyazbilgisayar.com)

## АВТОРІЗОВАНИ СЕРВІСНІ ЦЕНТРИ

УКРАЇНА ТОВ «СОНИКО УКРАЇНА»,  
м Київ, вул. Шухевича 10, тел. (044) 251-29-70  
УКРАЇНА ТОВ «КРОК-ТТЦ», м Київ, пр-т Маяковського 26,  
тел. (044) 459-42-55, 204-72-55

# **OLYMPUS®**

---

## **OLYMPUS IMAGING CORP.**

Shinjuku Monolith, 3-1 Nishi-Shinjuku 2-chome, Shinjyuku-ku, Tokyo 163-0914, Japan. Tel. +81 (0)3-3340-2111

**<http://www.olympus.com>**

## **OLYMPUS IMAGING EUROPA GMBH**

(Premises/Goods delivery) Wendenstrasse 14-18, 20097 Hamburg, Germany. Tel. +49 (0)40-237730

(Letters) Postfach 10 49 08. 20034 Hamburg, Germany.

**<http://www.olympus-europa.com>**

## **OLYMPUS UK LTD.**

Vision House 19 Colonial Way Watford Herts WD24 4JL. Tel. +44 (0)1923 831000

**<http://www.olympus.co.uk>**