

SENCOR®

Let's live!

**RETRO TURNTABLE
STT 019U**

**USER'S MANUAL
EN**



IF YOU WANT TO USE THIS PRODUCT CORRECTLY, THEN CAREFULLY READ THIS USER'S MANUAL AND STORE IT FOR FUTURE REFERENCE. IF YOU GIVE (SELL) THE APPLIANCE TO SOMEBODY, PLEASE ALSO INCLUDE ALL THE DOCUMENTATION TOGETHER WITH THIS APPLIANCE, INCLUDING THIS USER'S MANUAL.

Table of Contents

1. Important safety instructions.....	2
2. Buttons and connection	5
3. Preparing for use.....	7
4. Controls.....	8
5. Care and maintenance	13
6. Assembling the legs.....	16
7. Technical information.....	17

1. Important safety instructions



WARNING

DO NOT EXPOSE THE APPLIANCE TO RAIN AND INCREASED HUMIDITY. YOU WILL THEREBY AVOID AN INCREASED RISK OF FIRE AND INJURY BY ELECTRICAL SHOCK.



CAUTION: WHEN THE CASE OF THE APPLIANCE (OR ITS REAR PARTS) ARE REMOVED THERE IS A RISK OF A FIRE OR INJURY BY ELECTRICAL SHOCK. THERE ARE NO COMPONENTS INSIDE THE APPLIANCE THAT THE USER CAN REPAIR ON THEIR OWN. HAVE ALL REPAIRS PERFORMED BY QUALIFIED SERVICE TECHNICIANS.



The flash symbol inside an equilateral triangle informs the user that there are uninsulated conductors inside the appliance under "dangerous voltage", which may cause injury to persons by electrical shock.



The symbol of an exclamation mark inside an equilateral triangle informs the user about important instructions in the attached publication regarding the operation and maintenance of the appliance.

CAUTION: In order that you use the product properly, carefully read the user's manual and save it for future use. In the event that the appliance requires repairs or maintenance, please contact an authorised service centre.

CAUTION: In the event that it is necessary to remove the case, first pull the power cord plug out of the power socket.

1. Read the user's manual

After unpacking the product, carefully read the user's manual, follow the instructions describing the controls and other tasks.

2. Power source

This appliance can only be connected to a power source with corresponding parameters as included on the rating label. If you are not sure about the parameters of your electrical system, please consult your vendor or your local power distributor. For products powered by batteries or other power sources, necessary information is contained in the user's manual.

3. Ventilation

The vents and slots on the case of the appliance are used for ventilation. They protect the appliance against overheating and so ensure its proper operation. Do not block or cover these openings. Do not block the ventilation openings by placing the appliance on a bed, couch, carpet or similar surface. It is only possible to place the appliance into a bookcase, cupboard or another confined area if proper ventilation is provided for and the conditions set by the manufacturer are met.

4. High temperatures

Do not locate the device in the vicinity of heaters, stoves, fireplaces or other sources of heat (including amplifiers). An open flame must not be placed on the appliance, e.g. burning candle.

5. Water and humidity

Do not use this appliance near water – e.g. next to a bath, kitchen sink, in a damp cellar, near a pool, etc. Do not place any containers filled with water (e.g. vases) on to the appliance.

6. Cleaning

Pull the power plug out of the power socket before cleaning. Do not use liquid or aerosol cleaning agents. Clean the appliance with a damp cloth.

7. Protection of power cords

Locate cables in such a way that they are not walked on and that they are not damaged by objects standing above or next to them. Pay special attention to locations where cables exit power sockets, extension cables and the appliance.

8. Overloading

Do not overload power sockets, extension cords or integrated switching sockets to avoid increasing the danger of fire or injury by electrical shock.

9. Storm

Before a storm or a longer period of time when you will not be using the appliance, disconnect the plug from the power socket. This will prevent damage caused by a lightning strike into the electrical system or by overvoltage.

10. Entry of items or liquids

Do not attempt to insert any objects into the ventilation openings. In the event that contact occurs with any part that is under current, or a short circuit occurs, there is a danger of fire or injury by electrical shock. Prevent liquids from entering into the appliance.

11. Connection

Do not use connection methods not recommended by the manufacturer, otherwise health or property may be put in jeopardy. The power socket which the AC power cord or power adapter is plugged into must be easily accessible.

12. Accessories

Do not place the appliance on unstable carts, stands, tripods, shelves or tables. In the event of a fall, a child or adult could be injured or the device could be damaged. Use only carts, stands, tripods and tables recommended by the manufacturer or supplied as an accessory with the appliance. When attaching the appliance, use only original accessories and follow the instructions of the manufacturer. When the appliance is located on a cart, move it carefully. In the event that you quickly stop, exert excessive force or move over an uneven surface the cart may tip over together with the appliance.

13. Load

Do not step on the appliance or place heavy objects on it. If such an object were to fall, it could cause injury or damage the appliance.

14. Connecting

When connecting the appliance to another device, turn off all connected devices and disconnect them from the mains power supply. Carefully read the user's manual of the connected device before connecting it and proceed according to the provided instructions.

15. Volume

Turn volume down to the minimum level before turning on the appliance. In the event that emitted sound is too loud, it could lead to damage to your hearing or the speakers.

16. Sound distortion

Do not allow the appliance to playback distorted sound for too long. This could lead to the speakers overheating and subsequently a fire.

17. Headphones

Use a reasonable volume level when using headphones. Long term listening at excessive volume levels may damage hearing.

18. Records

Do not use cracked, deformed or repaired records. They may break up and cause serious injury or damage to the appliance.

19. Damage requiring repairs

If one of the following situations occur, disconnect the appliance from the mains and have it repaired by qualified service technicians:

- a) the power cord or plug was damaged;
- b) an object fell into the appliance or liquid entered it;
- c) the appliance was subject to the effects of rain or water;
- d) when operated according to the user's manual, it does not function normally. Only adjust the settings that are described in the user's manual. Any other adjustments may cause serious damage to the appliance. In such an event, it may require extensive repairs to put the appliance back into working order;
- e) the appliance fell or was damaged in any way;
- f) if significant changes in the operation of the appliance are occurring – in such an event it is necessary to seek help at a qualified service centre.

20. Repairs

Do not attempt to repair the appliance yourself. If you open the case, you are exposing yourself to the danger of injury by electrical shock and a number of other hazards. Leave all repairs to qualified technicians.

21. Spare parts

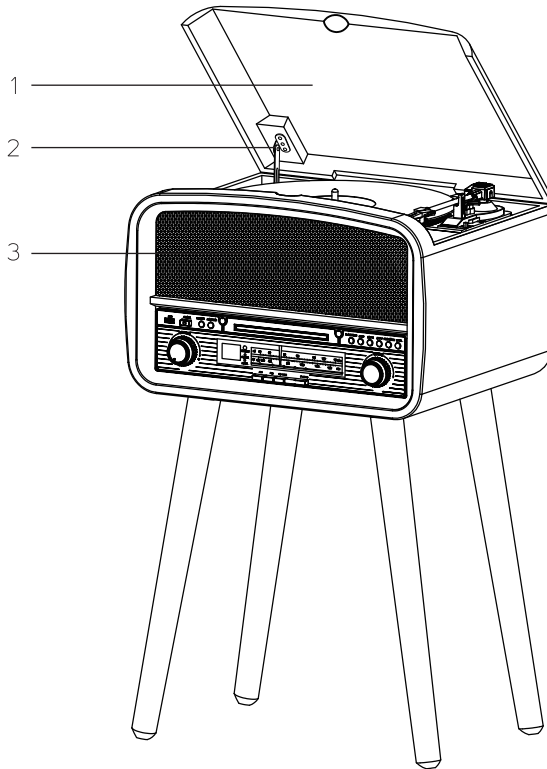
If it is necessary to replace any components, make sure that the service technician uses either original components directly or such components where all the parameters correspond to the original. When inappropriate components are used, there exists a danger of a fire or injury by electrical shock.

22. Safety inspection

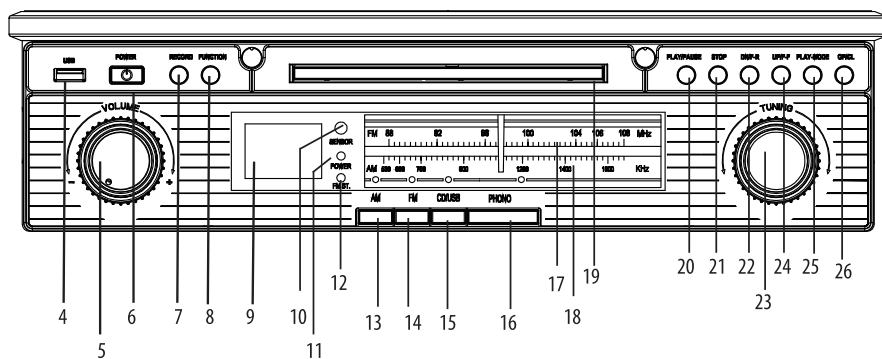
After completing any maintenance task, ask the technician to check that the appliance works properly.

2. Buttons and connection

Main unit



Control panel

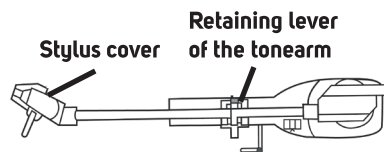
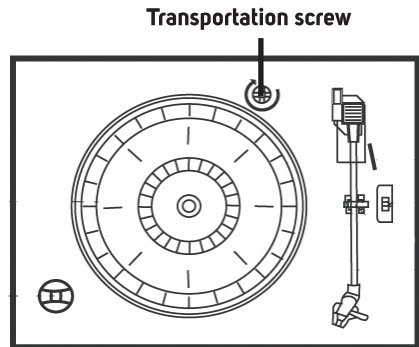


1. **Record player lid**
Lift it to uncover the record player
2. **Support arm for record player lid**
Lift it up and secure in the support location
3. **Speakers**
Playback audio from radio, CD discs or gramophone records.
4. **USB slot**
5. **Volume control knob**
Playback volume control
6. **Power button**
7. **Record button**
8. **Function button**
9. **LCD display**
10. **Remote control sensor**
11. **Power indicator**
12. **FM ST. indicator**
Indicates active FM stereo mode
13. **AM button**
14. **FM button**
15. **CD/USB button**
16. **Phono button (record player)**
17. **FM frequency scale**
Indicates channels in the FM band
18. **AM frequency scale**
Indicates channels in the AM band
19. **CD disk drive**
For inserting a CD disc CD into the player
20. **Play/Pause button**
Play/pause playback
21. **Stop button**
Stop playback
22. **DN/F-R (Down/Fast reverse playback)**
23. **Tuning control knob**
Indicates the played station
24. **UP/F-F (Up/Fast forward playback)**
25. **PLAY MODE button**
26. **OP/CL button (Open/Close)**
Opens or closes the disk drive

3. Preparing for use

Unpacking and setting up

- Carefully remove the appliance from the box and remove all packaging material from it
- Unwind the power cord and pull it out to maximum length
- Unwind the antenna for the FM band and pull it out to maximum length
- Place the appliance on a stable and even surface in the vicinity of a power socket, away from sunlight and away from sources of excessive heat, dust, humidity or strong magnetic fields
- Lift the lid to open the record player.
The record player was secured for transport using a transportation screw. Using a coin or screwdriver, **TURN THE TRANSPORTATION SCREW CLOCKWISE**. This will enable the turntable to "float" and rotate freely.
- Remove the non-transparent white plastic stylus cover from the stylus of the record player by sliding it in the direction of the arrow.
- Dispose of the stylus cover.
- Remove the tying wire used to secure the tonearm during transport.
- Release the tonearm retaining lever.
- Insert the power plug into a power socket as shown below.



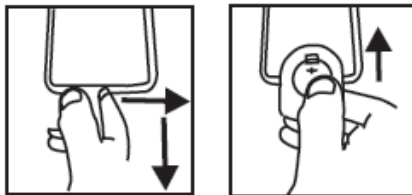
Power source

This system is designed to be powered only by standard alternating current 230 V, 50 Hz. Attempting to power this system using any other power source may result in damage to the system, which is not covered by warranty.

Installing a battery in the remote control

- The remote control requires one lithium battery CR2025 (3 V).
- Hold it straight, push down on the clasp with your thumb in the correct direction according to the arrow on the picture and remove the battery by moving it towards yourself. Remove the battery compartment by sliding it towards yourself using your index finger. Remove the battery compartment from the remote control. Insert

a lithium battery (CR-2025) into this compartment with the positive pole facing upwards. Hold the remote control straight upwards and gently push the battery compartment into the remote control. Correct closure is confirmed by a click.



Important instructions for lifting and closing the lid:

To open the lid, lift it up as far as possible until the support arm is "secured in place" to hold the lid in the open position. To close the lid, lift this lid slightly upwards until the support arm is "released" and then carefully close the lid.



To prevent the case or lid being damaged, never close the lid by force. Always lift the lid to release the lid support arm.

Protection for your furniture

This model is equipped with non-slip rubber "feet" preventing the product from moving when the control elements are used. These "feet" are made from a non-slip rubber material specially designed not to leave any marks or stains on your furniture. Certain types of oil furniture polishes, wood preserving agents or cleaning sprays may cause the rubber "feet" to soften, which may subsequently leave marks or rubber remains on the furniture. To prevent any damage to furniture, we strongly recommend that you purchase small self-adhesive felt pads, commonly available in hardware and hobby stores, and to attach these pads to the underside of the rubber "feet" even before placing this product on wooden furniture.

4. Operation

Turning on the device

1. Press the POWER button on the front panel and set the volume to a low level. The POWER Indicator will be lit.
2. Press the FUNCTION button (AM/FM/CD/USB/AUX IN/PHONO - AM/FM/CD/USB/ External input/Record player) and select the desired function.
3. Adjust the volume using the VOLUME control knob.
4. When you have finished using the system, press the POWER button again to turn the record player off. The POWER indicator will turn off.

Inserting and playing CD discs

1. Press the POWER button on the front panel to turn on the system and set the volume to a low level. Press the CD/USB button.
2. Press the OP/CL to open the CD disc tray. Insert a CD into the tray so that the side with the printed label is facing upwards. Press the OP/CL button again to close the CD tray.
3. The disc will spin for several seconds while the player reads the disc and the total number of tracks will appear on the display. The appliance will start playing at the set volume.
4. To skip forward or back between the individual tracks on the disc, press the UP/F-F or DN/F-R button.
5. To pause playback, press the PLAY/PAUSE button. The PLAY/PAUSE indicator will flash on the display. Press again to resume playback. When the disc has finished playing, it will stop spinning.
6. To fully stop playback, press the STOP button.



USB playback

1. First press the CD/USB button and using the FUNCTION button, select the USB mode - the LED display will show "- - -" and the USB icon.
2. Connect the USB device to the USB slot. The player will start playing the first track on the USB device.
3. The MP3 icon will appear when the MP3 (WMA) format is detected. (WMA)
4. The functions PLAY/PAUSE, DN/F-R/UP/F-F (Down/Fast playback backwards / Up/Fast playback forwards) and STOP are the same as in the CD disc playback mode.



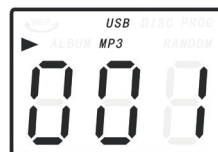
To switch between the CD and USB playback modes, you may press the FUNCTION button on the appliance or the PLAY/PAUSE button on the remote control.

Removing the USB device

Before removing the USB device, make sure that playback has stopped, then turn off the appliance to prevent damaging the USB device and the system.

Playback in MP3 mode (when playing CD/USB)

1. Press the PLAY/PAUSE button to start or pause playback of the selected track in the CD/USB mode.
2. When a track is being played, its track and folder number will be shown on the display. The MP3 and ► icon will be shown.
3. You can stop playback at any time by pressing the STOP button.



Skipping tracks, fast searching of tracks in CD/USB mode.

During CD/USB playback, you may repeatedly press the UP/F-F (Up/Fast forward playback) or DN/F-R (Down/Fast reverse playback) to skip to tracks with a higher or lower number. Release the button when the required track number is reached. The disc will start playback from the selected track.

Press the DN/F-R or UP/F-F button to select a track from a folder. "ALBUM" and "001", "002" will flash (name of folder and name of track). Press the PLAY-MODE button four times or the RANDOM button on the remote control - the LED display will show RANDOM. Press the DN/F-R or UP/F-F button for manual random track selection.



Folders are only available in the case of USB detection, not during the playback of a CD disc. FUNCTION of the appliance or PLAY/PAUSE button on the remote control.

Memory function in CD/MP3 mode

1. Press the STOP button and then press the PLAY-MODE button on the remote control to program your tracks. The display will show "PROG" (flashing) and "P01". Pressing the UP/F-F or DN/F-R button, select a track and then press the PLAY-MODE or PROGRAM button to confirm your selection.
2. Press the PLAY-MODE or PROGRAM button to program more tracks.
Repeat this procedure for all selected tracks.
3. To set the memory in MP3 (CD/USB) mode, repeat steps 1 and 2.
4. Press the PLAY/PAUSE button to playback the saved tracks, press the UP/F-F or DN/F-B button to select tracks in the saved sequence.
5. Press the STOP button twice to end the program mode. This will delete the memory or all the previous selections.





You can save a total of 99 MP3 tracks and 20 CD tracks.

Listening to the radio

1. Press the POWER button on the front panel to turn on the system and set the volume to a low level. Press the AM or FM button to select a broadcast band. The backlight of the tuner will be lit.
2. Turn the tuning control knob to select a station. The backlight behind the AM/FM control knob will be lit. If you tune into a strong FM station, the FM stereo indicator will be lit and stereo sound will be reproduced. If you tune into a weaker FM station, reception will automatically switch to the mono mode.

Reception in the AM broadcast band

An antenna for the AM broadcast band is built into the cover. If reception is unsatisfactory, try moving the appliance slightly to improve the signal.

Reception in the FM broadcast band

A wire antenna is located at the rear of the appliance. If necessary, adjust the position and direction of this antenna so that reception is as good as possible.

Playback of gramophone records

This system features a 3-speed full-size record player with belt drive enabling playback speeds of 33, 45 and 78 rpm.

1. Press the POWER button on the front panel and set a low volume level. Make sure that the cover has been removed from the stylus and that the tonearm latch has been released.
2. Set the turntable speed switch to the appropriate speed: 33, 45 or 78 rpm. Place a record on the turntable. When playing singles at 45 rpm, place an 45 rpm adapter in the centre of the spindle.
3. Lift the tonearm away from its support by lifting the CUE lever. Move the tonearm to the edge of the record. The turntable will turn on automatically. Using the CUE lever, carefully lower the tonearm on to the record.
4. Turn the volume control knob to set the desired volume.
5. To turn off the system, press the POWER button again - the POWER indicator will turn off.

Recording from CD discs on to a USB device

1. With the appliance turned on and the USB device inserted, press the CD/USB button and insert the desired CD disc, playback will start automatically.



Do not spin the turntable or adjust it by hand. Turning or vibrations of the turntable without the tonearm secured could damage the tonearm or the stylus.

2. Use buttons UP/F-F or DN/F-R to select a track. Press the RECORD button twice to start recording - the USB icon will flash on the display.
3. Recording will continue until the STOP button is pressed.

Recording a program from CD disc or mp3 on to a USB device

1. Program a memory by following steps 1 to 3 on page 10. Press the START/PAUSE button to start the program.
2. Use buttons UP/F-F or DN/F-R to select a track. Press the RECORD button twice to start recording - the USB icon will flash on the display.
3. Recording will continue until the STOP button is pressed.

Recording from the record player on to a USB device

1. With the appliance turned on and the USB device inserted, press the PHONO button.
2. Place a record on to the turntable and start playback.
3. Press the RECORD button twice to start recording - the USB rEC icon will flash on the display. Recording will continue until the STOP button is pressed.

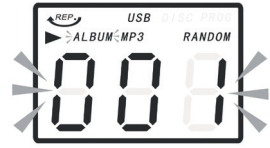
NOTE: When recording (irrespective of the source), the recording will not be affected by the volume setting on the remote control because the recording volume is preset.

Deleting files from a USB device

1. Insert a USB device into the USB slot. Press the CD/USB button and then the FUNCTION button to select USB mode.
2. Use buttons UP/F-F or DN/F-R to select a file for deletion. Repeatedly press buttons FOLDER +/-10 or FOLDER -/-10 on the remote control to go to a folder with a higher or lower number (if there are folders on the USB device).
3. Press the DELETE button on the remote control - DEL will flash on the display.
4. Press the DELETE button again to confirm the deletion of the current track.

Repeat/random playback function in the CD/MP3 mode

1. Press the PLAY-MODE button on the front part of the appliance or the REPEAT button on the remote control ONCE for repeat playback of the currently played track - the REP icon will appear on the track number display.
2. Press the PLAY-MODE button on the front part of the appliance or the REPEAT button on the remote control TWICE for repeat playback of all the tracks on the USB device or MP3 disc - the REP icon will appear on the track number display.
3. Press the PLAY-MODE button on the front part of the appliance or the REPEAT button on the remote control THREE TIMES for random playback of all the tracks on the USB device or MP3 disc - the RANDOM icon will appear on the track number display.



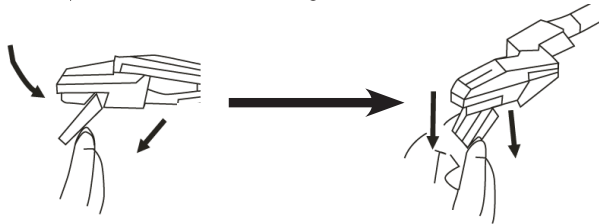
5. Care and maintenance

Replacing the stylus

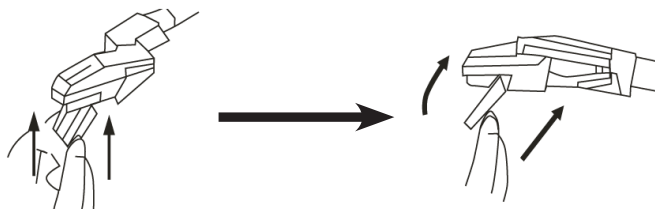


IMPORTANT: Do not touch the stylus.

1. Lift the tonearm off the tonearm support.
2. On the front end of the tonearm, insert the tip of your finger nail between the stylus holder and the cartridge cover as shown in the picture, and push the stylus holder downwards to separate it from the cartridge cover.



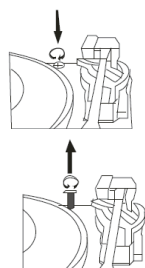
3. Completely remove the stylus holder with the worn out stylus and dispose of it.
4. Insert a new stylus holder with stylus under the cartridge cover. First push the rear side of the stylus holder upwards and then push the front edge of the stylus holder so that it slides into the cartridge cover.



IMPORTANT!

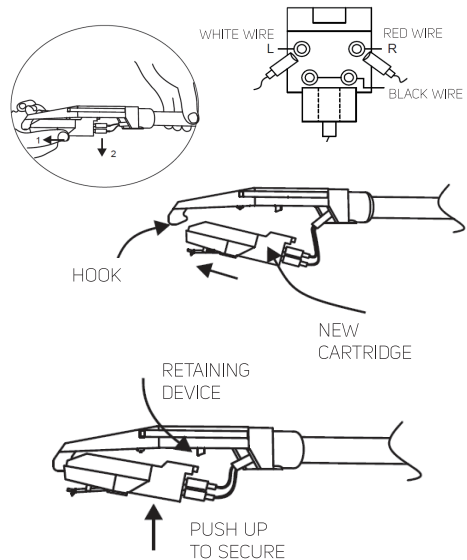
A silver transportation screw located in the top part of the turntable base is used to protect the turntable against damaged during transport.

1. Before playback, please use a screwdriver to turn the transportation screw as far as possible clockwise (the screw moves downwards) to release the turntable.
2. To again secure the turntable for transport, turn this screw anticlockwise.



When replacing the cartridge on the tonearm, please proceed according to the instructions provided below:

1. Carefully lift the tonearm off the tonearm support.
2. Hold the tonearm with your left hand and hold the rear part of the cartridge with your right hand. Then press the cartridge back and down in the direction shown on the left to separate the cartridge from the tonearm.
3. Using tweezers or fingers, carefully disconnect the clamps from the cartridge.
4. Carefully connect the clamps to a new cartridge (not included).
5. Reinstalling the cartridge on to the tonearm. Please first secure the front end of the new cartridge on the tonearm hook.
6. Push the rear side of the new cartridge up to secure it in the tonearm.



CAUTION: Please be careful not to damage the stylus when installing the new cartridge.

Caring for compact discs

- Handle compact discs with care. When handling compact discs, hold them by the edge. Never permit your fingers to come into contact with the shiny unprinted side of the compact disc.
- Do not attach adhesive tapes, stickers, etc. on to the compact disc prints.
- Regularly clean compact discs using a lint-free fine cloth. Never use ordinary cleaning agents or cleaning agents with abrasive effects to clean compact discs. If necessary, use a CD cleaning set.



- If a compact disc is skipping or locking up in certain parts, it is most probably dirty or damaged (scratched).

- Clean compact discs with a direct movement from the centre of the disc to its edges. Never clean it using a circular motion.
- Store compact discs in covers to prevent their damage.
- Do not expose compact discs to direct sunlight, high humidity, high temperatures, dust, etc. Long term exposure to such conditions may warp the disc.
- Do not stick anything or write on either side of the compact disc. Writing with sharp implement or ink could damage the disc.

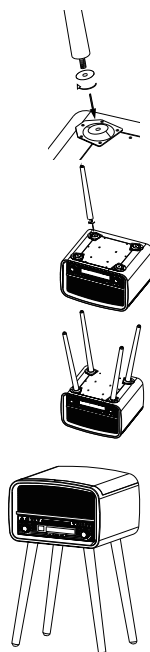
6. Assembling the legs

Open the packaging and remove the appliance together with the 4 legs, turn the appliance upside down and place it on a smooth turntable and then assemble the legs in the following manner:

Hold 1 leg in your hand, place a washer on to the thread and make sure that the screws in the leg are accurately inserted in the holes in the appliance, turn the leg clockwise and secure it well in place.

Steps 2–4: Repeat step 1 to securely attach all 4 legs.

Step 5: Turn the appliance over again and stand the appliance with the legs on the floor.



7. Technical specifications

Three speeds 33/45/78 rpm
CD/MP3 player
Radio with an FM/AM tuner
Manual search
Playback from USB and recording to USB
Direct recording to USB from an LP record and CD disc
MP3/WMN support
Integrated stereo speaker (2x 2 W RMS)
Accessories: Wooden stand, remote control, user's manual
Power source: AC 230V 50Hz
Power consumption: 19 W
Dimensions (H x W x D): 695 x 500 x 210 mm
Weight: 9.1 kg

INSTRUCTIONS AND INFORMATION REGARDING THE DISPOSAL OF USED PACKAGING MATERIALS

Dispose of used packaging material at a site designated for waste in your municipality.

DISPOSAL OF USED ELECTRICAL AND ELECTRONIC EQUIPMENT



This symbol on products or original documents means that used electric or electronic products must not be added to ordinary municipal waste. For proper disposal, renewal and recycling hand over these products to determined collection points. Or as an alternative in some European Union states or other European countries you may return your products to the local retailer when buying an equivalent new product. Correct disposal of this product helps save valuable natural resources and prevents damage to the environment caused by improper waste disposal. Ask your local authorities or collection facility for more details. In accordance with national regulations penalties may be imposed for the incorrect disposal of this type of waste.

For business entities in European Union states

If you want to dispose of electric or electronic devices, ask your retailer or supplier for the necessary information.

Disposal in other countries outside the European Union

This symbol is valid in the European Union. If you wish to dispose of this product, request the necessary information about the correct disposal method from the local council or from your retailer.



This product meets all the basic requirements of EU directives that apply to it.

Changes in the text, design and technical specifications may be made without prior notice and we reserve the right to make such changes.

The original version is in the Czech language.

Address of the manufacturer: FAST ČR, a.s., Černokostecká 1621, Říčany CZ-251 01

SENCOR®

EN Warranty conditions

Warranty card is not a part of the device packaging.

This product is warranted for the period of 24 months from the date of purchase to the end-user. Warranty is limited to the following conditions. Warranty is referred only to the customer goods using for common domestic use. The claim for service can be applied either at dealer's shop where the product was bought, or at below mentioned authorized service shops. The end-user is obligated to set up a claim immediately when the defects appeared but only till the end of warranty period. The end user is obligated to cooperate to certify the claiming defects. Only completed and clean (according to hygienic standards) product will be accepted. In case of eligible warranty claim the warranty period will be prolonged by the period from the date of claim application till the date of taking over the product by end-user, or the date the end-user is obligated to take it over. To obtain the service under this warranty, end-user is obligated to certify his claim with duly completed following documents: receipt, certificate of warranty, certificate of installation.

This warranty is void especially if apply as follows:

- Defects which were put on sale.
- Wear-out or damage caused by common use.
- The product was damaged by unprofessional or wrong installation, used in contrary to the applicable instruction manual, used in contrary to legal enactment and common process of use or used for another purpose which has been designed for.
- The product was damaged by uncared-for or insufficient maintenance.
- The product was damaged by dirt, accident of force majeure (natural disaster, fire, and flood).
- Defects on functionality caused by low duality of signal, electromagnetic field interference etc.
- The product was mechanically damaged (e.g. broken button, fall).
- Damage caused by use of unsuitable media, fillings, expendable supplies (batteries) or by unsuitable working conditions (e.g. high temperatures, high humidity, quakes).
- Repair, modification or other failure action to the product by unauthorized person.
- End-user did not prove enough his right to claim (time and place of purchase).
- Data on presented documents differs from data on products.
- Cases when the claiming product cannot be indentified according to the presented documents (e.g. the serial number or the warranty seal has been damaged).

Authorized service centers

Visit www.sencor.eu for detailed information about authorized service centers.

SENCOR®

Let's live!



www.sencor.cz

Designed in Europe by Sencor®, Made in China

