

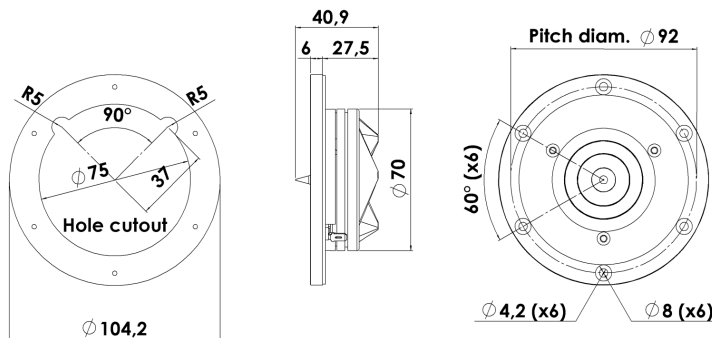


REVELATOR

TWEETER

R2904/700005

The Revelator tweeter series consist of the revolutionary ring radiator design, which put an end to some of the design trade-offs in dome designs. The ring radiator still offers unrivalled performance. Additional enhancements have been made to reduce distortion and power compression, such as large neodymium magnet systems for high sensitivity, and a careful design to optimize airflow in the chambers.



KEY FEATURES:

- 1" Ring Dome Diaphragm
- Patented Symmetrical Drive (SD-2) motor
- Non Resonant Alu Rear Chamber
- Patented Phase Plug Design
- Large Ring Neo Magnet f. High Output
- Black Anodized Machined Alu Face Plate

T-S Parameters

Resonance frequency [fs]	520 Hz
Mechanical Q factor [Qms]	2.90
Electrical Q factor [Qes]	0.38
Total Q factor [Qts]	0.33
Force factor [Bl]	2.8 Tm
Mechanical resistance [Rms]	0.34 kg/s
Moving mass [Mms]	0.3 g
Suspension compliance [Cms]	0.31 mm/N
Effective diaph. diameter [D]	27 mm
Effective piston area [Sd]	5.6 cm ²
Equivalent volume [Vas]	0.01 l
Sensitivity (2.83V/1m)	94.5 dB
Ratio Bl/√Re	1.62 N/√W
Ratio fs/Qts	1566 Hz

Notes:

IEC specs. refer to IEC 60268-5 third edition.
All Scan-Speak products are RoHS compliant.
Data are subject to change without notice.
Datasheet updated: February 22, 2011.

Electrical Data

Nominal impedance [Zn]	4 Ω
Minimum impedance [Zmin]	3.7 Ω
Maximum impedance [Zo]	26.2 Ω
DC resistance [Re]	3 Ω
Voice coil inductance [Le]	0.01 mH

Power Handling

100h RMS noise test (IEC 17.1)*	160 W
Long-term max power (IEC 17.3)*	- W

*Filter: 2. order HP Butterworth, 2.5 kHz

Voice Coil and Magnet Data

Voice coil diameter	26 mm
Voice coil height	2.1 mm
Voice coil layers	2
Height of gap	2.5 mm
Linear excursion	± 0.2 mm
Max mech. excursion	± 1.6 mm
Unit weight	0.4 kg

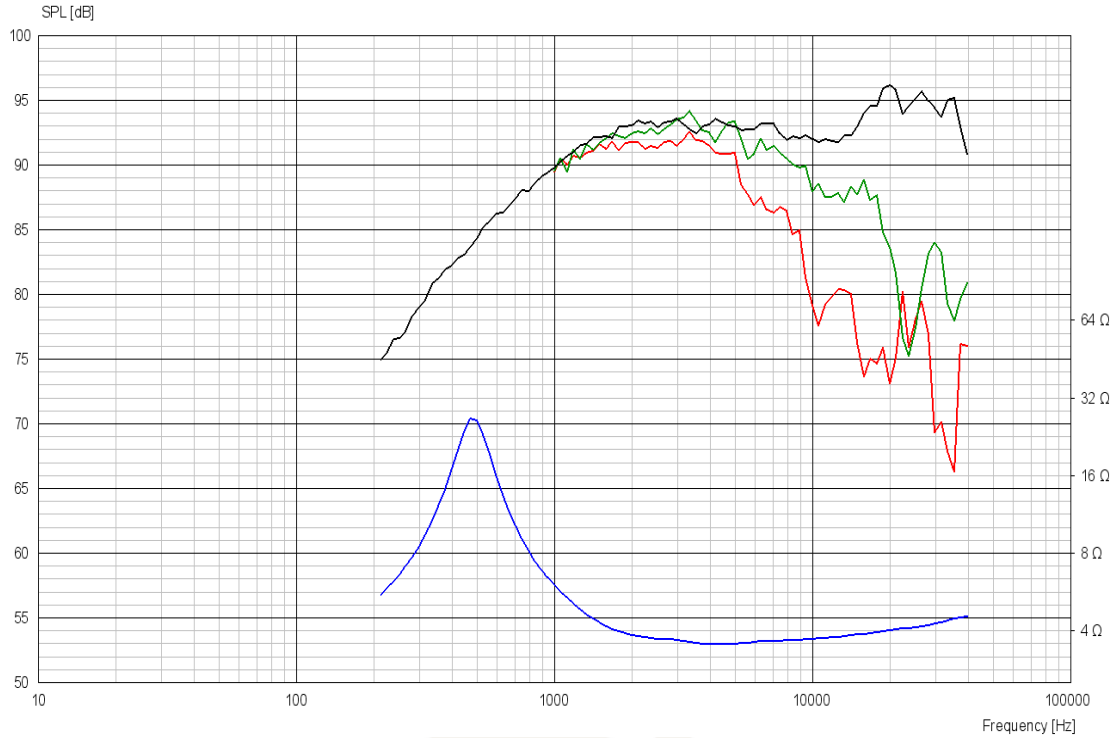




REVELATOR

TWEETER

R2904/700005



Advanced Parameters (Preliminary)



Electrical data:

Resistance [Re']	- Ω
Free inductance [Leb]	- mH
Bound inductance [Le]	- mH
Semi-inductance [Ke]	- SH
Shunt resistance [Rss]	- Ω

Mechanical Data

Force Factor [Bl]	- Tm
Moving mass [Mms]	- g
Compliance [Cms]	- mm/N
Mechanical resistance [Rms]	- kg/s
Admittance [Ams]	- mm/N

