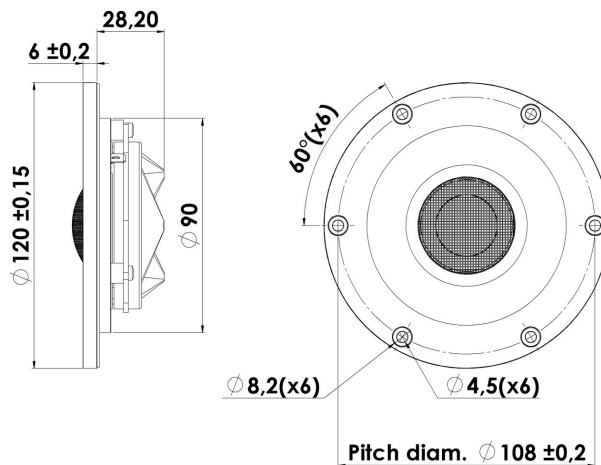


REVELATOR

TWEETER

D2908/714000

D2908/714000 is a highly efficient and high-power 8 ohm 1" beryllium dome tweeter, it reproduces music clean and clear at all listening levels with dynamic precision and a superb vocal rendition as when recorded. The smooth machined alu faceplate and the acoustical very transparent wire-mesh protection grille not only represent a beautiful appearance is also allows the sound to be dispersed free and undistorted to the listener.



KEY FEATURES:

- Beryllium Diaphragm (99% Pure Be)
- Patented Symmetrical Drive (SD-2) motor
- Black Anodized Ø120mm Machined Alu Faceplate
- Rear Mount Magnet System
- Titanium Voice Coil Former
- Non Resonant Aluminium Rear Chamber

T-S Parameters

Resonance frequency [fs]	534 Hz
Mechanical Q factor [Qms]	7.3
Electrical Q factor [Qes]	0.50
Total Q factor [Qts]	0.47
Force factor [Bl]	3.6 Tm
Mechanical resistance [Rms]	0.15 kg/s
Moving mass [Mms]	0.33 g
Compliance [Cms]	0.26 mm/N
Effective diaph. diameter [D]	30 mm
Effective piston area [Sd]	7 cm ²
Equivalent volume [Vas]	0.02 l
Sensitivity (2.83V/1m)	92 dB
Ratio Bl/√Re	1.5 N/√W
Ratio fs/Qts	1136 Hz

Notes:

IEC specs. refer to IEC 60268-5 third edition.
All Scan-Speak products are RoHS compliant.
Data are subject to change without notice.
Datasheet updated: 03.10.2012

Electrical Data

Nominal impedance [Zn]	8 Ω
Minimum impedance [Zmin]	6.5 Ω
Maximum impedance [Zo]	90 Ω
DC resistance [Re]	5.7 Ω
Voice coil inductance [Le]	0.02 mH

Power Handling

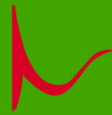
100h RMS noise test (IEC 17.1)*	130 W
Long-term max power (IEC 17.3)*	200 W

*Filter: 2. order HP Butterworth, 2.5 kHz

Voice Coil & Magnet Data

Voice coil diameter	26 mm
Voice coil height	2.1 mm
Voice coil layers	2
Height of gap	2.5 mm
Linear excursion	± 0.2 mm
Max mech. excursion	± 1.6 mm
Unit weight	0.5 kg

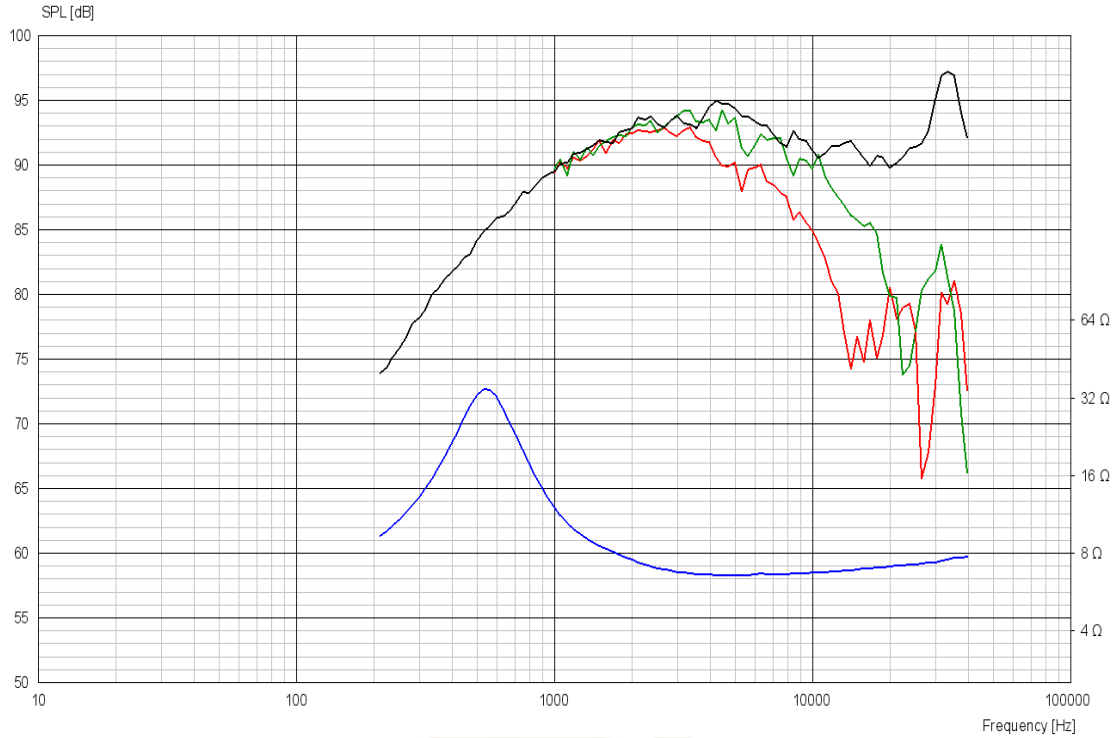




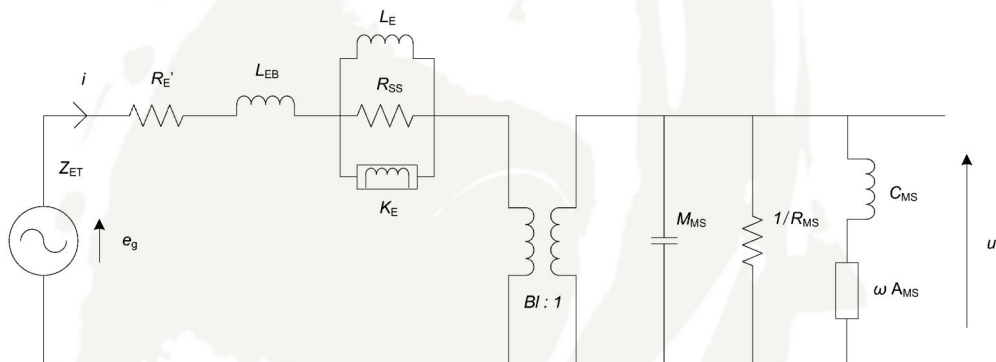
REVELATOR

TWEETER

D2908/714000



Advanced Parameters (Preliminary)



Electrical data

Resistance [Re']	- Ω
Free inductance [Leb]	- mH
Bound inductance [Le]	- mH
Semi-inductance [Ke]	- SH
Shunt resistance [Rss]	- Ω

Mechanical Data

Force Factor [BI]	- Tm
Moving mass [Mms]	- g
Compliance [Cms]	- mm/N
Mechanical resistance [Rms]	- kg/s
Admittance [Ams]	- mm/N

