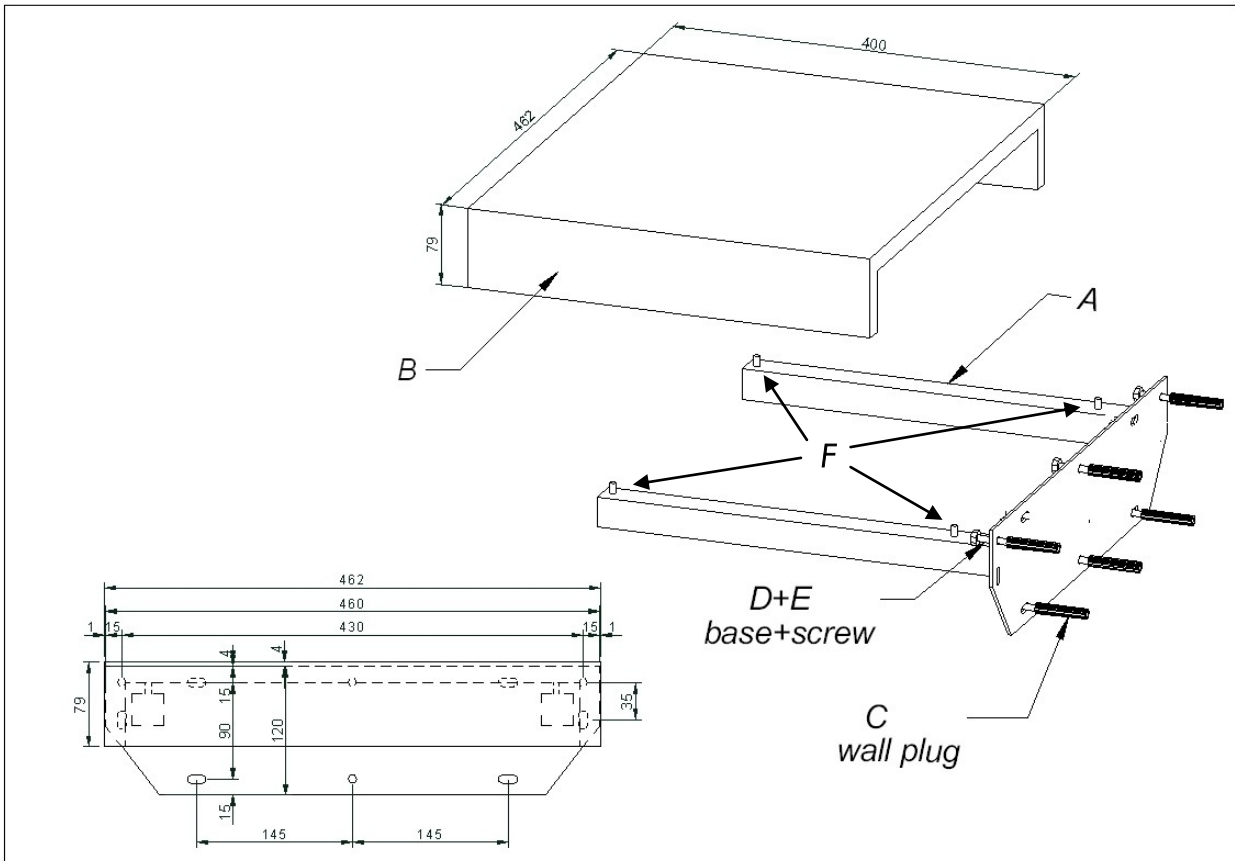




INSTALLATION MANUAL
Pro-Ject Wall mount it 5 (WMI-5)



ASSEMBLY AND INSTALLATION

This pack contains:

1 Steel wall bracket, 1 Wood shelf, 1 Mounting hardware kit

Parts List:

- A, Steel wall bracket 1 x
- B, Wooden shelf 1x
- C, Wall Plugs x 6
- D, Wall screws x 6
- E, Washers 6x
- F, Levelling and anti-resonance screw spikes 4 x
- G, Locking nuts 4x (not pictured)

Dear music lover,
Thank you for purchasing a WMI console from Pro-Ject Audio Systems.

In order to achieve maximum performance and reliability you should study these instructions carefully.



Warning of a hazard for the user, the unit or possible misuse.



Important notice.

Safety instructions

Do not install this product until all the instructions and warnings have been read and thoroughly understood. Please keep these instructions for future reference.

Due to the weight of turntables and their fragile nature we recommend you to have the bracket mounted by an installation expert.

If you do not wholly understand the instructions provided or if you are not sure how to install this product, please contact a professional for advice and / or installation. A failure in mounting this shelf could lead to serious injury.



Please pay close attention to find the right place to mount the console. Some walls are not suitable for the installation. If you install this mount on drywall it must be anchored into the wood stud, concrete block or brick behind the drywall. It is not suitable to secure to steel studs or weak concrete / brick. Installing on drywall alone will not support the weight of a populated WMI console.

Ensure that sufficient space and safety distance is provided when installing this product.

When drilling holes into a wall, it is particularly important to take care of immured electrical cables, water or gas pipes.



Please note: It is important that all fixing screws supplied are used. If the fixing screws included are not sufficient for the wall you are mounting this product on, please consult your local hardware store.

The turntable or Hi-Fi device attached must weigh less than the recommended weight of 30 Kg.

Technical specifications

Pro-Ject Wall mount it 5 (WMI-5)

Maximum load	30 kg
Dimensions (W x H x D)	462 x 79 x 400 mm
Weight	9,1 kg

Maintenance and cleaning

Your wall mount console requires no regular maintenance. Remove dust with a slightly moistened antistatic cloth. Never use a dry cloth because this will create static electricity which attracts more dust! Antistatic cleaning fluids are available at specialist stores.