

Model Number: TC7FD00-04
Product Line: Peerless Silver

Revision: Rev 1_0
Date: 22-Dec-10

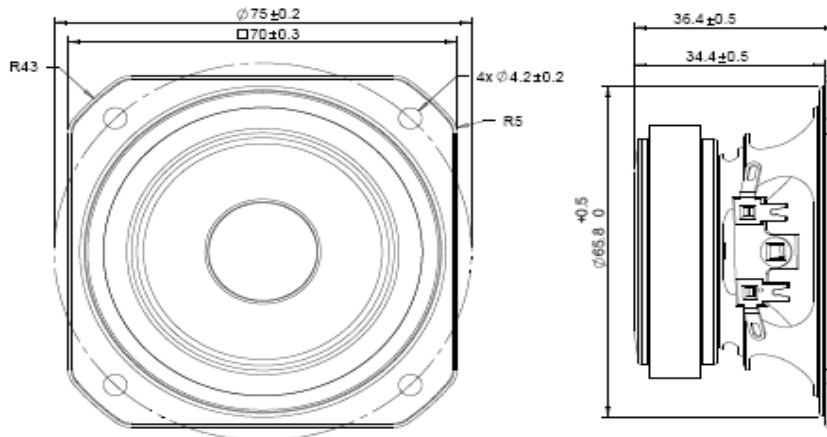


Product Description:

This TC family 2.5 inch 4 Ω full-range driver, with ferrite magnet, paper cone and rubber surround, and steel basket, is designed to be a cost-effective high performance full range driver. The cone utilizes Tymphany-patented PentaCut NRSC cone technology to help dampen and control cone resonances, optimizing the listening experience. The motor contains a copper cap to lower inductance and distortion. The product was designed with television and other compact applications in mind.



Mechanical 2D Drawing:

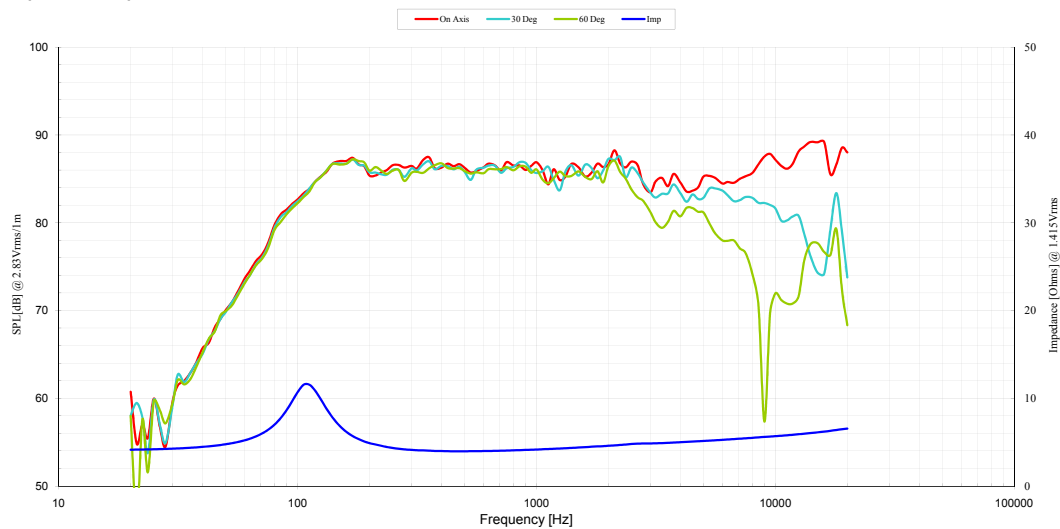


Specifications:

DC Resistance	R_{evc}	Ω	3.2	5.0%	Energy Bandwidth Product	EBP	$(1/Q_{es})f_s$	117
Minimum Impedance	Z_{min}	Ω	4.0	7.5%	Moving Mass	M_{ms}	g	1.64
Voice Coil Inductance	L_e	mH	0.02		Suspension Compliance	C_{ms}	um/N	750.5
Resonant Frequency	f_s	Hz	143	15.0%	Effective Cone Diameter	D	cm	5.3
Mechanical Q Factor	Q_{ms}	-	3.7		Effective Piston Area	S_D	cm ²	22.1
Electrical Q Factor	Q_{es}	-	1.22		Equivalent Volume	V_{as}	L	0.51
Total Q Factor	Q_{ts}	-	0.92		Motor Force Factor	BL	T·m	1.97
Ratio f_s / Q_{es}	F	f_s / Q_{es}	156		Motor Efficiency Factor	β	$(T \cdot m^2) / \Omega$	1.21
Half Space Sensitivity @ 2.83V	dB@2.83V/1m	dB	86.4	+/-1.0 ¹	Voice Coil Former Material	VC _{fm}	-	ASV
Sensitivity @ 1W/1m	1W/1m	dB	82.4	+/-1.0 ¹	Voice Coil Inner Diameter	VC _{id}	mm	19.3
					Gap Height	Gh	mm	3.0
Rated Noise Power (IEC 2685 18.1)	P	W	20		Maximum Linear Excursion	X _{max}	mm	1.0
Test Spectrum Bandwidth	130Hz - 20kHz		12 dB/Oct		Ferrofluid Type	FF	-	N/A
					Transducer Size	-	-	2.5 inch
					Transducer Mass	-	Kg	0.18

1 - Piston Band Sensitivity Tolerance

Frequency and Impedance Response:



F088-0713A