

Model Number: SDS-P830878
Product Line: Peerless Silver

Revision: Rev 1_0
Date: 2-Dec-10

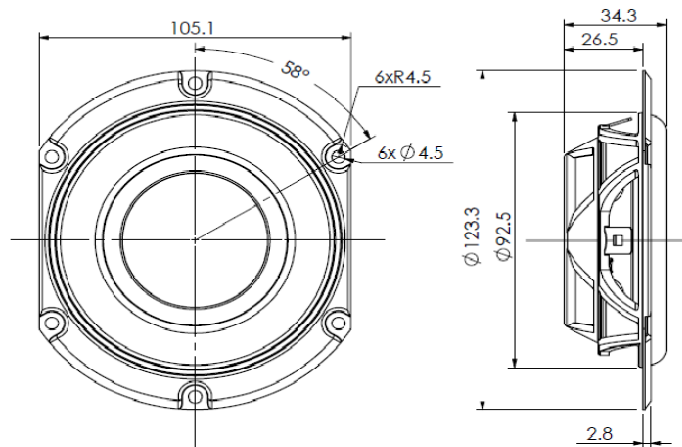


Product Description:

The SDS compact subwoofer family offers low resonant frequency performance, ideally suited for compact sealed enclosures. This 4 inch member of the SDS family is a passive radiator, designed to match up with SDS subwoofers, and features a coated paper cone with rubber surround, and a narrow-profile steel basket shaped to fit into narrow cabinets.



Mechanical 2D Drawing:



Specifications:

DC Resistance	R_{evc}	Ω	N/A	Energy Bandwidth Product	EBP	$(1/Q_{es}) \cdot f_s$	N/A	
Minimum Impedance	Z_{min}	Ω	N/A	Moving Mass	M_{ms}	g	38.5	
Voice Coil Inductance	L_e	mH	N/A	Suspension Compliance	C_{ms}	um/N	791	
Resonant Frequency	f_s	Hz	29	Effective Cone Diameter	D	cm	8.00	
Mechanical Q Factor	Q_{ms}	-	N/A	Effective Piston Area	S_D	cm ²	50.2	
Electrical Q Factor	Q_{es}	-	N/A	Equivalent Volume	V_{as}	L	N/A	
Total Q Factor	Q_{ts}	-	N/A	Motor Force Factor	BL	T·m	N/A	
Ratio f_s / Q_{ts}	F	f_s / Q_{ts}	N/A	Motor Efficiency Factor	β	$(T \cdot m^2) / \Omega$	N/A	
Half Space Sensitivity @ 2.83V	dB@2.83V/1m	dB	N/A	±1.0 ¹	Voice Coil Former Material	VC _m	-	N/A
Sensitivity @ 1W/1m	1W/1m	dB	N/A	±1.0 ¹	Voice Coil Inner Diameter	VC _d	mm	N/A
Rated Noise Power (IEC 2685 18.1)	P	W	N/A	Maximum Linear Excursion	X _{max}	mm	N/A	
Test Spectrum Bandwidth	N/A	N/A	N/A	Ferrofluid Type	FF	-	N/A	
				Transducer Size	-	inch	4	
				Transducer Mass	-	Kg	0.096	

1 - Piston Band Sensitivity Tolerance

Frequency and Impedance Response:

