

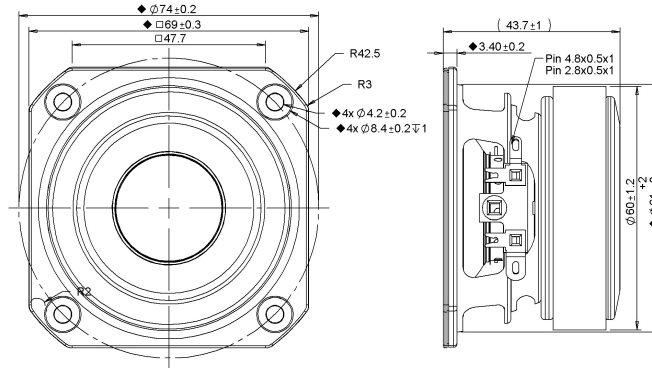
Full Range

This 2.5 inch 4 ohm member of the PLS family sets a high standard for compact full range drivers intended for applications such as television soundbars and compact music systems. Design features in this family include a stiff steel basket with venting under the spider to aid cooling of the motor, a ferrite magnet motor with copper cap to lower coil inductance, providing low distortion at low frequencies and extended high frequency response. A black anodized aluminium cone is employed, along with a black anodized aluminium dust cap coupled directly to the voice coil. Additionally, the cones come equipped with special-designed large roll rubber surrounds, which allow for a dynamic linear response at high excursion.



PLS-65F25AL04-04

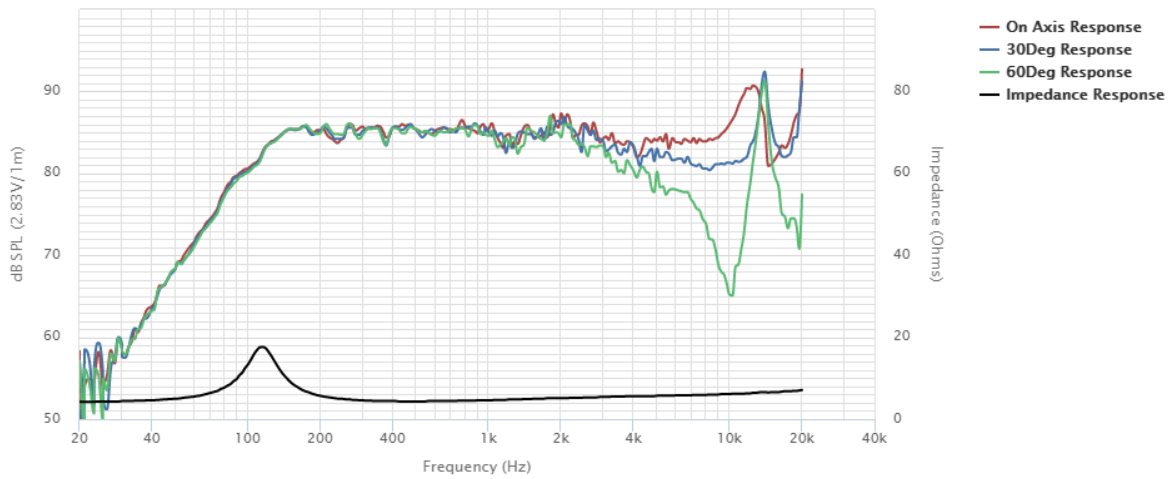
MECHANICAL 2D DRAWING



SPECIFICATIONS

DC Resistance	Revc	Ω	3.61	±5.0%	Moving Mass	Mms	g	2
Minimum Impedance	Zmin	Ω	4.33	±7.5%	Suspension Compliance	Cms	um/N	864
Voice Coil Inductance	Le	mH	0.03	-	Effective Cone Diameter	D	cm	5.2
Resonant Frequency	fs	Hz	120.6	15%	Effective Piston Area	Sd	cm ²	21.2
Mechanical Q Factor	Qms	-	4.14	-	Equivalent Volume	Vas	L	0.55
Electrical Q Factor	Qes	-	0.82	-	Motor Force Factor	BL	T•m	2.53
Total Q Factor	Qts	-	0.69	-	Motor Efficiency Factor	β	(T•m ²)/Ω	1.8
Ratio	fs/Qts	-	176.05	-	Voice Coil Former Material	VCfm	-	ASV
Half Space Sensitivity	dB@2.83V/1m	dB	85.59	±1.01	Voice Coil Inner Diameter	VCd	mm	25.73
Sensitivity	1W/1m	dB	82.9	±1.01	Gap Height	Gh	mm	3
Rated Noise Power (IEC 268-5 18.1)	P	W	25	-	Maximum Linear Excursion	Xmax	mm	1.7
Test Spectrum Bandwidth		12 dB/Oct	100Hz~20KHz	-	Ferrofluid Type	FF	-	-
Energy Bandwidth Product	EBP	(1/Qes)•fs		-	Transducer Size		-	2.5 in
				-	Transducer Mass		Kg	0.34

FREQUENCY & IMPEDANCE RESPONSE



Highcharts.com