

KG Lug / Snap-in Terminal Type,
For Audio Equipment
series



- Designed for high grade audio equipment, giving priority to high fidelity sound quality.
- The variation expansion of the KG series.
 - TYPE- I : The low profile high tone quality grade of the new development electrolyte adoption.
 - TYPE- II : The center grade that the best sound is provided electrode foil, with the multiple use.
 - TYPE- III : The highest tone quality grade by the low drag the gold plating terminal adoption.
- The sound quality that it meets the high tone quality needs of the DVD age.

Super Through
High Grade
Gold Tune

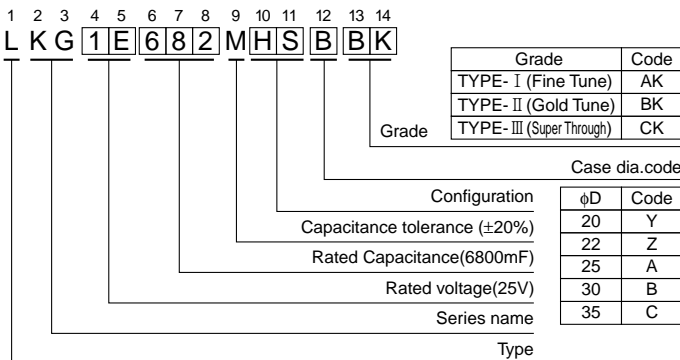


Specifications

Item	Performance Characteristics																
Category Temperature Range	- 40 ~ +85°C																
Rated Voltage Range	16 ~ 100V (TYPE- I • TYPE- II), 50~100V (TYPE- III)																
Rated Capacitance Range	680 ~ 33000μF																
Capacitance Tolerance	± 20% at 120Hz, 20°C																
Leakage Current	After 5 minutes' application of rated voltage, leakage current is not more than $3\sqrt{CV}$ (μA), [C:Rated Capacitance(μF),V:Voltage]																
tan δ	Measurement frequency : 120Hz, Temperature : 20°C																
	<table border="1"> <thead> <tr> <th>TYPE</th> <th colspan="2">TYPE- I • TYPE- II</th> <th colspan="2">TYPE- III</th> </tr> </thead> <tbody> <tr> <td>Rated voltage (V)</td> <td>16</td> <td>25 • 63</td> <td>80 • 100</td> <td>50 • 63</td> <td>80 • 100</td> </tr> <tr> <td>tan δ</td> <td>0.35</td> <td>0.3</td> <td>0.25</td> <td>0.22</td> <td>0.2</td> </tr> </tbody> </table>	TYPE	TYPE- I • TYPE- II		TYPE- III		Rated voltage (V)	16	25 • 63	80 • 100	50 • 63	80 • 100	tan δ	0.35	0.3	0.25	0.22
TYPE	TYPE- I • TYPE- II		TYPE- III														
Rated voltage (V)	16	25 • 63	80 • 100	50 • 63	80 • 100												
tan δ	0.35	0.3	0.25	0.22	0.2												
Stability at Low Temperature	Measurement frequency : 120Hz																
	<table border="1"> <thead> <tr> <th>Rated voltage (V)</th> <th>16~100</th> </tr> </thead> <tbody> <tr> <td>Impedance ratio ZT/Z20(MAX.)</td> <td>Z-25°C/Z+20°C : 4 Z-40°C/Z+20°C : 12</td> </tr> </tbody> </table>	Rated voltage (V)	16~100	Impedance ratio ZT/Z20(MAX.)	Z-25°C/Z+20°C : 4 Z-40°C/Z+20°C : 12												
Rated voltage (V)	16~100																
Impedance ratio ZT/Z20(MAX.)	Z-25°C/Z+20°C : 4 Z-40°C/Z+20°C : 12																
Endurance	<p>After 1000 hours application of rated voltage at 85°C, capacitors meet the characteristic requirements listed at right.</p> <table border="1"> <tbody> <tr> <td>Capacitance change</td> <td>Within ±20% of initial value</td> </tr> <tr> <td>tan δ</td> <td>200% or less of initial specified value</td> </tr> <tr> <td>Leakage current</td> <td>Initial specified value or less</td> </tr> </tbody> </table>	Capacitance change	Within ±20% of initial value	tan δ	200% or less of initial specified value	Leakage current	Initial specified value or less										
Capacitance change	Within ±20% of initial value																
tan δ	200% or less of initial specified value																
Leakage current	Initial specified value or less																
Shelf Life	After leaving capacitors under no load at 85°C for 1000 hours, they meet the specified value for endurance characteristics listed above.																
Marking	Printed with gold color letter on black sleeve																

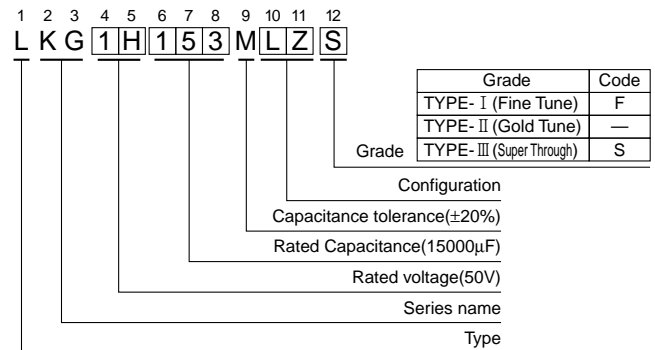
Type numbering system (Snap-in terminal type)

(Example : Gold Tune 25 V 6800μF, Dia.φ30)

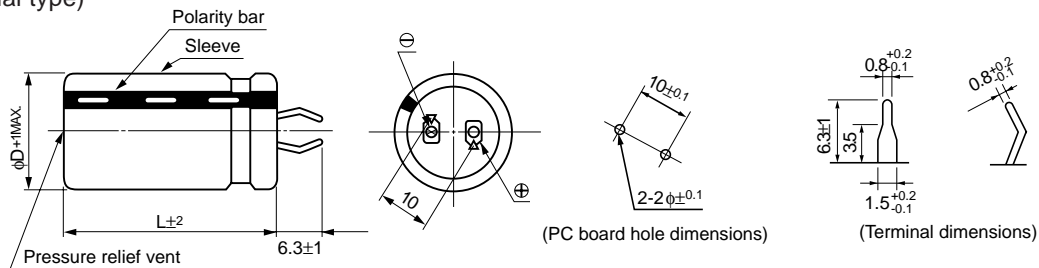


Type numbering system (Lug terminal type)

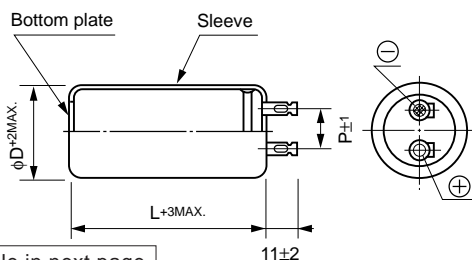
(Example : Super Through 50 V 15000μF)



(Snap-in terminal type)

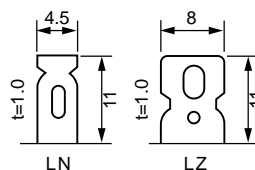


(Lug terminal type)



Configuration

φ 35 ~ φ 40 φ 50 ~ φ 76



φD	35	40	50	63	76
P	14	14	18	25	25
Configuration	LN		LZ		

CAT.8100R

■ Dimension table in next page.



■Dimensions (Snap-in Terminal Type : Gold Tune)

D × L (mm)

Cap.(μF)	Code	Grade	63V (1J)				80V (1K)				100V (2A)							
			φ20	φ22	φ25	φ30	φ35	φ20	φ22	φ25	φ30	φ35	φ20	φ22	φ25	φ30	φ35	
680	681	TYPE- I											20×30 1.70	22×25 1.75				
		TYPE- II											20×40 2.15	22×35 2.15	25×30 2.10			
		TYPE- III	20×30 1.75	22×25 1.75				20×45 2.10	22×35 2.25	25×30 2.15				22×45 2.65	25×35 2.70			
820	821	TYPE- I		22×20 1.30		30×20 1.90		20×25 1.70		25×20 1.65			20×35 1.85	22×30 1.85	25×25 1.80	30×20 1.90		
		TYPE- II	20×25 1.65		25×20 1.65		20×35 2.05	22×30 2.05	25×25 2.00	30×20 2.05		20×45 2.40	22×40 2.40		30×25 2.35	35×20 2.45		
		TYPE- III	20×35 1.90	22×30 1.90	25×25 1.85		20×50 2.40	22×40 2.45	25×35 2.35	30×25 2.40	35×20 2.55		22×50 3.00	25×40 3.00	30×30 3.00	35×25 2.85		
1000	102	TYPE- I	20×25 1.45				20×30 1.80	22×25 1.85					20×40 2.05					
		TYPE- II	20×30 1.85	22×25 1.85			20×45 2.20	22×35 2.20	25×30 2.15				35×20 2.10		22×45 2.70	25×35 2.75		
		TYPE- III	20×40 2.10	22×35 2.05	25×30 2.00		22×50 2.60	25×40 2.60	30×30 2.60						25×50 3.10	30×35 3.30	35×30 3.05	
1200	122	TYPE- I			25×20 1.65		20×35 1.95	22×30 1.95	25×25 1.90				20×45 2.30	22×40 2.20	25×30 2.35	30×25 2.20	35×20 2.30	
		TYPE- II	20×35 1.95	22×30 1.95	25×25 1.90	30×20 1.95	20×50 2.45	22×40 2.45	25×35 2.30	30×25 2.40			22×50 3.00	25×40 2.75	30×30 3.05	35×25 2.90		
		TYPE- III	20×45 2.35	22×40 2.25		30×25 2.20	35×20 2.30			25×45 2.85	30×35 2.80	35×25 2.95			30×40 3.60	35×35 3.30		
1500	152	TYPE- I	20×30 1.90	22×25 1.90			20×40 2.20	22×35 2.15	25×30 2.10				20×50 2.65	22×45 2.55	25×35 2.60			
		TYPE- II	20×40 2.15	22×35 2.15	25×30 2.10			22×50 2.60	25×40 2.65	30×30 2.65					25×50 3.20	30×35 3.40	35×30 3.20	
		TYPE- III		22×45 2.60	25×35 2.65				25×50 3.30	30×40 3.20	35×40 3.25					30×50 3.90	35×40 3.75	35×30 3.40
1800	182	TYPE- I	20×35 2.05	22×30 2.00	25×25 2.00	30×20 2.05	20×45 2.45	22×40 2.35				30×25 2.40	35×20 2.50	22×50 2.85	25×40 2.85	30×30 2.90	35×25 2.75	
		TYPE- II	20×45 2.35	22×40 2.35		30×25 2.35	35×20 2.45			25×45 2.85	30×35 2.85	35×25 3.00			30×40 3.70	35×35 3.40	35×25 2.75	
		TYPE- III		22×50 2.90	25×40 2.90	30×30 2.90	35×25 2.75				30×45 3.55	35×35 3.50				35×45 4.15		
2200	222	TYPE- I	20×40 2.25	22×35 2.20	25×30 2.15			22×45 2.70	25×35 2.75	30×30 2.55				25×45 3.20	30×35 3.20	35×30 3.00		
		TYPE- II		22×45 2.70	25×35 2.75	30×30 2.50			25×50 3.25	30×40 3.15	35×30 3.25				30×50 3.95	35×40 3.80	35×30 3.00	
		TYPE- III			25×45 3.25	30×35 3.20				30×50 4.05	35×40 3.90					35×50 4.75		
2700	272	TYPE- I	20×50 2.40	22×40 2.45	25×35 2.35	30×25 2.50						30×35 2.80	35×25 3.00			30×40 3.55	35×35 3.25	
		TYPE- II			25×45 2.80	30×35 2.75	35×25 2.95					30×45 3.60	35×35 3.55			35×45 4.30	35×45 4.30	
		TYPE- III				30×45 3.30	35×30 3.65						35×45 4.45					
3300	332	TYPE- I		22×45 2.80	25×40 2.60	30×30 2.70				25×50 3.25	30×40 3.15	35×30 3.20				30×50 3.75		
		TYPE- II			25×50 3.20	30×40 3.20	35×30 3.15				30×50 4.10	35×40 3.95				35×50 4.95		
		TYPE- III				30×50 3.80	35×35 4.00					35×50 5.05						
3900	392	TYPE- I			25×45 2.85	30×35 2.85	35×25 3.00					30×45 3.45	35×35 3.40				35×40 4.30	
		TYPE- II				30×45 3.35	35×35 3.35					35×45 4.35						
		TYPE- III					35×40 4.30											
4700	472	TYPE- I			25×50 3.20	30×40 3.10	35×30 3.20					30×45 3.85	35×40 3.75				35×50 4.50	
		TYPE- II				30×50 3.80							35×50 4.85					
		TYPE- III					35×50 4.50											
5600	562	TYPE- I				30×45 3.45	35×35 3.40						35×45 4.10					
		TYPE- II					35×40 4.35											
6800	682	TYPE- I				30×50 3.90	35×40 3.75						35×50 4.65					
		TYPE- II					35×50 4.60											
8200	822	TYPE- I					35×45 4.20											
10000	103	TYPE- I					35×50 4.80										Case size Rated	

Rated ripple (A rms) at 85°C 120 Hz

■Dimensions (Lug Terminal Type : Gold Tune, Super Through)

D × L (mm)

Cap.(μF)	Code	Grade	50 (1H)	63 (1J)	80 (1K)	100 (2A)				
6800	682	TYPE- I				40×68				
		TYPE- II			35×68	4.3	40×100	6.1	50×80	6.2
		TYPE- III	40×80	5.5	40×100	6.1	50×80	6.7	50×100	7.3
10000	103	TYPE- I				40×68	5.4	40×100	6.0	
		TYPE- II	35×80	4.6	40×80	4.9	50×80	6.2	50×100	6.9
		TYPE- III	40×100	6.1	50×80	6.2	63×80	7.6	63×100	8.3
15000	153	TYPE- I				40×68	5.6	40×100	7.4	
		TYPE- II	40×80	6.1	40×100	6.7	50×100	8.4	63×80	8.7
		TYPE- III	50×100	8.4	63×80	8.7	63×100	10.1	76×100	11.3
22000	223	TYPE- I	40×68	5.4	40×100	6.6	50×100	7.8	63×80	9.7
		TYPE- II	50×80	8.3	50×100	9.1	63×100	11.6	76×100	12.9
		TYPE- III	63×80	10.5	63×100	11.6	76×100	13.7	Case size	Rated ripple

Rated ripple (A rms) at 85°C 120 Hz