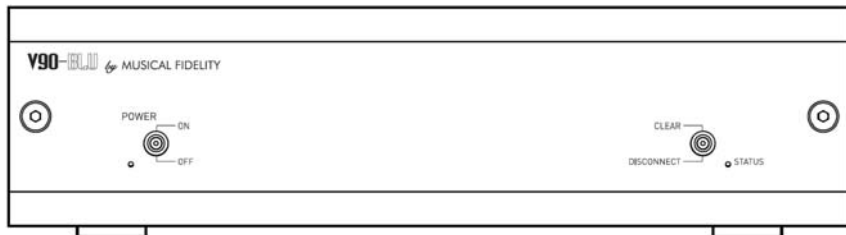


V90-BLU Bluetooth Link

Instructions



USE AND FEATURES

To use the V90-Blue as a hi-fi Bluetooth receiver simply plug the analogue outputs into existing an integrated, pre- or power amplifier input e.g. AUX. The unit gives a standard 300mV nom line output and should work with all reputable equipment.

Note: If used directly into a power amplifier BEWARE the volume setting is then controlled by the Bluetooth sending device and this volume must be carefully checked and set accordingly!

If digital input/output is required, this is also catered for, in both coaxial and optical forms. The unit accepts and passes through up to 192kHz signals on coaxial, up to 96kHz on optical. Either coaxial or optical type can be connected into unoccupied digital inputs/outputs on a suitable Digital to Analogue Converter or home theatre receiver, etc.

To use the V90-Blue as a hi-fi Bluetooth feed-in simply break the existing setup at a convenient point, e.g. between preamp and power amplifier. This applies for both analogue or digital signals. Plug the outputs from preamplifier into V-90 BLU inputs and then the V90-BLU outputs should be connected to the power amplifier inputs (see note above). The unit will then automatically switch over to Bluetooth as soon as a connected device is present and play the music coming through its Bluetooth function.

STATUS LED

The status LED is provided so it is possible to see when the connection is active. It has two states when the V90-BLU is switched on:

ORANGE - No connection

GREEN - Connection made *and* signal playing

PRIORITY SWITCH

The two DIGITAL inputs have a priority switch to set which digital input is to be preferred over the other. If for example the source on OPTICAL input is to be preferred, move the switch in the direction of the optical inputs. If the priority input has no signal present the unit will switch to the other input to see if a signal is present. If no signal is found, the unit will alternate between the two digital inputs until a signal is connected/appears.

Connecting and playing a Bluetooth device takes top priority and therefore will override the priority switch (as well as the analogue input) at all times.

CLEAR/DISCONNECT SWITCH

The V90-BLU can remember up to 16 past connected devices.

A momentary type toggle switch is provided to disconnect and/or "forget" past connected devices.

To DISCONNECT CURRENT PLAYING DEVICE (but not forget it), drop the switch to the "down" position for approximately 1 second and release, allowing it to return to centre position. The STATUS LED will flash **RED** briefly to acknowledge the action.

To DISCONNECT CURRENT PLAYING DEVICE (and forget it) lift the switch to the "up" position for approximately 1 second and release, allowing it to return to centre position. The STATUS LED will flash **RED** briefly to acknowledge the action.

To FORGET ALL PAST CONNECTED devices, make sure no device is connected; momentarily lift the switch to the "up" position and release, allowing it to return to centre position.

Introduction

Thank you for purchasing the V90-BLU Bluetooth receiver.

It is designed to add high quality Bluetooth connectivity to any existing high fidelity equipment. This allows material stored on devices such as Bluetooth-capable mobile phones to be controlled and played back through an existing hi-fidelity setup. It can also function as a neutral pass-through for both digital and analogue signals when the Bluetooth source is not in use.

We sincerely hope that it will bring you many years of outstanding listening pleasure.

Installation Precautions

Your new V90-BLU is designed and built to provide trouble-free performance, but as with all electronic devices, it is necessary to observe a few precautions:

Do not use the V90-BLU near water. The unit must not be exposed to dripping or splashing liquids.

Keep the V90-BLU away from heat sources such as radiators. No naked flame sources should be placed on the unit.

Product Note:

This Hi-fi product has been tested to ensure that its operation is not adversely affected by normal background levels of Radio Frequency Interference (R.F.I.), and that it does not itself generate excessive amounts of interference. However, if a problem persists, please contact your Musical Fidelity agent.

The V90-BLU will operate in accordance with its specifications within the following environmental range:

Temperature 5 to 45 degrees Celsius

Humidity 10 to 90% non condensing

Connections

All connections must be made before the unit is plugged in. Always switch off the equipment attached to the V90-BLU before connecting or disconnecting power, changing leads or inputs.

Inputs

Choose which inputs the unit will be using.

Digital optical - Use a normal TOSLINK cable (not supplied) for best quality connection from other digital audio devices.

Digital coaxial - Use a normal coaxial cable (not supplied) for best quality connection from other digital audio devices.

Analogue - Use standard RCA cables to connect analogue signals from other sources.

Aerial - Plug in supplied aerial

Outputs

Choose which outputs the unit will be using.

Note: When using the digital or analogue inputs, presence of a valid Bluetooth signal will cause the unit to automatically switch to playing the Bluetooth music.

Also note the V90 Bluetooth does not convert its digital inputs into analogue outputs - nor vice versa

Digital optical - Use a normal TOSLINK cable (not supplied) for best quality connection from other digital audio devices.

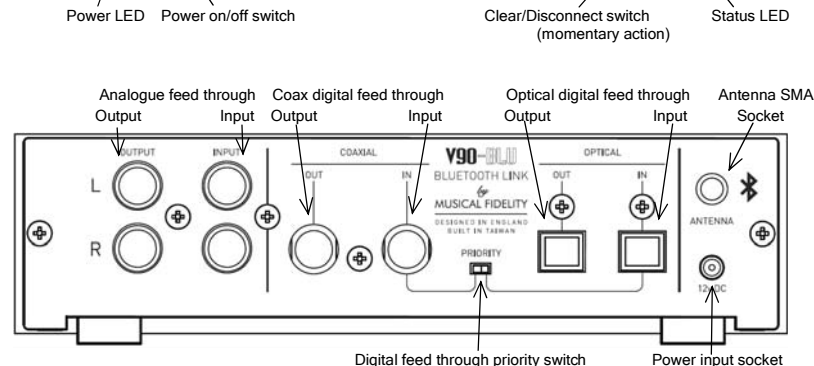
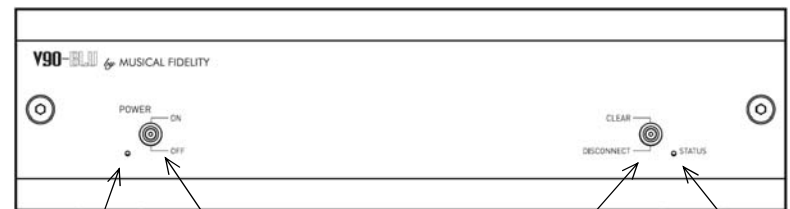
Digital coaxial - Use a normal coaxial cable (not supplied) for best quality connection from other digital audio devices.

Analogue - Use standard RCA cables to connect analogue signals from other sources.

Power

Plug the unit into its power supply and plug the power supply into a convenient wall mains outlet.

The unit may also be powered from the V90 AMP DC OUTPUT socket using the supplied DC connecting lead.



BLUETOOTH usage note.

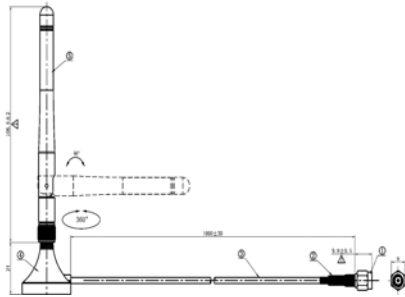
The range of the built-in Bluetooth receiver is dependant on the connected device, e.g. the mobile phone or Bluetooth enabled computer.

Position the Bluetooth antenna as high and clear of obstructions as possible to maximize range. Use the supplied antenna base as required. Nearby radio-frequency interference can also have an effect on Bluetooth. Make sure the unit and especially the antenna are positioned as far away as possible from any potential sources of electrical and electro-magnetic interference, as well as other Bluetooth or Wi-Fi devices

The device contained within this unit is **Class 2** which works up to 90ft. (30 Meters) assuming clear line of sight with a similarly specified **Class 2** transmitter devices. Walls, partitions and local interference will reduce this range somewhat.



If the device (phone, computer, etc) to be linked has a different class Bluetooth device that can manage e.g. only 15ft. (5 Meters), then the link will be limited to the SHORTER of the two ranges, i.e. 15ft. (5 Meters).

Bluetooth Antenna



The Bluetooth antenna pictured is supplied with the unit. The antenna is supplied as a two piece antenna-and-base assembly.

If the base is not required, the antenna part may be unscrewed from the base and re-attached directly to the unit. To do this, grip the knurled nut towards the top of the base and firmly twist anticlockwise. The antenna will eventually detach cleanly from the base and reveal another connector for the antenna input at the bottom of the antenna itself. Please keep the base in a safe place for future use!

Specifications:	Bluetooth Radio Specification v2.1 + EDR
	aptX® 16 bit 44.1/48 kHz
	Carrier frequency 2.402 to 2.480 GHz ISM band
	Transmission power -2dBm (min) to +2dBm (max)
	Class 2 up to 30M (90ft) range
	Receiver IF 1.5 MHz centre frequency
	Antenna socket type RP-SMA, 50 ohms

Bluetooth audio specification	
THD	0.01% "A" wtd.
Signal to noise	80dB"A" wtd.
Separation	78dB
AF Freq. response	+0, -1dB
Bluetooth digital out	96kHz upsampled
Loop digital output	same as digital input
Loop line output	same as line input

Connections:	Line level input:	1 pair RCA connectors	Line level 300mV nominal
	Line level output:	1 pair RCA connectors	Line level 300mV nominal
	Coaxial digital input	1 RCA connector	32 to 192kHz sample rate
	Coaxial digital output	1 RCA connector	32 to 192kHz sample rate
	Optical input	1 TOSLINK style receptacle	32 to 96kHz sample rate
	Optical output	1 TOSLINK style receptacle	32 to 96kHz sample rate
	Power input	1.3mm DC power socket	6-12V DC regulated
Dimensions:	Length	117mm 4 3/8"	including terminals and volume
	Width	170mm 6 3/4"	
	Height	47mm 1 1/2"	including "feet"
Weight:	Unit	590g 1 1/4 lbs net	1.05Kg 2 1/4 lbs Gross
Accessories (supplied)	Power lead	2 way 1.3mm DC plug	1 off
	Bluetooth Aerial	(inc. base) 50 ohm SMA	1 off
	Leaflet	V90-BLU	Instructions 1 off

Musical Fidelity reserves the right to make improvements which may result in specification or feature changes without notice. E&OE.

Manual issue 1 - 18/11/13



Item disposal information for Europe



DISPOSAL

The crossed out wheeled bin label that appears on the back panel of the product indicates that the product must not be disposed of as normal household waste. To prevent possible harm to the environment please separate the product from other waste to ensure that it can be recycled in an environmentally safe manner. Please contact your local government office or your retailer for available collection facilities.



DISPOSITION

La poubelle sur roulettes barrées X, qui apparaît en logo sur le panneau arrière du produit, indique que celui-ci ne doit pas être traité comme un déchet domestique commun. Afin de protéger l'environnement, ce produit électronique devra être géré séparément et donc recyclé selon les nouvelles normes Européennes Rohs concernant les déchets d'appareils électroniques. Prière de contacter les services concernés gouvernementaux ou votre point de vente pour l'élimination et l'enlèvement de déchets électroniques équipés de composants électroniques.



DISPOSAL

La etiqueta cruzada hacia fuera del compartimento que aparece en el panel trasero del producto indica que el producto no se debe reciclar como basura normal de la casa. Para prevenir daños posible al ambiente separe por favor el producto de otras basura para asegurarse de que puede ser reciclada de una manera ambientalmente segura. Entre en contacto por favor a su oficina gubernamental local o a su minorista para las instalaciones disponibles de la colección.



RIFIUTI

L'etichetta del cassonetto barrato riportato sul retro dell'apparecchio indica che il prodotto non deve essere smaltito tramite la procedura normale di smaltimento dei rifiuti domestici. Per evitare eventuali danni all'ambiente, separare questo prodotto da altri rifiuti domestici in modo che possa venire riciclato in base alle procedure di rispetto ambientale. Per maggiori dettagli sulle aree di raccolta disponibili, contattate l'ufficio governativo locale od il rivenditore del prodotto.



FACHGEBERECHTE ENTSORGUNG:

Das auf der Geräterückseite angebrachte Label deutet darauf hin, dass das Produkt nicht mit konventionellem Hauskehricht entsorgt werden darf. Um Schäden und Verschmutzungen an Umwelt und Mensch zu vermeiden, muss das Produkt fachgerecht entsorgt und vom anderem Abfall getrennt werden. Wenden Sie sich bei Fragen hierzu an Ihren Fachhändler oder an eine öffentliche Informationsstelle.



AFVAL

Het label op de achterzijde van dit apparaat, een afvalbak op wielen met een kruis doorgehaald, geeft aan dat dit apparaat niet samen met gewoon huishoudafval mag worden weggegooid. Om mogelijke schade aan onze leefomgeving te voorkomen dient dit apparaat, gescheiden van gewoon huishoudelijk afval, te worden afgevoerd zodat het op een milieuvriendelijke manier kan worden gerecycled. Neem voor beschikbare inzamelplaatsen contact op met uw gemeentelijke reinigingsdienst of met uw elektronica leverancier.



HÄVITÄMINEN

Yröskäsitä jätettäessä kuvassa tarra tuoteen takalevyssä kertoo, että tuotetta ei saa käsitellä normaalina talousjätteenä. Ympäristön suojelimeksi on tuote pidettävä erillään muusta jätteestä ja se on kierrätettävä ekologisesti kestäväällä tavalla. Ota yhteyttä laitteen myyjään ja Pirkanmaan Ympäristökeskukseen lähimmän kiertämyskeskuksen käyttämiseksi.



AFSKAFNING

Logoet med en skraldespand med kryds på bagsiden af apparatet indikerer at dette produkt ikke må kasseres som normal husholdningsaffald. For at forebygge mulig skade på miljøet, bedes De separere dette produkt fra andet affald, og sikre at det bliver genbragt på en miljørigtig måde. Kontakt venligst de lokale myndigheder eller din forhandler for oplysning om nærmeste tilgængelige opsamlingssted for elektronikaflald.



ΜΑΚΑΚΑΣΙΑ ΑΠΟΡΡΙΨΗ

ΤΟ ΞΗΜΑ ΜΕ ΤΟΝ ΔΙΑΓΡΑΜΜΕΝΟ ΤΡΟΧΗΛΑΤΟ ΚΑΛΩ ΤΟ ΞΗΜΑ ΜΕ ΤΟΝ ΔΙΑΓΡΑΜΜΕΝΟ ΤΡΟΧΗΛΑΤΟ ΚΑΛΩ ΑΠΟΡΡΙΨΑΤΟΝ ΣΤΗΝ ΠΙΣΩ ΤΟΥ ΜΗΧΑΝΗΜΑΤΟΣ ΔΗΛΩΝΕΙ ΟΤΙ ΤΟ ΠΡΟΪΟΝ ΑΥΤΟ ΔΕΝ ΠΡΕΠΕΙ ΝΑ ΔΙΑΧΕΙΡΙΣΘΕΙ ΣΑΝ ΣΥΝΘΕΣΙΜΟ ΟΙΚΙΑΚΟ ΑΠΟΒΛΗΤΟ. ΠΡΟΣ ΑΠΟΦΥΓΗ ΕΝΔΕΧΟΜΕΝΗΣ ΕΠΙΒΛΨΗΣ ΤΟΥ ΠΕΡΙΒΑΛΛΟΝΤΟΣ, ΣΕΒΑΣΤΕ ΤΟ ΠΡΟΪΟΝ ΑΥΤΟ ΩΣ ΑΛΛΑ ΑΠΟΡΡΙΨΑΤΑ ΩΣΤΕ ΝΑ ΕΛΘΟΥΝ ΣΤΗΝ ΑΝΑΚΥΚΛΩΣΗ ΤΟΥ ΜΕ ΤΟΝ ΠΡΕΤΟΝΤΑ ΤΡΟΠΟ. ΠΑΡΑΚΑΛΟΥΜΕ ΝΑ ΕΠΙΚΟΙΝΩΝΗΣΕΤΕ ΜΕ ΤΗΝ ΤΟΠΙΚΗ ΥΠΗΡΕΣΙΑ ΑΝΑΚΥΚΛΩΣΗΣ Η ΜΕ ΤΟ ΚΑΤΑΣΤΗΜΑ ΑΓΟΡΑΣ ΓΙΑ ΠΕΡΙΣΣΟΤΕΡΕΣ ΛΕΠΤΟΜΕΡΕΙΕΣ.

