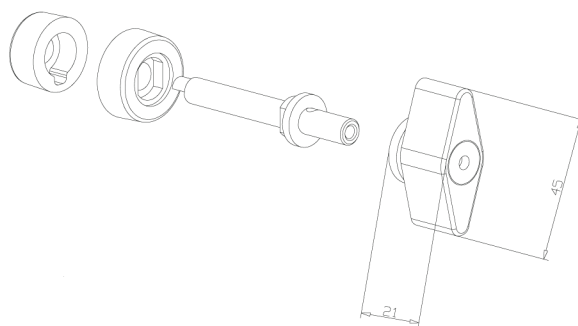
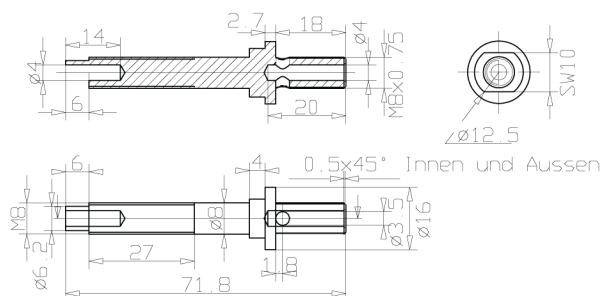
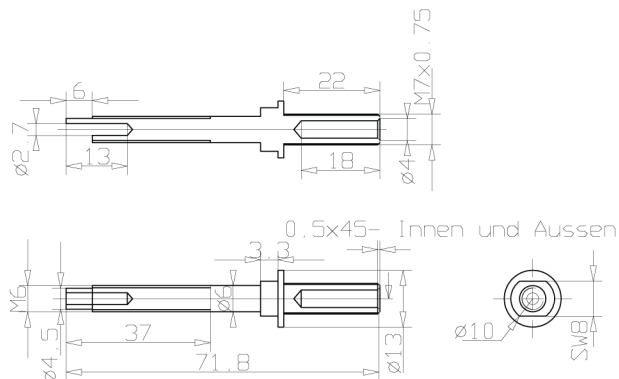


Copper terminal M6 isometric representation



Copper terminal M8 isometric representation



polcu6r

Binding posts 6 mm, copper, insulation red

Body [mm]

68 * 20 * 20

polcu6rg

Binding posts 6 mm, copper, gold-plated, insulation red

Body [mm]

68 * 20 * 20

polcu6rp

Binding posts 6 mm, copper, platinised, insulation red

Body [mm]

68 * 20 * 20

polcu6s

Binding posts 6 mm, copper, insulation black

Body [mm]

68 * 20 * 20

polcu6sg

Binding posts 6 mm, copper, gold-plated, insulation black

Body [mm]

68 * 20 * 20

polcu6sp

Binding posts 6 mm, copper, platinised, insulation black

Body [mm]

68 * 20 * 20

polcu8r

Binding posts 8 mm, copper, insulation red

Body [mm]

76 * 45 * 27

polcu8rg

Binding posts 8 mm, copper, gold-plated, insulation red

Body [mm]

76 * 45 * 27

polcu8rp

Binding posts 8 mm, copper, platinised, insulation black

Body [mm]

76 * 45 * 27

polcu8s

Binding posts 8 mm, copper, insulation black

Body [mm]

76 * 45 * 27

polcu8sg

Binding posts 8 mm, copper, gold-plated, insulation black

Body [mm]

76 * 45 * 27

polcu8sp

Binding posts 8 mm, copper, platinised, insulation red

Body [mm]

76 * 45 * 27