

HTFS 3/E

Speaker stands

User Guide



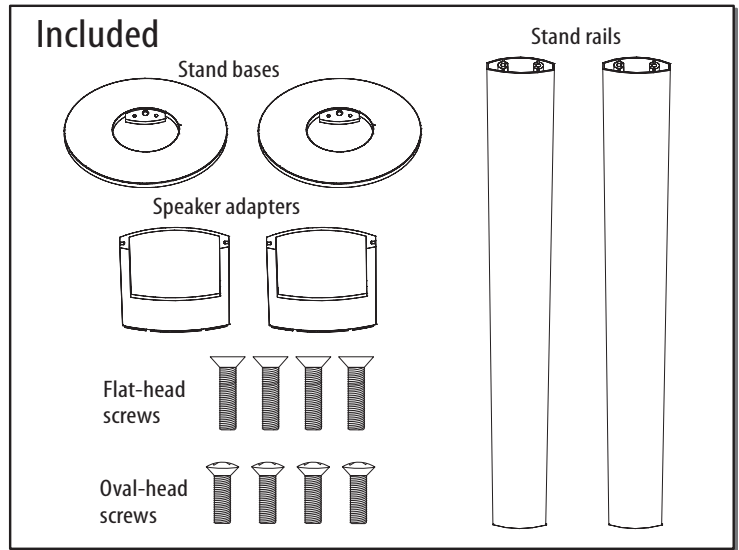
harman/kardon®
Designed to Entertain.™

HTFS 3/E

Speaker stands

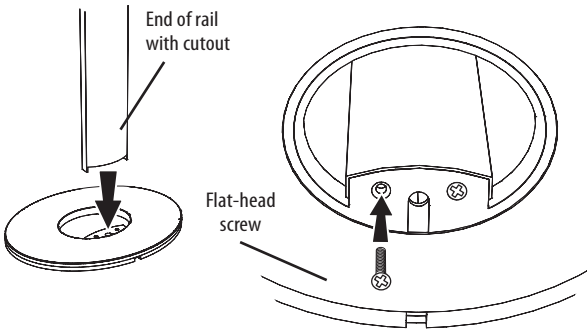
ASSEMBLY INSTRUCTIONS

Note: HTFS 3/E stands are for use with HKTS 20, HKTS 30, HKTS 60 and HKTS 200 satellite speakers (not included)

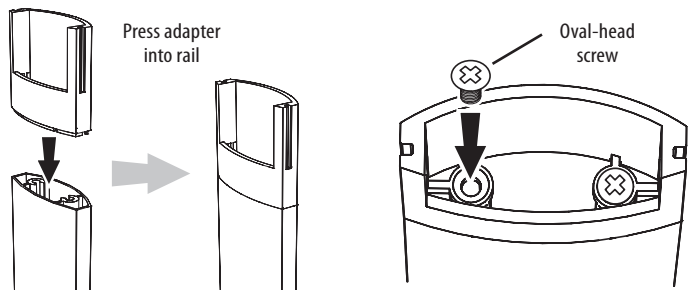


ASSEMBLY

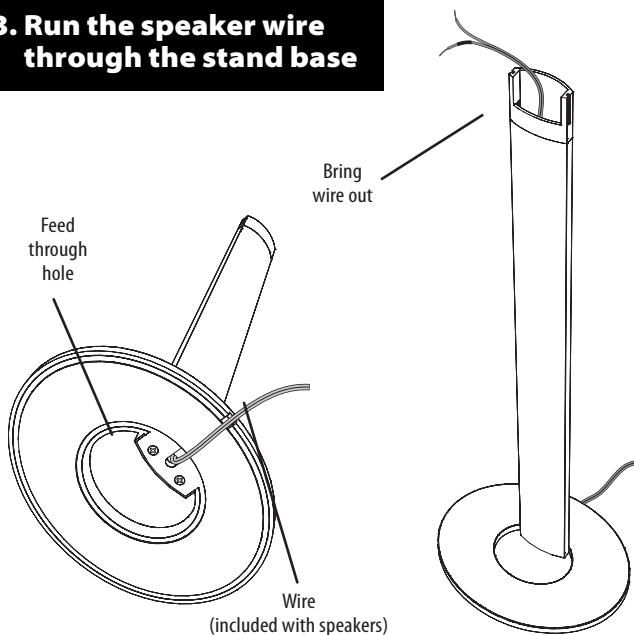
1. Attach a stand rail to a stand base



2. Attach a speaker adapter to the stand rail

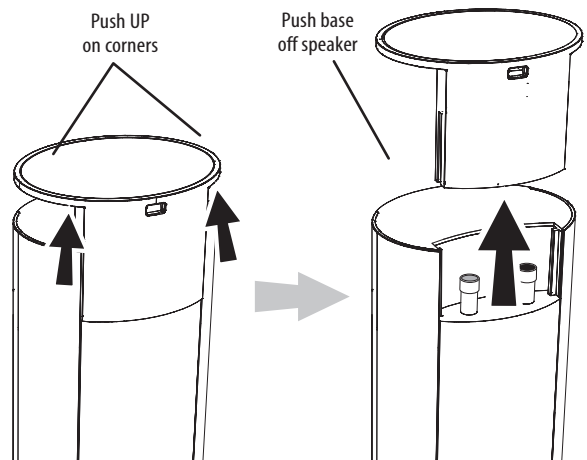


3. Run the speaker wire through the stand base



4. Remove the speaker's base

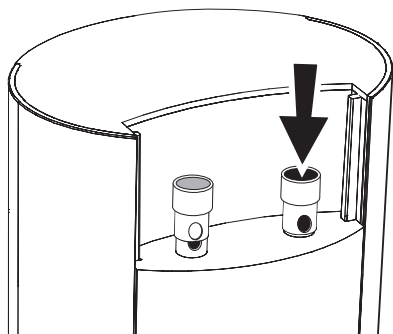
HKTS 20 / HKTS 30 / HKTS 60 / HKTS 200 Speakers



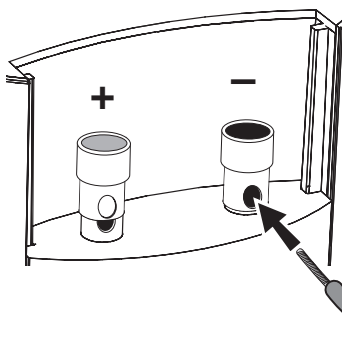
5. Connect the speaker wire to the speaker

HKTS 20 / HKTS 30 / HKTS 60 / HKTS 200 Speakers

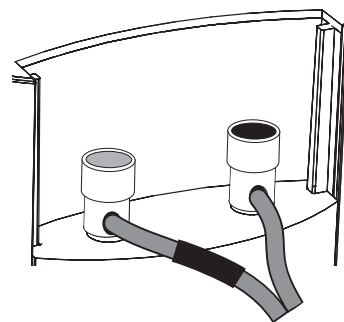
A. Push cap down



B. Insert bare wire

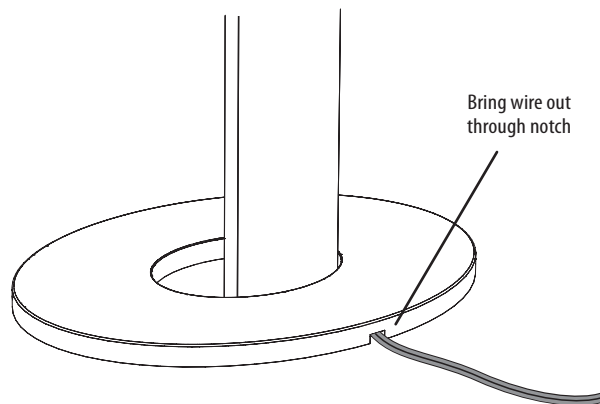
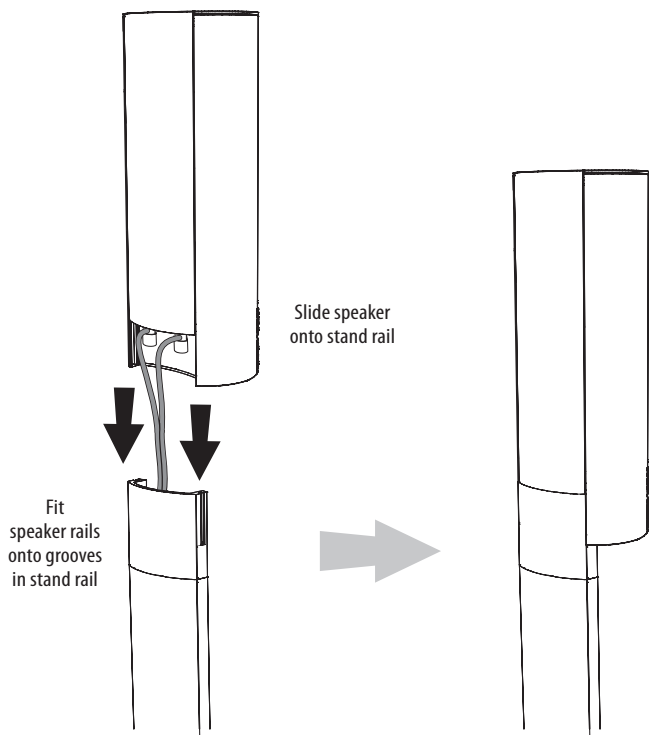


C. Release cap



6. Attach the speaker to the stand rail

7. Bring the speaker wire out of the base



Features, specifications and appearance are subject to change without notice. Harman Kardon is a trademark of Harman International Industries, Incorporated, registered in the United States and/or other countries. Designed to Entertain is a trademark of Harman International Industries, Incorporated.

H Harman International

©2009 Harman International Industries, Incorporated. All rights reserved.

Harman International

Harman Consumer Group, Inc.
8500 Balboa Boulevard, Northridge, CA 91329 USA
516.255.4545 (USA only)

www.harmanardon.com

© 2009 Harman International Industries,
Incorporated.

All rights reserved. Tous droits réservés.

Part No. 444020-001, 444021-001