

# GENELEC®



Genelec's new AIC25 Active In-Ceiling loudspeaker system consists of a two-way loudspeaker enclosure and a matched remote amplifier module RAM2. It has been designed to the same rigorous standards as Genelec's high-performance HT series active Home Theater loudspeakers, ensuring that no other in-ceiling loudspeaker of similar size can match the low distortion, neutrality and sound pressure capability of the AIC25.

The AIC25 loudspeaker has a 5" bass driver loaded with a 4.7 liter enclosure and a 3/4" treble driver giving a precise and uncolored acoustic response. The RAM2 remote amplifier module includes an active crossover circuitry and 40 + 40 W power amplifiers for the bass and treble driver

respectively. RCA and balanced XLR line level input connectors and adjustable input sensitivity ensure convenient connection to all types of decoders. Connectors for remote power/standby mode switching are also provided. The active crossover unit allows accurate Bass Tilt, Bass Roll-Off and Treble Tilt adjustments for fine-tuning the sound balance to suit various acoustic conditions and listener tastes.

The solid, carefully dimensioned enclosure gives far better control of bass reproduction than typical in-ceiling loudspeakers. The loudspeaker enclosure requires only 158 mm (6<sup>3</sup>/<sub>16</sub>" ) of free depth inside the ceiling structure and can easily be retrofitted to existing construction and the visible parts of the loudspeaker can be

painted to match the colour of the ceiling.

The RAM2 amplifier module can be rack mounted with its dedicated Rack Mount Kit (optional) or placed on a shelf or into a cabinet. The wiring between the amplifier module and loudspeaker can be made of standard 18 to 10 gauge 4-conductor wire. Expensive proprietary cables are not needed. Each loudspeaker/amplifier combination has been carefully tested and matched together before delivery for maximum accuracy.

Visit Genelec's Home Theater website [www.genelec-ht.com](http://www.genelec-ht.com) for more information of Genelec's Home Theater loudspeaker line.

# AIC25 Data Sheet

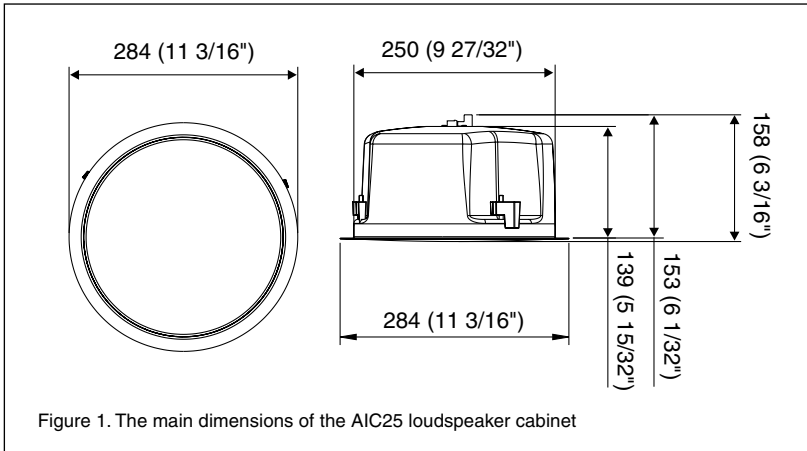


Figure 1. The main dimensions of the AIC25 loudspeaker cabinet

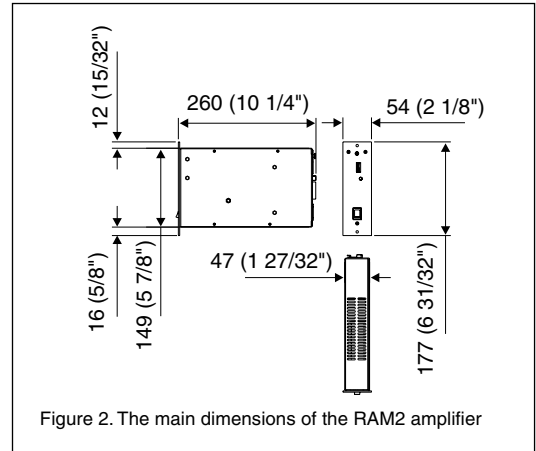


Figure 2. The main dimensions of the RAM2 amplifier

## SYSTEM SPECIFICATIONS

	AIC25
Lower cut-off frequency, -3 dB	≤ 68 Hz
Upper cut-off frequency, -3 dB	≥ 20 kHz
Free field frequency response	70 Hz – 18 kHz (± 2.5 dB)
Maximum short term sine wave acoustic output on axis in half space, averaged from 100 Hz to 3 kHz	@ 1 m ≥ 100 dB SPL
Maximum peak acoustic output per pair with music material	@ 1 m ≥ 110 dB SPL
Self generated noise level in half space at 1 m on axis (A-weighted)	≤ 10 dB
Harmonic distortion at 85 dB SPL at 1 m on axis Freq: 70...200 Hz > 200 Hz	< 3% < 1%
Drivers Bass Treble	130 mm (5") cone 19 mm (3/4") metal dome
Weight Loudspeaker cabinet Amplifier	3.0 kg (6.6 lb) 2.2 kg (4.8 lb)
Dimensions Loudspeaker cabinet max. diameter Loudspeaker cabinet max. depth  Cutout diameter Minimum free depth measured from the surface of the ceiling  Amplifier height Amplifier width Amplifier depth*	284 mm (11 <sup>3</sup> / <sub>16</sub> "") 158 mm (6 <sup>3</sup> / <sub>16</sub> "")  257 mm (10 <sup>1</sup> / <sub>8</sub> "") 160 mm (6 <sup>4</sup> / <sub>16</sub> "")  177 mm (6 <sup>31</sup> / <sub>32</sub> "") (4U) 54 mm (2 <sup>1</sup> / <sub>8</sub> "") 260 mm (10 <sup>1</sup> / <sub>4</sub> "")

\*Note that the cable connectors require at least 100 mm (4") of space behind the amplifier

## AMPLIFIER SECTION

	AIC25
Bass amplifier short term output power	40 W at 8 Ohm load
Treble amplifier short term output power (Long term output power is limited by driver unit protection circuitry)	40 W at 8 Ohm load
Amplifier system THD at nominal output	≤ 0.08 %
Mains voltage	100, 120 or 230 V
Power consumption (average) Idle Full output	10 VA 80 VA
Recommended loudspeaker cable gauge	0.8 to 5.0 mm <sup>2</sup> (18 to 10 AWG)
Standby/On switching by signal sensing Autostart function or +12 V DC remote control	

## CROSSOVER SECTION

	AIC25
Connectors: XLR female input, balanced 10 kOhm RCA female input, unbalanced 10 kOhm "LINK OUT" XLR male output, balanced 10 kOhm	pin 1 gnd, pin 2 +, pin 3 - pin +, ring gnd pin 1 gnd, pin 2 +, pin 3 -
Input level for 100 dB SPL output at 1 m	-6 dBu
Input Sensitivity adjustment range	+6 dBu to -6 dBu
Crossover frequency, Bass/Treble	3.0 kHz
Treble Tilt control operating range	0 to -2 dB @ 15 kHz
Bass Tilt control operating range in -2 dB steps	From 0 to -6 dB @ 100 Hz
Bass Roll-Off control	-6 dB @ 85 Hz

The 'CAL' position is with all tone controls set to 'off' and the input sensitivity control to maximum (fully clockwise).