

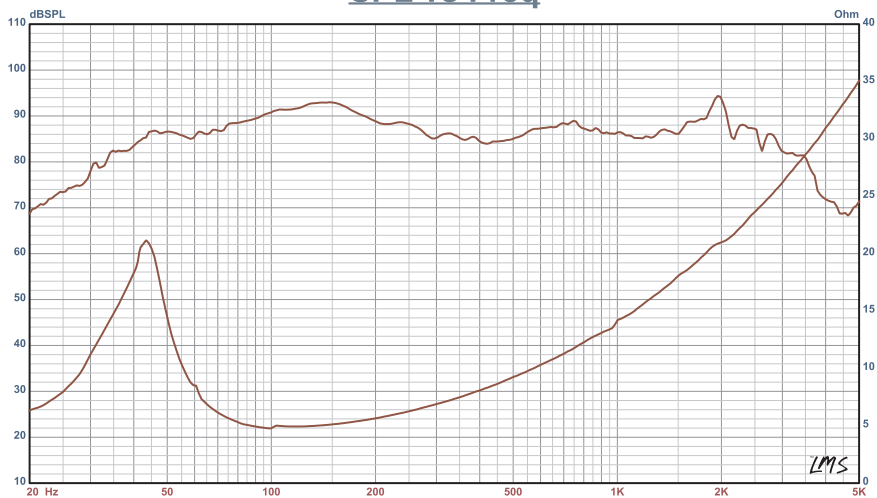


FW300DV woofer

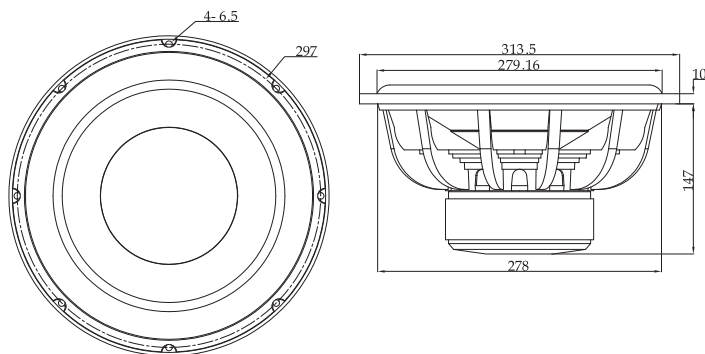
FEATURE

- 12" sub woofer driver
- paper cone
- 50mm voice coil
- die cast frame
- fast transition, low distortion

SPL vs Freq



frequency response vs impedance



Mechanical drawing

Specification	
Overall dimension	313.5mmx165.5mm
Net.weight	6.6kg
Nominal Power Handling	300Wrms
Nominal Impedance	4ohm
Sensitivity	88.2dB/w/m
Frequency Response	39-2KHz
Resonant Frequency	39Hz
Voice Coil	
Voice coil diameter	50mm
Voice coil height	32mm
Voice coil former	aluminium
Voice coil wire	copper
Number of layers	2
DC resistance	3.1ohm
Magnet System	
Magnet system type	ferrite
Magnet gap height	8mm
B flux density	1T
BL product	14.65 Tm
Max linear excursion	12mm +/-
T/S Parameter	
Cms	0.10mm/N
Sd	530.929cm ²
Vas	39.60Litre
Mmd	154.83g
Mms	161.86g
Qms	3.032
Qes	0.584
Qts	0.49