

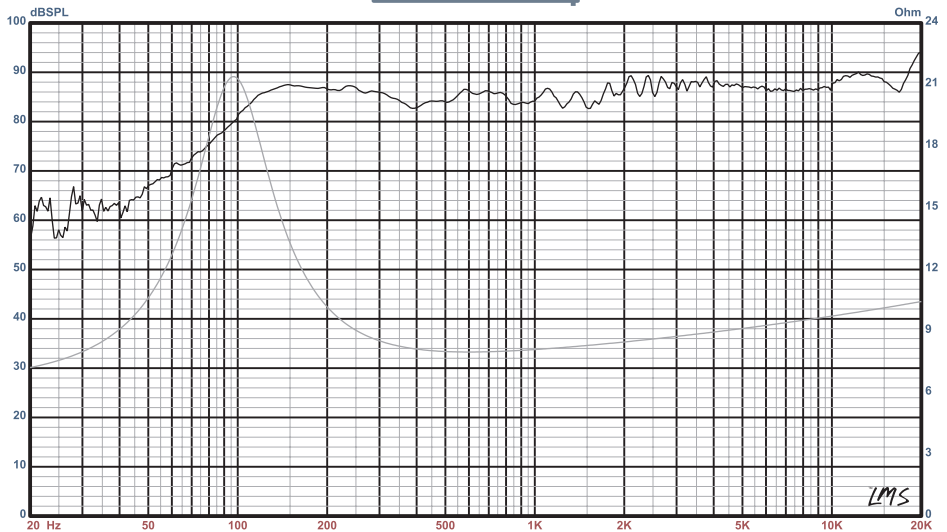


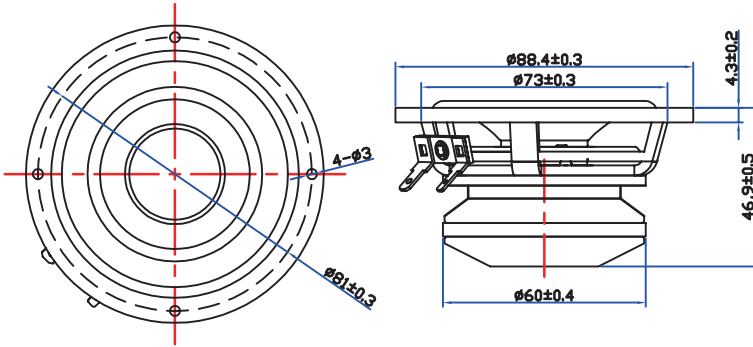
FR89EX fullrange driver

FEATURE

- underhung motor design, Neodymium magnet
- +/-5mm linear excursion
- aluminum cone, 25mm voice coil
- low distortion, fast transient
- high power handling

SPL vs Freq





Mechanical drawing

Specification		Magnet system	
Overall Dimension	D88.4*46.90mm	Magnet system type	Neodymium
Net. Weight	525g	Magnetic Gap Height	14mm
Nominal Power Handling	25W *	Flux Density	0.85 Tesla
Nominal Impedance	8 Ohm	BL product	3.781
Sensitivity 1W/1M	83.6dB	Max Linear Excursion	5mm +/-
Frequency Response	70-20KHz	T/S parameter	
Resonant Frequency	97Hz	Cms	0.997mm/N
Voice Coil		Sd	27.34cm ²
Voice Coil Diameter	25mm	Vas	1.111L
Voice Height	4mm	Mmd	2.693g
Voice Coil Former	Aluminum	Mms	2.611g
Voice wire	copper ribbon	Qms	1.642
Number of Layers	1	Qes	0.652
DC Resistance	5.7 Ohm	Qts	0.468

* IEC268-5 standard