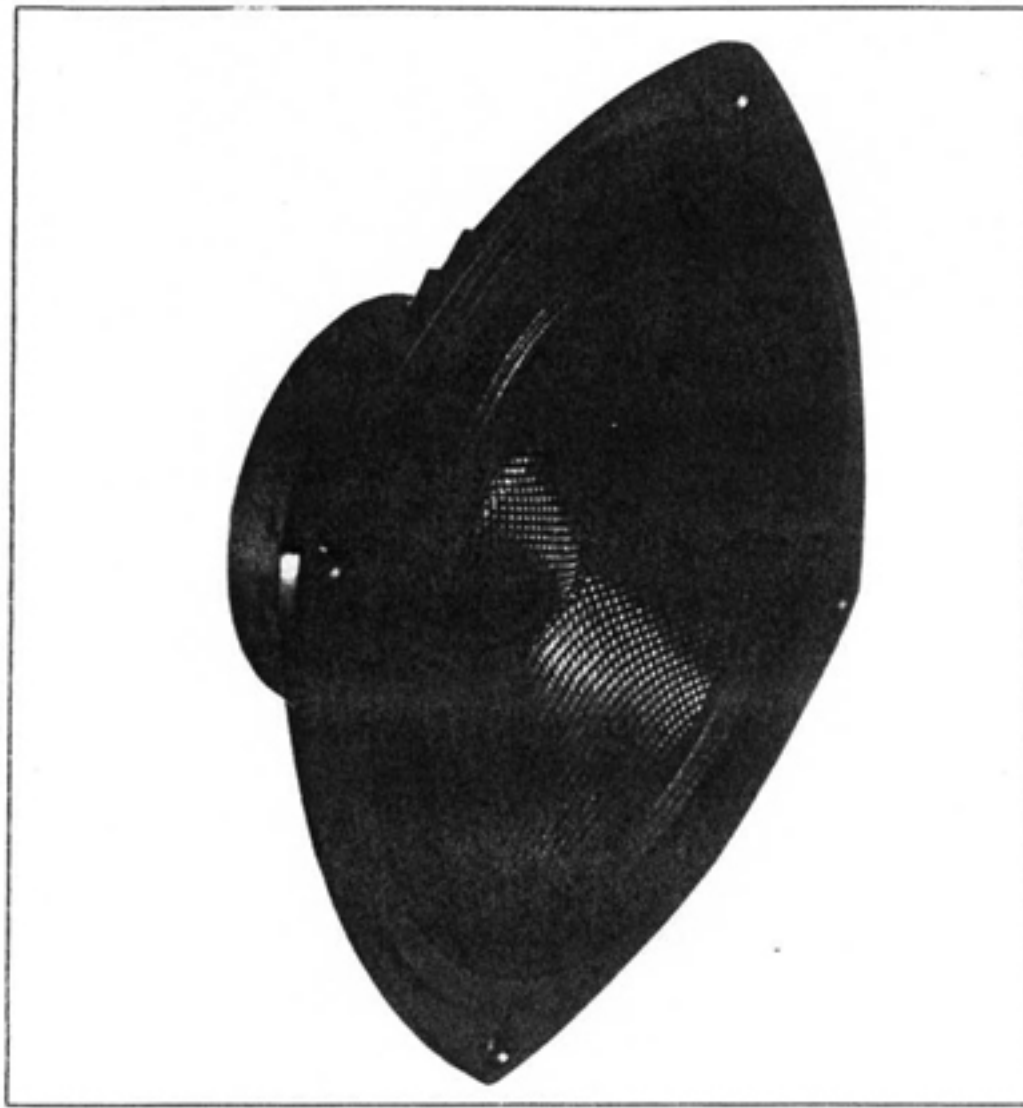




# 25 SCA 10 T

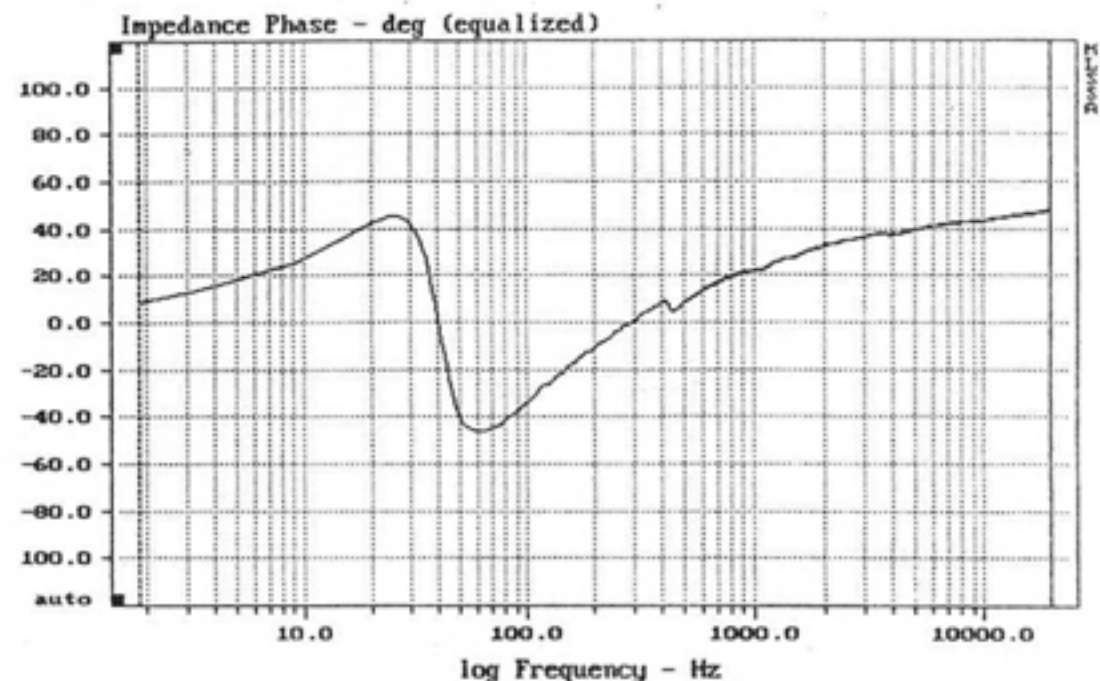
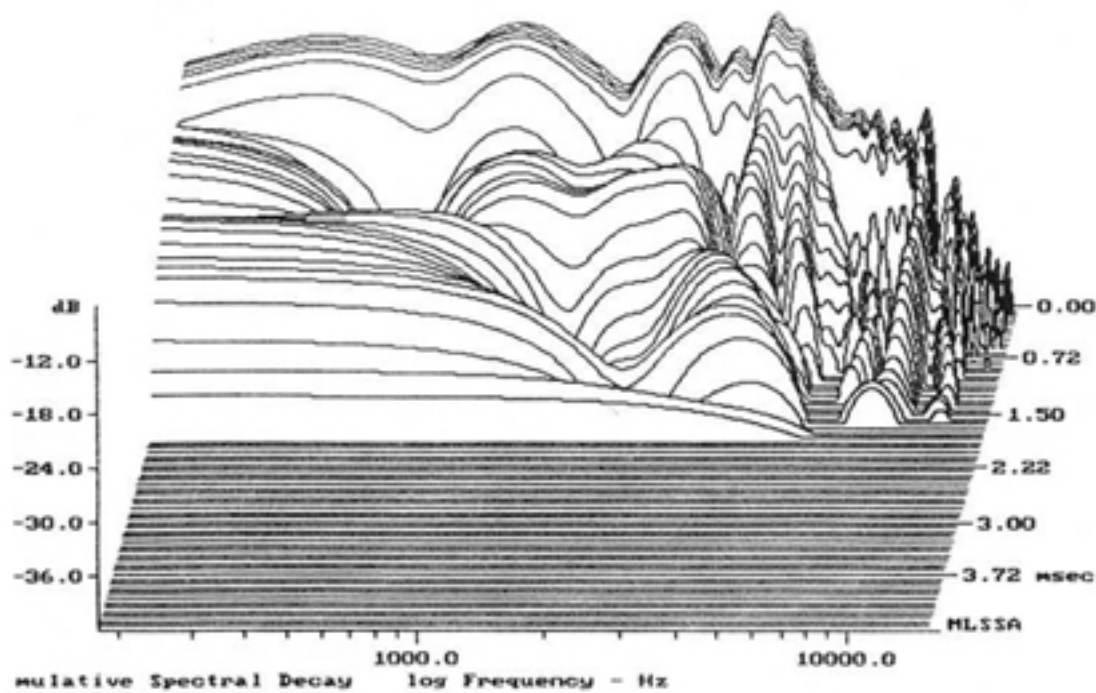
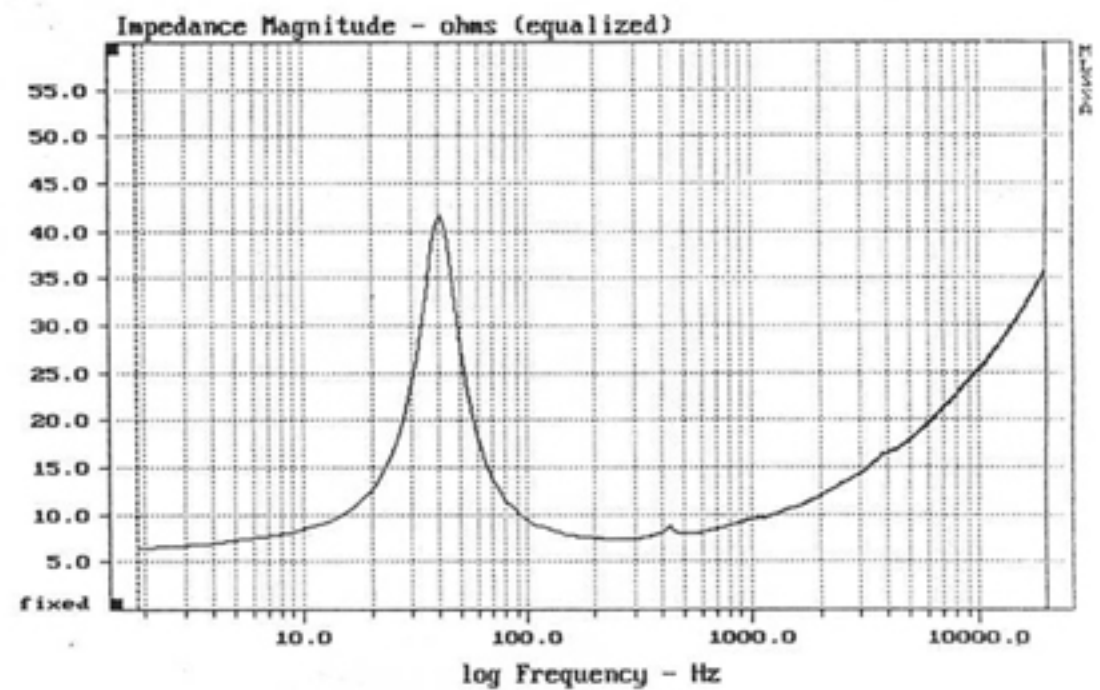
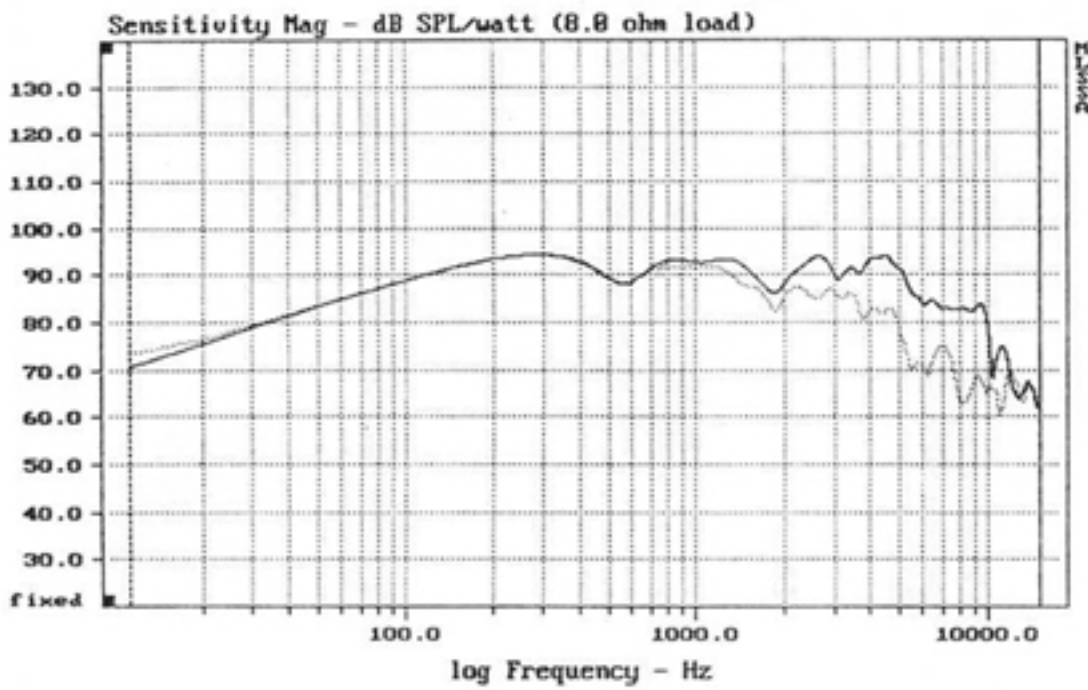
## 10" woofer-low-midrange

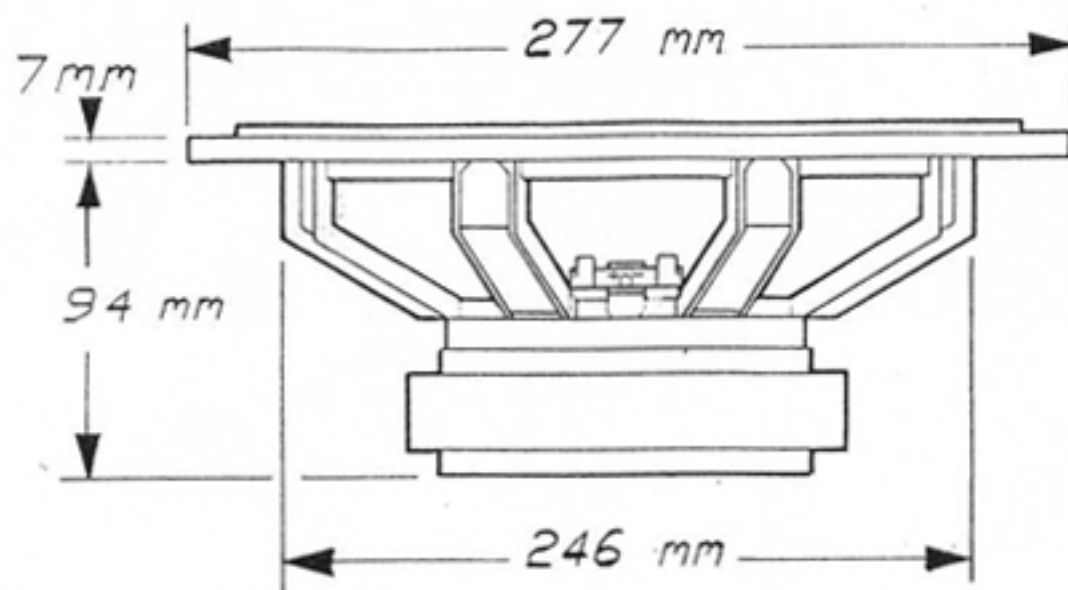
- Large coil and moderate suspension compliance offer exceptional bass power handling. Carbon cone is here for high sound quality, especially low midrange.



Nominal impedance : 8 Ω  
 Sensitivity /2.8V /1m. : 93 dB  
 Power handling rms : 120 W  
 Magnet / size : Ferrite/ 120 mm

Voice-coil diameter : Copper / 39 mm  
 Voice-coil former : Alu  
 Cone : Coated carbon  
 Surround : Coated fabric





25 SCA 10 T

MAGNET DIAMETER	120	MM
OVERALL DIAMETER	320	MM
MOUNTING HOLES	6 MM X 4	
WEIGHT	3.5	KG

## PARAMETERS

FREE AIR RESONANCE FREQUENCY	FS	41	Hz
DC RESISTANCE	RE	6.81	$\Omega$
MECHANICAL LOSSES AS EQUIVALENT RES	RES	37.6	$\Omega$
MECHANICAL Q.	QMS	2.94	
ELECTRICAL Q.	QES	0.53	
TOTAL Q.	QTS	0.45	
SERIE LOSSLESS INDUCTANCE	L1	0.40	MH
SERIE LOSS INDUCTANCE	L2	0.61	MH
COMPLIANCE AS AN EQUIVALENT VOLUME AIR	VAS	91.3	LITRES
MOVING MASS + AIR LOAD	MMS	25.1	GRAMS
MECHANICAL COMPLIANCE OF SUSPENSION	CMS	597	$\mu\text{M}/\text{NEWTON}$
MOTOR FORCE FACTOR	BL	9.1	TESLA-M
REFERENCE SPL 1 WATT, 1 M.	SPL REF	92.6	DB
RADIATING AREA	Sd	330	CM <sup>2</sup>
LINEAR DISPLACEMENT PEAK TO PEAK	X MAX	10	MM

**DAVIS**  
ACOUSTICS

DAVIS reserves the right to vary products and specifications without prior notice.

DAVIS se reserve le droit de modifier ses produits et caractéristiques sans préavis.