

TELEFUNKEN



**LED TV/
Телевизор цветного
изображения с
жидкокристаллическим
экраном**

TF-LED32S34

**Instruction manual
Руководство по
эксплуатации**



Table of contents

Dear customer!

Thank you for purchasing our product. For safety, it is strongly recommended to read this manual carefully before connecting, operating and/or adjusting the product and keep the manual for reference in the future.

Table of contents	2
Before you start	3
Utilization of the product	3
Important safeguards	3
Installation	4
Stand installation	4
Wall mounting	4
Connection	5
Operation	6
Control elements	6
Front and button panel.....	6
Back panel	6
Remote controller(RC)	7
Changing the battery	7
General operations	8
Signal sources	8
OSD operation	8
Picture setting	9
Sound setting	9
OSD setting	9
TV setting	9
USB operation	10
General operations of file playback	11
General information	12
Troubleshooting	12
Causes of interference	12
Accessories	13
Specifications	13

Utilization of the product

If you want to dispose this product, do not mix it with general household waste. There is a separate collection system for used electronic products in accordance with legislation that requires proper treatment, recovery and recycling.

Please contact your local authorities for the correct method of disposal. By doing so, you will ensure that your disposed product undergoes the necessary treatment, recovery and recycling and thus prevent potential negative effects on the environment and human health.

Important safeguards

- Please unplug the power cord from the AC outlet and contact a service center for repair if following occurs: any obvious abnormality appears in the unit, such as smoky, peculiar smell or strange sound; liquid has been spilled or other objects have fallen into the unit; no picture or sound; cover or panel is broken; although you have operated the unit following the operating instructions, it still cannot work normally.
- This unit can be connected to a power supply outlet without the third ground contact as well as with a ground contact.
 - Always disconnect the power cord and antenna during a storm.
 - Do not fix the power cord with a metal nail.
 - Unplug the power cord from the AC outlet; also unplug the signal cables from the input ports when the unit is unused for long periods of time.
 - When unplugging the plug, always hold the wide slot, do not touch the metal part, and do not destroy, twist, pull or roast the power cord.
 - Please contact the service center immediately if you found that the core is showed in the air or has been broken.
 - Please replace the AC outlet if the metal bolt cannot be inserted into the power socket completely or it cannot be fastened even when it was pushed in, otherwise, any accidents of shocks and fires would happen.

- Never touch the antenna lie or power plug if it starts to thunder.
- Do not touch the power plug with wet hands.
 - Do not use any non-rated power socket with numerous devices jointed on one power socket or cable device. The wire of non-designated capacity may cause the fire due to the generation of heat.
 - All instructions must be read and understood well before you operate the unit. Heed all warnings and follow all instructions.
 - Please use the accessories provided by the manufacturer. Using inadequate accessories may result in accidents.
 - Please adjust the product through the panel buttons or the remote controller, do not remove the cover or attempt to service the product by yourself. Do not disassemble back cover and do not make maintenance by yourself to avoid the electric shock.
 - Over-press the panel may destroy the product.
 - Do not place the product on an unstable cart, stand surface, tripod, bracket, or table. The product may fall, causing serious accidents as well as the damage to the product.
 - Please place the product on a flat surface in a well-ventilated location. Keep it away from the burning-light, direct sunlight, vibration, high-temperature and humidity.
 - Do not place any vase, potted plant, cup, medicine and any container with water on this

Before you start

product. If the liquid is spilled, it may cause the fire, electric shock or breakdown.

- Do not install it at the place on the strong magnetic field or current field. It may cause break down. This equipment may be observed deterioration of the picture by electromagnetic radiation in electromagnetic environment.

- Fasten the wheel of the product or shelf with wheels when installing this product. If it moves or is tipped over, it may be damaged.

- Do not place any fire source such as candlelight close to this product or place it on this product. If it is tipped over or fallen down, it may cause damage or fire.

- Do not place the unit into closed space of TV for better ventilation; it can reduce the product lifetime. Keep a space at least 10 cm at above, left, and right of the TV.

- Please place all the signal cords behind of rear panel.

- Do not overexert or touch the panel when you convey the product. Do not transfer the LED TV up or down display direction.

- Do not transport it with the power cord or the connection cable connected. If you move this product with the power cord or the connection cable connected, damaged power cord, connection cable or connection terminal may cause fire, electric shock or breakdown.

- 2 persons or more shall transport the device, which is heavier than 18 kg. If you drop or tip over the device, it may damage it.

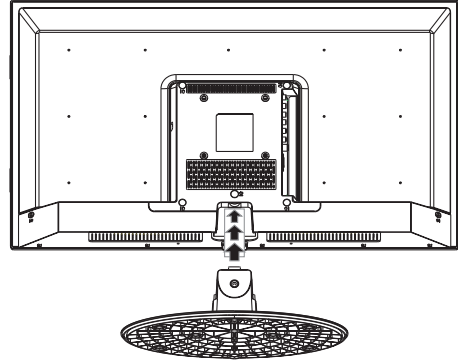
- The temperature of the product's body becomes a little higher after a long period use. This phenomenon indicates that heat exchange in normal working mode, thus please do not let children or anyone who is sensitive of temperature to touch.

All images provided herein are schematic drawings of real objects and may differ from their real images.

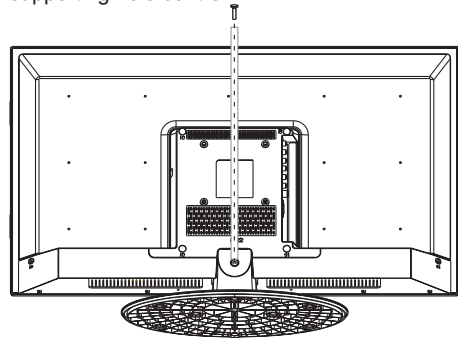
Wall or ceiling mounting implements must be durable and sufficient enough to support the weight of the unit.

Installation

Stand installation



Insert the stand supporting element to supporting hole on the back panel of the unit body, align the supporting element and supporting hole centre

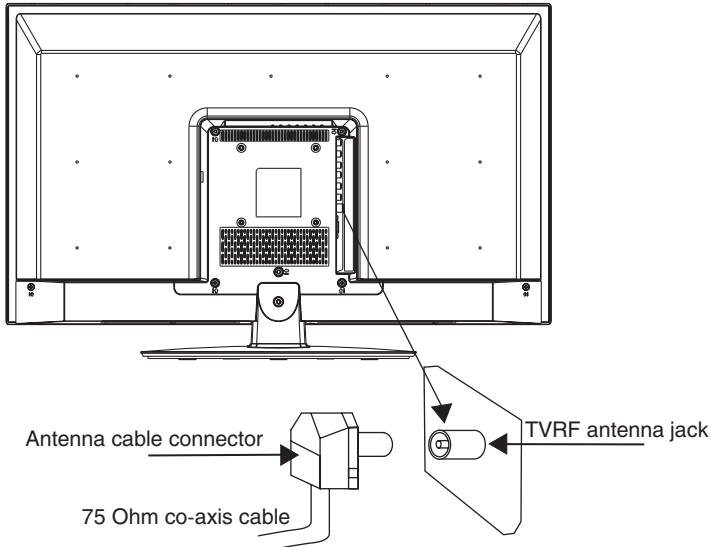


Fasten the screw.

Wall mounting

For wall mounting the back panel of this unit is equipped with 4 screw holes (100 mm horizontal spread distance x 100 mm vertical spread distance). A VESA wall-mount bracket should be used for wall mounting (the bracket is not included and should be acquired separately). Manufacturer is not responsible for improper mounting resulting in damage of the unit.

Connection



Outdoor Antenna Connection

Use 75Ω coaxial cable plug or 300-75Ω impedance converter to plug in antenna input terminal on the rear of the cabinet.

Other connections

- Connect the audio sources (Including DVD, VCDR, CAMCORDER and PC) to the proper Audio input jacks 'L' and 'R'.
- Connect the video source to the Composite video jack by RCA cable.
- Composite output is intended for connecting external devices with AV input interface (e.g. monitors, other TVs, etc.).
- Connect the AC power cord to the power outlet.
- When using the LED as a computer screen, connect the PC to the VGA jack from the monitor by the proper cable (not included).
- If the video source has a HDMI output jack, you can connect the signal to the monitor

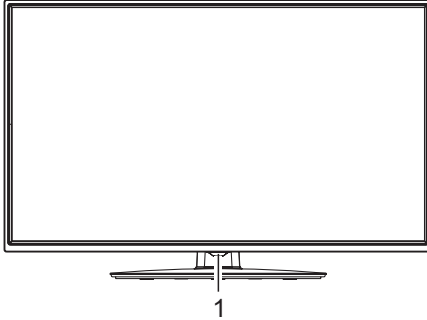
by the HDMI cable (not included).

- Connect your headphones or earphones (not included) to the headphone socket of this unit. When earphones are connected, the sound output through the built-in speakers of this unit is mute.

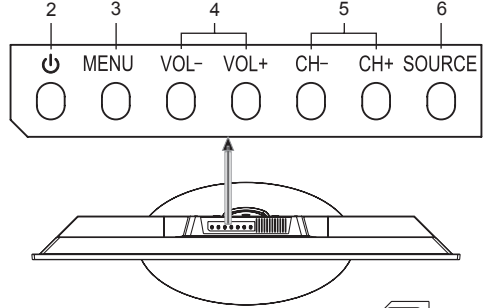
Operation

Control elements

Front and button panel



1. IR sensor and Power indicator

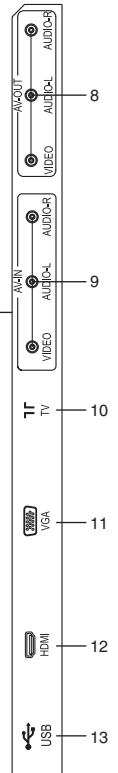
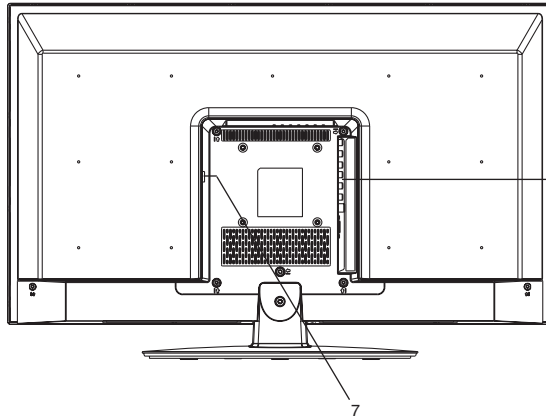


Button panel

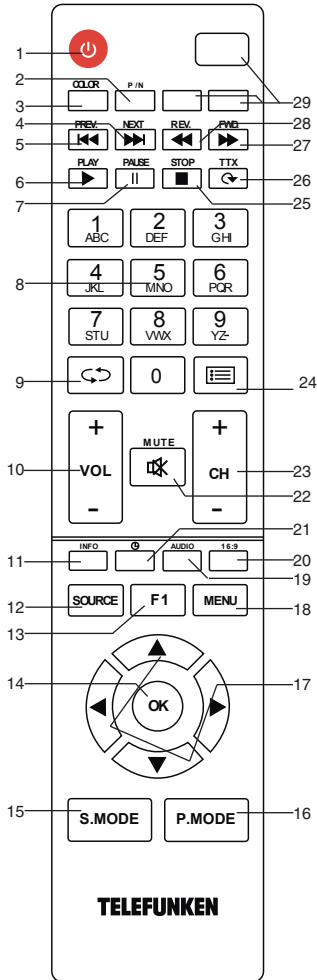
- 2. STANDBY button
- 3. MENU button
- 4. VOL+/VOL- buttons
- 5. CH+/CH- buttons
- 6. SOURCE buttons
- 7. Power cable socket

Back panel

- 8. AV RCA output
- 9. AV RCA input
- 10. TVRF antenna jack
- 11. VGA input
- 12. HDMI input
- 13. USB port



Remote controller (RC)



1. POWER button
2. P/N button
3. COLOR button
4. NEXT button
5. PREV. button

6. PLAY button
7. PAUSE button
8. Number buttons (Alphabetic function is unavailable for this model)
9. RETURN button
10. VOL+/VOL- buttons
11. INFO button
12. SOURCE button
13. F1 button
14. OK button
15. S.MODE button
16. P.MODE button
17. Cursor (UP/DOWN/LEFT/RIGHT) buttons
18. MENU button
19. AUDIO button (option)
20. 16:9 button
21. TIME button
22. MUTE button
23. CH+/CH- buttons
24. PROGRAM LIST button
25. STOP button
26. ROTATE/TTX button
27. FWD. button
28. REV. button
29. Buttons not operable


Changing the battery

1. Remove the battery compartment cover on the back of the RC.
2. Insert two AAA batteries into the battery compartment making sure that the correct polarity is observed.
3. Install the cover back.
 - The RC should be pointed at remote sensor within 8 meters and within 30 degrees at the left or the right side.
 - Take the battery out of the RC if it is not used for a long time.
 - Do not mix new and used batteries or different types of batteries. Weak batteries can leak and severely damage the RC.
 - Do not expose the RC to shock, liquids, and do not place it in an area with high humidity.

Operation

General operations

- Plug the power cord into a wall outlet. The unit will be in standby mode. Press POWER on the RC or Standby button on the unit to switch on the unit from standby mode. When the unit is on, press POWER button on the RC to switch the unit to standby. Unplug the power cord to switch the unit off.

 When no signal input for 5 minutes, the unit will switch to standby mode automatically.

- Press VOL- button repeatedly to decrease the volume; press VOL+ button repeatedly to increase the volume.
- Press TIME button repeatedly to set the sleep time (from 0 to 240 min).
- Press RETURN button on the RC to select from the present channel and the previously displayed channel.
- Press 16:9 button repeatedly to select a screen display size from the available list: FULL => 4:3 => SUBTITLE => FILM. Available aspects may differ for different signal sources.
- Press MUTE button to cut off sound, press this button again or adjust volume to resume sound.
- Select the TV function mode. Press CH-/CH+ buttons to select previous or next channels; or press number buttons to enter a channel number directly.
- Press P.MODE button repeatedly to cycle through the available video picture modes from the following types: Standard => Soft => User => Bright.
- Press S.MODE button repeatedly to cycle through the available sound modes from the following types: Standard => Music => Movie => User.
- Press INFO button to display the preset TV channel play information.
- Press P/N button to select PAL/NTSC/SECAM/Auto color system.
- Press COLOR button to select Standard/Warm/Cool color temperature mode.
- Press F1 button to freeze the picture on or off.
- Press PROGRAM LIST button to scan or

set program list.

- Press AUDIO button in TV mode repeatedly to switch between various Nicam sound modes (can be unavailable for some channels). This function is optional.

Signal sources


Press SOURCE button, then press DOWN/UP cursor buttons on the RC or CH+/CH- buttons on the panel to select a source from available source list: TV => AV => PC => HDMI => USB. Press OK button on the RC or MENU button on the panel to confirm.

TELETEXT operations (option)

- Select the TV source mode. Then press CH-/CH+ buttons to select TV channel in order to pick up the picture signal of Teletext.
- Press CH-/CH+ buttons to select the previous page or the next page.
- Teletext button functions are as follows:
ON/OFF: Press TXT button to enter into TEXT mode. Press this button again to return to the channel you are watching. Follow the on-screen prompts to navigate the Teletext.

OSD operation

1. Press MENU button to enter the setting menu displayed on the screen.
2. Press LEFT/RIGHT cursor buttons on the RC or VOL+/VOL- buttons on the panel to go to the needed setting page.
3. Press UP/DOWN cursor buttons on the RC or CH+/CH- buttons on the panel to select a parameter to adjust.
4. Press LEFT/RIGHT buttons on the RC or VOL+/VOL- buttons on the panel to adjust the selected parameter.
5. Press MENU button to return to the root menu or exit menu setting.

 Some menu items may be in grey color, in this case they are not adjustable. Pictures of OSD menu are for reference only; they may differ from the real pictures.

Picture setting

Picture mode Contrast Brightness Saturation Hue Sharpness Aspect ratio Color temp. Noise reduction
⇄⇄ Adjust ⇅⇅ Select Menu:Exit

- **Picture Mode:** Standard/Soft/User/Bright.
- **Contrast, Brightness, Saturation, Hue** (available only for NTSC system), **Sharpness.**
- **Aspect ratio:** Full/4:3/Subtitle/Film.
- **Color temperature:** Select color temperature mode of the picture - Standard/Warm/Cool.
- **Noise Reduction:** Middle/High/Low/Off level of noise reduction.

Sound setting

Sound mode Treble Bass Balance Auto volume
⇄⇄ Adjust ⇅⇅ Select Menu:Exit

- **Sound Mode:** Standard/Music/Movie/User.
- **Bass, Treble, Balance** (adjust output between left and right speakers).
- **Auto volume:** set the auto volume correction on/off.

OSD setting

OSD language OSD duration OSD transparency Blue screen Sleep time Recall
⇄⇄ Adjust ⇅⇅ Select Menu:Exit

- **OSD-Language:** select the language of the on-screen menu.
- **OSD-Duration:** set OSD menu display time from 15 to 60.
- **OSD-Transparency:** adjust the halftone of the OSD menu from 0 to 100.
- **Blue screen:** set on or off blue screen.
- **Sleep-timer:** set the sleep time in minutes (from 0 to 240 minutes).
- **Recall:** reset the parameters to initial factory settings.

TV setting

Color system Sound system Skip Auto search Manual search Fine tune Channel edit
⇄⇄ Adjust ⇅⇅ Select Menu:Exit

- **Color system:** PAL/NTSC/SECAM/AUTO.
- **Sound system:** select sound system: I, D/K, B/G.
- **Skip:** set on or off skipping a channel.

Operation

- **Auto search:** press RIGHT cursor button on the RC or VOL+ button on the panel to start automatical search of available channels. Current frequency and and channel number will be displayed. To stop search, press MENU button, then LEFT button on the RC.

- **Manual search:** press RIGHT cursor button on the RC or VOL+ button on the panel to enter manual search mode. Press LEFT/RIGHT cursor buttons on the RC or VOL+/VOL- buttons on the panel to select the channel number. Then press DOWN cursor button to select SEARCH, then again press LEFT/RIGHT cursor buttons on the RC or VOL+/VOL- buttons on the panel to start channel search. To stop search, press MENU button on the RC.

- **Fine tune:** press RIGHT/LEFT cursor buttons to adjust the frequency.

- **Channel edit:** press RIGHT cursor button on the RC to enter channel edit mode.

Channel edit		
1 CH		ATV
2 CH		ATV
3 CH		ATV
4 CH		ATV
5 CH		ATV
6 CH		ATV
7 CH		ATV
8 CH		ATV
9 CH		ATV
1:Delete	2:Move	3:Skip
OK:Enter		Menu:Exit


- **Delete:** select a channel with cursor buttons. Press “1” number button to delete the selected channel. Press MENU button to confirm and return.

- **Move:** select a channel with cursor buttons. Press “2” number button, then press UP/DOWN cursor button to select the new position for the channel. Press MENU button to confirm and return.


- **Skip:** select a channel with cursor buttons. Press “3” number button, to set this channel for skipping.

USB operation

Insert a USB into the USB jack. Select USB source and press OK button. The screen will show a USB playback window, in which you can select Music, Photo, Movie and Text contents to play by pressing LEFT/RIGHT cursor buttons and OK button.

 USB file systems supported: FAT16, FAT32, NTFS. 2.0 USB version is supported, maximum capacity is 500 GB. For correct and satisfactory operation, licensed USB devices of famous brands should be used with this unit. Avoid using USB devices of unknown brands. Playback of some file formats cannot be supported.

- This unit supports playback of video files with ASF, AVI, MKV, MPG, M2TS, MP4, TS, extension, with video codecs DIVX, H264, MPEG-4, MPEGII, MPEGI, XVID and audio codecs AAC, AC3, WMA, MP3.













 The above list of extensions and codecs is for information only and is not a guarantee that all files having the above extensions and codecs should be read by this unit.








According to the USB 1.1/2.0 Standard, usage of a USB device with power current consumption exceeding 500 mA is not recommended without supplementary power supply. Failure to use supplementary power for connected USB drives with power consumption exceeding this value as well as defective USB drives may cause mechanical or thermal changes of elements of this unit as well as failure of internal elements of the USB port. Such damages are not warrantee cases.

Warning: usage of external USB drives containing BIN files in the root directory may cause malfunction of the unit or damage to the software.

General operations of file playback

- Press cursor buttons to select Return option and press OK button if you want to go back to the previous menu.
- In the content menu, press cursor buttons to select folder, press OK button to enter it, then press cursor buttons to select the file you want to watch or to listen to. Press OK button or PLAY button to play the selected file.
- While playback, press INFO button on the RC; the bottom of the screen will show playback menu in which you can select an operation by LEFT/RIGHT cursor buttons on perform this operation by pressing OK button. The operations are as follows:

	Play or pause playback	All files
	Select previous file	All files
	Select next file	All files
	Stop playback and return to previous menu	All files
	Select repeat playback mode	All files
	Play music in background mode when photo or text file is being browsed (you should select music file first)	Photo and Text
	Show playlist	All files
	Show file information	All files
	Rotate image clockwise	Photo
	Rotate image counter-clockwise	Photo
	Fast backward playback	Music
	Fast forward playback	Music

	Select time to start playback from	Music
	Fragment repeat playback. Press OK to select initial point, press OK to select final point of the fragment	Movie
	Slow playback	Movie
	Step playback	Movie
	Zoom in	Movie
	Zoom out	Movie
	Select aspect ratio	Movie

- While playback, press PAUSE button to pause playback. Press STOP button to stop playback.
- When playing photo files, you can press ROTATE button to rotate the image.
- While playback of video and music you can press REV/FWD buttons to fast reverse or forward. You can press PREV/NEXT buttons to select the previous or next file.

General information

Troubleshooting

Below is a table describing simple measures that can help you eliminate most problems likely to emerge when this unit is in use. If below measures do not help, turn to a service center or to the nearest dealer.

Symptom	Cause	Solution
No picture, no sound, and no indicator light	The power cord is not plugged in. Contrast, brightness, color and volume are all in the minimum value or TV is in mute mode.	Plug the power cord in. Alter the value of contrast, brightness, color and volume.
Picture and sound with abnormality	Contrast and color are set improperly. Color system is set improperly. Sound system is set improperly.	Set the value of Contrast and color properly. Set the sound system properly.
The picture in VGA mode is abnormal	The PC settings may be improper.	Check and set the resolution parameters of your PC.
Picture is spotted or with snow	Signal source is low-grade or the signal is in a lower quality.	Use the qualified signal cord.
Blue background	No video signal or the signal cord is improperly/not connected.	Connect the signal cord properly.
No sound	No audio signal or the signal cord is improperly/not connected.	Connect the audio signal cord properly. Set the sound system properly.
The RC does not work	Batteries are improperly installed or exhausted.	Make sure the positive and the negative polarities are correct. Reattach the battery lid. Replace the batteries.

Causes of interference

Incorporated in your TV receiver are the most up-to-date devices to eliminate interference. Local radiation however, can create disturbances, which visibly affect your picture. Proper installations, a good aerial are your best safeguards against these disturbances.

- **RF INTERFERENCE:** Moving ripples across the screen are caused by nearby transmitting or receiving short-wave radio equipment.
- **DIATHERMY:** Herringbone pattern and partial picture loss can result from the operation of diathermy equipment from a nearby doctor's surgery or hospital.
- **SNOW:** Weak TV signals from long distant stations result in an instead picture and give the effect of falling snow. An antenna adjustment or antenna amplifier may be needed.
- **GHOST:** Multiple image, caused by TV signals reflected back from surrounding buildings, hills, aircraft, etc. is minimized by correct aerial positioning.
- **CAR IGNITION:** Nearby cars and electrical motors can cause small streaks across the picture or make the picture roll.


General information

Accessories

1. LCD TV	1 pc
2. Remote controller	1 pc
3. Stand	1 pc
4. Screw	1 pc
5. Consumer information	1 pc
6. Warranty card	1 pc
7. Instruction manual	1 pc

Specifications

Size (diagonal)	31.5" (80 cm)
Response time	8 ms
View angle	176° horizontal/176° vertical
Resolution	1366 x 768
Aspect ratio	16:9
Color system	PAL, SECAM, NTSC
Sound system	B/G, DK, I, L
NICAM Stereo	2 x 8 W
AV RCA input	+
AV RCA output	+
VGA	+
HDMI	+
Russian and English OSD	+
Progressive scan	+
3D Digital comb filter	+
Sleep timer	+
Quantity of channels	199
Teletext	1000 pages
Electric shock protection class	II
Nominal voltage range of the LED TV:	~100–240 V; 50/60 Hz
Power consumption of the LED TV:	55 W
Power density in operation mode:	0.02 W/cm ²
Power consumption in standby mode:	0.3 W
Power consumption in off mode:	0 W
Unit dimensions:	
with stand	730 × 477 × 75 mm
without stand	730 × 430 × 75 mm
Net weight	4.0 kg

 The LCD panel is a high technology product with many thin film transistors that can give you a fine picture details. Occasionally, a few non-active pixels may appear on the screen as a fixed point of blue, green, red, black or white, please note that this does not affect the performance of your LCD TV.

Warning: For improvement reasons specifications may be subject to change without prior notice.

Содержание

Уважаемый покупатель!

Благодарим Вас за покупку нашего изделия. Чтобы понять, как правильно и безопасно пользоваться приобретенным устройством, рекомендуется тщательно изучить настоящее руководство перед подключением и эксплуатацией изделия. Сохраняйте руководство для использования в будущем.

Содержание	14
Перед началом эксплуатации	15
Утилизация изделия	15
Меры предосторожности	15
Установка	17
Установка на подставку.....	17
Крепление на стену.....	17
Подключение	17
Управление устройством	18
Элементы управления	18
Передняя панель	18
Задняя панель	18
Пульт дистанционного управления	19
Установка батареек	19
Общие операции	20
Источники сигнала	20
Экранное меню	20
Настройка изображения	21
Настройка звука	21
Настройка меню	21
Настройка каналов	22
Операции с USB	23
Воспроизведение файлов	23
Общая информация	25
Руководство по устранению неисправностей	25
Источники помех	25
Комплект поставки	26
Технические характеристики	27

Перед началом эксплуатации

Утилизация изделия

Если вы желаете утилизировать данное изделие, не выбрасывайте его вместе с обычным бытовым мусором. Существует отдельная система сбора использованных электронных изделий в соответствии с законодательством, которая предполагает соответствующее обращение, возврат и переработку.

Обращайтесь в органы местного управления за инструкциями по правильной утилизации продукта. Тем самым Вы обеспечите утилизацию Вашего изделия с соблюдением обязательных процедур по обработке, утилизации и вторичной переработке и, таким образом, предотвратите потенциальное негативное воздействие на окружающую среду и здоровье людей.

Меры предосторожности

• Перед подсоединением кабеля питания к телевизору убедитесь, что напряжение устройства соответствует напряжению электрической сети.

• Пожалуйста, извлеките шнур питания из розетки и свяжитесь с сервисной службой в следующих случаях: если в устройстве имеются явные неисправности, например, из него идет дым, чувствуется специфический запах или слышен нехарактерный звук; если внутрь устройства попала жидкость или посторонние предметы; если нет изображения или звука; если поврежден корпус или панель; если Вы пользуетесь устройством согласно инструкции, но оно не работает должным образом.

• Данное изделие может подключаться к розетке питания как без заземляющего третьего контакта, так и с заземляющим третьим контактом.

• Во избежание поражения электрическим током защищайте шнур питания от возможного нажатия на него или защемления, особенно рядом с разъемами.

• Не закрепляйте шнур питания метизами.

• Если Вы не пользуетесь устройством длительное время или в случае грозы, обязательно отключайте шнур питания из

розетки, а также отключайте все сигнальные кабели от входных разъемов.

• При отключении вилки из розетки всегда держитесь за утолщение на вилке, не касайтесь металлических частей, не тяните за шнур, не ломайте и не перегибайте его, не ремонтируйте, не перекручивайте и не нагревайте.

• Немедленно свяжитесь с сервисным центром, в случае если имеются какие-либо неисправности шнура питания, в нем оголились жилы или он поврежден.

• Замените сетевую розетку, если в нее невозможно вставить вилку или вилка плохо закрепляется в розетке. Иначе могут возникнуть неисправности, или произойти несчастные случаи или возгорания.

• Не прикасайтесь к проводам мокрыми руками.

• Запрещается использование розетки, в которую подключено несколько устройств. Перегрузка такой розетки может привести к пожару.

• Место подключения вилки шнура питания к сети 220 В должно оставаться легкодоступным.

• Перед работой с устройством необходимо полностью прочитать и понять все инструкции. Необходимо соблюдать все предупреждения и следовать всем инструкциям,

Перед началом эксплуатации

приведенным в настоящем руководстве.

- Пожалуйста, используйте только рекомендованные производителем аксессуары. Использование других аксессуаров может привести к неисправностям.

- Пожалуйста, проводите все настройки и регулировки только с помощью кнопок на боковой панели или на пульте дистанционного управления. Ни в коем случае не снимайте заднюю панель и не пытайтесь самостоятельно проводить техническое обслуживание устройства, так как существует опасность поражения электрическим током, а также возможно возникновение неисправностей.

- Не устанавливайте устройство на непроводящие или неровные поверхности, тележки, стойки, треноги, кронштейны или столы. Устройство может упасть, в результате чего могут возникнуть неисправности или произойти несчастные случаи. Используйте только те приспособления, которые рекомендованы производителем или продавцом.

- Пожалуйста, устанавливайте устройство на горизонтальной поверхности в местах с хорошей вентиляцией. Не допускайте воздействия на устройство вибрации, прямого солнечного света, высокой температуры, а также попадания пыли и влаги.

- Не ставьте на устройство вазы, сосуды с жидкостью. Попадание жидкости внутрь аппарата может привести к пожару или поломке устройства.

- Не устанавливайте устройство в зоне магнитных волн. Это может привести к поломке устройства. В зоне электромагнитного излучения может наблюдаться искажение изображения.

- Не устанавливайте вблизи устройства источники открытого огня, например, свечи. В случае их падения устройство может быть повреждено или может произойти возгорание.

- Установка телевизора в замкнутое пространство при эксплуатации может сократить срок службы устройства; поэтому

необходимо обеспечить минимальную дистанцию между LCD-телевизором и внутренними границами приспособления под аппарат для нормальной вентиляции (минимум по 10 см свободного пространства со всех сторон).

- Располагайте кабели позади устройства. Не закрепляйте их метизами, не перегибайте, не ремонтируйте и не нагревайте.

- При перемещении телевизора не нажимайте и не касайтесь панели. Не переносите телевизор в положении, при котором экран направлен вверх или вниз.

- Не перемещайте устройство при подключенном проводе питания или других подключенных проводах. Повреждение провода питания, подключенный провод или подключенные устройства могут стать причиной пожара, электрошока или поломки.

- Если устройство тяжелее 18 кг, его должны перемещать не менее 2 человек. При падении устройство может повредиться.

- Слишком сильное нажатие на панель может повредить устройство.

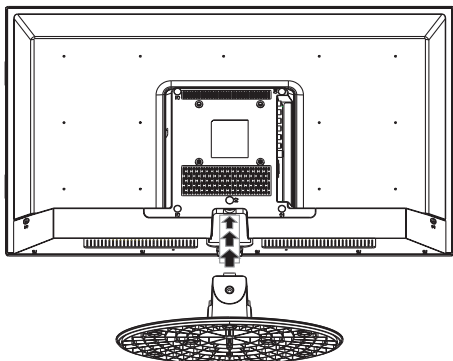
- При длительном использовании может немного повыситься температура корпуса устройства. Это явление свидетельствует о теплоотдаче в нормальном рабочем режиме. Однако не позволяйте детям и людям с повышенной температурной чувствительностью касаться устройства.

Все иллюстрации, приведенные в настоящем руководстве, являются схематическими изображениями, которые могут отличаться от реальных объектов.

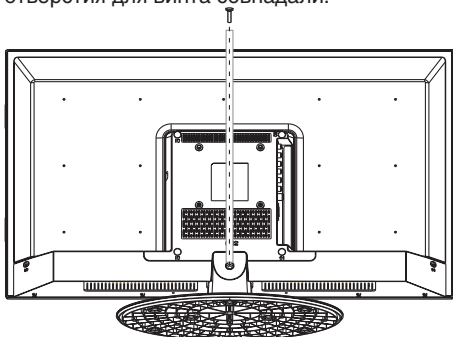
Перед началом эксплуатации

Установка

Установка на подставку



Вставьте ножку подставки в фиксационное отверстие в нижней части задней панели телевизора таким образом, чтобы отверстия для винта совпадали.



Прикрепите подставку к корпусу с помощью винта.

Крепление на стену

Для крепления на стену на задней панели имеются 4 отверстия под винты, расстояние между которыми по вертикали и горизонтали составляет 100 мм. Для крепления следует использовать настенный кронштейн стандарта VESA (в комплект поставки не входит и приобретается отдельно). Производитель не несет ответственности за неправильно выполненный монтаж, повлекший повреждение телевизора.

Подключение

Подключение внешней антенны

Подсоедините антенну к соответствующему разъему. Используйте коаксиальный кабель 75 Ом при подключении внешней антенны.

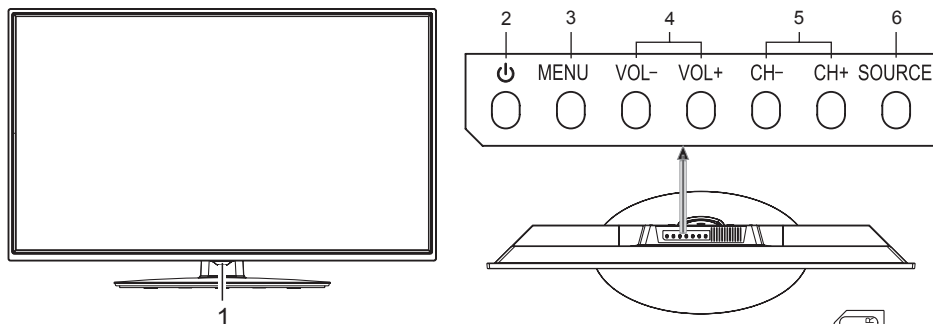
Прочие подключения

- Подсоедините источник аудиосигнала (DVD, CAMCORDER, PC) к соответствующим аудиоразъемам 'L' (Левый) и 'R' (Правый).
- Композитный аудиовидеовход телевизора подсоединяется к композитному выходу другого аудиовидеооборудования с помощью аудиовидеокабеля RCA.
- Композитный аудиовидеовыход предназначен для вывода аудиовидеосигнала на внешние устройства, оснащенные композитным аудиовидеовходом (например, мониторы, другие телевизоры и т.д.). Для подключения используется аудиовидеокабель RCA.
- Разъем питания предназначен для подключения телевизора к сети электрического питания.
- Подсоедините VGA-кабель (в комплект не входит) к VGA-порту ПК и к VGA-разъему телевизора; затяните болты по часовой стрелке на обоих концах кабеля.
- Если источник видеосигнала имеет HDMI-выход, подключите его к HDMI-входу телевизора, используя специальный HDMI-кабель (в комплект не входит).
- Подсоедините наушники к разъему для наушников. При подсоединенных наушниках звук через динамики телевизора не воспроизводится.

Управление устройством

Элементы управления

Передняя панель и кнопочная панели



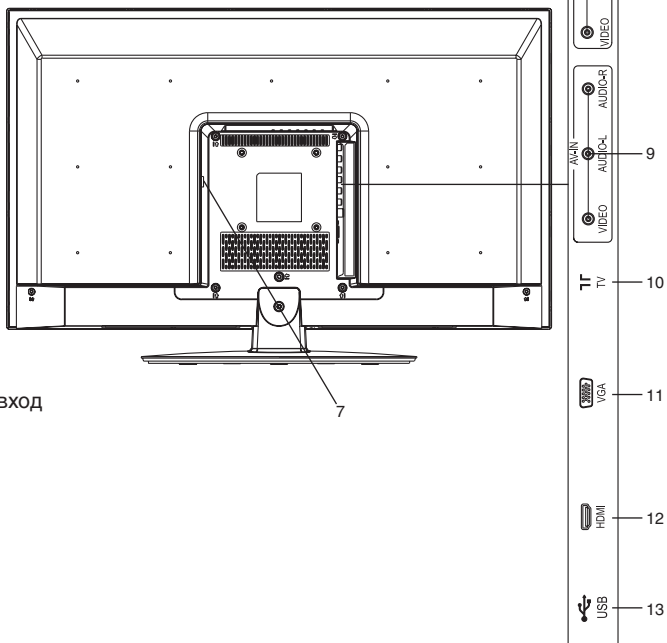
1. ИК-датчик и индикатор питания

Кнопочная панель

2. Кнопка STANDBY
3. Кнопка MENU
4. Кнопки VOL-/VOL+
5. Кнопки CH-/CH+
6. Кнопка SOURCE

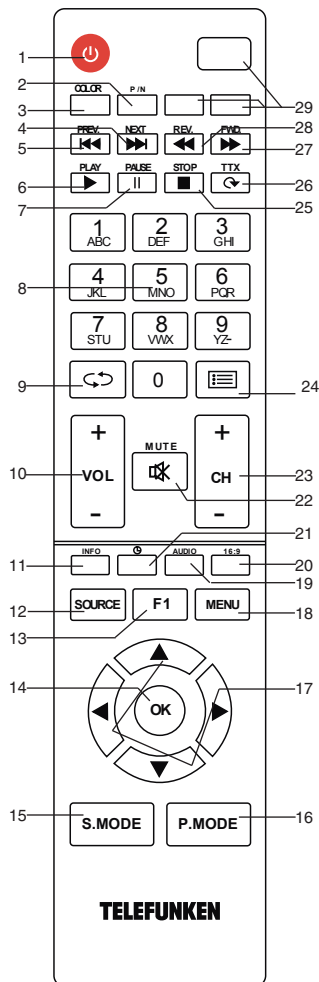
Задняя панель

7. Кабель питания
8. Композитный аудио-видеовыход RCA
9. Композитный аудио-видеовыход RCA
10. Разъем для антенны
11. Компьютерный видеовыход (VGA)
12. Вход HDMI
13. USB-порт



Управление устройством

Пульт дистанционного управления



1. Кнопка POWER
2. Кнопка P/N
3. Кнопка COLOR
4. Кнопка NEXT
5. Кнопка PREV.

6. Кнопка PLAY
7. Кнопка PAUSE
8. Кнопки с цифрами (функция алфавита не активна на данной модели)
9. Кнопка RETURN
10. Кнопка VOL+/VOL-
11. Кнопка INFO
12. Кнопка SOURCE
13. Кнопка F1
14. Кнопка OK
15. Кнопка S.MODE
16. Кнопка P.MODE
17. Кнопки курсора (UP/DOWN/LEFT/RIGHT)
18. Кнопка MENU
19. Кнопка AUDIO
20. Кнопка 16:9
21. Кнопка TIME
22. Кнопка MUTE
23. Кнопка CH+/CH-
24. Кнопка PROGRAM LIST
25. Кнопка STOP
26. Кнопка ROTATE/TTX
27. Кнопка FWD.
28. Кнопка REV.
29. Кнопки не активны для данной модели


Установка батареек

1. Снимите крышку отсека для батареек на задней части ПДУ.
2. Поместите две батарейки AAA/1.5V в отсек для батареек с правильным соблюдением полярности.
3. Установите крышку отсека на место.
 - Мощность сигнала, необходимая для приемного датчика, обеспечивается на расстоянии до 8 метров и в пределах 30 градусов влево и вправо.
 - Не используйте одновременно новые и использованные батарейки или батарейки разных типов.

Управление устройством

Общие операции

- Вставьте вилку кабеля питания в розетку, чтобы включить питание телевизора. Телевизор будет находиться в режиме ожидания. Нажмите кнопку POWER на ПДУ или кнопку режима ожидания на панели, чтобы устройство включилось из режима ожидания. Когда устройство включено, нажимайте кнопку POWER на ПДУ, чтобы устройство перешло в режим ожидания или вышло из него. Для полного отключения извлеките кабель питания из электросети.

 При отсутствии сигнала в течение более 5 минут устройство автоматически перейдет в режим ожидания.

- Нажимайте кнопки VOL-/VOL+ для регулирования уровня громкости звука.

- Нажимайте кнопку TIME для выбора периода времени, по истечении которого телевизор автоматически отключится (от 0 до 240 минут).

- Нажмите кнопку RETURN на ПДУ для переключения между текущим и предыдущим просматриваемыми каналами.

- Нажмите кнопку 16:9 для выбора одного из доступных форматов изображения на экране: Полный экран=>4:3 => Субтитры => Фильм. Форматы могут различаться в зависимости от текущего источника сигнала.

- Нажмите кнопку MUTE для отключения звука. Для включения звука нажмите эту кнопку повторно или регулируйте громкость.

- Выберите режим TV. Нажимайте кнопки CH-/CH+, чтобы выбрать предыдущий или следующий канал. С помощью кнопок с цифрами 0-9 можно непосредственно выбрать номер нужного канала.

- Нажимайте кнопку P.MODE для переключения по меню режимов изображения, состоящему из следующих пунктов: Стандартный => Мягкий => Яркий => Пользователь.

- Нажимайте кнопку S.MODE для переключения по меню режимов звука, состоящему из следующих пунктов: Стандартный => Музыка => Фильм => Пользователь.

- Нажмите кнопку INFO для отображения

информации о текущем канале.


- Нажимайте кнопку P/N для выбора систем цветности PAL/NTSC/SECAM/Авто.

- Нажимайте кнопку COLOR для выбора режима температуры цвета: Стандартный/Теплый/Холодный.

- Нажмите кнопку F1 для включения стоп-кадра.

- Нажимайте кнопку PROGRAM LIST для просмотра или настройки списка программ.

- Нажимайте кнопку AUDIO в режиме TV для выбора одного из режимов звука Nicam (данная операция доступна не для всех ТВ-каналов).

 Данная операция является может не поддерживаться некоторыми моделями.

Источники сигнала

Нажмите кнопку SOURCE, затем нажимайте кнопки курсора ВНИЗ/ВВЕРХ на ПДУ или кнопки CH+/CH- на панели, чтобы выбрать один из доступных источников сигнала: TV => AV => PC=> HDMI => USB.

Нажмите кнопку OK на ПДУ или кнопку MENU на панели для подтверждения.

Операции с телетекстом (опция)

- Выберите режим TV. Затем с помощью кнопок CH-/CH+ выберите телеканал, поддерживающий телетекст.

Нажмите кнопку TXT для входа в режим телетекста. Нажмите повторно для возврата к просмотру телеканала.

Экранное меню

1. Нажмите кнопку MENU, чтобы вызвать экранное меню настройки.

2. Нажимайте кнопки курсора ВЛЕВО/ВПРАВО на ПДУ или кнопки VOL+/VOL- на панели для выбора нужной страницы меню.


3. Нажимайте кнопки курсора ВВЕРХ/ВНИЗ на ПДУ или кнопки CH+/CH- на панели, чтобы выбрать параметр для настройки.

4. Нажимайте кнопки курсора ВЛЕВО/

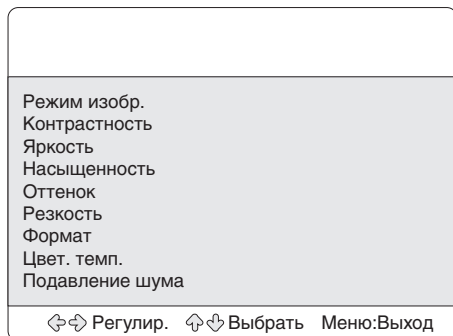
Управление устройством

ВПРАВО на ПДУ или кнопки VOL+/VOL- на панели на панели, чтобы настроить выбранный параметр.

5. Нажмите кнопку MENU, чтобы вернуться в корневое меню или выйти из меню.

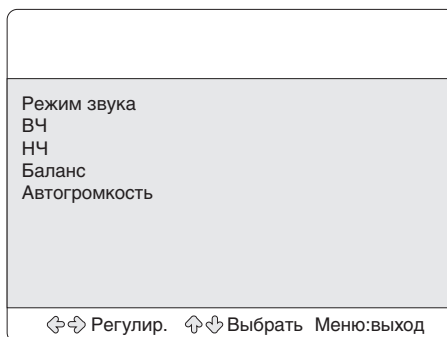
 Пункты меню, написанные серым шрифтом, не подлежат настройке. Изображения экранного меню, приводимые ниже, служат для наглядности и могут отличаться от изображений в Вашем телевизоре.

Настройка изображения



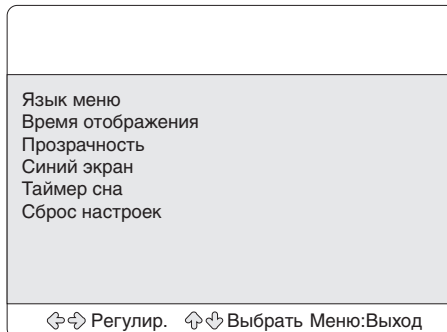
- **Режим изображения:** Стандарт/Мягкий/Яркий/Пользователь.
- **Контрастность, Яркость, Насыщенность, Оттенок** (доступно только для систем цветности NTSC), **Резкость**.
- **Формат:** Полный/Кино/Субтитры/4:3.
- **Цветовая температура:** Стандарт/Теплый/Холодный.
- **Подавление шума:** Средний/Высокий/Низкий/Выкл.

Настройка звука



- **Режим звука:** Стандарт/Музыка/Фильм/Пользовательский.
- **Низкие частоты, Высокие частоты, Баланс** (между правым и левым каналами).
- **Автогромкость:** включите или отключите автоматическую регулировку громкости.

Настройка меню



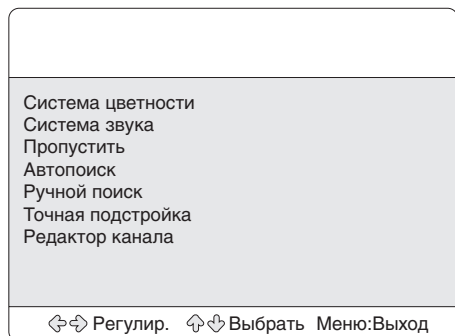
- **Язык меню:** выберите язык экранного меню.
- **Время отображения:** установите время отображения экранного меню (от 15 до 60 секунд).
- **Прозрачность:** установите уровень прозрачности экранного меню.
- **Синий экран:** включите или отключите эту функцию.
- **Таймер сна:** установите время в мину-

Управление устройством

тах, по истечении которого телевизор автоматически отключится (от 0 до 240 минут).

- **Сброс настроек:** сброс выполненных настроек до заводских значений.

Настройка каналов



- **Система цветности:** PAL/SECAM/NTSC/Авто.

- **Система звука:** I, D/K, B/G.

- **Пропустить:** включите или отключите функцию пропуска программы.

- **Автопоиск:** нажмите кнопку курсора ВПРАВО на ПДУ или кнопку VOL+ на панели для запуска автоматического поиска доступных каналов. На дисплее будет отображаться текущая частота и номер канала. Чтобы остановить поиск, нажмите кнопку MENU, затем кнопку курсора ВЛЕВО на ПДУ.

- **Ручной поиск:** нажмите кнопку курсора ВПРАВО на ПДУ или кнопку VOL+ на панели, чтобы включить режим ручного поиска. Нажимайте кнопки курсора ВЛЕВО/ВПРАВО на ПДУ или кнопки VOL+/VOL- на панели, чтобы выбрать номер канала. Затем нажмите кнопку курсора ВНИЗ на ПДУ для выбора пункта ПОИСК и нажмите кнопки курсора ВЛЕВО/ВПРАВО на ПДУ или кнопки VOL+/VOL- на панели для запуска поиска каналов. Чтобы остановить поиск, нажмите кнопку MENU на ПДУ.

- **Точная подстройка:** с помощью кнопок курсора ВПРАВО/ВЛЕВО на ПДУ выполни-

те точную подстройку частоты.


- **Редактор канала:** нажмите кнопку курсора ВПРАВО на ПДУ для входа в меню редактирования каналов:



- **Удалить:** выберите канал с помощью кнопок курсора. Нажмите кнопку с цифрой 1 для удаления выбранного канала. Нажмите кнопку MENU на ПДУ для подтверждения и выхода.


- **Переместить:** выберите канал с помощью кнопок курсора. Нажмите кнопку с цифрой 2, затем нажимайте кнопки курсора ВВЕРХ/ВНИЗ, чтобы выбрать новую позицию для выбранного канала. Нажмите кнопку MENU на ПДУ для подтверждения и выхода.

- **Пропуск:** выберите канал с помощью кнопок курсора. Нажмите кнопку с цифрой 3, чтобы выбрать этот канал для пропуска.


 Экранное меню Вашего телевизора может быть изменено без предварительного уведомления и, следовательно, отличаться от меню, представленного в настоящем Руководстве.

Операции с USB

Вставьте USB-накопитель в USB-порт данного устройства. Выберите источник сигнала USB и нажмите кнопку ОК. На дисплее отобразится интерфейс воспроизведения файлов с USB, в котором Вы можете выбрать с помощью кнопок курсора ВЛЕВО/ВПРАВО и кнопки ОК воспроизведение музыки, фото, видео или текстов

 Поддержка USB: версия USB 2.0, максимальный объем 500 ГБ; файловые системы FAT16, FAT32, NTFS. Корректная работа устройства гарантирована только при использовании лицензионных USB-накопителей известных производителей. Воспроизведение некоторых форматов аудио, видео и изображений может не поддерживаться.

- Данное устройство поддерживает видеофайлы с расширением ASF, AVI, MKV, MPG, M2TS, MP4, TS с видекодеками DIVX, H264, MPEG-4, MPEGII, MPEGI, XVID и аудиокодеками AAC, AC3, WMA, MP3.

 Приведенный выше список расширений и кодеков является только информативным и не является обязательством по чтению всех файлов с указанными расширениями и кодеками.

Согласно стандарту USB 1.1/2.0 использование USB-устройства с током потребления более 500 мА не рекомендуется без использования дополнительного источника питания. Подключение без дополнительного питания USB-носителей, потребляющих ток, который превышает данное значение, а также неисправных USB-носителей может вызвать механические или термические изменения элементов конструкции данного устройства, а также выход из строя внутренних элементов защиты USB-порта. Такие повреждения не являются гарантийным случаем.

Внимание: использование внешних USB-устройств, содержащих файлы с расширением BIN в корневой директории, может

привести к сбоям в работе устройства или к повреждению программного обеспечения.

Воспроизведение файлов

- Для возврата на предыдущий уровень меню выберите «Возврат» и нажмите кнопку ОК.

- В меню содержимого нажимайте кнопки курсора, чтобы выбрать папку или файл, затем нажмите кнопку ОК, чтобы войти в выбранную папку. Тем же образом выберите файл, который хотите просмотреть или прослушать. Нажмите кнопку ОК или PLAY на ПДУ для воспроизведения файла.

- Во время воспроизведения нажмите кнопку INFO; в нижней части экрана отобразится меню управления воспроизведением, в котором Вы можете выбирать операции с помощью кнопок курсора ВЛЕВО/ВПРАВО и подтвердить выполнение этой операции кнопкой ОК. Операции представлены в таблице ниже:

	Воспроизведение или пауза	Все файлы
	Выбор предыдущего файла	Все файлы
	Выбор следующего файла	Все файлы
	Остановка воспроизведения и возврат к предыдущему меню	Все файлы
	Выбор режима повторного воспроизведения	Все файлы
	Воспроизведение музыки в фоновом режиме при просмотре фото или текста (сначала необходимо выбрать аудиофайл)	Фото и текст
	Отображение списка воспроизведения	Все файлы

Управление устройством

	Отображение информации о файле	Все файлы
	Вращение изображения по часовой стрелке	Фото
	Вращение изображения против часовой стрелки	Фото
	Перемотка назад	Музыка
	Перемотка вперед	Музыка
	Выбор времени (момента) начала воспроизведения	Музыка
	Повторное воспроизведение фрагмента. Нажмите ОК для выбора начальной точки фрагмента; нажмите ОК для выбора конечной точки фрагмента	Видео
	Замедленное воспроизведение	Видео
	Покадровое воспроизведение	Видео
	Увеличение масштаба	Видео
	Уменьшение масштаба	Видео
	Выбор формата изображения	Видео

- Во время воспроизведения нажмите кнопку PAUSE на ПДУ, чтобы установить воспроизведение на паузу или продолжить его. Нажмите кнопку STOP для остановки воспроизведения.

- При воспроизведении файлов с изображениями нажимайте кнопку ROTATE на ПДУ, чтобы вращать изображение.

- При воспроизведении аудио- и видео-файлов нажимайте кнопки REV/FWD на ПДУ для ускоренного воспроизведения назад или вперед. Для выбора предыдущего или следующего файла нажимайте кнопки PREV/NEXT.

Руководство по устранению неисправностей

Ниже приводится таблица, в которой описаны простые меры, способные помочь Вам устранить большую часть проблем, могущих возникнуть при использовании данного устройства. Если нижеуказанные меры не помогли, обратитесь в сервисный центр или к ближайшему дилеру.

Неисправность	Причина	Решение
Изображение и звук отсутствуют, индикатор не горит	Шнур питания не подсоединен. Контрастность, яркость, резкость, цвет и громкость установлены на минимальное значение или телевизор находится в беззвучном режиме.	Подсоедините шнур питания. Установите нужное значение контрастности, яркости, резкости, цвета и громкости.
Изображение и звук низкого качества	Контрастность и цвет настроены неверно. Установлена неверная система цвета. Установлена неверная система звука.	Настройте контрастность и цвет. Установите правильную систему звука.
Изображение в режиме VGA некорректное	Параметры разрешения на компьютере установлены неправильно.	Отрегулируйте параметры разрешения компьютера.
Изображение «заснеженное»	Сигнал низкого качества.	Используйте исправный и качественный кабель.
Синий фон	Отсутствует видео сигнал или кабель плохо подсоединен/не подсоединен.	Подсоедините кабель должным образом.
Звук отсутствует	Отсутствует аудио сигнал или кабель плохо подсоединен/не подсоединен.	Подсоедините кабель должным образом. Установите правильную сигнальную систему.
ПДУ не работает	Батарейки установлены неправильно или устарели.	Убедитесь, что полярность соблюдена. Замените батарейки на новые.

Источники помех

В Вашем телевизоре приняты все самые современные меры для устранения возможных помех, тем не менее, изображение может искажаться под воздействием местных электромагнитных излучений. Лучше всего в подобных случаях попытаться перенести телевизор в другое место и подвести к нему лучшую антенну.

Общая информация

- РАДИОЧАСТОТНЫЕ ПОМЕХИ

Появление на изображении ряби может свидетельствовать о наличии вблизи телевизора коротковолнового радиопередатчика или радиоприемника.

- МЕДИЦИНСКОЕ ОБОРУДОВАНИЕ

Появление на экране «елочки» или частичное исчезновение изображения может быть связано с работой медицинского оборудования в близлежащей больнице или клинике.

- «СНЕГ» НА ЭКРАНЕ

В зоне приема слабых сигналов отдаленных телевизионных станций изображение становится нестабильным, а на экране появляются мерцающие белые пятна, так называемый эффект «падающего снега». В этом случае помогает более точная настройка антенны и применение антенного усилителя.

- ФАНТОМНЫЕ ИЗОБРАЖЕНИЯ

Появление на экране нескольких контуров изображения объясняется тем, что телевизионный сигнал отражается от окружающих построек, холмов, самолетов и других объектов. Свести такой эффект к минимуму можно, изменив направление антенны.

- АВТОМОБИЛЬНЫЕ ДВИГАТЕЛИ


Работающие неподалеку автомобильные двигатели и электромоторы могут создавать помехи в изображении в виде небольших полосок или дрожания изображения на экране.

Комплект поставки

1. Телевизор	1 шт
2. Пульт дистанционного управления	1 шт
3. Подставка	1 шт
4. Винт	1 шт
5. Информация для потребителя	1 шт
6. Гарантийный талон	1 шт
7. Руководство по эксплуатации	1 шт

Технические характеристики

Размер (диагональ)	31,5" (80 см)
Разрешение	1366 x 768
Формат экрана	16:9
Время отклика	8 мс
Угол обзора	176° по горизонтали/176° по вертикали
Система цветности	PAL, SECAM, NTSC
Система звука	B/G, DK, I, L
Стереозвук NICAM	2 x 8 Вт
Композитный аудиовидеовход RCA	+
Композитный аудиовидеовыход RCA	+
VGA-вход	+
HDMI-вход	+
Выход на наушники	+
Экранное меню на русском и английском языках	+
Прогрессивная развертка	+
Цифровой гребенчатый фильтр	3D
Таймер «сна»	+
Количество каналов	199
Телетекст	1000 страниц
Воспроизведение аудио-, фото- и видеофайлов через USB	+
Класс защиты от поражения электрическим током	II
Диапазон номинальных напряжений питания телевизора	~100–240 В; 50/60 Гц;
Потребляемая мощность телевизора	55 Вт
Удельная мощность рабочего режима	0,02 Вт/см ²
Потребляемая мощность в режиме ожидания	0,3 Вт
Потребляемая мощность в выключенном режиме	0 Вт
Размеры устройства: без подставки	730 x 477 x 75 мм
с подставкой	730 x 430 x 75 мм
Масса нетто	4.0 кг

 ЖК-панель является высокотехнологичным устройством, содержащим множество тонкопленочных транзисторов, которые дают четкие детали изображения. В некоторых случаях могут появляться неактивные точки на экране, которые имеют постоянный цвет (синий, зеленый, красный, черный или белый). Это не является дефектом и не влияет на характеристики Вашего ЖК-телевизора.

Технические характеристики могут быть изменены заводом-изготовителем без предварительного уведомления. Указанные геометрические размеры имеют приблизительные значения.

TF-LED32S34_IM_01