

TELEFUNKEN



**LED TV/
Телевизор цветного
изображения с
жидкокристаллическим
экраном**

TF-LED24S21T2



**Instruction manual
Руководство по
эксплуатации**

Table of contents

Dear customer!

Thank you for purchasing our product. For safety, it is strongly recommended to read this manual carefully before connecting, operating and/or adjusting the product and keep the manual for reference in the future.

Table of contents	2
Before you start	3
Utilization of the product	3
Important safeguards	3
Installation	4
Base installation	4
Wall mounting	5
Connection	5
Outdoor antenna connection	5
Other connections	5
Operation	6
Control elements	6
Front panel.....	6
Back panel.....	6
Remote controller	7
Changing the battery	8
General operations	8
Signal sources	8
Teletext operations.....	8
OSD operation	9
Picture.....	9
Sound	9
Time.....	10
Channel.....	10
Option.....	10
Lock.....	11
Personal Video Recording (PVR).....	11
Electronic Program Guide (EPG)/TimeShift ..	12
CI Information	12
USB operation	12
General playback information	12
Operations of file playback	13
General information	14
Troubleshooting	14
Causes of interference	14
Accessories	14
Specifications	15

Utilization of the product

If you want to dispose of this product, do not mix it with general household waste. There is a separate collection system for used electronic products in accordance with legislation that requires proper treatment, recovery and recycling.

Please contact your local authorities for the correct method of disposal. By doing so, you will ensure that your disposed product undergoes the necessary treatment, recovery and recycling and thus prevent potential negative effects on the environment and human health.

Important safeguards

- Please unplug the power cord from the AC outlet and contact a service center for repair if following occurs: any obvious abnormality appears in the unit, such as smoky, peculiar smell or strange sound; liquid has been spilled or other objects have fallen into the unit; no picture or sound; cover or panel is broken; although you have operated the unit following the operating instructions, it still cannot work normally.

- This unit can be connected to a power supply outlet without the third ground contact as well as with a ground contact.

- Always disconnect the power cord and antenna during a thunderstorm.

- Do not fix the power cord with a metal nail.

- Unplug the power cord from the AC outlet; also unplug the signal cables from the input ports when the unit is unused for long periods of time.

- When unplugging the plug, always hold the wide slot, do not touch the metal part, and do not destroy, twist, pull or heat the power cord.

- Please contact the service center immediately if you found that the cable core is bare or has been broken.

- Please replace the AC outlet if the metal plug cannot be inserted into the power socket completely or it cannot be fastened even when it was pushed in, otherwise, any accidents of shocks and fires could happen.

- Never touch the antenna or power plug

during a thunderstorm.

- Do not touch the power plug with wet hands.

- Do not use any non-rated power socket with numerous devices plugged into it. The wire of non-designated capacity may cause fire due to heat generation.

- All instructions must be read and understood well before you operate the unit. Heed all warnings and follow all instructions.

- Please use the accessories provided by the manufacturer. Using inadequate accessories may result in accidents.

- Please adjust the product through the panel buttons or the remote controller, do not remove the cover or attempt to service the product by yourself. Do not disassemble back cover and do not make maintenance by yourself to avoid the electric shock.

- Excessive pressure on the panel may damage the unit.

- Do not place the product on an unstable cart, stand surface, tripod, bracket, or table.

The product may fall, causing serious accidents as well as damage to the product.

- Please place the product on a flat surface in a well-ventilated location. Keep it away from open fire, direct sunlight, vibration, high temperature and humidity.

- Do not place any vases, potted plants, cups, medicines or any other liquid containing objects on the unit. Spillages may cause fire, electric shock or breakdown.

Before you start

- Do not install the unit in locations with a strong magnetic or current field as it may cause malfunction. Picture deterioration due to electromagnetic radiation in this environment is also possible.
- Do not place any fire source such as candles close or on this product. If tipped over or fallen down, it may cause damage or fire.
- Do not place the unit into closed space of TV for better ventilation; it can reduce the product lifetime. Keep a space at least 10 cm at above, left, and right of the TV.
- Please place all the signal cords behind the rear panel.
- Do not overexert or touch the panel when carrying the product. Do not transport the LED TV with the display faced up or down.
- Do not transport the unit with the power cord or the connection cable connected as it may damage the power cord, connection cable or connection terminal which may cause fire, electric shock or breakdown.
- Make sure that 2 persons or more carry the device heavier than 18 kg. Dropping or tipping over the device may damage it.
- The temperature of the product's body becomes a little higher after a long period of use. This indicates that heat exchange is in normal working mode, thus please do not let children or anyone who is sensitive to temperature touch the unit.

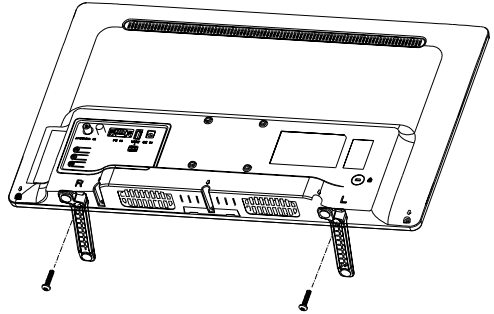
All images provided herein are schematic drawings of real objects and may differ from their real life images.

WARNING

In order to avoid damage, make sure to secure the unit on the wall according to the wall mounting instruction.

Installation

Base installation:



Place the LED TV on a solid flat surface. Use soft material to place over the front screen to avoid any damage.

Align the stands with the holes in the lower part of the TV cabinet and fix the assembly with two T4X18 screws.

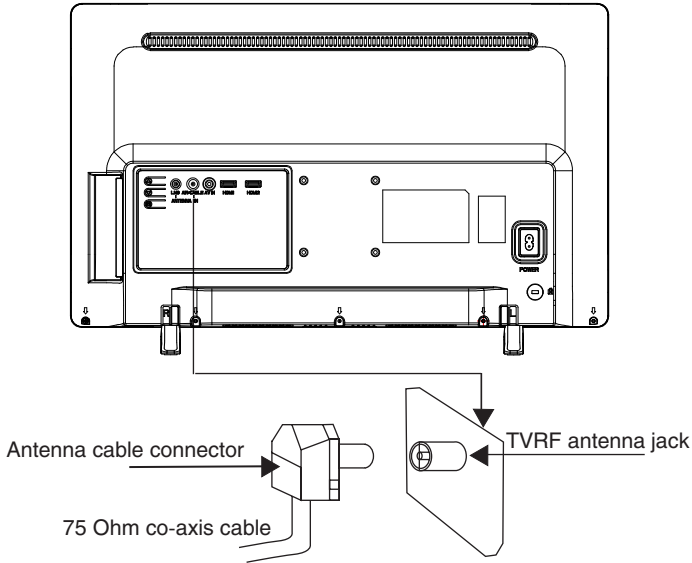
Wall mounting

For wall mounting the back panel of this unit is equipped with 4 screw holes (spread distance 75*75 mm). A VESA wall-mount bracket should be used for wall mounting (the bracket is not included and should be acquired separately).

Due to construction peculiarities, it is not recommended to mount TVs on walls using swinging and tilting brackets. Such a mounting may not be steady.

Manufacturer is not responsible for improper mounting resulting in damage of the unit.

Connection



Outdoor Antenna Connection

Use 75Ω coaxial cable plug or 300-75Ω impedance converter to plug in antenna input terminal on the rear of the unit casing.

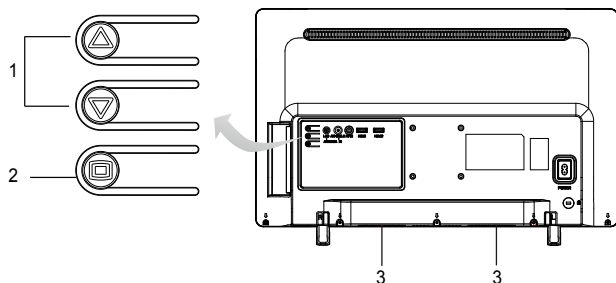
Other connections

- Connect audio and video sources (Including DVD, VCD, CAMCORDER and PC) to the AV input using the included AV cable.
- Plug the power cable in the electric outlet, making sure the current voltage is supported.
- If the video source has a HDMI output jack, you can connect the signal to the TV by the HDMI cable (not included).

- Connect your headphones or earphones (not included) to the headphone socket of this unit. When earphones are connected, the sound output through the built-in speakers of this unit is mute.
- PCMCIA slot is used for CI modules that are obtained from your digital TV provider.
- The service port is used for updating the TV software by qualified technicians only.

Operation

Control elements



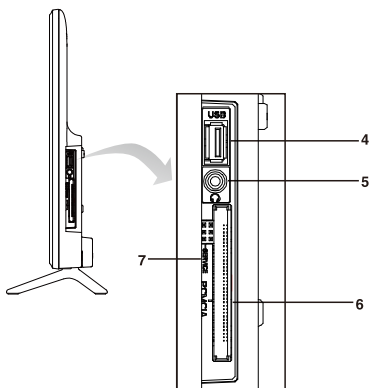
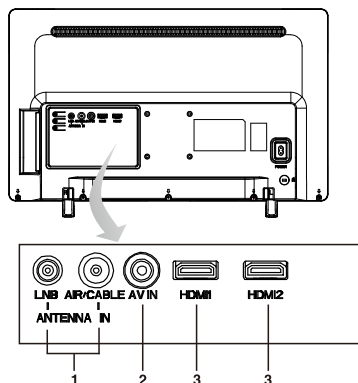
1. UP/DOWN/LEFT/RIGHT buttons
2. ENTER/BACK/TURN ON/OFF button
3. Speakers

Turn on the TV

Press and wait for about 2 seconds, TV will be turned on.

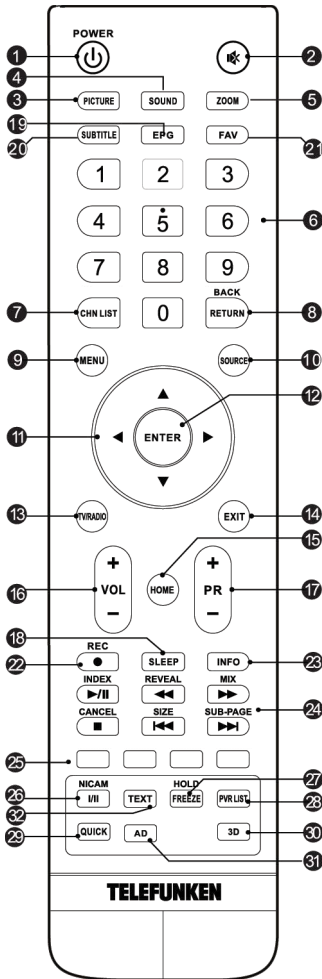
Menu select

1. Press to open the OSD, from left to right, the icons are main menu, source and sound volume. Press or button to select a menu and press button to access it.



1. Antenna input
2. AV input
3. HDMI inputs
4. USB port
5. Headphones socket
6. PCMCIA slot
7. Service port

Remote controller (RC)



1. STANDBY(POWER): Standby turn on and off.
2. MUTE: Mute the sound.
3. PICTURE: Select the picture mode.
4. SOUND: Select the sound mode.
5. ZOOM: Zoom in or out the current picture.(Some pictures or videos may not be operated.)
6. Number buttons: Press these keys to select a channel.

7. CHN.LIST: Access the channel list.
8. RETURN: Return to a previous channel.
9. MENU: Enter or exit the TV menu.
10. SOURCE: Select the signal source.
11. Cursor buttons: UP/DOWN/LEFT/RIGHT.
12. ENTER: Press to confirm and execute a selection.
13. TV/RADIO: Switch between TV and radio.
14. EXIT: Exit any menu or operation.
15. HOME: Not available.
16. VOLUME UP/DOWN: Adjust the sound volume.
17. PROGRAM UP/DOWN: Select the next/previous channel.
18. SLEEP: Select the period after which the TV switches to standby.
19. EPG: Display the Electronic Program Guide (EPG) in DTV mode.
20. SUBTITLE: Show or hide the subtitles.
21. FAV.: View assigned favorite channels, press UP/DOWN to select, ENTER to confirm.
22. REC (●): Record the current program.
23. INFO: Display information on the current source.
24. USB playback control buttons/Teletext buttons:
PLAY/PAUSE (⏸): Press to pause playback, press again to resume.
STOP (■): Stop the playback and return to filelist.
FAST BACKWARD/FAST FORWARD (⏮/⏭): Fast reverse/fast forward the playing file.
PREVIOUS/NEXT (⏪/⏩): Play the previous/next file.
- For **Teletext** operations refer to "Teletext operations" section below
25. Color buttons: Access red, blue, green and yellow items in menus
26. NICAM: Select the sound output (Mono, Stereo, SAP) depending on the broadcasting channel.
27. FREEZE/HOLD: Freeze/unfreeze the current picture.
28. PVR LIST: Display the recorded files list.
29. QUICK: Not available.
30. 3D: Not available.
31. AD: AD (Audio Description) is a spoken narrative of what is happening on the screen.

Operation

Changing the battery

1. Remove the battery compartment cover on the back of the RC.

2. Insert two AAA batteries into the battery compartment making sure that the correct polarity is observed.

3. Put the cover back.

- The RC should be pointed at remote sensor within 8 meters and within 30 degrees at the left or the right side.

- Take the battery out of the RC if it is not used for a long time.

- Do not mix new and used batteries or different types of batteries. Weak batteries can leak and severely damage the RC.

- Do not expose the RC to shock, liquids, and do not place it in an area with high humidity.

General operations

- Press POWER button on the unit or on the RC to switch on the power, the indication on the unit will light up. Press POWER button again to switch off the power, and the light will be in red color.

- Press VOL- button repeatedly to decrease the volume; press VOL+ button repeatedly to increase the volume.

- Press RETURN button on the RC to select from the present channel and the previously displayed channel.

- Press MUTE button to cut off sound, press this button again or adjust volume to resume sound.

- Press PR-/PR+ buttons to select previous or next channels; or press number buttons to enter a channel number directly.

- Press PICTURE button repeatedly to cycle through available video picture modes.

- Press SOUND button repeatedly to cycle through available sound modes.

- Press NICAM button in TV mode repeatedly to switch between Stereo, Mono, SAP sound modes (can be unavailable for some channels).

- Press FREEZE button to freeze the picture on or off.

- Press FAV. button to show the favourite channel list. Press UP/DOWN to select next or previous favorite channel. Press ENTER to confirm.

Signal sources

Press SOURCE button, then press DOWN/UP cursor buttons on the RC or PR UP/PR DOWN buttons on the panel to select a source from available source list: DVBT - DVBC - ATV - AV - PC - HDMI - USB. Press ENTER button on the RC or FUNCTION button on the panel to confirm.

TELETEXT operations (option)

- Select the TV source mode. Then press PR-/PR+ buttons to select TV channel in order to pick up the picture signal of Teletext.

- Press PR-/PR+ buttons to select the previous page or the next page.

- Teletext button functions are as follows:

HOLD: Press this button to stop the move to the next page. Press this button again to cancel operation.

INDEX: Press this button to go to the index page.

CANCEL: Press this button to cancel the teletext; press again to show the teletext.

REVEAL: Press this button to reveal the concealed information. Press this button again to conceal the information.


SUBPAGE: Press this button to select sub page, then press Red/Green buttons to select the desired subpage.

MIX: Press this button to mix the teletext and current TV signal image (transparent background).

RED/GREEN/YELLOW/BLUE buttons: Press these 4 color buttons to access directly to corresponding color page displayed at the lower parts of teletext screen.

OSD operation

1. Press MENU button to enter the main menu.
2. Press LEFT/RIGHT cursor buttons on the RC or VOL UP/DOWN buttons on the panel to select a specific menu.
3. Press UP/DOWN cursor buttons or PR UP/DOWN buttons on the panel to select a specific item.
4. Press ENTER button on the RC or SOURCE on the panel to enter the selected item.
5. Press cursor buttons on the RC or VOL UP/DOWN or PR UP/DOWN buttons on the panel to adjust the selected parameter.
6. Press MENU/EXIT to quit the menu.

 Some menu items may be in grey color, in this case they are not adjustable. Pictures of OSD menu are for reference only; they may differ from the real screens.

Picture

Picture Mode
 Brightness
 Contrast
 Color
 Tint
 Sharpness
 Color Temperature
 Aspect Ratio
 Noise Reduction
 MPEG NR

PICTURE

- **Picture Mode:** Select the automatic picture control mode. Choices are Dynamic, Standard, Mild and User.
- **Color Temperature:** Select the overall color tone of the picture. Choices are Cool, Medium, Warm and User.
- **Aspect Ratio:** Select the aspect ratio (display

proportions) according to your video signal type or preference. Choices are 16: 9/4: 3/Just Scan /Zoom1/ Zoom2. (Note: Some options may not be available under some sources.)

- **Noise Reduction:** Eliminates noise in the picture. Choices are Off/Low/Middle/High. (Not useful at PC source.)
- **MPEG NR:** Eliminates noise generated while creating digital picture signals. Choices are Off/Low/Middle/High. (Not useful at PC source.)
- **Screen (May not be available):** Select PC-VGA source, in picture settings select screen, you can set below items.
 - Auto Adjust: Adjust the screen automatically.
 - H. Position: Adjust the horizontal position.
 - V. Position: Adjust the vertical position.
 - Size: Adjust the size.
 - Phase: Adjust the phase.

Sound

Sound Mode
 Bass
 Treble
 Balance
 Auto Volume
 Surround Sound
 AD Swith

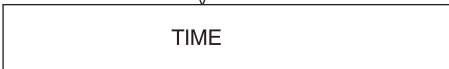
SOUND

- **Sound Mode:** Select your favorite sound mode for each input. Choices are Standard/ Music/Movie/Sports/User.
- **Bass:** Adjusts the lower frequency of the sound.
- **Treble:** Adjusts the higher frequency of the sound.
- **Balance:** Control the sound balance between the right and left loudspeaker (earphone).
- **Auto Volume:** Adjust the volume corresponding to the input audio level. Contain On and Off.

Operation

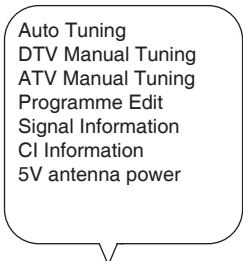
- **Surround Sound:** Turns on the Sound Retrieval System.
- **AD Swith(Only available in DTV mode):** Turn on the Audio description, you can activate the setting of AD volume. When turn on the audio description, a narrator will describe what is happening on the screen for blind or visually impaired viewers.

Time



- **Time Zone**
- **Auto Sync**
- **Clock**
- **Summer Time**
- **Sleep Timer**
- **Auto Sleep**

Channel



- **Auto Tuning:** Select DVB-T or DVB-C and press ENTER button to access next step, then search and store programs automatically. If you want to stop the auto search, press MENU button or EXIT button, a exiting dialog is popped out.
- **Advanced Tuning:** Access the satellite settings essential for searching programs through DVB-S source.
- **Satellite Dish Settings**
- **DTV Manual Tuning:** Search and store programs manually.
Channel→DTV Manual Tuning
Select the source type(DVB-T or DVB-C) and search digital programs manually. In Channel menu, select DTV Manual Tuning and press ENTER button to access.
- **ATV Manual Tuning:** First select the source type of ATV. Then in Channel menu, select ATV Manual Tuning and press ENTER button to access.
- **Program Edit:** Edit the programs. You can press color buttons on the remote control to skip programs, rename and delete programs or move programs, and add programs to the favorite list by pressing FAV button.
- **Signal Information:** Showing the information of current DTV channel.
- **CI Information:** Enables the user to select from the CAM-provided menu. Select the CI menu based on the menu PC Card.
- **5V Antenna Power:** This option is only available in DVB-T source, select On to supply power for the TV's antenna; Select Off to turn off this function.
- **Software Update (OAD) (Only for some regions):** Select On to allow the TV to update the system software over the air. Select Off will turn off this function.
- **OAD Tuning (Only for some regions):** When software update (OAD) is off, this option is disable. Select OAD scan mean that go toscan channel to find the OAD update information.

- **LCN ON/OFF (Only for some regions):** When tuning programs, select ON, the channel list is sorted according to LCN; select OFF, the channel list is sorted according to the default order.

Option

OSD Language
Audio Languages
Subtitle Languages
TTX Language
TIME
HDMI CEC
PVR File System
Restore Default
SW Update(USB)

OPTION

- **OSD Language:** Select the OSD language.
- **Audio Languages /Subtitle Languages (Note1):** Select as your desire.
- **TTX Language:** Select TTX language for different regions.
- **Time:** Can setup Auto Sync, Clock, Time Zone, Summer Time, Sleep Timer and Auto Sleep.
- **HDMI CEC:** Press to enter into submenus. HDMI CEC - Turn on or off HDMI CEC function. Auto Standby - Turn the TV to standby automatically. Device List - When HDMI CEC is on, you check the device list of connecting to the TV.
- **PVR File System(Note1):** Personal Video Record setting. If you want to use this function, you must have received a digital program and connected a USB disk.
- **Restore Default:** Restore user setting to the default.

- **Software Update (USB):** Connect a USB device with upgrading software to upgrade the TV system.

Lock

LOCK System
Set Password
Block Program
Parental Guidance

LOCK


- **Lock system:** Input the initial password (0000) to access this feature, select "on", the following feature such as "Set password", "Block program" and "Parental guidance" will be activated; select "off", the above mentioned three features will be inactivated. If you forget the password, you can also input the super password (8899) to enter into the lock system.
- **Set Password:** Reset the password.
- **Block Program:** Set the blocked programmers as your desire.
- **Parental Guidance:** Set it to guide the programs for children to watch.

Personal Video Recording (PVR)

Insert a USB, the system will automatically create a folder to store the files recorded. Recording begins when REC button is pressed, and it records all the time until STOP button is pressed or the memory is full. Press EXIT to quit recording mode. Press PVR.LIST to show the list of recorded files. Using the OSD menu you can also pause, stop, fast reverse and fast

Operation

forward the recording.

 Please note the following about PVR:

- USB storage device must have the capacity of at least 512 MB and support the USB 2.0 standard. Some non-standard storage devices may not be supported
- Try formatting the inserted storage device when you have trouble recording.
- Do not disconnect the device while the formatting is in progress. When you format the device, all data on it is deleted. It may be advisable to back up your files before formatting.
- If the USB storage device has several partitions, the PVR system can record the data on any one of them.

Electronic Program Guide (EPG) and Time Shift

Press EPG button to display the Programme Guide menu. This function gives you the detailed information of the channel, indicating the time of the program playing. From the Programme Guide it is possible to check the program information for the next eight days (If the information is available from the broadcaster). Press MENU/EXIT button to quit.

Time shift is a feature enabling you to record a TV program while you are away to watch it later at convenient time.

- **Record:** Press Red button to set the parameters of recording. The unit is able to do schedule recording when TV is turning on or in standby mode. You can set up several schedule recording. Different schedules should not overlap. When recording starts in standby mode, the front indicators will change color and there will be no picture or sound from the unit.


You can press the POWER button to light up the screen.

- **Info:** Press Green button to see the detailed information of the current channel.
- **Schedule:** Press Yellow button to display the schedule list.
- **Remind:** If you find the desired program which will be shown in the future. Press Blue

button to book program.


CI Information

This function enables you to watch some encrypted services (pay services). Please insert a CI card into the PCMCIA slot according to the arrow on the CI card.

-  The function can only be available when CI card is present.
- It is possible for you to change CI (Common Interface) menu screen and service by consulting your dealer.
- Please do not insert or pull out the CI card when power on. During initialization of the CI card, please don't operate the TV.
- Do not insert or pull out the CI card frequently so as to avoid any damages of the TV and the CI card.
- If there is no picture and/or sound with the CI+ CAM module inserted, please contact the customer support of the service provider.

USB operation

General playback information

- Insert a USB drive into the USB port. Select USB as the source. The screen will show a USB playback window, in which you can select Video, Music, Photo and Text modes by pressing LEFT/RIGHT cursor buttons and OK button.
- USB file systems supported: FAT16, FAT32 ; maximum capacity 1 TB. For correct and satisfactory operation, licensed USB devices of well-known brands should be used. Avoid using USB devices of unknown brands. Playback of some file formats cannot be supported.
- This unit supports playback of video files with ASF, AVI, MKV, MPG extension, with video codecs WMV9, H263, MPEG-4, MPEG11, XVID and audio codecs WMA, MP3, DD(AC3).
-  The above list of extensions and codecs is for information only and is not a guarantee that all files having the above extensions and codecs should be read by this unit.

- Some AVI files cannot be played due to their parameters and recording conditions. Video files with AVI extension exceeding 2 GB in size may be played partially.

According to the USB 1.1/2.0 Standard, usage of a USB device with power current consumption exceeding 500 mA is not recommended without supplementary power supply. Failure to use supplementary power for connected USB drives with power consumption exceeding this value as well as defective USB drives may cause mechanical or thermal changes of elements of this unit as well as failure of internal elements of the USB port. Such damages are not warranty cases.

Warning: usage of external USB drives containing BIN files in the root directory may cause malfunction of the unit or damage to the software.

General operations of file playback

- Press cursor buttons to select Return option and press ENTER button if you want to go back to the previous menu.
 - In the content menu, press cursor buttons to select folder, press ENTER button to enter it, then press cursor buttons to select the file you want to watch or to listen to. When highlighting the file, the file information will appear on the right and picture will be previewed in the center (not available for music files). Press ENTER button or ►|| button to play the selected file.
 - While playback, press INFO button; the bottom of the screen will show playback menu in which you can select an operation by LEFT/RIGHT cursor buttons on perform this operation by pressing ENTER button.
 - While playback, press ►|| button to pause or resume playback. Press ■ button to stop playback.
 - When you select a file to play, you can delete the selected file by pressing Red button on the RC.
 - When playing music files you can press ◀◀ /▶▶ buttons to fast reverse or forward. You can press ◀◀▶▶ buttons to select the desired files

manually in normal condition.

- When playing photo files, you can press ◀◀▶▶ buttons to page up or page down the file. Press LEFT/RIGHT cursor buttons to rotate the image.
 - Press RETURN button to stop playback and return to the previous menu screen.

General Information

Troubleshooting

Below is a table describing simple measures that can help you eliminate most problems likely to emerge when this unit is in use. If below measures do not help, turn to a service center or to the nearest dealer.

Symptom	Cause	Solution
No picture, no sound, and no indicator light	The power cord is not plugged in. Contrast, brightness, color and volume are all in the minimum value or TV is in mute mode.	Plug the power cord in. Alter the value of contrast, brightness, color and volume.
Picture and sound with abnormality	Contrast and color are set improperly. Color system is set improperly. Sound system is set improperly.	Set the value of Contrast and color properly. Set the sound system properly.
The picture in VGA mode is abnormal	The PC settings may be improper.	Check and set the resolution parameters of your PC.
Picture is spotted or with snow	Signal source is low-grade or the signal is in a lower quality.	Use the qualified signal cord.
Blue background	No video signal or the signal cord is improperly/not connected.	Connect the signal cord properly.
No sound	No audio signal or the signal cord is improperly/not connected.	Connect the audio signal cord properly. Set the sound system properly.
The RC does not work	Batteries are improperly installed or exhausted.	Make sure the positive and the negative polarities are correct. Reattach the battery lid. Replace the batteries.

Causes of interference

Incorporated in your TV receiver are the most up-to-date devices to eliminate interference. Local radiation however, can create disturbances, which visibly affect your picture. Proper installations, a good aerial are your best safeguards against these disturbances.


- **RF INTERFERENCE:** Moving ripples across the screen are caused by nearby transmitting or receiving short-wave radio equipment.
- **DIATHERMY:** Herringbone pattern and partial picture loss can result from the operation of diathermy equipment from a nearby doctor's surgery or hospital.
- **SNOW:** Weak TV signals from long distant stations result in an instead picture and give the effect of falling snow. An antenna adjustment or antenna amplifier may be needed.
- **GHOST:** Multiple image, caused by TV signals reflected back from surrounding buildings, hills, aircraft, etc. is minimized by correct aerial positioning.
- **CAR IGNITION:** Nearby cars and electrical motors can cause small streaks across the picture or make the picture roll.

Accessories

1. LED TV	1 pc	5. Stand	2 pcs
2. Remote controller	1 pc	6. AV cable	1 pc
3. Batteries	2 pcs	7. Consumer information	1 pc
4. Screw	2 pcs	8. Warranty card	1 pc
		9. Instruction manual	1 pc

Specifications

Size (diagonal)	23.6" (60 cm)
Resolution	1366 x 768
Aspect ratio	16:9
Response time	8.5 ms
Color system	PAL/SECAM
Sound system	B/G, DK, I
NICAM Stereo	2 x 3 W
AV input	+
HDMI in	x2
Headphone jack	+
Russian and English OSD	+
DVB-T/DVB-T2/DVB-C signal reception	+
PCMCIA slot (CI, CI+ support)	+
PVR/Time Shift function	+
Progressive scan	+
Digital comb filter	3D
Sleep timer	+
USB movie, audio and photo support	+
Quantity of channels	100 analog/1000 digital
Teletext	1000 pages
Electric shock protection class	II
Nominal voltage range of the LED TV:	~100–240 V; 50/60 Hz
Unit dimensions, mm: with stand	561.7 x 131.5 x 370.8
without stand	561.7 x 56 x 338.2
Net weight	3.4 kg
Operating conditions	
Ambient temperature	from 5 to 35 °C
Relative humidity	from 45 to 75%
Atmospheric pressure	from 86 to 106 kPa (650-800 mm Hg)

 The LED panel is a high technology product with many thin film transistors that can give you a fine picture details. Occasionally, a few non-active pixels may appear on the screen as a fixed point of blue, green, red, black or white, please note that this does not affect the performance of your LED TV.

Warning: Specifications may be subject to change without notice for improvement.

General information

Уважаемый покупатель!

Благодарим Вас за покупку нашего изделия. Чтобы понять, как правильно и безопасно пользоваться приобретенным устройством, рекомендуется тщательно изучить настоящее руководство перед подключением и эксплуатацией изделия. Сохраняйте руководство для использования в будущем.

Содержание	17
Перед началом эксплуатации	18
Утилизация изделия	18
Меры предосторожности	18
Установка	20
Установка на подставку	20
Крепление на стену	20
Подключение	21
Подключение внешней антенны	21
Прочие подключения	21
Управление устройством	22
Элементы управления	22
Передняя панель	22
Задняя панель	22
Пульт дистанционного управления	23
Установка батареек	24
Общие операции	24
Источники сигнала	24
Операции с телетекстом	24
Экранное меню	25
Изображение	25
Звук	25
Время	26
Канал	26
Опции	27
Блок	27
Запись цифровых программ (PVR)	28
Электронный телегид (EPG)/TimeShift	28
Интерфейс CI	28
Операции с USB	29
Общая информация	29
Воспроизведение файлов	29
Общая информация	31
Руководство по устранению неисправностей	31
Источники помех	31
Комплект поставки	32
Технические характеристики	32

Перед началом эксплуатации

Утилизация изделия

Если вы желаете утилизировать данное изделие, не выбрасывайте его вместе с обычным бытовым мусором. Существует отдельная система сбора использованных электронных изделий в соответствии с законодательством, которая предполагает соответствующее обращение, возврат и переработку.

Обращайтесь в органы местного управления за инструкциями по правильной утилизации продукта. Тем самым Вы обеспечите утилизацию Вашего изделия с соблюдением обязательных процедур по обработке, утилизации и вторичной переработке и, таким образом, предотвратите потенциальное негативное воздействие на окружающую среду и здоровье людей.

Меры предосторожности

- Пожалуйста, извлеките шнур питания из розетки и свяжитесь с сервисной службой в следующих случаях: если в устройстве имеются явные неисправности, например, из него идет дым, чувствуется специфический запах или слышен нехарактерный звук; если внутрь устройства попала жидкость или посторонние предметы; если нет изображения или звука; если поврежден корпус или панель; если Вы пользуетесь устройством согласно инструкции, но оно не работает должным образом.
 - Данное изделие может подключаться к розетке питания как без заземляющего третьего контакта, так и с заземляющим третьим контактом.
 - Во избежание поражения электрическим током защищайте шнур питания от возможного нажатия на него или заземления, особенно рядом с разъемами.
 - Не закрепляйте шнур питания метизами.
 - Если Вы не пользуетесь устройством длительное время или в случае грозы обязательно отключайте шнур питания из розетки, а также отключайте все сигнальные кабели от входных разъемов.
 - При отключении вилки из розетки всег-

да держитесь за утолщение на вилке, не касайтесь металлических частей, не тяните за шнур и не ломайте и не перегибайте его, не ремонтируйте, не перекручивайте и не нагревайте.

- Немедленно свяжитесь с сервисным центром, в случае если имеются какие-либо неисправности шнура питания, в нем оголились жилы или он поврежден.
- Замените сетевую розетку, если в нее невозможно вставить вилку или вилка плохо закрепляется в розетке. Иначе могут возникнуть неисправности или произойти несчастные случаи или возгорания.
- Не прикасайтесь к проводам мокрыми руками.
- Запрещается использование розетки, в которую подключено несколько устройств. Перегрузка такой розетки может привести к пожару.
- Место подключения вилки шнура питания к сети 220 В должно оставаться легкодоступным.
- Перед работой с устройством необходимо полностью прочитать и понять все инструкции. Необходимо соблюдать все предупреждения и следовать всем инструкциям, приведенным в настоящем руководстве.
- Пожалуйста, используйте только рекомендованные производителем аксессуары.

Перед началом эксплуатации

Использование других аксессуаров может привести к неисправностям.

- Пожалуйста, проводите все настройки и регулировки только с помощью кнопок на передней и боковой панелях или на пульте дистанционного управления. Ни в коем случае не снимайте заднюю панель и не пытайтесь самостоятельно проводить техническое обслуживание устройства, так как существует опасность поражения электрическим током, а также возможно возникновение неисправностей.
- Не устанавливайте устройство на непрочные или неровные поверхности, тележки, стойки, треноги, кронштейны или столы. Устройство может упасть, в результате чего могут возникнуть неисправности или произойти несчастные случаи. Используйте только те приспособления, которые рекомендованы производителем или продавцом.
- Пожалуйста, устанавливайте устройство на горизонтальной поверхности в местах с хорошей вентиляцией. Не допускайте воздействия на устройство вибрации, прямого солнечного света, высокой температуры, а также попадания пыли и влаги.
- Не ставьте на устройство вазы, сосуды с жидкостью. Попадание жидкости внутрь аппарата может привести к пожару или поломке устройства.
- Не устанавливайте устройство в зоне магнитных волн. Это может привести к поломке устройства. В зоне электромагнитного излучения может наблюдаться искажение изображения.
- Не устанавливайте вблизи устройства источники открытого огня, например, свечи. В случае их падения устройство может быть повреждено или может произойти возгорание.
- Установка телевизора в замкнутое пространство при эксплуатации может сократить срок службы устройства; поэтому необходимо обеспечить минимальную дистанцию между LCD-телевизором и внутренними границами приспособления под аппарат для нормальной вентиляции

(минимум по 10 см свободного пространства со всех сторон).

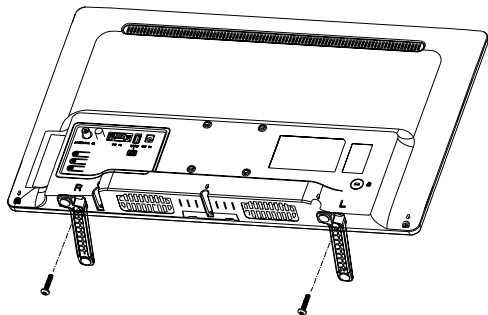
- Располагайте кабели позади устройства. Не закрепляйте их метизами, не перегибайте, не ремонтируйте и не нагревайте.
- При перемещении телевизора не нажимайте и не касайтесь панели. Не переносите телевизор в положении, при котором экран направлен вверх или вниз.
- Не перемещайте устройство при подключенном проводе питания или других подключенных проводах. Повреждение провода питания, подключенный провод или подключенные устройства могут стать причиной пожара, электрошока или поломки.
- Если устройство тяжелее 18 кг, его должны перемещать не менее 2 человек. При падении устройство может повредиться.
- Слишком сильное нажатие на панель может повредить устройство.
- При длительном использовании может немного повыситься температура корпуса устройства. Это явление свидетельствует о теплоотдаче в нормальном рабочем режиме. Однако не позволяйте детям и людям с повышенной температурной чувствительностью касаться устройства.

Все иллюстрации, приведенные в настоящем руководстве, являются схематическими изображениями, которые могут отличаться от реальных объектов.

Установка/Подключение

Установка

Установка на подставку



Выберите ровную плоскую горизонтальную поверхность, накройте ее мягкой тканью и разместите на ней корпус телевизора экраном вниз. Совместите отверстия на подставках с отверстиями на задней части корпуса телевизора и зафиксируйте с помощью двух винтов T4X18.

Крепление на стену

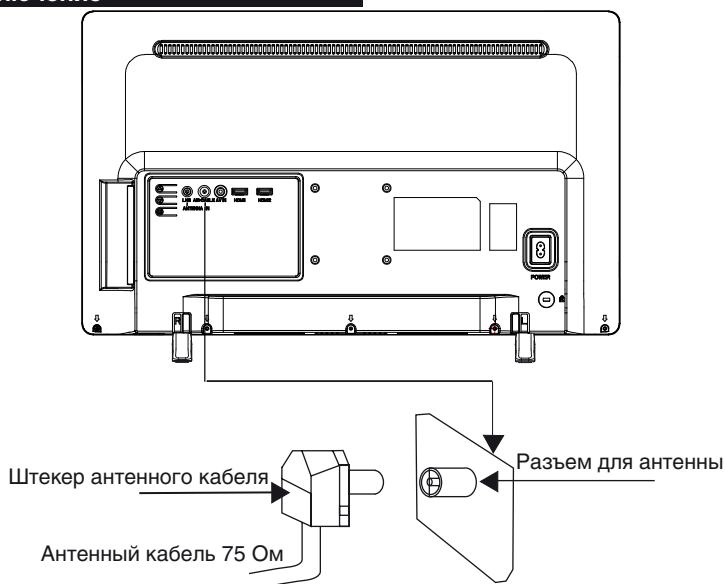
Для крепления на стену на задней панели телевизора имеются 4 отверстия (дистанция 75*75 мм). Для крепления следует использовать настенный кронштейн стандарта VESA (в комплект поставки не входит и приобретается отдельно).

Из-за особенностей конструкции, крепление на стену не рекомендуется осуществлять с помощью поворотных и наклонных кронштейнов. Такое крепление может быть ненадежным.

Производитель не несет ответственности за неправильно выполненный монтаж, повлекший повреждение телевизора.

ПРЕДУПРЕЖДЕНИЕ
Во избежание повреждений надежно закрепите аппарат на стене в соответствии с требованиями инструкции по установке.

Подключение



Подключение внешней антенны

Подсоедините антенну к соответствующему разъему. Используйте антенный кабель 75 Ом при подключении внешней антенны.

Прочие подключения

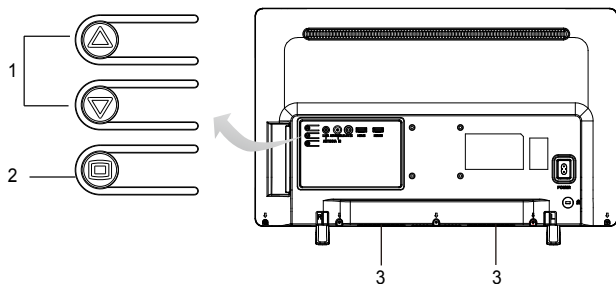
- Подсоедините источник аудио- и видеосигнала (DVD, VCD, PC) к аудиовидеовходу (AV) с помощью специального кабеля.
- Разъем питания предназначен для подключения телевизора к сети электрического питания.
- Если источник видеосигнала имеет HDMI-выход, подключите его к HDMI-входу телевизора, используя специальный HDMI-кабель (в комплект не входит).

- Подсоедините наушники к разъему для наушников. При подсоединенных наушниках звук через динамики телевизора не воспроизводится.
- Разъем PCMCIA используется для подключения CI-модуля, приобретаемого у поставщика услуг цифрового ТВ.
- Сервисный порт используется квалифицированными специалистами для обновления ПО телевизора

Для подключения дополнительных периферийных устройств используйте только сертифицированные кабели и переходники. Все соединения производите только после отключения основного питания телевизора от сети.

Управление устройством

Элементы управления



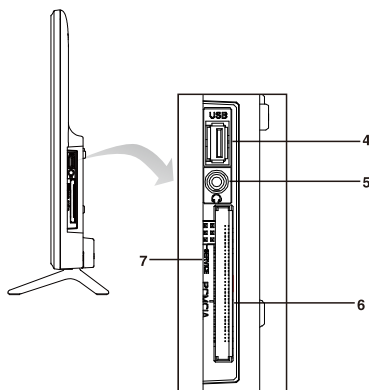
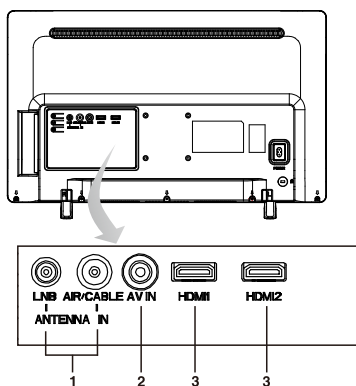
1. Кнопки ВВЕРХ/ВНИЗ
ВЛЕВО/ВПРАВО
2. Кнопка ВВОД/НАЗАД/
ВКЛ/ОТКЛ
3. Динамики

Включение ТВ

Удерживайте кнопку ВКЛ чтобы включить телевизор.

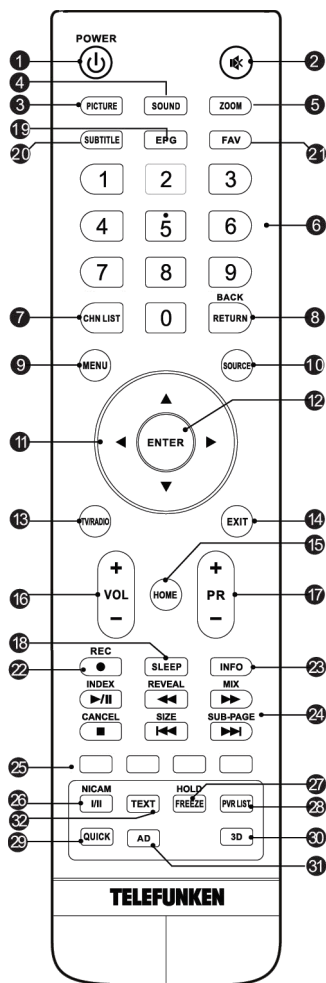
Выбор меню

Нажмите кнопку ВВОД для открытия экранного меню, далее выберите главное меню, меню источников сигнала и громкости звука. Для выбора используйте кнопки со стрелками, для подтверждения - кнопку ВВОД.



1. Антенный вход
2. Аудиовидеовход
3. HDMI входы
4. USB-порт
5. Разъем для наушников
6. Разъем PCMCIA
7. Сервисный порт

Пульт дистанционного управления



1. STANDBY (POWER): Переход в режим ожидания вкл/выкл.
2. MUTE: Выключить звук.
3. PICTURE: Выбор режима изображения.
4. SOUND: Выбор режима звука.
5. ZOOM: Приблизить изображение. (Доступно не для всех каналов/файлов).

6. 0-9: Кнопки для выбора канала.
7. CHN.LIST: Доступ к списку каналов.
8. RETURN: Возврат к предыдущему каналу.
9. MENU: Доступ к меню.
10. SOURCE: Выбор источника сигнала.
11. Кнопки курсора: ВВЕРХ/ВНИЗ/ВЛЕВО/ВПРАВО.
12. ENTER: Подтверждение выбора.
13. TV/RADIO: Выбор между ТВ и радио.
14. EXIT: Выход из любого меню.
15. HOME: функция недоступна.
16. VOLUME UP/DOWN: Регулировка уровня громкости.
17. PROGRAM UP/DOWN: Выбор следующего/предыдущего канала.
18. SLEEP: Выбор времени автоматического отключения телевизора.
19. EPG: Доступ к электронному телегиду.
20. SUBTITLE: Отобразить/убрать субтитры.
21. FAV.: Просмотр списка избранных каналов, нажимайте ВВЕРХ/ВНИЗ для выбора, ENTER для подтверждения.
22. REC (●): Запись текущей программы.
23. INFO.: Отображение информации о текущем канале, файле и т.д.
- 24*. Кнопки управления воспроизведением: PLAY/PAUSE (⏮|⏭): Пауза/возобновление. STOP (■): Остановка. FAST BACKWARD/FAST FORWARD (⏮|⏭): Сканирование назад/вперед. PREVIOUS/NEXT (⏮|⏭): Предыдущий/следующий файл.
25. Цветные кнопки: Доступ к красным, синим, желтым и зеленым элементам меню.
26. NICAM: Выбор аудиосигнала (Mono, Stereo, SAP) в зависимости от канала.
27. FREEZE/HOLD: Стоп-кадр.
28. PVR LIST: Отображение списка записанных файлов.
29. QUICK: функция недоступна.
30. 3D: кнопка не используется.
31. AD: Аудиоописание происходящего на экране для людей с ослабленным зрением.

* Кнопки управления телетекстом описаны в разделе «Операции с телетекстом» ниже.

Управление устройством

Установка батареек

1. Снимите крышку отсека для батареек на задней части ПДУ.
2. Поместите батарейки в отсек для батареек с правильным соблюдением полярности.
3. Установите крышку отсека на место.
 - Вставьте две батарейки AAA/1.5V в отсек для батарей ПДУ. Мощность сигнала, необходимая для приемного датчика, обеспечивается на расстоянии до 8 метров и в пределах 30 градусов влево и вправо.
 - Не используйте одновременно новые и использованные батарейки или батарейки разных типов.

Общие операции

- Нажмите кнопку POWER на панели телевизора или на ПДУ, чтобы включить питание. Нажмите кнопку POWER, чтобы выключить питание и перевести устройство в режим ожидания.
- Нажимайте кнопки VOL-/VOL+ для регулирования уровня громкости звука.
- Нажмите кнопку RETURN на ПДУ для переключения между текущим и предыдущим просматриваемыми каналами.
- Нажмите кнопку MUTE для отключения звука. Для включения звука нажмите эту кнопку повторно или регулируйте громкость.
- Выберите режим TV. Нажимайте кнопки PR-/PR+, чтобы выбрать предыдущий или следующий канал. С помощью кнопок с цифрами 0-9 можно непосредственно выбрать номер нужного канала.
- Нажимайте кнопку PICTURE для перемещения по меню режимов изображения.
- Нажимайте кнопку SOUND для перемещения по меню режимов звука.
- Кнопка NICAM позволяет переключаться между звуковыми режимами Stereo, Mono, SAP (доступно не для всех каналов).
- Нажмите кнопку FREEZE для включения стоп-кадра.
- Нажмите кнопку FAV. для отображения

списка избранных каналов. Нажимайте кнопки ВВЕРХ/ВНИЗ для выбора предыдущего или следующего канала. Нажмите ОК для подтверждения.

Источники сигнала

Нажмите кнопку SOURCE, затем нажмите кнопки курсора ВНИЗ/ВВЕРХ на ПДУ или кнопки PR UP/PR DOWN на панели, чтобы выбрать один из доступных источников сигнала: DVBT - DVBC - ATV - AV - PC - HDMI - USB. Нажмите кнопку ENTER на ПДУ или кнопку SOURCE на панели для подтверждения.

Операции с телетекстом (опция)

- Выберите режим TV. Затем с помощью кнопок PR-/PR+ выберите телеканал, подерживающий телетекст.
- Кнопки телетекста на ПДУ имеют следующие функции:
 - Кнопка HOLD: Нажмите, чтобы остановить переход к следующей странице. Нажмите кнопку повторно, чтобы отменить эту операцию.
 - Кнопка INDEX: нажмите для перехода к странице индекса.
 - Кнопка CANCEL: нажмите для скрытия телетекста, нажмите еще раз для отображения телетекста.
 - Кнопка REVEAL: Нажмите эту кнопку для отображения скрытой информации. Нажмите эту кнопку повторно, чтобы скрыть информацию.
 - Кнопка SUBPAGE: Нажмите эту кнопку для выбора подстраницы. Введите номер подстраницы в формате 0001.
 - MIX: Нажмите эту кнопку для перехода к смешанному отображению картинки ТВ и телетекста (в виде полупрозрачного фона).
- Красная/Зеленая/Желтая/Синяя кнопки: Используйте четыре цветовых кнопки для непосредственного перехода на страницу, имеющую цветовой код, которая отображается в нижней части страницы телетекста.

Экранное меню

1. Нажмите кнопку MENU, чтобы вызвать экранное меню настройки.


2. Нажимайте кнопки курсора ВЛЕВО/ВПРАВО на ПДУ или кнопки VOL UP/DOWN на панели для выбора нужной страницы меню.

3. Нажимайте кнопки курсора ВВЕРХ/ВНИЗ на ПДУ или кнопки PR UP/DOWN на панели, чтобы выбрать параметр для настройки.

4. Нажмите кнопку ENTER на ПДУ или SOURCE на панели для подтверждения выбора.

5. Нажимайте кнопки курсора на ПДУ или кнопки VOL UP/DOWN или PR UP/DOWN на панели, чтобы настроить выбранный параметр.

6. Нажмите кнопку MENU/EXIT, чтобы выйти из меню.

 Внешний вид меню может отличаться от приведенных ниже изображений, которые служат только для наглядности.

Изображение

Режим изображения
Яркость
Контраст
Цвет
Оттенок
Резкость
Цветовая температура
Режим экрана
Шумоподавление
Шумоподавление MPEG

ИЗОБРАЖЕНИЕ

- **Режим изображения:** Естественный/Кино/Спорт/Пользовательский.
- **Контрастность**
- **Яркость**
- **Цвет**
- **Резкость**
- **Оттенок:** настройка оттенка в режиме NTSC.
- **Цветовая температура:** Естественная/

Пользовательская/Теплая/Холодная.

• **Режим экрана:** 4:3/16:9/Субитр/Кино/Панорама/Авто.

• **Шумоподавление:** выберите один из четырех режимов цифрового шумоподавления: Выкл./Низкий/Средний/Высокий.

• **Шумоподавление MPEG:** уровень устранения цифровых шумов при декодировании видеосигнала: Выкл./Низкий/Средний/Высокий.

• **Динамический контраст:** автоматическая регулировка контрастности изображения.

• **Режим фильма:** растягивание изображения по краям при сохранении корректного соотношения сторон.

• **Установки ПК:** отрегулируйте настройки экрана при подключении к ПК:

- **Автонастройка:** автоматическая настройка размера и положения изображения.

- **Гор.позиция:** настройте горизонтальную позицию.

- **Вер.позиция:** настройте вертикальную позицию.

- **Частота:** настройте частоту обновления.

- **Фаза:** настройте фазу.

Звук

Режим звука
Низкие частоты
Высокие частоты
Баланс
APY звука
Объемный звук
Аудиоописание

ЗВУК

- **Режим звука:** Стандартный/Музыка/Кино/Спорт/Пользовательский.
- **Баланс:** настройте баланс между левыми и правыми динамиками.

Управление устройством

- **APY звука:** включите/выключите автоматическую регулировку уровня звука. Функция позволит смягчить резкие изменения громкости во время рекламных роликов.

- **Объемный звук:** вкл/выкл эффект объемного звучания.

- **Аудиоописание:** Это вспомогательная функция, представляющая собой аудиосопровождение изображения, предназначенное для людей с ослабленным зрением. Дополнительная звуковая дорожка AD (Audio Description) транслируется вместе с основным звуком программы, и его можно включать и отключать, а также регулировать его громкость.

Время

Часовой пояс
Автосинхронизация
Часы
Летнее время
Таймер сна
Автоотключение

ВРЕМЯ

- **Автосинхронизация:** Вкл/Выкл. Синхронизация системного времени во время приема цифрового телесигнала.
- **Часы:** Настройка времени и даты. Доступна только при отключении функции автосинхронизации.
- **Таймер сна:** Задайте интервал таймера автоотключения - Выкл/10/20/30/60/90/120/180 или 240 минут.
- **Автоотключение:** Настройка автоотключения телевизора при отсутствии каких-либо действий - выкл/4 часа/6 часов/8 часов.
- **Часовой пояс:** Выберите часовой пояс.
- **Летнее время:** Включите/отключите автоматический переход на летнее время и обратно.

Канал

Автонастройка
Расширенная настройка
Ручная настройка DTV
Ручная настройка ATV
Редактор программ
Информация о сигнале
Информация CI
Питание антенны 5В

КАНАЛ

- **Автонастройка:** используйте кнопки курсора и кнопку ENTER для запуска автоматического поиска и сохранения всех доступных каналов цифрового и аналогового телевидения и радио. Поиск в любой момент можно приостановить кнопками MENU или EXIT.
- **Расширенная настройка:** позволяет настраивать прием сигнала с ТВ-спутников с помощью функции DVB-S, следуйте подсказкам на экране для настройки и поиска каналов.
- **Ручная настройка DTV:** Нажмите кнопку SOURCE для выбора режима DVB-T или DVB-C. Нажмите кнопку курсора ВЛЕВО/ВПРАВО для выбора номера канала или с помощью кнопок с цифрами введите частоту вручную. Нажмите кнопку ENTER для начала поиска цифровых каналов. Когда ближайший доступный канал будет найден, поиск прекратится и найденный канал будет сохранен под выбранным номером или частотой. Нажмите кнопку MENU для выхода.
- **Ручной поиск ATV:**
 - Сохранить в: выберите номер канала.
 - Система: выберите систему звука.
 - Поиск: нажмите кнопку курсора ВЛЕВО или ВПРАВО для запуска поиска ближайшего доступного канала вниз или вверх по диапазону и сохранения его под выбранным номером.
 - Точная настройка: выполните точную

подстройку текущей частоты..

- **Редактор программ:** Редактирование списка каналов. Следуйте инструкциям на экране и используйте цветные кнопки на ПДУ для пропуска, переименования и удаления программ, а также кнопку FAV. для внесения их в список избранных.

- **Информация о сигнале:** Отображение информации о текущем цифровом канале.

- **Информация CI:** Данная функция позволяет просматривать некоторые зашифрованные данные (эта услуга является платной). Вставьте CI-карту в слот PCMCIA в направлении, указанном стрелкой на CI-карте.

Опции

Язык OSD
Язык аудио
Язык субтитров
Язык телетекста
Время
HDMI CEC
Система PVR
Обновление ПО (USB)

ОПЦИИ

- **Язык OSD:** Выберите язык экранного меню.

- **Язык аудио:** Выберите язык аудиодорожки в некоторых программах.

- **Язык субтитров:** Выберите язык субтитров в некоторых программах.

- **Система PVR:** Настройки системы PVR (Personal Video Record), позволяющей записывать телепрограммы. Для записи необходимо вставить USB-накопитель.

- **Демопоказ:** Включение режима демонстрации функций телевизора.

- **Сброс настроек:** Возврат настроек к исходным заводским значениям.

- **Link:** Управление функцией HDMI-CEC и просмотр информации о подключенных устройствах.

- **Цветовой диапазон Range:** Выберите цветовой диапазон для режима HDMI: 0-255/16-235/Авто.


- **Обновление ПО (USB):** Обновление программного обеспечения телевизора с помощью USB-носителя.

Блок

Блок системы
Задать пароль
Блок программ
Родительский контроль

БЛОК


- **Блок системы:** Данная функция предотвращает использование некоторых функций телевизора (автопоиск каналов, ручная настройка, редактирование программ и др.) без введения четырехзначного пароля. Пароль по умолчанию - 0000.

 После смены пароля обязательно запомните или запишите новый пароль, так как доступ к заблокированным функциям будет невозможен без ввода пароля.

- **Задать пароль:** Задайте системный пароль.

- **Блок программ:** Блокирование/разблокирование телепрограмм.


- **Родительский контроль:** Установка уровня родительского контроля.

 Экранное меню Вашего телевизора может быть изменено без предварительного уведомления и, следовательно, отличаться от меню, представленного в настоящем Руководстве.

Управление устройством

Запись цифровых программ (PVR)

Вставьте USB-накопитель, система автоматически создаст на нем папку, в которой будут сохраняться файлы записи. Запись начнется после нажатия кнопки REC и завершится после заполнения памяти или нажатия кнопки STOP. Нажмите EXIT для выхода из режима записи. Нажмите кнопку PVR LIST для отображения списка записанных файлов. Здесь вы можете просмотреть информацию о файле (Зеленая кнопка), удалить его (Красная кнопка) или воспроизвести (ENTER).

 Обратите внимание:

- Запоминающее USB-устройство должно иметь емкость как минимум 512 МБ и поддерживать стандарт USB 2.0. Некоторые нестандартные устройства могут не поддерживаться.
- Если вам не удастся осуществить запись на USB-носитель, отформатируйте его.
- Во время форматирования не отсоединяйте носитель от телевизора. При форматировании носителя все записанные на него файлы удаляются, поэтому, перед форматированием сохраните важные файлы на другом носителе.
- Если носитель разделен на несколько частей, устройство автоматически выберет ту из них, которая соответствует формату PVR.

Электронный телегид (EPG) и функция Time Shift (“Сдвиг во времени”)

Электронный телегид содержит информацию о времени эфира телевизионных передач. Нажмите кнопку EPG для отображения меню функции “Электронный телегид”. С помощью данной функции вы можете получить подробную информацию о канале, включая время начала программ. В зависимости от сервиса вещательной компании вам может быть доступна информация о программах на ближайшие 8 дней. Для выхода из меню

нажмите кнопку EXIT или MENU.

“Сдвиг по времени” это функция, позволяющая осуществлять запись эфирных телепрограмм во время вашего отсутствия у телевизора для просмотра в удобное для вас время.

- **Запись:** Нажмите Красную кнопку для настройки параметров записи. Устройство может выполнять запрограммированную запись, когда устройство включено или находится в режиме ожидания. Программы записи не должны накладываться друг на друга во времени. Если запись началась, когда устройство находится в режиме ожидания, индикатор питания поменяет цвет, изображение и звук будут отсутствовать.
- **Информация:** Нажмите Зеленую кнопку для отображения подробной информации о текущем канале.
- **Расписание:** Нажмите Желтую кнопку для отображения списка расписания запрограммированной записи.
- **Напомнить:** Чтобы отметить для записи программу, которая будет транслироваться в будущем, нажмите Синюю кнопку.

Интерфейс CI

Данная функция позволяет просматривать некоторые зашифрованные данные (эта услуга является платной). Вставьте CI-карту в слот PCMCIA в направлении, указанном стрелкой на CI-карте.

- Вы можете изменять вид меню и услуги CI; для этого необходимо обратиться к поставителю услуг.
- Нельзя вставлять и извлекать CI-карту из слота во время работы телевизора. Перед операциями с картой выключите телевизор. Не допускайте слишком частой загрузки и извлечения CI-карты из слота телевизора.
- Если в телевизоре отсутствует видеоизображение и звук при подключенном CI+ CAM, свяжитесь с оператором клиентской службы наземного/кабельного/спутникового вещания.


Операции с USB

Общая информация


• Вставьте USB-накопитель в USB-порт данного устройства. Выберите источник сигнала USB и нажмите кнопку ENTER. На дисплее отобразится интерфейс воспроизведения файлов с USB, в котором Вы можете выбрать с помощью кнопок курсора ВЛЕВО/ВПРАВО и кнопки ENTER воспроизведение музыки, фото, видео или текстов.

• Поддержка USB: версия USB 2.0; файловые системы FAT16, FAT32; максимальный объем накопителя 1 ТБ. Корректная работа устройства гарантирована только при использовании лицензионных USB-накопителей известных производителей. Воспроизведение некоторых форматов аудио, видео и изображений может не поддерживаться.

• Данное устройство поддерживает видеофайлы с расширением ASF, AVI, MKV, MPG, с видеокодеками WMV9, H263, MPEG-4, MPEGII, XVID и аудиокодеками WMA, MP3, DD(AC3).

 Приведенный выше список расширений и кодеков является только информативным и не является обязательством по чтению всех файлов с указанными расширениями и кодеками.

• Воспроизведение некоторых AVI-файлов может оказаться невозможным в зависимости от их конфигурации и параметров, а также условий записи. Видеофайлы с расширением AVI объемом более 2 ГБ могут воспроизводиться устройством не полностью.

 Согласно стандарту USB 1.1/2.0 использование USB-устройства с током потребления более 500 мА не рекомендуется без использования дополнительного источника питания. Подключение без дополнительного питания USB-носителей, потребляющих ток, который превышает данное значение, а также неисправных USB-носителей может вызвать механические или термические

изменения элементов конструкции данного устройства, а также выход из строя внутренних элементов защиты USB-порта. Такие повреждения не являются гарантийным случаем.

Внимание: использование внешних USB-устройств, содержащих файлы с расширением BIN в корневой директории, может привести к сбоям в работе устройства или к повреждению программного обеспечения.

Воспроизведение файлов

• Для возврата на предыдущий уровень меню выберите «Возврат» и нажмите кнопку ENTER.

• В меню содержимого нажимайте кнопки курсора, чтобы выбрать папку или файл, затем нажмите кнопку ENTER, чтобы войти в выбранную папку. Тем же образом выберите файл, который хотите просмотреть или прослушать. При выделении файла информация об этом файле будет отображаться в правой части экрана, а миниатюра изображения будет показана в центре (недоступно для аудиофайлов). Нажмите кнопку ENTER или **▶▶** для воспроизведения файла.

• Во время воспроизведения нажмите кнопку INFO; в нижней части экрана отобразится меню управления воспроизведением, в котором Вы можете выбирать операции с помощью кнопок курсора ВЛЕВО/ВПРАВО и подтвердить выполнение этой операции кнопкой ENTER.

• Выбрав файл, Вы можете удалить его с носителя; для этого нажмите красную кнопку на ПДУ.

• Во время воспроизведения нажмите кнопку **▶▶**, чтобы установить воспроизведение на паузу или продолжить его. Нажмите кнопку **■** для остановки воспроизведения.

• При воспроизведении файлов с изображениями, видео- и аудиофайлов нажимайте кнопку REPEAT для выбора режима повторного воспроизведения.

• При воспроизведении аудиофайлов нажимайте кнопки **◀◀▶▶** для ускоренного

Управление устройством

воспроизведения назад или вперед. Для выбора предыдущего или следующего файла нажимайте кнопки **⏮** и **⏭**.

- При воспроизведении файлов с изображениями нажимайте кнопки **⏮** и **⏭** для выбора предыдущего или следующего файла. Нажимайте кнопки курсора ВЛЕВО/ВПРАВО, чтобы вращать изображение.

- Нажмите кнопку EXIT, чтобы остановить воспроизведение и вернуться на предыдущий уровень меню.

Руководство по устранению неисправностей

Ниже приводится таблица, в которой описаны простые меры, способные помочь Вам устранить большую часть проблем, могущих возникнуть при использовании данного устройства. Если нижеуказанные меры не помогли, обратитесь в сервисный центр или к ближайшему дилеру.

Неисправность	Причина	Решение
Изображение и звук отсутствуют, индикатор не светится	Шнур питания не подсоединен. Контрастность, яркость, резкость, цвет и громкость установлены на минимальное значение или телевизор находится в беззвучном режиме.	Подсоедините шнур питания. Установите нужное значение контрастности, яркости, резкости, цвета и громкости.
Изображение и звук низкого качества	Контрастность и цвет настроены неверно. Установлена неверная система цвета. Установлена неверная система звука.	Настройте контрастность и цвет. Установите правильную систему звука.
Изображение в режиме VGA некорректное	Параметры разрешения на компьютере установлены неправильно.	Отрегулируйте параметры разрешения компьютера.
Изображение «заснеженное»	Сигнал низкого качества.	Используйте исправный и качественный кабель.
Синий фон	Отсутствует видео сигнал или кабель плохо подсоединен/не подсоединен.	Подсоедините кабель должным образом.
Звук отсутствует	Отсутствует аудио сигнал или кабель плохо подсоединен/не подсоединен.	Подсоедините кабель должным образом. Установите правильную сигнальную систему.
ПДУ не работает	Батарейки установлены неправильно или устарели.	Убедитесь, что полярность соблюдена. Замените батарейки на новые.

Источники помех

В Вашем телевизоре приняты все самые современные меры для устранения возможных помех, тем не менее, изображение может искажаться под воздействием местных электромагнитных излучений. Лучше всего в подобных случаях попытаться перенести телевизор в другое место и подвести к нему лучшую антенну.

- РАДИОЧАСТОТНЫЕ ПОМЕХИ

Общая информация

Появление на изображении ряби может свидетельствовать о наличии вблизи телевизора коротковолнового радиопередатчика или радиоприемника.

- **МЕДИЦИНСКОЕ ОБОРУДОВАНИЕ**

Появление на экране «елочки» или частичное исчезновение изображения может быть связано с работой медицинского оборудования в близлежащей больнице или клинике.

- **«СНЕГ» НА ЭКРАНЕ**

В зоне приема слабых сигналов отдаленных телевизионных станций изображение становится нестабильным, а на экране появляются мерцающие белые пятна, так называемый эффект «падающего снега». В этом случае помогает более точная настройка антенны и применение антенного усилителя.

- **ФАНТОМНЫЕ ИЗОБРАЖЕНИЯ**

Появление на экране нескольких контуров изображения объясняется тем, что телевизионный сигнал отражается от окружающих построек, холмов, самолетов и других объектов. Свести такой эффект к минимуму можно, изменив направление антенны.

- **АВТОМОБИЛЬНЫЕ ДВИГАТЕЛИ**

Работающие неподалеку автомобильные двигатели и электромоторы могут создавать помехи в изображении в виде небольших полосок или дрожания изображения на экране.


Комплект поставки

1. Телевизор	1 шт
2. Пульт дистанционного управления	1 шт
3. Батарея	2 шт
4. Подставка	2 шт
5. Аудиовидеокабель	1 шт
6. Винт	2 шт
7. Информация для потребителя	1 шт
8. Гарантийный талон	1 шт
9. Руководство по эксплуатации	1 шт

Технические характеристики

Размер (диагональ)	23,6" (60 см)
Разрешение	1366 x 768
Формат экрана	16:9
Время отклика	8,5 мс
Система цветности	PAL, SECAM
Система звука	V/G, DK, I
Стереозвук NICAM	2 x 3 Вт
Аудиовидеовход	+
HDMI вход	x2

Выход на наушники	+
Экранное меню на русском и английском языках	+
Прием сигнала DVB-T/DVB-T2/DVB-C	+
Разъем PCMCIA (поддержка CI, CI+)	+
Запись эфира (PVR)/функция Time Shift	+
Прогрессивная развертка	+
Цифровой гребенчатый фильтр	+
Таймер «сна»	3D
Количество каналов	+
Воспроизведение аудио-, фото- и видеофайлов через USB	100 аналоговых/1000 цифровых
Телетекст	+
Класс защиты от поражения электрическим током	1000 страниц II
Номинальное напряжение питания:	~100–240 В; 50/60 Гц
Размеры устройства, мм: с подставкой	561.7 x 131.5 x 370.8
без подставки	561.7 x 56 x 338.2
Масса нетто	3.4 кг
Условия эксплуатации	
Температура воздуха	от 5 до 35 °С
Относительная влажность воздуха	от 45 до 75%
Атмосферное давление	от 86 до 106 кПа (650-800 мм рт.ст.)

 ЖК-панель является высокотехнологичным устройством, содержащим множество тонкопленочных транзисторов, которые дают четкие детали изображения. В некоторых случаях могут появляться неактивные точки на экране, которые имеют постоянный цвет (синий, зеленый, красный, черный или белый). Это не является дефектом и не влияет на характеристики Вашего ЖК-телевизора.

Технические характеристики могут быть изменены заводом-изготовителем без предварительного уведомления. Указанные геометрические размеры и масса имеют приблизительные значения.

Информация о наименовании и местонахождении изготовителя (уполномоченного изготовителем лица), телефон для связи с ним, а также месяц и год изготовления технического средства указаны в гарантийном талоне и информации для потребителя со списком сервисных центров.

