

SONY®

SONY

TV Stand SU-B550S/SU-B460S/SU-B400S

## TV Stand

Instructions \_\_\_\_\_ **GB**  
 Mode d'emploi \_\_\_\_\_ **FR**  
 Instrucciones \_\_\_\_\_ **ES**  
 Gebrauchsanweisung \_\_\_\_\_ **DE**  
 Instructies \_\_\_\_\_ **NL**  
 Istruzioni \_\_\_\_\_ **IT**  
 Bruksanvisning \_\_\_\_\_ **SE**  
 Instrukcje \_\_\_\_\_ **PL**  
 Instruções \_\_\_\_\_ **PT**  
 Vejledning \_\_\_\_\_ **DK**

Käyttöohje \_\_\_\_\_ **FI**  
 Instruksjoner \_\_\_\_\_ **NO**  
 Οδηγίες \_\_\_\_\_ **GR**  
 Talimatlar \_\_\_\_\_ **TR**  
 Utasítások \_\_\_\_\_ **HU**  
 Instrukce \_\_\_\_\_ **CZ**  
 Inštrukcie \_\_\_\_\_ **SK**  
 Инструкции \_\_\_\_\_ **RU**  
 Інструкції \_\_\_\_\_ **UA**  
 Instrucțiuni \_\_\_\_\_ **RO**  
 Инструкции \_\_\_\_\_ **BG**

**SU-B550S**  
**SU-B460S**  
**SU-B400S**

© 2010 Sony Corporation

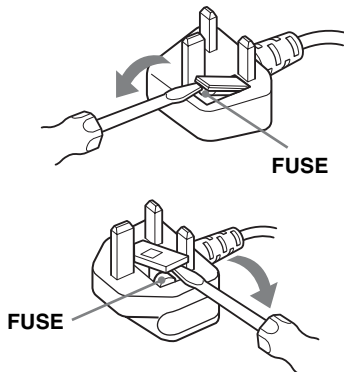
<http://www.sony.net/>

Printed in Malaysia

## NOTICE FOR CUSTOMERS IN THE UNITED KINGDOM

A moulded plug complying with BS1363 is fitted to this equipment for your safety and convenience. Should the fuse in the plug supplied need to be replaced with the same rating of fuse approved by ASTA or BSI to BS 1362 (i.e., marked with  $\diamond$  or  $\heartsuit$ ) must be used.

When an alternative type of plug is used it should be fitted with the same rating of fuse, otherwise the circuit should be protected by a 13 AMP FUSE at the distribution board. If the plug supplied with this equipment has a detachable fuse cover, be sure to attach the fuse cover after you change the fuse. Never use the plug without the fuse cover. If you should lose the fuse cover, please contact your nearest Sony service station.



### How to replace the fuse

Open the fuse compartment with a blade screwdriver, and replace the fuse. Please refer to the illustration that actually equipped with the product.

## On Safety

**Thank you for purchasing this product. Products by Sony are designed with safety in mind. Incorrect use may result in a serious injury through fire, electric shock, the product toppling over, or the product being dropped. Be sure to observe the precautions for safety to prevent such accidents.**

This instructions manual shows the correct handling of the product and important precautions necessary to prevent accidents. Be sure to read this manual thoroughly and use the product correctly. Keep this manual available for future reference.

The manufacturer of this product is Sony Corporation, 1-7-1 Konan Minato-ku Tokyo, 108-0075 Japan. The Authorized Representative for EMC and product safety is Sony Deutschland GmbH, Hedelfinger Strasse 61, 70327 Stuttgart, Germany. For any service or guarantee matters please refer to the addresses given in separate service or guarantee documents.

## CAUTION

### Specified products

This stand is designed for use with the Sony products specified below. Do not install other than the specified products.

The following products are subject to change without notice, may be out of stock, or discontinued.

Also, certain models are sold in some regions.

	LCD colour TV
SU-B550S	KDL-55NX81□*
SU-B460S	KDL-46NX71□*
SU-B400S	KDL-40NX71□*

(As of Aug 2010)

\* In the actual model names, the "□" indicates numbers and/or characters specific to each model.

### Location of the identification label

Label for Model No. is located on the rear of the TV Stand.

### Disposal of the TV Stand



**Disposal of Old Electrical & Electronic Equipment (Applicable in the European Union and other European countries with separate collection systems)**

This symbol on the product or on its packaging indicates that this product shall not be treated as household waste. Instead it shall be handed over to the applicable collection point for the recycling of electrical and electronic equipment. By ensuring this product is disposed of correctly, you will help prevent potential negative consequences for the environment and human health, which could otherwise be caused by inappropriate waste handling of this product. The recycling of materials will help to conserve natural resources. For more detailed information about recycling of this product, please contact your local Civic Office, your household waste disposal service or the shop where you purchased the product.

## WARNING

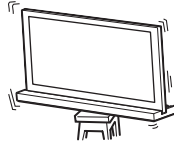
**If the following precautions are not observed, serious injury or death can result through fire, electric shock, or the product toppling over.**

### Be sure to take measures to prevent the TV Stand from toppling over.

If you fail to do so, the TV may topple over and cause injury. Anchor the TV Stand and the rack, etc., to prevent toppling over.

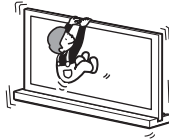
## Be sure to install the TV Stand on a stable surface.

If you install the TV Stand on an unstable surface, it may lose its balance and topple over or fall off. This may cause injury or property damage.



## Do not lean on or hang from the TV with the TV installed on the TV Stand.

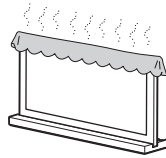
The TV Stand may topple over, or the TV may fall and cause serious injury or death.



## Do not cover the ventilation holes of the TV.

The ventilation openings in the TV are necessary to ensure reliable operation of the TV and to protect it from overheating.

- Do not block or cover the ventilation openings with cloth or other materials.
- Never allow liquid or solid objects to fall into the ventilation openings.



## Do not place liquid filled objects such as a vase or potted plant on the TV.

Do not use a power line operated TV set near water; for example, near a bathtub, washbowl, kitchen sink, laundry tub, wet basement or near a swimming pool, etc.

## Do not install the TV in places subject to extreme temperature, such as in direct sunlight, near a radiator or a heating vent.

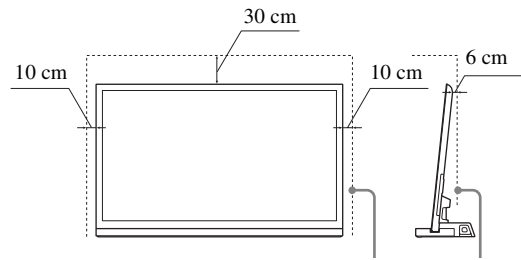
The TV may overheat in such conditions which can cause deformation of the enclosure and/or TV malfunction.

## Do not install the TV in a place exposed to direct air conditioning.

Moisture may condense inside and may cause TV malfunction.

## Allow adequate space around the TV set to ensure proper air circulation.

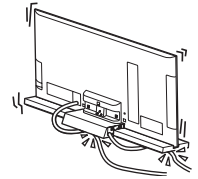
Allow enough space around the TV as shown below.



Leave at least this much space around the set.

## AC power cord (mains lead)

- Connect the TV set using a three-wire grounding type mains plug to a mains socket with a protective earthing connection.
- Use only Sony supplied AC power cords (mains lead), not those of other brands.
- Do not allow the AC power cord (mains lead) or the connecting cable to be pinched when you install the TV on the TV Stand. If the AC power cord (mains lead) or the connecting cable is damaged, this may result in fire or electric shock.
- Do not step on the AC power cord (mains lead) or the connecting cable when you carry the TV Stand. The AC power cord (mains lead) or the connecting cable may be damaged, and this may result in fire or electric shock.
- If you stumble over the AC power cord (mains lead) or the connecting cable, the TV Stand may topple over and cause injury.
- Unplugging the AC power cord (mains lead) from the wall outlet (mains) will completely remove power from the TV Stand.



## NOTE ON AC adapter (mains adaptor)

### Warning

To reduce the risk of fire or electric shock, do not expose this apparatus to rain or moisture.

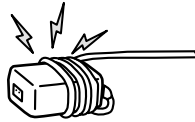
To prevent fire or shock hazard, do not place objects filled with liquids, such as vases, on the apparatus.

Do not install this equipment in a confined space, such as a bookshelf or similar unit.

- Please ensure that the AC power outlet (mains socket) is installed near the equipment and shall be easily accessible.
- Be sure to use the supplied AC adapter (mains adaptor) and AC power cords (mains lead).
- Do not use any other AC adapter (mains adaptor). It may cause a malfunction.
- Connect the AC adapter (mains adaptor) to an easily accessible AC power outlet (mains socket).

(Continued)

- Do not coil the AC power cord (mains lead) around the AC adapter (mains adaptor). The core wire may be cut and/or it may cause a malfunction of the TV.
- Do not touch the AC adapter (mains adaptor) with wet hands.
- If you notice an abnormality in the AC adapter (mains adaptor), disconnect it from the AC power outlet (mains socket) immediately.
- The set is not disconnected from the AC (mains) source as long as it is connected to the AC power outlet (mains socket), even if the set itself has been turned off.



## CAUTION

If the following precautions are not observed, injury or property damage may occur.

### Do not install any equipment other than the specified product.

This TV Stand is designed for use with the specified product only. If you install equipment other than specified, it may fall or break, and cause injury. Illustrations used in this manual show of the KDL-46NX71□, unless otherwise stated.

### Be sure to secure the TV.

Secure the TV to the TV Stand using the supplied screws. If the TV is not installed securely, it may fall, or the TV Stand may topple over, and cause injury.

## Notes on installation

Do not allow the TV Stand to be installed at an angle or incline. To avoid this, observe the following precautions. If you install the TV Stand on a soft surface such as a mat or a carpet, lay a board over the designated location beforehand.

- Do not install the TV Stand in a place subject to direct sunlight or near a heater.
- Do not install the TV Stand in a hot or humid place, or outdoors.

## Note on use

### Cleaning

To keep the TV Stand clean, occasionally wipe it with a dry soft cloth. Stubborn stains may be removed by wiping with a cloth slightly dampened with mild soap. Be sure to dry the area afterwards with a dry soft cloth. Do not use chemicals, such as thinner or benzene, as they damage the finish of the TV Stand.

## Be sure that two or more persons do the installation work.

Be sure that two or more persons install the TV on the TV Stand. If one person does the installation work alone, this may result in an accident or injury.

## Do not modify the TV Stand.

It may fall and cause injury.

## Be sure to install the TV securely following the instructions.

Tighten the screws securely. If the TV is not installed securely, it may fall and cause injury.

## Be careful not to injure your hands or fingers while assembling.

- Do not move the TV Stand with holding the Neck section.
- Be careful not to hurt your fingers or hands when installing the TV.

## PRECAUTIONS

### On power sources

- If you are not going to use the TV Stand for a long time, be sure to disconnect the TV Stand from the wall outlet (mains). To disconnect the AC power cord (mains lead), grasp the plug itself; never pull the cord.
- AC power cord (mains lead) must be changed only at the qualified service shop.

### On operation

Before connecting other components, be sure to turn off and unplug the TV Stand.

## Copyrights

This TV Stand incorporates Dolby\* Digital and Pro Logic Surround and the DTS\*\* Digital Surround System.

\* Manufactured under license from Dolby Laboratories. Dolby, Pro Logic, and the double-D symbol are trademarks of Dolby Laboratories.

\*\* Manufactured under license under U.S. Patent #'s: 5,451,942; 5,956,674; 5,974,380; 5,978,762; 6,487,535 & other U.S. and worldwide patents issued & pending. DTS and the Symbol are registered trademarks & DTS Digital Surround and the DTS logos are trademarks of DTS, Inc. Product includes software. © DTS, Inc. All Rights Reserved.

This TV Stand incorporates High-Definition Multimedia Interface (HDMI™) technology.

HDMI, the HDMI Logo, and High-Definition Multimedia Interface are trademarks or registered trademarks of HDMI Licensing LLC in the United States and other countries.

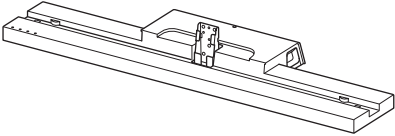
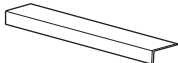
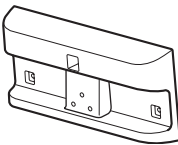
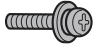

“BRAVIA” is a trademark of Sony Corporation.



**Note on taking the TV Stand out from the carton**

Be sure to hold the TV Stand and handle it carefully.

## Step 1: Checking the parts

Name	Quantity
Stand 	1
Rear Cover* 	2
Joint 	1
TV Stand Neck Attachment Screw (PSW5 × 16) black (× 3) Joint Screw (PSW5 × 16) black (× 3) 	6
AC adapter	
AC power cord (mains lead)	
High Speed HDMI cable	1
Cable holder 	1
Instructions manual	1
Warranty card	

\* For SU-B550S model only.

**WARNING**

If you allow the AC power cord (mains lead) to be pinched under or between pieces of equipment, this may result in a short circuit or an electric shock. If you stumble over the AC power cord (mains lead) or the connecting cable, the TV Stand may topple over and cause injury.

**Decide on the installation location and lay the TV Stand down before installing the TV.**

Since the TV is heavy, it is recommended that you decide on the installation location beforehand, and assemble the TV Stand on site.

Refer to the operating instructions supplied with your TV for information on how to remove the Table-Top Stand from the TV.

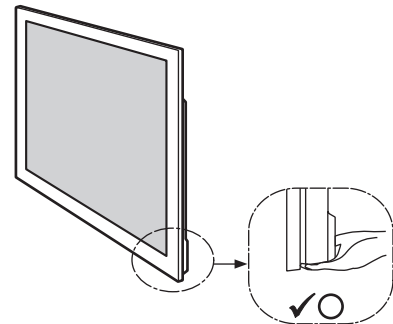
## Step 2: Installing the TV

**Before assembling**

- Be sure to have a Phillips screwdriver that fits the screws prior to the assembly.
- When using an electric screwdriver, set the torque setting to approximately 1.5 N·m {15 kgf·cm}.

### 1 Hold the TV at the specified point when moving the TV.

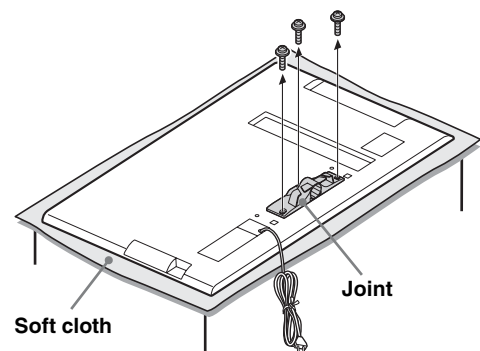
Make sure to hold the TV as shown:



- When transporting the TV set by hand, hold it as shown above. Do not put stress on the LCD panel and the frame around the screen.

### 2 Remove the screws from the Joint on the rear of the TV.

Slide the Joint down to detach.



- Make sure to keep the removed screws.
- When removing the Table-Top Stand from the Display, lay the display face down on a stable work surface that is larger than the Display.
- To prevent damaging the surface of the LCD display, make sure to place a soft cloth on the work surface.

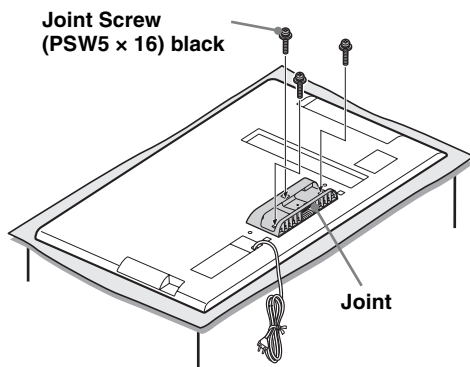
### CAUTION

- If pressure or shock is applied to the surface of the Display, the LCD display may break or become damaged.
- Lay the display face down on a stable and level surface with the Table-Top Stand hanging over the edge of the surface.

Having the display face and the base of the Table-Top Stand on the same level surface will create an unstable working condition and can damage the Display.

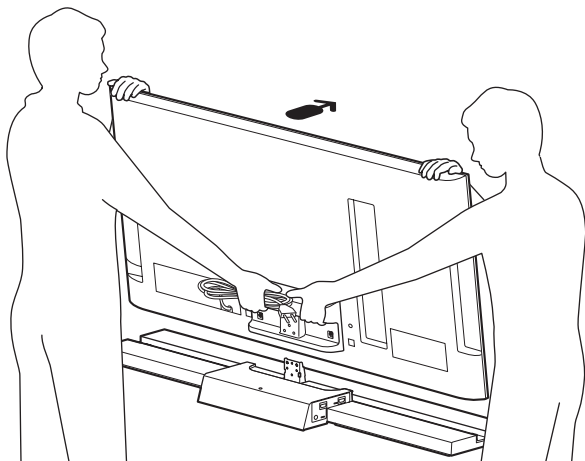
## 3 Attach the supplied Joint to the rear of the TV with the three screws (PSW5 × 16) black (supplied).

Slide the supplied Joint up to attach.



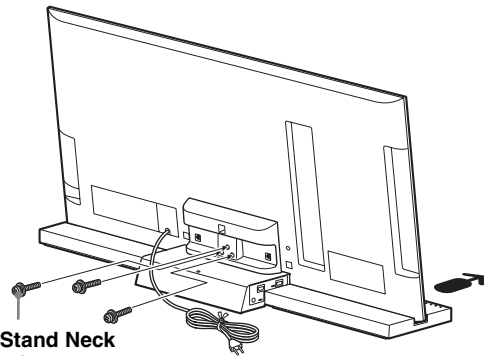
## 4 Install the TV onto the TV Stand.

The TV is installed by placing it in the groove of the TV Stand.



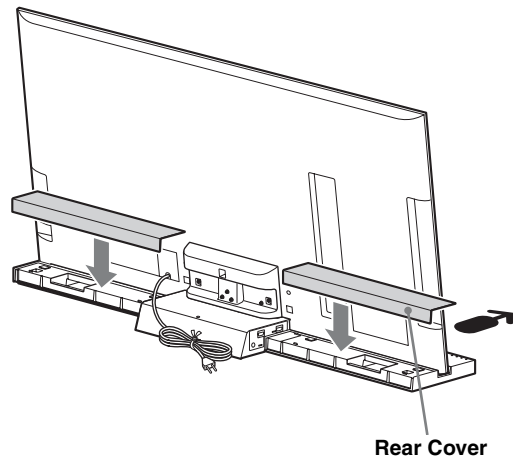
← Arrow direction shows front of the TV Stand.

## 5 Secure the TV and the TV Stand with the three TV Stand Neck Attachment Screws (PSW5 × 16) black (supplied).



TV Stand Neck Attachment Screw (PSW5 × 16) black

## 6 Attach the Rear Cover to the TV Stand. (For SU-B550S model only)

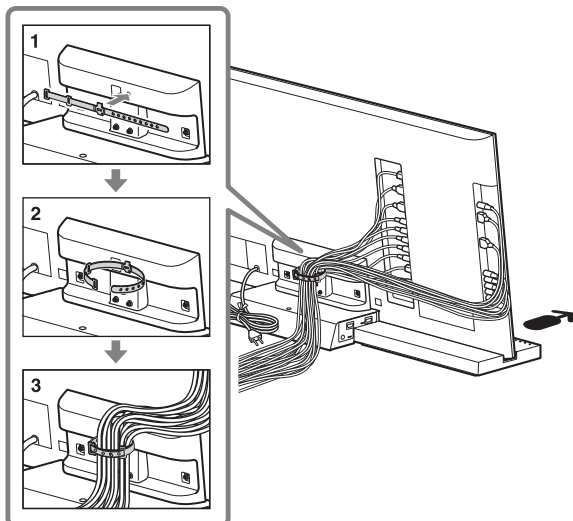


Rear Cover

(Continued)

7 (GB)

## 7 Bundling the cables.

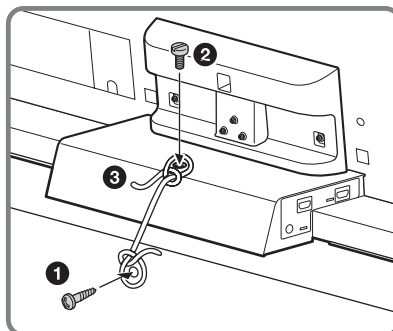
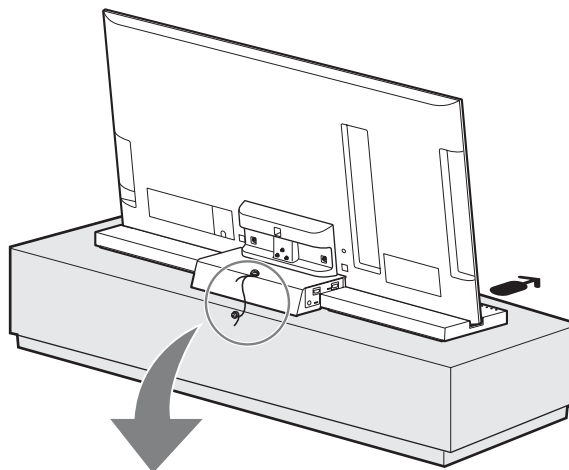


- Do not bundle the AC power cord together with other cables.

## Step 3: Safety measures to prevent toppling over

### WARNING

Be sure to take measures to prevent the TV Stand from toppling over, and causing possible injury and damage.



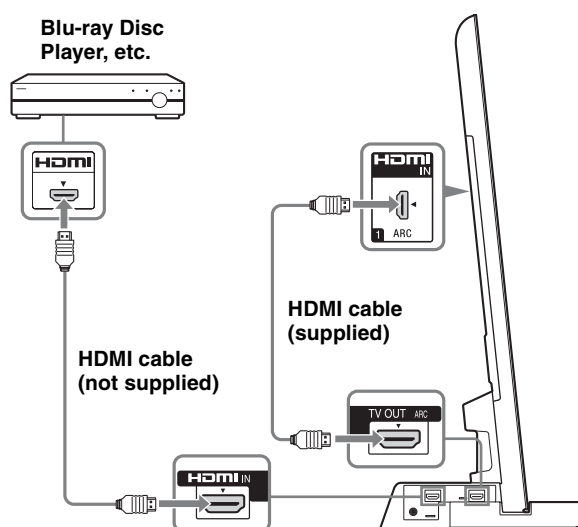
- ① Install a wood screw (4 mm in diameter, not supplied) in the board.
- ② Install a machine screw (M4 × 16, not supplied) into the screw hole of the TV Stand.
- ③ Tie the wood screw and the machine screw with a strong cord (not supplied).



## Step 4: Connecting the TV and Player

### Connect the TV with an HDMI jack (socket) to the TV Stand using an HDMI cable.

By connecting Sony “BRAVIA” Sync-compatible components using HDMI cables, operation can be simplified when you set the Control for HDMI function for the TV.



- The TV Stand is compatible with the Audio Return Channel (ARC) function. If you connect the TV Stand to the ARC compatible TV's HDMI jack (socket) via an HDMI cable, you do not need to connect the TV to the TV Stand with the digital optical cord.
- You can see the letters “ARC” beside the TV's HDMI socket if it is compatible with the ARC function. Even if you connect an HDMI cable to the socket, if the HDMI input jack (socket) is not compatible with the ARC function, you cannot use the ARC function.
- The ARC function is available only when Control for HDMI is set to on.



- Even if the TV Stand is turned off (active standby mode), the HDMI signal will be sent from the connected component to the TV via the HDMI connection. You can enjoy image and sound from the component on the TV.

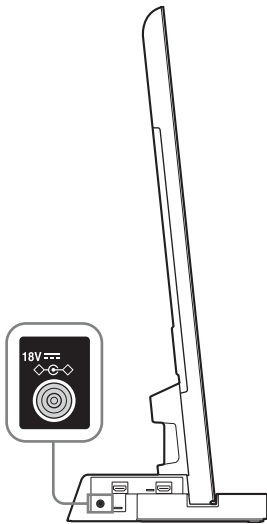
#### Notes on HDMI connections

- Use a High Speed HDMI cable. If you use a Standard HDMI cable, 1080p, Deep Colour, or 3D images may not be displayed properly.
- We recommend that you use an HDMI-authorized cable.
- Check the setup of the connected component if an image is poor or the sound does not come out of a component connected via the HDMI cable.

- Audio signals (sampling frequency, bit length, etc.) transmitted from an HDMI jack (socket) may be suppressed by the connected component.
- Sound may be interrupted when the sampling frequency or the number of channels of audio output signals from the playback component is switched.
- When the connected component is not compatible with copyright protection technology (HDCP), the image and/or the sound from the HDMI TV OUT socket may be distorted or may not be output. In this case, check the specification of the connected component.
- We do not recommend using an HDMI-DVI conversion cable.
- This system supports Deep Colour, “x.v.Colour,” and 3D transmission.

## Step 5: Connecting the AC power cord (mains lead)

Before connecting the AC power cord (mains lead) of the TV Stand to a wall outlet (mains), connect all the other components and TV to the TV Stand.



- Connect the TV Stand to an easily accessible AC outlet (mains). Should you notice an abnormality in the TV Stand, disconnect the main plug from the AC outlet (mains) immediately.

## Step 6: Performing the TV settings

### ❶ Set to “On” in the “Control for HDMI” function.

Press the HOME button of the remote of the TV and select the menu as follows;

🗑️ Settings > 📺 External Inputs > HDMI Set-up > Control for HDMI > On

### ❷ Set to “Audio System” in “Speakers” menu.

Press the HOME button of the remote of the TV and select the menu as follows;

🗑️ Settings > 🔊 Sound > Speakers > Audio System



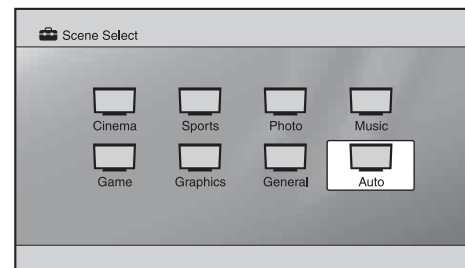
- After completing the settings for procedure ❶ and ❷, the **I** (power) indicator lights up in green.



### • Scene Select mode

This TV Stand is synchronized with the TV sound settings automatically, and works together with the Scene Select function, for you to choose your preferred sound for the selected scene.

To change the sound, change the TV sound settings.



Before you use this mode, make sure that the following settings are made on the TV.

# Troubleshooting

## Sound

No sound:

- Check the HDMI cable connection.
- Check the settings for “Control for HDMI” and “Audio System” in Step 6 (page 10).

Using with headphones:

- Switch “Audio System” to “TV Speakers” in the “Speakers” setting.

Using with dual sound of the TV digital transmission:

- Depending on the transmission, the sound cannot switch. Switch the “Optical Out” setting of the TV from “Auto” to “PCM”.

Using with external equipment for dual sound:

- If the sound cannot be switched, switch the audio output setting of the external equipment to activate PCM.

## Indicator

Although the TV power is turned on, the **I** (power) indicator of the TV Stand does not light up:

- Check the connection of the AC power cord (mains lead), etc.
- Consult customer support services.

Flash **I** (power) indicator red:

- A malfunction may have occurred with this product. Check how many times the LED flashes, and consult Sony service center.

## 2 Audio format indicators

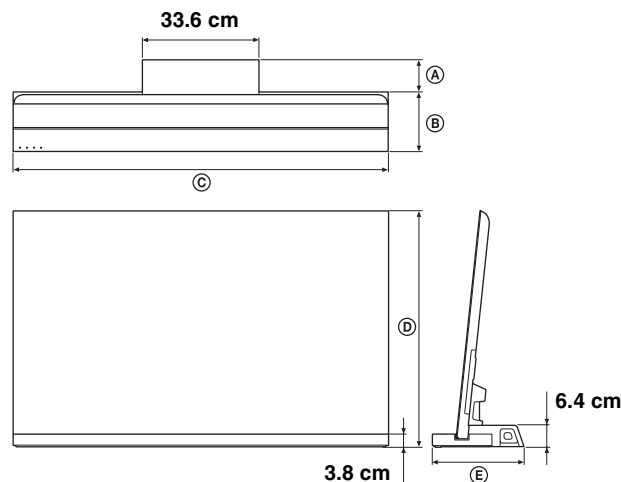
Light up according to the audio format that is being input to the TV Stand.

**D**: Dolby Digital

DTS

**PLII**: Dolby Pro Logic II

# Specifications



		SU-B550S	SU-B460S	SU-B400S
Dimensions: cm	(A)	8.1	9.3	10
	(B)	20	17.2	16.1
	(C)	127.6	108.3	94.4
	(D)	79.3	68.4	60.6
	(E)	28.1	26.5	26.1
Stand Weight:		5.8 kg	5.4 kg	5.1 kg

## Amplifier section

Rated Output Power Front: 10 W + 10 W, (per channel)  
12 ohms, 1 kHz, THD less than 1%  
Subwoofer: 20 W, 6 ohms, 100 Hz,  
THD less than 1%

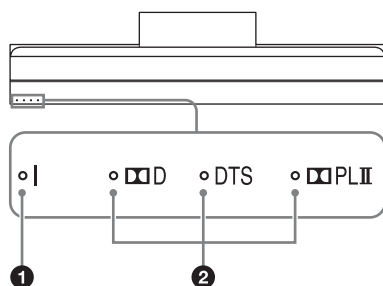
## HDMI section

Connector HDMI™ Connector  
Video inputs/outputs 640 × 480p@60 Hz  
720 × 480p@59.94/60 Hz  
1280 × 720p@59.94/60 Hz  
1920 × 1080i@59.94/60 Hz  
1920 × 1080p@59.94/60 Hz  
720 × 576p@50 Hz

(Continued)

11 (GB)

# Indicator



## 1 I (power) indicator

Lights as follows:

Green: The TV Stand is power on. (“Audio System” is set for “Speakers.”)

Off: The TV Stand is standby or power off.

	1280 × 720p@50 Hz
	1920 × 1080i@50 Hz
	1920 × 1080p@50 Hz
	1920 × 1080p@24 Hz
	Deep Colour: 30bit/36bit
Video inputs/ outputs (3D)	1280 × 720p@59.94/60 Hz
	Frame packing
	1920 × 1080i@59.94/60 Hz
	Frame packing
	1920 × 1080i@59.94/60 Hz
	Side-by-Side (Half)
	1920 × 1080p@59.94/60 Hz
	Side-by-Side (Half)
	1280 × 720p@50 Hz
	Frame packing
	1920 × 1080i@50 Hz
	Frame packing
	1920 × 1080i@50 Hz
	Side-by-Side (Half)
	1920 × 1080p@50 Hz
	Side-by-Side (Half)
	1920 × 1080p@24 Hz
	Frame packing
	Deep Colour: 30bit/36bit
Audio inputs	Linear PCM 7.1ch/ Dolby Digital/DTS

## Speakers

### Front speaker unit

Speaker system	2-way 3-driver, Bass reflex type
Speaker unit	Woofer: 30 × 82 mm cone type ×2 Tweeter: 14 mm dome type

### Subwoofer unit

Speaker system	Subwoofer, Bass reflex type
Speaker unit	70 mm cone type

## General

Power requirements	100 – 240 V, 50/60 Hz
Power consumption	On: 12 W Standby: 0.7 W

- Standby power consumption: 0.7 W
- Halogenated flame retardants are not used in the certain printed wiring boards.
- Over 85% power efficiency of amplifier block is achieved with the full digital amplifier, S-Master.

Design and specifications are subject to change without notice.



## À propos de la sécurité

Merci d'avoir fait l'acquisition de ce produit. Les produits Sony sont conçus pour vous offrir le maximum de sécurité. Si vous n'utilisez pas ce produit correctement, un incendie ou une secousse électrique risque de se produire ; il est en outre possible que l'appareil bascule hors de son support et tombe, ce qui risque d'entraîner des blessures graves. Veuillez à observer les consignes de sécurité préconisées pour éviter de tels accidents.

Ce mode d'emploi indique comment manipuler le produit correctement et contient des précautions essentielles à prendre pour éviter tout accident. Lisez attentivement ce mode d'emploi et veillez à utiliser le produit correctement. Conservez ce mode d'emploi pour toute référence ultérieure.

Le fabricant de ce produit est Sony Corporation, 1-7-1 Konan Minato-ku Tokyo, 108-0075 Japon. Le représentant autorisé pour les questions de compatibilité électromagnétique (EMC) et la sécurité des produits est Sony Deutschland GmbH, Hedelfinger Strasse 61, 70327 Stuttgart, Allemagne. Pour toute question relative au SAV ou à la garantie, merci de bien vouloir vous référer aux coordonnées contenues dans les documents relatifs au SAV ou la garantie.

## ATTENTION

### Produits spécifiés

Ce support est conçu pour être utilisé avec les produits Sony spécifiés ci-dessous. N'installez aucun produit autre que ceux spécifiés.

Les produits suivants sont sujets à modification sans préavis, peuvent être épuisés ou leur fabrication peut être interrompue.

Certains modèles peuvent aussi être disponibles uniquement dans certaines régions.

	Téléviseur couleur LCD
SU-B550S	KDL-55NX81□*
SU-B460S	KDL-46NX71□*
SU-B400S	KDL-40NX71□*

(en date d'août 2010)

\* Dans les noms de modèle réels, « □ » indique des chiffres et/ou des caractères propres à chaque modèle.

### Emplacement de l'étiquette d'identification

L'étiquette du numéro de modèle se trouve à l'arrière du support TV.

## Mise au rebut du support TV



Traitement des appareils électriques et électroniques en fin de vie (Applicable dans les pays de l'Union Européenne et aux autres pays européens disposant de systèmes de collecte sélective)

Ce symbole, apposé sur le produit ou sur son emballage, indique que ce produit ne doit pas être traité avec les déchets ménagers. Il doit être remis à un point de collecte approprié pour le recyclage des équipements électriques et électroniques. En s'assurant que ce produit est bien mis au rebut de manière appropriée, vous aiderez à prévenir les conséquences négatives potentielles pour l'environnement et la santé humaine. Le recyclage des matériaux aidera à préserver les ressources naturelles. Pour des informations détaillées sur le recyclage de ce produit, veuillez contacter le service municipal local, le service chargé du traitement des déchets ménagers ou le magasin où vous avez acheté le produit.

## AVERTISSEMENT

Le non-respect des consignes suivantes peut être fatal ou entraîner des blessures graves en provoquant un incendie ou l'électrocution, ou encore la chute de l'appareil hors de son support.

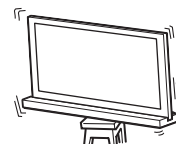
### Veillez à prendre toutes les mesures nécessaires afin d'éviter que le support TV ne bascule.

Dans le cas contraire, le téléviseur risque de basculer, ce qui pourrait provoquer des blessures.

Fixez solidement le support TV et le support mural, entre autres, afin d'éviter qu'ils ne basculent.

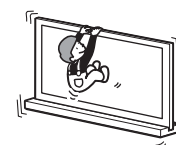
### Veillez à installer le support TV sur une surface stable.

Si vous installez le support TV sur une surface instable, il risque de perdre son équilibre, de basculer et de tomber. Vous risquez par conséquent d'endommager le téléviseur ou de vous blesser.



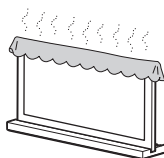
### Ne vous appuyez pas sur le téléviseur et ne vous suspendez pas au support TV.

Le support TV risque de basculer ou le téléviseur risque de tomber, ce qui peut provoquer des blessures graves, voire la mort.



## Ne couvrez pas les orifices de ventilation du téléviseur.

Les orifices de ventilation du téléviseur sont indispensables pour assurer son fonctionnement fiable et le protéger contre toute surchauffe.



- N'obstruez pas ou ne couvrez pas les orifices de ventilation avec du tissu ou tout autre matériau.
- Évitez toute pénétration de liquide ou d'objet solide dans les orifices de ventilation.

## Ne placez pas d'objet contenant du liquide tel qu'un vase ou une plante en pot sur le téléviseur.

N'utilisez pas de téléviseur alimenté sur secteur à proximité de l'eau, notamment près d'une baignoire, un bac de lavage, un évier de cuisine, une cuve de lessivage, un sous-sol humide, une piscine, etc.

N'installez pas le téléviseur dans des endroits exposés à des températures extrêmes, notamment à la lumière directe du soleil, à proximité d'un radiateur ou d'une bouche de chaleur.

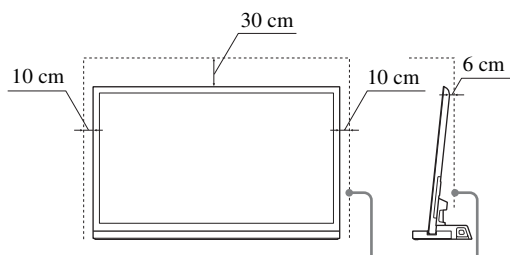
Toute surchauffe dans de telles conditions pourrait engendrer une déformation du boîtier et/ou un dysfonctionnement du téléviseur.

N'installez pas le téléviseur dans un endroit exposé directement à un climatiseur.

De l'humidité pourrait se condenser à l'intérieur du téléviseur et engendrer un dysfonctionnement.

## Maintenez un espace adéquat autour du téléviseur pour assurer une bonne circulation d'air.

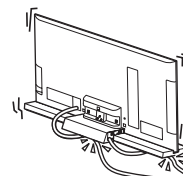
Laissez un espace suffisant autour du téléviseur, comme illustré ci-dessous.



Laissez au moins cet espace autour de l'appareil.

## Cordon d'alimentation CA

- Utilisez exclusivement les cordons d'alimentation CA Sony, pas ceux d'autres marques.
- Veillez à ne pas coincer le cordon d'alimentation CA ou le câble de raccordement lors de l'installation du téléviseur sur le support TV. Si vous endommagez le cordon d'alimentation CA ou le câble de raccordement, un incendie ou une secousse électrique risque de se produire.
- Veillez à ne pas marcher sur le cordon d'alimentation CA ou sur le câble de raccordement lorsque vous déplacez le support TV. Vous risquez d'endommager le cordon d'alimentation CA ou le câble de raccordement, ce qui risque de provoquer un incendie ou une secousse électrique.
- Si vous trébuchez sur le cordon d'alimentation CA ou le câble de raccordement, vous risquez de faire basculer le support TV et de vous blesser.
- Le débranchement du cordon d'alimentation CA de la prise murale désactive complètement l'alimentation du support TV.



## REMARQUE SUR L'ADAPTATEUR SECTEUR

### Avertissement

Pour éviter les risques d'incendie ou d'électrocution, n'exposez pas cet appareil à la pluie ou à l'humidité. Pour prévenir tout risque d'incendie ou d'électrocution, ne placez pas d'objets remplis de liquides, comme des vases, sur l'appareil.

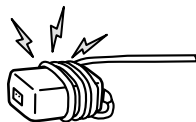
N'installez pas cet appareil dans un espace confiné comme une bibliothèque ou une armoire similaire.

- Veillez à ce que la prise secteur se trouve à proximité de l'appareil et que son accès soit aisé.
- Veillez à raccorder l'adaptateur secteur et le cordon d'alimentation secteur fournis.
- N'utilisez aucun autre adaptateur secteur. Cela pourrait entraîner un dysfonctionnement.
- Raccordez l'adaptateur secteur à une prise secteur facilement accessible.

(Suite)

3 (FR)

- N'enroulez pas le cordon d'alimentation secteur autour de l'adaptateur secteur. Vous risqueriez de couper le fil central et/ou de provoquer un dysfonctionnement du téléviseur.
- Ne touchez pas l'adaptateur secteur avec des mains humides.
- Si vous constatez que l'adaptateur secteur ne fonctionne pas normalement, débranchez-le immédiatement de la prise secteur.
- Cet appareil n'est pas débranché du secteur aussi longtemps qu'il reste raccordé à la prise secteur, même s'il a été mis hors tension.



## ATTENTION

**Le non-respect des consignes suivantes peut entraîner des blessures ou des dommages matériels.**

### N'installez aucun appareil autre que ceux spécifiés.

Ce support TV est conçu pour être utilisé avec le produit spécifié uniquement. Si vous installez un appareil autre que ceux spécifiés, celui-ci pourrait tomber ou se briser, et vous risquez de vous blesser. Les illustrations de ce document montrent le modèle KDL-46NX71□, sauf indication contraire.

### Veillez à bien fixer le téléviseur.

Fixez le téléviseur au support TV à l'aide des vis fournies. Si le téléviseur n'est pas correctement fixé, il risque de tomber ou le support TV peut basculer, et vous risquez de vous blesser.

### Remarques à propos de l'installation

Le support ne doit jamais être installé selon un angle ou incliné. Pour éviter cela, respectez les consignes de sécurité suivantes.

Si vous installez le support TV sur une surface molle, notamment sur de la moquette ou sur un tapis, posez au préalable une planche à l'emplacement correspondant.

- N'installez pas le support TV dans un endroit exposé à la lumière directe ou à proximité d'une source de chaleur.
- N'installez pas le support TV dans un endroit exposé à la chaleur ou à l'humidité, ni à l'extérieur.

### Remarque concernant l'utilisation

#### Nettoyage

Pour maintenir le support TV propre, nettoyez-le de temps en temps avec un chiffon doux et sec. Pour éliminer les taches tenaces, utilisez un chiffon légèrement imprégné de savon au pH neutre. Essayez ensuite la surface nettoyée avec un chiffon doux et sec. N'utilisez pas de produits chimiques, notamment du diluant ou de l'essence, car ils risquent d'endommager la surface du support TV.

### Veillez à ce que le travail d'installation soit effectué par au moins deux personnes.

L'installation du téléviseur sur le support TV doit être effectuée par au moins deux personnes. Si une seule personne se charge de l'installation, un accident ou des blessures peuvent être occasionnés.

### Ne modifiez pas le support TV.

Il risque de tomber et de vous blesser.

### Veillez à monter le support TV correctement en suivant les instructions.

Serrez correctement les vis. Si le téléviseur n'est pas correctement fixé, il risque de tomber et vous risquez de vous blesser.

### Prenez garde de ne pas vous blesser les mains ou les doigts pendant le montage.

- Ne déplacez pas le support TV en le saisissant par le pied.
- Veillez à ne pas vous blesser les mains ou les doigts lors de l'installation du téléviseur.

## PRÉCAUTIONS

### À propos des sources d'alimentation

- Si vous envisagez de ne pas utiliser le support TV pendant une période prolongée, veillez à le débrancher de la prise murale. Pour débrancher le cordon d'alimentation CA, saisissez la fiche proprement dite, mais ne tirez jamais sur le cordon.
- Le remplacement du cordon d'alimentation CA doit être effectué exclusivement dans un atelier de service qualifié.

### À propos de l'utilisation

Avant de raccorder d'autres appareils, veillez à mettre le support TV hors tension et à débrancher le cordon d'alimentation CA.



---

## Copyrights

Ce support TV intègre les systèmes Dolby\* Digital et Pro Logic Surround, ainsi que DTS\*\* Digital Surround System.

\* Fabriqué sous licence de Dolby Laboratories.

Dolby, Pro Logic et le symbole double-D sont des marques de Dolby Laboratories.

\*\* Fabriqué sous licence des brevets américains suivants :

5 451 942 ; 5 956 674 ; 5 974 380 ; 5 978 762 ; 6 487 535, ainsi que d'autres brevets délivrés ou en instance aux Etats-Unis et dans le monde. DTS et son symbole sont des marques déposées et DTS Digital Surround ainsi que les logos DTS sont des marques commerciales de DTS, Inc. Ce produit comprend un logiciel. © DTS, Inc. Tous droits réservés.

Ce support TV intègre la technologie High-Definition Multimedia Interface (HDMI™).

HDMI, le logo HDMI et High-Definition Multimedia Interface sont des marques commerciales ou des marques déposées de HDMI Licensing LLC aux Etats-Unis et dans d'autres pays.

« BRAVIA » est une marque de Sony Corporation.

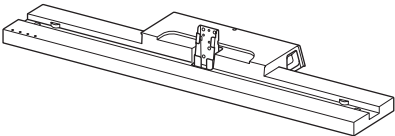

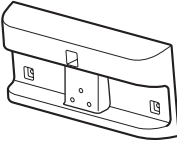
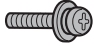
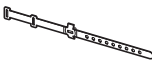


**Remarque concernant le retrait du support TV de son emballage**

Tenez fermement le support TV et manipulez-le avec soin.

Reportez-vous au mode d'emploi fourni avec votre téléviseur pour toute information sur la manière de détacher le support de table du téléviseur.

# Étape 1 : Vérification des pièces

Nom	Quantité
Support 	1
Panneau arrière* 	2
Joint 	1
Vis de fixation du montant du support TV (PSW5 × 16) de couleur noire (× 3) Vis du joint (PSW5 × 16) de couleur noire (× 3) 	6
Adaptateur CA	
Cordon d'alimentation CA	
Câble High Speed HDMI	1
Support de câble 	1
Mode d'emploi	1
Fiche de garantie	

\* Pour le modèle SU-B550S seulement.

**AVERTISSEMENT**

Si vous coincez le cordon d'alimentation CA sous ou entre des pièces de l'équipement, un court-circuit ou une secousse électrique risque de se produire. Si vous trébuchez sur le cordon d'alimentation CA ou le câble de raccordement, vous risquez de faire basculer le support TV et de vous blesser.

**Choisissez l'emplacement d'installation et posez le support TV sur le sol avant d'installer le téléviseur.**

Étant donné que le téléviseur est lourd, il est recommandé de choisir tout d'abord l'emplacement d'installation, puis de monter le support TV à l'emplacement choisi.

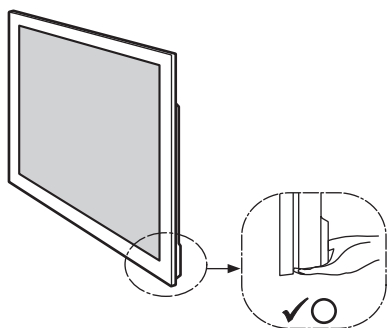
## Étape 2 : Installation du téléviseur

### Avant le montage

- Assurez-vous de disposer d'un tournevis Phillips correspondant aux vis avant de procéder au montage.
- Si vous utilisez un tournevis électrique, réglez son couple sur 1,5 N·m {15 kgf·cm} environ.

### 1 Tenez le téléviseur au point spécifié lorsque vous le déplacez.

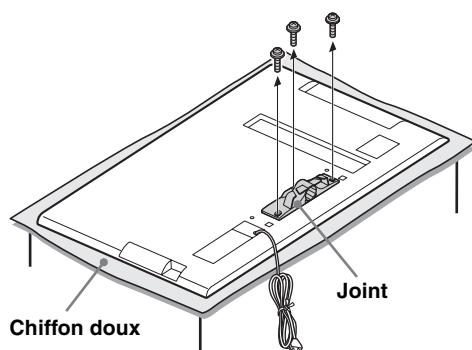
Assurez-vous de tenir le téléviseur comme indiqué :



- Lorsque vous déplacez le téléviseur en le tenant par les mains, procédez comme illustré ci-dessus. N'exercez aucune pression sur le panneau LCD ni sur le cadre du téléviseur.

### 2 Retirez les vis du joint à l'arrière du téléviseur.

Faites glisser le joint vers le bas pour le détacher.



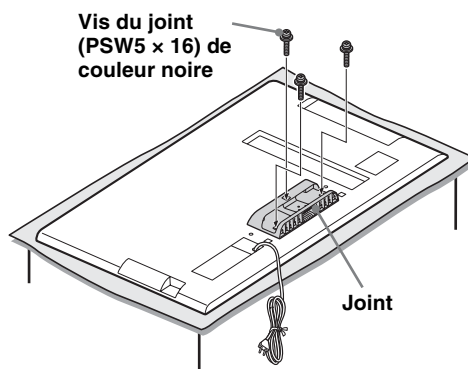
- Veillez à ne pas égarer les vis retirées.
- Lorsque vous retirez le support de table de l'écran, reposez l'écran face vers le bas sur une surface de travail stable qui est plus grande que l'écran.
- Pour éviter d'endommager la surface de l'écran LCD, placez un chiffon doux sur la surface de travail.

### ATTENTION

- Si vous appliquez une pression ou un choc à la surface de l'écran LCD, vous risquez de le briser ou de l'endommager.
- Reposez l'écran face vers le bas sur une surface stable et de niveau, en laissant pendre le support de table par-dessus sur le bord de la surface.  
Si la face de l'écran et la base du support de table reposent sur une surface de même niveau, les conditions de travail deviennent instables et vous risquez d'endommager l'écran.

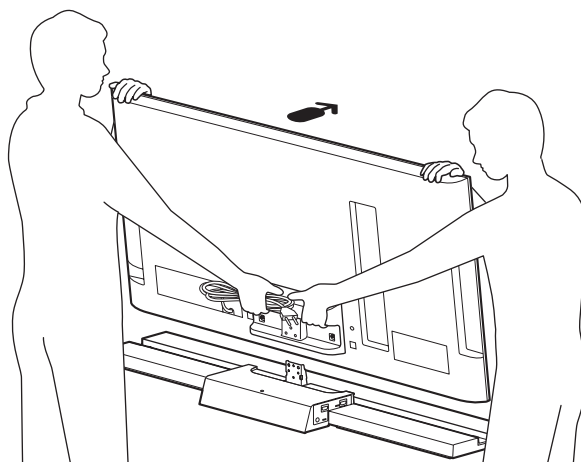
### 3 Fixez le joint fourni à l'arrière du téléviseur à l'aide des trois vis (PSW5 × 16) de couleur noire (fournies).

Faites glisser le joint fourni vers le haut pour le fixer.



### 4 Installez le téléviseur sur le support TV.

Le téléviseur est installé en le plaçant dans la rainure du support TV.

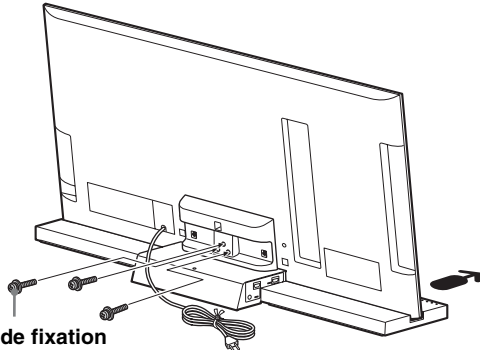


← Le sens de la flèche indique l'avant du support TV.

(Suite)

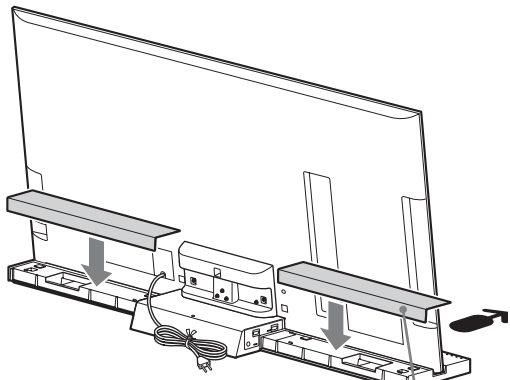
7 (FR)

- 5** Fixez le téléviseur et le support TV à l'aide des trois vis de fixation du montant du support TV (PSW5 x 16) de couleur noire (fournies).



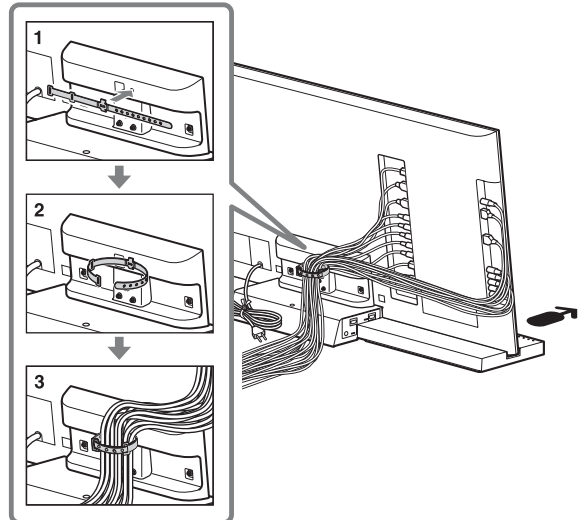
Vis de fixation  
du montant du  
support TV  
(PSW5 x 16) de  
couleur noire

- 6** Fixez le panneau arrière au support TV. (Pour le modèle SU-B550S seulement.)



Panneau arrière

- 7** Regroupement des câbles.

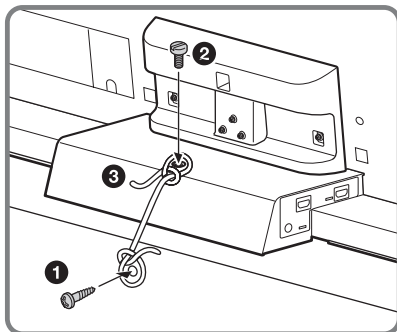
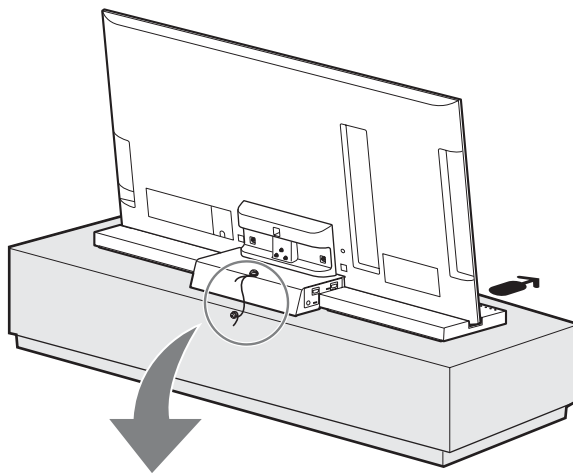


- Ne regroupez pas le cordon d'alimentation CA avec d'autres câbles.

## Étape 3 : Mesures de sécurité pour éviter le basculement

### AVERTISSEMENT

Veillez à prendre les mesures nécessaires afin d'éviter que le support TV ne bascule, ce qui pourrait provoquer des blessures et des dégâts.

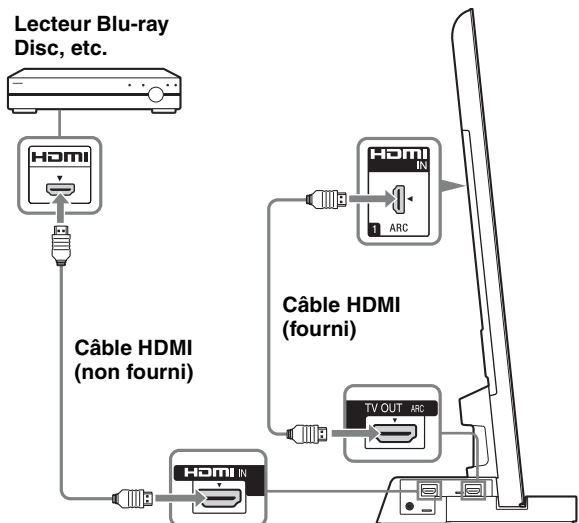


- 1 Fixez une vis à bois (4 mm de diamètre, non fournie) sur la planche.
- 2 Fixez une vis à métaux (M4 x 16, non fournie) dans l'orifice du support TV.
- 3 Reliez la vis à bois et la vis à métaux à l'aide d'un lien résistant (non fourni).

## Étape 4 : Raccordement du téléviseur et du lecteur

### Raccordez le téléviseur avec une prise HDMI au support TV à l'aide d'un câble HDMI.

Lors du raccordement de composants compatibles Sony « BRAVIA » Sync à l'aide de câbles HDMI, le fonctionnement peut être simplifié en activant la fonction Commande pour HDMI du téléviseur.



- Le support TV est compatible avec la fonction Audio Return Channel (ARC). Si vous raccordez le support TV à la prise HDMI du téléviseur compatible ARC à l'aide d'un câble HDMI, il n'est pas nécessaire de raccorder le téléviseur au support TV à l'aide du cordon optique numérique.
- Les lettres « ARC » sont indiquées à côté de la prise HDMI du téléviseur s'il est compatible avec la fonction ARC. Même si vous raccordez un câble HDMI à la prise, vous ne pouvez pas utiliser la fonction ARC si la prise d'entrée HDMI n'est pas compatible avec la fonction ARC.
- La fonction ARC est uniquement disponible si la fonction Commande pour HDMI est activée.



- Même si le support TV est éteint (mode veille active), le signal HDMI est transmis par le composant connecté au téléviseur via la connexion HDMI. Vous pouvez bénéficier du son et de l'image du composant sur le téléviseur.

### Remarques sur les connexions HDMI

- Utilisez un Câble High Speed HDMI. Si vous utilisez un câble HDMI standard, les images 1080p, Deep Colour ou 3D risquent de ne pas s'afficher correctement.
- Nous vous recommandons d'utiliser un câble agréé HDMI.

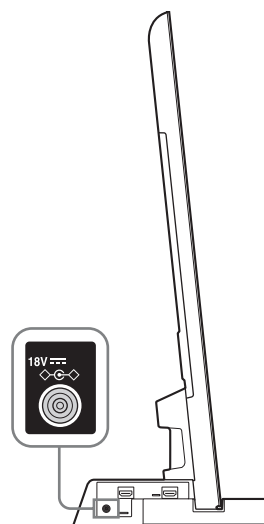
(Suite)

9 (FR)

- Si la qualité d'image est médiocre ou si le son n'est pas reproduit par un composant connecté à l'aide du câble HDMI, vérifiez la configuration de ce composant.
- Il se peut que les signaux audio (fréquence d'échantillonnage, longueur binaire, etc.) transmis par une prise HDMI soient supprimés par le composant connecté.
- Le son peut être interrompu en cas de modification de la fréquence d'échantillonnage ou du nombre de canaux des signaux de sortie audio provenant du composant utilisé pour la lecture.
- Si le composant connecté n'est pas compatible avec la technologie de protection des droits d'auteur (HDCP), l'image et/ou le son provenant de la prise HDMI TV OUT peuvent être déformés ou absents. Dans ce cas, vérifiez les caractéristiques du composant connecté.
- Nous déconseillons d'utiliser un câble de conversion HDMI-DVI.
- Ce système prend en charge les émissions Deep Colour, « x.v.Colour » et 3D.

## Étape 5 : Raccordement du cordon d'alimentation CA

Avant de raccorder le cordon d'alimentation CA du support TV à une prise murale, raccordez tous les autres composants et le téléviseur au support TV.



- Raccordez le support TV à une prise secteur aisément accessible. Si vous constatez que le support TV présente une anomalie, débranchez immédiatement la fiche principale de la prise secteur.

# Étape 6 : Exécution des réglages du téléviseur

## ❶ Réglez sur « Oui » la fonction « Commande pour HDMI ».

Appuyez sur la touche HOME de la télécommande du téléviseur et sélectionnez le menu comme suit ;

🗑️ Réglages > 📺 Entrées externes > Réglage HDMI > Commande pour HDMI > Oui

## ❷ Réglez sur « Système Audio » dans le menu « Haut-parleurs ».

Appuyez sur la touche HOME de la télécommande du téléviseur et sélectionnez le menu comme suit ;

🗑️ Réglages > 🔊 Son > Haut-parleurs > Système Audio



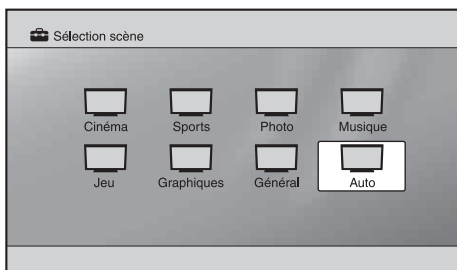
- Une fois terminés les réglages des procédures ❶ et ❷, le voyant **I** (alimentation) s'allume en vert.



### • Mode Sélection scène

Ce support TV est automatiquement synchronisé avec les paramètres du son du téléviseur et fonctionne de concert avec la fonction Sélection scène, ce qui vous permet de choisir votre son préféré pour la scène sélectionnée.

Pour changer de son, modifiez les paramètres du son du téléviseur.



Avant de pouvoir utiliser ce mode, veuillez à régler les paramètres suivants sur le téléviseur.

# Dépannage

## Son

Absence de son :

- Vérifiez le raccordement du câble HDMI.
- Vérifiez les réglages de « Commande pour HDMI » et « Système Audio » à l'Étape 6 (page 11).

Utilisation avec un casque :

- Réglez « Système Audio » sur « Haut-parleur TV » dans le réglage « Haut-parleurs ».

En utilisant le son double de la transmission numérique du téléviseur :

- Selon la transmission, le son ne peut pas commuter. Basculez le réglage « Sortie optique » du téléviseur de « Auto » sur « PCM ».

Utilisation d'un appareil externe pour le son double :

- S'il n'est pas possible de basculer le son, basculez le réglage de la sortie audio de l'appareil externe pour activer PCM.

## Voyant

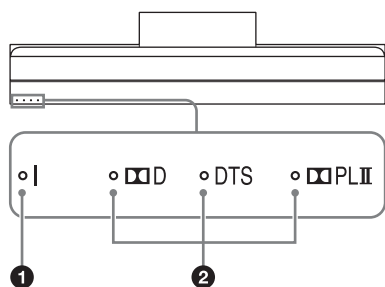
Bien que le téléviseur soit sous tension, le voyant **I** (alimentation) du support TV ne s'allume pas :

- Vérifiez le raccordement du cordon d'alimentation CA, etc.
- Contactez les services d'assistance à la clientèle.

Le voyant **I** (alimentation) clignote en rouge :

- Ce produit présente peut-être un dysfonctionnement. Vérifiez le nombre de clignotements du voyant et contactez le centre de service Sony.

# Voyant



## 1 Voyant I (alimentation)

S'allume comme suit :

Vert : Le support TV est sous tension. (« Système Audio » est réglé sur « Haut-parleurs ».)

Éteint : Le support TV est en veille ou hors tension.

## 2 Voyants de format audio

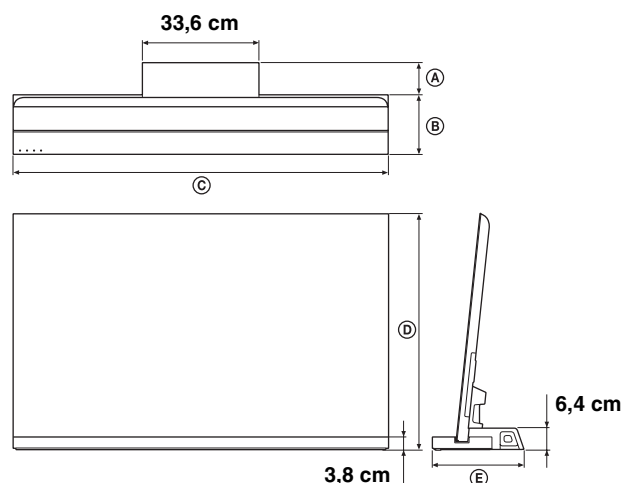
S'allume en fonction du format audio qui parvient au support TV.

D : Dolby Digital

DTS

PLII : Dolby Pro Logic II

# Spécifications



		SU-B550S	SU-B460S	SU-B400S
Dimensions : cm	(A)	8,1	9,3	10
	(B)	20	17,2	16,1
	(C)	127,6	108,3	94,4
	(D)	79,3	68,4	60,6
	(E)	28,1	26,5	26,1
Poids du support :		5,8 kg	5,4 kg	5,1 kg

## Partie amplificateur

Puissance de sortie nominale

Avant : 10 W + 10 W, (par canal)

12 ohms, 1 kHz, DHT inférieure à 1 %

Caisson de graves : 20 W, 6 ohms,

100 Hz, DHT inférieure à 1 %)

## Partie HDMI

Connecteur

Connecteur HDMI™

Entrées/sorties vidéo

640 × 480p@60 Hz

720 × 480p@59,94/60 Hz

1280 × 720p@59,94/60 Hz

1920 × 1080i@59,94/60 Hz

1920 × 1080p@59,94/60 Hz

720 × 576p@50 Hz

1280 × 720p@50 Hz

1920 × 1080i@50 Hz

1920 × 1080p@50 Hz

1920 × 1080p@24 Hz

Deep Colour : 30 bits/36 bits



Entrées/ sorties vidéo (3D)	1280 × 720p@59,94/60 Hz
	Paquet d'images
	1920 × 1080i@59,94/60 Hz
	Paquet d'images
	1920 × 1080i@59,94/60 Hz
	Côté à côté (Demi)
	1920 × 1080p@59,94/60 Hz
	Côté à côté (Demi)
	1280 × 720p@50 Hz
	Paquet d'images
	1920 × 1080i@50 Hz
	Paquet d'images
	1920 × 1080i@50 Hz
	Côté à côté (Demi)
	1920 × 1080p@50 Hz
Côté à côté (Demi)	
1920 × 1080p@24 Hz	
Paquet d'images	
Deep Colour : 30 bits/36 bits	
Entrées audio	PCM linéaire 7.1 canaux
	Dolby Digital/DTS

## Haut-parleurs

### Enceinte avant

Enceinte	Type Bass reflex à 2 voies, 3 excitateurs
Haut-parleur	Graves : 30 × 82 mm de type conique ×2 Aigus : 14 mm de type dôme

### Caisson de graves

Enceinte	Caisson de graves, type Bass reflex
Haut-parleur	70 mm de type conique

## Caractéristiques générales

Puissance requise 100 – 240 V, 50/60 Hz

Consommation électrique

Marche : 12 W

Veille : 0,7 W

- Consommation électrique en veille : 0,7 W
- Les ignifuges halogénés ne sont pas utilisés dans certaines cartes de circuits imprimés.
- Plus de 85 % de l'efficacité de puissance du bloc amplificateur est obtenue avec l'amplificateur entièrement numérique, S-Master.

La conception et les spécifications sont sujettes à modification sans préavis.

## Sobre la seguridad

Muchas gracias por la adquisición de este producto.

Los productos de Sony están diseñados pensando en la seguridad. El uso incorrecto del producto puede provocar lesiones graves a raíz de un incendio o una descarga eléctrica, o si el producto vuelca o se cae. Para evitar tales accidentes, asegúrese de observar las precauciones de seguridad.

Este manual de instrucciones muestra la manera correcta de manipular el producto, así como precauciones importantes necesarias para evitar accidentes. Lea detenidamente este manual y utilice el producto correctamente. Conserve este manual para poder consultarlo en el futuro.

El fabricante de este producto es Sony Corporation, 1-7-1 Konan Minato-ku Tokyo, 108-0075 Japón. El representante autorizado para EMC y seguridad en el producto es Sony Deutschland GmbH, Hedelfinger Strasse 61, 70327 Stuttgart, Alemania. Para cualquier asunto relacionado con servicio o garantía por favor diríjase a la dirección indicada en los documentos de servicio o garantía adjuntados con el producto.

## PRECAUCIÓN

### Productos especificados

Este soporte está diseñado para su uso con los siguientes productos de Sony especificados. No instale el soporte en ningún otro producto.

Los siguientes productos están sujetos a cambios sin previo aviso, pueden no estar disponibles o tal vez hayan dejado de fabricarse.

Asimismo, algunos modelos sólo se venden en ciertas regiones.

	Televisor LCD en color
SU-B550S	KDL-55NX81□*
SU-B460S	KDL-46NX71□*
SU-B400S	KDL-40NX71□*

(A agosto de 2010)

\* En los nombres reales de los modelos, la "□" indica números y/o caracteres específicos de cada modelo.

### Ubicación de la etiqueta de identificación

La etiqueta del n.º de modelo está ubicada en la parte posterior del soporte para TV.

## Cómo deshacerse del soporte para TV



Tratamiento de los equipos eléctricos y electrónicos al final de su vida útil (aplicable en la Unión Europea y en países europeos con sistemas de recogida selectiva de residuos)

Este símbolo en el equipo o el embalaje indica que el presente producto no puede ser tratado como residuo doméstico normal, sino que debe entregarse en el correspondiente punto de recogida de equipos eléctricos y electrónicos. Al asegurarse de que este producto sea desechado correctamente, Ud. ayuda a prevenir las consecuencias negativas para el medio ambiente y la salud humana que podrían derivarse de la incorrecta manipulación en el momento de deshacerse de este producto. El reciclaje de materiales ayuda a conservar los recursos naturales. Para recibir información detallada sobre el reciclaje de este producto, póngase en contacto con su ayuntamiento, el punto de recogida más cercano o el establecimiento donde ha adquirido el producto.

## ADVERTENCIA

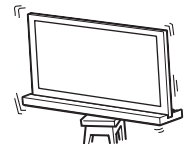
Si no se siguen las medidas de seguridad siguientes, pueden producirse lesiones graves a raíz de un incendio o una descarga eléctrica, o si el producto vuelca o se cae.

### Tome las debidas precauciones para evitar que el soporte para TV se vuelque.

De lo contrario, el televisor podría volcarse y provocar daños. Fije el soporte para TV y el estante, etc., para evitar que se vuelque.

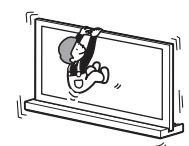
### Asegúrese de instalar el soporte para TV en una superficie estable.

Si instala el soporte para TV en una superficie inestable, podría perder el equilibrio y volcar o caer. Esto podría provocar lesiones o daños materiales.



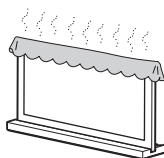
### No se apoye en el televisor ni se cuelgue de él cuando esté instalado en el soporte para TV.

El soporte para TV podría volcarse o el televisor podría caerse y provocar importantes daños e incluso la muerte.



## No obstruya el orificio de ventilación del televisor.

Las rejillas de ventilación del televisor son necesarias para garantizar un buen funcionamiento del mismo y evitar sobrecalentamiento.



- No tape las rejillas de ventilación con un paño o material similar.
- No deje que caiga líquido ni objetos sólidos dentro de las rejillas de ventilación.

## No ponga objetos con líquido (un florero o una maceta, por ejemplo) encima del televisor.

## No se debe utilizar el televisor enchufado a la corriente cerca de una zona de agua, por ejemplo, cerca de una bañera, lavabo, fregadero, pila de lavado, sótanos con agua estancada ni cerca de una piscina, etc.

## No instale el televisor en lugares sujetos a temperaturas extremas, por ejemplo, bajo la luz solar directa, cerca de un radiador o de una salida de aire caliente.

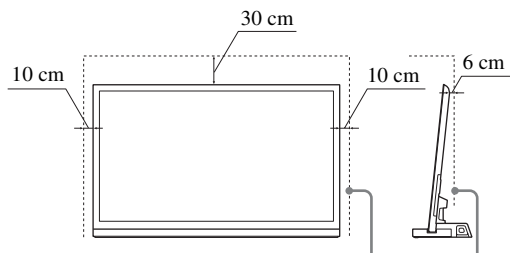
El televisor podría sobrecalentarse en esas circunstancias y provocar deformaciones en la carcasa o errores de funcionamiento del televisor.

## No instale el televisor en lugares expuestos a corrientes directas de aire acondicionado.

La humedad podría condensarse en el interior del televisor y averiarlo.

## Deje el espacio adecuado alrededor del televisor para permitir una buena circulación del aire.

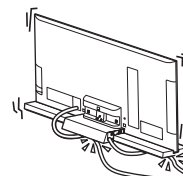
Deje espacio suficiente alrededor del televisor, tal como se muestra a continuación.



Deje al menos este espacio alrededor de la unidad.

## Cable de alimentación de CA

- Utilice únicamente cables de alimentación de CA suministrados por Sony, no utilice ninguno de otra marca.
- Evite que el cable de alimentación de CA o el cable de conexión queden aplastados al instalar el televisor en el soporte para TV. Si el cable de alimentación de CA o el cable de conexión sufren daños, podría provocar un incendio o generar una descarga eléctrica.
- No pise el cable de alimentación de CA o el cable de conexión cuando transporte el soporte para TV. Dichos cables podrían dañarse y esto podría provocar un incendio o generar una descarga eléctrica.
- Si se tropieza con alguno de estos cables, el soporte para TV podría volcarse y provocar daños.
- Si desenchufa el cable de alimentación de CA de la toma de pared, el soporte para TV quedará totalmente desconectado de la corriente eléctrica.



## NOTA ACERCA DEL ADAPTADOR DE CORRIENTE

### Advertencia

Para reducir el riesgo de incendios o electrocución, no exponga la unidad a la lluvia ni a la humedad.

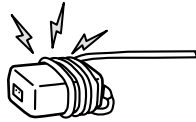
Para evitar el riesgo de incendios o electrocución, no coloque sobre el aparato objetos que contengan líquidos, como por ejemplo jarrones.

No instale la unidad en un espacio cerrado como, por ejemplo, una estantería o similar.

- Compruebe que la toma de corriente de pared se encuentra instalada cerca del equipo y que resulta de fácil acceso.
- Asegúrese de utilizar el adaptador de alimentación y el cable de alimentación suministrados.
- No utilice ningún otro adaptador de corriente. Podría provocar fallos de funcionamiento.
- Conecte el adaptador de corriente a una toma de corriente de fácil acceso.

(Continuación)

- No enrolle el cable de alimentación alrededor del adaptador de alimentación. El cable principal podría romperse y causar un fallo de funcionamiento del televisor.
- No toque el adaptador de corriente con las manos mojadas.
- Si detecta un funcionamiento anómalo del adaptador de corriente, desconéctelo de la toma de corriente de inmediato.
- El equipo no está desconectado de la fuente de alimentación mientras permanezca conectado a la toma de corriente, incluso si se ha apagado.



## PRECAUCIÓN

Si no se tienen en cuenta las precauciones siguientes, podrían producirse daños personales o materiales.

### No instale equipos que no sean el producto especificado.

Este soporte para TV se ha diseñado para utilizarse únicamente con el producto especificado. Si instala equipos que no sean los especificados, podrían caerse o romperse y provocar lesiones. Las ilustraciones incluidas en este manual representan el modelo KDL-46NX71□, a no ser que se indique lo contrario.

### Asegúrese de fijar bien el televisor.

Fije el televisor al soporte para TV con ayuda de los tornillos suministrados. Si no instala el televisor adecuadamente, podría caerse, o el soporte para TV podría volcarse y provocar lesiones.

### Notas sobre la instalación

No lo instale en ángulo ni inclinado. Para ello, respete las precauciones siguientes.

Si instala el soporte para TV en una superficie blanda, como un tapete o una alfombra, cubra primero dicha zona con un panel.

- No instale el soporte para TV en un sitio expuesto a la luz directa del sol ni cerca de un calentador.
- No instale el soporte para TV en un sitio caluroso o húmedo, ni al aire libre.

### Notas sobre el uso

#### Limpieza

Para mantener el soporte para TV limpio, utilice un paño suave y seco. Las manchas difíciles se pueden quitar con un paño ligeramente humedecido con jabón neutro. Asegúrese de secar la zona a continuación con un paño suave y seco. No utilice productos químicos, como disolventes o bencina, ya que pueden dañar el acabado del soporte para TV.

### Asegúrese de que al menos dos o más personas realizan el trabajo de instalación.

Asegúrese de que al menos dos o más personas instalan el televisor en el soporte para TV. Si una persona realiza sola la instalación, puede sufrir accidentes o lesiones.

### No modifique el soporte para TV.

Podría caerse y provocar heridas.

### Asegúrese de seguir las instrucciones para instalar firmemente el soporte para TV.

Apriete bien los tornillos. Si el televisor no se instala firmemente, podría caerse y provocar caídas.

### Tenga cuidado de no lastimarse las manos o los dedos durante el montaje.

- No mueva el soporte para TV sujetándolo del embellecedor vertical.
- Tenga cuidado de no hacerse daño en los dedos ni en las manos al instalar el televisor.

## PRECAUCIONES

### Sobre las fuentes de alimentación

- Si no va a utilizar el soporte para TV durante un periodo prolongado, es importante que desconecte el soporte para TV de la toma de pared. Para desconectar el cable de alimentación de CA, siempre agárrelo por el enchufe, nunca tire del cable.
- El cable de alimentación de CA sólo debe sustituirse en un centro de servicio técnico cualificado.

### Sobre el funcionamiento

Antes de conectar otros componentes, es muy importante apagar y desenchufar el soporte para TV.

### Derechos de autor

Este soporte para TV incorpora Dolby\* Digital, Pro Logic Surround y DTS\*\* Digital Surround System.

\* Fabricado bajo licencia de Dolby Laboratories.

Dolby, Pro Logic y el símbolo de la doble D son marcas comerciales de Dolby Laboratories.

\*\* Fabricado bajo licencia según Patente de los EE. UU. N.º:

5.451.942; 5.956.674; 5.974.380; 5.978.762; 6.487.535 y otras patentes emitidas y pendientes en los EE. UU. y el resto del mundo. DTS y el símbolo de DTS son marcas comerciales registradas y DTS Digital Surround y los logotipos de DTS son marcas comerciales de DTS, Inc. Incluye el software de los productos. © DTS, Inc. Reservados todos los derechos.

Este soporte para TV incorpora tecnología High-Definition Multimedia Interface (HDMI™).

HDMI, el logotipo de HDMI y High-Definition Multimedia Interface son marcas comerciales o marcas comerciales registradas de HDMI Licensing LLC en los EE. UU. y otros países.

“BRAVIA” es una marca comercial de Sony Corporation.



**Nota sobre la extracción del soporte para TV de la caja**

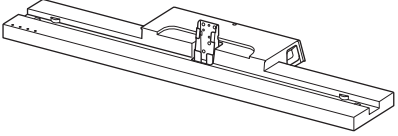
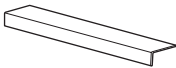
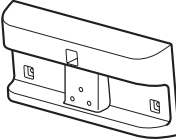


Asegúrese de sujetar bien el soporte para TV y de manipularlo con cuidado.

**Elija la ubicación de instalación y coloque el soporte para TV en el suelo antes de instalar el televisor.**

Dado que el televisor es pesado, se recomienda que elija la ubicación de instalación de antemano y que coloque el soporte para TV en el suelo.

Consulte el manual de instrucciones suministrado con el televisor para saber cómo quitar el soporte de sobremesa del televisor.

# Paso 1: Comprobación de las piezas

Nombre	Cantidad
Soporte 	1
Tapa posterior* 	2
Unión 	1
Tornillo de fijación del embellecedor vertical del soporte para TV (PSW5 × 16) negro (× 3) Tornillo para unión (PSW5 × 16) negro (× 3) 	6
Adaptador de CA	
Cable de alimentación de CA	
Cable High Speed HDMI	1
Portacables 	1
Manual de instrucciones	1
Tarjeta de garantía	

\* Sólo para el modelo SU-B550S.

**ADVERTENCIA**

Si el cable de alimentación de CA queda atrapado debajo de un componente o entre varios componentes del equipo, podría producirse un cortocircuito o una descarga eléctrica. Si se tropieza con alguno de estos cables, el soporte para TV podría volcarse y provocar daños.

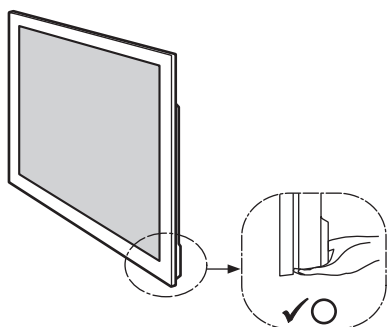
# Paso 2: Instalación del televisor

## Antes del montaje

- Antes de comenzar el montaje, asegúrese de contar con un destornillador de estrella adecuado para fijar los tornillos.
- Si utiliza un destornillador eléctrico, ajuste el par aproximadamente a 1,5 N·m { 15 kgf·cm }.

## 1 Sujete el televisor por donde se indica cuando lo transporte.

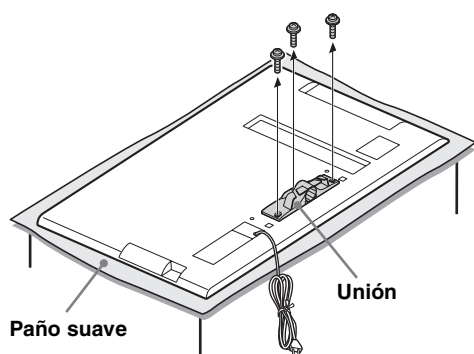
Asegúrese de sujetar el televisor tal y como se indica:



- Si transporta el televisor con las manos, sujételo tal y como se indica. No presione la pantalla LCD ni el bastidor que rodea la pantalla.

## 2 Quite los tornillos de la unión en la parte posterior del televisor.

Deslice la unión hacia abajo para separarla.



- No pierda los tornillos que ha quitado.
- Cuando quite el soporte de sobremesa de la pantalla, póngala boca abajo sobre una superficie de trabajo estable más grande que la propia pantalla.
- Para evitar que la superficie de la pantalla LCD se arañe, es muy importante poner un paño suave en la superficie de trabajo.

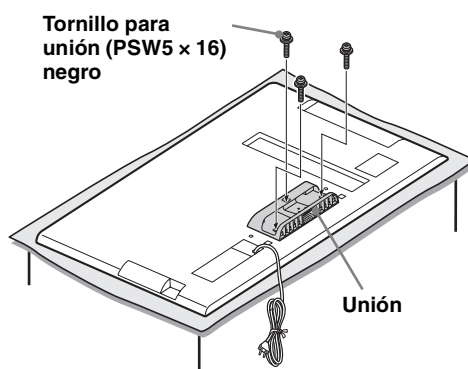
## PRECAUCIÓN

- Si se aplica presión o se dan golpes en la superficie de la pantalla, el LCD podría quebrarse o averiarse.
- Deje la pantalla boca abajo sobre una superficie estable y nivelada. El soporte de sobremesa debe sobresalir por el borde de la superficie.

Si la pantalla y la base del soporte de sobremesa están al mismo nivel en la superficie, las condiciones de trabajo no serán estables y podría averiar la pantalla.

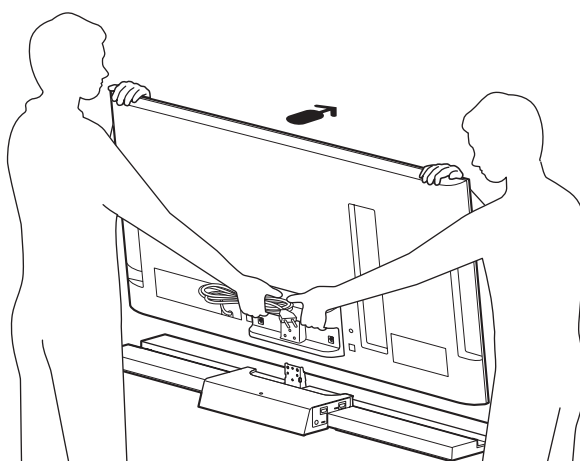
## 3 Fije la unión suministrada en la parte posterior del televisor con ayuda de los tres tornillos (PSW5 x 16) negros (suministrados).

Deslice la unión hacia arriba para fijarla.



## 4 Instale el televisor en el soporte para TV.

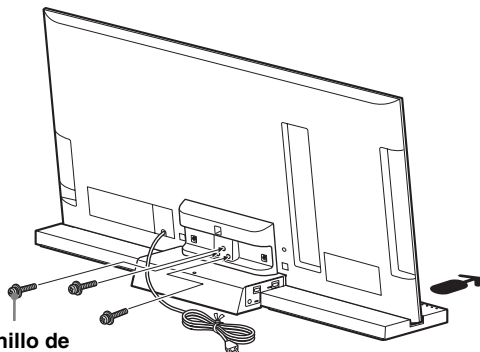
El televisor se instala colocándolo en la ranura del soporte para TV.



← La dirección de la flecha indica la parte frontal del soporte para TV.

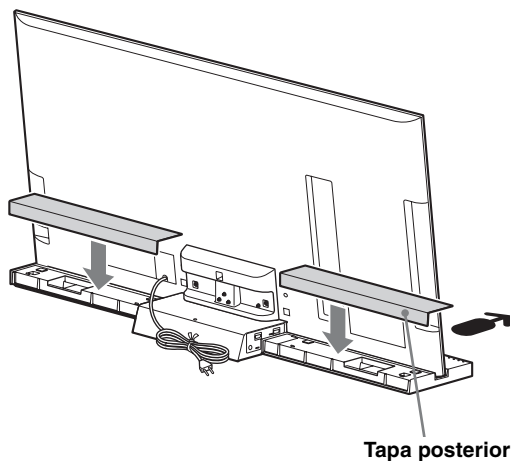
(Continuación)

- 5** Fije el televisor y el soporte para TV con ayuda de los tres tornillos de fijación del embellecedor vertical del soporte para TV (PSW5 × 16) negros (suministrados).



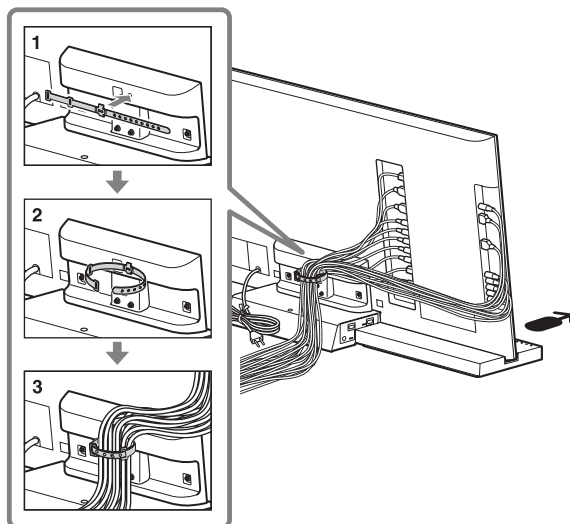
Tornillo de fijación del embellecedor vertical del soporte para TV (PSW5 × 16) negro

- 6** Fije la tapa posterior al soporte para TV. (Sólo para el modelo SU-B550S)



Tapa posterior

- 7** Cómo pasar los cables.



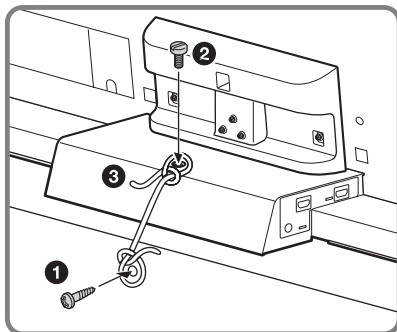
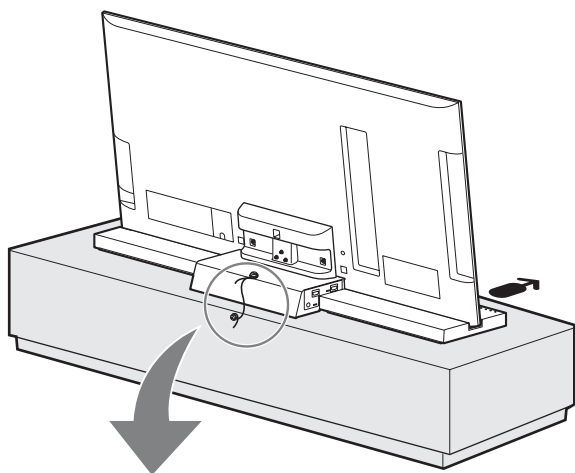
- No agrupe el cable de alimentación de CA con el resto de los cables.



## Paso 3: Medidas de seguridad para evitar que el televisor se vuelque

### ADVERTENCIA

Tome las debidas precauciones para evitar que el soporte para TV se vuelque y provoque posibles lesiones y daños materiales.



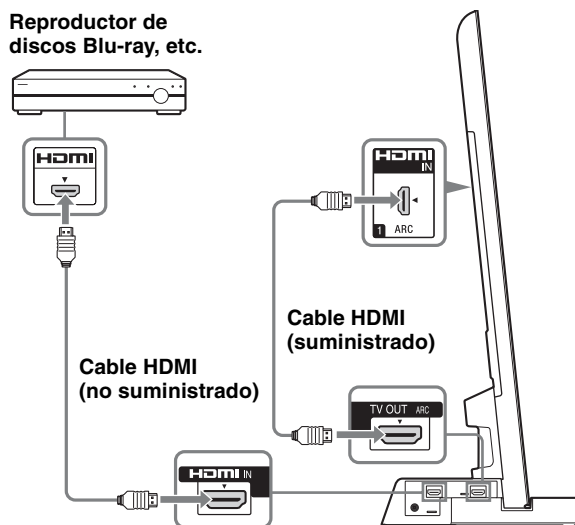
- 1 Coloque un tornillo para madera (4 mm de diámetro, no suministrado) en el tablero.
- 2 Coloque un tornillo para metales (M4 x 16, no suministrado) en el orificio del soporte para TV.
- 3 Ate el tornillo para madera y el tornillo para metales con una cuerda resistente (no suministrada).

## Paso 4: Conexión del televisor y el reproductor

### Conecte el televisor con una toma HDMI al soporte para TV mediante un cable HDMI.

Al conectar componentes compatibles con "BRAVIA" Sync de Sony mediante cables HDMI, el funcionamiento se puede simplificar cuando ajusta las funciones de Control por HDMI para el televisor.

#### Reproductor de discos Blu-ray, etc.



- El soporte para TV es compatible con la función Audio Return Channel (ARC). Si conecta el soporte para TV a la toma HDMI del televisor compatible con ARC a través de un cable HDMI, no es necesario que conecte el televisor al soporte para TV con el cable digital óptico.
- Las letras "ARC" se pueden ver junto a la toma HDMI del televisor si éste es compatible con la función ARC. Aunque se conecte un cable HDMI a la toma, si la toma de la entrada HDMI no es compatible con la función ARC, no se podrá utilizar la función ARC.
- La función ARC solo está disponible cuando Control por HDMI está activado.



- Aunque el soporte para TV se encuentre apagado (modo de espera activo), la señal HDMI se envía desde el componente conectado al televisor a través de la conexión HDMI. Es posible disfrutar de las imágenes y el sonido procedente del componente en el televisor.

#### Notas acerca de las conexiones HDMI

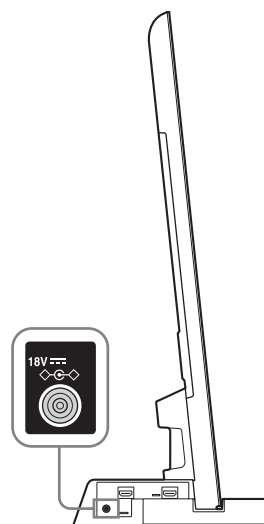
- Utilice un cable High Speed HDMI. Si utiliza un cable Standard HDMI, es posible que las imágenes 1080p, Deep Colour o 3D no se visualicen correctamente.
- Se recomienda utilizar un cable HDMI autorizado.

(Continuación)

- Compruebe la configuración del componente conectado si la imagen es de baja calidad o si el componente no emite audio mediante el cable HDMI.
- Es posible que el componente conectado cancele las señales de audio (frecuencia de muestreo, longitud de bits, etc.) que se transmiten desde una toma HDMI.
- Es posible que se interrumpa el sonido si se modifican la frecuencia de muestro o el número de canales de las señales de emisión de audio del componente en reproducción.
- Si el componente conectado no es compatible con la tecnología de protección de derechos de autor (HDCP), es posible que la imagen o el sonido de la toma HDMI TV OUT se emita distorsionado o que no se emita. En este caso, compruebe las especificaciones del componente conectado.
- No es recomendable el uso de un cable de conversión HDMI-DVI.
- Este sistema es compatible con las transmisiones Deep Colour, "x.v.Colour" y 3D.

## Paso 5: Conexión del cable de alimentación de CA

Antes de conectar el cable de alimentación de CA del soporte para TV a una toma de pared, conecte el resto de componentes y el televisor al soporte para TV.



- Conecte el soporte para TV a una toma de alimentación de CA fácilmente accesible. Si detecta cualquier anomalía en el soporte para TV, extraiga inmediatamente el enchufe de la toma de alimentación de CA.

## Paso 6: Configuración del televisor

### 1 Seleccione “Sí” en la función “Control por HDMI”.



Pulse el botón HOME del mando a distancia del televisor y seleccione el menú del modo siguiente;

 Ajustes >  Entradas externas >

Configuración HDMI > Control por HDMI > Sí

### 2 Seleccione “Sistema de Audio” en el menú “Altavoces”.

Pulse el botón HOME del mando a distancia del televisor y seleccione el menú del modo siguiente;

 Ajustes >  Sonido > Altavoces > Sistema de Audio



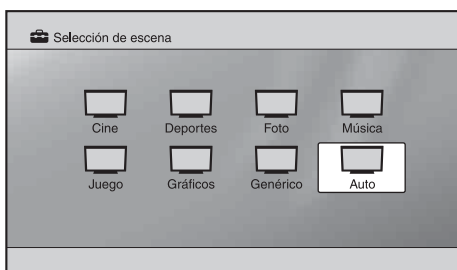
- Una vez finalizada la configuración del procedimiento 1 y 2, el indicador I (encendido) se ilumina en verde.



#### • Modo Selección de escena

Este soporte para TV se sincroniza automáticamente con la configuración de sonido del televisor y funciona en combinación con la función Selección de escena para que pueda elegir el sonido que prefiera según la escena seleccionada.

Si quiere cambiar el sonido, debe cambiar la configuración de sonido del televisor.



Para poder utilizar este modo, es importante realizar los siguientes ajustes en el televisor.

## Solución de problemas

### Sonido

No hay sonido:

- Compruebe la conexión del cable HDMI.
- Compruebe los ajustes de “Control por HDMI” y “Sistema de Audio” en el paso 6 (página 11).

Uso con auriculares:

- Cambie “Sistema de Audio” a “Altavoz de TV” en el ajuste “Altavoces”.

Utilización con sonido dual de la transmisión digital del televisor:

- En función de la transmisión, es posible que no pueda cambiar el sonido. Cambie el ajuste “Salida Óptica” del televisor de “Auto” a “PCM”.

Utilización con equipo externo para sonido dual:

- Si no puede cambiar el sonido, cambie el ajuste de salida de audio del equipo externo para activar PCM.

### Indicador

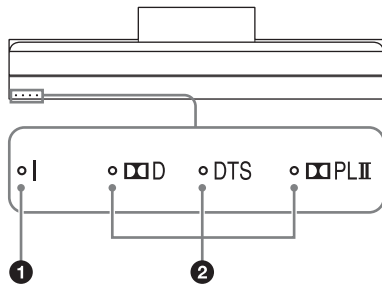
Aunque el televisor está encendido, el indicador I (encendido) del soporte para TV no se ilumina:

- Compruebe la conexión del cable de alimentación de CA.
- Consulte la documentación de asistencia técnica.

El indicador I (encendido) parpadea en rojo:

- El producto puede estar averiado. Compruebe el número de veces que parpadea el LED y póngase en contacto con un centro de servicio técnico de Sony.

# Indicador



## 1 Indicador I (encendido)

Se ilumina del modo siguiente:

Verde: el soporte para TV está encendido.  
 (“Sistema de Audio” se ha seleccionado en  
 “Altavoces”).

Apagado: el soporte para TV está en espera o  
 apagado.

## 2 Indicadores de formato de audio

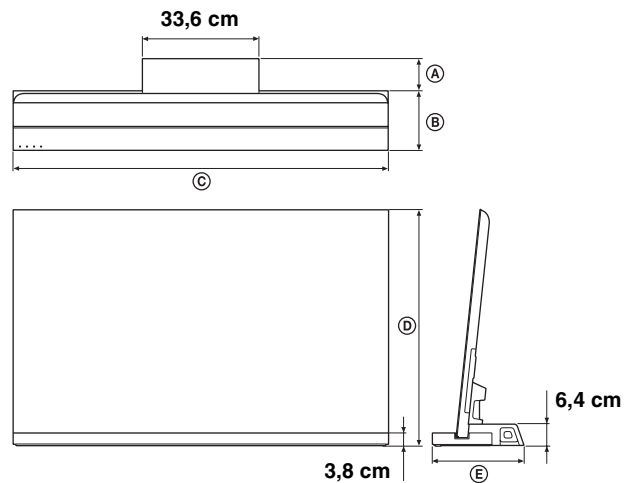
Se iluminan según el formato de audio que llega al  
 soporte para TV.

■D: Dolby Digital

DTS

■PLII: Dolby Pro Logic II

# Especificaciones



		SU-B550S	SU-B460S	SU-B400S
Dimensiones: cm	(A)	8,1	9,3	10
	(B)	20	17,2	16,1
	(C)	127,6	108,3	94,4
	(D)	79,3	68,4	60,6
	(E)	28,1	26,5	26,1
Peso del soporte:		5,8 kg	5,4 kg	5,1 kg

## Sección del amplificador

Potencia nominal de salida

Frontal: 10 W + 10 W, (por canal)  
 12 ohmios, 1 kHz, THD inferior al 1%  
 Altavoz potenciador de graves: 20 W,  
 6 ohmios, 100 Hz, THD inferior al 1%

## Sección HDMI

Conector Conector HDMI™  
 Entradas/ 640 × 480p@60 Hz  
 salidas de vídeo 720 × 480p@59,94/60 Hz  
 1280 × 720p@59,94/60 Hz  
 1920 × 1080i@59,94/60 Hz  
 1920 × 1080p@59,94/60 Hz  
 720 × 576p@50 Hz  
 1280 × 720p@50 Hz  
 1920 × 1080i@50 Hz  
 1920 × 1080p@50 Hz  
 1920 × 1080p@24 Hz  
 Deep Colour: 30 bits/36 bits

Entradas/	1280 × 720p@59,94/60 Hz
Salidas de vídeo (3D)	Compresión de fotogramas 1920 × 1080i@59,94/60 Hz Compresión de fotogramas 1920 × 1080i@59,94/60 Hz Lado a lado (mitad) 1920 × 1080p@59,94/60 Hz Lado a lado (mitad) 1280 × 720p@50 Hz Compresión de fotogramas 1920 × 1080i@50 Hz Compresión de fotogramas 1920 × 1080i@50 Hz Lado a lado (mitad) 1920 × 1080p@50 Hz Lado a lado (mitad) 1920 × 1080p@24 Hz Compresión de fotogramas Deep Colour: 30 bits/36 bits
Entradas de audio	PCM lineal de 7.1 canales/ Dolby Digital/DTS

## Altavoces

### Unidad de altavoz frontal

Sistema de altavoces	Bidireccional de 3 controladores, reflejo de graves
Unidad del altavoz	Central: tipo cónico de 30 × 82 mm, ×2 Tweeter: tipo abovedado de 14 mm

### Unidad del altavoz potenciador de graves

Sistema de altavoces	Altavoz potenciador de graves, reflejo de graves
Unidad de altavoces	Tipo cónico de 70 mm

## Especificaciones generales

Requisitos de alimentación	100 – 240 V, 50/60 Hz
Consumo de energía	Activado: 12 W Modo de espera: 0,7 W

- Consumo en modo de espera: 0,7 W
- No se utilizan retardantes de llama halogenados en determinadas placas impresas de cableado.
- Se logra más del 85 % de eficacia energética en el bloque del amplificador gracias al amplificador digital total S-Master.

Diseño y especificaciones sujetos a cambios sin previo aviso.

# Sicherheit

Danke, dass Sie sich für dieses Produkt entschieden haben.

Bei der Entwicklung von Sony-Produkten wird besonderer Wert auf den Faktor Sicherheit gelegt. Bei unsachgemäßer Verwendung kann es durch Feuer, einen elektrischen Schlag, das Umkippen oder das Herunterfallen des Produkts allerdings zu schweren Verletzungen kommen. Beachten Sie bitte unbedingt die Sicherheitsmaßnahmen, um solche Unfälle zu vermeiden.

Diese Gebrauchsanweisung erläutert die richtige Handhabung des Produkts und enthält wichtige Sicherheitshinweise, um Unfälle zu verhindern. Lesen Sie diese Anweisungen sorgfältig durch und verwenden Sie das Produkt sachgemäß. Bewahren Sie diese Gebrauchsanweisung zum späteren Nachschlagen sorgfältig auf.

Der Hersteller dieses Produktes ist Sony Corporation, 1-7-1 Konan Minato-ku Tokio, 108-0075 Japan. Bevollmächtigter für EMV und Produktsicherheit ist Sony Deutschland GmbH, Hedelfinger Strasse 61, 70327 Stuttgart, Deutschland. Für Kundendienst- oder Garantieangelegenheiten wenden Sie sich bitte an die in Kundendienstoder Garantiedokumenten genannten Adressen.

# VORSICHT

## Spezifizierte Produkte

Dieser Fernsehständer ist für die Verwendung mit den unten angegebenen Sony-Produkten konzipiert. Installieren Sie ausschließlich die angegebenen Produkte.

Die folgenden Produkte unterliegen unangekündigten Änderungen, sind möglicherweise nicht mehr vorrätig oder Auslaufmodelle.

Außerdem sind einige Modelle nur in bestimmten Regionen erhältlich.

	LCD-Farbfernsehgerät
SU-B550S	KDL-55NX81□*
SU-B460S	KDL-46NX71□*
SU-B400S	KDL-40NX71□*

(Stand: August 2010)

\* „□“ steht für Zahlen und/oder Zeichen, die im eigentlichen Modellnamen für das jeweilige Modell eindeutig sind.

## Position des Modellaufklebers

Der Aufkleber mit der Modellnr. befindet sich auf der Rückseite des Fernsehständers.

# Entsorgen des Fernsehständers



Entsorgung von gebrauchten elektrischen und elektronischen Geräten (anzuwenden in den Ländern der Europäischen Union und anderen europäischen Ländern mit einem separaten Sammelsystem für diese Geräte)

Das Symbol auf dem Produkt oder seiner Verpackung weist darauf hin, dass dieses Produkt nicht als normaler Haushaltsabfall zu behandeln ist, sondern an einer Annahmestelle für das Recycling von elektrischen und elektronischen Geräten abgegeben werden muss. Durch Ihren Beitrag zum korrekten Entsorgen dieses Produkts schützen Sie die Umwelt und die Gesundheit Ihrer Mitmenschen. Umwelt und Gesundheit werden durch falsches Entsorgen gefährdet. Materialrecycling hilft, den Verbrauch von Rohstoffen zu verringern. Weitere Informationen zum Recycling dieses Produkts erhalten Sie bei Ihrer Gemeindeverwaltung, den kommunalen Entsorgungsbetrieben oder dem Geschäft, in dem Sie das Produkt gekauft haben.

# ACHTUNG

Bitte beachten Sie unbedingt die folgenden Sicherheitsmaßnahmen! Andernfalls kann es durch Feuer, einen elektrischen Schlag oder das Umkippen des Produkts zu schweren oder gar tödlichen Verletzungen kommen.

## Ergreifen Sie unbedingt geeignete Maßnahmen, um ein Umkippen des Fernsehständers zu verhindern.

Andernfalls kann das Fernsehgerät umkippen und Verletzungen verursachen.

Verankern Sie den Fernsehständer an einer Wand usw., damit er nicht umkippen kann.

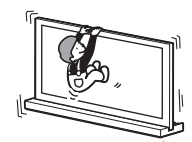
## Stellen Sie den Fernsehständer unbedingt auf einer stabilen Fläche auf.

Wenn Sie den Fernsehständer auf einer instabilen Fläche aufstellen, kann er umkippen oder herunterfallen. Dabei besteht die Gefahr von Verletzungen oder Sachschäden.



## Lehnen und hängen Sie sich nicht an das am Fernsehständer montierte Fernsehgerät.

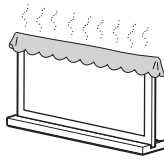
Andernfalls kann der Fernsehständer umkippen oder das Fernsehgerät kann herunterfallen. Dabei besteht die Gefahr schwerer oder gar tödlicher Verletzungen.



## Blockieren Sie nicht die Lüftungsöffnungen am Fernsehgerät.

Die Lüftungsöffnungen im Fernsehgerät sind für einen zuverlässigen Betrieb des Fernsehgeräts unerlässlich und dienen zum Verhindern einer Überhitzung des Geräts.

- Decken Sie die Lüftungsöffnungen auf keinen Fall mit einem Tuch oder anderem Material ab.
- Verhindern Sie unbedingt, dass Flüssigkeiten oder Fremdkörper in die Lüftungsöffnungen gelangen.



## Stellen Sie keine Gefäße mit Flüssigkeiten darin, wie z. B. Vasen oder Topfpflanzen, auf das Fernsehgerät.

Verwenden Sie ein mit Netzstrom betriebenes Fernsehgerät nicht in der Nähe von Wasser, wie z. B. in der Nähe einer Badewanne, eines Wasch- oder Spülbeckens, eines Wäschezubehörs, in sehr feuchten Kellerräumen oder in der Nähe eines Swimming-Pools usw.

Stellen Sie das Fernsehgerät nicht an Orten auf, an denen es extremen Temperaturen ausgesetzt ist, wie z. B. in direktem Sonnenlicht, in der Nähe einer Heizung oder eines Warmluftauslasses.

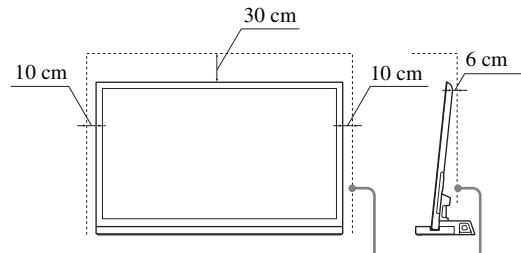
Andernfalls kann es zu einer Überhitzung des Fernsehgeräts und in Folge zu einer Verformung des Gehäuses und/oder einer Fehlfunktion des Fernsehgeräts kommen.

Stellen Sie das Fernsehgerät nicht an einem Ort auf, an dem es dem Luftstrom einer Klimaanlage ausgesetzt ist.

Andernfalls kann sich im Gerät Feuchtigkeit niederschlagen und es kann zu einer Fehlfunktion des Fernsehgeräts kommen.

## Lassen Sie um das Fernsehgerät ausreichend Platz frei, um eine ausreichende Luftzirkulation zu gewährleisten.

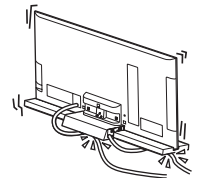
Lassen Sie wie unten dargestellt ausreichend Platz um das Fernsehgerät.



Lassen Sie mindestens so viel Platz um das Gerät.

## Netzkabel

- Verwenden Sie ausschließlich mitgelieferte Netzkabel von Sony und keine von anderen Herstellern.
- Achten Sie darauf, das Netzkabel und das Verbindungskabel bei der Installation des Fernsehgeräts auf dem Fernsehständer nicht einzuklemmen. Wenn das Netzkabel oder das Verbindungskabel beschädigt wird, besteht Feuergefahr oder die Gefahr eines elektrischen Schlags.
- Treten Sie nicht auf das Netzkabel oder das Verbindungskabel, wenn Sie den Fernsehständer tragen. Das Netzkabel oder das Verbindungskabel könnte beschädigt werden. In diesem Fall besteht Feuergefahr oder die Gefahr eines elektrischen Schlags.
- Wenn Sie über das Netzkabel oder das Verbindungskabel stolpern, kann der Fernsehständer umkippen und Verletzungen verursachen.
- Trennen Sie das Netzkabel von der Netzsteckdose, um den Fernsehständer vollständig von der Stromversorgung zu trennen.



## HINWEIS ZUM NETZTEIL

### Warnung

Um Feuergefahr und die Gefahr eines elektrischen Schlags zu verringern, setzen Sie das Gerät weder Regen noch sonstiger Feuchtigkeit aus.

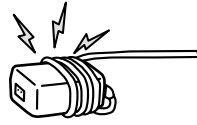
Um Feuergefahr und die Gefahr eines elektrischen Schlags zu vermeiden, stellen Sie keine Gefäße mit Flüssigkeiten darin, wie z. B. Vasen, auf das Gerät.

Stellen Sie das Gerät nicht in einem geschlossenen Bücherregal, einem Einbauschränk u. ä. auf, wo keine ausreichende Belüftung gegeben ist.

- Die Netzsteckdose muss sich in der Nähe des Geräts befinden und leicht zugänglich sein.
- Verwenden Sie bitte ausschließlich das mitgelieferte Netzteil und Netzkabel.
- Benutzen Sie kein anderes Netzteil. Andernfalls kann es zu Fehlfunktionen kommen.

(Fortsetzung)

- Schließen Sie das Netzteil an eine leicht zugängliche Netzsteckdose an.
- Wickeln Sie das Netzkabel nicht um das Netzteil. Die Kabelader kann abgeknickt werden und/oder es kann am Fernsehgerät zu Fehlfunktionen kommen.
- Berühren Sie das Netzteil nicht mit nassen Händen.
- Sollten am Netzteil irgendwelche Störungen auftreten, trennen Sie es sofort von der Netzsteckdose.
- Das Gerät bleibt auch in ausgeschaltetem Zustand mit dem Stromnetz verbunden, solange das Netzkabel mit der Netzsteckdose verbunden ist.



## VORSICHT

Wenn Sie die folgenden Sicherheitsmaßnahmen nicht beachten, besteht die Gefahr von Verletzungen oder Sachschäden.

### Montieren Sie auf dem Fernsehständer ausschließlich die angegebenen Geräte.

Dieser Fernsehständer ist ausschließlich für die angegebenen Geräte konzipiert. Wenn Sie andere als die angegebenen Geräte darauf montieren, kann der Fernsehständer umkippen oder bersten, und es besteht Verletzungsgefahr. Die Abbildungen in dieser Gebrauchsanweisung zeigen, sofern nicht anders angegeben, das Modell KDL-46NX71□.

### Befestigen Sie das Fernsehgerät unbedingt sicher am Fernsehständer.

Befestigen Sie das Fernsehgerät mit den mitgelieferten Schrauben am Fernsehständer. Wenn das Fernsehgerät nicht sicher montiert wird, kann es herunterfallen, oder der Fernsehständer kann umkippen und Verletzungen verursachen.

### Hinweise zur Installation

Stellen Sie den Fernsehständer nicht schräg oder geneigt auf. Befolgen Sie die folgenden Sicherheitsmaßnahmen, um dies zu vermeiden.

Wenn Sie den Fernsehständer auf einer weichen Oberfläche wie z. B. einer Matte oder einem Teppich aufstellen, legen Sie eine feste Platte unter den Fernsehständer.

- Stellen Sie den Fernsehständer nicht in der Nähe von Heizungen oder an Orten auf, an denen er direktem Sonnenlicht ausgesetzt ist.
- Stellen Sie den Fernsehständer nicht an einem sehr warmen oder feuchten Ort oder im Freien auf.

## Hinweis zur Verwendung

### Reinigung

Um den Fernsehständer sauber zu halten, wischen Sie ihn gelegentlich mit einem trockenen weichen Tuch ab. Hartnäckige Verschmutzungen können Sie mit einem Tuch entfernen, das Sie leicht mit einer milden Seifenlauge angefeuchtet haben. Wischen Sie den Bereich anschließend unbedingt mit einem weichen, trockenen Tuch ab. Verwenden Sie keine Chemikalien wie Verdüner oder Benzin. Diese könnten die Oberfläche des Fernsehständers angreifen.

### Die Installationsarbeiten müssen unbedingt von mindestens zwei Personen ausgeführt werden.

Zur Installation des Fernsehgeräts auf dem Fernsehständer sind mindestens zwei Personen erforderlich. Wenn Sie versuchen, das Fernsehgerät allein am Fernsehständer zu montieren, besteht Unfallgefahr und Sie können sich verletzen.

### Modifizieren Sie den Fernsehständer nicht.

Er könnte umkippen und Verletzungen verursachen.

### Gehen Sie beim Installieren des Fernsehgeräts unbedingt genau nach den Anweisungen vor.

Ziehen Sie die Schrauben fest an. Wenn das Fernsehgerät nicht sicher montiert wird, kann es herunterfallen und Verletzungen verursachen.

### Achten Sie darauf, sich beim Zusammenbauen nicht die Hände oder Finger zu verletzen.

- Halten Sie den Fernsehständer zum Umstellen nicht am Ansatzstück fest.
- Gehen Sie bei der Installation des Fernsehgeräts vorsichtig vor, damit Sie sich nicht die Finger oder Hände einklemmen.

## SICHERHEITSMASSNAHMEN

### Stromquellen

- Wenn Sie den Fernsehständer längere Zeit nicht benutzen wollen, trennen Sie ihn unbedingt von der Netzsteckdose. Ziehen Sie zum Herausziehen des Netzkabels immer am Stecker, niemals am Kabel.
- Das Netzkabel darf nur von einem qualifizierten Kundendienst ausgetauscht werden.



## Betrieb

Schalten Sie den Fernsehständer unbedingt aus und trennen Sie ihn von der Netzsteckdose, bevor Sie andere Komponenten anschließen.

---

## Copyrights

Dieser Fernsehständer ist mit Dolby\* Digital, Pro Logic Surround und dem DTS\*\* Digital Surround-System ausgestattet.

\* Hergestellt unter Lizenz von Dolby Laboratories. Dolby, Pro Logic und das Doppel-D-Symbol sind Markenzeichen von Dolby Laboratories.

\*\* Hergestellt in Lizenz unter folgenden US-Patenten: 5.451.942; 5.956.674; 5.974.380; 5.978.762; 6.487.535 sowie weiteren in den USA und weltweit beantragten oder bereits anerkannten Patenten. DTS und das entsprechende Symbol sind eingetragene Markenzeichen, DTS Digital Surround und die DTS-Logos sind Markenzeichen der DTS, Inc. Das Produkt enthält Software. © DTS, Inc. Alle Rechte vorbehalten.

Dieser Fernsehständer ist mit der HDMI™-Technologie (High-Definition Multimedia Interface) ausgestattet.

HDMI, das HDMI-Logo und High-Definition Multimedia Interface sind Markenzeichen oder eingetragene Markenzeichen von HDMI Licensing LLC in den USA und anderen Ländern.

„BRAVIA“ ist ein Markenzeichen der Sony Corporation.



### Hinweis zur Entnahme des Fernsehständers aus dem Karton

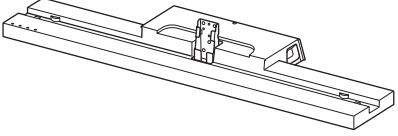

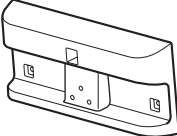
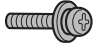

Heben Sie den Fernsehständer vorsichtig an und handhaben Sie ihn umsichtig.

### Legen Sie vor der Montage des Fernsehgeräts den Aufstellort fest und legen Sie den Fernsehständer auf den Boden.

Da das Fernsehgerät schwer ist, sollten Sie zunächst den Aufstellort festlegen und den Fernsehständer dann an dieser Stelle zusammenbauen.

## Schritt 1: Überprüfen der mitgelieferten Teile

In der Bedienungsanleitung Ihres Fernsehgeräts finden Sie Angaben, wie Sie den Tischständer vom Fernsehgerät entfernen.

Bezeichnung	Menge
Ständer 	1
Hintere Abdeckung* 	2
Verbindungsstück 	1
Schraube für Ansatzstück des Fernsehständers (PSW5 × 16) schwarz (× 3) Schraube für Verbindungsstück (PSW5 × 16), schwarz (× 3) 	6
Netzteil	
Netzkabel	
High-Speed-HDMI-Kabel	1
Kabelhalter 	1
Gebrauchsanweisung	1
Garantiekarte	

\* Nur beim Modell SU-B550S.

### ACHTUNG

Wenn das Netzkabel unter oder zwischen irgendwelchen Teilen eingeklemmt wird, kann es zu einem Kurzschluss kommen oder es besteht die Gefahr eines elektrischen Schlags. Wenn Sie über das Netzkabel oder das Verbindungskabel stolpern, kann der Fernsehständer umkippen und Verletzungen verursachen.

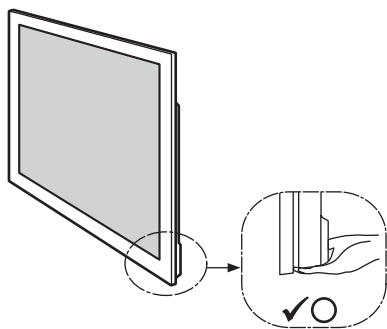
## Schritt 2: Montieren des Fernsehgeräts

### Vor der Montage

- Legen Sie vor dem Zusammenbau einen Kreuzschlitzschraubendreher bereit, der in die Schrauben passt.
- Wenn Sie einen elektrischen Schraubendreher verwenden, stellen Sie ein Drehmoment von etwa 1,5 N·m {15 kgf·cm} ein.

## 1 Heben Sie das Fernsehgerät am angegebenen Punkt an, wenn Sie es bewegen.

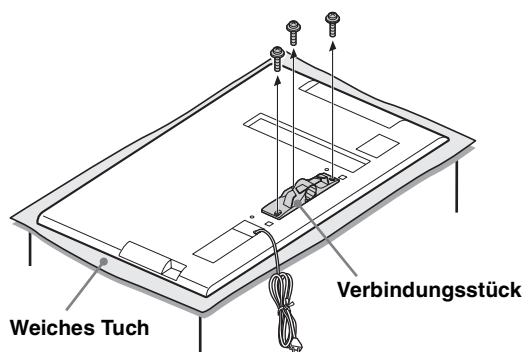
Heben Sie das Fernsehgerät wie in der Abbildung gezeigt an:



- Heben Sie das Fernsehgerät zum Transport per Hand wie oben gezeigt an. Setzen Sie den LCD-Bildschirm und den Rahmen um den Bildschirm keinen Beanspruchungen aus.

## 2 Entfernen Sie die Schrauben vom Verbindungsstück an der Rückseite des Fernsehgeräts.

Schieben Sie das Verbindungsstück zum Abnehmen nach unten.



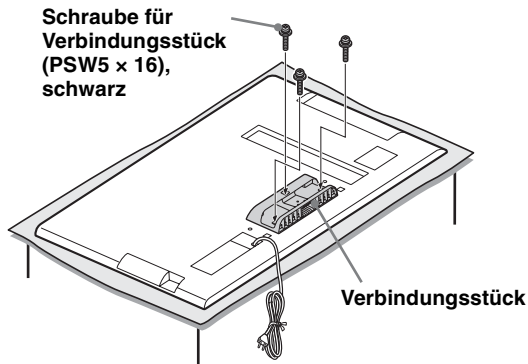
- Heben Sie die entfernten Schrauben unbedingt auf.
- Legen Sie das Gerät mit dem Bildschirm nach unten auf eine stabile Arbeitsfläche, die größer ist als der Bildschirm, um den Tischständer vom Bildschirm abzunehmen.
- Legen Sie unbedingt ein weiches Tuch auf die Arbeitsfläche, um Schäden an der Oberfläche des LCD-Bildschirms zu vermeiden.

### VORSICHT

- Wenn die Oberfläche des Bildschirms zu starkem Druck oder Stößen ausgesetzt wird, kann der LCD-Bildschirm Sprünge bekommen oder anderweitig beschädigt werden.
- Legen Sie das Gerät mit dem Bildschirm nach unten auf eine stabile und ebene Oberfläche, so dass der Tischständer über die Kante der Unterlage hinausragt. Wenn Sie den Bildschirm und den Fuß des Tischständers auf derselben Oberfläche ablegen, liegt das Fernsehgerät instabil und kann beschädigt werden.

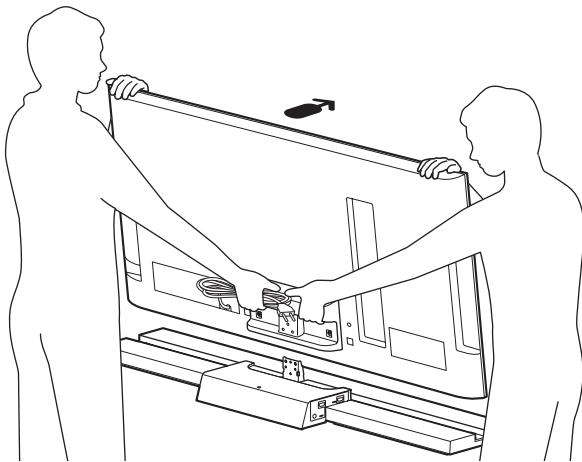
### 3 Bringen Sie das mitgelieferte Verbindungsstück mit den drei schwarzen Schrauben (PSW5 x 16) (mitgeliefert) an der Rückseite des Fernsehgeräts an.

Schieben Sie das mitgelieferte Verbindungsstück zum Anbringen nach oben.

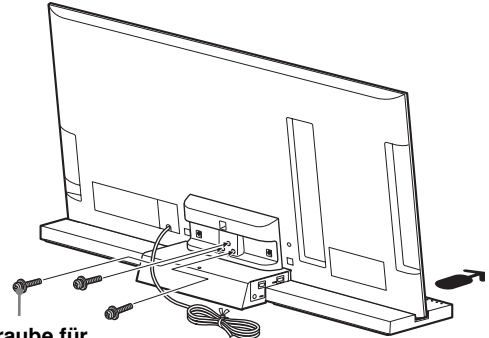


### 4 Installieren Sie das Fernsehgerät am Fernsehständer.

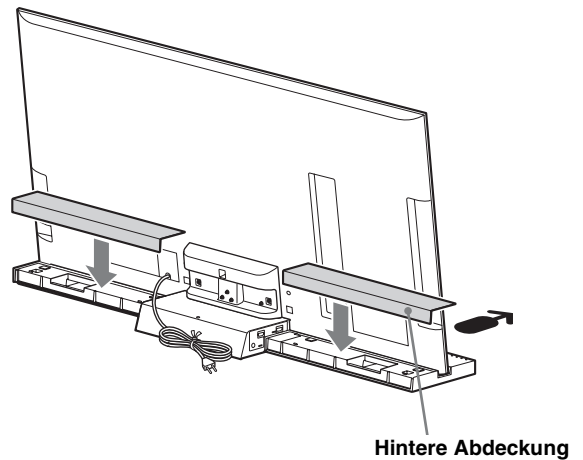
Das Fernsehgerät wird durch Einsetzen in die Vertiefung des Fernsehständers installiert.



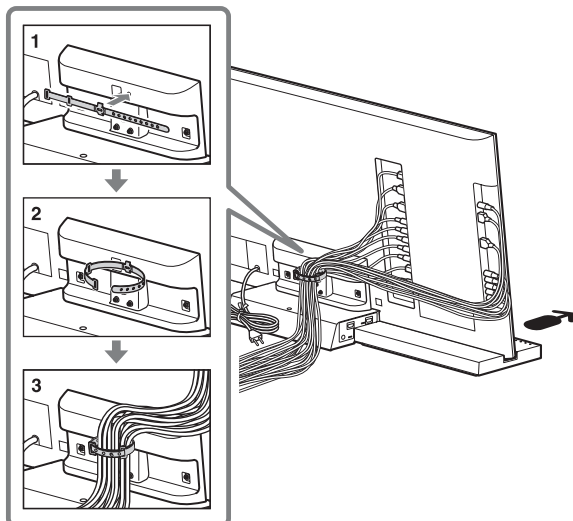
### 5 Befestigen Sie das Fernsehgerät mit den drei schwarzen Schrauben für das Ansatzstück des Fernsehständers (PSW5 x 16) (mitgeliefert) am Fernsehständer.



### 6 Bringen Sie die hintere Abdeckung am Fernsehständer an. (Nur beim Modell SU-B550S.)



## 7 Bündeln der Kabel.

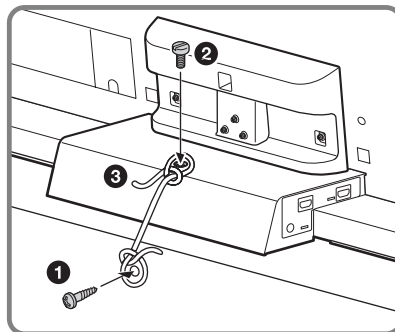
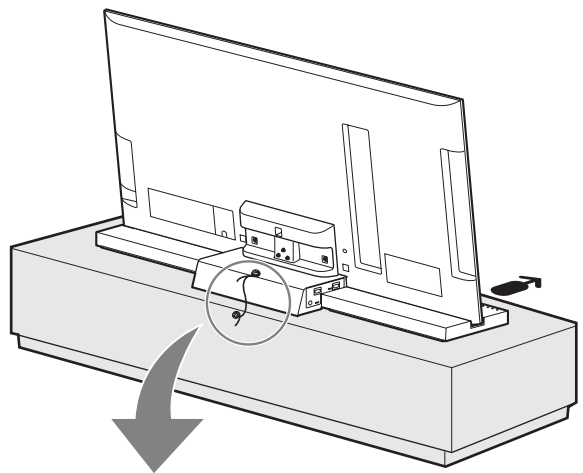


- Bündeln Sie das Netzkabel nicht zusammen mit anderen Kabeln.

## Schritt 3: Sicherheitsmaßnahmen, um ein Kippen des Geräts zu verhindern

### ACHTUNG

Ergreifen Sie unbedingt geeignete Maßnahmen, um ein Umkippen des Fernsehständers und damit die Gefahr von Verletzungen und Sachschäden zu verhindern.



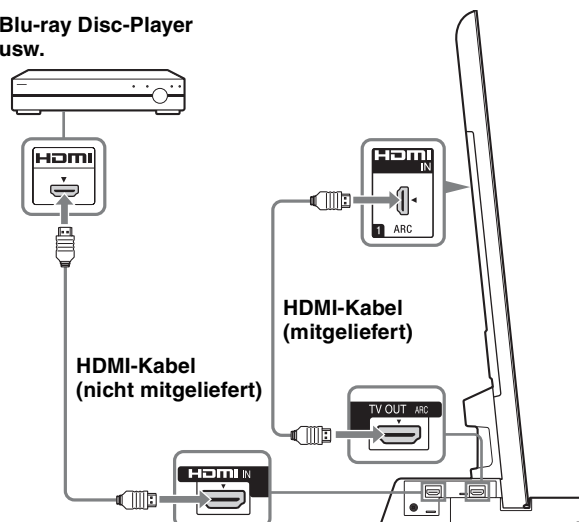
- 1 Schrauben Sie eine Holzschraube (4 mm Durchmesser, nicht mitgeliefert) in die Platte.
- 2 Schrauben Sie eine Maschinenschraube (M4 × 16, nicht mitgeliefert) in das Schraubenloch des Fernsehständers.
- 3 Verbinden Sie die Holzschraube und die Maschinenschraube mit einem starken Seil (nicht mitgeliefert).

## Schritt 4: Anschließen von Fernsehgerät und Player

### Verbinden Sie ein Fernsehgerät mit HDMI-Buchse über ein HDMI- Kabel mit dem Fernsehständer.

Wenn Sie Komponenten, die mit Sony „BRAVIA“ Sync kompatibel sind, über HDMI-Kabel anschließen, kann die Bedienung vereinfacht werden, indem Sie die Steuerung für HDMI für das Fernsehgerät einrichten.

Blu-ray Disc-Player  
usw.



- Der Fernsehständer ist mit der ARC-Funktion (Audio Return Channel) kompatibel. Wenn Sie den Fernsehständer über ein HDMI-Kabel an die HDMI-Buchse eines ARC-kompatiblen Fernsehgeräts anschließen, müssen Sie das Fernsehgerät nicht über das optische Digitalkabel mit dem Fernsehständer verbinden.
- Sie finden die Buchstaben „ARC“ neben der HDMI-Buchse des Fernsehgeräts, wenn es mit der ARC-Funktion kompatibel ist. Wenn die HDMI-Eingangsbuchse nicht mit der ARC-Funktion kompatibel ist, können Sie die ARC-Funktion nicht nutzen, auch wenn Sie ein HDMI-Kabel an die Buchse anschließen.
- Die ARC-Funktion ist nur verfügbar, wenn die Steuerung für HDMI eingeschaltet ist.



- Auch bei ausgeschaltetem Fernsehständer (aktiver Bereitschaftsmodus) werden HDMI-Signale von der angeschlossenen Komponente über die HDMI-Verbindung an das Fernsehgerät übertragen. Daher können Bild und Ton der Komponente auch in diesem Fall am Fernsehgerät wiedergegeben werden.

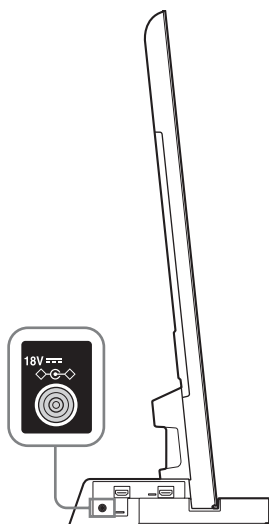
### Hinweise zu HDMI-Verbindungen

- Verwenden Sie ein High-Speed-HDMI-Kabel. Wenn Sie ein Standard-HDMI-Kabel verwenden, werden 1080p-, Deep Colour- oder 3D-Bilder möglicherweise nicht ordnungsgemäß wiedergegeben.
- Es empfiehlt sich, ein zertifiziertes HDMI-Kabel zu verwenden.

- Überprüfen Sie die Konfiguration der angeschlossenen Komponente, wenn das Bild einer über HDMI-Kabel angeschlossenen Komponente schlecht ist oder kein Ton ausgegeben wird.
- Je nach angeschlossener Komponente sind die über eine HDMI-Buchse übertragenen Audiosignale (Abtastfrequenz, Bitlänge usw.) möglicherweise eingeschränkt.
- Es kann zu Tonaussetzern kommen, wenn die Abtastfrequenz oder die Anzahl der Kanäle der von der Wiedergabekomponente ausgegebenen Audiosignale wechselt.
- Wenn die angeschlossene Komponente die Urheberrechtsschutztechnologie HDCP nicht unterstützt, sind Bild und/oder Ton von der Buchse HDMI TV OUT möglicherweise verzerrt oder werden gar nicht ausgegeben.  
Überprüfen Sie in diesem Fall die Spezifikationen der angeschlossenen Komponente.
- Die Verwendung eines HDMI-DVI-Adapterkabels ist nicht empfehlenswert.
- Dieses System unterstützt Deep Colour-, „x.v.Colour“- und 3D-Übertragungen.

## Schritt 5: Anschließen des Netzkabels

Schließen Sie das Fernsehgerät und alle anderen Komponenten an den Fernsehständer an, bevor Sie das Netzkabel des Fernsehständers an eine Netzsteckdose anschließen.



- Schließen Sie den Fernsehständer an eine leicht zugängliche Netzsteckdose an. Sollten an dem Fernsehständer irgendwelche Störungen auftreten, ziehen Sie sofort den Netzstecker aus der Netzsteckdose.

## Schritt 6: Vornehmen der Einstellungen für das Fernsehgerät

### 1 Setzen Sie die Funktion „Steuerung für HDMI“ auf „Ein“.

Drücken Sie die Taste HOME auf der Fernbedienung des Fernsehgeräts und wählen Sie folgende Menüoptionen:

Einstellungen > Externe Eingänge > HDMI-Grundeinstellungen > Steuerung für HDMI > Ein

### 2 Setzen Sie die Option „Lautsprecher“ auf „Audiosystem“.

Drücken Sie die Taste HOME auf der Fernbedienung des Fernsehgeräts und wählen Sie folgende Menüoptionen:

Einstellungen > Ton > Lautsprecher > Audiosystem



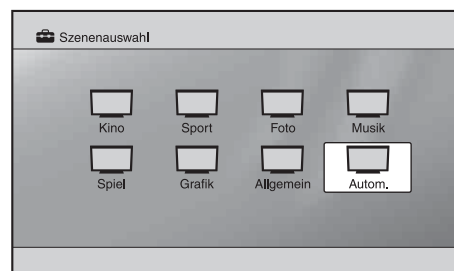
- Wenn Sie die Einstellungen unter **1** und **2** vorgenommen haben, leuchtet die Anzeige **I** (Ein) grün.



### • Szenenauswahlmodus

Dieser Fernsehständer wird automatisch mit den Klangeinstellungen des Fernsehgeräts synchronisiert und unterstützt die Szenenauswahlfunktion, so dass Sie für ausgewählte Szenen den gewünschten Klang auswählen können.

Ändern Sie die Klangeinstellungen am Fernsehgerät, wenn Sie den Klang ändern möchten.



Nehmen Sie am Fernsehgerät die folgenden Einstellungen vor, bevor Sie diesen Modus verwenden.

# Störungsbehebung

## Ton

Es ist kein Ton zu hören:

- Überprüfen Sie, ob das HDMI-Kabel richtig angeschlossen ist.
- Überprüfen Sie die Einstellung von „Steuerung für HDMI“ und „Audiosystem“ in Schritt 6 (Seite 11).

Gebrauch von Kopfhörern:

- Setzen Sie die Option „Lautsprecher“ nicht auf „Audiosystem“, sondern auf „TV-Lautsprecher“.

Gebrauch von Zweiton bei digitalen

Fernsehsendungen:

- Je nach Sendung lässt sich der Ton nicht umschalten. Ändern Sie die Einstellung für „Optischer Ausgang“ am Fernsehgerät von „Autom.“ in „PCM“.

Gebrauch eines externen Geräts für Zweiton:

- Wenn sich der Ton nicht umschalten lässt, stellen Sie die Audioausgabe am externen auf PCM ein.

## Anzeige

Das Fernsehgerät ist eingeschaltet, aber die Anzeige

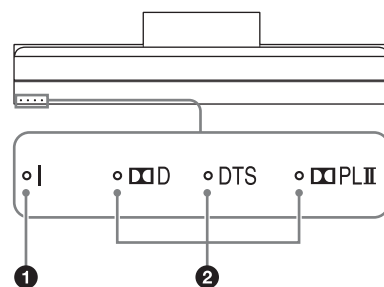
**I** (Ein) am Fernsehständer leuchtet nicht auf:

- Überprüfen Sie, ob das Netzkabel usw. richtig angeschlossen ist.
- Wenden Sie sich an den Kundendienst.

Die Anzeige **I** (Ein) blinkt rot:

- An dem Produkt ist möglicherweise eine Fehlfunktion aufgetreten. Notieren Sie, wie oft die LED blinkt, und wenden Sie sich an den Sony-Kundendienst.

# Anzeigen



## 1 Anzeige I (Ein)

Leuchtet folgendermaßen:

Grün: Der Fernsehständer ist eingeschaltet.  
(„Lautsprecher“ ist auf „Audiosystem“  
eingestellt.)

Aus: Der Fernsehständer befindet sich im  
Bereitschaftsmodus oder ist ausgeschaltet.

## 2 Audioformatanzeigen

Leuchten je nach dem Audioformat der Signale, die  
am Fernsehständer eingespeist werden.

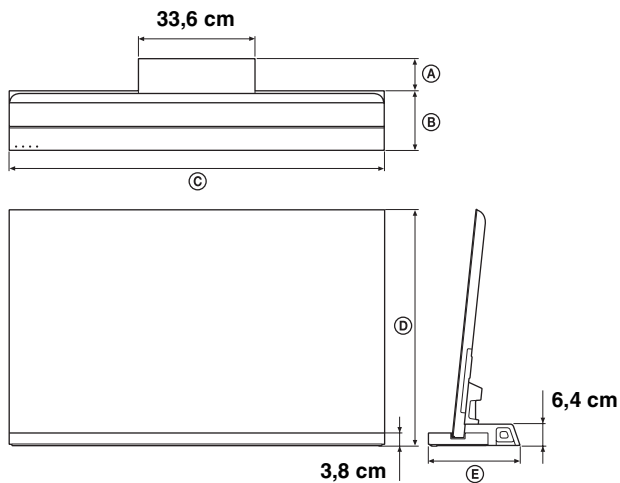
**D**: Dolby Digital

**DTS**

**PLII**: Dolby Pro Logic II



# Technische Daten



		SU-B550S	SU-B460S	SU-B400S
Abmessungen: cm	Ⓐ	8,1	9,3	10
	Ⓑ	20	17,2	16,1
	Ⓒ	127,6	108,3	94,4
	Ⓓ	79,3	68,4	60,6
	Ⓔ	28,1	26,5	26,1
Ständergewicht:		5,8 kg	5,4 kg	5,1 kg

## Verstärker

Nennleistungsabgabe

Vorderer Lautsprecher: 10 W +  
10 W (pro Kanal), 12 Ohm, 1 kHz,  
THD weniger als 1 %  
Tiefsttonlautsprecher: 20 W, 6 Ohm,  
100 Hz, THD weniger als 1 %

## HDMI-System

Anschluss  
Videoeingänge/  
-ausgänge

HDMI™-Anschluss  
640 × 480p@60 Hz  
720 × 480p@59,94/60 Hz  
1280 × 720p@59,94/60 Hz  
1920 × 1080i@59,94/60 Hz  
1920 × 1080p@59,94/60 Hz  
720 × 576p@50 Hz  
1280 × 720p@50 Hz  
1920 × 1080i@50 Hz  
1920 × 1080p@50 Hz  
1920 × 1080p@24 Hz  
Deep Colour: 30 Bit/36 Bit

Videoeingänge/  
-ausgänge (3D)

1280 × 720p@59,94/60 Hz  
Bilder für linkes und rechtes Auge in  
einem Vollbild  
1920 × 1080i@59,94/60 Hz  
Bilder für linkes und rechtes Auge in  
einem Vollbild  
1920 × 1080i@59,94/60 Hz  
Stereobilder nebeneinander in einem  
Videobild (halb)  
1920 × 1080p@59,94/60 Hz  
Stereobilder nebeneinander in einem  
Videobild (halb)  
1280 × 720p@50 Hz  
Bilder für linkes und rechtes Auge in  
einem Vollbild  
1920 × 1080i@50 Hz  
Bilder für linkes und rechtes Auge in  
einem Vollbild  
1920 × 1080i@50 Hz  
Stereobilder nebeneinander in einem  
Videobild (halb)  
1920 × 1080p@50 Hz  
Stereobilder nebeneinander in einem  
Videobild (halb)  
1920 × 1080p@24 Hz  
Bilder für linkes und rechtes Auge in  
einem Vollbild  
Deep Colour: 30 Bit/36 Bit  
Lineares PCM mit 7.1 Kanälen/  
Dolby Digital/DTS

Audioeingänge

## Lautsprecher

### Vordere Lautsprechereinheit

Lautsprechersystem 2-Wege-Bassreflexsystem, 3 Treiber  
Lautsprechereinheit Tieftöner: 30 × 82 mm (Konus) × 2  
Hochtöner: 14 mm (Kalotte)

### Tiefsttonlautsprecher-Einheit

Lautsprechersystem Tiefsttonlautsprecher,  
Bassreflexsystem  
Lautsprechereinheit 70 mm (Konus)

## Allgemeines

Betriebsspannung 100 – 240 V, 50/60 Hz  
Energieverbrauch  
Eingeschaltet: 12 W  
Bereitschaft: 0,7 W

- Energieverbrauch im Bereitschaftsmodus: 0,7 W
- In bestimmten Leiterplatten werden keine halogenierten Flammenschutzmittel verwendet.
- Der Verstärkerblock erzielt dank des digitalen S-Master-Verstärkers eine Leistungseffizienz von über 85 %.

Änderungen, die dem technischen Fortschritt dienen, bleiben vorbehalten.

## Veiligheid

Dank u voor de aankoop van dit product. Bij het ontwerpen van producten houdt Sony rekening met de veiligheid. Onjuist gebruik kan ernstige letsels veroorzaken als gevolg van brand, elektrische schokken, omvallen van het product of vallen van het product. Houd rekening met de veiligheidsmaatregelen om dergelijke ongelukken te voorkomen.

In deze gebruiksaanwijzing wordt beschreven hoe het product moet worden gebruikt en worden belangrijke voorzorgsmaatregelen gegeven die zijn vereist om ongelukken te voorkomen. Lees deze gebruiksaanwijzing aandachtig door en gebruik het product op de juiste manier. Bewaar deze gebruiksaanwijzing voor toekomstig gebruik.

De fabrikant van dit product is Sony Corporation, 1-7-1 Konan Minato-ku Tokyo, 108-0075 Japan. De geautoriseerde vertegenwoordiging voor EMC en product veiligheid is Sony Deutschland GmbH, Hedelfinger Strasse 61, 70327 Stuttgart, Duitsland. Voor service- of garantie zaken verwijzen wij u graag naar de adressen in de afzonderlijke service/garantie documenten.

## LET OP

### Opgegeven producten

Deze standaard is ontworpen voor gebruik met de hieronder opgegeven Sony-producten. Installeer geen andere producten dan de opgegeven producten.

De volgende producten zijn onderhevig aan wijzigingen zonder voorafgaande kennisgeving, zijn mogelijk niet meer voorradig of worden niet meer gemaakt. Tevens worden sommige modellen alleen in bepaalde regio's verkocht.

	LCD-kleuren-tv
SU-B550S	KDL-55NX81□*
SU-B460S	KDL-46NX71□*
SU-B400S	KDL-40NX71□*

(Vanaf augustus 2010)

\* In de eigenlijke modelnamen staat de "□" voor cijfers en tekens die eigen zijn aan een bepaald model.

### Locatie van het identificatielabel

Het label met het modelnummer vindt u terug op de achterzijde van de tv-standaard.

## Wegwerpen van de tv-standaard



Verwijdering van oude elektrische en elektronische apparaten (toepasbaar in de Europese Unie en andere Europese landen met gescheiden afvalsystemen)

Het symbool op het product of op de verpakking wijst erop dat dit product niet als huishoudelijk afval mag worden behandeld. Het moet echter naar een plaats worden gebracht waar elektrische en elektronische apparatuur wordt gerecycled. Als u ervoor zorgt dat dit product op de correcte manier wordt verwerkt, voorkomt u voor mens en milieu negatieve gevolgen die zich zouden kunnen voordoen in geval van verkeerde afvalbehandeling. De recycling van materialen draagt bij tot het vrijwaren van natuurlijke bronnen. Voor meer details in verband met het recyclen van dit product, neemt u contact op met de gemeentelijke instanties, het bedrijf of de dienst belast met de verwijdering van huishoudafval of de winkel waar u het product hebt gekocht.

## WAARSCHUWING

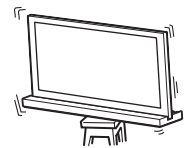
Als er geen rekening wordt gehouden met de volgende voorzorgsmaatregelen, kan dit leiden tot ernstig letsel of de dood als gevolg van brand, elektrische schokken of omvallen van het product.

### Neem maatregelen om te voorkomen dat de tv-standaard omvalt.

Als u dit niet doet, kan de tv omvallen en letsel veroorzaken. Veranker de tv-standaard en het rek enz. om omvallen te voorkomen.

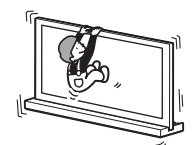
### Installeer de tv-standaard op een stabiel oppervlak.

Als u de tv-standaard installeert op een onstabiel oppervlak, kan de standaard het evenwicht verliezen en vallen of omvallen. Dat kan letsel of materiële schade veroorzaken.



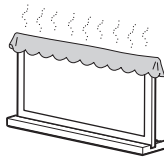
### Leun niet op de tv of hang niet aan de tv terwijl deze op de tv-standaard geplaatst is.

De tv-standaard kan omvallen of de tv kan vallen. Dat kan ernstige letsels of de dood tot gevolg hebben.



## Dek de ventilatieopeningen van de tv niet af.

De ventilatieopeningen in de tv zijn nodig om de betrouwbare werking van de tv te verzekeren en de tv tegen oververhitting te beschermen.



- Blokkeer of bedek de ventilatieopeningen niet met stukken stof of andere materialen.
- Zorg dat er nooit vloeistoffen of vaste voorwerpen in de ventilatieopeningen vallen.

## Plaats op de tv geen voorwerpen die met vloeistof gevuld zijn, zoals een vaas of een potplant.

## Gebruik een tv die op het stroomnet is aangesloten niet in de nabijheid van water; bijvoorbeeld in de nabijheid van een badkuip, wasbak, aanrecht, waskuip, natte kelder, zwembad, enzovoort.

## Installeer de tv niet op plaatsen die onderhevig zijn aan extreme temperaturen, zoals in direct zonlicht, in de nabijheid van een radiator of opening waaruit warme lucht blaast.

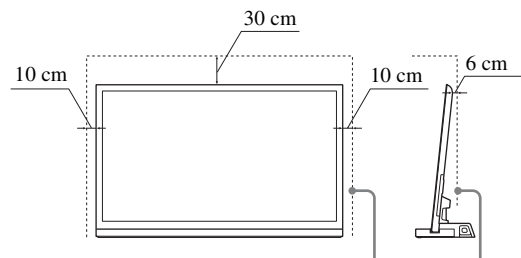
In dergelijke omstandigheden kan de tv oververhit raken, wat tot vervorming van de behuizing en/of storingen van de tv kan leiden.

## Plaats de tv niet op een plaats die blootgesteld is aan directe airconditioning.

Binnenin kan vocht condenseren, wat storingen van de tv kan veroorzaken.

## Laat voldoende ruimte rond het tv-toestel om goede luchtcirculatie te verzekeren.

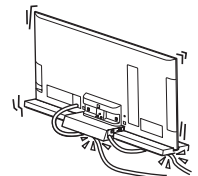
Houd voldoende ruimte vrij rond de tv zoals hieronder weergegeven.



Houd minimaal deze ruimte vrij rond het toestel.

## Netsnoer

- Gebruik alleen netsnoeren geleverd door Sony, geen netsnoeren van andere merken.
- Zorg ervoor dat het netsnoer en de verbindingkabel niet beklemd raken als u de tv op de tv-standaard bevestigt. Als het netsnoer of de verbindingkabel beschadigd is, kan dit brand of elektrische schokken tot gevolg hebben.
- Zorg ervoor dat u niet op het netsnoer of de verbindingkabel gaat staan wanneer u de tv-standaard verplaatst. Het netsnoer of de verbindingkabel kunnen worden beschadigd en dat kan brand of elektrische schokken tot gevolg hebben.
- Als u over het netsnoer of de verbindingkabel struikelt, kan de tv-standaard omvallen en letsels veroorzaken.
- Als u het netsnoer uit de wandcontactdoos verwijdert, wordt de stroom van de tv-standaard volledig afgesloten.



## OPMERKING OVER NETADAPTER

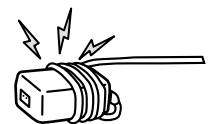
### Waarschuwing

Stel het toestel niet bloot aan regen of vocht om het risico op brand of elektrocutie te verminderen.

Plaats geen met vloeistof gevulde voorwerpen zoals een vaas op het toestel om elektrocutie of brand te voorkomen.

Plaats dit toestel niet in een krappe ruimte zoals op een boekenrek of iets gelijkaardig.

- Zorg ervoor dat het stopcontact zich in de buurt bevindt van het toestel en eenvoudig te bereiken is.
- Gebruik alleen de bijgeleverde netadapter en het bijgeleverde netsnoer.
- Gebruik geen andere netadapter. Dit kan een storing veroorzaken.
- Verbind de netadapter met een stopcontact waar u gemakkelijk bij kunt.
- Wikkel het netsnoer niet rond de netadapter. De kerndraad kan afgesneden worden en/of er kan een defect van de tv ontstaan.
- Raak de netadapter niet aan met natte handen.



(Wordt vervolgd)

- Indien u een afwijking opmerkt aan de netadapter, trekt u het snoer onmiddellijk uit het stopcontact.
- Het toestel blijft onder netspanning staan zolang de stekker in het stopcontact zit, ook al is het toestel zelf uitgeschakeld.

## LET OP

Als er geen rekening wordt gehouden met de volgende voorzorgsmaatregelen, kan dit letsel of beschadiging van eigendommen tot gevolg hebben.

### Plaats geen andere apparaten dan de opgegeven producten op de steun.

Deze tv-standaard is alleen geschikt voor gebruik met het opgegeven product. Als u andere apparaten dan de opgegeven producten plaatst, kunnen die vallen of kapot gaan. Dat kan letsel tot gevolg hebben. De illustraties in deze gebruiksaanwijzing laten de KDL-46NX71□ zien, tenzij anders aangegeven.

### Zet de tv goed vast.

Bevestig de tv op de tv-standaard met de bijgeleverde schroeven. Als de tv niet stevig is bevestigd, kan de tv vallen of kan de tv-standaard omvallen en letsels veroorzaken.

### Opmerkingen over de installatie

Installeer de tv-standaard niet onder een hoek of schuin. Houd rekening met de volgende voorzorgsmaatregelen om dit te voorkomen.

Als u de tv-standaard installeert op een zachte ondergrond zoals een mat of een tapijt, plaats daar dan voordien een plaat over.

- Installeer de tv-standaard niet op een plaats waar deze wordt blootgesteld aan direct zonlicht of in de buurt van de verwarming.
- Installeer de tv-standaard niet op een hete of vochtige plaats of buiten.

### Opmerking over het gebruik

#### Reinigen

Veeg de tv-standaard af en toe schoon met een droge, zachte doek om deze schoon te houden. U kunt hardnekkige vlekken verwijderen met een doek die licht is bevochtigd met een mild zeepsopje. Veeg het gebied vervolgens droog met een droge, zachte doek. Gebruik geen chemicaliën, zoals thinner of benzine, omdat deze de afwerking van de tv-standaard kunnen aantasten.

### Ten minste twee personen moeten het installatiewerk uitvoeren.

Ten minste twee personen moeten de tv op de tv-standaard plaatsen. Als één persoon het installatiewerk alleen uitvoert, kan dit een ongeluk of letsel tot gevolg hebben.

### Pas de tv-standaard niet aan.

Deze kan omvallen en letsel veroorzaken.

### Installeer de tv secuur volgens de instructies.

Draai de schroeven stevig vast. Als de tv niet stevig is bevestigd, kan deze vallen en letsels veroorzaken.

### Wees voorzichtig en verwond uw handen of vingers niet tijdens de installatie.

- Houd de tv-standaard niet vast aan het halsgedeelte als u hem verplaatst.
- Wees voorzichtig en bekeer uw vingers of handen niet als u de tv installeert.

## VOORZORGS- MAATREGELLEN

### Stroombronnen

- Als u de tv-standaard gedurende lange tijd niet gaat gebruiken, koppel dan de tv-standaard los van de wandcontactdoos. Om het netsnoer los te koppelen, houdt u de stekker zelf vast en trekt u nooit aan het snoer.
- Het netsnoer mag enkel vervangen worden in een geschikte onderhoudswinkel.

### Bediening

Voordat u andere componenten aansluit, dient u de tv-standaard uit te schakelen en los te koppelen.

### Auteursrechten

Deze tv-standaard maakt gebruik van Dolby\* Digital en Pro Logic Surround en het digitale surroundsysteem DTS\*\*.

\* Geproduceerd onder licentie van Dolby Laboratories. Dolby, Pro Logic en het symbool met de dubbele D zijn handelsmerken van Dolby Laboratories.

\*\* Geproduceerd onder licentie onder de Amerikaanse patentnummers: 5.451.942; 5.956.674; 5.974.380; 5.978.762; 6.487.535 en andere Amerikaanse en wereldwijde patenten die reeds uitgegeven en aangevraagd zijn. DTS en het bijbehorende symbool zijn geregistreerde handelsmerken en DTS Digital Surround en de logo's van DTS logos zijn handelsmerken van DTS, Inc. Software is bij het product inbegrepen. © DTS, Inc. Alle rechten voorbehouden.

Deze tv-standaard maakt gebruik van High-Definition Multimedia Interface-technologie (HDMI™).

HDMI, het logo van HDMI en High-Definition Multimedia Interface zijn handelsmerken of geregistreerde handelsmerken van HDMI Licensing LLC in de Verenigde Staten en andere landen.

"BRAVIA" is een handelsmerk van Sony Corporation.

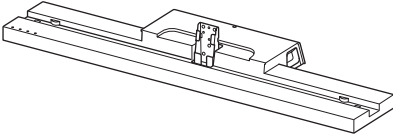
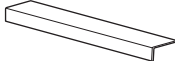
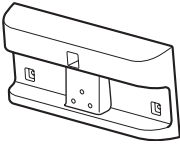
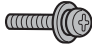
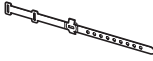


**Opmerking betreffende het verwijderen van de tv-standaard uit de verpakking**

Houd de tv-standaard stevig vast en behandel deze voorzichtig.

Raadpleeg de gebruiksaanwijzing van uw tv voor meer informatie over het verwijderen van de tafelstandaard van de tv.

## Stap 1: De onderdelen controleren

Naam	Aantal
Standaard 	1
Rugplaat* 	2
Verbindingsstuk 	1
Halsbevestigingsschroef voor tv-standaard (PSW5 × 16) zwart (× 3) Schroef voor verbindingsstuk (PSW5 × 16) zwart (× 3) 	6
Netstroomadapter	
Netsnoer	
High Speed HDMI-kabel	1
Kabelhouder 	1
Handleiding	1
Garantiekartaal	

\* Alleen voor het model SU-B550S.

### WAARSCHUWING

Als het netsnoer beklemd raakt onder of tussen onderdelen van de apparatuur, kan dit kortsluiting of elektrische schokken tot gevolg hebben. Als u over het netsnoer of de verbindingkabel struikelt, kan de tv-standaard omvallen en letsels veroorzaken.

### Bepaal eerst de installatieplaats en leg de tv-standaard neer voordat u de tv installeert.

Aangezien de tv zwaar is, kunt u het beste eerst bepalen waar u deze wilt installeren en de tv-standaard ter plaatse monteren.

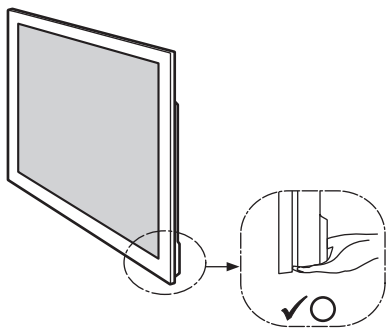
# Stap 2: De tv installeren

## Voor het monteren

- Houd voor de installatie een kruiskopschroevendraaier bij de hand die geschikt is voor de schroeven.
- Als u een elektrische schroevendraaier gebruikt, stel dan het draaimoment in op ongeveer 1,5 N·m {15 kgf·cm}.

## 1 Houd de tv vast op het opgegeven punt als u deze verplaatst.

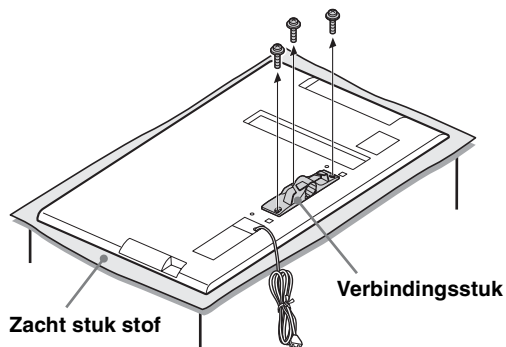
Houd de tv als volgt vast:



- Houd het tv-toestel vast zoals hierboven aangegeven als het manueel wordt verplaatst. Oefen geen druk uit op het LCD-scherm en op het kader rond het scherm.

## 2 Verwijder de schroeven van het verbindingsstuk aan de achterzijde van de tv.

Schuif het verbindingsstuk naar beneden om het los te maken.



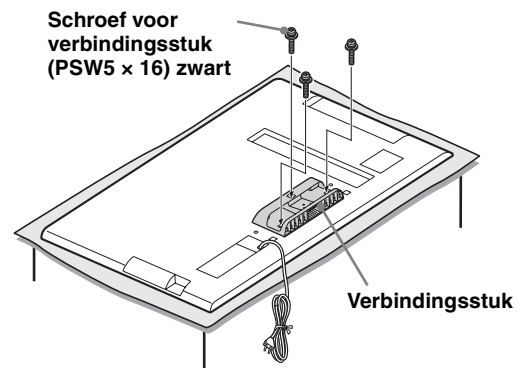
- Zorg dat u de verwijderde schroeven niet verliest.
- Als u de tafelstandaard van het scherm verwijdert, leg het scherm dan met de voorzijde naar beneden gericht op een stabiel werkoppervlak dat groter is dan het scherm.
- Om schade aan het oppervlak van het LCD-scherm te voorkomen, dient u een zacht stuk stof op het werkoppervlak te plaatsen.

## LET OP

- Als het oppervlak van het scherm wordt blootgesteld aan druk of schokken, kan het LCD-scherm breken of beschadigd raken.
- Leg het scherm met de voorzijde naar beneden gericht op een stabiel en horizontaal oppervlak terwijl de tafelstandaard over de rand van het oppervlak hangt. Als u de voorzijde van het scherm en de basis van de tafelstandaard op het hetzelfde horizontale oppervlak legt, krijgt u onstabiele werkomstandigheden en kan het scherm schade oplopen.

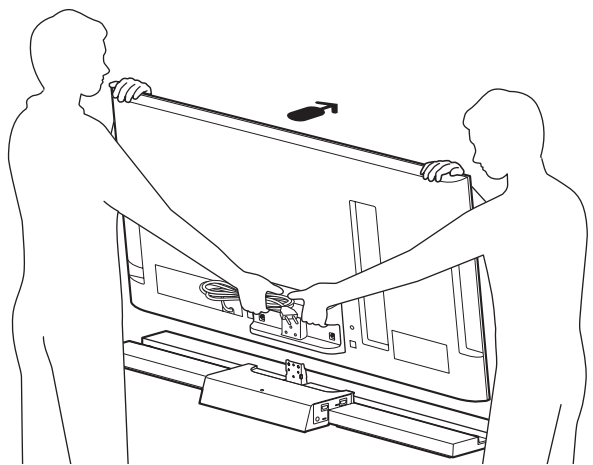
## 3 Bevestig het bijgeleverde verbindingsstuk aan de achterzijde van de tv met de drie schroeven (PSW5 × 16) zwarte (bijgeleverd).

Schuif het bijgeleverde verbindingsstuk omhoog om het te bevestigen.



## 4 Installeer de tv op de tv-standaard.

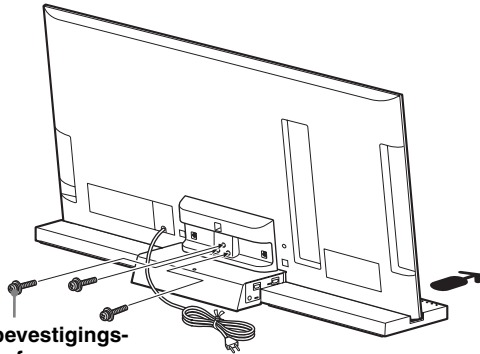
Plaats de tv in de groef van de tv-standaard.



← De pijl wijst de voorzijde van de tv-standaard aan.

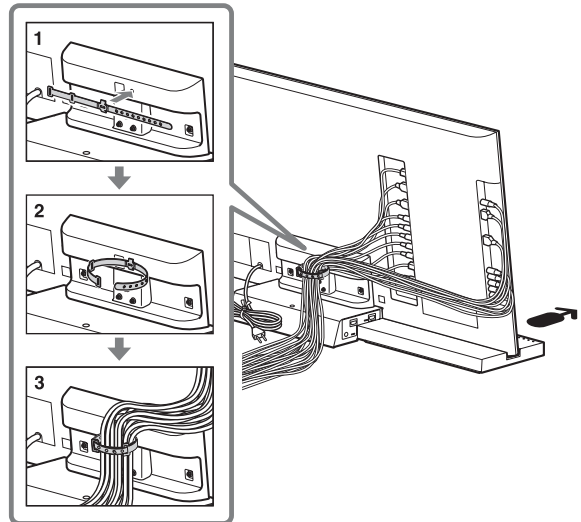
(Wordt vervolgd)

- 5** Bevestig de tv en de tv-standaard met de drie halsbevestigingsschroeven voor de tv-standaard (PSW5 × 16) zwart (bijgeleverd).



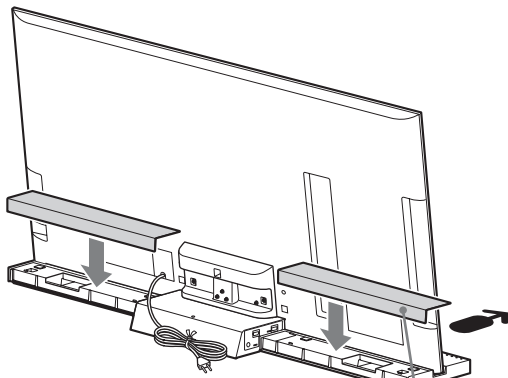
Halsbevestigingsschroef voor tv-standaard (PSW5 × 16) zwart

- 7** De kabels samenbinden.



- Bind het netsnoer niet samen met andere kabels.

- 6** Bevestig de rugplaat aan de tv-standaard. (Alleen voor het model SU-B550S)



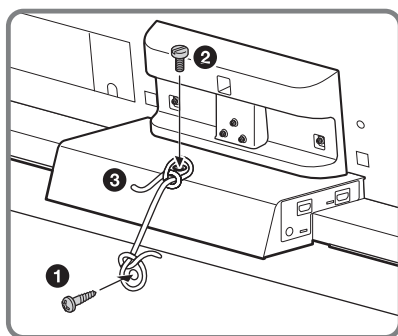
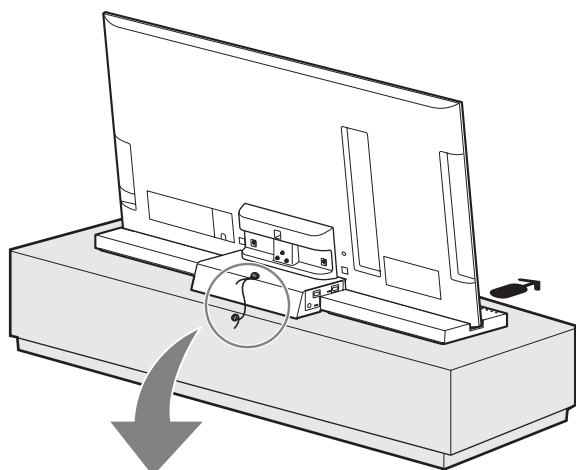
Rugplaat



## Stap 3: Veiligheidsmaatregelen om omvallen te voorkomen

### WAARSCHUWING

Neem voldoende maatregelen om te voorkomen dat de tv-standaard omvalt en zo letsels of schade veroorzaakt.

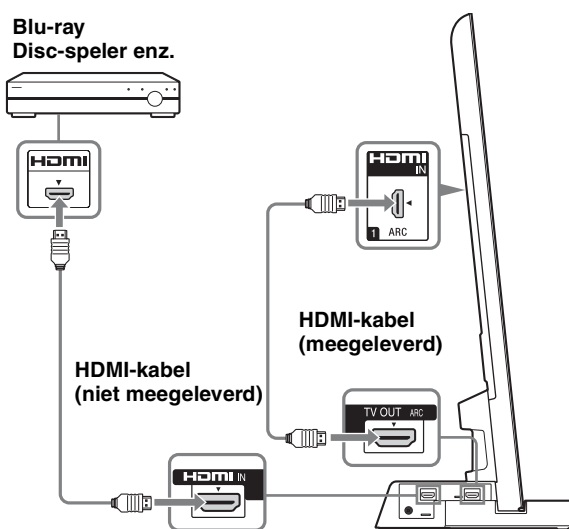


- 1 Plaats een houtschroef (4 mm diameter, niet bijgeleverd) in de plaat.
- 2 Plaats een kolomschroef (M4 x 16, niet bijgeleverd) in de schroefopening van de tv-standaard.
- 3 Bevestig de houtschroef en de kolomschroef met een stevige draad (niet bijgeleverd).

## Stap 4: De tv en speler aansluiten

### Sluit de tv met een HDMI-aansluiting aan op de tv-standaard met behulp van een HDMI-kabel.

Door via HDMI-kabels componenten aan te sluiten die Sony "BRAVIA" Sync ondersteunen, kunt u de bediening vereenvoudigen als u de functie Controle voor HDMI instelt op de tv.



- De tv-standaard ondersteunt de Audio Return Channel-functie (ARC). Als u de tv-standaard via een HDMI-kabel verbindt met de HDMI-aansluiting van de tv die ARC ondersteunt, dan hoeft u de tv niet met de tv-standaard te verbinden via een digitale optische kabel.
- U kunt de letters "ARC" zien naast de HDMI-aansluiting van de tv indien deze de ARC-functie ondersteunt. Indien de HDMI-ingang de ARC-functie niet ondersteunt, dan kunt u de ARC-functie niet gebruiken, zelfs als u een HDMI-kabel met de aansluiting verbindt.
- De ARC-functie is alleen beschikbaar als Controle voor HDMI ingeschakeld is.



- Zelfs als de tv-standaard uitgeschakeld is (actieve standbystand), wordt het HDMI-sigitaal verzonden naar de component die via de HDMI-verbinding op de tv aangesloten is. U kunt beelden en geluid afkomstig van de component op de tv afspelen.

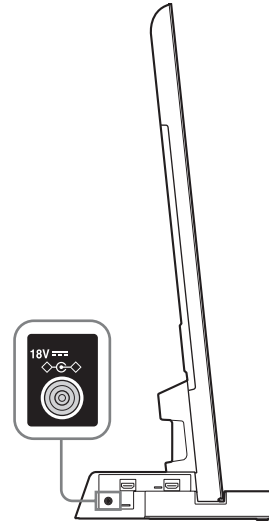
(Wordt vervolgd)

## Opmerkingen over HDMI-verbindingen

- Gebruik een High Speed HDMI-kabel. Als u een Standard HDMI-kabel gebruikt, bestaat de kans dat beelden in 1080p, Deep Colour of 3D niet correct worden weergegeven.
- We bevelen het gebruik aan van een kabel met HDMI-goedkeuring.
- Controleer de instellingen van de aangesloten component als de beeldkwaliteit slecht is of als er geen geluid wordt uitgevoerd door een component die via de HDMI-kabel is aangesloten.
- Audiosignalen (bemonsteringsfrequentie, bitlengte, enzovoort) die via een HDMI-aansluiting worden overgedragen, worden mogelijk onderdrukt door de aangesloten component.
- Het geluid wordt mogelijk onderbroken als de bemonsteringsfrequentie of het aantal uitgevoerde audiokanalen van de afspelcomponent wordt omgeschakeld.
- Als de aangesloten component geen technologie ter bescherming van auteursrechten (HDCP) ondersteunt, dan kan het beeld en/of geluid dat uit de HDMI TV OUT-aansluiting komt, mogelijk vervormd zijn of niet uitgevoerd worden.  
Controleer in dat geval de specificaties van de aangesloten component.
- We bevelen het gebruik van een HDMI-DVI-conversiekabel niet aan.
- Dit systeem ondersteunt de overdracht van Deep Colour, "x.v.Colour" en 3D.

## Stap 5: Het netsnoer aansluiten

Voordat u het netsnoer van de tv-standaard verbindt met een wandcontactdoos, sluit u alle andere componenten en de tv aan op de tv-standaard.



- Sluit de tv-standaard aan op een eenvoudig bereikbare wandcontactdoos. Als u iets abnormaals opmerkt aan de tv-standaard, trek dan meteen de hoofdstekker uit het stopcontact.

## Stap 6: De tv-instellingen uitvoeren

### 1 Stel de functie "Controle voor HDMI" in op "Aan".

Druk op de HOME-knop van de afstandsbediening van de tv en maak de volgende menukeuzes:

📁 Instellingen > 📺 Externe ingangen > HDMI-instellingen > Controle voor HDMI > Aan

### 2 Stel "Audiosysteem" in het menu "Speakers" in.

Druk op de HOME-knop van de afstandsbediening van de tv en maak de volgende menukeuzes:

📁 Instellingen > 🎧 Geluid > Speakers > Audiosysteem



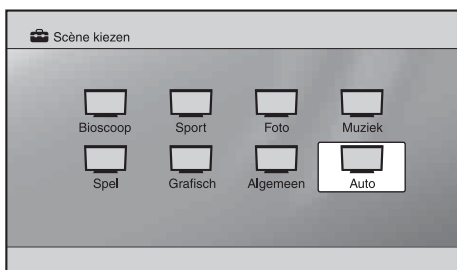
- Na het voltooien van de instellingen voor procedure 1 en 2, licht het I (aan/uit)-lampje groen op.



#### • Stand Scène kiezen

Deze tv-standaard wordt automatisch gesynchroniseerd met de geluidsinstellingen van de tv en werkt samen met de functie Scène kiezen, zodat u uw favoriete geluid kunt kiezen voor de gekozen scène.

Om het geluid te veranderen, dient u de geluidsinstellingen van tv te veranderen.



Voordat u deze stand gebruikt, dient u ervoor te zorgen dat de volgende instellingen doorgevoerd zijn op de tv.

## Problemen oplossen

### Geluid

Geen geluid:

- Controleer of de HDMI-kabel goed aangesloten is.
- Controleer de instellingen voor "Controle voor HDMI" en "Audiosysteem" in Stap 6 (pagina 11).

Gebruik met hoofdtelefoon:

- Schakel "Audiosysteem" naar "TV-speaker" in de instelling "Speakers".

Bij gebruik van dubbel geluid van een digitale tv-uitzending:

- Afhankelijk van de uitzending, kan het geluid niet gewijzigd worden. Wijzig de instelling "Optische uitgang" van de tv van "Auto" naar "PCM".

Bij gebruik van externe apparatuur voor dubbel geluid:

- Als het geluid niet kan worden gewijzigd, wijzigt u de audio-uitvoerinstelling van de externe apparatuur om PCM te activeren.

### Lampje

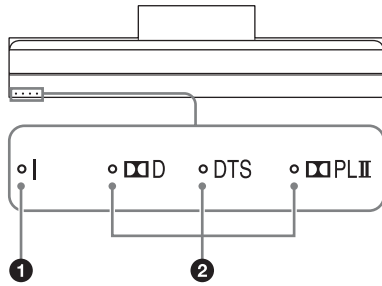
Hoewel de tv ingeschakeld is, licht het I (aan)-lampje van de tv-standaard niet op:

- Controleer of het netsnoer enzovoort goed aangesloten is.
- Raadpleeg de klantendienst.

Het I (aan)-lampje knippert rood:

- Dit product kan last hebben van een storing. Controleer hoeveel keer de led knippert en raadpleeg de onderhoudsdienst van Sony.

# Lampje



## 1 I (aan)-lampje

licht als volgt op:

Groen: de stroom van de tv-standaard is ingeschakeld. ("Audiosysteem" is ingesteld voor "Speakers".)

Uit: de tv-standaard is in de stand-bystand of uitgeschakeld.

## 2 Lampjes voor de audio-indeling

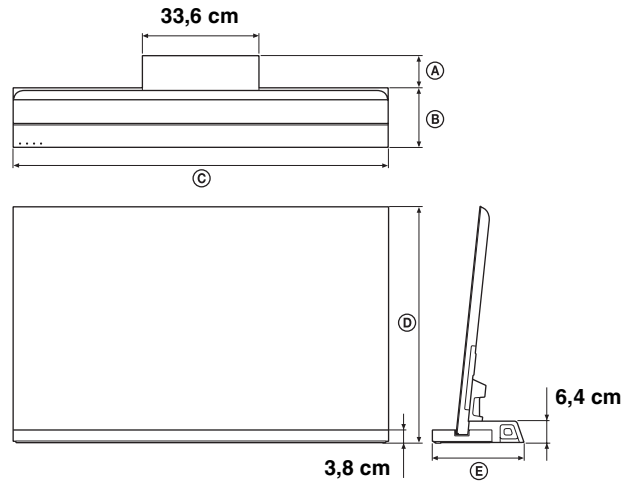
Deze lichten op afhankelijk van de audio-indeling die in de tv-standaard wordt ingevoerd.

D: Dolby Digital

DTS

PLII: Dolby Pro Logic II

# Specificaties



		SU-B550S	SU-B460S	SU-B400S
Afmetingen: cm	(A)	8,1	9,3	10
	(B)	20	17,2	16,1
	(C)	127,6	108,3	94,4
	(D)	79,3	68,4	60,6
	(E)	28,1	26,5	26,1
Gewicht standaard:		5,8 kg	5,4 kg	5,1 kg

## Versterkergedeelte

Nominaal uitgangsvermogen

Vooraan: 10 W + 10 W, (per kanaal)  
12 ohm, 1 kHz, THD minder dan 1%  
Subwoofer: 20 W, 6 ohm, 100 Hz,  
THD minder dan 1%

## HDMI-gedeelte

Aansluiting HDMI™-aansluiting  
Video-ingangen/  
uitgangen 640 × 480p@60 Hz  
720 × 480p@59,94/60 Hz  
1280 × 720p@59,94/60 Hz  
1920 × 1080i@59,94/60 Hz  
1920 × 1080p@59,94/60 Hz  
720 × 576p@50 Hz  
1280 × 720p@50 Hz  
1920 × 1080i@50 Hz  
1920 × 1080p@50 Hz  
1920 × 1080p@24 Hz  
Deep Colour: 30bit/36bit

Video-ingangen/ uitgangen (3D)	1280 × 720p@59,94/60 Hz
	Frameverpakking
	1920 × 1080i@59,94/60 Hz
	Frameverpakking
	1920 × 1080i@59,94/60 Hz
	Naast elkaar (Half)
	1920 × 1080p@59,94/60 Hz
	Naast elkaar (Half)
	1280 × 720p@50 Hz
	Frameverpakking
	1920 × 1080i@50 Hz
	Frameverpakking
	1920 × 1080i@50 Hz
	Naast elkaar (Half)
1920 × 1080p@50 Hz	
Naast elkaar (Half)	
1920 × 1080p@24 Hz	
Frameverpakking	
Deep Colour: 30bit/36bit	
Audio-ingangen	Lineaire PCM 7.1-kanaals/ Dolby Digital/DTS

## Speakers

### Voorste speaker

Speakersysteem	2-wegs met 3 drivers, bass reflex-type
Speaker	Woofer: 30 × 82 mm conustype × 2 Tweeter: 14 mm dome-type

### Subwoofer

Speakersysteem	Subwoofer, bass reflex-type
Speaker	70 mm, conustype

## Algemeen

Voeding	100 – 240 V, 50/60 Hz
Stroomverbruik	
Aan: 12 W	
Stand-by: 0,7 W	

- Stroomverbruik in stand-by: 0,7 W
- Er werden geen halogene brandvertragende producten gebruikt in de betreffende printplaten.
- Met de S-Master, de volledig digitale versterker, bereikt het versterkerblok een vermogen van meer dan 85 %.

Wijzigingen in ontwerp en technische gegevens voorbehouden zonder voorafgaande kennisgeving.

## Informazioni sulla sicurezza

**Complimenti per l'acquisto del presente prodotto. I prodotti Sony sono progettati per essere sicuri. Se il prodotto viene utilizzato in modo errato si potrebbero verificare infortuni gravi dovuti a incendi, scosse elettriche, al capovolgimento o alla caduta del prodotto stesso. Onde evitare tali incidenti, assicurarsi di osservare le appropriate precauzioni per la sicurezza.**

Nel presente manuale di istruzioni vengono descritte importanti precauzioni necessarie per garantire il corretto uso del prodotto e per evitare incidenti. Leggere attentamente il presente manuale e utilizzare il prodotto in modo corretto. Assicurarsi di conservare il presente manuale per riferimenti futuri.

Il fabbricante di questo prodotto è Sony Corporation, 1-7-1 Konan Minato-ku Tokyo, 108-0075, Giappone. Il rappresentante autorizzato ai fini della Compatibilità Elettromagnetica e della sicurezza del prodotto è Sony Deutschland GmbH, Hedelfinger Strasse 61, 70327, Stoccarda Germania. Per qualsiasi problema relativo all'assistenza o alla garanzia, si prega di fare riferimento agli indirizzi indicati nei documenti di assistenza e garanzia forniti con il prodotto.

## AVVERTIMENTO

### Prodotti specificati

Questo supporto è progettato per essere impiegato con i prodotti Sony sotto specificati. Non utilizzare con prodotti diversi.

I seguenti prodotti sono soggetti a modifiche senza preavviso, potrebbero essere esauriti oppure la loro produzione potrebbe essere stata interrotta.

Inoltre, alcuni modelli vengono venduti soltanto in alcune regioni.

	Televisore a colori LCD
SU-B550S	KDL-55NX81□*
SU-B460S	KDL-46NX71□*
SU-B400S	KDL-40NX71□*

(a partire da agosto 2010)

\* Nei nomi dei modelli, "□" indica numeri e/o caratteri utilizzati per designare i singoli modelli di una serie.

### Ubicazione della targhetta di identificazione

La targhetta del n. di modello è ubicata sulla parte posteriore del supporto per televisore.

## Smaltimento del supporto per televisore



**Trattamento del dispositivo elettrico o elettronico a fine vita (applicabile in tutti i paesi dell'Unione Europea e in altri paesi europei con sistema di raccolta differenziata)**

Questo simbolo sul prodotto o sulla confezione indica che il prodotto non deve essere considerato come un normale rifiuto domestico, ma deve invece essere consegnato a un punto di raccolta appropriato per il riciclo di apparecchi elettrici ed elettronici. Accertandosi che questo prodotto sia smaltito correttamente, si contribuisce a prevenire potenziali conseguenze negative per l'ambiente e per la salute che potrebbero altrimenti essere causate dal suo smaltimento inadeguato. Il riciclo dei materiali aiuta a conservare le risorse naturali. Per informazioni più dettagliate circa il riciclo di questo prodotto, potete contattare l'ufficio comunale, il servizio locale di smaltimento rifiuti oppure il negozio dove l'avete acquistato. Trattamento delle pile esauste (applicabile in tutti i paesi dell'Unione Europea e in altri paesi Europei con sistema di raccolta differenziata).

## ATTENZIONE

**Se le precauzioni riportate di seguito non vengono rispettate, potrebbero verificarsi infortuni gravi o mortali a causa di incendi, scosse elettriche o in seguito al capovolgimento del prodotto.**

### Si raccomanda di adottare misure atte a prevenire il capovolgimento del supporto per televisore.

Diversamente, è possibile che il televisore cada e provochi ferite a persone.

Fissare il supporto per televisore, il rack, ecc. in modo da prevenirne il capovolgimento.

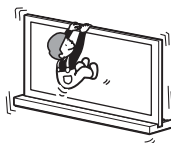
### Si raccomanda di installare il supporto per televisore su una superficie stabile.

Se viene installato su una superficie instabile, il supporto per televisore potrebbe sbilanciarsi e capovolgersi o cadere. Ciò potrebbe causare danni o lesioni.



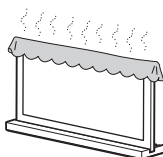
## Non appoggiarsi né aggrapparsi al televisore quando è installato sul supporto per televisore.

Il supporto per televisore potrebbe capovolgersi, oppure il televisore potrebbe cadere provocando infortuni gravi o mortali.



## Non ostruire la presa di ventilazione del televisore.

Le prese di ventilazione nel televisore sono necessarie per garantire il funzionamento affidabile del televisore e proteggerlo dal surriscaldamento.



- Non ostruire né coprire le prese di ventilazione con un panno o altri materiali.
- Evitare in qualsiasi circostanza di far cadere liquidi od oggetti solidi nelle prese di ventilazione.

## Non posizionare oggetti pieni di liquidi, come ad esempio un vaso o una pianta in vaso, sul televisore.

Non utilizzare un televisore alimentato dalla linea elettrica vicino all'acqua; ad esempio, vicino a una vasca da bagno, un lavabo, un lavandino, una vasca per lavare i panni, una cantina umida o vicino a una piscina e così via.

Non installare il televisore in luoghi soggetti a temperature estreme, come ad esempio la luce diretta del sole, vicino a un radiatore o a un impianto di ventilazione ad aria calda.

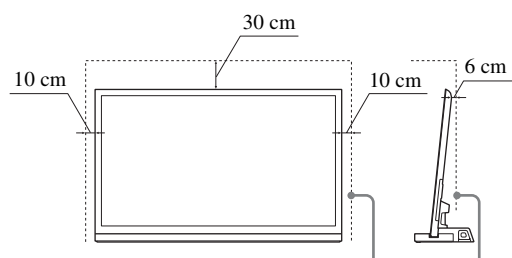
In tali condizioni, il televisore potrebbe surriscaldarsi con la possibilità di deformazione dell'involucro e/o di malfunzionamenti del televisore stesso.

Non installare il televisore in un luogo esposto direttamente a un impianto di condizionamento dell'aria.

L'umidità potrebbe condensare all'interno e causare malfunzionamenti del televisore.

## Lasciare uno spazio adeguato intorno al televisore per garantire una circolazione dell'aria appropriata.

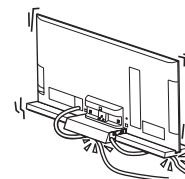
Lasciare uno spazio adeguato intorno al televisore come indicato di seguito.



Spazio minimo indispensabile.

## Cavo di alimentazione CA

- Utilizzare soltanto i cavi di alimentazione CA Sony in dotazione e non quelli di altri marchi.
- Durante l'installazione del televisore sul supporto per televisore, prestare attenzione affinché il cavo di alimentazione CA o il cavo di collegamento non rimangano incastrati. Se il cavo di alimentazione CA o il cavo di collegamento vengono danneggiati, si potrebbero verificare incendi o scosse elettriche.
- Fare attenzione a non calpestare il cavo di alimentazione CA o il cavo di collegamento mentre si trasporta il supporto per televisore. Il cavo di alimentazione CA o il cavo di collegamento potrebbero venire danneggiati e si potrebbero verificare incendi o scosse elettriche.
- Se si inciampa sul cavo di alimentazione CA o il cavo di collegamento, il supporto per televisore potrebbe capovolgersi provocando infortuni.
- Lo scollegamento del cavo di alimentazione CA dalla presa a muro consentirà di eliminare l'alimentazione dal supporto per televisore.



## NOTA SULL'ADATTATORE DI ALIMENTAZIONE

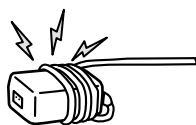
### Avvertenza

Per ridurre il rischio di incendi o di scosse elettriche, non esporre l'apparecchio a pioggia o umidità.

Per evitare il rischio di incendi o scosse elettriche, non collocare sull'apparecchio oggetti contenenti liquidi, ad esempio vasi o simili.

Evitare di installare l'apparecchio in spazi limitati, ad esempio su una libreria o luoghi simili.

- Accertarsi che la presa di rete sia installata vicino all'apparecchio e sia facilmente accessibile.
- Accertarsi di utilizzare l'adattatore e il cavo di alimentazione in dotazione.
- Non utilizzare un adattatore di alimentazione diverso. Potrebbe provocare un malfunzionamento.
- Collegare l'adattatore di alimentazione ad una presa di rete facilmente accessibile.
- Non avvolgere il cavo di alimentazione attorno all'adattatore. L'anima potrebbe spezzarsi e/o provocare anomalie di funzionamento al televisore.
- Non toccare l'adattatore di alimentazione con le mani bagnate.
- Qualora si noti un'anomalia nell'adattatore di alimentazione, scollegarlo immediatamente dalla presa di rete.
- Anche se l'apparecchio è stato spento, questo non è scollegato dalla rete elettrica finché rimane collegato alla presa di rete.



## AVVERTIMENTO

In caso di inosservanza delle seguenti precauzioni, potrebbero verificarsi ferite o danni a oggetti.

### Non installare apparecchi diversi dal prodotto specificato.

Questo supporto per televisore è progettato per essere impiegato esclusivamente con i prodotti sotto specificati. Se si installano apparecchi diversi da quelli specificati, è possibile che cadano o si rompano e provochino infortuni. Salvo diversamente specificato, le illustrazioni riportate nel presente manuale si riferiscono ai modelli KDL-46NX71□.

### Si raccomanda di fissare il televisore.

Fissare il televisore al supporto per televisore utilizzando le viti fornite. Se il televisore non viene installato in modo sicuro, potrebbe cadere, oppure il supporto per televisore potrebbe capovolgersi provocando infortuni.

## Nota sull'installazione

Installare il supporto per televisore su un pavimento solido e piano. Il supporto per televisore non deve essere installato in posizione inclinata. A questo scopo, osservare le seguenti precauzioni.

Se il supporto per televisore deve essere installato su una superficie non rigida, come un tappeto, collocare preventivamente una tavola di appoggio nella posizione prescelta.

- Non installare il supporto per televisore in luoghi irraggiati dalla luce diretta del sole o vicino a una fonte di calore.
- Non installare il supporto per televisore in un luogo molto caldo o umido, o all'esterno.

## Note sull'utilizzo

### Pulizia

Per eliminare lo sporco ostinato, strofinare con un panno leggermente inumidito con sapone neutro. Si raccomanda di asciugare successivamente l'area interessata con un panno morbido asciutto. Non utilizzare prodotti chimici, quali ad esempio solventi o benzina, in quanto potrebbero danneggiare il rivestimento superficiale del supporto per televisore.

### Assicurarsi che l'installazione venga eseguita da due o più persone.

Assicurarsi che l'installazione del televisore sul supporto per televisore venga eseguita da due o più persone. Se si tenta di eseguire l'installazione da soli, si potrebbero verificare incidenti o lesioni.

### Non apportare modifiche al supporto per televisore.

In caso contrario, potrebbe cadere e provocare lesioni.

### Si raccomanda di installare correttamente il televisore attenendosi alle istruzioni.

Serrare accuratamente le viti. Se non viene installato in modo sicuro, il televisore potrebbe cadere provocando lesioni.

### Fare attenzione a non ferirsi le mani o le dita durante il montaggio.

- Non spostare il supporto per televisore afferrandolo per il montante.
- Durante l'installazione del televisore, fare attenzione a non ferirsi le dita o le mani.



# PRECAUZIONI

## Informazioni sulle sorgenti di alimentazione

- Se non si utilizza il supporto per televisore per molto tempo, accertarsi di scollegare il supporto per televisore dalla presa a muro. Per scollegare il cavo di alimentazione CA, afferrare la spina, non tirare mai il cavo.
- Il cavo di alimentazione CA deve essere modificato soltanto presso un centro di assistenza qualificato.

## Informazioni sul funzionamento

Prima di collegare altri componenti, accertarsi di spegnere e scollegare il supporto per televisore.

---

## Copyright

Il presente supporto per televisore incorpora Dolby\* Digital, Pro Logic Surround e DTS\*\* Digital Surround System.

\* Prodotto su licenza di Dolby Laboratories.

Dolby, Pro Logic e il simbolo della doppia D sono marchi di fabbrica di Dolby Laboratories.

\*\* Prodotto su licenza in conformità con il brevetto USA n.: 5.451.942; 5.956.674; 5.974.380; 5.978.762; 6.487.535, nonché altri brevetti rilasciati e in attesa di rilascio negli Stati Uniti e nel mondo. DTS e il Simbolo sono marchi di fabbrica registrati e i loghi DTS Digital Surround e DTS sono marchi di fabbrica di DTS, Inc. Il prodotto comprende il software. © DTS, Inc. Tutti i diritti riservati.

Questo supporto per televisore incorpora la tecnologia High-Definition Multimedia Interface (HDMI™).

HDMI, il logo HDMI e High-Definition Multimedia Interface sono marchi di fabbrica o marchi di fabbrica registrati di HDMI Licensing LLC negli Stati Uniti e in altri paesi.

“BRAVIA” è un marchio di Sony Corporation.



### Nota sull'estrazione del supporto per televisore dall'imballo

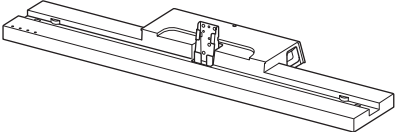
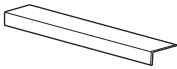
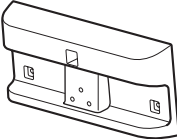


Afferrare saldamente il supporto per televisore e maneggiarlo con attenzione.

### Decidere la posizione di installazione e appoggiare a terra il supporto per televisore prima di installare il televisore.

Il televisore è pesante, pertanto si consiglia di stabilire preventivamente la posizione di installazione, e di assemblare il supporto per televisore in loco.

## Punto 1: verifica dei componenti

Consultare le istruzioni per l'uso in dotazione con il televisore per informazioni sulla procedura di rimozione del supporto da tavolo dal televisore.

Nome	Quantità
Supporto 	1
Coperchio posteriore* 	2
Giunto 	1
Vite di fissaggio del montante del supporto per televisore (PSW5 × 16) nera (× 3) Vite del giunto (PSW5 × 16) nera (× 3) 	6
Adattatore CA	
Cavo di alimentazione CA	
Cavo HDMI ad alta velocità	1
Fermacavi 	1
Manuale di istruzioni	1
Scheda della garanzia	

\* Solo per il modello SU-B550S.

### ATTENZIONE

Se il cavo di alimentazione CA rimane incastrato sotto o tra i componenti dell'apparecchiatura, si potrebbero verificare cortocircuiti o scosse elettriche. Se si inciampa sul cavo di alimentazione CA o il cavo di collegamento, il supporto per televisore potrebbe capovolgersi provocando infortuni.

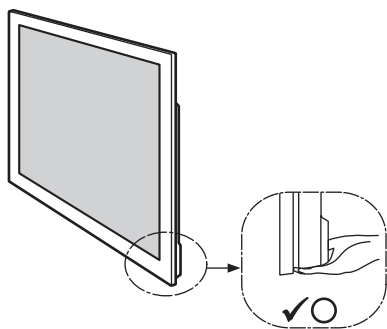
## Punto 2: installazione del televisore

### Prima del montaggio

- Prima di procedere con il montaggio, procurarsi un cacciavite a stella adatto alle viti.
- Se si utilizza un cacciavite elettrico, la coppia deve essere pari a circa 1,5 N-m {15 kgf-cm}.

### 1 Per spostare il televisore, mantenerlo fermo nel punto specificato.

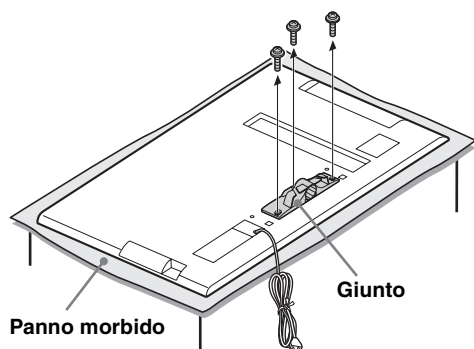
Si raccomanda di sorreggere il televisore come mostrato in figura:



- Per trasportare il televisore con le mani, sorreggerlo come mostrato in figura. Non esercitare pressioni sullo schermo LCD e sul telaio circostante.

### 2 Rimuovere le viti dal giunto nella parte posteriore del televisore.

Far scorrere il giunto verso il basso per rimuoverlo.



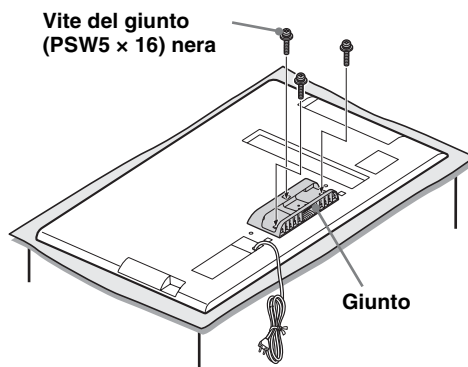
- Accertarsi di conservare le viti rimosse.
- Quando si rimuove il supporto da tavolo dal display, posizionare quest'ultimo con la superficie rivolta verso il basso su un piano di lavoro stabile più grande del display.
- Onde evitare che la superficie del display LCD venga danneggiata, accertarsi di posizionare un panno morbido sul piano di lavoro.

### AVVERTIMENTO

- In caso di pressione o urto della superficie del display, il display LCD potrebbe rompersi o danneggiarsi.
  - Posizionare il display, con la superficie rivolta verso il basso, su una superficie piana e stabile con il supporto da tavolo che sporge dal bordo della superficie.
- Se si posiziona la superficie del display e la base del supporto da tavolo sulla stessa superficie, si creerà una condizione di lavoro instabile che potrebbe danneggiare il display.

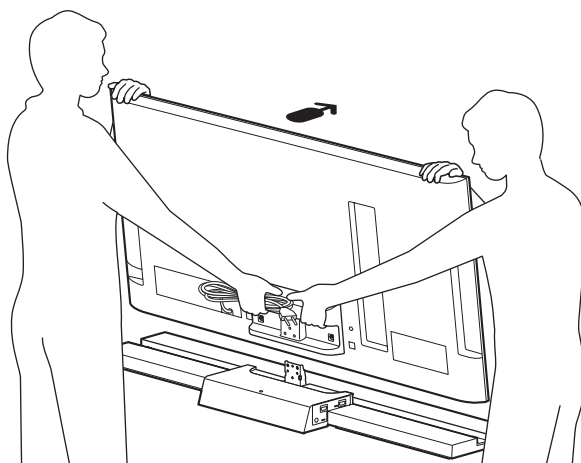
### 3 Fissare il giunto in dotazione alla parte posteriore del televisore con le tre viti (PSW5 x 16) nere (in dotazione).

Far scorrere il giunto in dotazione fino a che non sarà fissato.



### 4 Installare il televisore sul supporto per televisore.

Installare il televisore posizionandolo nella fessura del supporto per televisore.



← La freccia indica la parte anteriore del supporto per televisore.

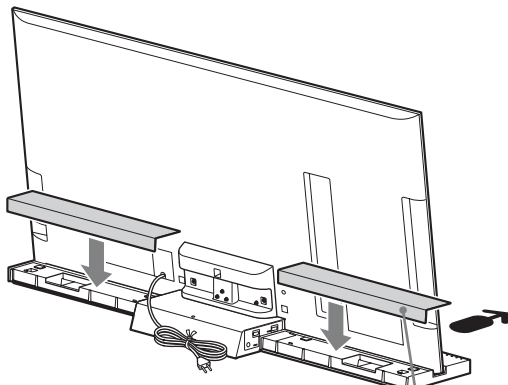
(Continua)

**5** Fissare il televisore e il supporto per televisore con le tre viti di fissaggio del montante del supporto per televisore (PSW5 × 16) nere (in dotazione).



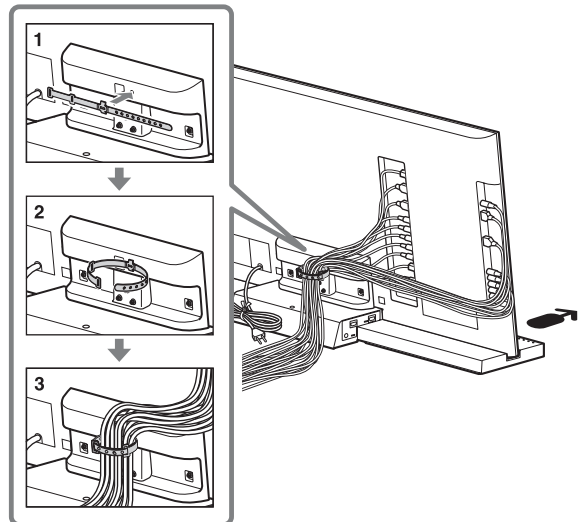
Vite di fissaggio del montante del supporto per televisore (PSW5 × 16) nera

**6** Installare il coperchio posteriore sul supporto per televisore. (Solo per il modello SU-B550S)



Coperchio posteriore

**7** Raggruppamento dei cavi.

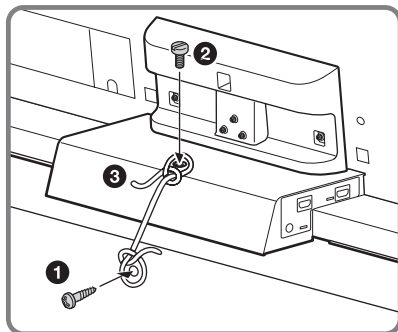
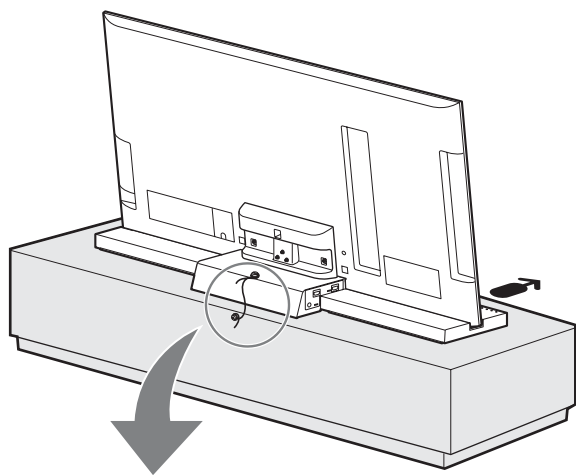


- Non raggruppare il cavo di alimentazione CA nello stesso fascio degli altri cavi.

## Punto 3: misure di sicurezza per evitare il capovolgimento

### ATTENZIONE

Si raccomanda di adottare misure atte a prevenire il capovolgimento del supporto per televisore, onde evitare possibili infortuni e danni.

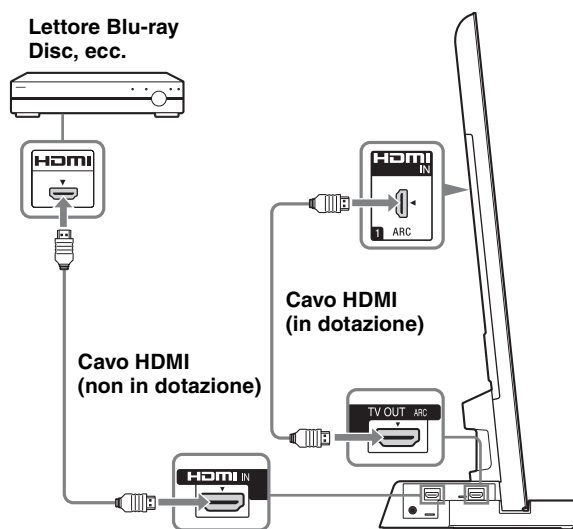


- 1 Installare una vite da legno (4 mm di diametro, non in dotazione) nel pannello.
- 2 Inserire una vite da ferro (M4 x 16, non in dotazione) nell'apposito foro del supporto per televisore.
- 3 Legare tra loro la vite da legno e la vite da ferro con una corda robusta (non in dotazione).

## Punto 4: Collegamento del televisore e del lettore

### Collegare il televisore con una presa HDMI al supporto per televisore utilizzando un cavo HDMI.

Se si collegano componenti compatibili con Sony "BRAVIA" Sync utilizzando cavi HDMI, il funzionamento risulta semplificato nel momento in cui si imposta la funzione Controllo per HDMI per il televisore.



- Il supporto per televisore è compatibile con la funzione Audio Return Channel (ARC). Se si collega il supporto per televisore alla presa HDMI del televisore compatibile con ARC tramite un cavo HDMI, non è necessario collegare il televisore al supporto per televisore con il cavo ottico digitale.
- Se la presa HDMI del televisore è compatibile con la funzione ARC, accanto ad essa è visibile l'indicazione "ARC". Anche se si collega un cavo HDMI alla presa, se la presa di ingresso HDMI non è compatibile con la funzione ARC, non è possibile utilizzare la funzione ARC.
- La funzione ARC è disponibile solo se la funzione Controllo per HDMI è attivata.



- Anche se il supporto per televisore è spento (modo standby attivo), il segnale HDMI verrà inviato dal componente collegato al televisore tramite il collegamento HDMI. È possibile visualizzare le immagini e ascoltare l'audio del componente sul televisore.

### Note sui collegamenti HDMI

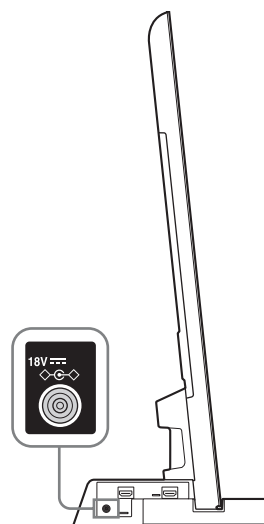
- Utilizzare un cavo HDMI ad alta velocità. Se si utilizza un cavo Standard HDMI, le immagini 1080p, Deep Colour o 3D potrebbero non essere visualizzate correttamente.
- Si consiglia l'uso di un cavo HDMI certificato.

(Continua)

- Verificare le impostazioni del componente collegato se l'immagine è di qualità scadente o se un componente collegato tramite cavo HDMI non emette suoni.
- I segnali audio (frequenza di campionamento, lunghezza in bit, ecc.) trasmessi da una presa HDMI possono essere eliminati dal componente collegato.
- L'audio può interrompersi se vengono cambiati la frequenza di campionamento o il numero di canali dei segnali di uscita audio dal componente di riproduzione.
- Se il componente collegato non è compatibile con la tecnologia di protezione del copyright (HDCP), l'immagine e/o l'audio emessi dalla presa HDMI TV OUT potrebbero risultare distorti o assenti.  
In questo caso, verificare le caratteristiche tecniche del componente collegato.
- L'uso di un cavo di conversione HDMI-DVI non è consigliato.
- Questo sistema supporta la trasmissione Deep Colour, "x.v.Colour", e 3D.

## Punto 5: collegamento del cavo di alimentazione CA

Prima di collegare il cavo di alimentazione CA del supporto per televisore a una presa a muro, collegare tutti gli altri componenti e il televisore al supporto per televisore.



- Collegare il supporto per televisore a una presa CA facilmente accessibile. Se si dovessero riscontrare anomalie nel supporto per televisore, scollegare immediatamente la spina di alimentazione dalla presa CA.

## Punto 6: Esecuzione delle impostazioni del televisore

### ❶ Impostare la funzione “Controllo per HDMI” su “Sì”.

Premere il pulsante HOME sul telecomando del televisore e selezionare il menu come indicato di seguito:

🗑 Impostazioni > 📺 Ingressi Esterni > Impostazione HDMI > Controllo per HDMI > Sì

### ❷ Impostare “Sistema Audio” nel menu “Altoparlanti”.

Premere il pulsante HOME sul telecomando del televisore e selezionare il menu come indicato di seguito:

🗑 Impostazioni > 🔊 Suono > Altoparlanti > Sistema Audio

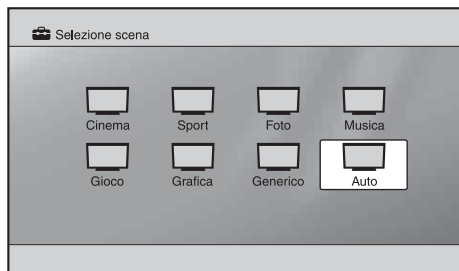


- Una volta completate le impostazioni della procedura ❶ e ❷, l'indicatore **I** (accensione/standby) si illumina in verde.



#### • Modo Selezione scena

Questo supporto per televisore è sincronizzato automaticamente con le impostazioni audio del televisore ed è compatibile con la funzione Selezione scena, in modo da consentire la scelta dell'audio preferito per la scena selezionata. Per modificare l'audio, modificare le impostazioni audio del televisore.



Prima di utilizzare questa modalità, accertarsi di aver effettuato le seguenti impostazioni sul televisore.

## Risoluzione dei problemi

### Suono

Nessun audio:

- Verificare il collegamento del cavo HDMI.
- Controllare le impostazioni di “Controllo per HDMI” e “Sistema Audio” nel punto 6 (pagina 11).

Uso con le cuffie:

- Impostare “Sistema Audio” su “Altoparlante TV” nell'impostazione “Altoparlanti”.

Uso con audio doppio della trasmissione televisiva digitale:

- A seconda della trasmissione, potrebbe non essere possibile commutare l'audio. Commutare l'impostazione “Uscita ottica” del televisore da “Auto” a “PCM”.

Uso con dispositivo esterno per audio doppio:

- Se non è possibile commutare l'audio, commutare l'impostazione uscita audio del dispositivo esterno per attivare PCM.

### Indicatore

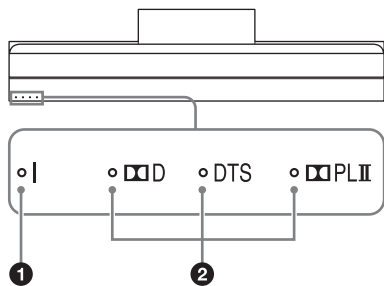
Anche se il televisore è acceso, l'indicatore **I** (accensione) sul supporto per televisore non si illumina:

- Verificare il collegamento del cavo dell'alimentazione CA e così via.
- Consultare il servizio di assistenza clienti.

Indicatore **I** (accensione) lampeggiante in rosso:

- Potrebbe essersi verificato un malfunzionamento del prodotto. Verificare quante volte lampeggia il LED e consultare il centro di assistenza Sony.

## Indicatore



### 1 Indicatore I (accensione)

Si illumina come indicato di seguito:

Verde: il supporto per televisore è acceso. (È impostato “Sistema Audio” per “Altoparlanti”.)

Spento: il supporto per televisore è spento o in standby.

### 2 Indicatori del formato audio

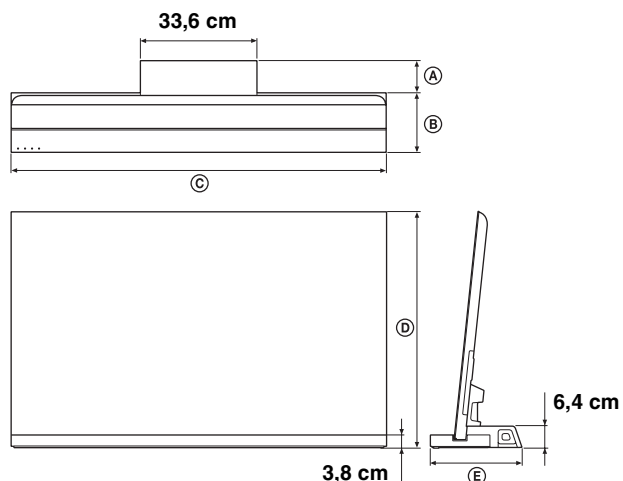
Si illuminano a seconda del formato audio inviato al supporto per televisore.

□D: Dolby Digital

DTS

□PLII: Dolby Pro Logic II

## Caratteristiche tecniche



		SU-B550S	SU-B460S	SU-B400S
Dimensioni: cm	(A)	8,1	9,3	10
	(B)	20	17,2	16,1
	(C)	127,6	108,3	94,4
	(D)	79,3	68,4	60,6
	(E)	28,1	26,5	26,1
Peso del supporto:		5,8 kg	5,4 kg	5,1 kg

### Amplificatore

Potenza di uscita nominale

Anteriore: 10 W + 10 W (per canale),

12 ohm, 1 kHz, THD inferiore a 1%

Subwoofer: 20 W, 6 ohm, 100 Hz,

THD inferiore a 1%

### Sezione HDMI

Connettore

Connettore HDMI™

Ingressi/uscite video

640 × 480p@60 Hz

720 × 480p@59,94/60 Hz

1280 × 720p@59,94/60 Hz

1920 × 1080i@59,94/60 Hz

1920 × 1080p@59,94/60 Hz

720 × 576p@50 Hz

1280 × 720p@50 Hz

1920 × 1080i@50 Hz

1920 × 1080p@50 Hz

1920 × 1080p@24 Hz

Deep Colour: 30bit/36bit



Ingressi/ uscite video (3D)	1280 × 720p@59,94/60 Hz Frame packing 1920 × 1080i@59,94/60 Hz Frame packing 1920 × 1080i@59,94/60 Hz Affiancato (Metà) 1920 × 1080p@59,94/60 Hz Affiancato (Metà) 1280 × 720p@50 Hz Frame packing 1920 × 1080i@50 Hz Frame packing 1920 × 1080i@50 Hz Affiancato (Metà) 1920 × 1080p@50 Hz Affiancato (Metà) 1920 × 1080p@24 Hz Frame packing Deep Colour: 30bit/36bit
Ingressi audio	PCM lineare 7.1ch/ Dolby Digital/DTS

## Altoparlanti

### Unità diffusore anteriore

Sistema diffusori	Bidirezionale a 3 unità, bass reflex
Unità diffusore	Woofer: 30 × 82 mm tipo conico ×2 Tweeter: 14 mm tipo a cupola

### Unità subwoofer

Sistema diffusori	Subwoofer, bass reflex
Unità diffusore	70 mm tipo conico

## Informazioni generali

Requisiti di alimentazione	100 – 240 V, 50/60 Hz
----------------------------	-----------------------

### Consumo energetico

Acceso:	12 W
Standby:	0,7 W

- Consumo energetico in standby: 0,7 W
- In alcuni pannelli a circuiti stampati non vengono utilizzati i ritardanti di fiamma alogenati.
- Oltre l'85 % dell'efficienza energetica dell'amplificatore viene raggiunta tramite l'amplificatore completamente digitale, S-Master.

Le caratteristiche e specifiche sono soggette a modifiche senza preavviso.

## Om säkerhet

Tack för att du visade oss förtroende genom att välja denna produkt.

Produkter från Sony är utformade med tanke på säkerhet. Felaktig användning kan leda till allvarliga personskador till följd av brand, elstötar, att produkten välter eller faller i golvet. Åsidosätt inte säkerheten så förebygger du sådana olyckor.

I den här bruksanvisningen finns instruktioner för hur produkten används samt information om sådant som du bör känna till för att undvika olyckor. Läs den här bruksanvisningen noga och använd produkten enligt instruktionerna. Behåll den här bruksanvisningen för framtida bruk.

Tillverkare av denna produkt är Sony Corporation, 1-7-1 Konan Minato-ku Tokyo, 108-0075 Japan. Auktoriserad representant för EMC och produktsäkerhet är Sony Deutschland GmbH, Hedelfinger Strasse 61, 70327 Stuttgart, Germany. För service- och garantiärenden, var vänlig se separat service- och garantidokument.

## VAR FÖRSIKTIG

### Angivna produkter

Detta stativ har konstruerats för de Sony-produkter som anges nedan. Montera inte andra utrustningar än de som är specificerade.

Följande produkter kan ändras utan föregående meddelande, vara slut på lager, eller slutat tillverkas.

Vissa modeller säljs enbart inom vissa regioner.

	LCD färg-TV
SU-B550S	KDL-55NX81□*
SU-B460S	KDL-46NX71□*
SU-B400S	KDL-40NX71□*

(Från aug 2010)

\* I modellnamnen anger "□" nummer och tecken som är specifika för varje modell.

### Identifikationsetikettens placering

Etiketten för modellnr. sitter på TV-stativets baksida.

## Kassering av TV-stativet



Kassering av gamla elektriska och elektroniska produkter (tillämpligt inom EU och andra europeiska länder med separata insamlingssystem)

Denna symbol på produkten eller dess förpackning anger att produkten inte får hanteras som hushållsavfall. Den skall i stället lämnas in på en lämplig uppsamlingsplats för återvinning av elektrisk och elektronisk utrustning. Genom att säkerställa att produkten kasseras på rätt sätt bidrar du till att förebygga eventuellt negativa miljö- och hälsoeffekter som kan uppstå om produkten kasseras som vanligt avfall. Återvinning av material hjälper till att bibehålla naturens resurser. För mer information om återvinning av denna produkt, kontakta de lokala myndigheterna, ortens sophämtningstjänst eller affären där du köpte produkten.

## VARNING!

Om följande säkerhetsföreskrifter inte följs kan det leda till allvarliga personskador eller i värsta fall dödsfall som följd av brand, elskador, att produkten välter eller faller ned.

## Se till att vidta försiktighetsåtgärder för att förhindra att TV-stativet välter.

Om du inte gör det kan TV-apparaten välta och orsaka personskador.

Förankra TV-stativet och hyllan, etc., så att de inte kan välta.

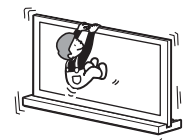
## Placera TV-stativet på en stabil yta.

Om du placerar TV-stativet på en instabil yta kan det helt plötsligt förskjuta tyngdpunkten och tippa eller falla. Detta kan orsaka person- eller egendomsskada.



## Luta eller häng dig aldrig på TV-apparaten medan den sitter monterad på TV-stativet.

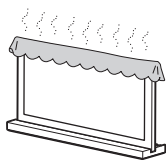
TV-stativet kan välta, eller så kan TV-apparaten falla i golvet och orsaka allvarliga skador eller i värsta fall dödsfall.



## Täck inte för TV-apparatens ventilationshål.

Ventilationsöppningarna i TV-apparaten är nödvändiga för att säkerställa en tillförlitlig funktion och för att skydda den från att överhettas.

- Täck inte över ventilationsöppningarna med tyg eller annat material.
- Låt aldrig vätska eller fasta föremål komma i kontakt med ventilationsöppningarna.



## Placera inte vätskefyllda föremål, exempelvis vaser eller krukor, på TV-apparaten.

## Använd inte en strömförsörjd TV nära vatten, exempelvis vid ett badkar, en tvättho, en diskbänk, en våt yta eller i närheten av en simbassäng.

## Placera inte TV-apparaten där den utsätts för extrema temperaturer, exempelvis i direkt solljus, nära ett element eller ett värmeutsläpp.

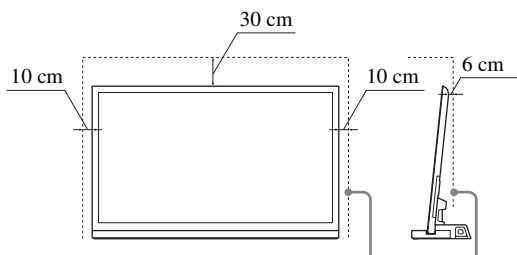
TV-apparaten kan överhettas i sådana fall vilket kan ge upphov till deformation av dess ytterhölje och/eller fel på TV-apparaten.

## Placera inte TV-apparaten på platser där den utsätts för direktluft från luftkonditioneringen.

Fukt kan bildas inne i TV-apparaten vilket kan medföra att den slutar fungera.

## Se till att det finns tillräckligt med utrymme runt TV-apparaten så att luften kan cirkulera ordentligt.

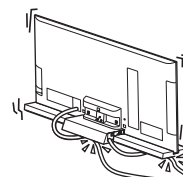
Lämna tillräckligt med utrymme runt TV:n enligt nedan.



Lämna minst så här mycket fritt utrymme runt TV:n.

## Nätkabel

- Använd bara medföljande nätkablar från Sony, d.v.s. inte nätkablar av annat märke.
- Se till att varken nätkabeln eller anslutningskabeln kommer i kläm när du monterar TV-apparaten på TV-stativet. Om nätkabeln eller anslutningskabeln skadas kan det leda till brand eller stötar.
- Se upp så att du inte trampar på nätkabeln eller anslutningskabeln när du bär TV-stativet. Nätkabeln eller anslutningskabeln kan skadas vilket kan leda till brand eller stötar.
- Om du snubblar på nätkabeln eller anslutningskabeln kan TV-stativet välta och orsaka skador.
- Dra ur nätkabeln ur vägguttaget för att göra TV-stativet strömlöst.



## OBSERVERA FÖR NÄTADAPTER

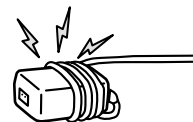
### Varning

Utsätt inte enheten för regn eller fukt, för att undvika risk för brand och elektriska stötar.

Att placera kärl med vätska, t.ex. blomvaser, på enheten medför risk för elektriska stötar och fara för brand.

Placera inte denna utrustning där utrymmet runt den är begränsat, t.ex. i en bokhylla eller motsvarande.

- Kontrollera att det finns ett eluttag nära utrustningen och att det är lätt att nå.
- Använd medföljande nätadapter och nätkabel.
- Använd ingen annan nätadapter. Detta kan orsaka funktionsfel.
- Anslut nätadaptern till ett lättåtkomligt eluttag.
- Linda inte nätkabeln runt nätadaptern. Kärnan kan gå sönder och/eller kan det orsaka störningar på TV:n.
- Rör inte nätadaptern med våta händer.
- Om du märker något konstigt med nätadaptern, koppla genast loss den från eluttaget.
- Enheten är inte bortkopplad från elnätet så länge nätkabeln sitter i ett eluttag, även om du har slagit av strömmen på själva enheten.



## VAR FÖRSIKTIG

Om du inte följer följande säkerhetsföreskrifter finns det risk för personskador eller skador på egendom.

## Installera inte några andra enheter än den specificerade produkten.

Detta TV-stativ är enbart tillverkat för att användas med de produkter som finns angivna. Om du använder det för montering av andra produkter kan det lossna eller gå sönder och orsaka skador. Illustrationerna i denna bruksanvisning visar KDL-46NX71□, såvida annat inte anges.

## Se till att förankra TV-apparaten.

Skruva fast TV-apparaten i TV-stativet med medföljande skruvar. Om inte TV-apparaten skruvas fast ordentligt kan den falla i golvet eller så kan TV-stativet välta och orsaka skador.

---

## Att notera vid installation

Se till att du inte placerar TV-stativet snett eller så att det lutar åt något håll. Du undviker detta genom att följa följande säkerhetsföreskrifter.

Om du ska placera TV-stativet på en mjuk yta som en matta eller liknande bör du placera en skiva på mattan först.

- Placera inte TV-stativet på en plats där det utsätts för direkt solljus eller i närheten av ett värmeelement.
- Placera inte TV-stativet på en varm eller fuktig plats, inte heller utomhus.

---

## Notering om användning

### Rengöring

Håll TV-stativet rent genom att då och då torka av det med en mjuk, torr duk. Envisa fläckar får du bort genom att använda en mjuk duk lätt fuktad med en mild tvållösning. Torka området ordentligt efteråt med en torr, mjuk trasa. Använd inga kemikalier som t.ex. thinner eller bensin eftersom de kan skada TV-stativets ytbehandling.

---

## Se till att minst två personer hjälps åt att utföra installationsarbetet.

Se till att minst två personer installerar TV-apparaten på TV-stativet. Om du försöker utföra installationen ensam kan det leda till en olycka eller skador.

## Modifiera inte TV-stativet.

Det kan välta och orsaka skador.

## Se till att monteringen av TV-apparaten utförs enligt instruktionerna.

Skruva åt skruvarna ordentligt. Om inte monteringen görs på rätt sätt kan TV-apparaten falla av och orsaka skador.

## Se upp så att du inte skadar händer eller fingrar när du utför installationen.

- Flytta inte TV-stativet genom att hålla i det bakre fästet.
- Var försiktig så att du inte skadar dina fingrar eller händer när du installerar TV-apparaten.

# SÄKERHETS- FÖRESKRIFTER

## På strömkällor

- Om du inte ska använda TV-stativet under en längre tid bör du dra ur nätkabeln ur vägguttaget. Se till att dra i kontakten och inte i sladden när nätkabeln dras ur.
- Nätkabeln får endast bytas av en behörig person.

## Vid användning

Innan du ansluter andra komponenter bör du stänga av och koppla ur TV-stativet.

---

## Copyrightskydd

Detta TV-stativ innehåller Dolby\* Digital och Pro Logic Surround samt DTS\*\* Digital Surround System.

\* Tillverkade under licens från Dolby Laboratories. Dolby, Pro Logic. Symbolen med dubbel-D är ett varumärke som ägs av Dolby Laboratories.

\*\* Tillverkad under licens enligt U.S. Patent #: 5 451 942; 5 956 674; 5 974 380; 5 978 762; 6 487 535 samt andra U.S. och världsomspännande patent som är utfärdade och som är under behandling. DTS och Symbolen är registrerade varumärken och logotyperna DTS Digital Surround och DTS är varumärken som ägs av DTS, Inc. Product och som även innefattar programvara. © DTS, Inc. Med ensamrätt.

Detta TV-stativ innehåller en HDMI™-teknik (High-Definition Multimedia Interface).

HDMI, logotypen HDMI Logo, samt High-Definition Multimedia Interface är varumärken eller registrerade varumärken som ägs av HDMI Licensing LLC i USA och i andra länder.

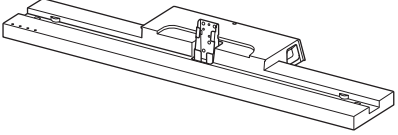
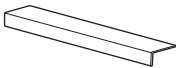
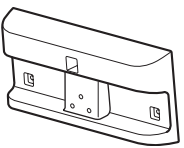
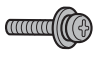

”BRAVIA” är ett varumärke som ägs av Sony Corporation.



### Observera vid uppackning av TV-stativet ur förpackningen

Se till att hålla i TV-stativet och hantera det varsamt.

## Steg 1: Kontrollera delarna

Delens namn	Antal
Stativ 	1
Bakdel* 	2
Mellandel 	1
Skruv för TV-stativets fäste (PSW5 × 16) svart (× 3) Skruv för mellandel (PSW5 × 16) svart (× 3) 	6
Nätadapter	
Nätkabel	
High Speed HDMI-kabel	1
Kabelhållare 	1
Bruksanvisning	1
Garantikort	

\* Endast för modellen SU-B550S.

### VARNING!

Om nätkabeln kläms under utrustningen eller mellan delar av utrustningen kan det leda till kortslutning eller elstötar. Om du snubblar på nätkabeln eller anslutningskabeln kan TV-stativet välta och orsaka skador.

### Bestäm var TV-stativet ska stå och lägg det ned innan du monterar TV-apparaten.

Eftersom TV-apparaten är väldigt tung rekommenderar vi att du först bestämmer var den ska stå och sedan monterar TV-stativet på plats.

Se den bruksanvisning som följde med din TV-apparat för information om hur du tar bort bordsstativet från TV-apparaten.

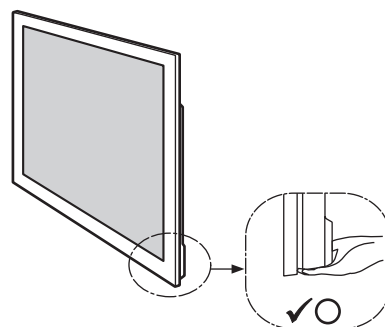
## Steg 2: Montera TV-apparaten

### Före monteringen

- Se till att ha en stjärnmejsel med Phillips-grepp (PH-stjärnmejsel) som passar skruvarna innan monteringen påbörjas.
- Om du använder en elektrisk skruvdragare ställer du vridmomentet på ungefär 1,5 N·m { 15 kgf·cm }.

### 1 Håll i TV-apparaten i markerade punkter när du flyttar den.

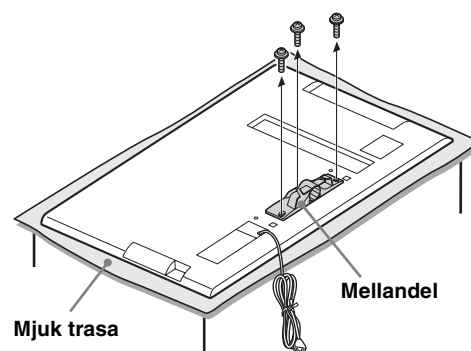
Se till att hålla TV-apparaten som visas:



- Håll TV-apparaten som visas på illustrationen ovan när den bärs. Belasta inte LCD-skärmen eller ramen runt skärmen.

### 2 Lossa skruvarna från mellandelen på TV-apparatens baksida.

Skjut mellandelen nedåt för att lossa den.



- Se till att behålla de skruvar som du lossade.
- När du lossar ett bordsstativ från skärmen bör du lägga ner skärmen på ett bord som är större än skärmen.
- Lägg en mjuk filt eller liknande på bordet för att förhindra att skärmens yta skadas.

(Fortsättning)

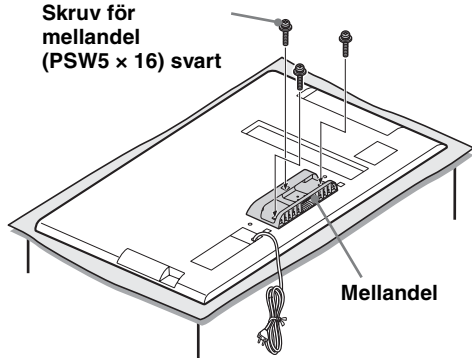
#### VAR FÖRSIKTIG

- Undvik att lägga press på eller stöta emot skärmens yta eftersom den då kan skadas.
- Placera skärmen på bordet med bordsstativet hängande utanför bordskanten.  
Om du placerar skärmen med bordsstativet uppe på bordet kommer skärmen att ligga instabilt vilket kan medföra att den skadas.

### 3 Montera den medföljande mellandelen på TV-apparatens baksida med hjälp av tre svarta skruvar (PSW5 × 16) (medföljer).

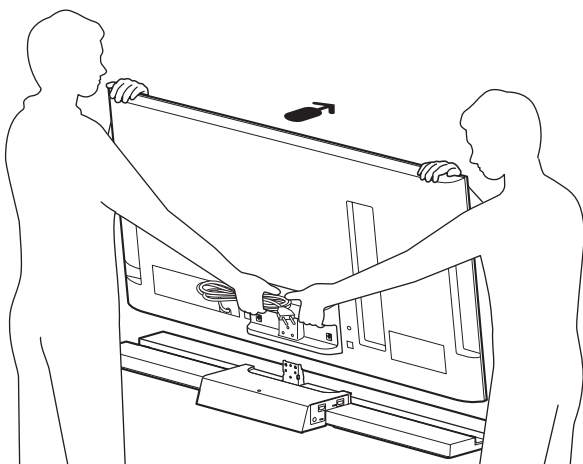
Tryck mellandelen uppåt så att den fästs.

Skruv för mellandel  
(PSW5 × 16) svart



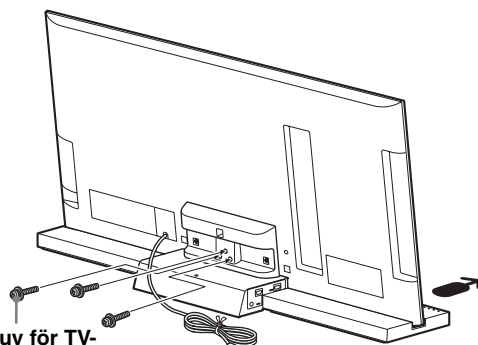
### 4 Installera TV-apparaten på TV-stativet.

TV-apparaten monteras genom att placera den i avsett spår på TV-stativet.



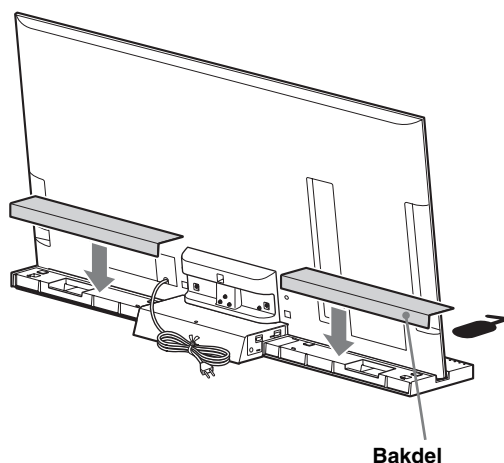
← Pilen pekar framåt på TV-stativet.

### 5 Skruva fast TV-apparaten i TV-stativet med de tre svarta skruvarna för TV-stativets fäste (PSW5 × 16) (medföljer).

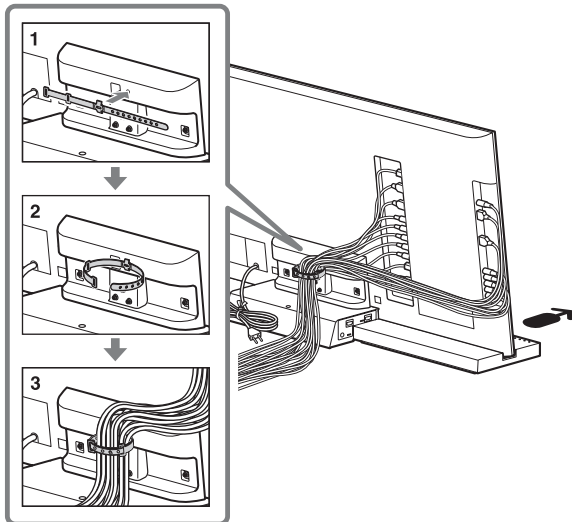


Skruv för TV-stativets fäste  
(PSW5 × 16) svart

### 6 Montera bakdelen på TV-stativet. (Endast för modellen SU-B550S.)



## 7 Samling av kablarna.

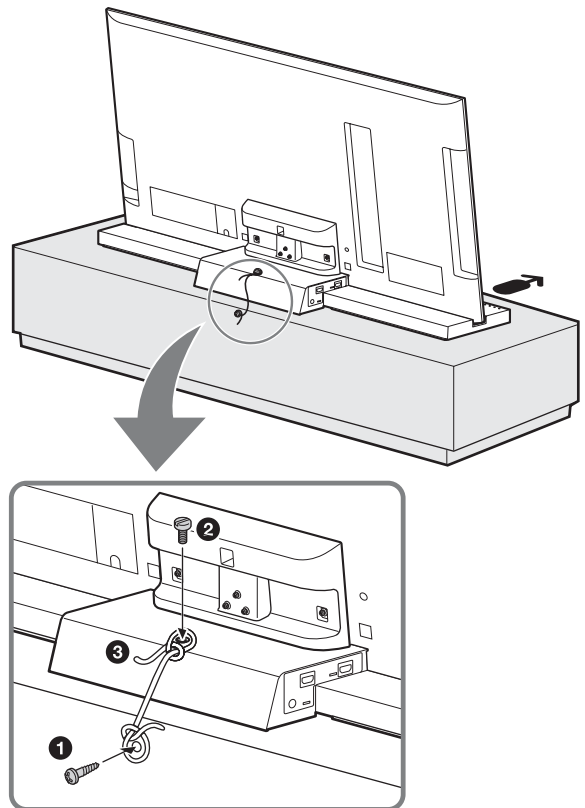


- Samla inte ihop nätkabeln tillsammans med övriga kablar.

## Steg 3: Försiktighetsåtgärder för att förhindra vältning

### VARNING!

Se till att vidta försiktighetsåtgärder för att förhindra att TV-stativet välter och orsakar skador eller faror.



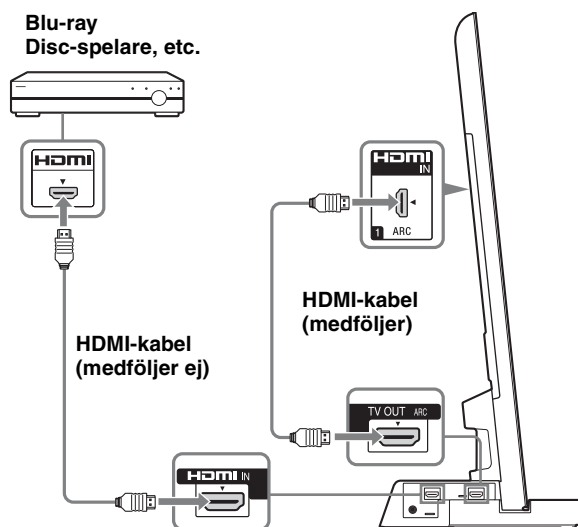
- 1 Dra fast en träskruv (4 mm diameter, medföljer ej) i skivan.
- 2 Dra fast en maskinskruv (M4 × 16, medföljer ej) i skruvhålet på TV-stativet.
- 3 Förbind träskruven och maskinskraven med ett kraftigt band (medföljer ej).



## Steg 4: Ansluta TV och spelare

### Anslut TV-apparaten med en HDMI-kontakt till TV-stativet med en HDMI-kabel.

Genom att ansluta Sony "BRAVIA" Sync-kompatibla komponenter med HDMI-kablar, kan hanteringen förenklas när du ställer in funktionen Kontroll för HDMI på TV-apparaten.



- TV-stativet är kompatibelt med funktionen Audio Return Channel (ARC). Om du ansluter TV-stativet till en ARC-kompatibel TV-apparats HDMI-kontakt med en HDMI-kabel, behöver du inte ansluta TV-apparaten till TV-stativet med den digitala optiska kabeln.
- Du kan se bokstäverna "ARC" bredvid TV-apparatens HDMI-kontakt om den är kompatibel med ARC-funktionen. Även om du ansluter en HDMI-kabel till kontakten kan du inte använda ARC-funktionen om HDMI-kontakten inte är kompatibel med ARC-funktionen.
- ARC-funktionen finns bara tillgänglig när funktionen Kontroll för HDMI är aktiverad.



- Även om TV-stativet är avstängt (aktivt standby-läge), kommer HDMI-signalen att sändas från den anslutna komponenten till TV-apparaten via HDMI-anslutningen. Du kan se bilder och höra ljud från komponenten på TV-apparaten.

#### Att observera vid HDMI-anslutningar

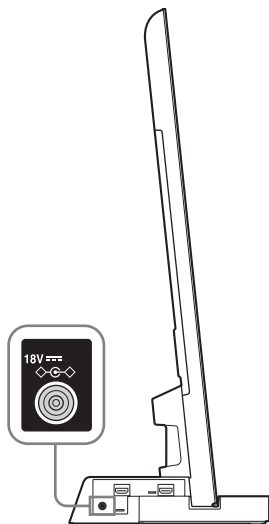
- Använd en High Speed HDMI-kabel. Om du använder en Standard HDMI-kabel kan det inträffa att 1080p, Deep Colour eller 3D-bilder inte visas på rätt sätt.
- Vi rekommenderar att du använder en HDMI-auktoriserad kabel.
- Kontrollera inställningen på den anslutna komponenten om bilden är dålig eller om ljudet inte hörs från den anslutna komponenten som är ansluten via HDMI-kabeln.

- Audiosignaler (samplingfrekvens, bitlängd, etc.) som skickas från en HDMI-kontakt kan dämpas av den anslutna komponenten.
- Ljuduppspelningen kan stoppa när samplingfrekvensen eller antal kanaler på ljudsignaler av uppspelningen från komponenten ändras.
- När den anslutna komponenten inte är kompatibel med copyright-skyddet (HDCP), kan bilden och/eller ljudet från kontakten HDMI TV OUT störas eller inte matas ut alls. Kontrollera då specifikationen på den anslutna komponenten.
- Vi rekommenderar inte att du använder en HDMI-DVI konverteringskabel.
- Detta system har stöd för Deep Colour, "x.v.Colour" samt 3D-sändning.



## Steg 5: Ansluta nätkabeln

Innan du ansluter nätkabeln från TV-stativet till ett vägguttag bör du ansluta alla andra komponenter och TV-apparaten till TV-stativet.



- Anslut TV-stativet till ett lämpligt vägguttag. Om du upptäcker att någonting inte fungerar som det ska på TV-stativet bör du omedelbart dra ur kontakten ur vägguttaget.

## Steg 6: Utföra TV- inställningarna

### ❶ Ställ in på "På" i funktionen "Kontroll för HDMI".

Tryck på HOME på TV:ns fjärrkontroll, och välj meny enligt följande;

🗑️ Inställningar > 📺 Ext. ingångar > HDMI-inställningar > Kontroll för HDMI > På

### ❷ Ställ in på "Ljudanläggning" i menyn "Högtalare".

Tryck på HOME på TV:ns fjärrkontroll, och välj meny enligt följande;

🗑️ Inställningar > 🔊 Ljud > Högtalare > Ljudanläggning



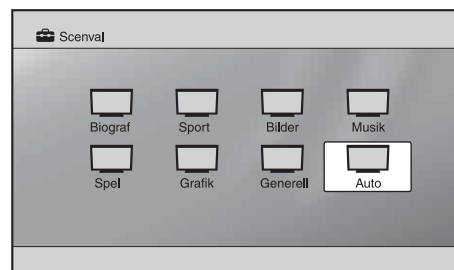
- När inställningarna för procedur ❶ och ❷ är klara, kommer **I** strömindikatorn lysa i grönt.



### • Scenvalsläge

Detta TV-stativ är automatiskt synkroniserat med inställningarna för TV-ljudet och fungerar tillsammans med funktionen Scenval så att du kan välja önskat ljud för den valda scenen.

Ändra inställningarna för TV-ljudet för att ändra ljudet.



Innan du använder detta läge bör du kontrollera att följande inställningar är gjorda på TV-apparaten.

# Felsökning

## Ljud

Inget ljud:

- Kontrollera anslutningarna för HDMI-kabeln.
- Kontrollera inställningarna för "Kontroll för HDMI" och "Ljudanläggning" i Steg 6 (sidan 9).

Använda med hörlurar:

- Ändra "Ljudanläggning" till "TV-högtalare" i inställningen "Högtalare".

Användning av ljudkanalsval vid digital TV-sändning:

- Beroende på sändningen kan ljudet inte ändras. Ändra inställningen "Optisk utsignal" för TV:n från "Auto" till "PCM".

Användning av extern utrustning för ljudkanalsval:

- Om ljudet inte kan ställas om, ändra inställningarna för ljudutgången på den externa utrustningen så att PCM aktiveras.

## Indikering

Även om TV-apparaten är på, lyser inte indikeringen

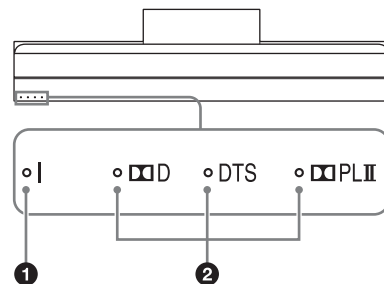
**I** (power) på TV-stativet:

- Kontrollera att nätkabeln sitter i ordentligt.
- Kontakta kundsupport.

Blinkande **I** (power) röd indikering:

- Ett fel har uppstått med denna produkt. Kontrollera hur många gånger som indikeringen blinkar och kontakta sedan Sony servicecenter.

# Indikering



## 1 I (power)-indikering

Lyser enligt följande:

Grön: Strömmen är på till TV-stativet.  
("Ljudanläggning" är inställd på "Högtalare.")

Släckt: TV-stativet är avstängt eller står i standby-läge.

## 2 Indikeringar för ljudformat

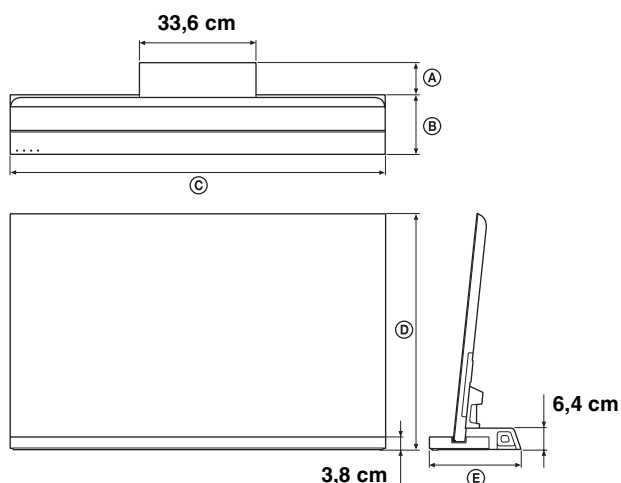
Lyser enligt det ljudformat som matas in till TV-stativet.

**D**: Dolby Digital

DTS

**PLII**: Dolby Pro Logic II

# Specifikationer



		SU-B550S	SU-B460S	SU-B400S
Mått: cm	Ⓐ	8,1	9,3	10
	Ⓑ	20	17,2	16,1
	Ⓒ	127,6	108,3	94,4
	Ⓓ	79,3	68,4	60,6
	Ⓔ	28,1	26,5	26,1
Stativets vikt:		5,8 kg	5,4 kg	5,1 kg

## Förstärkardel

### Märkuteffekt

Fram: 10 W + 10 W, (per kanal)  
12 ohm, 1 kHz, THD mindre än 1 %  
Subwoofer: 20 W, 6 ohm, 100 Hz,  
THD mindre än 1 %

## HDMI-del

### Kontakt

HDMI™-kontakt

### Video ingångar/ utgångar

640 × 480p@60 Hz  
720 × 480p@59,94/60 Hz  
1280 × 720p@59,94/60 Hz  
1920 × 1080i@59,94/60 Hz  
1920 × 1080p@59,94/60 Hz  
720 × 576p@50 Hz  
1280 × 720p@50 Hz  
1920 × 1080i@50 Hz  
1920 × 1080p@50 Hz  
1920 × 1080p@24 Hz  
Deep Colour: 30bit/36bit

### Video ingångar/ utgångar (3D)

1280 × 720p@59,94/60 Hz  
Frame packing  
1920 × 1080i@59,94/60 Hz  
Frame packing  
1920 × 1080i@59,94/60 Hz  
Sida-vid-Sida (Halv)  
1920 × 1080p@59,94/60 Hz  
Sida-vid-Sida (Halv)  
1280 × 720p@50 Hz  
Frame packing  
1920 × 1080i@50 Hz  
Frame packing  
1920 × 1080i@50 Hz  
Sida-vid-Sida (Halv)  
1920 × 1080p@50 Hz  
Sida-vid-Sida (Halv)  
1920 × 1080p@24 Hz  
Frame packing  
Deep Colour: 30bit/36bit  
Linjär PCM 7.1kan./  
Dolby Digital/DTS

### Ljudingångar

## Högtalare

### Främre högtalarenhet

Högtalarsystem 2-vägs 3 element, basreflex typ  
Högtalarenhet Woofer: 30 × 82 mm kontyp × 2  
Diskant: 14 mm kontyp

### Subwoofer-enhet

Högtalarsystem Subwoofer, Basreflex typ  
Högtalarenhet 70 mm kontyp

## Allmänt

Strömförsörjning 100 – 240 V, 50/60 Hz

Strömförbrukning

På: 12 W

Standby: 0,7 W

- Standby strömförbrukning: 0,7 W
- Flamhämmande medel av halogen används inte i vissa kretskort.
- Mer än 85 % strömeffektivitet på förstärkarblocket erhålls med en helt digital förstärkare, S-Master.

Design och specifikationer kan ändras utan föregående meddelande.

## Bezpieczeństwo

Dziękujemy za zakup niniejszego produktu. Produkty firmy Sony są zaprojektowane z myślą o bezpieczeństwie użytkownika. Nieprawidłowe użytkowanie produktu może spowodować poważne uszkodzenia ciała w wyniku pożaru, porażenia prądem elektrycznym, przewrócenia lub upadku produktu. Należy przestrzegać zasad bezpieczeństwa w celu uniknięcia wypadków.

Niniejszy podręcznik zawiera informacje na temat prawidłowej obsługi produktu oraz istotnych środków ostrożności pozwalających uniknąć wypadków. Należy uważnie przeczytać niniejszy podręcznik i prawidłowo użytkować produkt. Należy zachować podręcznik na przyszłość.

Producentem tego produktu jest Sony Corporation, 1-7-1 Konan Minato-ku Tokyo, 108-0075 Japonia. Upoważnionym przedstawicielem producenta w Unii Europejskiej, uprawnionym do dokonywania i potwierdzania oceny zgodności z wymaganiami zasadniczymi, jest Sony Deutschland GmbH, Hedelfinger Strasse 61, 70327 Stuttgart, Niemcy. Nadzór nad dystrybucją na terytorium Rzeczypospolitej Polskiej sprawuje Sony Poland, 00-876 Warszawa, ul. Ogrodowa 58. W sprawach serwisowych i gwarancyjnych należy kontaktować się z podmiotami, których adresy podano w osobnych dokumentach gwarancyjnych lub serwisowych, lub z najbliższym sprzedawcą produktów Sony.

## PRZESTROGA

### Określone produkty

Niniejszy stolik został zaprojektowany do użytku z poniższymi produktami firmy Sony. Nie należy mocować na stoliku innych urządzeń niż określone w specyfikacji.

Wymienione poniżej produkty mogą ulec zmianie bez powiadomienia, mogą zostać wyprzedane lub wycofane z produkcji.

Ponadto niektóre modele są sprzedawane jedynie w wybranych regionach.

Telewizor kolorowy LCD	
SU-B550S	KDL-55NX81□*
SU-B460S	KDL-46NX71□*
SU-B400S	KDL-40NX71□*

(Stan na sierpień 2010)

\* Znak „□” w nazwach rzeczywistych modeli wskazuje cyfrę i/lub znaki specyficzne dla danego modelu.

### Lokalizacja etykiety identyfikacyjnej

Etykieta z informacją o numerze modelu znajduje się z tyłu stolika TV.

## Utylizacja stolika TV



Pozbycie się zużytego sprzętu (stosowane w krajach Unii Europejskiej i w pozostałych krajach europejskich stosujących własne systemy zbiórki)

Ten symbol na produkcie lub jego opakowaniu oznacza, że produkt nie może być traktowany jako odpad komunalny, lecz powinno się go dostarczyć do odpowiedniego punktu zbiórki sprzętu elektrycznego i elektronicznego, w celu recyklingu. Odpowiednie zadysponowanie zużytego produktu zapobiega potencjalnym negatywnym wpływom na środowisko oraz zdrowie ludzi, jakie mogłyby wystąpić w przypadku niewłaściwego zagospodarowania odpadów. Recykling materiałów pomoże w ochronie środowiska naturalnego. W celu uzyskania bardziej szczegółowych informacji na temat recyklingu tego produktu, należy skontaktować się z lokalną jednostką samorządu terytorialnego, ze służbami zagospodarowywania odpadów lub ze sklepem, w którym zakupiony został ten produkt.

## OSTRZEŻENIE

Nieprzestrzeżenie poniższych środków ostrożności może prowadzić do poważnych uszkodzeń ciała lub śmierci w wyniku pożaru, porażenia prądem elektrycznym, przewrócenia lub upadku produktu.

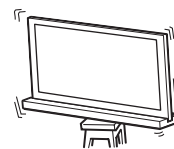
## Należy podjąć odpowiednie środki, aby zapobiec przewróceniu stolika TV.

W przeciwnym razie telewizor może przewrócić się i spowodować obrażenia ciała.

Aby zapobiec przewróceniu się, należy zakotwiczyć stolik TV i stojak itp.

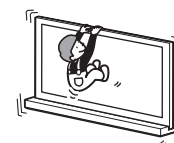
## Stolik TV należy umieścić na stabilnej powierzchni.

Jeśli stolik TV zostanie zainstalowany na niestabilnej powierzchni, może utracić równowagę i przewrócić się lub upaść. Grozi to obrażeniami ciała lub uszkodzeniem własności.



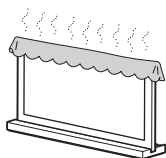
## Nie należy opierać się ani zwieszać się z telewizora po jego zainstalowaniu na stoliku TV.

Stolik TV może przewrócić się lub telewizor może upaść, powodując poważne obrażenia ciała lub śmierć.



## Nie należy zakrywać otworów wentylacyjnych telewizora.

Otwory wentylacyjne telewizora są niezbędne, aby zapewnić niezawodną pracę odbiornika i chronić go przed przegrzaniem.



- Nie wolno blokować otworów wentylacyjnych, ani też zakrywać ich tkaninami lub innymi materiałami.
- Nie wolno pozwolić, aby do otworów wentylacyjnych dostały się płyny lub przedmioty.

## Na telewizorze nie należy stawiać przedmiotów wypełnionych płynem, np. wazonów czy kwiatów doniczkowych.

## Z zasilanego z sieci energetycznej telewizora nie należy korzystać w pobliżu wody, na przykład wanny, zlewu, pralki, w mokrej piwnicy lub obok basenu.

## Telewizora nie należy umieszczać w miejscu wystawionym na wysokie temperatury, na przykład wystawionym na bezpośrednie działanie promieni słonecznych lub w pobliżu grzejnika.

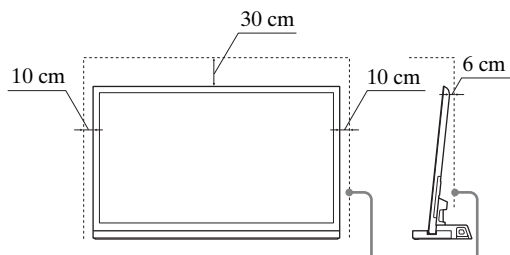
W takich warunkach telewizor może się przegrzać, co może doprowadzić do deformacji jego obudowy i awarii.

## Telewizora nie należy umieszczać w miejscu wystawionym na bezpośrednie działanie klimatyzacji.

Wewnątrz odbiornika może skroplić się wilgoć i spowodować jego uszkodzenie.

## Dookoła telewizora należy zapewnić odpowiednią ilość miejsca, aby umożliwić prawidłowy obieg powietrza.

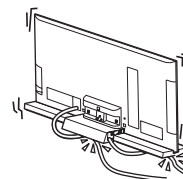
Dookoła telewizora należy zapewnić odpowiednią ilość miejsca, jak pokazano poniżej.



Dookoła odbiornika należy pozostawić co najmniej tyle miejsca.

## Przewód zasilający

- Należy używać jedynie dołączonych przewodów zasilających firmy Sony, a nie przewodów innych marek.
- Podczas instalowania telewizora na stoliku TV należy uważać, by nie przytrzasnąć przewodu zasilającego lub przewodu łączącego. Uszkodzenie przewodu zasilającego lub przewodu łączącego może prowadzić do pożaru lub porażenia prądem elektrycznym.
- Podczas przenoszenia stolika TV należy uważać, by nie nadeptać przewodu zasilającego lub przewodu łączącego. Może to spowodować uszkodzenie przewodu zasilającego lub przewodu łączącego, co może prowadzić do pożaru lub porażenia prądem elektrycznym.
- Potknięcie się o przewód zasilający lub przewód łączący grozi przewróceniem stolika TV i w konsekwencji obrażeniami ciała.
- Wyjęcie przewodu zasilającego z gniazda ściennego spowoduje całkowite odłączenie stolika TV od zasilania.



## UWAGI ODNOŚNIE ZASILACZA SIECIOWEGO

### Ostrzeżenie

Aby ograniczyć niebezpieczeństwo pożaru lub porażenia prądem elektrycznym, nie należy narażać urządzenia na działanie deszczu lub wilgoci.

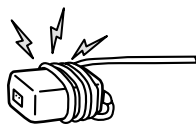
Aby zapobiec niebezpieczeństwu powstania pożaru lub porażenia prądem elektrycznym, na urządzeniu nie należy kłaść przedmiotów wypełnionych wodą, np. wazonów.

Urządzenia nie należy instalować w miejscach o ograniczonej przestrzeni, takich jak półki na książki itp.

- Gniazdo zasilania powinno znajdować się w pobliżu urządzenia i być łatwo dostępne.
- Należy używać dołączonego zasilacza sieciowego i przewodu zasilającego.

(Ciąg dalszy)

- Nie należy używać żadnych innych zasilaczy. Może to spowodować awarię.
- Zasilacz sieciowy należy podłączyć do łatwo dostępnego gniazda zasilania.
- Przewodu zasilającego nie wolno owijać dookoła zasilacza sieciowego. Przewód może ulec przecięciu lub spowodować nieprawidłowe działanie telewizora.
- Zasilacza nie wolno dotykać mokrymi rękami.
- W razie zauważenia nieprawidłowej pracy zasilacza sieciowego należy natychmiast odłączyć od gniazda zasilania.
- Odbiornik pozostaje podłączony do źródła zasilania sieciowego, dopóki wtyczka przewodu zasilającego nie zostanie wyjęta z gniazda sieciowego, nawet jeśli sam odbiornik jest wyłączony.



## PRZESTROGA

Nieprzestrzeganie poniższych zasad bezpieczeństwa może spowodować obrażenia ciała lub szkody materialne.

### Nie należy instalować na stoliku innych urządzeń niż określone w specyfikacji.

Niniejszy stolik TV został zaprojektowany do użytku tylko z określonymi produktami. Instalacja urządzeń innych niż określone w specyfikacji może spowodować upadek i obrażenia ciała lub szkody materialne. Ilustracje użyte w tym podręczniku przedstawiają telewizor KDL-46NX71□, chyba że stwierdzono inaczej.

### Należy pamiętać o przymocowaniu telewizora.

Telewizor należy przymocować do stolika TV przy użyciu dostarczonych śrub. Jeśli telewizor nie zostanie zainstalowany bezpiecznie, może to spowodować przewrócenie się stolika TV i obrażenia ciała.

### Uwagi dotyczące instalowania

Nie należy instalować stolika TV pod kątem lub na nachylonej powierzchni. Aby tego uniknąć, należy przestrzegać następujących zasad bezpieczeństwa. Jeśli stolik TV jest instalowany na miękkiej powierzchni, takiej mata lub dywan, należy najpierw umieścić płytę w wybranym miejscu.

- Stolika TV nie należy instalować w miejscu wystawionym na bezpośrednie działanie promieni słonecznych lub w pobliżu grzejnika.
- Stolika TV nie należy instalować w gorącym lub wilgotnym miejscu, ani na zewnątrz.

## Uwaga dotycząca użycia

### Czyszczenie

Aby zachować czystość stolika TV, należy od czasu do czasu przetrzeć go suchą, miękką ściereczką. Uporczywe zabrudzenia można usunąć, przecierając stolik ściereczką lekko zwilżoną wodą z delikatnym mydłem. Następnie należy wysuszyć odpowiednie miejsce suchą, miękką ściereczką. Nie należy używać środków chemicznych, takich jak rozpuszczalnik lub benzyna, ponieważ mogą one uszkodzić wykończenie stolika TV.

### Prace instalacyjne powinny przeprowadzać co najmniej dwie osoby.

Telewizor lub stolik TV powinien być instalowany przez co najmniej dwie osoby. Wykonywanie prac instalacyjnych przez tylko jedną osobę grozi wypadkiem lub obrażeniami ciała.

### Podstawy telewizora nie należy modyfikować.

Może ona przewrócić się i spowodować obrażenia ciała.

### Telewizor należy przymocować bezpiecznie zgodnie z instrukcjami.

Odpowiednio dokręcić wkręty. Jeśli telewizor nie zostanie zainstalowany bezpiecznie, może to spowodować jego upadek i obrażenia ciała.

### Należy uważać, aby nie zranić rąk lub palców podczas montażu.

- Stolika TV nie należy przenosić, przytrzymując go za kołnierz.
- Zachować ostrożność, aby przy instalowaniu telewizora nie skaleczyć sobie rąk lub palców.

## ŚRODKI OSTROŻNOŚCI

### Źródła zasilania

- Jeżeli stolik TV nie będzie używany przez dłuższy czas, należy odłączyć go od gniazda ściennego (sieci elektrycznej). Aby odłączyć przewód zasilający, należy pociągnąć za wtyczkę, a nie za przewód.
- Przewód zasilający może zostać wymieniony jedynie przez wykwalifikowany personel serwisu.

### Eksplatacja

Przed podłączeniem innych komponentów należy wyłączyć stolik TV i odłączyć go od sieci.

---

## Prawa autorskie

Stolik TV wykorzystuje systemy Dolby\* Digital, Pro Logic Surround oraz DTS\*\* Digital Surround System.

\* Wyprodukowano na licencji Dolby Laboratories.

Dolby, Pro Logic i symbol podwójnego D są znakami towarowymi firmy Dolby Laboratories.

\*\* Wyprodukowano na licencji obejmującej zarejestrowane w Stanach Zjednoczonych patenty o numerach:

5 451 942, 5 956 674, 5 974 380, 5 978 762, 6 487 535 oraz

inne patenty zarejestrowane i zgłoszone w Stanach

Zjednoczonych oraz międzynarodowe. DTS i Symbol są

zarejestrowanymi znakami towarowymi, zaś logo DTS i

DTS Digital Surround są znakami towarowymi firmy DTS,

Inc. Produkt zawiera oprogramowanie. © DTS, Inc.

Wszelkie prawa zastrzeżone.

W stoliku TV wykorzystano technologię High-Definition Multimedia Interface (HDMI™).

HDMI, logo HDMI oraz High-Definition Multimedia Interface są znakami towarowymi lub zastrzeżonymi znakami towarowymi firmy HDMI Licensing LLC w Stanach Zjednoczonych i innych krajach.

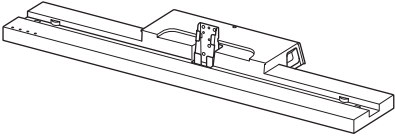
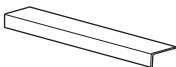
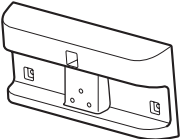


„BRAVIA” jest znakiem towarowym firmy Sony Corporation.



### Uwaga dotycząca wyjmowania podstawy telewizora z kartonu

Należy zwrócić uwagę, aby podstawę telewizora chwytać mocno i obchodzić się z nią ostrożnie.

## Krok 1: Sprawdzenie części

Nazwa	Ilość
Stolik 	1
Oslona tylna* 	2
Łącznik 	1
Wkręt mocujący kołnierz stolika TV (PSW5 × 16) czarny (× 3) Wkręt łącznika (PSW5 × 16) czarny (× 3) 	6
Zasilacz sieciowy	
Przewód zasilający	
Kabel HDMI High Speed	1
Uchwyt kabli 	1
Instrukcja obsługi	1
Karta gwarancyjna	

\* Tylko w modelu SU-B550S.

### OSTRZEŻENIE

Przytrzaśnięcie przewodu zasilającego pod lub między częściami urządzenia może spowodować zwarcie lub porażenie prądem elektrycznym. Potknięcie się o przewód zasilający lub przewód łączący grozi przewróceniem stolika TV i w konsekwencji obrażeniami ciała.

### Przed zainstalowaniem telewizora należy wybrać miejsce instalacji i umieścić tam stolik TV.

Ponieważ telewizor jest ciężki, zaleca się wcześniejsze wybranie miejsca instalacji, a następnie zmontowanie stolika TV w tym miejscu.

Informacje na temat demontażu podstawy od telewizora można znaleźć w instrukcji obsługi dołączonej do telewizora.

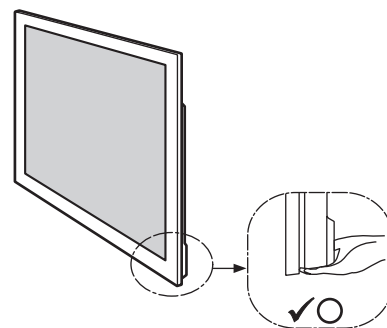
## Krok 2: Instalowanie telewizora

### Przed rozpoczęciem montażu

- Przed przystąpieniem do instalacji należy przygotować odpowiedni wkrętak krzyżowy pasujący do wskazanych wkrętów.
- W przypadku korzystania z mechanicznego wkrętaka z napędem elektrycznym, moment dokręcania należy ustawić na 1,5 N·m {15 kgf·cm}.

### 1 Podczas przenoszenia przytrzymać telewizor w określonym miejscu.

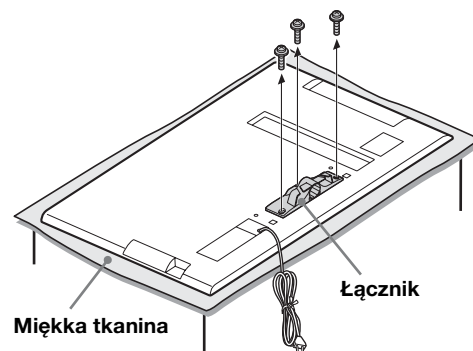
Telewizor należy trzymać w pokazany sposób:



- Podczas przenoszenia telewizora należy trzymać go w sposób pokazany powyżej. Nie należy przyciskać panelu LCD ani ramki wokół ekranu.

### 2 Wykręcić wkręty z łącznika z tyłu telewizora.

Aby zdemontować łącznik, należy wysunąć go do dołu.



- Należy pamiętać, aby zachować wykręcone wkręty.
- Odłączając wyświetlacz od podstawy, należy położyć go ekranem do dołu na większej od niego stabilnej powierzchni roboczej.
- Aby zapobiec uszkodzeniu ekranu LCD, należy rozłożyć na powierzchni roboczej miękką tkaninę.

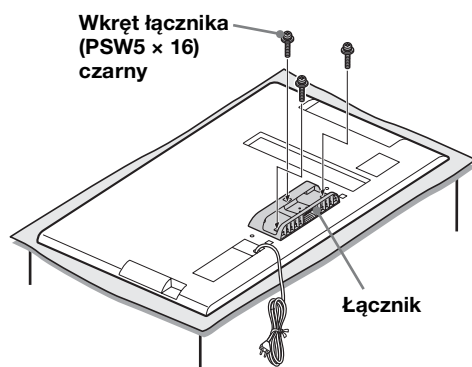


## PRZESTROGA

- W przypadku silnego nacisku lub uderzenia powierzchni ekranu LCD może on pęknąć lub ulec uszkodzeniu.
- Telewizor należy umieścić ekranem do dołu na stabilnej i równej powierzchni, tak aby podstawa znajdowała się poza jej krawędzią. Gdyby ekran i podstawa znajdowały się na tym samym poziomie, powierzchnia robocza byłaby niestabilna, co mogłoby doprowadzić do uszkodzenia ekranu.

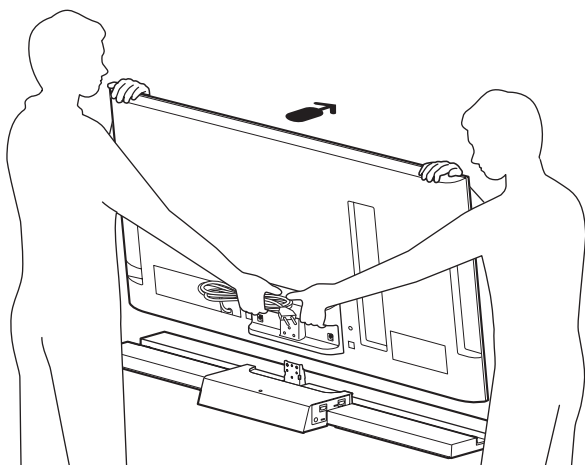
### 3 Dostarczony łącznik należy przykręcić do tyłu telewizora przy użyciu trzech czarnych wkrętów (PSW5 × 16) (w zestawie).

Aby przymocować dostarczony łącznik, należy go przesunąć do góry.

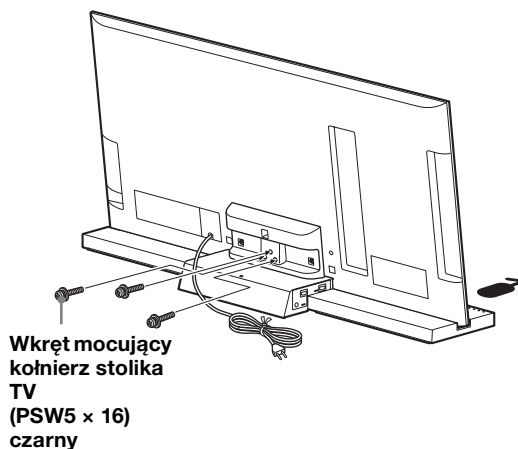


### 4 Zainstalować telewizor na stoliku TV.

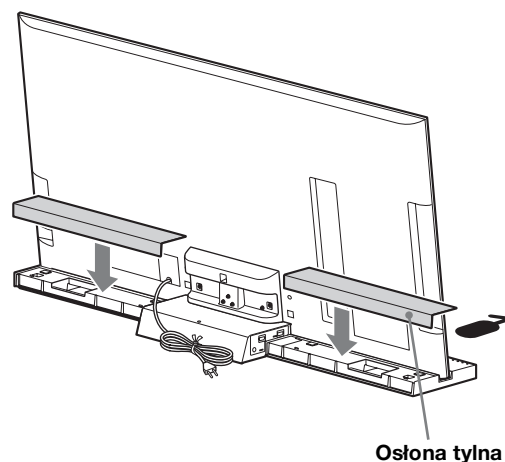
Telewizor jest instalowany poprzez umieszczenie go w rowku na stoliku TV.



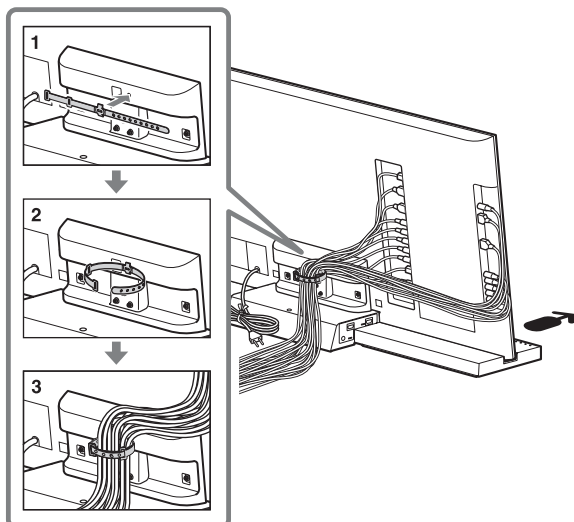
### 5 Przykręcić telewizor do stolika TV przy użyciu trzech czarnych wkrętów mocujących kołnierz stolika TV (PSW5 × 16) (w zestawie).



### 6 Zamocować osłonę tylną do stolika TV. (Tylko w modelu SU-B550S)



## 7 Łączenie kabli w wiązki.

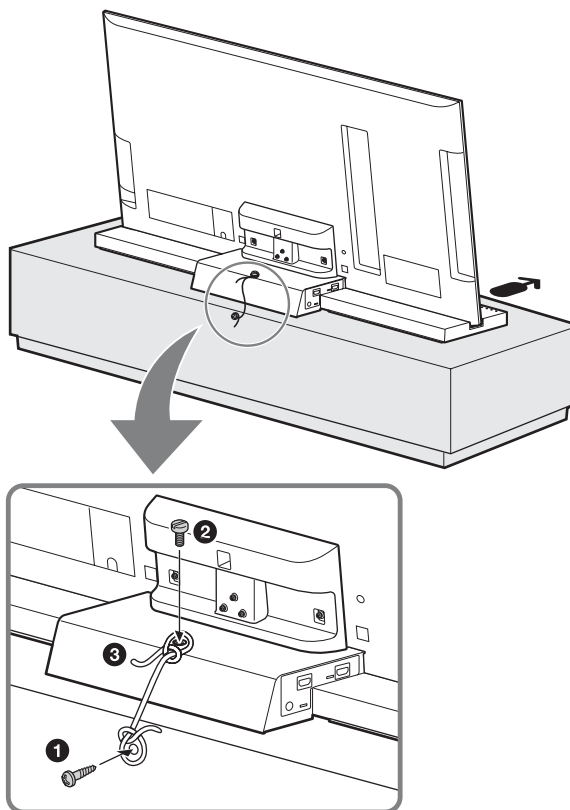


- Przewodu zasilającego nie należy łączyć w wiązki z innymi kablami.

## Krok 3: Środki ostrożności chroniące przed przewróceniem

### OSTRZEŻENIE

Należy podjąć odpowiednie środki, aby zapobiec przewróceniu stolika TV. Przewrócenie stolika może spowodować uszkodzenia ciała i szkody.

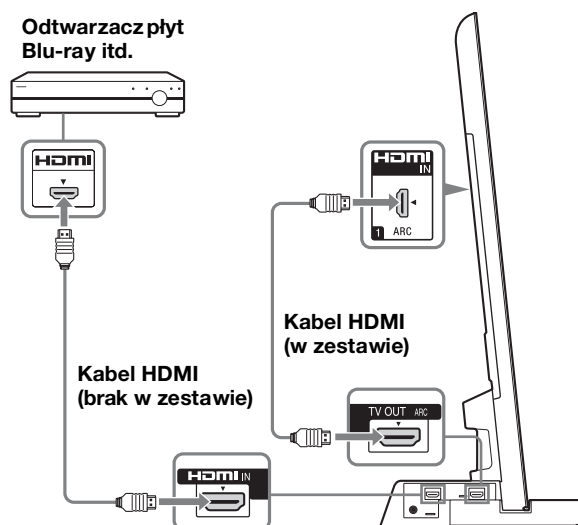


- 1 Wkręcić wkręt do drewna (średnica 4 mm, nie należy do wyposażenia) w płytę.
- 2 Wkręcić śrubę (M4 × 16, nie należy do wyposażenia) w otwór montażowy w stoliku TV.
- 3 Połączyć wkręt do drewna i śrubę za pomocą mocnej linki (nie należy do wyposażenia).

## Krok 4: Podłączanie telewizora i odtwarzacza

### Podłączyć gniazdo HDMI telewizora do stolika TV przy użyciu kabla HDMI.

Podłączając komponenty zgodne z systemem Sony „BRAVIA” Sync przy użyciu kabli HDMI, można uprościć ich obsługę po skonfigurowaniu funkcji Sterowanie przez HDMI w telewizorze.



- Stolik TV jest zgodny z funkcją Audio Return Channel (ARC). Po podłączeniu przy użyciu kabla HDMI stolika TV do zgodnego z funkcją ARC gniazda HDMI nie trzeba podłączać telewizora do stolika TV przy użyciu cyfrowego przewodu optycznego.
- Jeżeli gniazdo HDMI jest zgodne z funkcją ARC, obok gniazda widoczne są litery „ARC”. Nawet po podłączeniu kabla HDMI do gniazda HDMI funkcja ARC będzie niedostępna, jeżeli gniazdo wejścia HDMI nie jest z nią zgodne.
- Funkcja ARC jest dostępna jedynie po włączeniu funkcji Sterowanie przez HDMI.



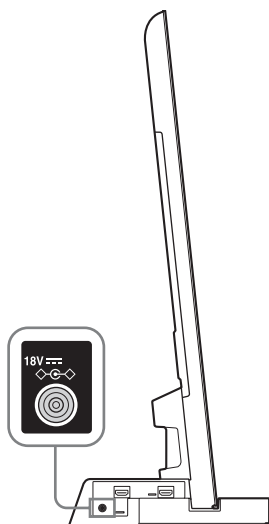
- Nawet po wyłączeniu stolika TV (aktywny tryb czuwania) sygnał HDMI będzie przesyłany z podłączonego komponentu do telewizora przez złącze HDMI. Dźwięk i obraz z komponentu będą odtwarzane przez telewizor.

### Uwagi na temat połączeń HDMI

- Należy używać kabla HDMI High Speed. W przypadku zastosowania kabla HDMI Standard obraz 3D, 1080p lub Deep Colour może nie być wyświetlany poprawnie.
- Zalecamy stosowanie autoryzowanych kabli HDMI.
- Jeżeli obraz jest niskiej jakości lub nie jest odtwarzany dźwięk z komponentu podłączonego kablem HDMI, należy sprawdzić konfigurację podłączonego komponentu.
- Przesyłane z gniazda HDMI sygnały audio (częstotliwość próbkowania, długość bitu itp.) mogą być blokowane przez podłączony komponent.
- Dźwięk może być przerywany przy zmianie częstotliwości próbkowania lub liczby kanałów w sygnale wyjściowym z komponentu odtwarzającego.
- Jeżeli podłączony komponent nie jest zgodny z technologią ochrony praw autorskich (HDCP), obraz i dźwięk z gniazda HDMI TV OUT może być zniekształcony lub niedostępny. Należy wtedy sprawdzić dane techniczne podłączonego komponentu.
- Odradzamy stosowanie konwertera HDMI-DVI.
- Zestaw obsługuje sygnał Deep Colour, „x.v.Colour” i 3D.

## Krok 5: Podłączanie przewodu zasilającego

Przed podłączeniem przewodu zasilającego stolika TV do gniazda ściennego należy podłączyć do stolika TV wszystkie pozostałe komponenty i telewizor.



- Należy podłączyć stolik TV do łatwo dostępnego gniazda sieciowego. W przypadku zauważenia nieprawidłowości w pracy stolika TV należy natychmiast wyjąć wtyczkę zasilania od gniazda sieciowego.

## Krok 6: Określanie ustawień telewizora

### ❶ Ustaw opcję „Wł.” dla funkcji „Sterowanie przez HDMI”.

Naciśnij przycisk HOME na pilocie telewizora i wybierz następujące pozycje menu:

Ustawienia > Wejścia zewnętrzne > Ustawienia HDMI > Sterowanie przez HDMI > Wł.

### ❷ Ustaw opcję „System audio” w menu „Głośniki”.

Naciśnij przycisk HOME na pilocie telewizora i wybierz następujące pozycje menu:

Ustawienia > Dźwięk > Głośniki > System audio



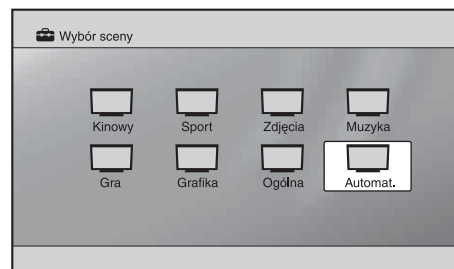
- Po zakończeniu wprowadzania ustawień dla procedury ❶ i ❷ wskaźnik I (zasilanie) zaświeci się na zielono.



### • Tryb Wybór sceny

Stolik TV jest automatycznie synchronizowany z ustawieniami dźwięku telewizora i współpracuje z funkcją Wybór sceny, umożliwiając wybór preferowanego dla danej sceny dźwięku.

Aby zmienić dźwięk, należy zmienić ustawienia dźwięku w telewizorze.



Przed użyciem tego trybu należy skonfigurować następujące ustawienia w telewizorze.

# Rozwiązywanie problemów

## Dźwięk

Brak dźwięku:

- Sprawdzić podłączenie kabla HDMI.
- Sprawdzić ustawienia opcji „Sterowanie przez HDMI” i „System audio” w kroku 6 (strona 10).

Użycie ze słuchawkami:

- Przełączyć opcję „System audio” w ustawieniu „Głośniki” na „Głośnik TV”.

W przypadku korzystania z podwójnego dźwięku z cyfrowej transmisji telewizyjnej:

- W zależności od audycji dźwięk może nie ulec zmianie. Przełączyć ustawienie „Wyjście optyczne” telewizora z „Automat.” na „PCM”.

Używanie urządzenia z wyposażeniem zewnętrznym w systemie Dual Sound:

- Jeśli nie można przełączyć dźwięku, należy przełączyć ustawienie wyjścia audio wyposażenia zewnętrznego tak, aby aktywować PCM.

## Wskaźnik

Pomimo włączenia zasilania telewizora wskaźnik

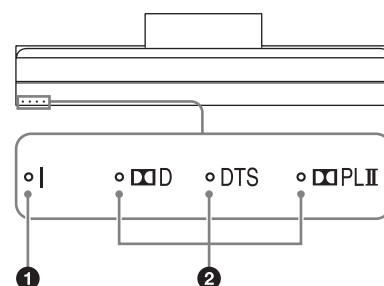
**I** (zasilanie) na stoliku TV nie świeci się:

- Sprawdzić podłączenie kabla zasilającego itp.
- Skonsultować się z pomocą techniczną.

Wskaźnik **I** (zasilanie) miga na czerwono:

- Mogła nastąpić awaria produktu. Należy sprawdzić, ile razy miga dioda LED i skonsultować się z centrum serwisowym firmy Sony.

# Wskaźnik



## 1 Wskaźnik I (zasilanie)

Świeci w następujący sposób:

Zielony: zasilanie stolika TV jest włączone.

(Opcja „System audio” jest ustawiona na „Głośniki”).

Nie świeci: stolik TV jest w trybie czuwania lub wyłączony.

## 2 Wskaźniki formatu sygnału audio

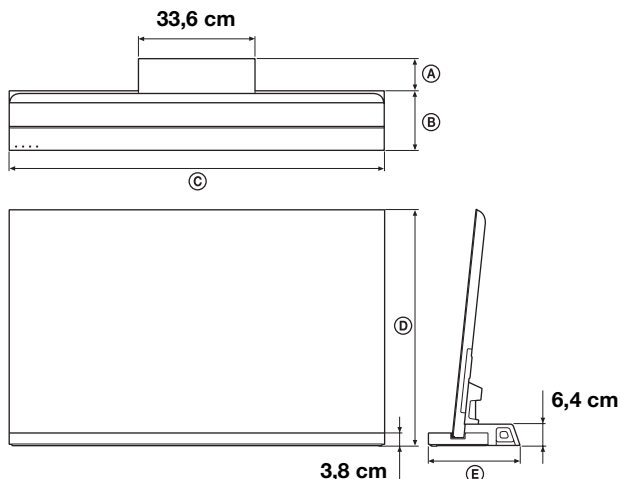
Zaczynają świecić w zależności od formatu sygnału audio przesyłanego do stolika TV.

**D**: Dolby Digital

DTS

**PLII**: Dolby Pro Logic II

# Dane techniczne



		SU-B550S	SU-B460S	SU-B400S
Wymiary: cm	Ⓐ	8,1	9,3	10
	Ⓑ	20	17,2	16,1
	Ⓒ	127,6	108,3	94,4
	Ⓓ	79,3	68,4	60,6
	Ⓔ	28,1	26,5	26,1
Waga stolika:		5,8 kg	5,4 kg	5,1 kg

## Sekcja wzmacniacza

Znamionowa moc wyjściowa

Przednie: 10 W + 10 W (na kanał),  
12 omów, 1 kHz, całkowite  
zniekształcenia harmoniczne mniej  
niż 1 %

Subwoofer: 20 W, 6 omów, 100 Hz,  
całkowite zniekształcenia  
harmoniczne mniej niż 1 %

## Sekcja HDMI

Złącze

Złącze HDMI™

Wejścia/  
wyjścia wideo

640 × 480p przy 60 Hz  
720 × 480p przy 59,94/60 Hz  
1280 × 720p przy 59,94/60 Hz  
1920 × 1080i przy 59,94/60 Hz  
1920 × 1080p przy 59,94/60 Hz  
720 × 576p przy 50 Hz  
1280 × 720p przy 50 Hz  
1920 × 1080i przy 50 Hz  
1920 × 1080p przy 50 Hz  
1920 × 1080p przy 24 Hz  
Deep Colour: 30 bitów / 36 bitów

Wejścia/  
wyjścia wideo (3D) 1280 × 720p przy 59,94/60 Hz  
Frame packing  
1920 × 1080i przy 59,94/60 Hz  
Frame packing  
1920 × 1080i przy 59,94/60 Hz  
Side-by-Side (Half)  
1920 × 1080p przy 59,94/60 Hz  
Side-by-Side (Half)  
1280 × 720p przy 50 Hz  
Frame packing  
1920 × 1080i przy 50 Hz  
Frame packing  
1920 × 1080i przy 50 Hz  
Side-by-Side (Half)  
1920 × 1080p przy 50 Hz  
Side-by-Side (Half)  
1920 × 1080p przy 24 Hz  
Frame packing  
Deep Colour: 30 bitów / 36 bitów  
Linear PCM 7.1ch/  
Dolby Digital/DTS

Wejścia audio

## Głośniki

### Głośnik przedni

System głośnikowy 2-drożny, 3 jednostki, typu bass  
reflex

Głośnik Niskotonowy: 30 × 82 mm typu  
stożkowego × 2  
Wysokotonowy: 14 mm typu  
kopułowego

### Subwoofer

System głośnikowy Subwoofer, typu bass reflex  
Głośnik 70 mm, typ stożkowy

## Parametry ogólne

Wymagania dotyczące zasilania

100 – 240 V, 50/60 Hz

Zużycie energii

Włączony: 12 W

Tryb czuwania: 0,7 W

- Pobór mocy w trybie czuwania: 0,7 W
- W pewnych płytkach obwodów drukowanych nie zastosowano fluorowcowanych środków zmniejszających palność.
- Sprawność bloku wzmacniacza powyżej 85 % uzyskano dzięki zastosowaniu w pełni cyfrowego wzmacniacza S-Master.

Projekt i dane techniczne mogą ulec zmianie bez  
uprzedzenia.



# Segurança

**Obrigado por ter adquirido este produto. Os produtos da Sony são concebidos para oferecer a máxima segurança. Uma utilização incorrecta pode provocar ferimentos graves devido a incêndio, choque eléctrico ou queda do produto. Para evitar esse tipo de acidentes, respeite as precauções de segurança.**

Este manual de instruções descreve as precauções importantes necessárias para evitar acidentes e utilizar o produto de forma correcta. Leia-o na íntegra e utilize o produto correctamente. Guarde este manual para futuras consultas.

O fabricante deste produto é a Sony Corporation, 1-7-1 Konan Minato-ku Tokyo, 108-0075 Japão. O representante autorizado para Compatibilidade Electromagnética e segurança do produto é a Sony Deutschland GmbH, Hedelfinger Strasse 61, 70327 Stuttgart, Alemanha. Para qualquer assunto relacionado com serviço ou garantia por favor consulte a morada indicada nos documentos sobre serviço e garantias que se encontram junto ao produto.

## ATENÇÃO

### Produtos especificados

Este suporte foi concebido para utilização com os produtos Sony especificados a seguir. Não instale outros produtos que não os especificados.

Os produtos seguintes estão sujeitos a alterações sem aviso prévio, a não estarem em stock ou a terem deixado de ser fabricados.

Além disso, alguns modelos são vendidos em apenas algumas regiões.

	Televisor a Cores com Ecrã LCD
SU-B550S	KDL-55NX81□*
SU-B460S	KDL-46NX71□*
SU-B400S	KDL-40NX71□*

(A partir de Agosto de 2010)

\* Nos nomes de modelos actuais, o "□" indica números e/ou caracteres específicos a cada modelo.

### Localização da etiqueta de identificação

A etiqueta com o N.º do Modelo encontra-se localizada na parte traseira do suporte de televisor.

### Eliminação do Suporte de Televisor



**Tratamento de Equipamentos Eléctricos e Electrónicos no final da sua vida útil (Aplicável na União Europeia e em países Europeus com sistemas de recolha selectiva de resíduos)**

Este símbolo, colocado no produto ou na sua embalagem, indica que este não deve ser tratado como resíduo urbano indiferenciado. Deve sim ser colocado num ponto de recolha destinado a resíduos de equipamentos eléctricos e electrónicos. Assegurando-se que este produto é correctamente depositado, irá prevenir potenciais consequências negativas para o ambiente bem como para a saúde, que de outra forma poderiam ocorrer pelo mau manuseamento destes produtos. A reciclagem dos materiais contribuirá para a conservação dos recursos naturais. Para obter informação mais detalhada sobre a reciclagem deste produto, por favor contacte o município onde reside, os serviços de recolha de resíduos da sua área ou a loja onde adquiriu o produto.

## AVISO

**O não cumprimento das precauções indicadas abaixo, pode provocar a morte ou ferimentos graves em caso de incêndio, choque eléctrico ou queda do produto.**

### Certifique-se de que toma as devidas precauções para evitar uma queda do suporte de televisor.

Se não o fizer, o televisor pode cair e provocar ferimentos. Fixe o suporte de televisor, etc., para evitar uma queda.

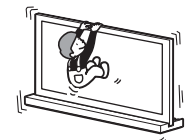
### Certifique-se de que instala o suporte de televisor numa superfície estável.

Se instalar o suporte de televisor numa superfície instável, este pode perder o equilíbrio e cair. Pode provocar ferimentos ou danos materiais.



### Não se apoie nem se pendure no televisor com o televisor instalado no suporte de televisor.

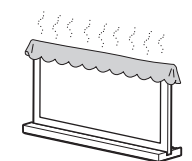
O suporte de televisor pode tombar ou o televisor pode cair e provocar ferimentos graves ou morte.



### Não tape as aberturas de ventilação do televisor.

As aberturas de ventilação do televisor são necessárias para assegurar um funcionamento fiável do televisor e para o proteger contra sobreaquecimento.

- Nunca bloqueie nem cubra as aberturas de ventilação com um pano ou outros materiais.
- Nunca deixe que caiam líquidos ou objectos sólidos nas aberturas de ventilação.





**Não coloque objectos com líquidos, como uma jarra ou um vaso, sobre o televisor.**

**Não utilize um televisor com cabo de alimentação próximo da água, por exemplo, junto a uma banheira, lavatório, lava-loiça ou tanque de lavar roupa, numa superfície molhada ou junto a uma piscina, etc.**

**Não instale o televisor em locais sujeitos a temperaturas extremas, como, por exemplo, sob a luz solar directa ou próximo de um aquecedor ou grelha de ventilação.**

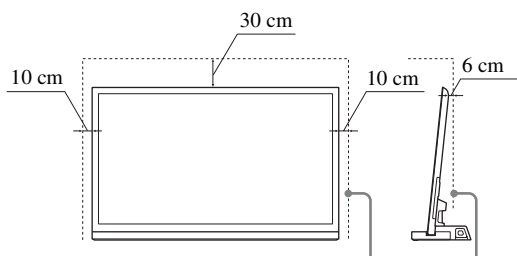
O televisor pode sobreaquecer nessas condições, o que pode provocar uma deformação da caixa e/ou uma avaria no televisor.

**Não instale o televisor num local directamente exposto ao ar condicionado.**

A humidade pode condensar-se no interior e provocar uma avaria no televisor.

**Deixe um espaço adequado à volta do televisor para assegurar uma circulação de ar apropriada.**

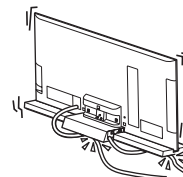
Deixe espaço suficiente à volta do televisor como é mostrado abaixo.



**Deixe pelo menos este espaço à volta do televisor.**

## Cabo de alimentação CA

- Utilize apenas cabos de alimentação CA fornecidos pela Sony, não os de outras marcas.
- Não trilhe o cabo de alimentação CA ou o cabo de ligação ao instalar o televisor no suporte de televisor. Se o cabo de alimentação CA ou o cabo de ligação estiver danificado, pode provocar um incêndio ou choque eléctrico.
- Não pise o cabo de alimentação CA ou o cabo de ligação quando transportar o suporte de televisor. O cabo de alimentação CA ou o cabo de ligação pode ficar danificado e, nesse caso, pode provocar um incêndio ou choque eléctrico.
- Se tropeçar no cabo de alimentação CA ou no cabo de ligação, o suporte de televisor pode tombar e provocar ferimentos.
- Ao desligar o cabo de alimentação CA da tomada de parede, a alimentação do suporte de televisor é totalmente cortada.



## NOTA SOBRE O TRANSFORMADOR DE CORRENTE

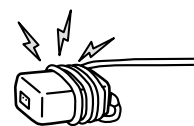
### Aviso

Para reduzir o risco de incêndio ou choque eléctrico, não exponha este aparelho a chuva ou humidade.

Para evitar o risco de incêndio ou choque eléctrico, não coloque recipientes com líquidos, como jarras, em cima do aparelho.

Não instale este equipamento num espaço confinado, como uma estante ou uma unidade semelhante.

- Certifique-se de que a tomada de corrente eléctrica está instalada perto do equipamento e é de fácil acesso.
- Certifique-se de que utiliza o transformador de corrente fornecido e o cabo de alimentação.
- Não utilize outro transformador de corrente qualquer. Isto pode causar uma avaria.
- Ligue o transformador de corrente a uma tomada de corrente de fácil acesso.
- Não enrole o cabo de alimentação à volta do transformador de corrente. O fio do núcleo pode quebrar e/ou poderá causar uma avaria do televisor.
- Não toque no transformador de corrente com as mãos molhadas.
- Se notar alguma anomalia no transformador de corrente, desligue-o imediatamente da tomada de corrente eléctrica.
- O aparelho não está desligado da fonte de alimentação desde que esteja ligado à tomada de corrente, mesmo que o próprio aparelho tenha sido desligado.



(Continuação)

3 (PT)

## **ATENÇÃO**

**Se não respeitar as precauções a seguir indicadas, pode ferir-se ou provocar danos materiais.**

### **Não instale um equipamento diferente do especificado no suporte.**

Este suporte de televisão foi concebido para uma utilização apenas com o produto especificado. A instalação de qualquer outro equipamento pode resultar em queda ou quebra e provocar danos materiais ou ferimentos. As ilustrações utilizadas neste manual referem-se ao KDL-46NX71□, excepto se indicado em contrário.

### **Certifique-se de que fixa o televisor.**

Fixe o televisor ao suporte de televisor utilizando os parafusos fornecidos. Se o televisor não for instalado de modo seguro, pode cair, ou o suporte de televisor pode tombar, provocando ferimentos.

---

## **Notas sobre a instalação**

Não instale o suporte de televisor inclinado. Para evitá-lo, tome as seguintes precauções.

Se instalar o suporte de televisor numa superfície mole, como um tapete ou carpete, coloque uma placa rígida no local de posicionamento.

- Não instale o suporte de televisor num local sujeito à luz solar directa ou próximo de um aquecedor.
- Não instale o suporte de televisor num local quente ou húmido ou no exterior.

---

## **Nota sobre a utilização**

### **Limpeza**

Para manter limpo o suporte de televisor, limpe-o ocasionalmente com um pano macio e seco. As manchas difíceis podem ser removidas com um pano ligeiramente humedecido em sabão suave. Certifique-se de que seca a área com um pano macio e seco. Não utilize produtos químicos, como dissolvente ou benzina, pois podem danificar o acabamento do suporte de televisor.

---

### **Certifique-se de que o trabalho de instalação é realizado por duas ou mais pessoas.**

Certifique-se de que a instalação do televisor no suporte de televisor é realizada por duas ou mais pessoas. Se uma pessoa realizar o trabalho de instalação sozinha, pode provocar um acidente ou ferimentos.

### **Não altere o Suporte de Televisor.**

Este poderá cair e provocar ferimentos.

### **Certifique-se de que instala o televisor de modo seguro, seguindo as instruções.**

Aperte firmemente os parafusos. Se o televisor não for instalado de modo firme, pode cair e provocar ferimentos.

### **Proceda com cuidado para não magoar as mãos ou dedos durante a montagem.**

- Não desloque o Suporte do Televisor segurando na secção do Pescoço.
- Proceda com cuidado para não ferir as mãos ou os dedos quando instalar o televisor.

# PRECAUÇÕES

## Fontes de alimentação

- Se não tencionar utilizar o suporte de televisor durante um longo período, desligue-o da tomada de parede. Para desligar o cabo de alimentação CA, puxe pela ficha e nunca pelo cabo.
- O cabo de alimentação CA apenas deve ser substituído num local de assistência qualificado.

## Funcionamento

Antes de ligar outros componentes, desligue o suporte de televisor e retire a ficha da tomada.

---

## Direitos de autor

Este suporte de televisor incorpora Dolby\* Digital e Pro Logic Surround e o DTS\*\* Digital Surround System.

\* Fabricado sob licença da Dolby Laboratories. Dolby, Pro Logic, e o símbolo DD são marcas comerciais da Dolby Laboratories.

\*\* Fabricado sob licença, de acordo com as Patentes dos EUA n.º: 5.451.942; 5.956.674; 5.974.380; 5.978.762; 6.487.535 e outras patentes dos EUA e mundiais emitidas e pendentes. DTS e o Símbolo são marcas comerciais registadas e DTS Digital Surround e os logótipos DTS são marcas comerciais da DTS, Inc. O produto inclui o software. © DTS, Inc. Todos os direitos reservados.

Este suporte de televisor integra a tecnologia High-Definition Multimedia Interface (HDMI™).

HDMI, o logótipo HDMI e High-Definition Multimedia Interface são marcas comerciais ou marcas comerciais registadas da HDMI Licensing LLC nos Estados Unidos e/ou noutros países.

“BRAVIA” é uma marca comercial da Sony Corporation.

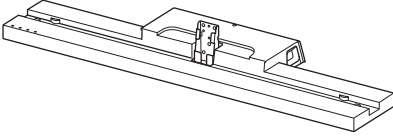

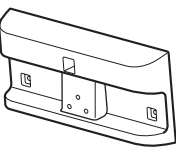




### Nota sobre a remoção do Suporte de televisor da embalagem

Certifique-se de que segura bem no Suporte de televisor e manuseie-o correctamente.

Consulte o manual de instruções fornecido com o televisor para obter informações sobre a remoção do Suporte de Fixação para Mesas do televisor.

## Passo 1: Verificar as peças

Nome	Quantida
Suporte 	1
Tampa traseira* 	2
União 	1
Parafuso de fixação do braço do suporte de televisor (PSW5 × 16) preto (× 3) Parafuso da união (PSW5 × 16) preto (× 3) 	6
Transformador de CA	
Cabo de alimentação CA	
Cabo HDMI de Alta Velocidade	1
Suporte para os cabos 	1
Manual de instruções	1
Cartão de garantia	

\* Apenas no modelo SU-B550S.

### AVISO

Se o cabo de alimentação CA ficar trilhado por baixo ou entre peças do equipamento, pode ser provocado um curto-circuito ou choque eléctrico. Se tropeçar no cabo de alimentação CA ou no cabo de ligação, o suporte de televisor pode tombar e provocar ferimentos.

### Determine o local de instalação e posicione o suporte de televisor antes de instalar o televisor.

Como o televisor é pesado, recomendamos que decida o local de instalação previamente, montando o suporte de televisor nesse local.

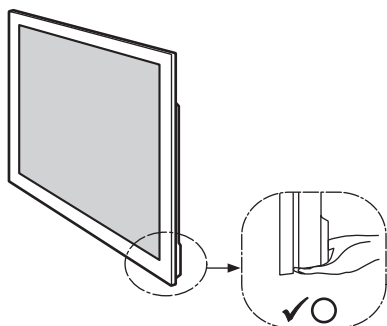
# Passo 2: Instalação do televisor

## Antes da montagem

- Antes de iniciar a montagem, certifique-se de que tem acessível uma chave de parafusos Phillips compatível com os parafusos.
- Quando utilizar uma chave eléctrica, regule o binário de aperto para aproximadamente 1,5 N·m { 15 kgf·cm }.

## 1 Segure no televisor no ponto especificado quando deslocar o televisor.

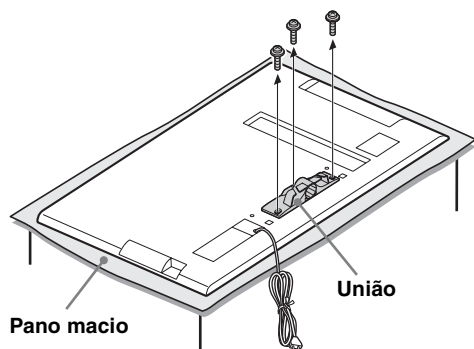
Certifique-se de que segura no televisor conforme indicado:



- Quando transportar o televisor manualmente, segure conforme indicado acima. Não exerça pressão sobre o painel do LCD e a estrutura à volta do ecrã.

## 2 Retire os parafusos da união na parte traseira do televisor.

Faça deslizar a união para baixo para a retirar.



- Guarde os parafusos retirados.
- Ao remover o suporte de fixação para mesas do ecrã, coloque o ecrã virado para baixo numa superfície estável que seja maior do que o ecrã.
- Para evitar danificar a superfície do ecrã LCD, coloque um pano macio na superfície de trabalho.

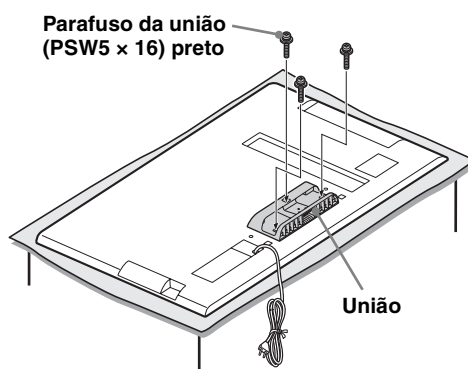
## ATENÇÃO

- Se for aplicada pressão ou choque sobre a superfície do ecrã, o ecrã LCD pode partir-se ou ficar danificado.
- Coloque o ecrã virado para baixo numa superfície estável e nivelada com o suporte de fixação para mesas pendurado na borda da superfície.

Com o ecrã e a base do suporte de fixação para mesas no mesmo nível da superfície pode criar condições de trabalho instáveis e danificar o ecrã.

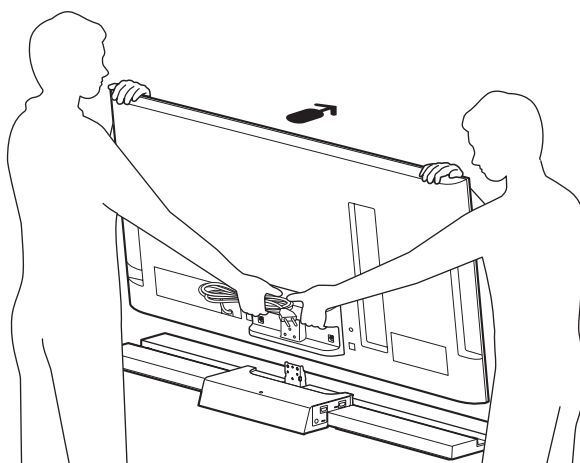
## 3 Coloque a união fornecida na parte traseira do televisor com os três parafusos (PSW5 x 16) pretos (fornecidos).

Faça deslizar a união fornecida para cima para a fixar.



## 4 Instale o televisor no suporte de televisor.

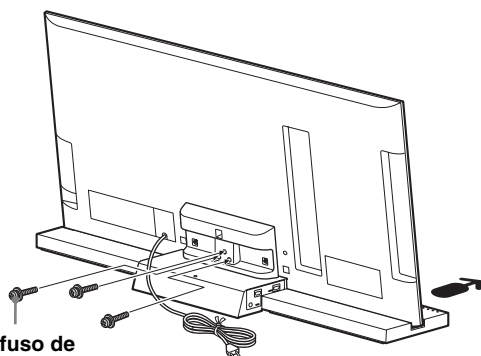
O televisor é instalado ao ser colocado na ranhura do Suporte de Televisor.



← A direcção da seta indica a parte da frente do suporte de televisor.

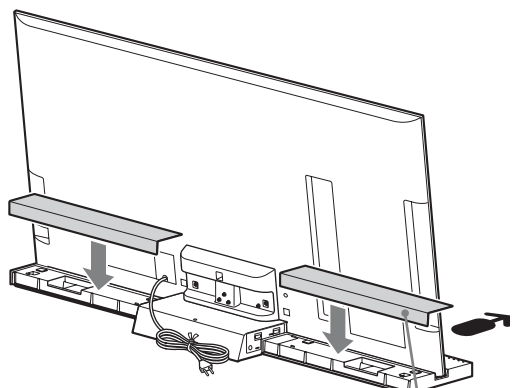
(Continuação)

**5** Fixe o televisor e o suporte de televisor com os três parafusos de fixação do braço do suporte de televisor (PSW5 × 16) pretos (fornecidos).



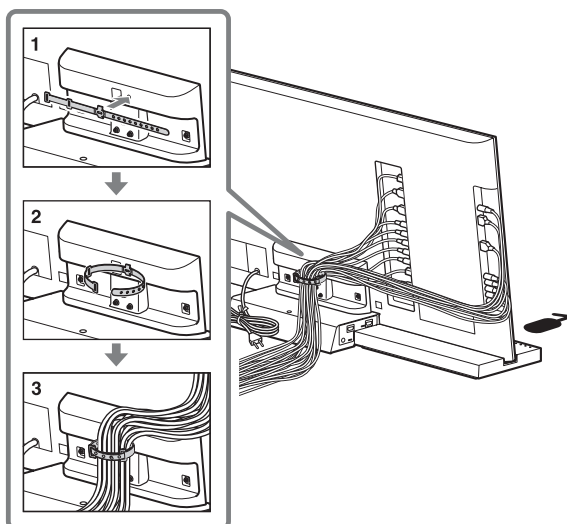
Parafuso de fixação do braço do suporte de televisor (PSW5 × 16) pretos

**6** Coloque a tampa traseira no suporte de televisor. (Apenas no modelo SU-B550S)



Tampa traseira

**7** Juntar os cabos.

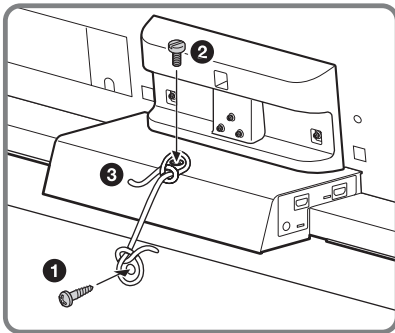
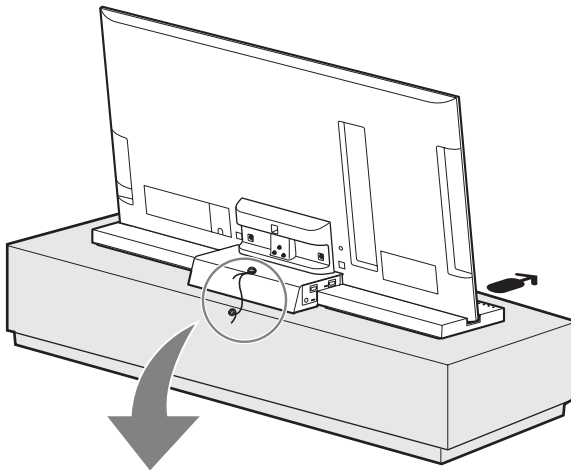


- Não junte o cabo de alimentação de CA em conjunto com os outros cabos.

## Passo 3: Medidas de segurança para evitar uma queda

### AVISO

Certifique-se de que toma as devidas precauções para evitar uma queda do suporte de televisão que pode causar ferimentos ou danos materiais.



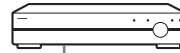
- 1 Coloque um parafuso para madeira (4 mm de diâmetro, não fornecido) no móvel.
- 2 Coloque um parafuso de montagem (M4 x 16, não fornecido) no orifício para parafuso do suporte de televisão.
- 3 Una o parafuso para madeira ao parafuso de montagem com uma corda forte (não fornecida).

## Passo 4: Ligar o televisor e o leitor

### Ligue o televisor com uma tomada HDMI ao suporte de televisor utilizando um cabo HDMI.

Ao ligar os componentes compatíveis com Sony “BRAVIA” Sync utilizando cabos HDMI, o funcionamento pode ser simplificado quando regula a função Controlo para HDMI do televisor.

#### Leitor de Blu-ray Disc, etc.



Cabo HDMI  
(não fornecido)

Cabo HDMI  
(fornecido)



- O suporte de televisor é compatível com a função Audio Return Channel (ARC). Se ligar o suporte de televisor à tomada HDMI do televisor compatível com ARC através de um cabo HDMI, não é necessário ligar o televisor ao suporte de televisor com o cabo digital óptico.
- É possível ver as letras “ARC” junto à tomada HDMI do televisor se este for compatível com a função ARC. Mesmo que ligue um cabo HDMI à tomada, se a tomada de entrada HDMI não for compatível com a função ARC, não é possível utilizar a função ARC.
- A função ARC apenas está disponível quando o Controlo para HDMI está regulado para ligado.



- Mesmo que o suporte de televisor esteja desligado (modo de espera activo), o sinal HDMI será enviado do componente ligado para o televisor através da ligação HDMI. É possível desfrutar de imagem e som do componente no televisor.

(Continuação)

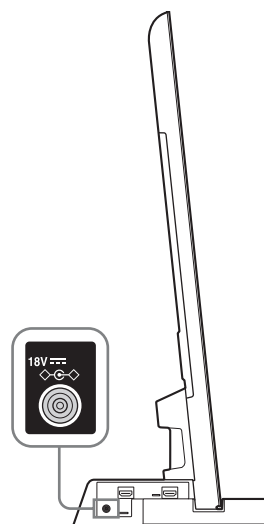
9 (PT)

## Notas sobre ligações HDMI

- Utilize um cabo HDMI de alta velocidade. Se utilizar um cabo HDMI standard, 1080p, as imagens Deep Colour ou 3D podem não ser apresentadas correctamente.
- Recomendamos que utilize um cabo HDMI autorizado.
- Verifique a instalação do componente ligado se a imagem for de má qualidade ou o som não for emitido a partir de um componente ligado através do cabo HDMI.
- Os sinais áudio (frequência de amostragem, comprimento de bit, etc.) transmitidos a partir de uma tomada HDMI podem ser suprimidos pelo componente ligado.
- O som pode ter interrupções quando a frequência de amostragem ou o número de canais dos sinais de saída áudio do componente de reprodução forem trocados.
- Quando o componente ligado não for compatível com a tecnologia de protecção de direitos de autor (HDCP), a imagem e/ou som da tomada HDMI TV OUT podem ser distorcidos ou não ser emitidos.  
Neste caso, verifique a especificação do componente ligado.
- Não recomendamos a utilização de um cabo de conversão HDMI-DVI.
- Este sistema suporta transmissão Deep Colour, “x.v.Colour”, e 3D.

## Passo 5: Ligar o cabo de alimentação CA

Antes de ligar o cabo de alimentação CA do suporte de televisão a uma tomada de parede, ligue todos os outros componentes e o televisor ao suporte de televisão.



- Ligue o suporte de televisão a uma tomada CA de fácil acesso. Se detectar alguma anomalia no suporte de televisão, desligue imediatamente a ficha de alimentação da tomada CA.



## Passo 6: Realizar a configuração do televisor

### ❶ Defina para “Activar” na função “Controlo para HDMI”.

Prima o botão HOME do telecomando do televisor e seleccione o menu como se segue;

📦 Parâmetros > 📺 Entradas > Configurar HDMI > Controlo para HDMI > Activar

### ❷ Defina para “Sistema de Áudio” no menu “Altifalantes”.

Prima o botão HOME do telecomando do televisor e seleccione o menu como se segue;

📦 Parâmetros > 🔊 Som > Altifalantes > Sistema de Áudio



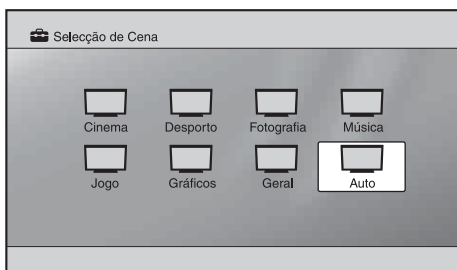
- Após ter concluído as definições do procedimento ❶ e ❷, o indicador **I** (alimentação) acende-se a verde.



#### • Modo de Selecção de Cena

Este suporte de televisor é automaticamente sincronizado com as definições de som do televisor e funciona juntamente com a função de Selecção de Cena, para que possa escolher o seu som preferido para a cena seleccionada.

Para mudar o som, altere as definições de som do televisor.



Antes de utilizar este modo, certifique-se de que são efectuadas as definições seguintes no televisor.

## Resolução de problemas

### Som

Não há som:

- Verifique a ligação do cabo HDMI.
- Verifique os parâmetros para “Controlo para HDMI” e “Sistema de Áudio” no Passo 6 (página 11).

Utilizar com auscultadores:

- Altere “Sistema de Áudio” para “Altifalante TV” no parâmetro “Altifalantes”.

Utilizar com som duplo da transmissão digital do televisor:

- Dependendo da transmissão, o som não pode ser alterado. Altere o parâmetro “Saída Óptica” do televisor a partir de “Auto”, para “PCM”.

Utilizar com equipamento externo para som duplo:

- Se não for possível alterar o som, altere o parâmetro de saída de áudio do equipamento externo para activar o PCM.

### Indicador

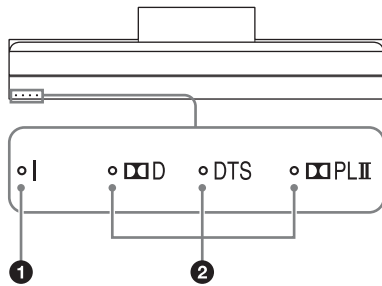
Apesar de a alimentação do televisor estar ligada, o indicador **I** (alimentação) do Suporte de Televisor não se acende:

- Verifique a ligação do cabo de alimentação CA, etc.
- Contacte os serviços de apoio ao cliente.

Indicador **I** (alimentação) vermelho intermitente:

- Poderá ter ocorrido uma avaria neste produto. Verifique quantas vezes o LED pisca e contacte um centro de assistência Sony.

# Indicador



## 1 Indicador I (alimentação)

Acende-se das seguintes formas:

Verde: O Suporte de Televisor está ligado.  
("Sistema de Áudio" está definido para "Altifalantes.")

Apagado: O Suporte de Televisor está em modo de espera ou desligado.

## 2 Indicadores do formato de áudio

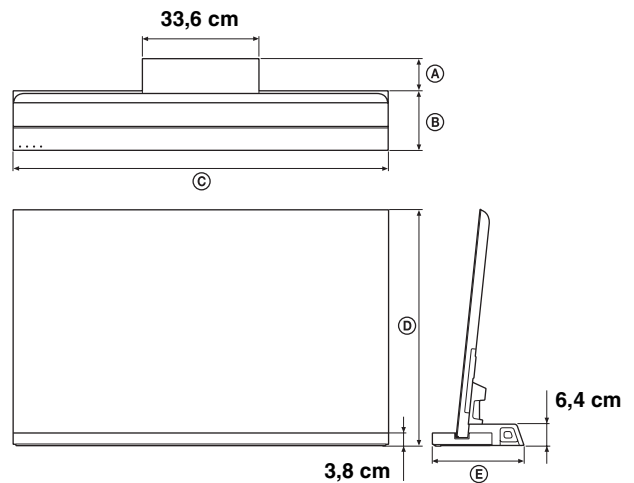
Acendem-se segundo o formato de áudio que está a ser utilizado no Suporte de Televisor.

□D: Dolby Digital

DTS

□PLII: Dolby Pro Logic II

# Especificações



		SU-B550S	SU-B460S	SU-B400S
Dimensões: cm	(A)	8,1	9,3	10
	(B)	20	17,2	16,1
	(C)	127,6	108,3	94,4
	(D)	79,3	68,4	60,6
	(E)	28,1	26,5	26,1
Peso do suporte:		5,8 kg	5,4 kg	5,1 kg

## Secção do amplificador

Saída de potência nominal

Frontal: 10 W + 10 W, (por canal)  
12 ohms, 1 kHz, THD inferior a 1 %  
Subwoofer: 20 W, 6 ohms, 100 Hz,  
THD inferior a 1 %

## Secção HDMI

Ficha

Ficha HDMI™

Entradas/

640 × 480p@60 Hz

saídas de vídeo

720 × 480p@59,94/60 Hz

1280 × 720p@59,94/60 Hz

1920 × 1080i@59,94/60 Hz

1920 × 1080p@59,94/60 Hz

720 × 576p@50 Hz

1280 × 720p@50 Hz

1920 × 1080i@50 Hz

1920 × 1080p@50 Hz

1920 × 1080p@24 Hz

Deep Colour: 30 bits/36 bits

Entradas/	1280 × 720p@59,94/60 Hz
saídas de vídeo (3D)	Frame packing 1920 × 1080i@59,94/60 Hz Frame packing 1920 × 1080i@59,94/60 Hz Lado a Lado (Metade) 1920 × 1080p@59,94/60 Hz Lado a Lado (Metade) 1280 × 720p@50 Hz Frame packing 1920 × 1080i@50 Hz Frame packing 1920 × 1080i@50 Hz Lado a Lado (Metade) 1920 × 1080p@50 Hz Lado a Lado (Metade) 1920 × 1080p@24 Hz Frame packing Deep Colour: 30 bits/36 bits
Entradas de áudio	PCM Linear 7.1 c./ Dolby Digital/DTS

## Altifalantes

### Unidade da coluna frontal

Sistema de colunas	Tipo de 2 direcções, 3 controladores, Bass reflex
Unidade da coluna	Woofers: 30 × 82 mm, tipo cónico ×2 Tweeter: 14 mm, tipo campânula

### Unidade de subwoofer

Sistema de colunas	Subwoofer, tipo Bass reflex
Unidade da coluna	70 mm, tipo cónico

## Geral

Requisitos de alimentação  
100 – 240 V, 50/60 Hz

Consumo de energia  
Ligado: 12 W  
Modo de espera: 0,7 W

- Consumo de energia no modo de espera: 0,7 W
- Não são utilizados retardantes de chama halogenados em determinadas placas de circuito impresso.
- Mais de 85 % da eficiência energética do bloco amplificador é obtida através do amplificador totalmente digital, S-Master.

O design e as características técnicas estão sujeitos a alterações sem aviso prévio.

## Om sikkerhed

**Tak, fordi du har købt dette produkt.**

**Sonys produkter er udformet med henblik på at opnå bedst mulig sikkerhed. Forkert anvendelse kan medføre alvorlig personskade som følge af brand, elektrisk stød, eller fordi produktet vælter eller falder ned. Undgå sådanne ulykker ved at overholde sikkerhedsforskrifterne.**

Denne betjeningsvejledning beskriver korrekt håndtering af produktet og de vigtigste forholdsregler, som er nødvendige for at forhindre ulykker. Læs denne vejledning grundigt, og brug produktet korrekt. Gem vejledningen til senere brug.

Producenten af dette produkt er Sony Corporation, 1-7-1 Konan Minato-ku Tokyo, 108-0075 Japan. Den autoriserede repræsentant for EMC og produktsikkerhed er Sony Deutschland GmbH, Hedelfinger Strasse 61, 70327 Stuttgart, Germany. For service eller garanti henviser vi til de adresser, som fremgår af vedlagte garantidokument.

## FORSIGTIG!

### Specificerede produkter

Dette tv-bord er udviklet til brug sammen med de Sony-produkter, som er specificeret nedenfor. Brug det ikke sammen med andre produkter end de specificerede.

Følgende produkter kan ændres uden varsel og er muligvis ikke på lager eller er udgået.

Ikke alle modeller sælges i alle områder.

	LCD-farve-tv
SU-B550S	KDL-55NX81□*
SU-B460S	KDL-46NX71□*
SU-B400S	KDL-40NX71□*

(Fra august 2010)

\* I de egentlige modelnavne angiver "□" tal og/eller tegn, som er specifikke for hver model.

### Placering af identifikationsmærkat

Mærkatet for modelnr. findes på bagsiden af tv-bordet.

### Bortskaffelse af tv-bordet



Håndtering af udtjente elektriske og elektroniske produkter (Gælder for den Europæiske Union og andre europæiske lande med separate indsamlingssystemer)

Dette symbol på produktet eller emballagen angiver, at produktet ikke må behandles som husholdningsaffald. Det skal i stedet indleveres på en deponeringsplads specielt indrettet til modtagelse og oparbejdning af elektriske og elektroniske produkter. Ved at sikre, at produktet bortskaffes korrekt, forebygges de eventuelle negative miljø- og

sundhedsskadelige påvirkninger, som en ukorrekt affaldshåndtering af produktet kan forårsage. Genindvinding af materialer vil medvirke til at bevare naturens ressourcer. Yderligere information om genindvindingen af dette produkt kan fås hos myndighederne, det lokale renovationselskab eller butikken, hvor produktet blev købt.

## ADVARSEL

Hvis følgende forholdsregler ikke overholdes, kan det medføre alvorlig personskade eller død som følge af brand, elektrisk stød, eller fordi produktet vælter.

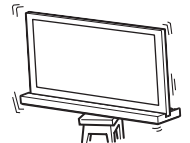
### Sørg for at tage forholdsregler for at forhindre, at tv-bordet vælter.

Hvis du ikke gør det, kan tv'et vælte og forårsage personskade.

Fastgør tv-bordet og reolen osv. for at forhindre, at tv'et vælter.

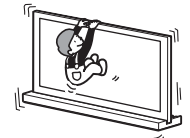
### Sørg for at montere tv-bordet på en stabil overflade.

Hvis du monterer tv-bordet på en ustabil overflade, kan det miste balancen og vælte eller falde ned. Dette kan forårsage personskade eller tingskade.



### Læn dig ikke ind over tv'et monteret på tv-bordet, og hæng ikke i det.

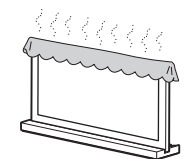
Tv-bordet kan vælte, eller det kan falde ned og forårsage alvorlig personskade eller dødsfald.



### Dæk ikke tv'ets ventilationshuller til.

Tv'ets ventilationsåbninger er nødvendige for at garantere, at tv'et fungerer pålideligt, og for at beskytte det mod overophedning.

- Du må ikke blokere eller tildække ventilationsåbningerne med stof eller andre materialer.
- Sørg for, at væske eller solide objekter ikke kommer ind i ventilationsåbningerne.



### Du må ikke placere objekter fyldt med væske, f.eks. en vase eller potteplante, på tv'et.

**Brug ikke et tv med netledning i nærheden af vand, f.eks. et badekar, en vask, en køkkenvask, et kar til vasketøj, i en våd kælder eller i nærheden af en swimmingpool osv.**

**Du må ikke montere tv'et på steder, som udsættes for ekstreme temperaturer, f.eks. i direkte sollys, i nærheden af en radiator eller et varmeaftræk.**

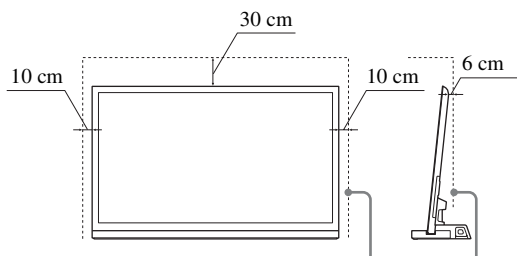
I sådanne tilfælde kan tv'et blive overophedet, hvilket kan medføre, at kabinettet slår sig, og/eller at tv'et svigter.

**Du må ikke montere tv'et på steder, som udsættes direkte for klimaanlæg.**

Fugt kan kondensere indeni og kan medføre, at tv'et svigter.

**Sørg for, at der er tilstrækkelig plads omkring tv'et, så der er luftcirkulation.**

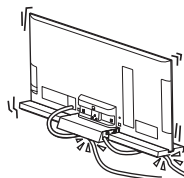
Der skal være nok plads omkring tv'et som vist nedenfor.



Der skal være mindst så meget plads omkring tv'et.

## Netledning

- Brug kun de medfølgende strømkabler fra Sony, brug ikke andre mærker.
- Netledningen eller tilslutningskablet må ikke klemmes, når du monterer tv'et på tv-bordet. Hvis netledningen eller tilslutningskablet beskadiges, kan det resultere i brand eller elektrisk stød.
- Træd ikke på netledningen eller tilslutningskablet, når du bærer tv-bordet. Netledningen eller tilslutningskablet kan være beskadiget, og dette kan resultere i brand eller elektrisk stød.
- Hvis du snubler over netledningen eller tilslutningskablet, kan tv-bordet vælte og forårsage personskade.
- Hvis du trækker netledningen ud af stikkontakten, fjernes strømmen helt fra tv-bordet.

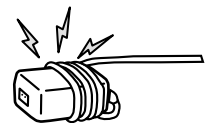


## BEMÆRKNING OM VEKSELSTRØMSADAPTER

### Advarsel

For at reducere risikoen for brand eller elektrisk stød bør apparatet ikke udsættes for regn eller fugt. For at forhindre brand eller elektrisk stød må genstande, der er fyldt med væske, såsom vaser, ikke placeres på apparatet. Undgå at montere dette udstyr i et lukket rum, såsom en boghylde eller tilsvarende.

- Sørg for, at stikkontakter er monteret i nærheden af udstyret, og at der er nem adgang til den.
- Sørg for at bruge den medfølgende vekselstrømsadapter og netledning.
- Brug ikke andre vekselstrømsadapters. Der kan ske fejlfunktion.
- Slut vekselstrømsadapteren til en stikkontakt, der er nem adgang til.
- Rul ikke netledningen rundt om vekselstrømsadapteren. Ledningens kerne kan knække, og der kan opstå en funktionsfejl i tv'et.
- Rør ikke vekselstrømsadapteren med våde hænder.
- Hvis du bemærker noget unormalt ved vekselstrømsadapteren, skal du straks tage den ud af stikkontakten.
- TV'et er ikke koblet fra strømforsyningen, så længe det er sluttet til stikkontakten, selv om TV'et er slukket.



## FORSIGTIG!

Hvis følgende forholdsregler ikke overholdes, kan der opstå materiel skade eller personskade.

## Monter ikke andet udstyr end det specificerede produkt.

Dette tv-bord er udelukkende udviklet til brug sammen med det specificerede produkt. Hvis du monterer andet udstyr end det specificerede, kan det falde ned eller gå i stykker og forårsage personskade. Illustrationerne i denne vejledning er til KDL-46NX71□, medmindre andet er angivet.

## Sørg for at fastgøre tv'et.

Tv'et monteres på tv-bordet med de medfølgende skruer. Hvis tv'et ikke monteres på en sikker måde, kan det falde ned, eller tv-bordet kan vælte og forårsage personskade.

## Bemærkninger til montering

Tv-bordet må ikke monteres med hældning. Dette kan undgås ved at overholde følgende forholdsregler.

Hvis du monterer tv-bordet på en blød overflade, f.eks. en måtte eller et tæppe, skal du først lægge en plade over stedet.

- Monter ikke tv-bordet på et sted, hvor der kan forekomme direkte sollys eller i nærheden af et varmeapparat.

(Fortsat)

- Monter ikke tv-bordet på et varmt eller fugtigt sted eller udendørs.

---

## Bemærkning til brugen

### Rengøring

Tv-bordet holdes rent ved regelmæssigt at tørre det af med en tør, blød klud. Genstridige pletter fjernes med en klud, der er fugtet let med mild sæbe. Sørg for bagefter at tørre området med en tør, blød klud. Brug ikke kemikalier såsom fortynder eller rensbenzin, da det kan beskadige tv-bordets finish.

---

## Sørg for, at mindst to personer udfører monteringen.

Sørg for, at to eller flere personer monterer tv'et på tv-bordet. Hvis én person udfører installationsarbejdet alene, kan det medføre en ulykke eller personskade.

## Du må ikke ændre på tv-bordet.

Det kan vælte og forårsage personskade.

## Sørg for at følge nedenstående anvisninger for at montere tv'et korrekt.

Spænd skruerne tilstrækkeligt. Hvis tv'et ikke monteres korrekt, kan det vælte og forårsage personskade.

## Undgå at beskadige hænderne eller fingrene under samlingen.

- Flyt ikke tv-bordet ved at holde på mellemstykket.
- Pas på, du ikke kommer til skade med hænder eller fingre, når tv'et monteres.

## FORHOLDSREGLER

### Om strømkilder

- Hvis tv-bordet ikke skal bruges i længere tid, skal du trække stikket ud af stikkontakten. Når du trækker netledningen ud, skal du trække i selve stikket – aldrig i ledningen.
- Netledningen må kun udskiftes af et autoriseret serviceværksted.

### Om betjening

Sluk for tv-bordet, og træk stikket ud, før der tilsluttes andre komponenter.

---

## Ophavsret

Dette tv-bord gør brug af Dolby® Digital og Pro Logic Surround og the DTS® Digital Surround System.

\* Fremstillet på licens fra Dolby Laboratories.

Dolby, Pro Logic og det dobbelte D-symbol er varemærker tilhørende Dolby Laboratories.

\*\* Fremstillet under følgende amerikanske patentnumre:

5.451.942; 5.956.674; 5.974.380; 5.978.762; 6.487.535 og andre udstedte eller afventende amerikanske og globale patenter. DTS og symbolet er registrerede varemærker og DTS Digital Surround og DTS-logoer er varemærker tilhørende DTS, Inc. Produktet omfatter software. © DTS, Inc. Alle rettigheder forbeholdes.

Dette tv-bord gør brug af High-Definition Multimedia Interface-teknologi (HDMI™).

HDMI, HDMI-logoet og High-Definition Multimedia Interface er varemærker eller registrerede varemærker tilhørende HDMI Licensing LLC i USA og andre lande.

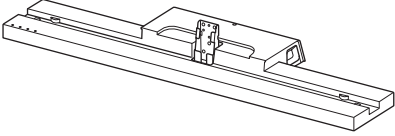
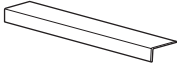
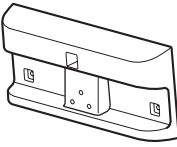


"BRAVIA" er et varemærke tilhørende Sony Corporation.



**Bemærk, når du tager tv-bordet ud af emballagen**

Sørg for at holde tv-bordet og behandle det med forsigtighed.

## Trin 1: Kontrol af delene

Beskrivelse	Antal
Tv-bord 	1
Bagplade* 	2
Samling 	1
Skrue til fastgørelse af tv-bordets mellemstykke (PSW5 × 16) sort (× 3) Samlingsskrue (PSW5 × 16) sort (× 3) 	6
Netadapter	
Netledning	
Højhastigheds-HDMI-kabel	1
Kabelholder 	1
Betjeningsvejledning	1
Garantibevis	

\* Kun for model SU-B550S.

### ADVARSEL

Hvis netledningen bliver klemt under eller mellem udstyr, kan det føre til kortslutning eller elektrisk stød. Hvis du snubler over netledningen eller tilslutningskablet, kan tv-bordet vælte og forårsage personskade.

### Bestut dig for et sted, hvor tv-bordet skal monteres, og læg det ned, før tv'et monteres.

Da tv'et er tungt, anbefales det, at du først beslutter dig for, hvor tv'et skal monteres, og derefter samler tv-bordet på stedet.

Se vejledningen, som følger med dit tv, for at se, hvordan tv-bordet fjernes fra tv'et.

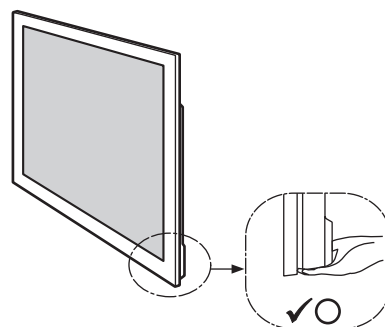
## Trin 2: Montering af tv'et

### Før samling

- Find på forhånd en stjerneskruetrækker frem, der passer til skrueerne.
- Hvis der bruges en elektrisk skruetrækker, skal drejningsmomentet indstilles til ca. 1,5 N·m {15 kgf·cm}.

### 1 Hold tv'et på det angivne sted, når tv'et flyttes.

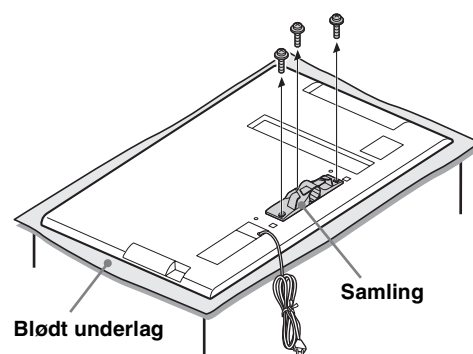
Sørg for at holde tv'et som vist:



- Når tv'et flyttes med hånden, skal det holdes som vist ovenfor. LCD-panelet og ramme omkring skærmen må ikke udsættes for tryk.

### 2 Fjern skruerne fra samlingen bag på tv'et.

Skub samlingen ned for at fastgøre.



- Sørg for at gemme skruerne, som du har fjernet.
- Når tv-bordet fjernes fra tv'et, skal skærmen ligge nedad på en stabil overflade, som er større end tv'et.
- For at undgå beskadigelse af LCD-skærmen skal tv'et lægges på noget blødt stof.

(Fortsat)

5 (DK)

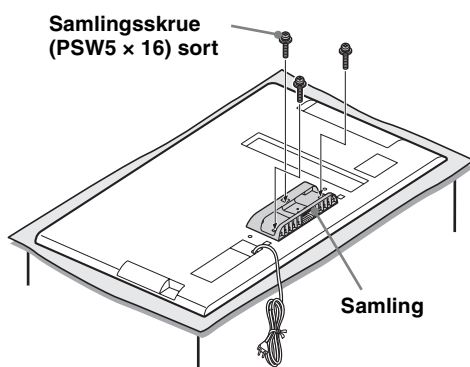
### FORSIGTIG!

- Hvis der forekommer tryk eller stød mod skærmen, kan LCD-skærmen gå i stykker eller tage skade.
- Læg tv'et, så skærmen kommer til at ligge på en stabil og plan overflade, så tv-bordet hænger ud over kanten af overfladen.

Hvis skærmen og den nederste del af tv-bordet er i samme plan, kan det forårsage ustabile arbejdsbetingelser og kan ødelægge skærmen.

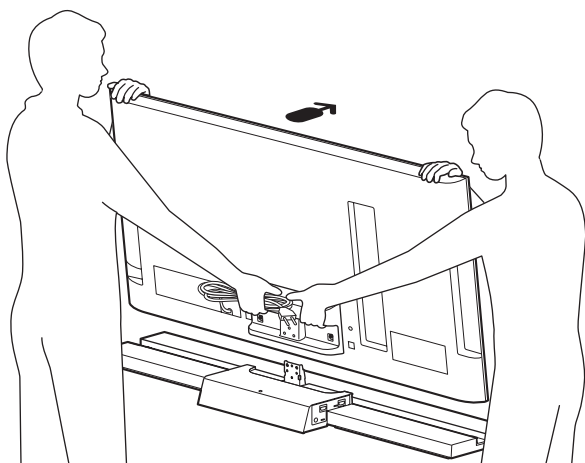
## 3 Fastgør den medfølgende samling bag på tv'et med de tre skruer (PSW5 x 16) sort (medfølger).

Skub den medfølgende samling op for at fastgøre.



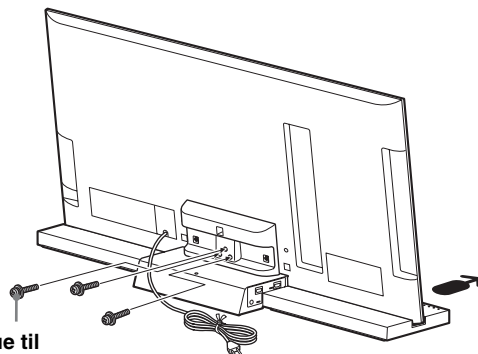
## 4 Monter tv'et på tv-bordet.

Tv'et monteres ved at anbringe det i rillen på tv-bordet.



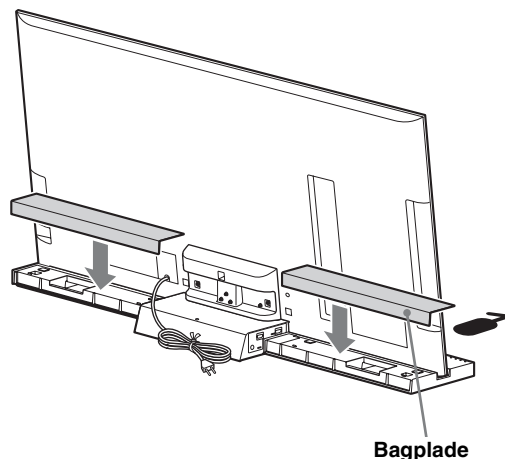
← Pilens retning angiver fronten på tv-bordet.

## 5 Fastgør tv'et og tv-bordet med de tre skruer til fastgørelse af tv-bordets mellemstykke (PSW 5 x 16) sort (medfølger).



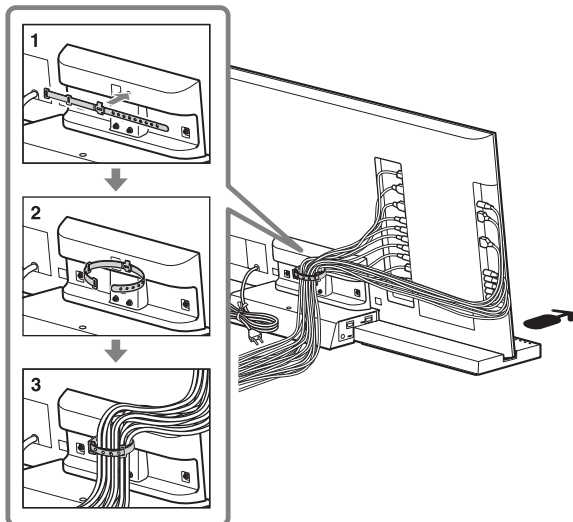
Skruer til fastgørelse af tv-bordets mellemstykke (PSW5 x 16) sort

## 6 Fastgør bagpladen til tv-bordet. (Kun for model SU-B550S)





## 7 Samling af kablerne.

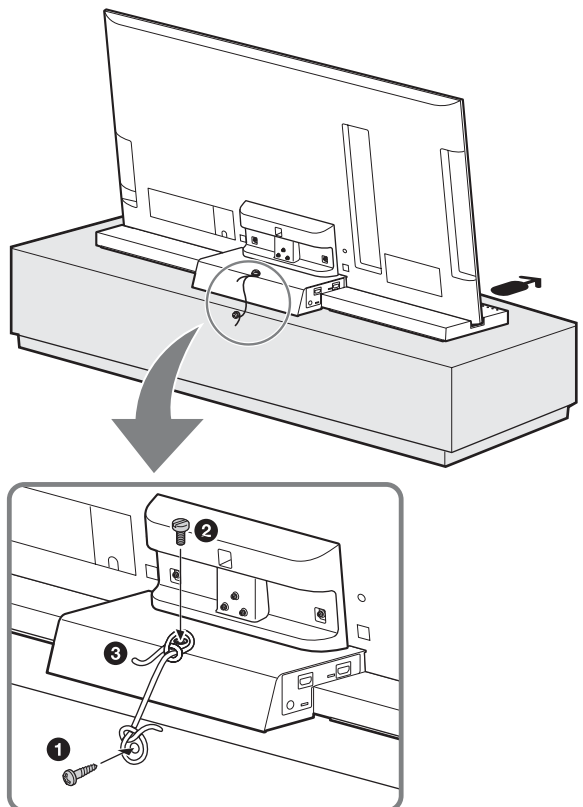


- Du må ikke samle strømkablet med de øvrige tilslutningskabler.

## Trin 3: Sikkerhedsforanstaltninger til at forhindre, at tv-bordet vælter

### ADVARSEL

Sørg for at tage forholdsregler for at forhindre, at tv-bordet vælter og muligvis forårsager personskade eller tingskade.



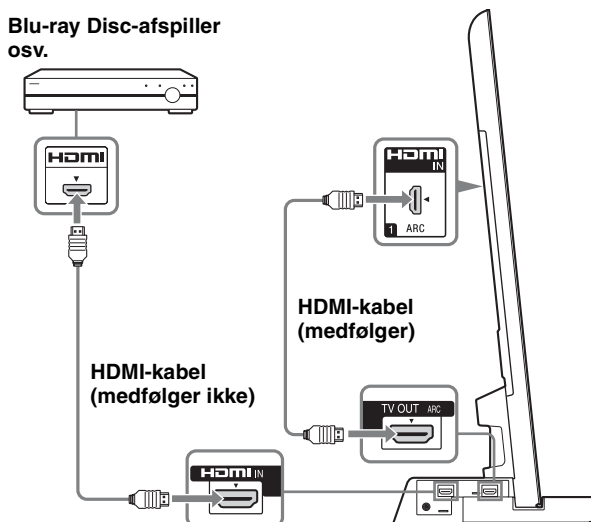
- 1 Placer en træskruer (4 mm i diameter, medfølger ikke) i brættet.
- 2 Skru en maskinskrue (M4 × 16, medfølger ikke) i skruetullet på tv-bordet.
- 3 Bind træskruen og maskinskruen sammen med en kraftig snor (medfølger ikke).

## Trin 4: Sådan tilsluttes tv'et og afspilleren

### Slut tv'et med HDMI-stik til tv-bordet ved hjælp af et HDMI-kabel.

Hvis du tilslutter "BRAVIA" Sync-kompatible komponenter ved hjælp af HDMI-kabler, bliver betjeningen nemmere, når du indstiller funktionen Kontrol til HDMI for tv'et.

Blu-ray Disc-afspiller osv.



- Tv-bordet er kompatibelt med funktionen Audio Return Channel (ARC). Hvis du tilslutter tv-bordet til det ARC-kompatible tv's HDMI-stik via et HDMI-kabel, behøver du ikke at tilslutte tv'et til tv-bordet med det digitalt optiske kabel.
- Du kan se bogstaverne "ARC" ved siden af tv'ets HDMI-stik, hvis det er kompatibelt med ARC-funktionen. Selvom du tilslutter et HDMI-kabel til stikket, kan du ikke bruge ARC-funktionen, hvis HDMI-indgangsstikket ikke er kompatibelt med ARC-funktionen.
- ARC-funktionen er kun tilgængelig, når Kontrol til HDMI er aktiveret.



- HDMI-signalet sendes fra den tilsluttede komponent til tv'et via HDMI-forbindelsen, selvom der er slukket for tv-bordet (aktiv standby). Billeder og lyd fra komponenten kan afspilles på tv'et.

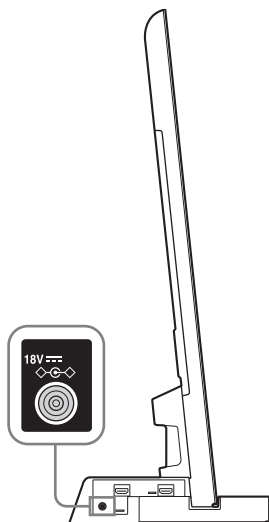
### Bemærkninger om HDMI-tilslutninger

- Brug et højhastigheds-HDMI-kabel. Hvis du bruger et standard-HDMI-kabel, vises 1080p-, Deep Colour- eller 3D-billeder muligvis ikke korrekt.
- Vi anbefaler, at du bruger et HDMI-autoriseret kabel.
- Kontroller indstillingen på den tilsluttede komponent, hvis billedet er dårligt, eller lyden ikke kommer ud af en komponent, der er tilsluttet via HDMI-kablet.

- Lydsignaler (samplingsfrekvens, bitlængde osv.) fra et HDMI-stik kan blive undertrykt af den tilsluttede komponent.
- Der kan opstå afbrydelser i lyden, når der skiftes samplingsfrekvens eller antal kanaler for lydsignaler fra den afspillende komponent.
- Hvis den tilsluttede komponent ikke er kompatibel med ophavsretsbeskyttet teknologi (HDCP), kan billedet og/eller lyden fra HDMI TV OUT-stikket blive forvrænget eller kan ikke sendes.  
Hvis dette sker, skal du kontrollere specifikationerne for den tilsluttede komponent.
- Vi fraråder brug af et HDMI-DVI-omformerkabel.
- Dette system understøtter overførsel af Deep Colour, "x.v.Colour" og 3D.

## Trin 5: Tilslutning af netledning

Tilslut alle andre komponenter og tv'et til tv-bordet, før tv-bordets netledning tilsluttes til stikkontakten.



- Tilslut tv-bordet til en let tilgængelig stikkontakt. Hvis du bemærker en anormalitet ved tv-bordet, skal hovedstrømmen fra stikkontakten øjeblikkeligt afbrydes.

## Trin 6: Sådan laves tv- indstillingerne

### 1 Indstil til "Til" i funktionen "Kontrol til HDMI".

Tryk på knappen HOME på tv'ets fjernbetjening, og vælg menuen på følgende måde;

📺 Indstillinger > 📺 Eksterne indgange > HDMI-opsætning > Kontrol til HDMI > Til

### 2 Indstil til "Audiosystem" i menuen "Højttalere".

Tryk på knappen HOME på tv'ets fjernbetjening, og vælg menuen på følgende måde;

📺 Indstillinger > 🔊 Lyd > Højttalere > Audiosystem



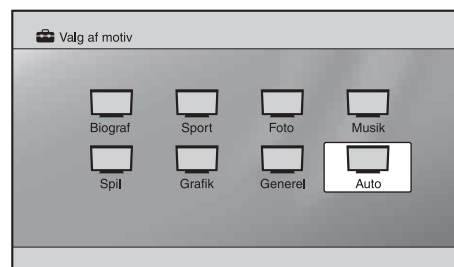
- Når indstillingerne for fremgangsmåde 1 og 2 er gennemført, lyser indikatoren **I** (power) grønt.



### • Tilstanden valg af motiv

Tv-bordet synkroniseres automatisk med tv'ets lydindstilling og fungerer sammen med funktionen valg af motiv, så du kan vælge den foretrukne lyd for det valgte motiv.

Du skal ændre tv'ets lydindstillinger, hvis du vil ændre lyden.



Før du bruger denne tilstand, skal du sørge for, at følgende indstillinger er lavet på tv'et.

# Fejlafhjælpning

## Lyd

Ingen lyd:

- Kontroller HDMI-kabelforbindelsen.
- Kontroller indstillingerne for "Kontrol til HDMI" og "Audiosystem" i trin 6 (side 9).

Brug med hovedtelefoner:

- Indstil "Audiosystem" til "TV-højttaler" i indstillingen "Højttalere".

Brug med to-kanal lyd for digital tv-transmission:

- Afhængigt af transmissionen kan lyden ikke skifte. Skift indstillingen "Optisk udgang" på tv'et fra "Auto" til "PCM".

Brug med eksternt udstyr for to-kanal lyd:

- Hvis lyden ikke kan skifte, skal du ændre lydudgangsindstillingen for eksternt udstyr for at aktivere PCM.

## Indikator

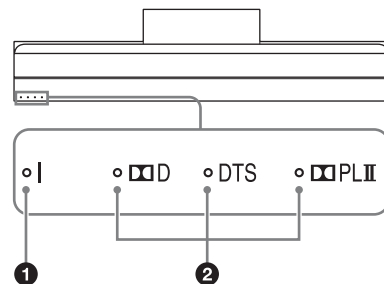
Selvom tv'et er tændt, lyser indikatoren **I** (power) på tv-bordet ikke:

- Kontroller netledningens forbindelse osv.
- Kontakt kundesupportservice.

Indikatoren **I** (power) blinker rødt:

- Der er muligvis opstået en funktionsfejl i produktet. Kontroller, hvor mange gange lysdioden blinker, og kontakt et Sony-servicecenter.

# Indikator



## 1 Indikator I (power)

Lyser som følger:

Grøn: Tv-bordet er tændt. ("Audiosystem" er indstillet for "Højttalere".)

Slukket: Tv-bordet er i standby eller slukket.

## 2 Indikatorer for lydformat

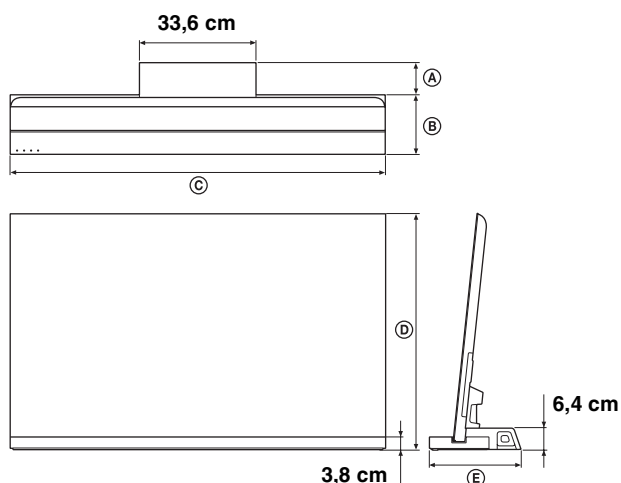
Lyser i overensstemmelse med det lydformat, der sendes til tv-bordet.

**D**: Dolby Digital

DTS

**PLII**: Dolby Pro Logic II

# Specifikationer



		SU-B550S	SU-B460S	SU-B400S
Mål: cm	Ⓐ	8,1	9,3	10
	Ⓑ	20	17,2	16,1
	Ⓒ	127,6	108,3	94,4
	Ⓓ	79,3	68,4	60,6
	Ⓔ	28,1	26,5	26,1
Vægt på bord:		5,8 kg	5,4 kg	5,1 kg

## Forstærker

Nominal effekt Front: 10 W + 10 W, (pr. kanal)  
12 ohm, 1 kHz, THD under 1 %  
Subwoofer: 20 W, 6 ohm, 100 Hz,  
THD under 1 %

## HDMI

Stik HDMI™-stik  
Videoindgange/udgange 640 × 480p@60 Hz  
720 × 480p@59,94/60 Hz  
1280 × 720p@59,94/60 Hz  
1920 × 1080i@59,94/60 Hz  
1920 × 1080p@59,94/60 Hz  
720 × 576p@50 Hz  
1280 × 720p@50 Hz  
1920 × 1080i@50 Hz  
1920 × 1080p@50 Hz  
1920 × 1080p@24 Hz  
Deep Colour: 30 bit/36 bit

Videoindgange/  
udgange (3D)

1280 × 720p@59,94/60 Hz  
Billedpakning  
1920 × 1080i@59,94/60 Hz  
Billedpakning  
1920 × 1080i@59,94/60 Hz  
Side-om-side (halv)  
1920 × 1080p@59,94/60 Hz  
Side-om-side (halv)  
1280 × 720p@50 Hz  
Billedpakning  
1920 × 1080i@50 Hz  
Billedpakning  
1920 × 1080i@50 Hz  
Side-om-side (halv)  
1920 × 1080p@50 Hz  
Side-om-side (halv)  
1920 × 1080p@24 Hz  
Billedpakning  
Deep Colour: 30 bit/36 bit  
Lineær PCM-7.1-kanals/  
Dolby Digital/DTS

Lydindgange

## Højttalere

### Fronthøjttaler

Højttalersystem 2-vejs 3-driver, basrefleks  
Højttalerenhed Woofer: 30 × 82 mm  
keglemembran ×2  
Tweeter: 14 mm kuppelformet type

### Subwoofer

Højttalersystem Subwoofer, basrefleks  
Højttalerenhed 70 mm keglemembran

## Generelt

Strømkraft 100 – 240 V, 50/60 Hz  
Strømforbrug  
Tændt: 12 W  
Standby: 0,7 W

- Strømforbrug i standby: 0,7 W
- Halogenerede flammehæmmende midler bruges ikke i de bestemte printkort.
- Over 85 % af forstærkerblokkens strømeffekt opnås med den komplet digitale forstærker, S-Master.

Design og specifikationer kan ændres uden varsel.

# Turvallisuus

**Kiitos, että olet hankkinut tämän tuotteen. Sony-tuotteet on suunniteltu turvallisiksi. Virheellinen käyttö voi kuitenkin aiheuttaa tulipalon, sähköiskun tai tuotteen kaatumisen tai putoamisen ja siten aiheuttaa vakavan vamman. Noudata turvallisuusvaroitointia, jotta vältät tällaiset vahingot.**

Tässä käyttöohjeessa on esitetty tuotteen oikea käyttö ja tärkeät varoitukset, joita noudattamalla voit välttää vahingot. Lue tämä käyttöohje kokonaan ja varmista, että käytät tuotetta oikein. Säilytä tämä käyttöohje myöhempiä ohjeiden tarvetta varten.

Tämän tuotteen valmistaja on Sony Corporation, 1-7-1 Konan Minato-ku Tokyo, 108-0075 Japani. Tuotteen turvallisuuden ja EMC hyväksyjä on Sony Deutschland GmbH, Hedelfinger Strasse 61, 70327 Stuttgart, Saksa. Kaikissa tuotteen huolto- tai takuuasioissa ottakaa yhteys valtuutettuun Sony huoltoon.

# VAROITUS

## Kohdetuotteet

Tämä jalusta on suunniteltu käytettäväksi alla olevien Sony-tuotteiden kanssa. Tähän jalustaan saa asentaa vain mainitut kohdetuotteet.

Seuraavat tuotteet voivat muuttua erikseen ilmoittamatta, ne voivat olla loppu varastosta tai niiden valmistus on voitu lopettaa.

Lisäksi määrätty mallit ovat saatavana vain tietyillä alueilla.

	LCD-väritelevisio
SU-B550S	KDL-55NX81□*
SU-B460S	KDL-46NX71□*
SU-B400S	KDL-40NX71□*

(Alkaen elokuu 2010)

\* Varsinaisissa mallinimissä ”□” viittaa mallikohtaisiin numeroihin ja/tai merkkeihin.

## Tunnistuslapun sijainti

Mallinumeron lappu sijaitsee televisiojalustan takana.

## Televisiojalustan hävittäminen



**Käytöstä poistettujen sähkö- ja elektroniikkalaitteiden hävittäminen (koskee Euroopan yhteisön ja muiden Euroopan maiden jätehuoltoa)**

Tämä laitteeseen tai sen pakkaukseen merkitty symboli tarkoittaa, että laitetta ei saa käsitellä kotitalousjätteenä. Sen sijaan laite on toimitettava sähkö- ja elektroniikkalaitteiden kierrätyksestä huolehtivaan keräys-

ja kierrätyspisteeseen. Varmistamalla, että tämä laite hävitetään asianmukaisesti, voit auttaa estämään mahdollisia ympäristö- ja terveyshaittoja, joita muuten voi aiheuttaa laitteen epäasianmukaisesta käsittelystä. Materiaalien kierrätys säästää luonnonvaroja. Lisätietoja laitteen käsittelystä, talteenotosta ja kierrätyksestä on saatavilla paikallisilta ympäristöviranomaisilta, jätehuoltokeskuksesta tai liikkeestä, josta laite on ostettu.

# VAARA

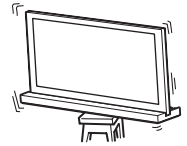
**Jos seuraavia varoituksia ei noudateta, voi aiheutua tulipalo, sähköisku tai tuotteen kaatuminen ja siten vakava vamma.**

## Huolehdi tarvittavista toimenpiteistä, joilla estetään televisiojalustan kaatuminen.

Muuten televisio voi kaatua ja aiheuttaa vamman. Kiinnitä televisiojalusta ja teline yms. kaatumisen estämiseksi.

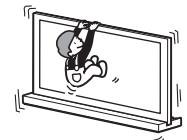
## Asenna televisiojalusta vakaalle pinnalle.

Jos asennat televisiojalustan epävakaalle pinnalle, se voi kaatua tai pudota. Tällöin voi seurata vammautumisen tai omaisuusvahinko.



## Älä nojaa televisioon tai roiku siinä, kun se on asennettu televisiojalustaan.

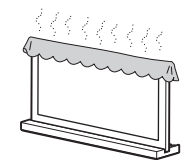
Televisiojalusta voi kaatua tai televisio voi pudota ja aiheuttaa vakavan vamman tai kuoleman.



## Älä peitä television tuuletusaukkoja.

Television tuuletusaukkojen tarkoituksena on varmistaa television luotettava toiminta ja suojata se ylikuumenemiselta.

- Älä tuki tai peitä tuuletusaukkoja liinalla tai muilla materiaaleilla.
- Älä koskaan päästä nesteitä tai kiinteitä kappaleita putoamaan sisään tuuletusaukoista.



## Älä aseta television päälle nesteellä täytettyjä esineitä, kuten maljakkoa tai ruukkukasvia.

**Älä käytä verkkovirralla toimivaa televisiota veden tuntumassa, esimerkiksi kylpyammeen, lavuaarin, pesualtaan tai vesisaavin vieressä tai kosteassa kellarissa, lähellä uima-allasta yms.**

**Älä asenna televisiota paikkaan, jossa se altistuu ääriämpötiloille; esimerkiksi suoraan auringonvaloon tai lämmityspatterin tai lämmityssäleikön viereen.**

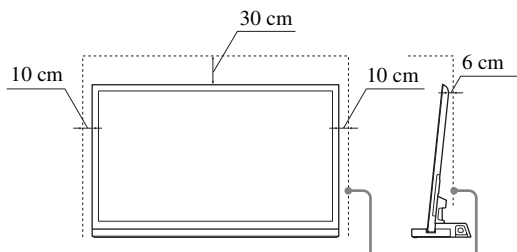
Televisio voi ylikuumentua, minkä seurauksena kotelo voi taipua ja/tai televisioon voi tulla toimintahäiriö.

**Älä asenna televisiota paikkaan, jossa se on suoraan alttiina ilmastoidulle ilmalle.**

Television sisään voi tiivistyä kosteutta, joka voi aiheuttaa television toimintahäiriön.

**Jätä riittävästi tilaa television ympärille asianmukaisen ilmankierron varmistamiseksi.**

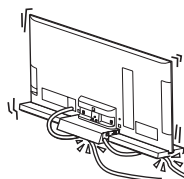
Jätä riittävästi tilaa television ympärille alla olevan kuvan mukaisesti.



Jätä vähintään näin paljon tilaa television ympärille.

## Virtajohto

- Käytä vain Sonyn toimittamia virtajohtoja; ei muun merkittäviä johtoja.
- Älä anna verkkovirtajohdon tai kaapelin jäädä puristuksiin, kun asennat television televisiojalustaan. Jos verkkovirtajohto tai kaapeli vaurioituu, seurauksena voi olla tulipalo tai sähköisku.
- Älä astu verkkovirtajohdon tai kaapelin päälle, kun kannat televisiojalustaa. Verkkovirtajohto tai kaapeli voivat vaurioitua ja seurauksena voi olla tulipalo tai sähköisku.
- Jos kompastut verkkovirtajohtoon tai kaapeliin, televisiojalusta voi kaatua ja aiheuttaa vamman.
- Kun verkkovirtajohto irrotetaan pistorasiasta, televisiojalustan virransyöttö katkeaa kokonaan.



## VIRTASOVITINTA KOSKEVA HUOMAUTUS

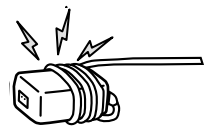
### Varoitus

Suojaa laite sateelta ja kosteudelta, jotta tulipalo- ja sähköiskuvaara voidaan välttää.

Älä sijoita laitteen päälle maljakkoa tai muita nestettä sisältäviä esineitä, jotta tulipalon tai sähköiskun vaara voidaan välttää.

Älä aseta tätä laitetta ahtaaseen tilaan, kuten kirjahyllyyn tai vastaavaan paikkaan.

- Varmista, että pistorasia sijaitsee laitteen lähellä ja että siihen pääsee helposti käsiksi.
- Käytä toimitettua virtasovitinta ja virtajohtoa.
- Älä käytä mitään muuta virtasovitinta. Muutoin laite voi vioittua.
- Kytke virtasovitin pistorasiaan, johon pääsee helposti käsiksi.
- Älä kierrä virtajohtoa virtasovittimen ympärille. Muuten keskusjohdin voi katketa ja/tai televisioon voi tulla vika.
- Älä kosketa virtasovitinta märin käsin.
- Jos huomaat virtasovittimessa jotakin poikkeavaa, irrota se heti pistorasiasta.
- Televisio ei ole irti virtalähteestä niin kauan kuin se on kytkettynä pistorasiaan, vaikka televisiosta olisi katkaistu virta.



## VAROITUS

Jos alla olevia varotoimia ei noudateta, on olemassa vammautumisen tai omaisuusvahingon vaara.

**Vain mainitun kohdetuotteen asennus on sallittua.**

Tämä televisiojalusta on suunniteltu käytettäväksi vain mainitun tuotteen kanssa. Jos asennat muun laitteen kuin mainitun kohdetuotteen, laite voi pudota tai rikkoutua ja aiheuttaa vamman. Tässä oppaassa olevissa kuvissa on esillä malli KDL-46NX71□, ellei toisin mainita.

**Huolehdi, että televisio on kiinnitetty paikalleen.**

Kiinnitä televisio televisiojalustaan mukana toimitetuilla ruuveilla. Jos televisiota ei asenneta tukevasti, se voi pudota tai televisiojalusta voi kaatua ja aiheuttaa vamman.

(Jatkuu)

## Asennusta koskevia huomautuksia

Huolehdi, ettei televisiojalustaa asenneta kulmaan tai kallelleen. Noudata seuraavia turvallisuusohjeita välttääksesi tämän.

Jos asennat televisiojalustan pehmeälle pinnalle, kuten matolle tai paksulle kankaalle, aseta ensin levy aiottuun kohtaan.

- Älä asenna televisiojalustaa suoraan auringonvaloon tai lämmityslaitteen lähelle.
- Älä asenna televisiojalustaa kuumaan tai kosteaan paikkaan eikä ulkotiloihin.

## Käyttöä koskevia huomautuksia

### Puhdistus

Pidä televisiojalusta puhtaana pyyhkimällä se ajoittain kuivalla ja pehmeällä liinalla. Hankalat tahrat voidaan poistaa pyyhkimällä niitä liinalla, jota on kostutettu miedolla pesuaineella. Kuivaa kohta lopuksi kuivalla ja pehmeällä liinalla. Älä käytä kemikaaleja, kuten ohenninta tai bensiiniä, sillä ne vahingoittavat televisiojalustan pintaa.

## Varmista, että asentamiseen osallistuu vähintään kaksi henkilöä.

Varmista, että television asentamiseen televisiojalustaan osallistuu vähintään kaksi henkilöä. Jos yksi henkilö suorittaa asennustyön yksin, seurauksena voi olla onnettomuus tai vamma.

## Älä tee muutoksia televisiojalustaan.

Se voi pudota ja aiheuttaa vamman.

## Asenna televisio paikalleen tukevasti noudattamalla seuraavia ohjeita.

Kiinnitä ruuvit riittävän tiukalle. Jos televisiota ei asenneta paikalleen tukevasti, se voi pudota ja aiheuttaa vamman.

## Varo vahingoittamasta käsiäsi tai sormiasi kokoamisen aikana.

- Älä liikuta televisiojalustaa kaulaosasta kannatellen.
- Varo vahingoittamasta sormiasi tai käsiäsi television asennuksen aikana.

## TURVALLISUUSOHJEITA

## Virransyöttöä koskevia huomautuksia

- Jos televisiojalustan käyttöön tulee pitkä tauko, irrota televisiojalustan pistoke pistorasiasta. Irrota verkkovirtajohto pistorasiasta tarttumalla kiinni pistokkeeseen; älä koskaan vedä johdosta.
- Verkkovirtajohdon saa uusia vain valtuutettu huoltoliike.

## Käyttöä koskevia huomautuksia

Varmistu, että televisiojalusta on kytketty pois päältä ja irti pistorasiasta ennen muiden laitteiden kytkentää.

## Tekijänoikeudet

Tämä televisiojalusta sisältää seuraavia teknologioita: Dolby\* Digital ja Pro Logic Surround ja DTS\*\* Digital Surround System.

\* Valmistettu Dolby Laboratoriesin lisenssillä.

Dolby, Pro Logic ja kaksois-D-symboli ovat Dolby Laboratoriesin tuotemerkkejä.

\*\* Valmistettu lisenssillä koskien seuraavia Yhdysvaltain patenteja: 5 451 942; 5 956 674; 5 974 380; 5 978 762; 6 487 535 sekä muita Yhdysvalloissa ja muissa maissa voimassa olevia tai käsittelyssä olevia patenteja. DTS ja Symboli ovat rekisteröityjä tavaramerkkejä; DTS Digital Surround ja DTS-logot ovat tavaramerkkejä, jotka omistaa DTS, Inc. Tuote sisältää ohjelmiston. © DTS, Inc. Kaikki oikeudet pidätetään.

Tämä televisiojalusta sisältää High-Definition Multimedia Interface (HDMI™) -teknologiaa.

HDMI, HDMI-logo ja High-Definition Multimedia Interface ovat tavaramerkkejä tai Yhdysvalloissa ja muissa maissa rekisteröityjä tavaramerkkejä, jotka omistaa HDMI Licensing LLC.

BRAVIA on Sony Corporationin omistama tavaramerkki.

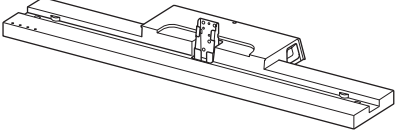

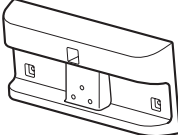
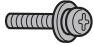





## Televisiojalustan pakkauksen purkamista koskeva huomautus

Kannattele ja käsittele televisiojalustaa huolellisesti.

## Vaihe 1: Osien tarkistaminen

Nimi	Määrä
Jalusta 	1
Takakansi* 	2
Nivel 	1
Televisiojalustan kaulaosan kiinnitysruuvi (PSW5 × 16) musta (× 3) Nivelen ruuvi (PSW5 × 16) musta (× 3) 	6
Verkkosovitin	
Virtajohto	
Nopea HDMI-kaapeli	1
Kaapelipidike 	1
Käyttöopas	1
Takuukortti	

\* Koskee vain mallia SU-B550S.

### VAARA

Jos verkkovirtajohtoon annetaan jäädä puristuksiin laitteiden alle tai väliin, seurauksena voi olla oikosulku tai sähköisku. Jos kompastut verkkovirtajohtoon tai kaapeliin, televisiojalusta voi kaatua ja aiheuttaa vamman.

### Valitse asennuspaikka ja laske televisiojalusta alas ennen television asennusta.

Televisio on painava laite, joten on suositeltavaa päättää asennuspaikka etukäteen ja koota televisiojalusta asennuspaikassaan.

Katso TV:n mukana toimitetusta käyttöohjeesta tietoja siitä, kuinka voit irrottaa pöytäjalustan TV:stä.

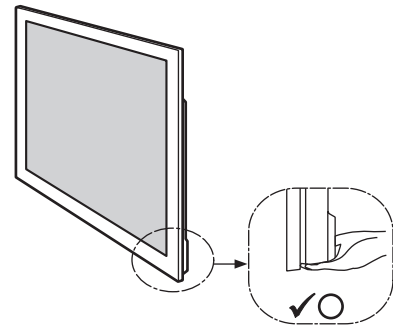
## Vaihe 2: Television asennus

### Ennen kokoamistyön aloittamista

- Varmistu ennen kokoamistyön aloittamista, että käytettävissä on Phillips-ristipääruuvinväännin, joka sopii ruuveihin.
- Jos kiristät ruuveja sähkökäyttöisellä ruuvinvääntimellä, valitse kiristysvoiman asetukseksi noin 1,5 N·m { 15 kgf·cm }.

### 1 Pidä televisiota osoitetussa kohdassa, kun siirät televisiota.

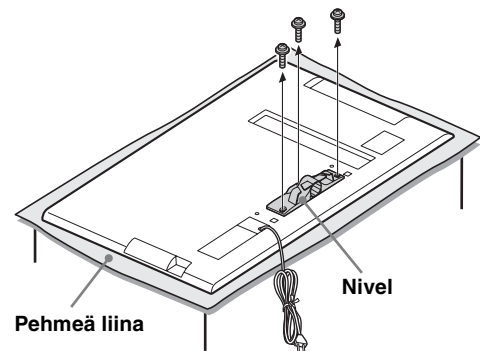
Varmistu, että pidät televisiota kuvan mukaisesti:



- Kun siirät televisiota käsin, pidä sitä yllä olevan kuvan mukaisesti. Älä kuormita nestekidepaneelia tai ruudun kehystä.

### 2 Irrota ruuvit television takana olevasta nivelestä.

Irrota liu'uttamalla niveltä alaspäin.



- Säilytä irrotetut ruuvit.
- Kun irrotat pöytäjalustaa näytöstä, aseta näyttö kuvapuoli alaspäin vakaalle työtasolle, joka on näyttöä suurempi.
- Aseta työtasolle pehmeä liina, ettei LCD-näytön pinta vaurioiduu.

(Jatkuu)

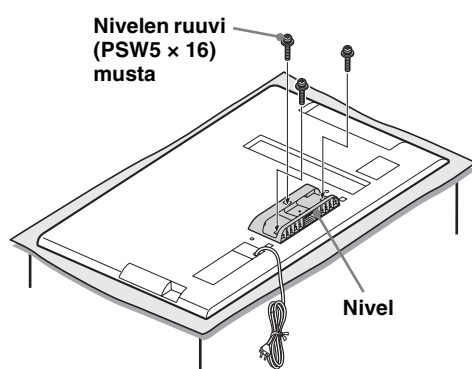
## VAROITUS

- Jos näytön pintaan kohdistuu painetta tai isku, LCD-näyttö voi rikkoutua tai vaurioitua.
- Aseta näyttö kuvapuoli alaspäin vakaalle ja tasaiselle tasolle siten, että pöytäjalusta jää tason reunan ulkopuolelle.

Jos näytön kuvapuoli ja pöytäjalustan pohja ovat samalla tasopinnalla, työskentelyolosuhteet ovat epävakaat ja näyttö voi vaurioitua.

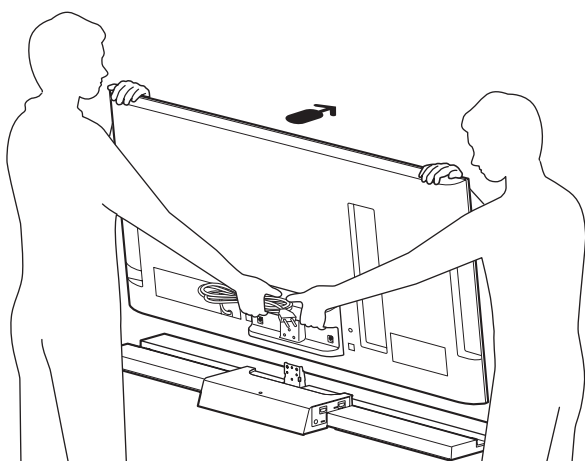
### 3 Kiinnitä mukana toimitettu nivel television takaosaan kolmella ruuvilla (PSW5 × 16) musta (sisältyy toimitukseen).

Kiinnitä mukana toimitettu nivel liu'uttamalla sitä ylöspäin.



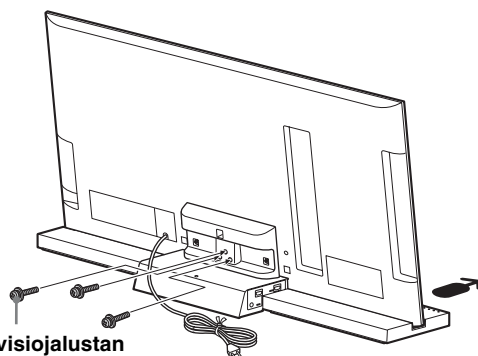
### 4 Kiinnitä televisio televisiojalustaan.

Televisio asennetaan paikalleen asettamalla se televisiojalustassa olevaan uraan.



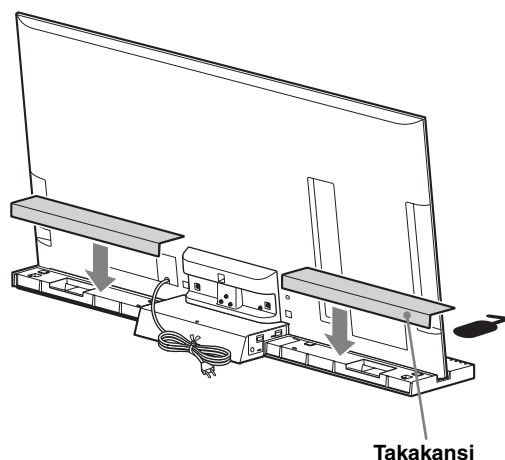
← Nuoli osoittaa kohti televisiojalustan etupuolta.

### 5 Kiinnitä televisio ja televisiojalusta kolmella televisiojalustan kaulaosan kiinnitysruuvilla (PSW5 × 16) musta (sisältyy toimitukseen).

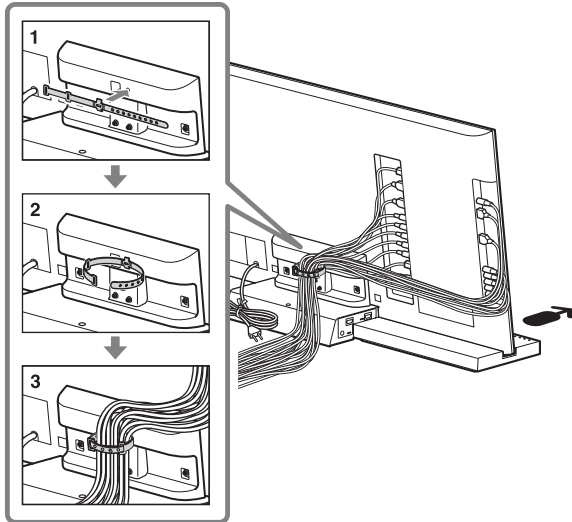


Televisiojalustan kaulaosan kiinnitysruuvi (PSW5 × 16) musta

### 6 Kiinnitä takakansi televisiojalustaan. (Koskee vain mallia SU-B550S)



## 7 Kaapeleiden niputtaminen.

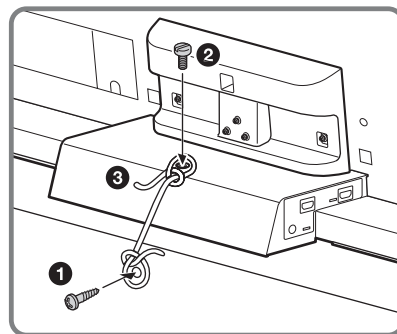
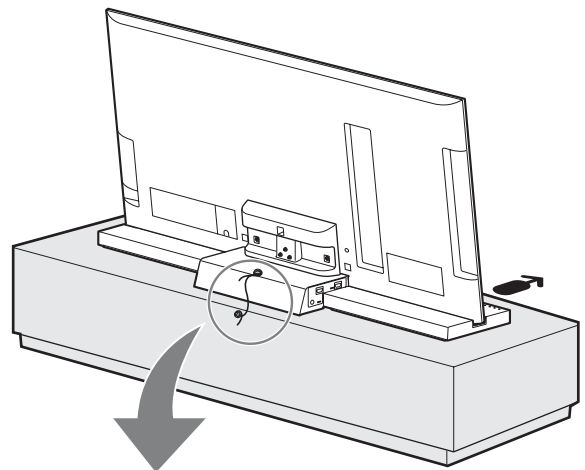


- Älä niputa virtajohtoa samaan nippuun muiden kaapeleiden kanssa.

## Vaihe 3: Turvatoimet kaatumisen estämiseksi

### VAARA

Huolehdi tarvittavista toimenpiteistä, joilla estetään televisiojalustan kaatumisen, minkä seurauksena voi olla loukkaantuminen tai laitevaurio.

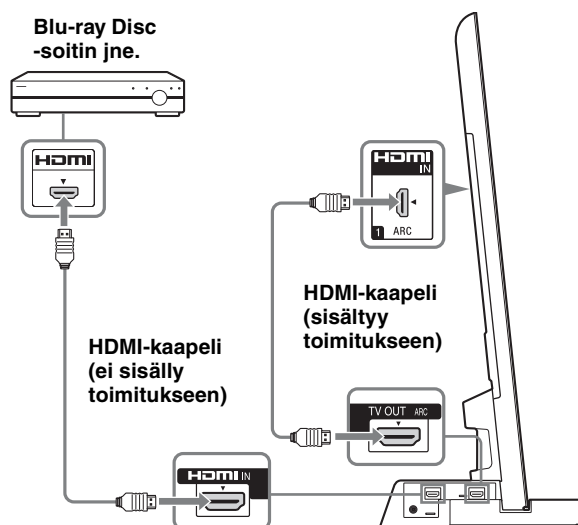


- 1 Kiinnitä levyyn puuruuvi (halkaisija 4 mm, lisävaruste).
- 2 Kiinnitä televisiojalustassa olevaan ruuvinreikään sopiva koneruuvi (M4 × 16, lisävaruste).
- 3 Sido puuruuvin ja koneruuvin väliin vahva naru (lisävaruste).

## Vaihe 4: Television ja soittimen kytkentä

### Kytke television ja televisiojalustan HDMI-liitännät HDMI-kaapelilla.

Kun kytket Sony BRAVIA Sync -yhteensopivat laitteet HDMI-kaapeleilla, laitteiden käyttö helpottuu, kun kytket päälle HDMI-ohjaus -toiminnon televisiossa.



- Televisiojalusta tukee Audio Return Channel (ARC)-toimintoa. Jos kytket televisiojalustan ARC-yhteensopivan televisioon HDMI-liitäntään HDMI-kaapelilla, televisiota ei tarvitse kytkeä televisiojalustaan optisella digitaalikaapelilla.
- Televisio on ARC-yhteensopiva, jos television HDMI-liitännän vieressä on kirjaimet "ARC". ARC-toiminto ei ole käytettävissä, vaikka kytkisit HDMI-kaapelin liitäntään, jos HDMI-liitäntä ei ole ARC-yhteensopiva.
- ARC-toiminto on käytettävissä vain silloin kun HDMI-ohjaus on kytketty päälle.



- HDMI-signaali välitetään television HDMI-liitäntään kytketystä laitteesta, vaikka televisiojalusta on kytketty pois päältä (aktiivinen valmiustila). Voit nauttia laitteen välittämästä kuvasta ja äänestä television kautta.

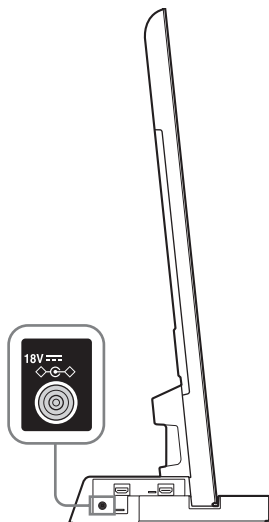
#### HDMI-liitäntää koskevia huomautuksia

- Käytä nopeaa HDMI-kaapelia. Jos käytät tavanomaista HDMI-kaapelia, 1080p-, Deep Colour- ja 3D-kuva ei ehkä näy oikein.
- Suosittelemme käyttämään valtuutettua HDMI-kaapelia.
- Tarkista kytketyn laitteen asetukset, jos kuva on heikkolaatuinen tai ääntä ei kuulu HDMI-kaapelilla kytketystä laitteesta.

- Kytketty laite voi vaimentaa HDMI-liitännän kautta välitettävät äänisignaalit (näytteenottotaajuus, bittipituus jne.).
- Ääni voi katketa, jos toistavan laitteen lähtevän äänisignaalin näytteenottotaajuutta tai kanavien lukumäärää vaihdetaan.
- Jos kytketty laite ei tue kopiointisuojausteknologiaa (HDCP), HDMI TV OUT -liitännästä lähtevässä kuvassa ja/tai äänessä voi olla häiriöitä tai niitä ei ehkä toisteta lainkaan.  
Tarkista tällöin kytketyn laitteen tekniset tiedot.
- Emme suosittele HDMI-DVI-muunninkaapelin käyttöä.
- Tämä järjestelmä tukee Deep Colour-, x.v.Colour- ja 3D-siirtoa.

## Vaihe 5: Virtajohdon kytkentä

Kytke kaikki laitteet ja televisio televisiojalustaan ennen kuin kytket virtajohdon pistorasiaan.



- Kytke televisiojalusta pistorasiaan, josta pistoke on vaivattomasti irrotettavissa. Jos havaitset televisiojalustan toiminnassa jotain poikkeavaa, irrota verkkovirtapistoke välittömästi pistorasiasta.

## Vaihe 6: Television asetusten määritys

### 1 Valitse asetus "Päällä" kohdassa "HDMI-ohjaus".

Paina television kaukosäätimen HOME-painiketta ja tee seuraavat valinnat valikossa;

🗑️ Asetukset > 📺 Muut tulot > HDMI-perusasetukset > HDMI-ohjaus > Päällä

### 2 Valitse asetus "Äänijärjestelmä" valikossa "Kaiuttimet".

Paina television kaukosäätimen HOME-painiketta ja tee seuraavat valinnat valikossa;

🗑️ Asetukset > 🔊 Ääni > Kaiuttimet > Äänijärjestelmä



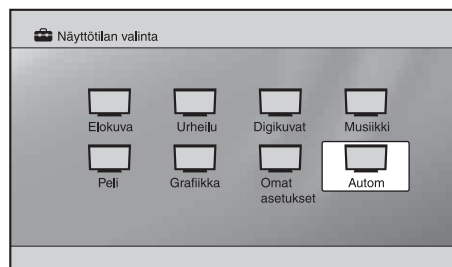
- Kun vaiheissa 1 ja 2 kuvatut asetukset on määritetty, I (virta) merkkivalo palaa vihreänä.



### • Näyttötilan valinta -tila

Television ääniasetukset synkronoidaan televisiojalustaan automaattisesti ja laite tukee Näyttötilan valinta -toimintoa, jonka avulla voit määrittää haluamasi äänen valittuun näyttötilaan.

Muuta ääntä muuttamalla television ääniasetuksia.



Ennen kuin käytät tätä tilaa, varmista, että seuraavat asetukset ovat valittuna televisiossa.

# Vianmääritys

## Ääni

Ei ääntä:

- Tarkista HDMI-kaapelin kytkentä.
- Tarkista kohdan ”HDMI-ohjaus” ja ”Äänijärjestelmä” asetukset vaiheessa 6 (sivu 9).

Kuulokekäyttö:

- Valitse asetuksen ”Äänijärjestelmä” tilalle asetus ”Television kaiutin” kohdassa ”Kaiuttimet”.

Käyttö television digitaalilähetyksen kaksoisäänellä:

- Ääntä ei voida ehkä vaihtaa lähetyksestä riippuen. Muuta television ”Optinen lähtö” -asetus valinnasta ”Autom.” valintaan ”PCM”.

Kaksoisäänen käyttö ulkoisia laitteita käytettäessä:

- Jos äänen vaihto ei ole mahdollista, kytke ulkoisessa laitteessa äänen lähtöasetukseksi PCM.

## Merkkivalo

Vaikka television virta on päällä, televisiojalustan

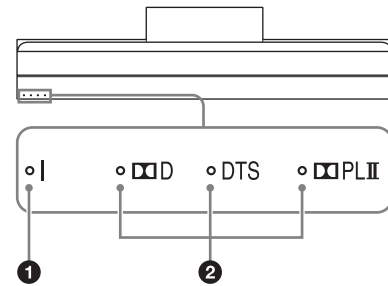
**I** (virta) -merkkivalo ei pala:

- Tarkista virtajohdon yms. kytkentä.
- Ota yhteys asiakastukeen.

Vilkkuva **I** (virta) -merkkivalo, punainen:

- Tuotteessa on ehkä toimintahäiriö. Tarkista, kuinka monta kertaa merkkivalo vilkkuu, ja ota yhteys Sony-huoltopalveluun.

# Merkkivalo



## 1 I (virta) -merkkivalo

Palaa seuraavasti:

Vihreä: Televisiojalustan virta on päällä.

(”Äänijärjestelmä” on valittu kohdassa ”Kaiuttimet”.)

Pois: Televisiojalusta on valmiustilassa tai pois päältä.

## 2 Äänen muodon merkkivalot

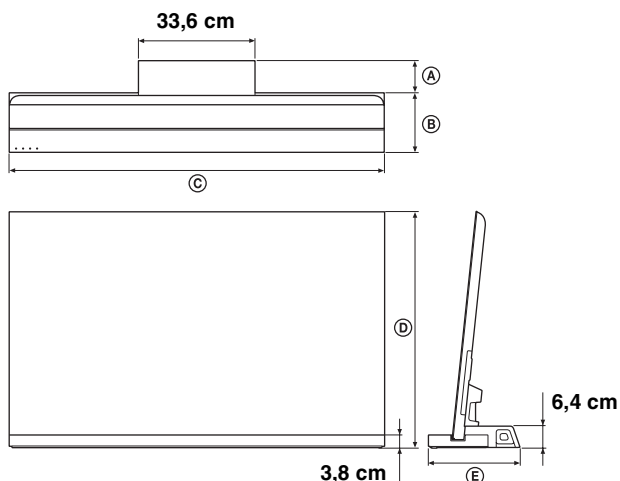
Merkkivalot palavat televisiojalustaan siirrettävän äänen muodosta riippuen.

**D**: Dolby Digital

DTS

**PLII**: Dolby Pro Logic II

# Tekniset tiedot



		SU-B550S	SU-B460S	SU-B400S
Mitat: cm	Ⓐ	8,1	9,3	10
	Ⓑ	20	17,2	16,1
	Ⓒ	127,6	108,3	94,4
	Ⓓ	79,3	68,4	60,6
	Ⓔ	28,1	26,5	26,1
Jalustan paino:		5,8 kg	5,4 kg	5,1 kg

## Vahvistinosa

Nimellisteho

Edessä: 10 W + 10 W,  
(kanavakohtainen) 12 ohmia, 1 kHz,  
harmoninen särö alle 1 %  
Subwoofer: 20 W, 6 ohmia, 100 Hz,  
harmoninen särö alle 1 %

## HDMI-osa

Liitäntä

HDMI™-liitin

Video-tulo-/  
-lähtöliitännät

640 × 480p@60 Hz  
720 × 480p@59,94/60 Hz  
1280 × 720p@59,94/60 Hz  
1920 × 1080i@59,94/60 Hz

1920 × 1080p@59,94/60 Hz

720 × 576p@50 Hz

1280 × 720p@50 Hz

1920 × 1080i@50 Hz

1920 × 1080p@50 Hz

1920 × 1080p@24 Hz

Deep Colour: 30-bittinen/36-bittinen

Video-tulo-/  
-lähtöliitännät (3D)

1280 × 720p@59,94/60 Hz

Ruudunpakkaus

1920 × 1080i@59,94/60 Hz

Ruudunpakkaus

1920 × 1080i@59,94/60 Hz

Vierekkäin (puolikas)

1920 × 1080p@59,94/60 Hz

Vierekkäin (puolikas)

1280 × 720p@50 Hz

Ruudunpakkaus

1920 × 1080i@50 Hz

Ruudunpakkaus

1920 × 1080i@50 Hz

Vierekkäin (puolikas)

1920 × 1080p@50 Hz

Vierekkäin (puolikas)

1920 × 1080p@24 Hz

Ruudunpakkaus

Deep Colour: 30-bittinen/36-bittinen

Audio-tuloliitännät

Lineaarinen PCM 7.1-kan./

Dolby Digital / DTS

## Kaiuttimet

### Etukaiutinyksikkö

Kaiutinjärjestelmä 2-tieratkaisu, 3 elementtiä,  
bassorefleksikotelo

Kaiutinyksikkö Bassokaiutin: 30 × 82 mm,  
kartiotyyppinen ×2  
Diskanttikaiutin: 14 mm,  
kalottityyppinen

### Subwoofer-yksikkö

Kaiutinjärjestelmä Subwoofer, bassorefleksikotelo  
Kaiutinyksikkö 70 mm, kartiotyyppinen

## Yleistä

Sähkövaatimukset 100–240 V, 50/60 Hz

Virrankulutus

Päällä: 12 W

Valmiustila: 0,7 W

- Virrankulutus valmiustilassa: 0,7 W
- Halogenoituja palonestoaineita ei ole käytetty määrättyissä piirilevyissä.
- Vahvistinyksikön yli 85 % hyötysuhde saavutetaan täysin digitaalisella S-Master-vahvistimella.

Valmistaja pidättää itsellään oikeuden muuttaa laitteen rakennetta ja ominaisuuksia siitä erikseen ilmoittamatta.

## Om sikkerhet

**Takk for at du valgte dette produktet. Produkter fra Sony er konstruert med sikkerhet i tankene. Feil bruk kan føre til alvorlig skade som følge av brann, elektrisk støt, at produktet velter eller at det faller ned. Sørg for at du leser nøye gjennom sikkerhetsreglene for å hindre ulykker.**

Denne instruksjonshåndboken viser riktig håndtering av produktet og viktige forholdsregler som er nødvendig for å hindre ulykker. Les denne håndboken nøye og bruk produktet korrekt. Ha denne håndboken tilgjengelig for fremtidig bruk.

Produsenten av dette produktet er Sony Corporation, 1-7-1 Konan Minato-ku Tokyo, 108-0075 Japan. Autorisert representant for EMC og produktsikkerhet er Sony Deutschland GmbH, Hedelfinger Strasse 61, 70327 Stuttgart, Germany. For service eller garanti saker vennligst se adressene nevnt i det separate service eller garantidokumentet.

## FORSIKTIG

### Spesifiserte produkter

Dette stativet er laget for bruk med Sony-produktene som er angitt nedenfor. Det må ikke monteres på andre produkter enn de som er angitt.

Følgende produkter kan bli underlagt endringer uten varsel, kan være utsolgt eller tatt ut av produksjon.

Enkelte modeller selges dessuten bare i bestemte områder.

	LCD farge-TV
SU-B550S	KDL-55NX81□*
SU-B460S	KDL-46NX71□*
SU-B400S	KDL-40NX71□*

(Per aug. 2010)

\* Bokstaven "□" indikerer modellspesifikke tall og/eller tegn i de faktiske modellnavnene.

### Plassering av identifikasjonsmerke

Etikett med modellnr. er plassert på baksiden av TV-stativet.

### Kassering av TV-stativet



**Avhending av gamle elektriske og elektroniske apparater (gjelder i den Europeiske Unionen og andre europeiske land med separat innsamlingssystem)**

Dette symbolet på produktet eller emballasjen indikerer at dette produktet ikke må behandles som husholdningsavfall. I stedet skal det leveres til spesiell innsamlingsstasjon for gjenvinning av elektrisk og elektronisk utstyr. Ved å sørge for at dette produktet avhendes på korrekt måte, vil du være med på å forhindre mulige negative følger for miljøet og helse,

som ellers kan forårsakes av feilaktig avfallshåndtering av dette produktet. Gjenvinning av disse materialene vil være med på å ta vare på våre naturressurser. For mer informasjon om gjenvinning av dette produktet, kan du kontakte lokale myndigheter, renovasjonsverket der du bor eller butikken der du kjøpte produktet.

## ADVARSEL

**Hvis følgende forholdsregler ikke følges, kan det føre til alvorlig skade eller dødsfall gjennom brann, elektrisk støt eller ved at produktet velter.**

### TV-stativet må sikres slik at det ikke kan velte.

Hvis du ikke gjør dette, kan TV-apparatet velte og forårsake personskader.

TV-stativet og benken e.l. må forankres for å hindre at de velter.

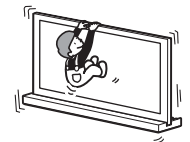
### TV-stativet må installeres på et stabilt underlag.

Hvis du installerer TV-stativet på ustabil underlag, kan det miste balansen og velte eller falle ned. Dette kan føre til personskade eller skade på gjenstander.



### Ikke len deg på eller heng fra TV-en når den er montert på TV-stativet.

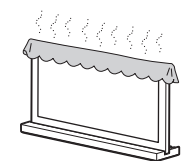
TV-stativet kan velte, eller TV-en kan falle ned og forårsake alvorlig personskade eller dødsfall.



### Ikke dekk til ventilasjonshullene på TV-apparatet.

Ventilasjonsåpningene i TV-en er nødvendige for å sikre pålitelig funksjon, og for å beskytte TV-en mot overoppheting.

- Ventilasjonsåpningene må ikke blokkeres med stoff eller andre materialer.
- La aldri væske eller gjenstander komme inn i ventilasjonsåpningene.



### Unngå å plassere væskefylte gjenstander, for eksempel vaser eller potteplanter, på TV-apparatet.



**TV-apparat som drives via strømmettet må ikke brukes i nærheten av vann, for eksempel ved badekar, vaskeservant, kjøkkenvask, utslagsvask, svømmebasseng osv.**

**TV-en må ikke installeres på steder der den er utsatt for ekstreme temperaturer, for eksempel i direkte sollys, ved en radiator eller et varmeinntak.**

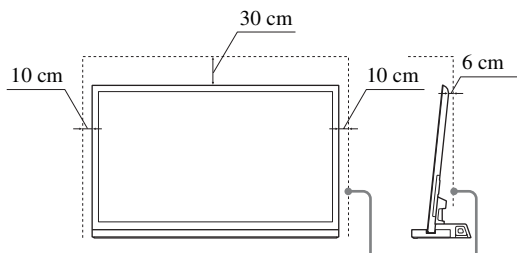
TV-en kan bli overopphetet under slike forhold, noe som kan føre til at innkapslingen blir deformert og/eller at TV-en ikke fungerer som den skal.

**TV-en må ikke installeres på steder der den er utsatt for luft direkte fra klimaanlegg.**

Fuktighet kan kondensere i TV-en og føre til at den ikke fungerer som den skal.

**La det være nok plass rundt TV-en til å sikre tilstrekkelig luftsirkulasjon.**

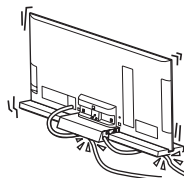
La det være nok plass rundt TV-en som vist under.



La det være minst så mye plass rundt fjernsynet.

## Nettledning

- Bruk kun nettledninger fra Sony, og ikke fra andre merker.
- Nettledningen eller tilkoblingskabelen må ikke komme i klemme når du installerer TV-en eller TV-stativet. Hvis nettledningen eller tilkoblingskabelen blir skadet, kan det føre til brann eller elektrisk støt.
- Unngå å trække på nettledningen eller tilkoblingskabelen når du løfter TV-stativet. Nettledningen eller tilkoblingskabelen kan bli skadet, og det kan føre til brann eller elektrisk støt.
- Hvis du snubler over nettledningen eller tilkoblingskabelen, kan TV-stativet velte og forårsake personskade.
- Hvis støpselet trekkes ut av stikkkontakten, fjernes all strømforsyning til TV-stativet.



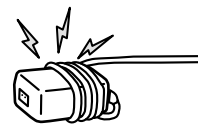
## MERKNAD OM STRØMADAPTER

### Advarsel

For å redusere risikoen for brann eller elektrisk sjokk, utsett ikke apparatet for regn eller fuktighet.

For å forhindre fare for brann eller sjokk, ikke plasser gjenstander som er fylt med væsker, som vaser, på apparatet. Ikke monter dette utstyret i et lukket område, som i en bokhylle eller lignende.

- Sørg for at en stikkontakt er installert i nærheten av utstyret og at denne er lett tilgjengelig.
- Sørg for at du bruker den medfølgende strømadapteren og nettledningen.
- Ikke bruk en annen strømadapter. Dette kan føre til en funksjonsfeil.
- Koble strømadapteren til en stikkontakt som er lett tilgjengelig.
- Ikke snurr nettledningen rundt strømadapteren. Kjerneledningen kan bli kuttet av og/eller det kan forårsake en funksjonsfeil på TV-en.
- Ikke ta på strømadapteren med våte hender.
- Hvis du merker noe unormalt med strømadapteren, må du straks koble den fra stikkontakten.
- Fjernsynet er ikke koblet fra strømkilden så lenge det er koblet til stikkontakten, selv om selve fjernsynet er slått av.



## FORSIKTIG

Hvis følgende forholdsregler ikke følges kan det oppstå skader på personer eller eiendom.

**Ikke installer annet utstyr enn det spesifiserte produktet.**

Dette TV-stativet er konstruert kun for bruk med det spesifiserte produktet. Hvis du installerer annet utstyr enn det som er angitt, kan det falle ned eller gå i stykker, og dermed forårsake personskade. Illustrasjonene i denne håndboken viser KDL-46NX71□, hvis ikke annet er angitt.

**TV-en må sikres.**

Fest TV-en til TV-stativet med de medfølgende skruene. Hvis TV-en ikke installeres sikkert, kan den falle ned eller TV-stativet kan velte, noe som kan forårsake personskade.

(Fortsetter)

## Merknader til installasjon

Unngå å installere TV-stativet på skrå eller på hellende underlag. Unngå dette ved å følge disse forholdsreglene. Hvis TV-stativet installeres på mykt underlag, for eksempel et teppe, legger du først en plate på installasjonsstedet.

- Unngå å installere TV-stativet på et sted der det utsettes for direkte sollys, eller nær en varmekilde.
- TV-stativet må ikke installeres på varme eller fuktige steder, eller utendørs.

## Merknader til bruk

### Rengjøring

Tørk av TV-stativet med en tørr, myk klut av og til for å holde det rent. Vanskelige flekker kan fjernes ved å tørke med en klut lett fuktet med mildt rengjøringsmiddel. Pass på å tørke av området med en tørr, myk klut etterpå. Bruk ikke kjemikalier som tynner eller bensin, det kan skade overflaten på TV-stativet.

## Installasjonsarbeidet må utføres av to eller flere personer.

Det kreves to eller flere personer for å installere TV-en på TV-stativet. Hvis én person utfører installasjonen alene, kan det føre til en ulykke eller personskaade.

## Det må ikke utføres endringer på TV-stativet.

Det kan falle ned og forårsake skade.

## Pass på at TV-apparatet installeres sikkert i henhold til instruksjonene.

Trekk til skruene ordentlig. Hvis TV-apparatet ikke installeres sikkert, kan det falle ned og forårsake personskaade.

## Pass på at du ikke skader hender eller fingre under monteringen.

- Ikke flytt TV-stativet ved å holde det i brakett delen.
- Vær forsiktig slik at du ikke skader hender eller fingre når du installerer TV-en.

## FORHOLDSREGLER

### Om strømkilder

- Hvis TV-en ikke skal brukes på lang tid, må TV-stativet kobles fra stikkontakten. Hold i pluggen når du trekker støpselet ut av stikkontakten. Trekk aldri i ledningen.
- Nettledningen må bare skiftes av et kvalifisert serviceverksted.

### Om bruk

Slå av TV-stativet og trekk ut støpselet før du kobler til andre komponenter.

### Opphavsrett

Dette TV-stativet bruker Dolby\* Digital og Pro Logic Surround som DTS\*\* Digital Surround System.

\* Produsert på lisens fra Dolby Laboratories. Dolby, Pro Logic, og det doble D-symbolet er varemerker for Dolby Laboratories.

\*\* Produsert på lisens etter amerikansk patentnummer: 5 451 942; 5 956 674; 5 974 380; 5 978 762; 6 487 535 og andre amerikanske og verdensomspennende patenter og patentsøknader. DTS og symbolet er registrerte varemerker, og DTS Digital Surround og DTS-logoene er varemerker for DTS, Inc. Produktet omfatter programvare. © DTS, Inc. Alle rettigheter forbeholdt.

Dette TV-stativet bruker High-Definition Multimedia Interface (HDMI™)-teknologi.

HDMI, HDMI-logoen og High-Definition Multimedia Interface er varemerker eller registrerte varemerker for HDMI Licensing LLC i USA og andre land.

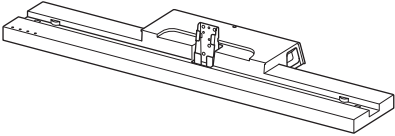
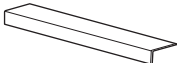
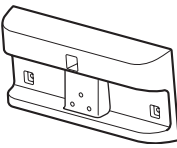
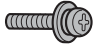
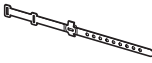
"BRAVIA" er et varemerke for Sony Corporation.



**Merknad: Når TV-stativet tas ut av esken**

Hold TV-stativet i et fast grep, og håndter det forsiktig.

## Trinn 1: Kontrollere delene

Navn	Antall
Stativ 	1
Bakdeksel* 	2
Festebrakett 	1
Festeskruer for TV-stativbrakett (PSW5 × 16) svart (× 3) Brakettskruer (PSW5 × 16) svart (× 3) 	6
Strømadapter	
Nettledning	
Høyhastighets HDMI-kabel	1
Kabelholder 	1
Instruksjonshåndbok	1
Garantikort	

\* Kun for modellen SU-B550S.

**ADVARSEL**

Hvis du lar nettledningen komme i klemme under eller mellom deler av utstyret, kan det føre til kortslutning eller elektrisk støt. Hvis du snubler over nettledningen eller tilkoblingskabelen, kan TV-stativet velte og forårsake personskade.

**Fastslå hvor apparatet skal installeres, og legg TV-stativet ned før du installerer TV-en.**

TV-en er tung, og det anbefales at du først fastslår hvor apparatet skal installeres, og deretter monterer TV-stativet på dette stedet.

Se bruksanvisningen som fulgte med TV-en for informasjon om hvordan du fjerner bordstativet fra TV-en.

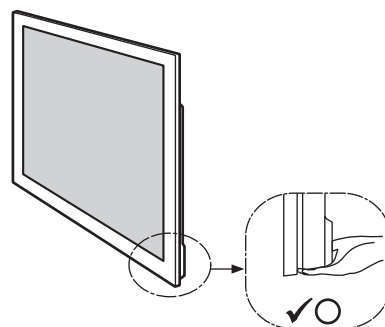
## Trinn 2: Installere TV-en

**Før montering**

- Pass på at du har en Phillips-skrutrekker som passer til skruene før monteringen starter.
- Hvis du bruker en elektrisk skrutrekker, stiller du momentinnstillingen på ca. 1,5 N·m { 15 kgf·cm }.

### 1 Hold TV-en på de angitte stedene når du løfter den.

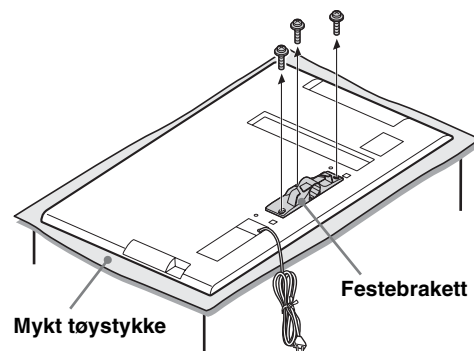
Pass på at du holder TV-en som vist:



- Hold TV-en som vist over når den flyttes for hånd. Unngå å belaste LCD-panelet og rammen rundt skjermen.

### 2 Fjern skruene fra festebraketten bak på TV-en.

Skyv festebraketten nedover for å løsne den.



- Ta vare på skruene som fjernes.
- Når bordstativet skal fjernes fra skjermen, legger du skjermen med forsiden ned på et stabilt underlag som er større enn skjermen.
- Legg et mykt tøystykke på underlaget for å unngå å skade overflaten på LCD-skjermen.

(Fortsetter)

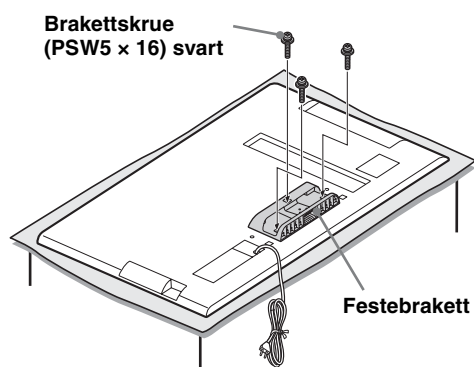
5 (NO)

## FORSIKTIG

- Hvis skjermoverflaten utsettes for press eller støt, kan LCD-skjermen brenke eller bli skadet.
  - Legg skjermen med forsiden ned på et stabilt og jevnt underlag mens bordstativet stikker ut over kanten på underlaget.
- Hvis skjermflaten og foten på bordstativet ligger på samme underlag, gir dette ustabile arbeidsforhold som kan føre til skade på skjermen.

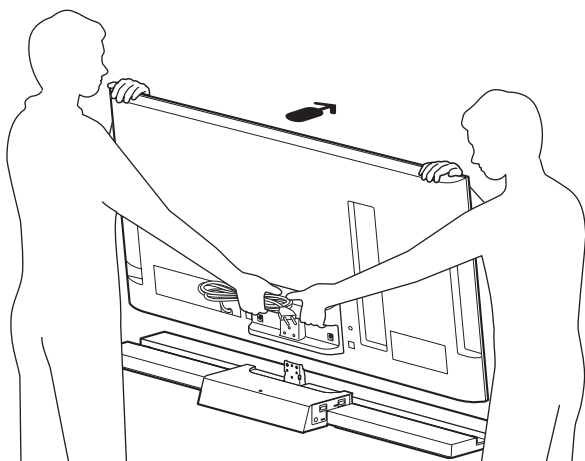
### 3 Fest den medfølgende festebraketten bak på TV-en med de tre skruene (PSW5 x 16) svart (medfølger).

Skyv den medfølgende festebraketten oppover for å feste den.



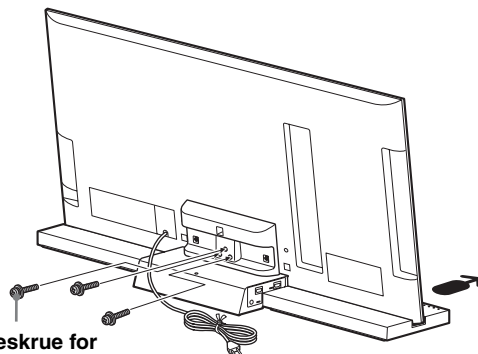
### 4 Montere TV-en på TV-stativet.

TV-en installeres ved å plassere den i sporet på TV-stativet.



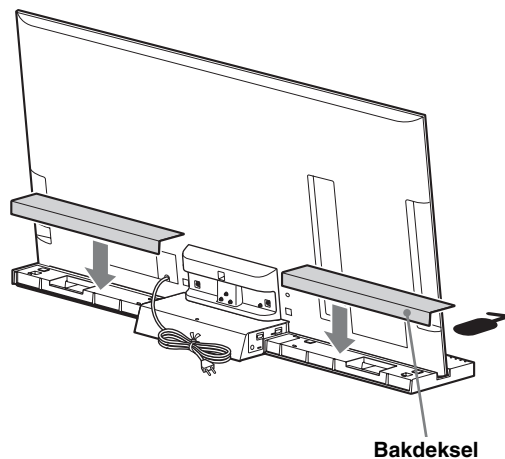
← Pilen peker mot fronten på TV-stativet.

### 5 Fest TV-en og TV-stativet med de tre festeskruene for TV-stativbraketten (PSW5 x 16) svart (medfølger).

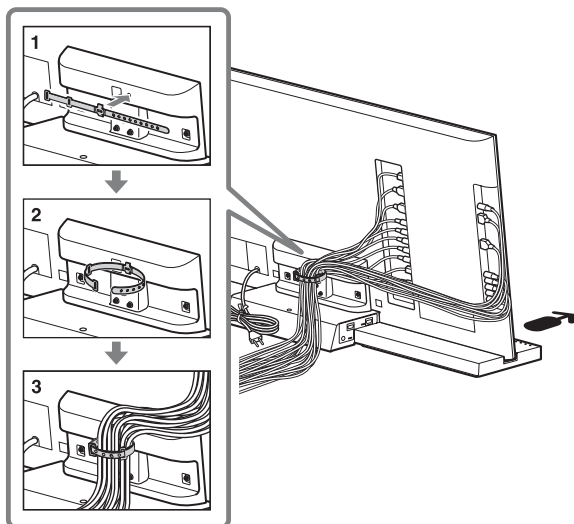


Festeskrue for TV-stativbrakett (PSW5 x 16) svart

### 6 Fest bakdekselet til TV-stativet. (Kun for modellen SU-B550S)



## 7 Tvinne sammen kablene.

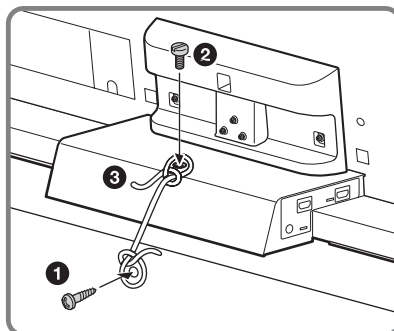
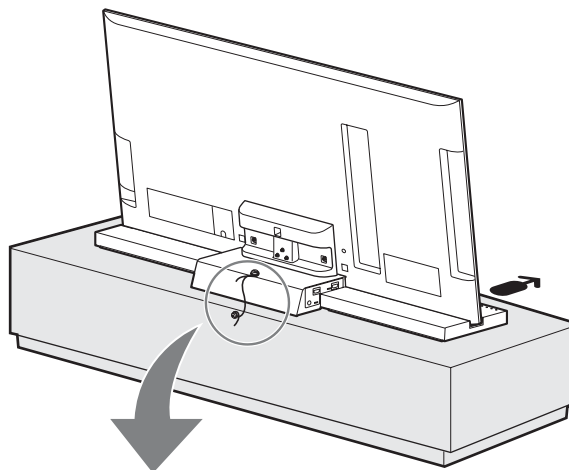


- Ikke tvinne strømledningen sammen med de andre kablene.

## Trinn 3: Sikkerhetstiltak for å hindre velt

### ADVARSEL

TV-stativet må sikres slik at det ikke kan velte og forårsake mulig personskade og skade på gjenstander.

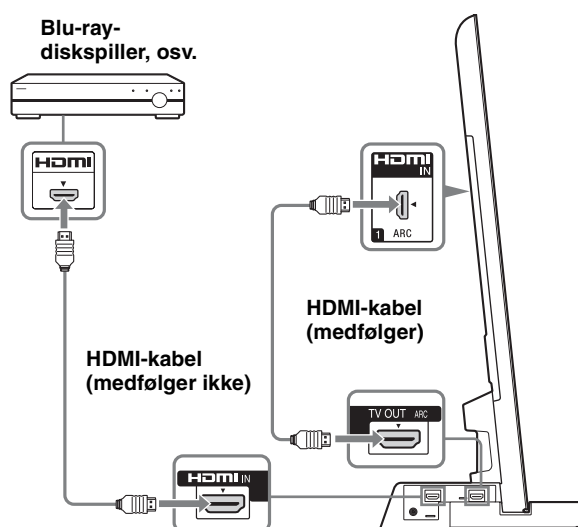


- 1 Skru en treskrue (4 mm i diameter, medfølger ikke) i bordet.
- 2 Skru en maskinskrue (M4 × 16, medfølger ikke) inn i skruetullet på TV-stativet.
- 3 Fest treskruen og maskinskruen med en sterk snor (medfølger ikke).

## Trinn 4: Koble til TV-en og spilleren

### Koble TV-en med HDMI-kontakt til TV-stativet med en HDMI-kabel.

Ved å koble Sony "BRAVIA" Sync-kompatible komponenter med HDMI-kabler, kan betjeningen forenkles når du stiller inn Kontroll for HDMI-funksjonen for TV-en.



- TV-stativet er kompatibel med Audio Return Channel (ARC)-funksjonen. Hvis du kobler TV-stativet til HDMI-kontakten på en ARC-kompatibel TV, med en HDMI-kabel trenger du ikke å koble TV-en til TV-stativet med den digitale optiske ledningen.
- Du kan se bokstavene "ARC" ved siden av TV-ens HDMI-kontakt hvis den er kompatibel med ARC-funksjonen. Selv om du kobler en HDMI-kabel til kontakten, kan du ikke bruke ARC-funksjonen hvis HDMI-kontakten ikke er kompatibel med ARC-funksjonen.
- ARC-funksjonen er kun tilgjengelig når Kontroll for HDMI er slått på.



- Selv om TV-stativet er slått av (aktiv ventemodus), sendes HDMI-signalet fra den tilkoblede komponenten til TV-en via HDMI-kontakten. Du kan nyte bilde og lyd fra komponenten på TV-en.

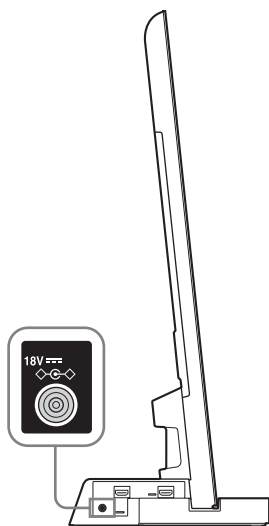
#### Merknader om HDMI-kontakter

- Bruk en høyhastighets HDMI-kabel. Hvis du bruker en standard HDMI-kabel, kan det være at 1080p, Deep Colour eller 3D-bilder ikke vises som de skal.
- Vi anbefaler at du bruker en HDMI-godkjent kabel.
- Kontroller oppsettet på den tilkoblede komponenten hvis bildet er dårlig eller det ikke kommer lyd fra en komponent som er koblet til via HDMI-kabelen.

- Lydsignaler (samplingsfrekvens, bitlengde osv.) som sendes fra en HDMI-kontakt kan bli stoppet av den tilkoblede komponenten.
- Lyden kan forstyrres hvis samplingsfrekvensen eller antall kanaler med lydsignaler fra avspillingskomponenten skiftes.
- Hvis den tilkoblede komponenten ikke er kompatibel med teknologi for beskyttelse av opphavsrett (HDCP), kan bildet og/eller lyden fra HDMI TV OUT-kontakten bli forvrengt eller stoppet.  
Hvis dette skjer, kontrollerer du spesifikasjonene for den tilkoblede komponenten.
- Vi anbefaler ikke å bruke HDMI-DVI-konverteringstabell.
- Dette systemet støtter Deep Colour, "x.v.Colour", og 3D-signaler.

## Trinn 5: Koble til nettleddningen

Før nettleddningen til TV-stativet kobles til en stikkontakt, kobles alle de andre komponentene og TV-en til TV-stativet.



- Koble TV-stativet til en lett tilgjengelig stikkontakt. Hvis du legger merke til noe unormalt ved TV-stativet, kobler du støpselet fra stikkontakten umiddelbart.

## Trinn 6: Utføre TV-innstillingene

### 1 Still inn til "På" i "Kontroll for HDMI"-funksjonen.

Trykk på HOME-knappen på fjernkontrollen til TV-en og velg menyen som følger;

Innstillinger > AV-innganger > HDMI-oppsett > Kontroll for HDMI > På

### 2 Still inn til "Lydanlegg" i "Høyttalere"-menyen.

Trykk på HOME-knappen på fjernkontrollen til TV-en og velg menyen som følger;

Innstillinger > Lyd > Høyttalere > Lydanlegg



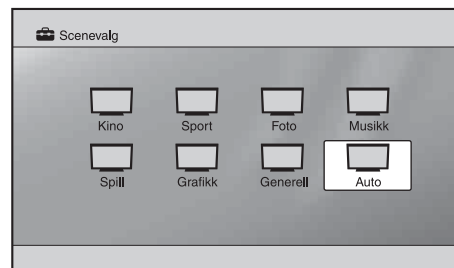
- Når du har fullført innstillingene for prosedyren 1 og 2, lyser I (strøm)-indikatoren grønt.



### • Scenevalg-modus

Dette TV-stativet synkroniseres automatisk med TV-ens lydinnstillinger, og fungerer med Scenevalg-funksjonen, slik at du kan velge foretrukket lyd for en valgt scene.

Hvis du vil endre lyden, endrer du TV-ens lydinnstillinger.



Før du bruker denne modusen, må du forsikre deg om at følgende innstillinger er utført på TV-apparatet.

# Feilsøking

## Lyd

Ingen lyd:

- Kontroller tilkoblingen av HDMI-kabelen.
- Kontroller innstillingene for "Kontroll for HDMI" og "Lydanlegg" i trinn 6 (side 9).

Bruke med hodetelefoner:

- Bytt "Lydanlegg" til "TV-høytaler" i "Høytalere"-innstillingen.

Bruke med dobbel lyd på den digitale TV-sendingen:

- Avhengig av sendingen, kan ikke lyden skiftes. Skift "Optisk ut"-innstillingen på TV-en fra "Auto" til "PCM".

Bruke med et eksternt utstyr for dobbel lyd:

- Hvis lyden ikke kan skiftes, skift lydutgangsinstillingen på det eksterne utstyret for å aktivere PCM.

## Indikator

Selv om TV-strømmen er slått på, lyser ikke

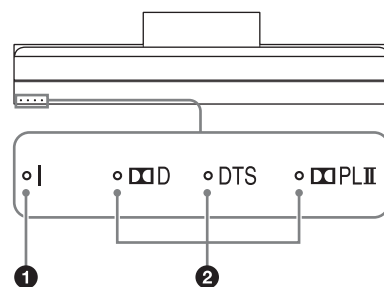
**I** (strøm)-indikatoren på TV-stativet:

- Kontroller tilkoblingen av nettleddningen osv.
- Kontakt kundesenteret.

**I** (strøm)-indikator blinker rødt:

- Det kan ha oppstått en feil på produktet. Kontroller hvor mange ganger indikatoren blinker, og kontakt Sonys servicesenter.

# Indikator



## 1 I (strøm)-indikator

Lyser som følger:

Grønt: TV-stativet er slått på. ("Lydanlegg" er stilt inn for "Høytalere".)

Av: TV-stativet er i standby eller slått av.

## 2 Lydformatindikatorer

Lyser opp i henhold til lydformatet som sendes til TV-stativet.

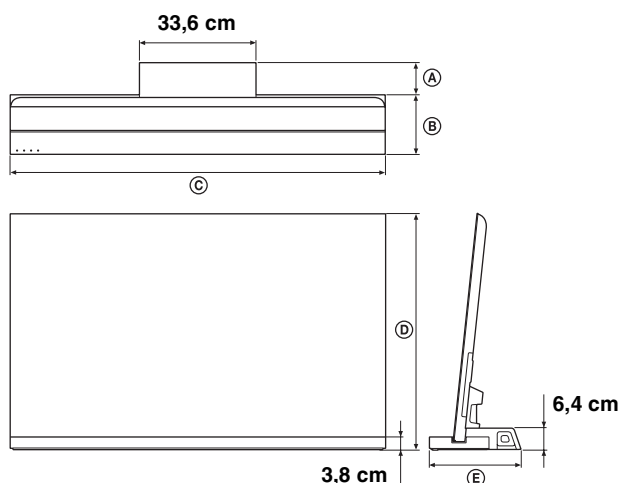
**D**: Dolby Digital

DTS

**PLII**: Dolby Pro Logic II



# Spesifikasjoner



		SU-B550S	SU-B460S	SU-B400S
Mål: cm	Ⓐ	8,1	9,3	10
	Ⓑ	20	17,2	16,1
	Ⓒ	127,6	108,3	94,4
	Ⓓ	79,3	68,4	60,6
	Ⓔ	28,1	26,5	26,1
Stativets vekt:		5,8 kg	5,4 kg	5,1 kg

## Forsterkerdel

Utgangseffekt Front: 10 W + 10 W, (per kanal)  
12 ohms, 1 kHz, THD mindre enn 1 %  
Subwoofer: 20 W, 6 ohms, 100 Hz,  
THD mindre enn 1 %

## HDMI-del

Kontakt HDMI™-kontakt  
Videoinnganger/  
-utganger 640 × 480p@60 Hz  
720 × 480p@59,94/60 Hz  
1280 × 720p@59,94/60 Hz  
1920 × 1080i@59,94/60 Hz  
1920 × 1080p@59,94/60 Hz  
720 × 576p@50 Hz  
1280 × 720p@50 Hz  
1920 × 1080i@50 Hz  
1920 × 1080p@50 Hz  
1920 × 1080p@24 Hz  
Deep Colour: 30bit/36bit

Videoinnganger/  
-utganger (3D)

1280 × 720p@59,94/60 Hz  
Frame packing  
1920 × 1080i@59,94/60 Hz  
Frame packing  
1920 × 1080i@59,94/60 Hz  
side-ved-side (halv)  
1920 × 1080p@59,94/60 Hz  
side-ved-side (halv)  
1280 × 720p@50 Hz  
Frame packing  
1920 × 1080i@50 Hz  
Frame packing  
1920 × 1080i@50 Hz  
side-ved-side (halv)  
1920 × 1080p@50 Hz  
side-ved-side (halv)  
1920 × 1080p@24 Hz  
Frame packing  
Deep Colour: 30bit/36bit  
Lineær PCM 7.1k/  
Dolby Digital/DTS

Lydinnganger

## Høytalere

### Fronthøytaler

Høytalersystem 2-veis 3-driver, bassreflekstype  
Høytalerenhet Basshøytaler: 30 × 82 mm  
cone-type ×2  
Diskant: 14 mm dome-type

### Subwoofer-enhet

Høytalersystem Subwoofer, bassreflekstype  
Høytalerenhet 70 mm cone-type

## Generelt

Strømkrav 100 – 240 V, 50/60 Hz  
Strømforbruk På: 12 W  
Hvilemodus: 0,7 W

- Strømforbruk i hvilemodus: 0,7 W
- Halogenerte flammehemmere er ikke brukt i de spesifikke trykte kretskortene.
- Mer enn 85 % strømeffekt fra forsterkerblokken oppnås med den fulldigitale forsterkeren S-Master.

Konstruksjon og spesifikasjoner kan endres uten varsel.

## Ασφάλεια

Σας ευχαριστούμε που αγοράσατε αυτό το προϊόν. Τα προϊόντα της Sony σχεδιάζονται με γνώμονα την ασφάλεια. Σε περίπτωση λανθασμένου χειρισμού ενδέχεται να προκληθεί σοβαρός τραυματισμός λόγω πυρκαγιάς, ηλεκτροπληξίας, ανατροπής ή πτώσης του προϊόντος. Για να αποφύγετε τέτοιου είδους ατυχήματα, βεβαιωθείτε ότι λαμβάνονται οι προφυλάξεις ασφαλείας.

Στο παρόν εγχειρίδιο οδηγιών παρουσιάζεται ο σωστός τρόπος χειρισμού του προϊόντος, καθώς και σημαντικές προφυλάξεις, οι οποίες είναι απαραίτητες για την αποφυγή ατυχημάτων. Διαβάστε προσεκτικά το εγχειρίδιο και χρησιμοποιήστε σωστά το προϊόν. Φυλάξτε το παρόν εγχειρίδιο για μελλοντική χρήση.

Ο κατασκευαστής αυτού του προϊόντος είναι η Sony corporation, 1-7-1 Konan Minato-ku Τόκυο, 108-0075 Ιαπωνία. Ο εξουσιοδοτημένος αντιπρόσωπος για το EMC και την ασφάλεια των προϊόντων είναι η Sony Deutschland GmbH, Hedelfinger Strasse 61, 70327 Στουτγκάρδη, Γερμανία. Για οποιαδήποτε θέμα υπηρεσίας ή εγγύησης, παρακαλώ ανατρέξτε στις διευθύνσεις που δίνονται στα χωριστά έγγραφα υπηρεσιών ή εγγύησης.

## ΠΡΟΣΟΧΗ

### Συμβατά προϊόντα

Η παρούσα βάση έχει σχεδιαστεί για να χρησιμοποιείται με τα παρακάτω συμβατά προϊόντα της Sony. Μην εγκαθιστάτε οποιονδήποτε άλλο εξοπλισμό, εκτός από τα προϊόντα που καθορίζονται.

Τα παρακάτω προϊόντα υπόκεινται σε αλλαγή χωρίς προειδοποίηση, ενδέχεται να μην υπάρχει απόθεμα των προϊόντων αυτών ή η παραγωγή τους ενδέχεται να έχει διακοπή.

Επίσης, ορισμένα μοντέλα πωλούνται σε ορισμένες περιοχές.

	Έγχρωμη τηλεόραση LCD
SU-B550S	KDL-55NX81□*
SU-B460S	KDL-46NX71□*
SU-B400S	KDL-40NX71□*

(Αύγουστος 2010)

\* Στα πραγματικά ονόματα μοντέλου η ένδειξη "□" αντιστοιχεί στους συγκεκριμένους αριθμούς ή/και χαρακτήρες κάθε μοντέλου.

### Θέση της αναγνωριστικής ετικέτας

Η ετικέτα για τον Αρ. μοντέλου βρίσκεται στο πίσω μέρος της Βάσης της τηλεόρασης.

## Απόρριψη της Βάσης της τηλεόρασης



Απόρριψη παλαιών ηλεκτρικών & ηλεκτρονικών συσκευών (Ισχύει στην Ευρωπαϊκή Ένωση και άλλες Ευρωπαϊκές χώρες με ξεχωριστά συστήματα αποκομιδής)

Το σύμβολο αυτό επάνω στο προϊόν ή στη συσκευασία του υποδεικνύει ότι το προϊόν αυτό δεν θα πρέπει να απορρίπτεται μαζί με τα συνηθισμένα οικιακά απορρίμματα. Αντίθετα θα πρέπει να παραδίδεται στο κατάλληλο σημείο αποκομιδής για την ανακύκλωση ηλεκτρικών και ηλεκτρονικών συσκευών. Εξασφαλίζοντας ότι το προϊόν αυτό απορρίπτεται σωστά, βοηθάτε στο να αποτραπούν όποιες αρνητικές επιπτώσεις στην ανθρώπινη υγεία και στο περιβάλλον που θα προέκυπταν από την μη κατάλληλη διαχείριση των αποβλήτων αυτού του προϊόντος. Η ανακύκλωση των υλικών βοηθά στην εξοικονόμηση των φυσικών πόρων. Για περισσότερες πληροφορίες σχετικά με την ανακύκλωση αυτού του προϊόντος, επικοινωνήστε με τις δημοτικές αρχές της περιοχής σας, με την υπηρεσία διάθεσης των οικιακών απορριμμάτων ή το κατάστημα από το οποίο αγοράσατε το προϊόν.

## ΠΡΟΕΙΔΟΠΟΙΗΣΗ

Εάν δεν τηρηθούν οι παρακάτω προφυλάξεις, μπορεί να προκληθεί σοβαρός τραυματισμός ή θάνατος λόγω πυρκαγιάς ή ηλεκτροπληξίας ή ανατροπής του προϊόντος.

## Λάβετε τα απαραίτητα μέτρα για να αποφύγετε ανατροπή της Βάσης της τηλεόρασης.

Σε διαφορετική περίπτωση, η τηλεόραση ενδέχεται να ανατραπεί και να προκληθεί τραυματισμός. Τοποθετήστε σταθερά τη Βάση της τηλεόρασης στο ράφι κλπ., για να αποφύγετε τυχόν ανατροπή.

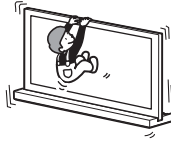
## Τοποθετήστε τη Βάση της τηλεόρασης σε σταθερή επιφάνεια.

Εάν τοποθετήσετε τη Βάση της τηλεόρασης σε ασταθή επιφάνεια, ενδέχεται να μην ισορροπεί σωστά και να αναποδογυρίσει ή να πέσει. Αυτό το γεγονός ενδέχεται να προκαλέσει τραυματισμό ή υλικές ζημιές.



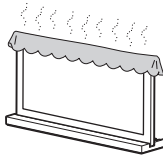
## Μην στηρίζετε και μην κρατιέστε από την τηλεόραση, όταν αυτή έχει τοποθετηθεί στη Βάση της τηλεόρασης.

Η Βάση της τηλεόρασης ενδέχεται να αναποδογυρίσει ή η τηλεόραση ενδέχεται να πέσει και να προκληθεί σοβαρός τραυματισμός ή θάνατος.



## Μην καλύπτετε τις οπές εξαερισμού της τηλεόρασης.

Οι οπές εξαερισμού της τηλεόρασης είναι απαραίτητες για να διασφαλιστεί η αξιόπιστη λειτουργία της τηλεόρασης και για να αποφευχθεί η υπερθέρμανσή της.



- Μην φράσσετε ή καλύπτετε τις οπές εξαερισμού με υφάσματα ή άλλα υλικά.
- Ποτέ μην αφήνετε υγρά ή συμπαγή αντικείμενα να εισχωρήσουν στις οπές εξαερισμού.

## Μην τοποθετείτε αντικείμενα που περιέχουν υγρά, όπως βάζα ή γλάστρες με φυτά, πάνω στην τηλεόραση.

Μην χρησιμοποιείτε μια τηλεόραση που λειτουργεί με ρεύμα κοντά σε σημεία με νερό όπως, για παράδειγμα, κοντά σε μπανιέρες, νιπτήρες, νεροχύτες, σκάφες, σε υγρά υπόγεια ή κοντά σε πισίνες κλπ.

Μην τοποθετείτε την τηλεόραση σε μέρη που υπόκεινται σε ακραίες θερμοκρασίες όπως, για παράδειγμα, σε σημεία που εκτίθενται σε άμεσο ηλιακό φως, κοντά σε καλοριφέρ ή συσκευές θέρμανσης.

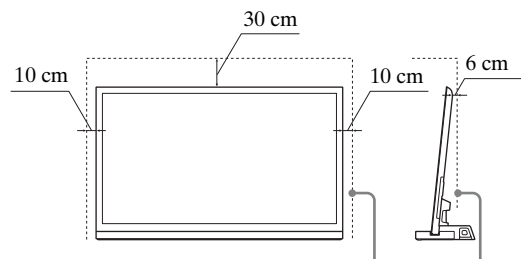
Σε τέτοιες συνθήκες η τηλεόραση μπορεί να υπερθερμανθεί, κάτι που μπορεί να προκαλέσει παραμόρφωση του περιβλήματος ή/και δυσλειτουργία της τηλεόρασης.

## Μην τοποθετείτε την τηλεόραση σε σημείο που εκτίθεται απευθείας σε κλιματισμό.

Μπορεί να συσσωρευτεί υγρασία στο εσωτερικό της τηλεόρασης και να προκληθεί δυσλειτουργία.

## Αφήνετε επαρκή ελεύθερο χώρο γύρω από την τηλεόραση, ώστε να διασφαλίζεται η σωστή κυκλοφορία του αέρα.

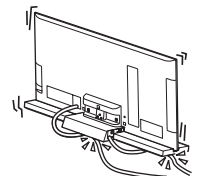
Αφήστε επαρκή ελεύθερο χώρο γύρω από την τηλεόραση, όπως φαίνεται παρακάτω.



Αφήστε τουλάχιστον τόσο χώρο γύρω από την τηλεόραση.

## Καλώδιο τροφοδοσίας

- Χρησιμοποιήστε μόνο τα καλώδια τροφοδοσίας εναλλασσόμενου ρεύματος που παρέχονται από τη Sony και όχι καλώδια άλλων κατασκευαστών.
- Αποφύγετε την άσκηση πιέσεων στο καλώδιο τροφοδοσίας ή στο καλώδιο σύνδεσης κατά την τοποθέτηση της τηλεόρασης στη Βάση της τηλεόρασης. Εάν το καλώδιο τροφοδοσίας ή το καλώδιο σύνδεσης υποστούν βλάβη, μπορεί να προκληθεί πυρκαγιά ή ηλεκτροπληξία.
- Μην πατάτε το καλώδιο τροφοδοσίας ή το καλώδιο σύνδεσης κατά τη μεταφορά της Βάσης της τηλεόρασης. Το καλώδιο τροφοδοσίας ή το καλώδιο σύνδεσης ενδέχεται να υποστούν βλάβη και να προκληθεί πυρκαγιά ή ηλεκτροπληξία.
- Εάν σκοντάψετε πάνω στο καλώδιο τροφοδοσίας ή στο καλώδιο σύνδεσης, η Βάση της τηλεόρασης ενδέχεται να αναποδογυρίσει και να προκληθεί τραυματισμός.
- Αν αποσυνδέσετε το καλώδιο τροφοδοσίας από την πρίζα του τοίχου, θα διακοπεί πλήρως η τροφοδοσία της Βάσης της τηλεόρασης.



## ΣΗΜΕΙΩΣΗ ΣΧΕΤΙΚΑ ΜΕ ΤΟ ΜΕΤΑΣΧΗΜΑΤΙΣΤΗ ΚΕΝΤΡΙΚΗΣ ΠΑΡΟΧΗΣ

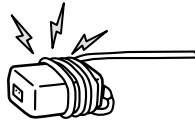
### Προειδοποίηση

Για να μειώσετε τον κίνδυνο πυρκαγιάς ή ηλεκτροπληξίας, μην εκθέτετε τη συσκευή σε βροχή ή υγρασία.

Για να αποτρέψετε τον κίνδυνο πυρκαγιάς ή ηλεκτροπληξίας, μην τοποθετείτε πάνω στη συσκευή αντικείμενα που περιέχουν υγρά, όπως για παράδειγμα βάζα.

Μην εγκαθιστάτε αυτή τη συσκευή σε περιορισμένη επιφάνεια, όπως για παράδειγμα σε ράφια ή παρόμοιες μονάδες.

- Εξασφαλίστε ότι η πρίζα έχει εγκατασταθεί κοντά στη συσκευή και ότι είναι εύκολα προσβάσιμη.
- Βεβαιωθείτε ότι χρησιμοποιείτε το μετασχηματιστή της κεντρικής παροχής και το καλώδιο τροφοδοσίας ρεύματος.
- Μην χρησιμοποιείτε οποιονδήποτε άλλο μετασχηματιστή κεντρικής παροχής. Ενδέχεται να προκληθεί δυσλειτουργία.
- Συνδέστε το μετασχηματιστή κεντρικής παροχής σε μια πρίζα στην οποία έχετε εύκολη πρόσβαση.
- Μην τυλίγετε το καλώδιο τροφοδοσίας ρεύματος γύρω από το μετασχηματιστή κεντρικής παροχής. Το κεντρικό καλώδιο μπορεί να κοπεί ή/και να προκληθεί δυσλειτουργία στην τηλεόραση.
- Μην αγγίζετε το μετασχηματιστή κεντρικής παροχής με βρεγμένα χέρια.
- Εάν παρατηρήσετε μη ομαλή λειτουργία του μετασχηματιστή της κεντρικής παροχής, αποσυνδέστε τον από την πρίζα αμέσως.
- Η συσκευή δεν αποσυνδέεται από την κεντρική παροχή όσο είναι συνδεδεμένη στην πρίζα, ακόμα και αν η συσκευή είναι απενεργοποιημένη.



## ΠΡΟΣΟΧΗ

Εάν δεν ληφθούν οι ακόλουθες προφυλάξεις, ενδέχεται να προκληθούν τραυματισμοί ή υλικές ζημιές.

### Μην εγκαθιστάτε οποιονδήποτε άλλο εξοπλισμό, εκτός από το προϊόν που καθορίζεται.

Αυτή η Βάση της τηλεόρασης έχει σχεδιαστεί για να χρησιμοποιείται μόνο με τα συμβατά προϊόντα. Εάν εγκαταστήσετε εξοπλισμό διαφορετικό από αυτόν που καθορίζεται, αυτός μπορεί να πέσει ή να σπάσει και να προκαλέσει τραυματισμό. Οι εικόνες που χρησιμοποιούνται σε αυτό το εγχειρίδιο είναι από το μοντέλο KDL-46NX71□, εκτός αν αναφέρεται διαφορετικά.

### Στερεώστε καλά την τηλεόραση.

Ασφαλίστε την τηλεόραση στη Βάση της τηλεόρασης χρησιμοποιώντας τις βίδες που παρέχονται. Εάν η τηλεόραση δεν τοποθετηθεί σωστά, μπορεί να πέσει ή η Βάση της τηλεόρασης μπορεί να ανατραπεί και να προκληθεί τραυματισμός.

### Σημειώσεις σχετικά με την τοποθέτηση

Μην τοποθετείτε τη Βάση της τηλεόρασης υπό γωνία ή με κλίση. Για να το αποφύγετε, τηρήστε τις ακόλουθες προφυλάξεις.

Εάν τοποθετήσετε τη Βάση της τηλεόρασης σε μια μαλακή επιφάνεια, όπως σε ένα χαλί, τοποθετήστε πριν από την εγκατάσταση ένα πλαίσιο πάνω από την θέση, στην οποία προορίζεται να γίνει η τοποθέτηση.

- Μην τοποθετείτε τη Βάση της τηλεόρασης σε σημείο που εκτίθεται απευθείας στο ηλιακό φως ή κοντά σε σώμα θέρμανσης.
- Μην τοποθετείτε τη Βάση της τηλεόρασης σε ζεστό ή υγρό χώρο ή σε εξωτερικό χώρο.

### Σημείωση σχετικά με τη χρήση

#### Καθαρισμός

Για να διατηρήσετε τη Βάση της τηλεόρασης καθαρή, σκουπίζετε την περιστασιακά με ένα στεγνό μαλακό ύφασμα. Επίμονοι λεκέδες μπορούν να αφαιρεθούν, σκουπίζοντας με ένα μαλακό πανί ελαφρά εμποτισμένο με ήπιο σαπούνι. Κατόπιν, στεγνώστε την περιοχή με ένα στεγνό μαλακό ύφασμα. Μην χρησιμοποιείτε χημικές ουσίες, όπως διαλυτικά ή βενζίνη, καθώς ενδέχεται να καταστρέψουν το φινιρίσμα της Βάσης της τηλεόρασης.

### Βεβαιωθείτε ότι η εγκατάσταση πραγματοποιείται από δύο ή περισσότερα άτομα.

Βεβαιωθείτε ότι η τοποθέτηση της τηλεόρασης στη Βάση της τηλεόρασης πραγματοποιείται από δύο ή περισσότερα άτομα. Η εγκατάσταση από ένα μόνο άτομο μπορεί να έχει ως αποτέλεσμα ατύχημα ή τραυματισμό.

### Μην τροποποιείτε τη βάση της τηλεόρασης.

Μπορεί να πέσει και να προκληθεί τραυματισμός.

## Φροντίστε να τοποθετήσετε σταθερά την τηλεόραση, ακολουθώντας τις οδηγίες.

Σφίξτε καλά τις βίδες. Εάν η τηλεόραση δεν τοποθετηθεί σταθερά, μπορεί να πέσει και να προκαλέσει τραυματισμό.

## Προσέξτε να μην τραυματίσετε τα χέρια ή τα δάχτυλά σας κατά τη συναρμολόγηση.

- Μην μετακινείτε τη Βάση της τηλεόρασης κρατώντας την από το τμήμα του κορμού.
- Προσέξτε να μην τραυματίσετε τα δάχτυλά σας ή τα χέρια σας κατά την τοποθέτηση της τηλεόρασης.

## ΠΡΟΦΥΛΑΞΕΙΣ

### Σχετικά με τις πηγές τροφοδοσίας

- Εάν δεν πρόκειται να χρησιμοποιήσετε την Βάση της τηλεόρασης για μεγάλο χρονικό διάστημα, αποσυνδέστε τη Βάση της τηλεόρασης από την πρίζα του τοίχου. Πια να αποσυνδέσετε το καλώδιο τροφοδοσίας, πιάστε το ίδιο το βύσμα. Μην τραβάτε ποτέ το καλώδιο.
- Το καλώδιο τροφοδοσίας πρέπει να αντικαθίσταται μόνον από εξουσιοδοτημένο συνεργείο σέρβις.

### Σχετικά με τη λειτουργία

Προτού συνδέσετε άλλον εξοπλισμό, απενεργοποιήστε και αποσυνδέστε τη Βάση της τηλεόρασης.

## Πνευματικά δικαιώματα

Αυτή η Βάση της τηλεόρασης ενσωματώνει την τεχνολογία Dolby\* Digital και Pro Logic Surround, καθώς και το σύστημα DTS\*\* Digital Surround.

\* Κατασκευάζεται κατόπιν αδείας από την Dolby Laboratories.

Οι επωνυμίες Dolby, Pro Logic και σύμβολο διπλού D αποτελούν εμπορικά σήματα της Dolby Laboratories.

\*\* Κατασκευάζεται κατόπιν αδείας υπό το Δίπλωμα Ευρεσιτεχνίας Η.Π.Α. #: 5.451.942, 5.956.674, 5.974.380, 5.978.762, 6.487.535 & άλλα διπλώματα ευρεσιτεχνίας που έχουν εκδοθεί ή/και εγκριθούν στις Η.Π.Α. και παγκοσμίως. Η επωνυμία DTS και το σύμβολο είναι σήματα κατατεθέντα και η επωνυμία DTS Digital Surround και τα λογότυπα DTS είναι εμπορικά σήματα της DTS, Inc. Το προϊόν περιλαμβάνει λογισμικό. © DTS, Inc. Με επιφύλαξη παντός δικαιώματος.

Αυτή η Βάση της τηλεόρασης ενσωματώνει τεχνολογία High-Definition Multimedia Interface (HDMI™).

Η επωνυμία HDMI, το λογότυπο HDMI και η επωνυμία High-Definition Multimedia Interface είναι εμπορικά σήματα ή σήματα κατατεθέντα της HDMI Licensing LLC στις Η.Π.Α. και σε άλλες χώρες.

Η επωνυμία "BRAVIA" είναι εμπορικό σήμα της Sony Corporation.



### Αγαπητέ πελάτη

Σας ευχαριστούμε που αγοράσατε αυτό το προϊόν της Sony. Ελπίζουμε να μείνετε ικανοποιημένοι από τη χρήση του. Στην απίθανη περίπτωση που το προϊόν σας χρειαστεί σέρβις (επισκευή) κατά τη διάρκεια της εγγύησης, παρακαλείστε να επικοινωνήσετε με το κατάστημα αγοράς ή με ένα μέλος του δικτύου μας εξουσιοδοτημένων σέρβις (ASN) της Ευρωπαϊκής Οικονομικής Ζώνης (ΕΟΖ) ή και άλλων χωρών που αναφέρονται σ' αυτή την εγγύηση ή στα συνοδευόμενα αυτήν φυλλάδια (Περιοχή Κάλυψης της Εγγύησης). Μπορείτε να βρείτε λεπτομέρειες για τα μέλη του δικτύου μας ASN, για παράδειγμα σε τηλεφωνικούς καταλόγους, στους καταλόγους προϊόντων μας και στις ιστοσελίδες μας. Για να αποφύγετε κάθε περιττή ταλαιπωρία σας, συνιστούμε να διαβάσετε προσεκτικά το εγχειρίδιο χρήσης προτού ψάξετε για επισκευή κατά τη διάρκεια της εγγύησης.

### Η Εγγύησή Σας

Η παρούσα εγγύηση ισχύει για το προϊόν της Sony που αγοράσατε, εφ' όσον κάτι τέτοιο αναφέρεται στα φυλλάδια που συνοδεύουν το προϊόν σας, υπό την προϋπόθεση ότι αγοράστηκε εντός της Περιοχής Κάλυψης της Εγγύησης.

Με την παρούσα, η Sony εγγυάται ότι το προϊόν είναι απαλλαγμένο από κάθε ελάττωμα σχετιζόμενο με τα υλικά ή την κατασκευή, για μια περίοδο ΔΥΟ ΕΤΩΝ από την ημερομηνία της αρχικής αγοράς. Η αρμόδια για να προσφέρει και εκπληρώσει την παρούσα εγγύηση εταιρεία Sony, είναι αυτή που αναφέρεται σ' αυτήν την Εγγύηση ή στο συνοδευόμενα αυτήν φυλλάδιο στη χώρα όπου επιδιώκεται η επισκευή κατά τη διάρκεια της εγγύησης.

Εάν, εντός της περιόδου εγγύησης, αποδειχθεί ελαττωματικό το προϊόν (κατά την ημερομηνία της αρχικής αγοράς) λόγω ακατάλληλων υλικών ή κατασκευής, η Sony ή ένα μέλος του δικτύου Εξουσιοδοτημένων Σέρβις ASN της Περιοχής Κάλυψης της Εγγύησης θα επισκευάσει ή θα αντικαταστήσει (κατ' επιλογή της Sony) χωρίς επιβάρυνση για εργατικά ή ανταλλακτικά, το προϊόν ή τα ελαττωματικά εξαρτήματά του, εντός εύλογου χρόνου, βάσει των όρων και συνθηκών που εκτίθενται παρακάτω. Η Sony και τα μέλη του δικτύου Εξουσιοδοτημένων Σέρβις ASN μπορούν να αντικαταστήσουν ελαττωματικά προϊόντα ή εξαρτήματα με νέα ή ανακυκλωμένα προϊόντα ή εξαρτήματα. Όλα τα προϊόντα και εξαρτήματα που έχουν αντικατασταθεί γίνονται ιδιοκτησία της Sony.

### Όροι

1. Επισκευές δυνάμει της παρούσας εγγύησης θα παρέχονται μόνο εάν προσκομισθεί το πρωτότυπο τιμολόγιο ή η απόδειξη πώλησης (με την ένδειξη της ημερομηνίας αγοράς, του μοντέλου του προϊόντος και του ονόματος του εμπόρου) μαζί με το ελαττωματικό προϊόν εντός της περιόδου εγγύησης. Η Sony και τα μέλη του δικτύου Εξουσιοδοτημένων Σέρβις ASN μπορούν να αρνηθούν τη δωρεάν επισκευή κατά την περίοδο εγγύησης εάν δεν προσκομισθούν τα προαναφερόμενα έγγραφα ή εάν δεν προκύπτουν από αυτά η ημερομηνία αγοράς, το προϊόν ή το μοντέλο του προϊόντος ή το όνομα του εμπόρου. Η παρούσα εγγύηση δεν ισχύει εάν ο τύπος του μοντέλου ή ο σειριακός αριθμός του προϊόντος έχει αλλοιωθεί, διαγραφεί, αφαιρεθεί ή καταστεί δυσανάγνωστος.
2. Για να αποφευχθεί βλάβη ή απώλεια/ διαγραφή σε αφαιρούμενα ή αποσπώμενα μέσα ή εξαρτήματα αποθήκευσης δεδομένων, οφείλετε να τα αφαιρέσετε πριν παραδώσετε το προϊόν σας για επισκευή κατά την περίοδο εγγύησης.
3. Η παρούσα εγγύηση δεν καλύπτει τα έξοδα και τους κινδύνους μεταφοράς που συνδέονται με τη μεταφορά του προϊόντος σας προς και από τη Sony ή μέλος του δικτύου ASN.
4. Η παρούσα εγγύηση δεν καλύπτει τα εξής:
  - Περιοδική συντήρηση και επισκευή ή αντικατάσταση εξαρτημάτων ως αποτέλεσμα φυσιολογικής φθοράς.
  - Αναλώσιμα (συστατικά μέρη για τα οποία προβλέπεται περιοδική αντικατάσταση κατά τη διάρκεια ζωής ενός προϊόντος όπως μη επαναφορτιζόμενες μπαταρίες, φυσιγγία εκτύπωσης, γραφίδες, λάμπες, κλπ.).
  - Ζημιά ή ελαττώματα που προκλήθηκαν λόγω χρήσης, λειτουργίας ή χειρισμού ασύμβατων με την κανονική ατομική ή οικιακή χρήση.
  - Ζημιές ή αλλαγές στο προϊόν που προκλήθηκαν από
    - Κακή χρήση, συμπεριλαμβανομένου:
      - του χειρισμού που επιφέρει φυσική, αισθητική ή επιφανειακή ζημιά ή αλλαγές στο προϊόν ή βλάβη σε οθόνες υγρών κρυστάλλων
      - μη κανονική ή μη σύμφωνη με τις οδηγίες της Sony εγκατάσταση ή χρήση του προϊόντος
      - μη συντήρηση του προϊόντος σύμφωνα με τις οδηγίες σωστής συντήρησης της Sony
      - εγκατάσταση ή χρήση του προϊόντος με τρόπο μη σύμφωνο με τις τεχνικές προδιαγραφές και τα πρότυπα ασφαλείας που ισχύουν στη χώρα όπου έχει εγκατασταθεί και χρησιμοποιείται το προϊόν.
    - Μολύνσεις από ιούς ή χρήση του προϊόντος με λογισμικό που δεν παρέχεται με το προϊόν ή λανθασμένη εγκατάσταση του λογισμικού.
    - Την κατάσταση ή τα ελαττώματα των συστημάτων με τα οποία χρησιμοποιείται ή στα οποία ενσωματώνεται το προϊόν εκτός από άλλα προϊόντα της Sony ειδικά σχεδιασμένα για να χρησιμοποιούνται με το εν λόγω προϊόν.
    - Χρήση του προϊόντος με εξαρτήματα, περιφερειακό εξοπλισμό και άλλα προϊόντα των οποίων ο τύπος, η κατάσταση και το πρότυπο δεν συνιστώνται από τη Sony.
    - Επισκευή ή επιχειρηθείσα επισκευή από άτομα που δεν είναι μέλη της Sony ή του δικτύου ASN.

- Ρυθμίσεις ή προσαρμογές χωρίς την προηγούμενη γραπτή συγκατάθεση της Sony, στις οποίες συμπεριλαμβάνονται:
  - η αναβάθμιση του προϊόντος πέρα από τις προδιαγραφές ή τα χαρακτηριστικά που περιγράφονται στο εγχειρίδιο χρήσης ή
  - οι τροποποιήσεις του προϊόντος με σκοπό να συμμορφωθεί προς εθνικές ή τοπικές τεχνικές προδιαγραφές και πρότυπα ασφαλείας που ισχύουν σε χώρες για τις οποίες το προϊόν δεν είχε σχεδιαστεί και κατασκευαστεί ειδικά.
- Αμέλεια.
- Ατυχήματα, πυρκαγιά, υγρασία, χημικές και άλλες ουσίες, πλημμύρα, δονήσεις, υπερβολική θερμοκρασία, ακατάλληλο εξοπλισμό, υπέρταση, υπερβολική ή εσφαλμένη τροφοδοσία ή τάση εισόδου, ακτινοβολία, ηλεκτροστατικές εκκενώσεις συμπεριλαμβανομένου του κεραυνού, άλλων εξωτερικών δυνάμεων και επιδράσεων.

**5. Η παρούσα εγγύηση καλύπτει μόνο τα υλικά μέρη του προϊόντος. Δεν καλύπτει το λογισμικό (είτε της Sony, είτε τρίτων κατασκευαστών) για το οποίο παρέχεται ή πρόκειται να ισχύσει μια άδεια χρήσης από τον τελικό χρήστη ή χωριστές δηλώσεις εγγύησης ή εξαιρέσεις από την εγγύηση.**

### **Εξαιρέσεις και περιορισμοί**

Με εξαίρεση των όσων αναφέρονται ανωτέρω, η Sony δεν παρέχει καμία εγγύηση (ρητή, σιωπηρή, εκ του νόμου ή άλλη) όσον αφορά την ποιότητα, την επίδοση, την ακρίβεια, την αξιοπιστία, την καταλληλότητα του προϊόντος ή του λογισμικού που παρέχεται ή συνοδεύει το προϊόν, για συγκεκριμένο σκοπό. Εάν η ισχύουσα νομοθεσία απαγορεύει πλήρως ή μερικώς την παρούσα εξαίρεση, η Sony εξαιρεί ή περιορίζει την εγγύησή της μόνο στη μέγιστη έκταση που επιτρέπει η ισχύουσα νομοθεσία. Οποιαδήποτε εγγύηση η οποία δεν εξαιρείται πλήρως (στο μέτρο που το επιτρέπει ο ισχύων νόμος) θα περιορίζεται στη διάρκεια ισχύος της παρούσας εγγύησης.

Η μοναδική υποχρέωση της Sony σύμφωνα με την παρούσα εγγύηση είναι η επισκευή ή η αντικατάσταση προϊόντων που υπόκεινται στους όρους και συνθήκες της εγγύησης. Η Sony δεν ευθύνεται για οποιαδήποτε απώλεια ή ζημιά που σχετίζεται με τα προϊόντα, το σέρβις, την παρούσα εγγύηση, συμπεριλαμβανομένων – των οικονομικών και άυλων απωλειών – του τιμήματος που καταβλήθηκε για την αγορά του προϊόντος – της απώλειας κερδών, εισοδήματος, δεδομένων, απόλαυσης ή χρήσης του προϊόντος ή οποιωνδήποτε συνδεδεμένων προϊόντων – της άμεσης, παρεμπόδισης ή επακόλουθης απώλειας ή ζημίας ακόμη και αν αυτή η απώλεια ή ζημιά αφορά σε:

- Μειωμένη λειτουργία ή μη λειτουργία του προϊόντος ή συνδεδεμένων προϊόντων λόγω ελαττωμάτων ή μη διαθεσιμότητας κατά την περίοδο που αυτό βρίσκεται στη Sony ή σε μέλος του δικτύου ASN, η οποία προκάλεσε διακοπή διαθεσιμότητας του προϊόντος, απώλεια χρόνου χρήστη ή διακοπή της εργασίας.
- Παροχή ανακριβών πληροφοριών που ζητήθηκαν από το προϊόν ή από συνδεδεμένα προϊόντα.

- Ζημιά ή απώλεια λογισμικών προγραμμάτων ή αφαιρεόμενων μέσων αποθήκευσης δεδομένων ή
- Μολύνσεις από ιούς ή άλλες αιτίες.

Τα ανωτέρω ισχύουν για απώλειες και ζημιές, που υπόκεινται σε οιοσδήποτε γενικές αρχές δικαίου, συμπεριλαμβανομένης της αμέλειας ή άλλων αδικοπραξιών, αθέτησης σύμβασης, ρητής ή σιωπηρής εγγύησης, και απόλυτης ευθύνης (ακόμα και για θέματα για τα οποία η Sony ή μέλος του δικτύου ASN έχει ειδοποιηθεί για τη δυνατότητα πρόκλησης τέτοιων ζημιών).

Στο μέτρο που η ισχύουσα νομοθεσία απαγορεύει ή περιορίζει αυτές τις εξαιρέσεις ευθύνης, η Sony εξαιρεί ή περιορίζει την ευθύνη της μόνο στη μέγιστη έκταση που της επιτρέπει η ισχύουσα νομοθεσία. Για παράδειγμα, μερικά κράτη απαγορεύουν την εξαίρεση ή τον περιορισμό ζημιών που οφείλονται σε αμέλεια, σε βαριά αμέλεια, σε εκ προθέσεως παράπτωμα, σε δόλο και παρόμοιες πράξεις. Σε καμία περίπτωση, η ευθύνη της Sony κατά την παρούσα εγγύηση, δεν υπερβαίνει την τιμή που καταβλήθηκε για την αγορά του προϊόντος, ωστόσο αν η ισχύουσα νομοθεσία επιτρέπει μόνο περιορισμούς ευθυνών υψηλότερου βαθμού, θα ισχύουν οι τελευταίοι.

Τα επιφυλασσόμενα νόμιμα δικαιώματά σας  
Ο καταναλωτής έχει έναντι της Sony τα δικαιώματα που απορρέουν από την παρούσα εγγύηση, σύμφωνα με τους όρους που περιέχονται σε αυτήν, χωρίς να παραβιάζονται τα δικαιώματά του που πηγάζουν από την ισχύουσα εθνική νομοθεσία σχετικά με την πώληση καταναλωτικών προϊόντων. Η παρούσα εγγύηση δεν θίγει τα νόμιμα δικαιώματα που ενδεχομένως να έχετε, ούτε εκείνα που δεν μπορούν να εξαιρεθούν ή να περιοριστούν, ούτε δικαιώματά σας εναντίον των προσώπων από τα οποία αγοράσατε το προϊόν. Η διεκδίκηση οποιωνδήποτε δικαιωμάτων σας εναπόκειται αποκλειστικά σε εσάς.

### **Sony Hellas A.E.E.**

Βασ. Σοφίας 1 Μαρούσι 15124

### **Τμήμα Εξυπηρέτησης Πελατών Sony**

Τηλ. 801 11 92000

e-mail : cic-greece@eu.sony.com

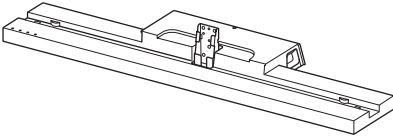
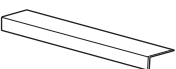
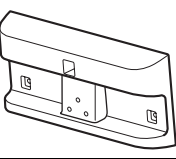

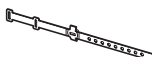


### Σημείωση σχετικά με την εξαγωγή της Βάσης της τηλεόρασης από τη συσκευασία

Φροντίστε να κρατάτε και να χειρίζεστε με προσοχή τη Βάση της τηλεόρασης.

Ανατρέξτε στις οδηγίες λειτουργίας που παρέχονται με την τηλεόρασή σας για πληροφορίες σχετικά με τον τρόπο αφαίρεσης της Βάσης επιτραπέζιας τοποθέτησης από την τηλεόραση.

## Βήμα 1: Έλεγχος εξαρτημάτων

Όνομα	Ποσότητα
Βάση 	1
Πίσω κάλυμμα* 	2
Σύνδεσμος 	1
Βίδα προσαρτήσης στον κορμό της Βάσης της τηλεόρασης (PSW5 × 16) μαύρη (× 3) Βίδα συνδέσμου (PSW5 × 16) μαύρη (× 3) 	6
Μετασχηματιστής εναλλασσόμενου ρεύματος	
Καλώδιο τροφοδοσίας	
Καλώδιο HDMI υψηλής ταχύτητας	1
Βάση καλωδίου 	1
Εγχειρίδιο οδηγιών	1
Κάρτα εγγύησης	

\* Μόνο για το μοντέλο SU-B550S.

### ΠΡΟΕΙΔΟΠΟΙΗΣΗ

Εάν το καλώδιο τροφοδοσίας πατηθεί κάτω από ή ανάμεσα στα τμήματα του εξοπλισμού, ενδέχεται να προκληθεί βραχυκύκλωμα ή ηλεκτροπληξία. Εάν σκοντάψετε πάνω στο καλώδιο τροφοδοσίας ή στο καλώδιο σύνδεσης, η Βάση της τηλεόρασης ενδέχεται να αναποδογυρίσει και να προκληθεί τραυματισμός.

### Καθορίστε τη θέση τοποθέτησης και τοποθετήστε σε αυτήν τη Βάση της τηλεόρασης πριν από την τοποθέτηση της τηλεόρασης.

Επειδή η τηλεόραση είναι βαριά, συνιστάται να καθορίσετε τη θέση τοποθέτησης εκ των προτέρων και να συναρμολογήσετε τη Βάση της τηλεόρασης επί τόπου.



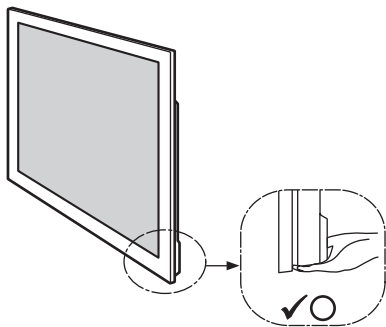
## Βήμα 2: Τοποθέτηση της τηλεόρασης

### Πριν από τη συναρμολόγηση

- Πριν από τη συναρμολόγηση φροντίστε να έχετε ένα κατσαβίδι Phillips, το οποίο ταιριάζει στις βίδες.
- Εάν χρησιμοποιήσετε ηλεκτρικό κατσαβίδι, ρυθμίστε τη ροπή στρέψης περίπου στην τιμή 1,5 N·m {15 kgf·cm}.

### 1 Κρατήστε την τηλεόραση στο καθορισμένο σημείο κατά τη μετακίνησή της.

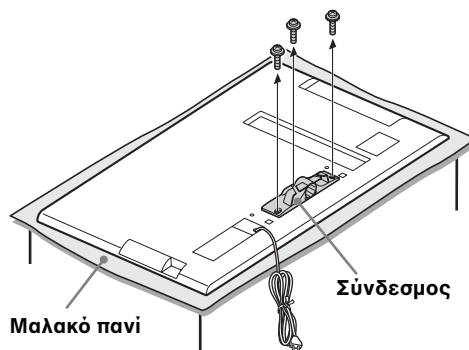
Βεβαιωθείτε ότι κρατάτε την τηλεόραση, όπως φαίνεται στην εικόνα:



- Όταν μεταφέρετε την τηλεόραση με τα χέρια, κρατήστε την όπως φαίνεται παραπάνω. Μην ασκείτε πίεση στην οθόνη LCD και στο πλαίσιο που περιβάλλει την οθόνη.

### 2 Αφαιρέστε τις βίδες από το σύνδεσμο στο πίσω μέρος της τηλεόρασης.

Γλιστρήστε το σύνδεσμο προς τα κάτω για να τον αφαιρέσετε.



- Φυλάξτε τις βίδες που αφαιρέσατε.
- Κατά την αφαίρεση της Βάσης επιτραπέζιας τοποθέτησης από την οθόνη, ακουμπήστε την τηλεόραση με την οθόνη προς τα κάτω πάνω σε μια σταθερή επιφάνεια εργασίας που να είναι μεγαλύτερη από την οθόνη.
- Για την αποφυγή πρόκλησης φθοράς στην επιφάνεια της οθόνης LCD, τοποθετήστε ένα μαλακό πανί πάνω στην επιφάνεια εργασίας.

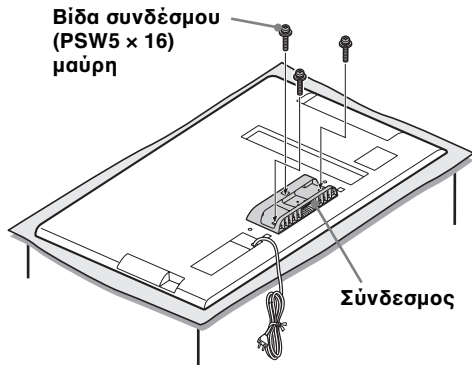
### ΠΡΟΣΟΧΗ

- Αν ασκηθεί πίεση ή κρούση στην επιφάνεια της οθόνης, η οθόνη υγρών κρυστάλλων ενδέχεται να σπάσει ή να υποστεί ζημιά.
- Τοποθετήστε την τηλεόραση με την οθόνη προς τα κάτω σε στέρεα και επίπεδη επιφάνεια με τη Βάση επιτραπέζιας τοποθέτησης να προεξέχει από την επιφάνεια αυτή.  
Αν έχετε και την πρόσοψη της οθόνης και τη Βάση επιτραπέζιας τοποθέτησης πάνω στην ίδια επίπεδη επιφάνεια, δημιουργούνται μη στέρεες συνθήκες εργασίας και μπορεί να προκληθεί ζημιά στην οθόνη.

(Συνεχίζεται)

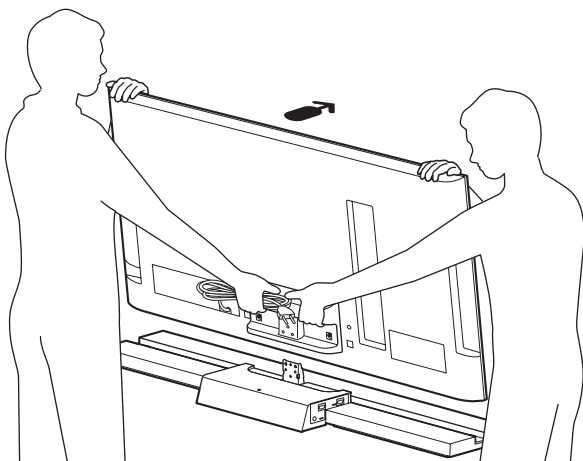
### 3 Προσαρτήστε το σύνδεσμο που παρέχεται στο πίσω μέρος της τηλεόρασης με τις τρεις μαύρες βίδες (PSW5 x 16) (παρέχονται).

Γλιστρήστε το σύνδεσμο που παρέχεται προς τα πάνω για να τον προσαρτήσετε.



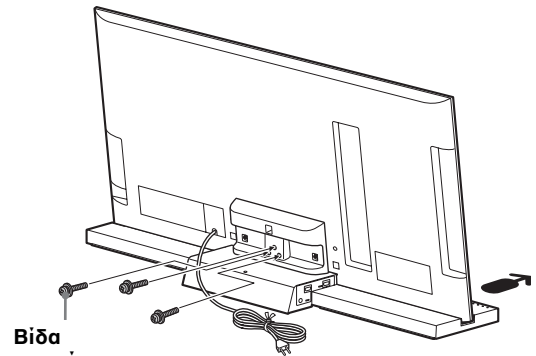
### 4 Τοποθετήστε την τηλεόραση πάνω στη Βάση της τηλεόρασης.

Η τηλεόραση τοποθετείται στην εγκοπή της Βάσης της τηλεόρασης.



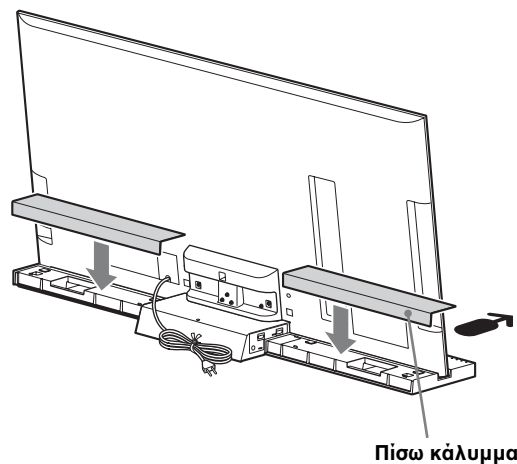
← Η κατεύθυνση του βέλους δείχνει την μπροστινή πλευρά της Βάσης της τηλεόρασης.

### 5 Ασφαλίστε την τηλεόραση στη Βάση της τηλεόρασης με τις τρεις μαύρες βίδες προσάρτησης στον κορμό της Βάσης της τηλεόρασης (PSW5 x 16) (παρέχονται).

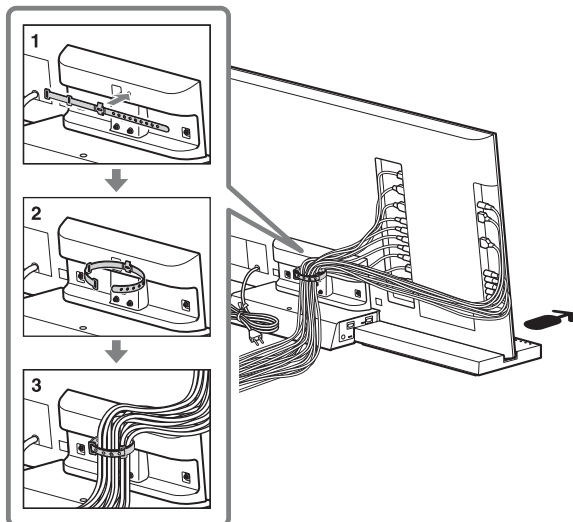


Βίδα προσάρτησης στον κορμό της Βάσης της τηλεόρασης (PSW5 x 16) μαύρη

### 6 Προσαρτήστε το πίσω κάλυμμα στη Βάση της τηλεόρασης. (Μόνο για το μοντέλο SU-B550S)



## 7 Τακτοποίηση των καλωδίων.

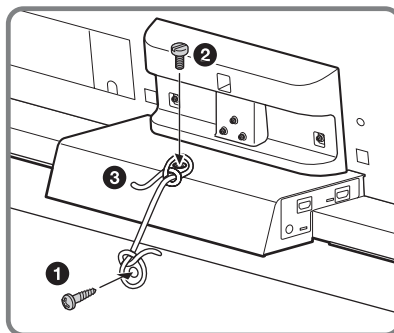
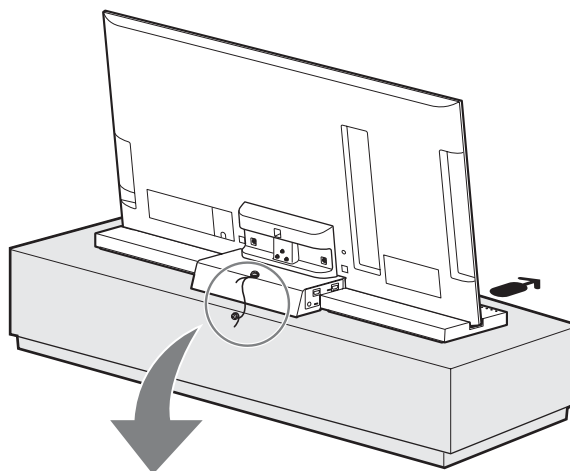


- Μην τυλίγετε το καλώδιο τροφοδοσίας μαζί με άλλα καλώδια.

## Βήμα 3: Μέτρα ασφαλείας για την πρόληψη ανατροπής

### ΠΡΟΕΙΔΟΠΟΙΗΣΗ

Λάβετε τα απαραίτητα μέτρα για να αποφύγετε την ανατροπή της Βάσης της τηλεόρασης και την πιθανή πρόκληση τραυματισμού και βλάβης.



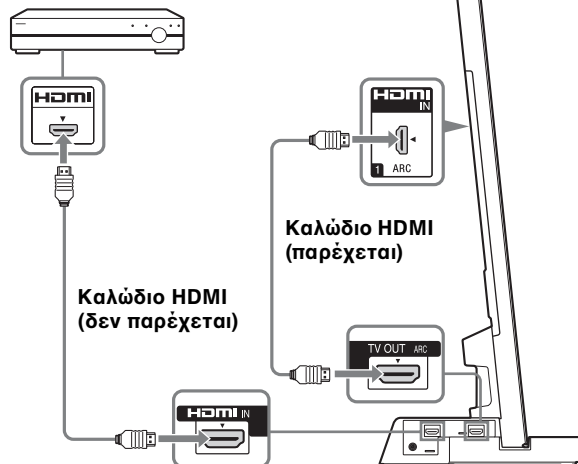
- 1 Τοποθετήστε μια ξυλόβίδα (διαμέτρου 4 mm, δεν παρέχεται) στο πλαίσιο.
- 2 Τοποθετήστε μια σιδερόβίδα (M4 x 16, δεν παρέχεται) στην οπή βίδας της Βάσης της τηλεόρασης.
- 3 Δέστε την ξυλόβίδα και τη σιδερόβίδα με ένα γερό σχοινί (δεν παρέχεται).

## Βήμα 4: Σύνδεση της τηλεόρασης και της συσκευής αναπαραγωγής

### Συνδέστε την τηλεόραση με υποδοχή HDMI στη Βάση της τηλεόρασης χρησιμοποιώντας ένα καλώδιο HDMI.

Όταν συνδέετε εξοπλισμό συμβατό με την τεχνολογία Sony "BRAVIA" Sync χρησιμοποιώντας καλώδια HDMI, η λειτουργία μπορεί να απλουστευθεί όταν ρυθμίσετε τη λειτουργία Ρυθμιστικό για HDMI για την τηλεόραση.

Συσκευή αναπαραγωγής Blu-ray Disc κλπ.



- Η Βάση της τηλεόρασης είναι συμβατή με τη λειτουργία Audio Return Channel (ARC). Εάν συνδέσετε τη Βάση της τηλεόρασης στην υποδοχή HDMI μιας τηλεόρασης συμβατής με ARC μέσω ενός καλωδίου HDMI, δεν χρειάζεται να συνδέσετε την τηλεόραση στη Βάση της τηλεόρασης με το ψηφιακό οπτικό καλώδιο.
- Μπορείτε να δείτε τα γράμματα "ARC" δίπλα στην υποδοχή HDMI της τηλεόρασης, εάν αυτή είναι συμβατή με τη λειτουργία ARC. Ακόμα και αν συνδέσετε ένα καλώδιο HDMI στην υποδοχή, εάν η υποδοχή εισόδου HDMI δεν είναι συμβατή με τη λειτουργία ARC, δεν μπορείτε να χρησιμοποιήσετε τη λειτουργία ARC.
- Η λειτουργία ARC είναι διαθέσιμη μόνον όταν το Ρυθμιστικό για HDMI είναι ενεργοποιημένο.



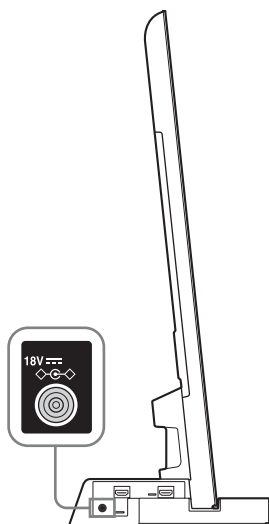
- Ακόμα και αν η Βάση της τηλεόρασης είναι απενεργοποιημένη (σε ενεργή κατάσταση αναμονής), το σήμα HDMI αποστέλλεται από το συνδεδεμένο εξοπλισμό στην τηλεόραση μέσω της σύνδεσης HDMI. Μπορείτε να απολαύσετε εικόνα και ήχο από τον εξοπλισμό στην τηλεόραση.

### Σημειώσεις σχετικά με τις συνδέσεις HDMI

- Χρησιμοποιήστε ένα καλώδιο HDMI υψηλής ταχύτητας. Εάν χρησιμοποιήσετε ένα τυπικό καλώδιο HDMI, οι εικόνες 1080p, Deep Colour ή 3D ενδέχεται να μην εμφανίζονται σωστά.
- Συνιστάται η χρήση ενός εγκεκριμένου καλωδίου HDMI.
- Ελέγξτε την ρύθμιση του συνδεδεμένου εξοπλισμού εάν η εικόνα είναι κακής ποιότητας ή δεν παράγεται ήχος από τον εξοπλισμό που έχει συνδεθεί μέσω του καλωδίου HDMI.
- Τα ηχητικά σήματα (συχνότητα δειγματοληψίας, μήκος bit κλπ.) που μεταδίδονται από μια υποδοχή HDMI ενδέχεται να καταστέλλονται από το συνδεδεμένο εξοπλισμό.
- Ο ήχος μπορεί να διακοπεί όταν αλλάξει η συχνότητα δειγματοληψίας ή ο αριθμός καναλιών των ηχητικών σημάτων εξόδου από τη συσκευή αναπαραγωγής.
- Όταν ο συνδεδεμένος εξοπλισμός δεν είναι συμβατός με την τεχνολογία ασφάλειας πνευματικής ιδιοκτησίας (HDCP), η εικόνα ή/και ο ήχος από την υποδοχή HDMI TV OUT ενδέχεται να παραμορφώνεται ή να μην εξάγεται. Σε αυτήν την περίπτωση, ελέγξτε τις προδιαγραφές του συνδεδεμένου εξοπλισμού.
- Δεν συνιστάται η χρήση καλωδίου μετατροπής HDMI-DVI.
- Αυτό το σύστημα υποστηρίζει μετάδοση Deep Colour, "x.v.Colour" και 3D.

## Βήμα 5: Σύνδεση του καλωδίου τροφοδοσίας

Προτού συνδέσετε το καλώδιο τροφοδοσίας της Βάσης της τηλεόρασης σε μια πρίζα του τοίχου, συνδέστε όλες τις άλλες συσκευές και την τηλεόραση με τη Βάση της τηλεόρασης.



- Συνδέστε τη Βάση της τηλεόρασης σε μια εύκολα προσβάσιμη πρίζα του τοίχου. Εάν παρατηρήσετε κάποια δυσλειτουργία της Βάσης της τηλεόρασης, αποσυνδέστε αμέσως το βύσμα από την πρίζα του τοίχου.

## Βήμα 6: Εκτέλεση των ρυθμίσεων της τηλεόρασης

### ❶ Ορίστε στην επιλογή "Ναι" στη λειτουργία "Ρυθμιστικό για HDMI".

Πιέστε το κουμπί HOME στο τηλεχειριστήριο της τηλεόρασης και επιλέξτε το μενού ως εξής:  
📺 Ρυθμίσεις > 🏠 Εξωτερ. είσοδοι > Ρυθμίσεις HDMI > Ρυθμιστικό για HDMI > Ναι

### ❷ Ορίστε στην επιλογή "Ήχοσύστημα" στο μενού "Ήχια".

Πιέστε το κουμπί HOME στο τηλεχειριστήριο της τηλεόρασης και επιλέξτε το μενού ως εξής:  
📺 Ρυθμίσεις > 🔊 Ήχος > Ήχια > Ήχοσύστημα



- Αφού ολοκληρώσετε τις ρυθμίσεις για τη διαδικασία ❶ και ❷, η ένδειξη I (τροφοδοσία) ανάβει με πράσινο χρώμα.



### • Λειτουργία Επιλογή Σκηنيού

Αυτή η Βάση της τηλεόρασης συγχρονίζεται αυτόματα με τις ρυθμίσεις ήχου της τηλεόρασης και συνεργάζεται με τη λειτουργία Επιλογή Σκηنيού, ώστε να μπορείτε να επιλέξετε τον ήχο που προτιμάτε για το επιλεγμένο σκηنيό.

Για να αλλάξετε τον ήχο, αλλάξτε τις ρυθμίσεις ήχου της τηλεόρασης.



Προτού χρησιμοποιήσετε αυτήν τη λειτουργία, βεβαιωθείτε ότι στην τηλεόραση έχουν γίνει οι παρακάτω ρυθμίσεις.

# Αντιμετώπιση προβλημάτων

## Ήχος

Δεν ακούγεται ήχος:

- Ελέγξτε τη σύνδεση του καλωδίου HDMI.
- Ελέγξτε τις ρυθμίσεις για το "Ρυθμιστικό για HDMI" και το "Ηχοσύστημα" στο Βήμα 6 (σελίδα 13).

Χρήση με ακουστικά:

- Αλλάξτε το "Ηχοσύστημα" στην επιλογή "Ηχείο Τηλεόραση" στη ρύθμιση "Ηχεία".

Χρήση με την επιλογή διφωνικού ήχου της ψηφιακής μετάδοσης της τηλεόρασης:

- Ανάλογα με τη μετάδοση, δεν είναι δυνατή η αλλαγή του ήχου. Αλλάξτε τη ρύθμιση "Οπτική Έξοδος" της τηλεόρασης από την επιλογή "Αυτόμ." στην επιλογή "PCM".

Χρήση με την επιλογή εξωτερικής συσκευής για διφωνικό ήχο:

- Αν δεν είναι δυνατή η αλλαγή του ήχου, αλλάξτε τη ρύθμιση εξόδου ήχου της εξωτερικής συσκευής για να ενεργοποιήσετε το PCM.

## Ένδειξη

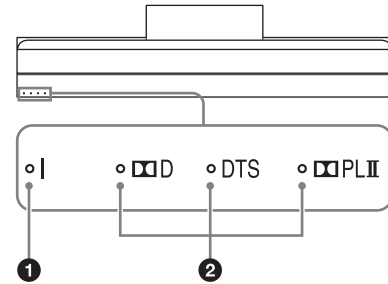
Παρόλο που η τηλεόραση είναι ενεργοποιημένη, η ένδειξη **I** (λειτουργία) της Βάσης της τηλεόρασης δεν ανάβει:

- Ελέγξτε τη σύνδεση του καλωδίου τροφοδοσίας κλπ.
- Επικοινωνήστε με τις υπηρεσίες υποστήριξης πελατών.

Η ένδειξη **I** (λειτουργία) αναβοσβήνει με κόκκινο χρώμα:

- Μπορεί να προέκυψε δυσλειτουργία του προϊόντος. Ελέγξτε πόσες φορές αναβοσβήνει η ενδεικτική λυχνία LED και επικοινωνήστε με το κέντρο εξυπηρέτησης της Sony.

# Ένδειξη



### 1 Ένδειξη I (λειτουργία)

Ανάβει ως εξής:

Πράσινη: Η βάση τηλεόρασης είναι ενεργοποιημένη. (Η ρύθμιση "Ηχοσύστημα" έχει οριστεί για τα "Ηχεία".)

Σβηστή: Η Βάση της τηλεόρασης είναι σε κατάσταση αναμονής ή απενεργοποιημένη.

### 2 Ενδείξεις μορφής ήχου

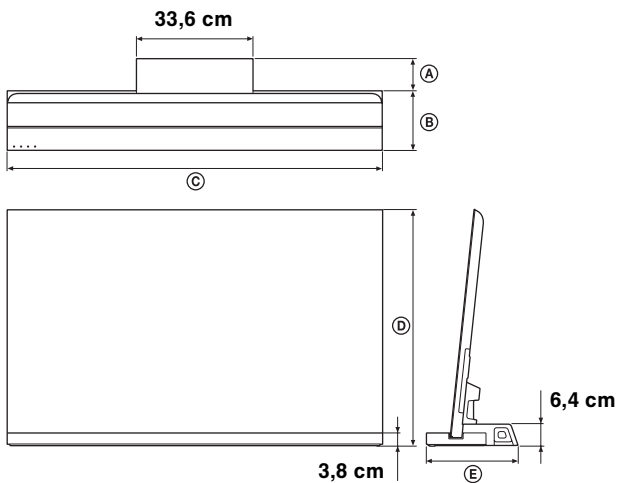
Ανάβουν ανάλογα με τη μορφή ήχου που εισάγεται στη Βάση της τηλεόρασης.

**D**: Dolby Digital

**DTS**

**PLII**: Dolby Pro Logic II

# Προδιαγραφές



		SU-B550S	SU-B460S	SU-B400S
Διαστάσεις: cm	Ⓐ	8,1	9,3	10
	Ⓑ	20	17,2	16,1
	Ⓒ	127,6	108,3	94,4
	Ⓓ	79,3	68,4	60,6
	Ⓔ	28,1	26,5	26,1
Βάρος Βάσης:		5,8 kg	5,4 kg	5,1 kg

## Τμήμα ενισχυτή

Ονομαστική ισχύς εξόδου

Μπροστά: 10 W + 10 W, (ανά κανάλι) 12 ohm, 1 kHz, THD λιγότερο από 1%  
Subwoofer: 20 W, 6 ohm, 100 Hz, THD λιγότερο από 1%

## Τμήμα HDMI

Σύνδεσμος

Σύνδεσμος HDMI™

Είσοδος/

640 × 480p@60 Hz

Έξοδος εικόνας

720 × 480p@59,94/60 Hz

1280 × 720p@59,94/60 Hz

1920 × 1080i@59,94/60 Hz

1920 × 1080p@59,94/60 Hz

720 × 576p@50 Hz

1280 × 720p@50 Hz

1920 × 1080i@50 Hz

1920 × 1080p@50 Hz

1920 × 1080p@24 Hz

Deep Colour: 30bit/36bit

Είσοδος/Έξοδος  
εικόνας (3D)

1280 × 720p@59,94/60 Hz

Τοποθέτηση καρτέ

1920 × 1080i@59,94/60 Hz

Τοποθέτηση καρτέ

1920 × 1080i@59,94/60 Hz

Σε παράθεση (μυσό)

1920 × 1080p@59,94/60 Hz

Σε παράθεση (μυσό)

1280 × 720p@50 Hz

Τοποθέτηση καρτέ

1920 × 1080i@50 Hz

Τοποθέτηση καρτέ

1920 × 1080i@50 Hz

Σε παράθεση (μυσό)

1920 × 1080p@50 Hz

Σε παράθεση (μυσό)

1920 × 1080p@24 Hz

Τοποθέτηση καρτέ

Deep Colour: 30bit/36bit

Γραμμικό PCM 7.1ch/

Dolby Digital/DTS

Είσοδος ήχου

## Ηχεία

### Μονάδα μπροστινού ηχείου

Σύστημα ηχείων 2 δρόμων, 3 μονάδων οδήγησης, τύπου βαθυανακλαστήρα (Bass reflex)

Μονάδα ηχείου Woofer: 30 × 82 mm κωνικού τύπου × 2

Tweeter: 14 mm θολωτού τύπου

### Μονάδα subwoofer

Σύστημα ηχείων Subwoofer, τύπου

βαθυανακλαστήρα (Bass reflex)

Μονάδα ηχείου 70 mm κωνικού τύπου

## Γενικά

Απαιτήσεις ισχύος 100 – 240 V, 50/60 Hz

Κατανάλωση ισχύος

Σε λειτουργία: 12 W

Σε κατάσταση αναμονής: 0,7 W

- Κατανάλωση ισχύος σε κατάσταση αναμονής: 0,7 W
- Ορισμένες κάρτες τυπωμένων κυκλωμάτων δεν χρησιμοποιούν αλογονωμένα επιβραδυντικά φλόγας.
- Ο πλήρης ψηφιακός ενισχυτής S-Master επιτυγχάνει απόδοση ισχύος μεγαλύτερη από 85 %.

Ο σχεδιασμός και οι προδιαγραφές υπόκεινται σε αλλαγή χωρίς προειδοποίηση.



## Güvenlik Hakkında

**Bu ürünü satın aldığınız için teşekkür ederiz. Sony ürünleri güvenlik göz önünde bulundurulmuş tasarlanmıştır. Yanlış kullanım yangın, elektrik çarpması, ürünün devrilmesi veya düşmesine yol açabilir. Bu tip kazaları önlemek için güvenlik uyarılarına uyduğunuzdan emin olun.**

Bu kullanım kılavuzu ürünün nasıl doğru kullanılacağını göstermektedir ve kazaları önlemek için gerekli önemli uyarılar içermektedir. Bu kılavuzu iyice okuduğunuzdan ve ürünü doğru kullandığınızdan emin olun. Bu kullanma kılavuzunu ileride kullanmak üzere saklayın.

## DİKKAT

### Belirtilen ürünler

Bu sehpa aşağıda belirtilen Sony ürünler ile birlikte kullanım için tasarlanmıştır. Belirtilen ürünler haricindeki ürünleri monte etmeyin.

Aşağıdaki ürünler önceden haber verilmeksizin değiştirilebilir, stokta bulunmayabilir veya artık üretilmiyor olabilir.

Ayrıca, bazı modeller sadece bazı bölgelerde satılır.

	Renkli LCD TV
SU-B550S	KDL-55NX81□*
SU-B460S	KDL-46NX71□*
SU-B400S	KDL-40NX71□*

(Ağustos 2010 itibarıyla)

\* Gerçek model adlarında, "□" harfleri her model için özel sayıları ve/veya karakterleri gösterir.

### Tanım etiketinin konumu

Model No etiketi TV Sehpasının arkasında yer alır.

### Televizyon Sehpasını elden çıkartma



**Eski Elektrikli & Elektronik Cihazların İmhası (Avrupa Birliği ve diğer Avrupa ülkelerinde ayrı toplama sistemleriyle uygulanmaktadır)**

Ürünün veya ambalajı üzerindeki bu sembol, bu ürünün bir ev atığı gibi muamele görmemesi gerektiğini belirtir. Bunun yerine, elektrikli ve elektronik cihazların geri dönüşümü için uygun toplama noktasına teslim edilmelidir. Bu ürünün doğru bir şekilde elden çıkarılmasını sağlayarak, uygunsuz bir elden çıkarma durumunda çevre ve insan sağlığı açısından doğacak potansiyel olumsuz sonuçların önlenmesine yardımcı olmuş olacaksınız. Malzemelerin geri dönüştürülmesi doğal kaynakların korunmasına yardımcı olacaktır. Bu ürünün geri dönüşümü hakkında daha detaylı bilgi için lütfen yerel sivil bürounuz, ev atıkları imha hizmetleri veya ürünü satın aldığınız satıcı ile temasa geçiniz.

## UYARI

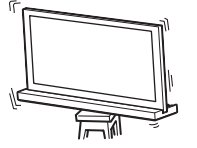
**Aşağıdaki uyarılara uyulmaması yangın, elektrik çarpması veya ürünün devrilmesi sebebiyle ciddi yaralanmalarla veya ölümlerle sonuçlanabilir.**

### TV Sehpasının devrilmesini önlemek üzere önlemler aldığınızdan emin olun.

Aksi takdirde TV devrilebilir ve yaralanmalara yol açabilir. Devrilmeyi önlemek için TV Sehpasını ve rafını vb. sabitleyin.

### TV Sehpasını dengeli bir zemine monte ettiğinizden emin olun.

TV Sehpasını dengesiz bir zemine monte ederseniz, dengesini kaybedip devrilebilir veya düşebilir. Bu da yaralanmalara veya maddi hasara yol açabilir.



### TV Sehpa TV'ye monte edilmiş durumdayken TV'ye yaslanmayın veya asılmayın.

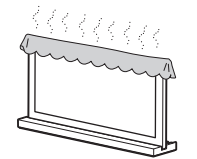
TV Sehpa devrilebilir veya TV düşebilir ve de ciddi yaralanmalara veya ölüme neden olabilir.



### TV'nin havalandırma deliklerini örtmeyin.

TV'deki havalandırma delikleri, TV'nin güvenilir bir şekilde çalışmasını sağlamak ve aşırı ısınmasını önlemek için gereklidir.

- Havalandırma deliklerini kumaş veya başka nesnelarla kapatmayın veya örtmeyin.
- Havalandırma deliklerinden içeri sıvı veya katı nesnelere düşmesine asla izin vermeyin.



### Vazo veya saksılı bitki gibi içi sıvı dolu nesnelere TV'nin üzerine yerleştirmeyin.

**Elektrik şebekesinden çalıştırılan bir TV'yi, örneğin bir küvet, lavabo, evye, çamaşır leğeni, ıslak bodrum katı veya bir yüzme havuzu gibi suyun yakınında kullanmayın.**



## TV'yi, doğrudan güneş ışığı, bir ısıtıcının veya ısıtma kanalının yanı gibi aşırı sıcaklığa maruz kalacağı bir yere kurmayın.

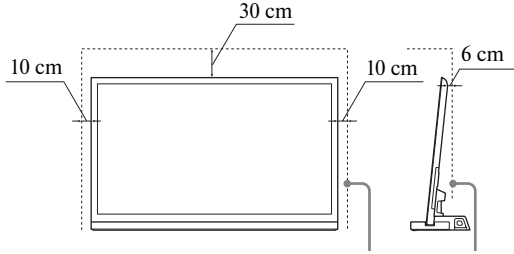
Bu tip durumlarda TV aşırı ısınabilir ve bu sebeple kasası deforme olabilir veya TV arızalanabilir.

## TV'yi klimadan gelen havaya doğrudan maruz kalacağı bir yere kurmayın.

İçinde nem yoğunlaşabilir ve TV'nin arızalanmasına yol açabilir.

## Gerekli hava sirkülasyonunu sağlamak için TV'nin etrafında yeterli boşluk bırakın.

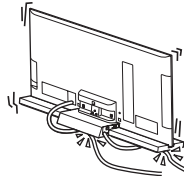
Televizyonun etrafında aşağıda gösterildiği gibi yeterli boşluk bırakın.



Televizyonun etrafında en az bu kadar boşluk bırakın.

## AC güç kablosu

- Sadece Sony AC güç kablolarını kullanın ve başka marka kablolar kullanmayın.
- TV'yi TV Sehпасına monte ederken, AC güç kablosunun veya bağlantı kablolarının ezilmesine izin vermeyin. AC güç kablosu veya bağlantı kabloları hasar görürse yangına veya elektrik çarpmasına sebep olabilir.
- TV Sehпасını taşıırken AC güç kablosunun veya bağlantı kablolarının üzerine basmayın. AC güç kablosu veya bağlantı kabloları hasar görebilir ve bu da yangına veya elektrik çarpmasına sebep olabilir.
- AC güç kablosuna veya bağlantı kablolarına takılırsanız, TV Sehпасı düşebilir ve yaralanmalara sebep olabilir.
- AC güç kablosunun duvar prizinden ayrılması TV Sehпасını güçten tamamen ayıracaktır.



## ELEKTRİK ADAPTÖRÜYLE İLGİLİ NOT

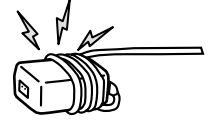
### Uyarı

Yangın veya elektrik çarpma riskini azaltmak için, cihazı yağmur veya neme maruz bırakmayın.

Yangın veya elektrik çarpmasını önlemek için, vazo gibi içi sıvı dolu nesnelere cihazın üzerine konulmamalıdır.

Bu cihazı, kitaplık rafı veya benzeri bir ünite gibi dar hacimlere yerleştirmeyin.

- Cihazın yakınına erişimi kolay bir elektrik prizinin bulunduğu lütfen emin olun.
- Birlikte verilen elektrik adaptörünü ve elektrik kablosunu kullandığınızdan emin olun.
- Başka bir elektrik adaptörü kullanmayın. Bu bir arızaya yol açabilir.
- Elektrik adaptörünü kolay erişilebilir bir elektrik prizine bağlayın.
- Elektrik kablosunu elektrik adaptörünün etrafına sarmayın. Kablonun içindeki teller kopabilir ve/veya televizyonun arızalanmasına sebep olabilir.
- Elektrik adaptörüne ıslak elle dokunmayın.
- Elektrik adaptöründe bir anormallik fark ederseniz, adaptörü derhal elektrik prizinden ayırın.
- Cihaz kapatılmış olsa bile, elektrik prizine bağlı kaldığı sürece cihazın elektrik kaynağıyla bağlantısı kesilmez.



## DİKKAT

Aşağıdaki uyarılara uyulmaması yaralanmalara veya maddi hasara yol açabilir.

## Belirtilen ürünler haricinde hiçbir ürünü monte etmeyin.

Bu TV Sehпасı sadece belirtilen ürünle kullanım için tasarlanmıştır. Belirtilenler haricinde ürünleri monte ederseniz, bu ürün düşebilir, kırılabilir ve yaralanmalara yol açabilir. Aksi belirtilmediği sürece, bu kılavuzda kullanılan resimler KDL-46NX71□ ürünlerini gösterir.

## TV'yi sabitlediğinizden emin olun.

TV'yi ürünle verilen vidaları kullanarak TV Sehпасına sabitleyin. TV güvenli bir şekilde sabitlenmezse düşebilir veya TV Sehпасı devrilip yaralanmalara yol açabilir.

## Montajla ilgili notlar

TV Sehпасının bir açı veya eğimle monte edilmesine izin vermeyin. Bunu önlemek için aşağıdaki uyarılara dikkat edin.

TV Sehпасını, bir altlık veya halı gibi yumuşak bir yüzeye monte ederseniz, ilgili yere önceden bir plaka yerleştirin.

- TV Sehпасını doğrudan güneş ışığına maruz kalacağı bir yere veya bir ısıtıcının yakınına monte etmeyin.
- TV Sehпасını sıcak veya nemli bir yere veya dış mekana monte etmeyin.

## Kullanımla ilgili Not

### Temizleme

TV Sehpasını temiz tutmak için, arada sırada kuru ve yumuşak bir bezle silin. İnatçı lekeler yumuşak sabunla hafifçe ıslatılmış bir bezle silerek çıkartılabilir. Ardından sildiğiniz alanı kuru ve yumuşak bir bezle kurutmayı unutmayın. TV Sehpasının kaplamasına zarar vereceği için tiner veya benzin gibi kimyasallar kullanmayın.

## Montaj işini iki veya daha fazla kişinin yapmasını sağlayın.

TV'yi TV Sehpasına iki veya daha fazla kişinin monte etmesini sağlayın. Montaj işini bir kişi tek başına yapmaya kalkarsa, bir kazaya veya yaralanmalara yol açabilir.

## TV Sehpasında bir değişiklik yapmayın.

Sehpa düşebilir ve yaralanmaya yol açabilir.

## TV'nin aşağıdaki yönergeler doğrultusunda monte edildiğinden emin olun.

Vidaları iyice sıkın. TV güvenli bir şekilde sabitlenmezse düşebilir ve yaralanmalara yol açabilir.

## Parçaları birleştirirken ellerinizi veya parmaklarınızı sıkıştırmamaya dikkat edin.

- TV Sehpasını Boyun kısmından tutarak oynatmayın.
- TV'yi monte ederken ellerinizi veya parmaklarınızı yaralamamaya dikkat edin.

## UYARILAR

### Güç kaynakları hakkında

- TV Sehpasını uzun bir süre kullanmayacaksanız, TV Sehpasını elektrik prizinden ayırdığınızdan emin olun. AC güç kablosunu ayırmak için fişten tutun, asla kablodan çekmeyin.
- AC güç kablosu sadece yetkili servis tarafından değiştirilmelidir.

### Çalıştırma hakkında

Başka cihazları bağlamadan önce, TV Sehpasını kapattığınızdan ve fişini çektiğinizden emin olun.

## Telif Hakları

Bu TV Sehpası Dolby\* Digital ve Pro Logic Surround ve de DTS\*\* Digital Surround Sistemine sahiptir.

- \* Dolby Laboratories lisansı ile üretilmiştir. Dolby, Pro Logic ve çift-D simgesi, Dolby Laboratories şirketinin ticari markalarıdır.
- \*\* ABD Patent No: 5.451.942; 5.956.674; 5.974.380; 5.978.762; 6.487.535 lisansı ile ve diğer ABD'de ve dünya çapında yayınlanmış ve bekleyen patentlerle üretilmiştir. DTS ve Simge, DTS, Inc. şirketinin tescilli ticari markalarıdır ve DTS Digital Surround ve DTS logoları DTS, Inc. şirketinin ticari markalarıdır. Ürün yazılım içerir. © DTS, Inc. Tüm Hakları Saklıdır.

Bu TV Sehpası High-Definition Multimedia Interface (HDMI™) teknolojisine sahiptir.

HDMI, HDMI Logosu ve High-Definition Multimedia Interface, ABD ve diğer ülkelerde HDMI Licensing LLC şirketinin ticari markaları veya tescilli ticari markalarıdır.

“BRAVIA”, Sony Corporation'ın tescilli ticari markasıdır.



Uygunluk beyanı, üretici firmanın yetkili kılınmış olduğu, Product Compliance Europe (PCE) Sony Deutschland GmbH tarafından yapılmaktadır.

Product Compliance Europe (PCE),  
Sony Deutschland GmbH  
Hedelfinger Strasse 61, 70327 Stuttgart, Germany  
Tel: (0)711-5858-0,  
Fax: (0)711-5858-488  
URL of EU DoC Database:  
<http://www.compliance.sony.de/>

Üretici Firma:

## Sony Corporation

1-7-1 Konan, Minato-ku, Tokyo  
108-0075 Japan

Türkiye İrtibat Numaraları:  
Tel: 0216-633 98 00  
Faks: 0216-632 70 30  
e-mail: bilgi@eu.sony.com

**EEE Yönetmeliğine Uygundur**  
**PCB içermez**

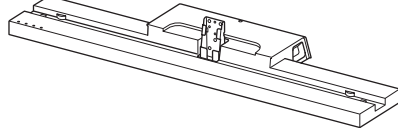
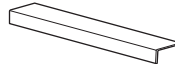
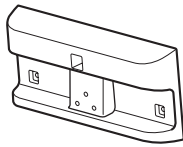


İTHALATÇI FİRMA  
**SONY**<sup>®</sup>  
SONY EURASIA PAZARLAMA AŞ.

Onur Ofis Park Plaza İnkılap Mah. Üntel Sok.  
No:10 Ümraniye 34768/İstanbul  
Sony Bilgi ve Danışma Hattı: (212) 444 SONY (7669)

### TV Sehpasının kartondan çıkartılmasıyla ilgili not

TV Sehpasını sıkıca tutmaya ve dikkatle kullanmaya dikkat edin.

## Adım 1: Parçaların kontrolü

Adı	Miktarı
Sehpa 	1
Arka Kapak* 	2
Mafsal 	1
TV Sehpa Boyun Bağlantı Parçası Vidası (PSW5 × 16) siyah (× 3) Mafsal Vidası (PSW5 × 16) siyah (× 3) 	6
AC adaptörü	
AC güç kablosu	
Yüksek Hızlı HDMI kablosu	1
Kablo tutucu 	1
Kullanım kılavuzu	1
Garanti belgesi	

\* Sadece SU-B550S modeli için.

### UYARI

AC güç kablosunun ürünün altında veya ürünün parçaları altında ezilmesine izin verirsiniz, kısa devreye veya elektrik çarpmasına yol açabilirsiniz. AC güç kablosuna veya bağlantı kablolarına takılırsanız, TV Sehpa düşebilir ve yaralanmalara sebep olabilir.

### Montaj konumuna karar verin ve TV'yi monte etmeden önce TV Sehpasını yere koyun.

TV ağır olduğu için, montaj yerine önceden karar vermeniz ve TV Sehpasını yerinde birleştirmeniz önerilir.

Masa Üstü Sehpa'nın televizyondan nasıl çıkartılacağına dair bilgiler için televizyonunuzla birlikte verilen talimatlara başvurun.

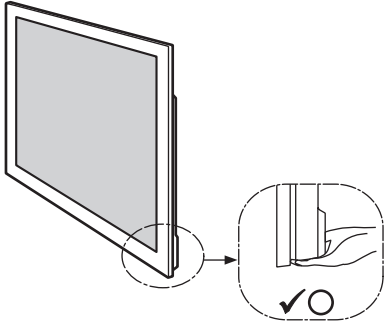
## Adım 2: TV'nin monte edilmesi

### Birleştirmeden önce

- Birleştirmeden önce vidalar için uygun bir yıldız uçlu tornavidayı hazır bulundurun.
- Elektrikli bir tornavida kullanmanız halinde, sıkma torkunu yaklaşık 1,5 N·m {15 kgf·cm} değerine ayarlayın.

### 1 TV'yi taşıırken TV'yi belirtilen noktadan tutun.

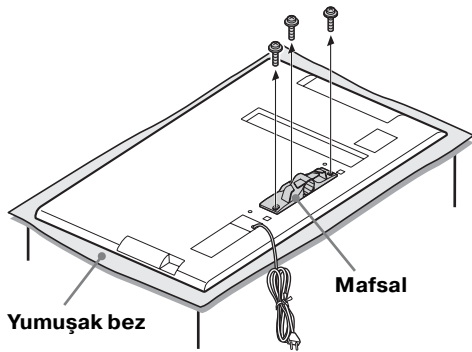
TV'yi aşağıda gösterildiği gibi tutmaya dikkat edin:



- TV'yi elle taşıırken yukarıda gösterildiği gibi tutun. LCD panele ve ekranın etrafındaki koruma çerçevesine baskı uygulamayın.

### 2 TV'nin arkasındaki Mafsaldan vidaları sökün.

Ayırmak üzere Mafsalı aşağıya doğru kaydırın.



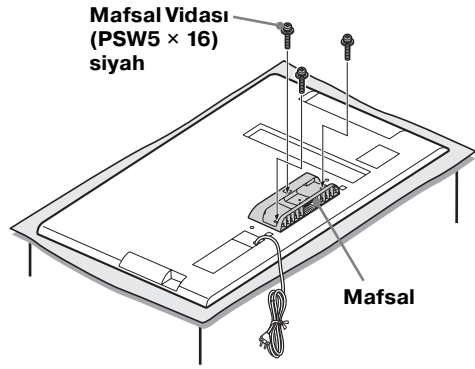
- Söktüğünüz vidaları kaybetmeyin.
- Masa Üstü Sehpa'sını Ekrandan ayırırken, Ekranı Ekrandan daha büyük, sağlam bir çalışma yüzeyinin üzerine yerleştirin.
- LCD ekranın zarar görmesini önlemek için, çalışma yüzeyinin üzerine bir yumuşak bez yerleştirin.

### DİKKAT

- Ekranın üzerine baskı veya darbe uygulanırsa, LCD ekran kırılabilir veya zarar görebilir.
- Ekranı, Masa Üstü Sehpa'sı yüzeyin kenarından sarkacak biçimde yüz üstü olarak sağlam ve düz bir yüzeyin üzerine yerleştirin.  
Ekran yüzeyiyle ve Masa Üstü Sehpa'sının tabanı aynı düzlemde olursa, dengesiz bir çalışma koşulu oluşur ve Ekran zarar görebilir.

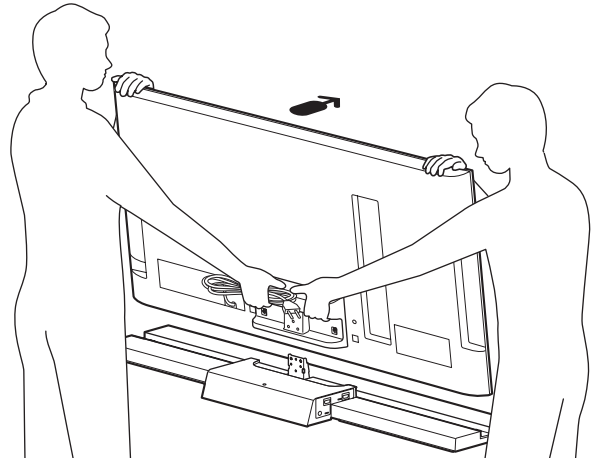
### 3 Birlikte verilen Mafsalı TV'nin arkasına üç siyah vidayla (PSW5 × 16) (ürünle verilir) takın.

Ürünle verilen Mafsalı yukarıya doğru kaydırın.



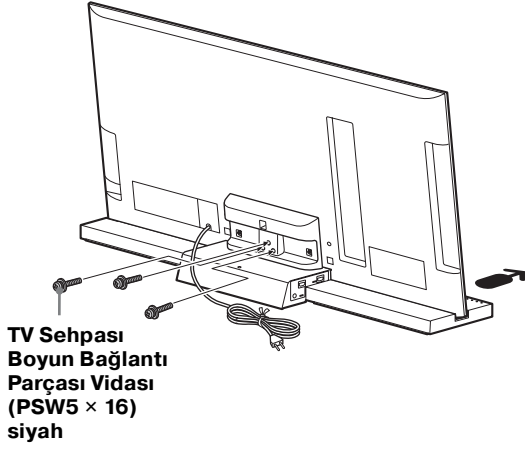
### 4 TV'yi TV Sehpa'sına monte edin.

Televizyon, Televizyon Sehpa'sının yuvasına yerleştirilerek monte edilir.

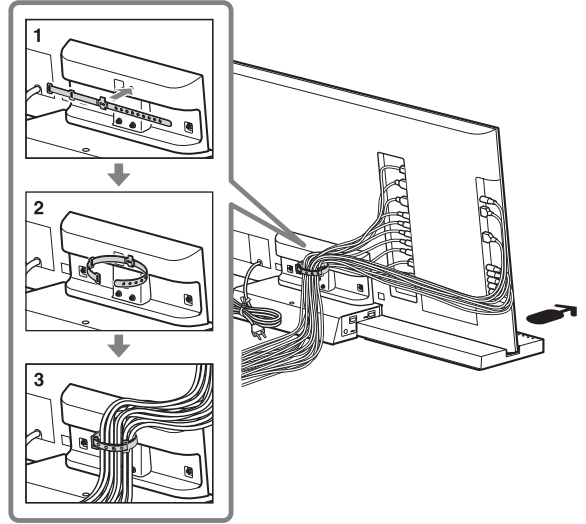


← Ok yönü TV Sehpa'sının önünü gösterir.

**5** TV'yi ve TV Sehpasını üç adet siyah TV Sehpa Boyun Bağlantı Parçası Vidasıyla (PSW5 × 16) (ürünle verilir) sabitleyin.

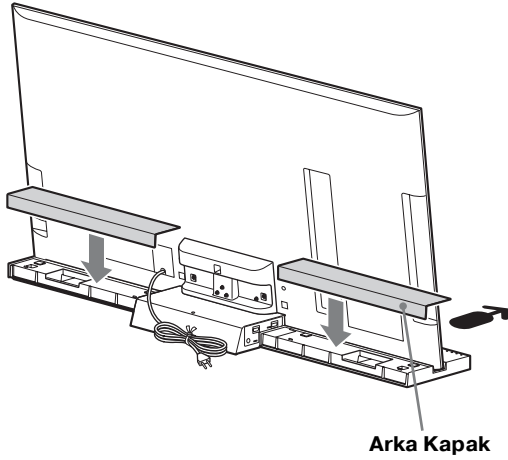


**7** Kabloları toplama.



- AC güç kablosunu diğer kablolarla birlikte toplamayın.

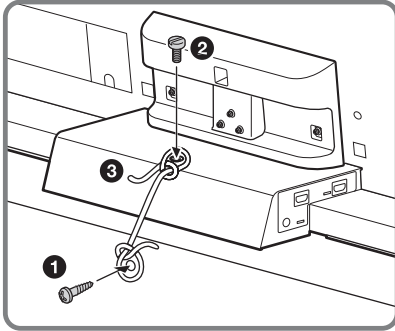
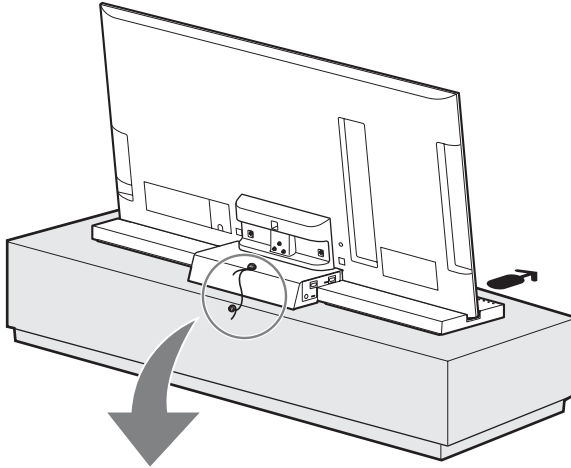
**6** Arka Kapağı TV Sehpasına takın. (Sadece SU-B550S modeli için)



## Adım 3: Devrilmeyi önlemek için güvenlik uyarıları

### UYARI

TV Sehpasının devrilmesini ve de yaralanmalara ve maddi hasara yol açmasını önlemek üzere önlemler aldığınızdan emin olun.

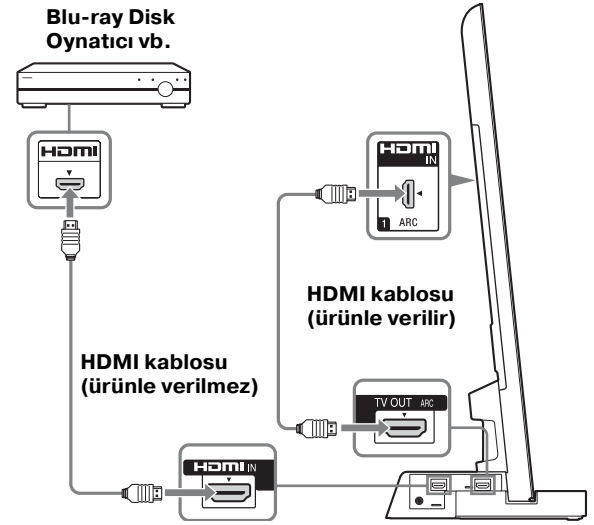


- 1 Bir ahşap vidasını (çapı 4 mm, ürünle verilmez) tahtaya takın.
- 2 Bir metal vidasını (M4 x 16, ürünle verilmez) TV sehpasının vida deliğine takın.
- 3 Ahşap ve metal vidasını, sağlam bir kablo (ürünle verilmez) kullanarak birbirine bağlayın.

## Adım 4: Televizyonu ve oyuncuyu bağlama

### TV'yi bir HDMI soketiyle TV Sehpasına bir HDMI kablosu kullanarak bağlayın.

Sony "BRAVIA" Sync uyumlu cihazları HDMI kabloları kullanarak bağlarsanız, TV için HDMI Kontrolü fonksiyonunu ayarladığınızda çalıştırmak kolaylaşır.



- TV Sehpası Audio Return Channel (ARC) fonksiyonuyla uyumludur. TV Sehpasını ARC uyumlu TV'nin HDMI soketine bir HDMI kablosuyla bağlarsanız, TV'yi TV Sehpasına dijital optik kabloyla bağlamanız gerekmez.
- TV'nin HDMI soketinin yanında "ARC" harfleri varsa, bu TV ARC fonksiyonuyla uyumludur. Sokete bir HDMI kablosu bağlarsanız bile, HDMI giriş soketi ARC fonksiyonuyla uyumlu değilse ARC fonksiyonunu kullanamazsınız.
- ARC fonksiyonu sadece HDMI Kontrolü açık olarak ayarlanmışsa kullanılabilir.



- TV Sehpası kapatılmış olsa bile (aktif bekleme modu), bağlı cihazdan TV'ye HDMI bağlantısı üzerinden HDMI sinyali gönderilir. TV'ye bağlı cihazın görüntü ve sesinin keyfini TV'de sürebilirsiniz.

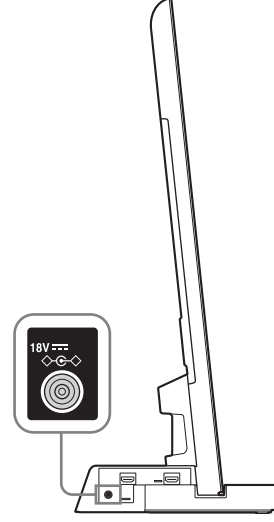
### HDMI bağlantılarıyla ilgili notlar

- Bir Yüksek Hızlı HDMI kablo kullanın. Standart HDMI kablosu kullanırsanız, 1080p, Deep Colour veya 3D görüntüler düzgün görüntülenmeyebilir.
- Bir HDMI sertifikalı kablo kullanmanızı öneririz.
- HDMI kablosuyla bağlı bir cihazdan gelen görüntü kötüyse veya bu cihazın sesi gelmiyorsa, bağlı cihazın kurulumunu kontrol edin.

- Bir HDMI soketinden aktarılan ses sinyalleri (örnekleme frekansı, bit uzunluğu vb.) bağlı cihaz tarafından bastırılabilir.
- Çalma cihazının ses çıkış sinyallerinin örnekleme frekansı veya kanal sayısı değiştirildiğinde sese kesilme olabilir.
- Bağlı cihaz telif hakkı koruma teknolojisiyle (HDCP) uyumlu değilse, HDMI TV OUT soketinden gelen görüntü ve/veya sesin çıkışı gerçekleşmeyebilir. Bu durumda bağlı cihazın teknik özelliklerine bakın.
- Bir HDMI-DVI dönüşüm kablosu kullanmanızı tavsiye etmeyiz.
- Bu sistem Deep Colour, "x.v.Colour" ve 3D aktarımını destekler.

## Adım 5: AC güç kablosunun bağlanması

TV Sehpasının AC güç kablosunu duvar prizine bağlamadan önce, tüm diğer cihazları TV'ye ve TV Sehpasına bağlayın.



- TV Sehpasını kolay erişilir bir AC prize bağlayın. TV Sehpasında bir anormallik fark ederseniz, derhal elektrik fişini AC prizinden ayırın.

## Adım 6: Televizyon ayarlarını yapma

### ❶ “HDMI Kontrolü” fonksiyonunu “Açık” olarak ayarlayın.

Televizyonun uzaktan kumandasındaki HOME düğmesine basın ve menüyü aşağıdaki şekilde seçin;

📁 Ayarlar > 📺 Dış Girişler > HDMI Ayarı > HDMI Kontrolü > Açık

### ❷ “Hoparlörler” ögesini “Ses Sistemi” olarak ayarlayın.

Televizyonun uzaktan kumandasındaki HOME düğmesine basın ve menüyü aşağıdaki şekilde seçin;

📁 Ayarlar > 🔊 Ses > Hoparlörler > Ses Sistemi

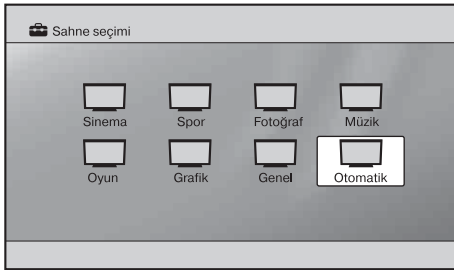


- ❶ ve ❷ işlemleri için ayarları tamamladıktan sonra, **I** (güç) göstergesi yeşil renkte yanar.



### • Sahne Seçimi modu

Bu TV Sehpası TV ses ayarlarıyla otomatik olarak senkronize edilir ve seçilen sahne için tercih ettiğiniz sesi seçmeniz için Sahne Seçimi fonksiyonuyla birlikte çalışır. Sesi değiştirmek için TV ses ayarlarını değiştirin.



Bu modu kullanmadan önce, TV’de aşağıdaki ayarların yapılmış olduğundan emin olun.

## Sorun Giderme

### Ses

Ses yok:

- HDMI kablosu bağlantısını kontrol edin.
- 6. adımdaki “HDMI Kontrolü” ve “Ses Sistemi” ayarlarını kontrol edin (sayfa 10).

Kulaklıkla kullanma:

- “Hoparlörler” ayarında “Ses Sistemi” ögesini “TV Hoparlörü” ayarına getirin.

Televizyon dijital yayınının çift sesini kullanma:

- Yayına bağlı olarak ses değiştirilemeyebilir. Televizyonun “Optik Çıkış” ayarını “Otomatik” seçeneğinden “PCM” seçeneğine getirin.

Çift ses için dış cihazla kullanma:

- Ses değiştirilemiyorsa, PCM ögesini etkinleştirmek için dış cihazın ses çıkışı ayarını değiştirin.

### Göstergesi

Televizyonun gücünün açık olmasına rağmen,

Televizyon Sehpasının **I** (güç) göstergesi yanmıyor:

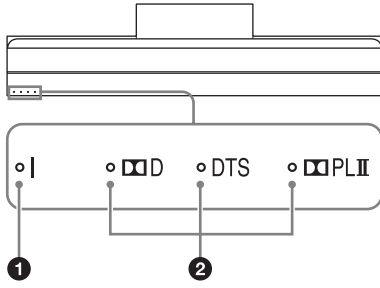
- AC güç kablosunun vb. bağlantısını kontrol edin.
- Müşteri destek hizmetlerine danışın.

**I** (güç) göstergesi kırmızı renkte yanıp sönüyor:

- Bu üründe bir arıza oluşmuş olabilir. LED’in kaç kez yanıp söndüğünü kontrol edin ve Sony servis merkezine danışın.



# Gösterge



## 1 I (güç) göstergesi

Aşağıdaki şekilde yanar:

Yeşil: Televizyon Sehpasının gücü açıktır.  
("Hoparlörler" için "Ses Sistemi"  
seçilmiştir.)

Kapalı: Televizyon Sehpası bekleme modundadır  
veya gücü kapalıdır.

## 2 Ses formatı göstergeleri

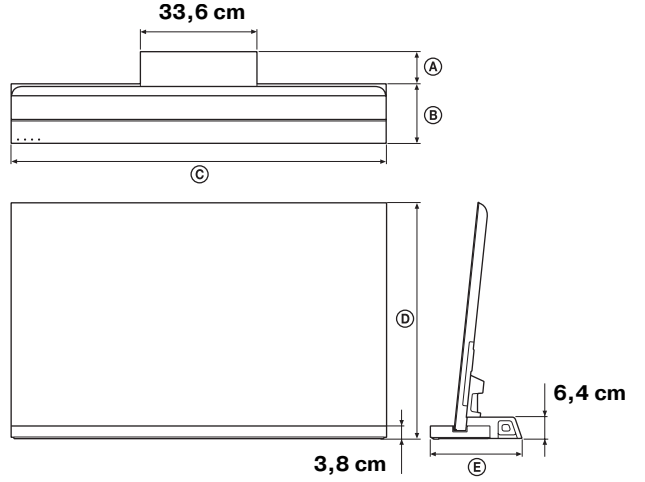
Televizyon Sehpasına girilmekte olan ses  
formatına göre yanar.

□D: Dolby Digital

DTS

□PLII: Dolby Pro Logic II

# Teknik Özellikler



		SU-B550S	SU-B460S	SU-B400S
Boyutlar: cm	(A)	8,1	9,3	10
	(B)	20	17,2	16,1
	(C)	127,6	108,3	94,4
	(D)	79,3	68,4	60,6
	(E)	28,1	26,5	26,1
Sehpanın Ağırlığı:		5,8 kg	5,4 kg	5,1 kg

## Amplifikatör bölümü

Nominal Çıkış Gücü Ön: 10 W + 10 W, (kanal başına)  
12 ohm, 1 kHz, Toplam Armonik  
Bozulma %1'den az  
Subwoofer: 20 W, 6 ohm, 100 Hz,  
Toplam Armonik Bozulma %1'den  
az

## HDMI bölümü

Konektör HDMI™ konektörü  
Video girişleri/  
çıkışları 640 × 480p@60 Hz  
720 × 480p@59,94/60 Hz  
1280 × 720p@59,94/60 Hz  
1920 × 1080i@59,94/60 Hz  
1920 × 1080p@59,94/60 Hz  
720 × 576p@50 Hz  
1280 × 720p@50 Hz  
1920 × 1080i@50 Hz  
1920 × 1080p@50 Hz  
1920 × 1080p@24 Hz  
Deep Colour: 30bit/36bit

(Devamı)

11 (TR)

Video girişleri/ çıkışları (3D)	1280 × 720p@59,94/60 Hz Çerçeve paketleme 1920 × 1080i@59,94/60 Hz Çerçeve paketleme 1920 × 1080i@59,94/60 Hz Yan yana (Yarım) 1920 × 1080p@59,94/60 Hz Yan yana (Yarım) 1280 × 720p@50 Hz Çerçeve paketleme 1920 × 1080i@50 Hz Çerçeve paketleme 1920 × 1080i@50 Hz Yan yana (Yarım) 1920 × 1080p@50 Hz Yan yana (Yarım) 1920 × 1080p@24 Hz Çerçeve paketleme
Ses girişleri	Deep Colour: 30bit/36bit Doğrusal PCM 7.1 kanal/ Dolby Digital/DTS

## Hoparlörler

### Ön hoparlör ünitesi

Hoparlör sistemi	2 yollu 3 sürücülü, bas yansıtmalı tipte
Hoparlör ünitesi	Bas hoparlör: 30 × 82 mm koni tipi × 2 Tiz hoparlör: 14 mm kubbe tipi

### Subwoofer ünitesi

Hoparlör sistemi	Subwoofer, bas yansıtmalı tipte
Hoparlör ünitesi	70 mm koni tipi

## Genel

Güç gereksinimleri	100 – 240 V, 50/60 Hz
Güç tüketimi	Açık: 12 W Bekleme: 0,7 W

- Beklemede güç tüketimi: 0,7 W
- Belirli baskılı devrelerde halojenlenmiş alev tutucular kullanılmamıştır.
- S-Master tam dijital amplifikatörle amplifikatör bloğunun güç verimliliğinin %85'ten fazla olması sağlanmıştır.

Tasarım ve özelliklerde bilgi vermeksizin değişiklik yapılabilir.



# A biztonságról

**Köszönjük, hogy ezt a készüléket vásárolta meg. A Sony termékeinek tervezése a biztonság szem előtt tartásával történik. A helytelen használat súlyos égési sérülést, áramütést okozhat, a termék feldőlhet vagy leeshet. Az ilyen balesetek elkerülése érdekében tartsa be a biztonsági előírásokat.**

Ez az útmutató a termék helyes kezelését, illetve a fontos balesetvédelmi intézkedéseket mutatja be. Alaposan olvassa el ezt az útmutatót és használja megfelelően a terméket. A későbbi használat céljára őrizze meg ezt az útmutatót.

Ezt a terméket a Sony Corporation (108-0075 Japán, Tokió, 1-7-1 Konan, Minato-ku) gyártotta. A termékbiztonsággal és az EMC irányelvekkel kapcsolatban a Sony Deutschland GmbH (Németország, 70327 Stuttgart, Hedelfinger Strasse 61.) a jogosult képviselő. Kérjük, bármely szervizeléssel vagy garanciával kapcsolatos ügyben, a különálló szerviz- vagy garanciadokumentumokban megadott címekhez forduljon.

# VIGYÁZAT

## Meghatározott termékek

Ez az állvány a következőkben megadott Sony készülékekhez használható. A megadott készülékektől eltérő készüléket ne erősítsen az állványra.

A következő termékek értesítés nélkül módosulhatnak, elfogyhatnak a raktárról vagy a gyártásuk megszűnhet. Ezen kívül, bizonyos modellek csak bizonyos régiókban kaphatók.

	Színes LCD TV
SU-B550S	KDL-55NX81□*
SU-B460S	KDL-46NX71□*
SU-B400S	KDL-40NX71□*

(2010 augusztustól)

\* Az adott típusnévben szereplő „□” a típusra jellemző számot és/vagy karaktert jelöl.

## Az azonosító címke helye

A típuszám címkéje a TV -állvány hátulján található.

## A TV-állvány hulladékkezelése



**Feleslegessé vált elektromos és elektronikus készülékek hulladékként való eltávolítása (Használható az Európai Unió és egyéb európai országok szelektív hulladékgyűjtési rendszereiben)**

Ez a szimbólum a készüléken vagy a csomagolásán azt jelzi, hogy a terméket ne kezelje háztartási hulladékként. Kérjük, hogy az elektromos és elektronikai hulladék gyűjtésére kijelölt gyűjtőhelyen adja le. A feleslegessé vált termékének helyes kezelésével segít megelőzni a környezet és az emberi egészség károsodását, mely bekövetkezhetne, ha nem követi a hulladékkezelés helyes módját. Az anyagok újrahasznosítása segít a természeti erőforrások megőrzésében. A termék újrahasznosítása érdekében további információért forduljon a lakhelyén az illetékesekhez, a helyi hulladékgyűjtő szolgáltatóhoz vagy ahhoz az üzlethez, ahol a terméket megvásárolta.

# FIGYELEM

**A következő biztonsági előírások be nem tartása súlyos égési sérülést, halált, áramütést okozhat, vagy a termék feldőlhet.**

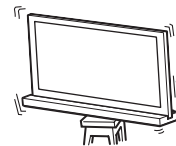
## Ne feledkezzen meg a TV előrebukásának megakadályozásáról.

Ellenkező esetben a TV-készülék előrebukhat és személyi sérülést okozhat.

Az előrebukás megakadályozása céljából rögzítse a TV-állványt és a polcot stb.

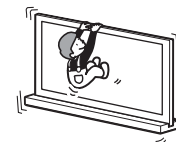
## A TV-állványt stabil felületen állítsa fel.

Ha a TV-állványt nem stabil felületen állítja fel, akkor elvesztheti az egyensúlyát és előrebukhat vagy leeshet. Ez személyi sérülést vagy anyagi kárt okozhat.



## Ne támaszkodjon az állványra szerelt TV-készülékre és ne kapaszkodjon bele.

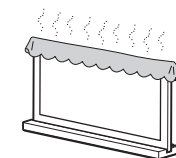
A TV-állvány eldőlhethet vagy a TV leeshet és súlyos sérülést vagy halált okozhat.



## Ne fedje el a TV-készülék szellőzőnyílásait.

A TV szellőzőnyílásai a TV megbízható működése és túlmelegedés elleni védelme érdekében szükségesek.

- A szellőzőnyílásokat ne takarja el ruhával vagy más anyaggal.
- A szellőzőnyílásokba ne jusson folyadék vagy bármilyen szilárd tárgy.



**Ne tegyen a TV-re folyadékkal töltött tárgyat, például vázát, vagy cserepes növényt.**

**A hálózati feszültségről működő TV-t ne használja víz közelében, például fürdőkád, mosdótál, mosogató, mosódézsza, nedves padló, úszómedence stb. közelében.**

**A TV-t ne állítsa fel szélsőséges hőmérsékletnek, például közvetlen napsütésnek kitett helyen, fűtőkészülék vagy meleglevegő-befúvó közelében.**

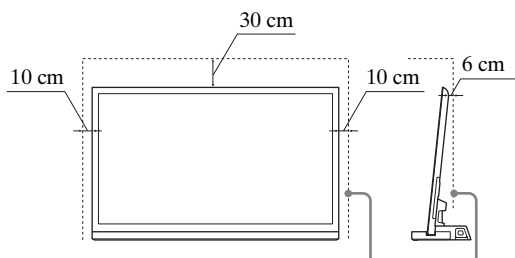
Ilyen esetben a TV túlmelegedhet, a burkolata deformálódhat és/vagy a TV meghibásodhat.

**A TV-t ne állítsa a légkondicionáló légáramlásának útjába.**

A belsejében pára csapódhat le és a TV elromolhat.

**A megfelelő szellőzés érdekében hagyjon elegendő helyet a TV-készülék körül.**

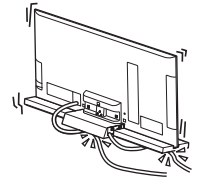
A TV körül hagyjon elegendő helyet, az alábbi ábra szerint.



Legalább ennyi helyet hagyjon a készülék körül.

## Hálózati kábel

- Csak a Sony által mellékelte hálózati kábelt használja, kérjük, más típust ne használjon.
- A TV-készülék TV-állványra szereléskor ügyeljen arra, hogy a hálózati kábel vagy a csatlakozókábelek ne csipődjenek be. Ha a hálózati kábel vagy a csatlakozókábel megsérül, az tüzet vagy áramütést okozhat.
- A TV-állvány szállítása közben ne lépjen a hálózati kábelre vagy az összekötő kábelekre. A hálózati kábel vagy a csatlakozókábel megsérülhet, ez pedig tüzet vagy áramütést okozhat.
- Ha megbotlik a hálózati kábelben vagy az összekötő kábelekben, a TV-állvány feldőlhet és sérülést okozhat.
- Ha a hálózati kábelt kihúzza a hálózati fal csatlakozóból, ezzel teljesen áramtalanítja a TV-állványt.



## FIGYELMEZTETÉS A HÁLÓZATI ÁRAMFORRÁSRA VONATKOZÓAN

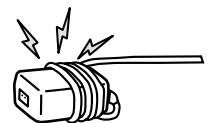
### Figyelem!

A tűz vagy áramütés megelőzése érdekében a készüléket ne érje eső vagy nedvesség.

A tűz vagy áramütés megelőzése érdekében ne tegyen a készülékre folyadékkal telt tárgyat, pl. vázát.

A készüléket ne üzemeltesse zárt helyen, pl. könyvszekrényben stb.

- A készüléket egy könnyen elérhető hálózati aljzat közelébe helyezze.
- A mellékelte hálózati áramforrást és hálózati csatlakozóvezetékét használja.
- Ne használjon más hálózati áramforrást. Ez hibás működést okozhat.
- A hálózati áramforrást könnyen elérhető hálózati csatlakozóra csatlakoztassa.
- A hálózati csatlakozóvezetékét ne csavarja a hálózati áramforrás köré. A belső vezető elszakadhat és a készülék hibás működését okozhatja.
- Ne érintse nedves kézzel a hálózati áramforrást.
- Ha a hálózati áramforrás működésében rendellenességet tapasztal, azonnal csatlakoztassa le a hálózati feszültségről.
- A készülék addig nincs áramtalanítva, amíg a hálózati csatlakozóra csatlakozik, akkor sem, ha magát a készüléket kikapcsolta.



## VIGYÁZAT

Az alábbi biztonsági előírások be nem tartása személyi sérülést vagy anyagi kárt okozhat!

### Csak a megadott készüléket erősítse fel.

Ez a TV-állvány csak a megadott készülékekhez használható. Más készülék felerősítése esetén a készülék leeshet, eltörhet és személyi sérülést okozhat. Egyéb megjegyzés hiányában az ebben a kézikönyvben szereplő ábrák a KDL-46NX71□ készülékre vonatkoznak.

### Ügyeljen a TV rögzítésére.

A TV-készüléket a mellékelt csavarokkal rögzítse a TV-állványhoz. Ha a TV rögzítése nem biztonságos, akkor leeshet vagy a TV-állvány felborulhat és sérülést okozhat.

### A felállítással kapcsolatos megjegyzések

A TV-állványt úgy állítsa fel, hogy ne legyen ferde és semmilyen irányban se dőljön. Ennek érdekében tartsa be a következő előírásokat.

Ha a TV-állványt puha felületen, pl. matracon vagy szőnyegen állítja fel, akkor először fektessen egy deszkalapot a kívánt felületre.

- A TV-állványt ne állítsa fel közvetlen napsütésnek kitett helyen vagy fűtőkészülék közelében.
- A TV-állványt ne állítsa fel forró vagy páras helyen vagy kültéren.

### Használattal kapcsolatos megjegyzés

#### Tisztítás

A TV-állványt időnként puha, száraz kendővel letörölve tartsa tisztán. A makacs szennyeződést enyhe mosószerszeggel megnedvesített puha kendővel lehet eltávolítani. Ezután száraz, puha kendővel törölje szárazra a felületet. Ne használjon semmilyen vegyszert, pl. higítót vagy benzint, mert ezek megrongálják a TV-állvány felületét.

### A felállítást két vagy több személy végezze.

A TV-készülék TV-állványra szerelését két vagy több személy végezze. Ha egyedül dolgozik, balesetet vagy sérülést szenvedhet.

### Ne módosítsa a TV-állványt.

Leeshet és személyi sérülést okozhat.

### A TV felszerelését biztonságosan, az utasításoknak megfelelően végezze.

Biztonságosan húzza meg a csavarokat. Ha a TV rögzítése nem biztonságos, akkor leeshet és sérülést okozhat.

### A szerelés közben ügyeljen arra, hogy ne sértse meg a kezét vagy az ujjait.

- A TV-állványt ne a nyak-résznél fogva szállítsa.
- A TV felszerelése közben ügyeljen arra, hogy ne sértse meg a kezét vagy az ujjait.

## ÓVINTÉZKEDÉSEK

### Tápfeszültség

- Ha hosszabb ideig nem használja a TV-állványt, csatlakoztassa le a hálózati feszültségről. A hálózati kábelt a csatlakozónál és ne a kábelnél fogva csatlakoztassa le.
- A hálózati kábelt csak a hivatalos szakszervizben cserélhetik ki.

### Használat

A külső készülékek csatlakoztatása előtt kapcsolja ki a TV-állványt és csatlakoztassa le a hálózati feszültségről.

### Szerzői jogok

Ez a TV-állvány Dolby\* Digital és Pro Logic Surround, valamint DTS\*\* Digital Surround rendszert tartalmaz.

\* A gyártás a Dolby Laboratories engedélyével történt. A Dolby, a Pro Logic és a kettős D szimbólum a Dolby Laboratories védjegye.

\*\* Gyártva a következő számú USA-szabadalmak alapján: 5 451 942; 5 956 674; 5 974 380; 5 978 762; 6 487 535 és más, az USA-ban és világszerte kiadott és folyamatban lévő szabadalmak. A DTS és a szimbólum a DTS, Inc bejegyzett védjegye, a DTS Digital Surround és a DTS logók a DTS, Inc. védjegyei. A termék szoftvert tartalmaz. © DTS, Inc. Minden jog fenntartva.

A TV-állvány High-Definition Multimedia Interface (HDMI™) technológiát tartalmaz.

A HDMI, a HDMI logó és a High-Definition Multimedia Interface a HDMI Licensing LLC védjegye vagy bejegyzett védjegye az Egyesült Államokban és más országokban.

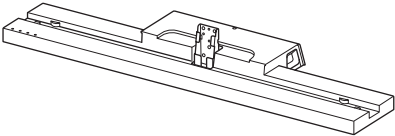

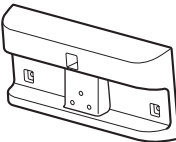

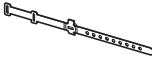
A „BRAVIA” a Sony Corporation védjegye.



### Megjegyzés a TV-állvány kicsomagolásához

Erősen fogja és óvatosan kezelje a TV-állványt.

## 1. lépés: Az alkatrészek ellenőrzése

Név	Mennyiség
Állvány 	1
Hátsó fedél* 	2
Állványrögzítő 	1
TV-állvány nyakát rögzítő csavar (PSW5 × 16) fekete (× 3) Állványrögzítő csavarja (PSW5 × 16) fekete (× 3) 	6
Hálózati adapter	
Hálózati kábel	
Nagy sebességű (High Speed) HDMI-kábel	1
Kábeltartó 	1
Használati útmutató	1
Jótállási kártya	

\* Csak SU-B550S modell esetén.

### FIGYELEM

Ha a hálózati kábel a szerkezet alá vagy az alkatrészek között csúszkál, akkor ez rövidzárlatot vagy áramütést okozhat. Ha megbotlik a hálózati kábelben vagy az összekötő kábelben, a TV-állvány feldőlhet és sérülést okozhat.

### A TV felszerelése előtt határozza meg a szerelési helyet és fektesse le a TV-állványt.

Mivel a TV-készülék nehéz, javasoljuk, hogy előre határozza meg a szerelési helyét és a TV-állványt a helyszínen szerelje fel.

Az asztali állvány TV-készülékről való leválasztására vonatkozó előírásokat lásd a TV-készülékhez mellékelt használati útmutatóban.

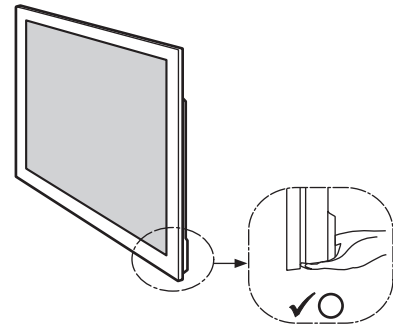
## 2. lépés: A TV felszerelése

### Az összeszerelés előtt

- A szerelés megkezdése előtt készítsen elő olyan keresztornyos (Philips) csavarhúzó, amely illik a csavarokba.
- Elektromos csavarbehajtó használata esetén kb. 1,5 N·m meghúzási nyomatékot kell beállítani.

### 1 A TV-készüléket mozgatás közben a megadott pontokon fogja meg.

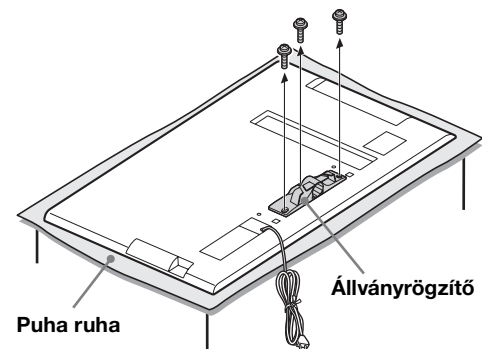
Ügyeljen arra, hogy a TV-készüléket az ábrának megfelelően tartsa:



- Ha kézzel szállítja a TV-készüléket, akkor azt a fenti ábra szerint kell megfogni. Ne nyomja meg az LCD-képernyőt és képernyő körüli keretet.

### 2 A TV hátulján távolítsa el az állványrögzítő csavarjait.

Csúsztassa lefelé és vegye le az állványrögzítőt.



- Órizzze meg az eltávolított csavarokat.
- Ha az asztali állványt le szeretné venni a megjelenítőről, a megjelenítőt képernyőjével lefelé fektesse egy, a megjelenítőnél nagyobb, stabil munkafelületre.
- Az LCD-képernyő felületének védelme érdekében a munkafelületre tegyen puha ruhát.



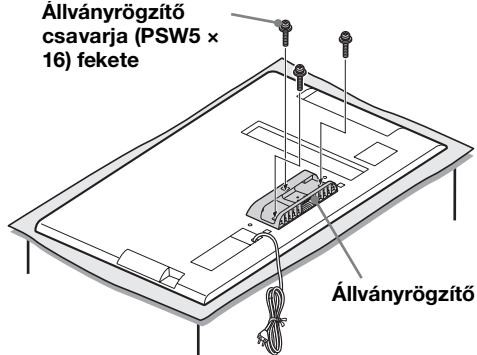
#### VIGYÁZAT

- Ha a képernyőt nyomás vagy ütés éri, akkor eltörhet vagy megrongálódhat.
- A megjelenítőt képernyőjével lefelé helyezze egy stabil és vízszintes felületre úgy, hogy az asztali állvány túlnyúljon a felület szélén.  
Ha a képernyő és az asztali állvány talpa ugyanazon a vízszintes felületen van, akkor a megjelenítő helyzete bizonytalan és ezért megsérülhet.

### 3 A mellékelt állványrögzítőt a három csavarral (PSW5 × 16) fekete (mellékelve) rögzítse a TV hátuljára.

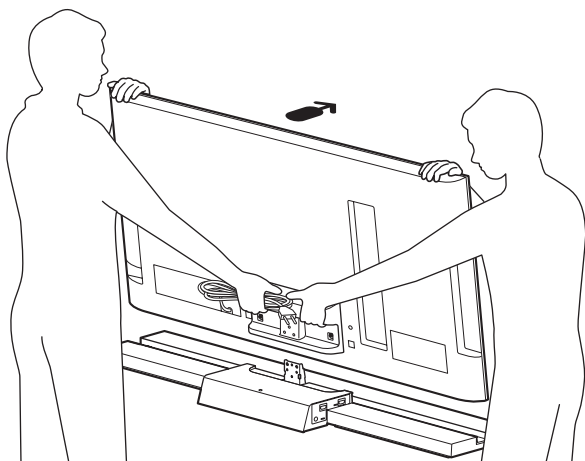
Felfelé csúsztatva csatlakoztassa a (mellékelt) állványrögzítőt.

Állványrögzítő csavarja (PSW5 × 16) fekete



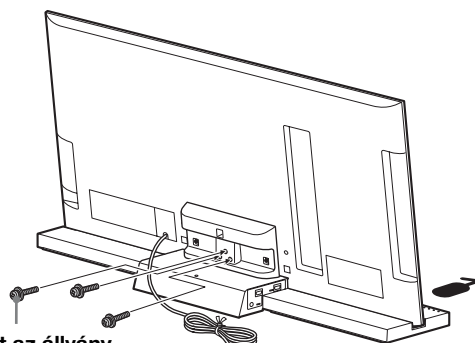
### 4 A TV felszerelése a TV-állványra.

A TV-készüléket a TV-állvány vájzatába kell illeszteni.



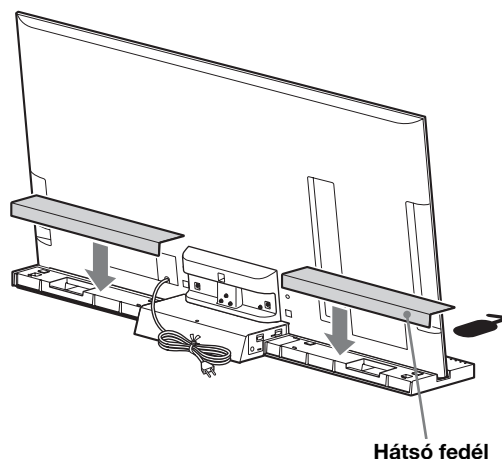
← A nyilak iránya a TV-állvány elejét jelzi.

### 5 A három nyak-rögzítő csavarral (PSW5 × 16) fekete (mellékelve) rögzítse a TV-t a TV-állványhoz.

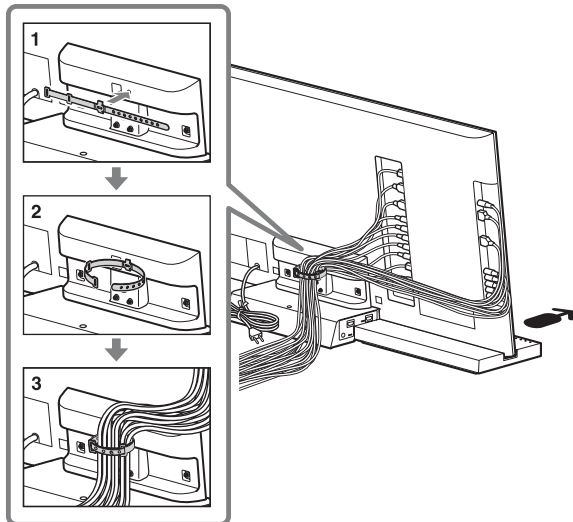


TV-t az állvány nyak-rögzítő csavar (PSW5 × 16) fekete)

### 6 A TV-állványra helyezze fel a hátsó fedelmet. (Csak SU-B550S modell esetén)



## 7 A kábelek összefogása.

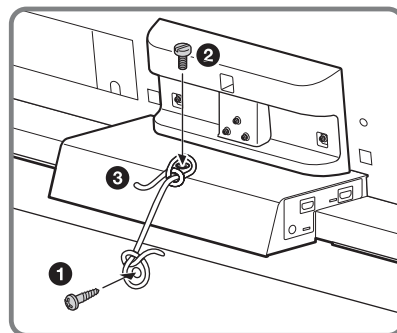
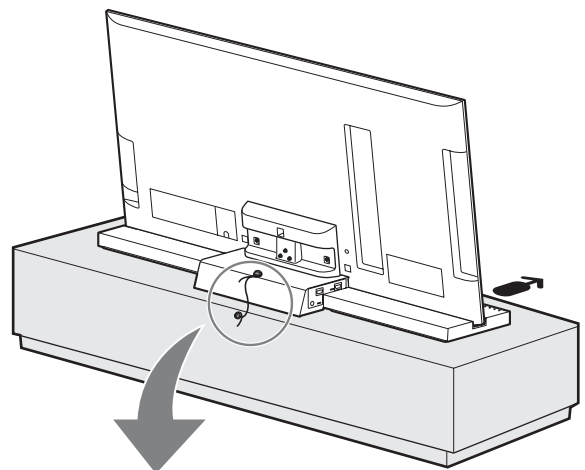


- A hálózati kábelt ne fogja össze a többi kábellemel.

## 3. lépés: A felborulás megelőzése

### FIGYELEM

Ne feledkezzen meg a TV-állvány felborulásának megakadályozásáról, mert ez sérülést vagy anyagi kárt okozhat.

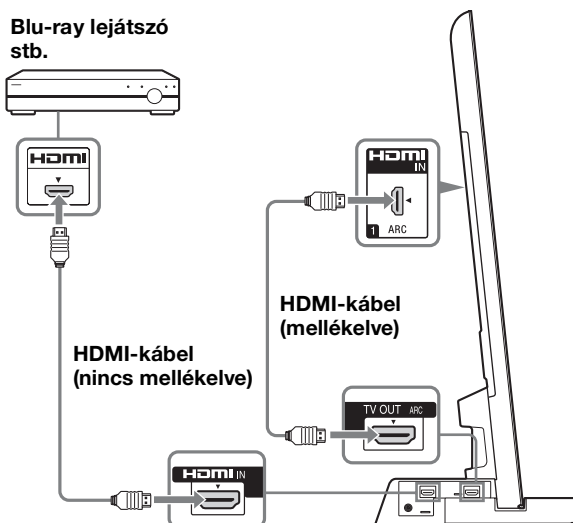


- 1 Csavarozzon be egy facsavart (4 mm átmérőjű, nincs mellékelve) a bútorba.
- 2 Csavarozzon be egy csavart (M4 × 16, nincs mellékelve) a TV-állvány csavarfuratába.
- 3 Kösse össze a facsavart és a csavart egy erős huzallal (nincs mellékelve).

## 4. lépés: A TV és a lejátszó összekötése

### A HDMI-csatlakozóval ellátott TV-készüléket HDMI-kábellel csatlakoztassa a TV-állványhoz.

Ha a Sony „BRAVIA” Sync-kompatibilis készülékeket HDMI-kábellel csatlakoztatja, ezek kezelése egyszerűbbé válik, ha a TV-készüléken beállítja a HDMI-vezérlés funkciót.



- A TV-állvány képes a visszírányú hangcsatorna (Audio Return Channel, ARC) használatára. Ha a TV-állványt HDMI-kábellel ARC-kompatibilis TV-készülék HDMI-csatlakozójára csatlakoztatja, akkor a TV-t nem kell digitális optikai kábellel a TV-állványhoz csatlakoztatni.
- Ha a TV-készülék alkalmas az ARC-funkció használatára, akkor a HDMI-csatlakozója mellett az „ARC” jelölés látható. Ha a csatlakozóra HDMI-kábelt csatlakoztat, de a HDMI-bemenet nem alkalmas az ARC-funkció használatára, akkor a funkció nem használható.
- Az ARC-funkció csak a HDMI-vezérlés bekapcsolt állapotában használható.



- A csatlakoztatott készülék kimeneti HDMI-jele a TV-állvány kikapcsolt állapotában (aktív készenléti állapot) is eljut a TV-készülékre. A csatlakoztatott készülék képét és hangját az TV-készüléken lehet élvezni.

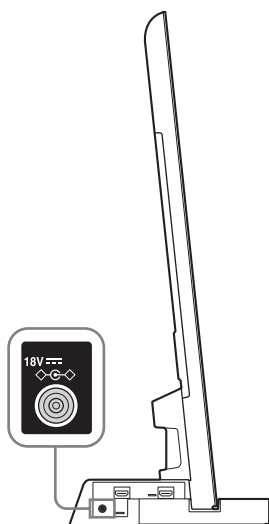
### A HDMI-csatlakoztatással kapcsolatos megjegyzések

- Nagy sebességű (High Speed) HDMI-kábelt használjon. Normál (Standard) HDMI-kábel használata esetén az 1080p, Deep Colour, illetve 3D-kép megjelenítése nem megfelelő lehet.
- Javasoljuk, hogy HDMI-tanúsított kábelt használjon.

- Ha a kép rossz, vagy a HDMI-kábellel csatlakoztatott készülék hangja nem hallható, ellenőrizze a csatlakoztatott készülék beállításait.
- A csatlakoztatott készülék elnyomhatja a HDMI-csatlakozóból érkező hangjeleket (mintavételi frekvencia, bitek száma stb.).
- Ha a lejátszó készülék hangkimenetének mintavételi frekvenciáját vagy a csatornák számát átállítja, a hang megszakadhat.
- Ha a csatlakoztatott készülék nem képes a szerzőjogvédelmi technológia (HDCP) használatára, a HDMI TV OUT csatlakozón torz lehet, vagy meg sem jelenhet a hang és/vagy a kép. Ilyen esetben ellenőrizze a csatlakoztatott készülék műszaki adatait.
- Nem javasoljuk HDMI-DVI átalakító kábel használatát.
- Ez a rendszer a Deep Colour, „x.v.Colour” és 3D átvitelre alkalmas.

## 5. lépés: A hálózati kábel csatlakoztatása

Mielőtt a TV-állvány hálózati kábelét a hálózati fali csatlakozóra csatlakoztatja, a TV-t és az összes külső készüléket csatlakoztassa a TV-állványra.



- A TV-állványt csatlakoztassa egy könnyen elérhető hálózati fali csatlakozóra. Ha a TV-állvány rendellenesen működik, azonnal csatlakoztassa le a hálózati csatlakozóról.

## 6. lépés: A TV beállításai

### 1 Állítsa „Be”-re, ha használni kívánja a „HDMI-vezérlés” funkciót.

A TV távvezérlőjén nyomja meg a HOME gombot és a következők szerint válasszon menüt;

☑ Beállítások > ☑ Külső bemenetek > HDMI beállítás > HDMI-vezérlés > Be

### 2 A „Hangszórók” menüben állítsa be az „Audiorendszer” lehetőséget.

A TV távvezérlőjén nyomja meg a HOME gombot és a következők szerint válasszon menüt;

☑ Beállítások > 🔊 Hang > Hangszórók > Audiorendszer



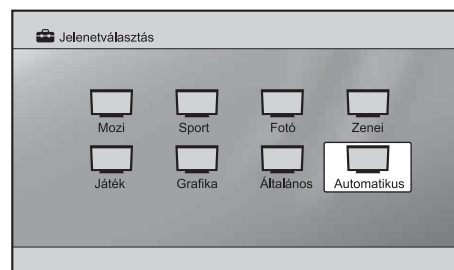
- Az 1 és 2 beállítások befejezése után a I (tápfeszültség) jelzőfény zölden világít.



### • Jelenetválasztás üzemmód

A TV-állvány automatikusan szinkronizálódik a TV hangbeállításaiival, ezért együttműködik a jelenetválasztás funkcióval, amellyel ki lehet jelölni az adott jelenet hangját.

A hang módosításához módosítsa a TV hangbeállításait.



Az üzemmód használata előtt ellenőrizze a TV következő beállításait.

# Hibaelhárítás

## Hang

Nincs hang:

- Ellenőrizze a HDMI-kábel csatlakozását.
- Ellenőrizze a „HDMI-vezérlés” és „Audiorendszer” beállítását a 6. lépésben (10. oldal).

Fejhallgató használata:

- A „Hangszórók” menüpontban az „Audiorendszer” beállítását állítsa át „Tv hangszóró”-ra.

Használat a digitális TV-adások két hangcsatornájával:

- Az adástól függően előfordulhat, hogy a hangot nem lehet átkapcsolni. A TV „Optikai kimenet” beállítását állítsa „Automatikus”-ról „PCM”-re.

Használat két hangcsatornás külső készülékkel:

- Ha a hangot nem lehet átkapcsolni, akkor a külső készülék kimenetének beállítását állítsa PCM-re.

## Jelzőfény

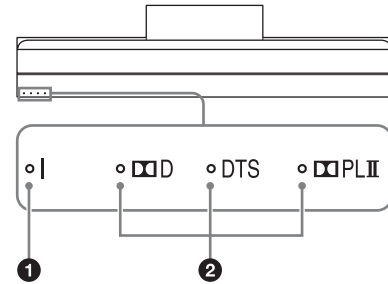
Bár a TV tápfeszültsége be van kapcsolva, a TV-állvány **I** (tápfeszültség) jelzőfénye nem világít:

- Ellenőrizze a hálózati kábel stb. csatlakoztatását.
- Kérje a vevőszolgálat segítségét.

A **I** (tápfeszültség) jelzőfény pirosan villog:

- Lehetséges, hogy a készülékben hiba lépett fel. Jegyezze fel a LED felvillanásainak számát és kérje a Sony szervizközpont segítségét.

# Jelzőfény



## 1 I (tápfeszültség) jelzőfény

Jelentése:

Zöld: a TV-állvány be van kapcsolva.  
(a „Hangszórók” beállítása „Audiorendszer”)

Ki: a TV-állvány készenléti állapotban van vagy ki van kapcsolva.

## 2 Audioformátum jelzőfényei

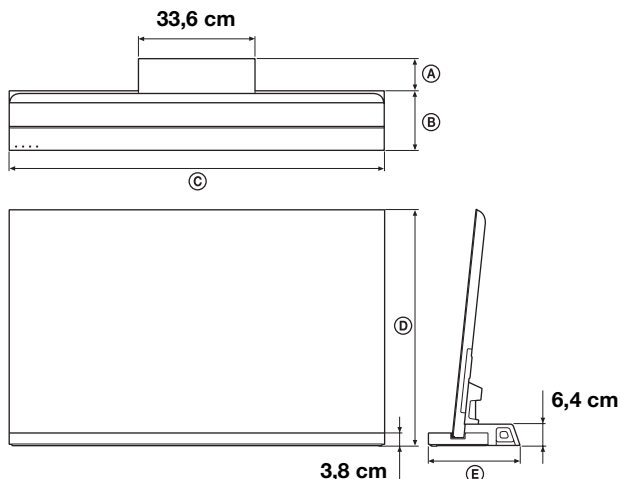
A TV-állvány bemeneti audioformátumának megfelelően világít.

□D: Dolby Digital

DTS

□PLII: Dolby Pro Logic II

# Műszaki adatok



		SU-B550S	SU-B460S	SU-B400S
Méreték: cm	Ⓐ	8,1	9,3	10
	Ⓑ	20	17,2	16,1
	Ⓒ	127,6	108,3	94,4
	Ⓓ	79,3	68,4	60,6
	Ⓔ	28,1	26,5	26,1
Állvány tömege:		5,8 kg	5,4 kg	5,1 kg

## Erősítő

Névleges kimeneti teljesítmény

Elöl: 10 W + 10 W (csatornánként)  
12 Ohm, 1 kHz, THD kisebb mint  
1%

Mélynyomó: 20 W, 6 Ohm, 100 Hz,  
THD kisebb mint 1%

## HDMI

Csatlakozó

Videobemenetek/  
kimenetek

HDMI™ csatlakozó

640 × 480p@60 Hz  
720 × 480p@59,94/60 Hz  
1280 × 720p@59,94/60 Hz  
1920 × 1080i@59,94/60 Hz  
1920 × 1080p@59,94/60 Hz  
720 × 576p@50 Hz  
1280 × 720p@50 Hz  
1920 × 1080i@50 Hz  
1920 × 1080p@50 Hz  
1920 × 1080p@24 Hz  
Deep Colour: 30 bit/36 bit

Videobemenetek/  
kimenetek (3D)

1280 × 720p@59,94/60 Hz  
Frame packing  
1920 × 1080i@59,94/60 Hz  
Frame packing  
1920 × 1080i@59,94/60 Hz  
Side-by-side horizontally (half)  
1920 × 1080p@59,94/60 Hz  
Side-by-side horizontally (half)  
1280 × 720p@50 Hz  
Frame packing  
1920 × 1080i@50 Hz  
Frame packing  
1920 × 1080i@50 Hz  
Side-by-side horizontally (half)  
1920 × 1080p@50 Hz  
Side-by-side horizontally (half)  
1920 × 1080p@24 Hz  
Frame packing  
Deep Colour: 30 bit/36 bit  
Lineáris PCM 7.1csat./  
Dolby Digital/DTS

Audiobemenetek

## Hangszórók

### Első hangfalak

Hangfal felépítése 2-utas, 3-hangszórós, bassz-reflex  
típus

Hangszóró Mély: 30 × 82 mm, kúpos típus ×2  
Magas: 14 mm, dóm típus

### Mélynyomó

Hangfal felépítése Mélynyomó, bassz-reflex típus

Hangszóró 70 mm, kúpos típus

## Általános

Tápellátás 100 – 240 V, 50/60 Hz

Teljesítmény-felvétel

Be: 12 W

Készenlét: 0,7 W

- Készenlételi teljesítmény-felvétel: 0,7 W
- Bizonyos nyomtatott áramköri kártyák halogénezett lánghátító szert nem tartalmaznak.
- A teljesen digitális S-Master erősítővel az erősítő hatásfoka 85 % fölé növelhető.

A kialakítás és a műszaki adatok előzetes értesítés  
nélkül megváltoztathatók.



# Bezpečnost

**Děkujeme Vám, že jste si zakoupili tento výrobek. Produkty Sony jsou navrhovány s ohledem na bezpečnost. Nesprávné použití může způsobit vážná poranění popálením, elektrickým proudem, převrácením nebo pádem produktu. Předcházejte podobným nehodám dodržováním bezpečnostních pravidel.**

Tento návod k obsluze popisuje správné zacházení s výrobkem a důležitá preventivní opatření pro zabránění úrazům. Přečtěte si pozorně tento návod a používejte výrobek správně. Uchovejte návod pro případné další použití.

Výrobce tohoto výrobku je Sony Corporation, 1-7-1 Konan Minatoku Tokyo, 108-0075 Japonsko. Zplnomocněným zástupcem pro požadavky ohledně elektromagnetické kompatibility EMC a bezpečnosti výrobku je Sony Deutschland GmbH, Hedelfinger Strasse 61, 70327 Stuttgart, SRN. Pro záležitosti servisu a záruky se obraťte na adresy uváděné v servisních a záručních dokumentech.

# UPOZORNĚNÍ

## Uvedené produkty

Tento stojan je určen k použití s níže uvedenými produkty značky Sony. Jiné než uvedené produkty na něj neinstalujte.

Následující produkty se mohou změnit bez ohlášení, mohou být vyprodány nebo se přestat vyrábět. Některé modely se také prodávají pouze v některých regionech.

	Barevný LCD televizor
SU-B550S	KDL-55NX81□*
SU-B460S	KDL-46NX71□*
SU-B400S	KDL-40NX71□*

(k srpnu 2010)

\* Symbol „□“ v názvech modelů nahrazuje čísla a/nebo znaky určující konkrétní model.

## Umístění identifikačního štítku

Štítek s číslem modelu je umístěn na zadní straně stojanu.

## Likvidace stojanu televizoru



**Likvidace nepotřebného elektrického a elektronického zařízení (plněné v Evropské unii a dalších evropských státech uplatňujících oddělený systém sběru)**

Tento symbol umístěný na výrobku nebo jeho balení upozorňuje, že by s výrobkem po ukončení jeho životnosti nemělo být nakládáno jako s běžným odpadem z domácnosti. Je nutné ho odvézt do sběrného místa pro recyklaci elektrického a elektronického zařízení. Zajištěním správné likvidace tohoto výrobku pomůžete zabránit případným negativním důsledkům na životní prostředí a

lidské zdraví, které by jinak byly způsobeny nevhodnou likvidací výrobku. Recyklováním materiálů, z nichž je vyroben, pomůžete zachovat přírodní zdroje. Podrobnější informace o recyklaci tohoto výrobku zjistíte u příslušného místního úřadu, podniku pro likvidaci domovního odpadu nebo v obchodě, kde jste výrobek zakoupili.

# VAROVÁNÍ

**Nedodržení následujících bezpečnostních opatření může způsobit vážná poranění popálením, elektrickým proudem, převrácením nebo pádem produktu.**

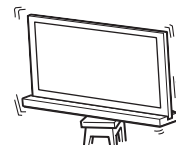
## Ujistěte se, že jste učinili nezbytná opatření k zamezení převrácení stojanu.

Neučiníte-li tak, může dojít k převrácení televizoru a způsobení zranění.

Ukotvěte stojan televizoru a polici apod. pro zamezení převrácení.

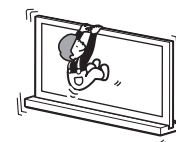
## Ujistěte se, že je stojan televizoru umístěn na stabilním povrchu.

Pokud byste umístili stojan televizoru na nestabilní povrch, může ztratit rovnováhu a převrátit se. Může dojít ke zranění nebo způsobení škody na majetku.



## O televizor, když je instalován na stojanu televizoru, se neopírejte a nezavěšujte se na něj.

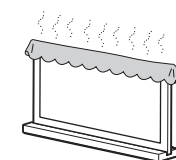
Může dojít k převrácení stojanu televizoru, pádu televizoru a způsobení vážných zranění nebo úmrtí.



## Nezakrývejte ventilační otvory televizoru.

Větrací otvory v televizoru jsou nezbytné pro zajištění spolehlivého fungování televizoru a chrání jej před přehřátím.

- Nezakrývejte větrací otvory ani je nezakrývejte látkami či jinými materiály.
- Nedopusťte, aby do větracích otvorů padaly předměty nebo aby tam natekla kapalina.



## Nepokládejte na televizor předměty naplněné kapalinami, jako je váza nebo květina v květináči.



**Nepoužívejte televizor připojený do elektrické sítě v blízkosti vody, například u vany, umyvadla, kuchyňského dřezu, prostoru na praní, ve vlhkém sklepě nebo v blízkosti bazénu apod.**

**Neinstalujte televizor do míst vystavených extrémním teplotám, například na přímé sluneční světlo, do blízkosti radiátoru či topení.**

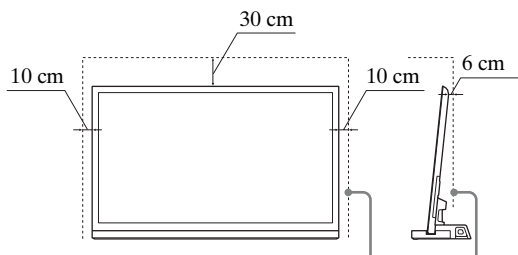
Televizor se v takovém prostředí může přehřát, což by mohlo způsobit deformaci krytu a/nebo poruchu televizoru.

**Neinstalujte televizor do míst vystavených přímé klimatizaci.**

Uvnitř televizoru by mohla kondenzovat vlhkost a způsobit tak jeho poruchu.

**Okolo televizoru ponechte dostatek prostoru, abyste umožnili dostatečnou cirkulaci vzduchu.**

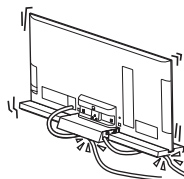
Udělejte dostatek místa okolo televizoru, jak je zobrazeno níže.



Ponechejte v okolí sestavy minimálně tolik místa.

## AC síťový kabel

- Používejte pouze síťové kabely pro střídavý proud dodávané firmou Sony, nikoliv od jiných výrobců.
- Během instalace televizoru na stojan televizoru zamezte přiskřípnutí AC síťového kabelu nebo připojovacího kabelu. Poškozený síťový AC kabel nebo připojovací kabel může způsobit požár nebo elektrický šok.
- Při pohybování stojanem televizoru dbejte na to, abyste nestoupli na AC síťový kabel nebo připojovací kabel. Poškozený síťový AC kabel nebo připojovací kabel může způsobit požár nebo elektrický šok.
- Pokud zakopnete o AC síťový kabel nebo připojovací kabel, může dojít k převrácení stojanu televizoru a ke zranění.
- Když odpojíte AC síťový kabel ze zásuvky, dojde k naprostému přerušování dodávky elektrické energie stojanu televizoru.



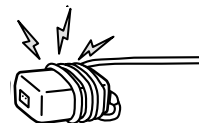
## POZNÁMKY K NAPÁJECÍMU ADAPTÉRU

### Varování

Zařízení nevystavujte dešti a vlhku - předejdete tak riziku požáru nebo úrazu elektrickým proudem. Nedávejte na zařízení nádoby naplněné tekutinami, například vázy. Vyhněte se tak riziku zranění elektrickým proudem.

Zařízení neumísťujte v uzavřených prostorech jako je knižní polička apod.

- Elektrická zásuvka musí být nainstalována v blízkosti zařízení a musí být snadno přístupná.
- Použijte pouze dodaný napájecí kabel a adaptér.
- Nepoužívejte jiný napájecí adaptér. Mohlo by dojít k poruše.
- Zapojte napájecí adaptér do snadno přístupné zásuvky.
- Napájecí kabel neomotávejte okolo napájecího adaptéru. Mohlo by dojít k poškození kabelu a tím pádem i televizoru.
- Nedotýkejte se adaptéru mokřýma rukama.
- Pokud u napájecího adaptéru zaznamenáte neobvyklé jevy, ihned jej odpojte ze zásuvky.
- Pokud je zařízení zapojeno do elektrické zásuvky, není odpojeno od zdroje elektrického proudu, ani když je zařízení vypnuto.



## UPOZORNĚNÍ

V případě nedodržení následujících opatření může dojít k poranění nebo hmotným škodám.

**Neinstalujte žádná zařízení kromě uvedeného produktu.**

Stojan televizoru je určen k použití pouze s uvedenými produkty. V případě instalace nevhodného zařízení může dojít k pádu, poškození nebo poranění. Není-li uvedeno jinak, zachycují ilustrace použité v tomto návodu produkty KDL-46NX71□.

**Ujistěte se, že je televizor zajištěn.**

Zajistěte televizor na stojanu s pomocí dodaných šroubů. Pokud televizor není řádně nainstalován a zajištěn, může dojít následkem převrácení stojanu televizoru ke zranění.

(Pokračování)

---

## Poznámky k instalaci

Neumísťujte stojan televizoru na šikmý nebo nerovný povrch. Řiďte se níže uvedenými pokyny. Před instalací stojanu televizoru na měkkém povrchu (koberci, rohoži apod.) umístěte na určené místo pevnou desku.

- Neinstalujte stojan televizoru na místě vystaveném přímému slunečnímu svitu nebo v blízkosti topení.
- Neinstalujte stojan televizoru na horkém či vlhkém místě nebo mimo budovu.

---

## Poznámky k používání

### Čištění

Čistěte stojan televizoru otřením suchou a měkkou látkou. Těžko odstranitelné skvrny lze odstranit přetřením hadříkem lehce namočeným v mýdlové vodě. Potom sklo osušte suchým hadříkem. Neužívejte k čištění chemikálie, např. ředidlo nebo benzín, mohlo by dojít k poškození povrchu stojanu televizoru.

---

## Dbejte na to, aby instalaci prováděly nejméně dvě osoby.

Ujistěte se, že instalaci televizoru na stojan televizoru provádějí nejméně dvě osoby. Pokud instalaci provádí pouze jedna osoba, může dojít k nehodě nebo zranění.

## Stojan televizoru žádným způsobem neupravujte.

Mohlo by dojít k pádu stojanu a způsobení zranění.

## Ujistěte se, že provádíte instalaci televizoru podle pokynů v příručce.

Utahujte šrouby pevně. Nebude-li instalace provedena bezpečně, může dojít k pádu televizoru a způsobení zranění.

## Provádějte instalaci se zvýšenou opatrností, aby nedošlo k poranění rukou nebo prstů.

- Při přemísťování nedržte stojan televizoru za podpěru.
- Provádějte instalaci televizoru opatrně, aby nedošlo k poranění prstů nebo rukou.

# BEZPEČNOSTNÍ OPATŘENÍ

## O zdrojích elektrické energie

- Pokud nebudete stojan televizoru po delší dobu používat, nezapomeňte stojan vypojit ze zásuvky. Při

odpojování kabelu ze zásuvky uchopte samotnou zástrčku, nikdy netahejte za kabel.

- Výměnu síťového kabelu smí provádět výhradně kvalifikovaný servis.

## O provozu

Před připojováním ostatních komponent musíte stojan televizoru vypnout a odpojit.

---

## Autorská práva

Tento stojan televizoru využívá Dolby\* Digital a Pro Logic Surround a DTS\*\* Digital Surround System.

\* Vyrobeno na základě licence od Dolby Laboratories. Dolby, Pro Logic, a symbol dvojitého D jsou ochranné značky společnosti Dolby Laboratories.

\*\* Vyrobeno na základě licence podle amerických patentů číslo: 5 451 942; 5 956 674; 5 974 380; 5 978 762; 6 487 535 a dalších amerických i světových patentů, ať již vydaných nebo čekajících na schválení. DTS a symbol jsou registrovanými obchodními značkami a loga DTS Digital Surround a DTS jsou obchodními značkami společnosti DTS, Inc. Produkt obsahuje software. © DTS, Inc. Všechna práva vyhrazena.

Tento stojan televizoru využívá technologie High-Definition Multimedia Interface (HDMI™).

HDMI, logo HDMI a High-Definition Multimedia Interface jsou ochrannými značkami nebo registrovanými obchodními značkami HDMI Licensing LLC ve Spojených státech a v ostatních zemích.

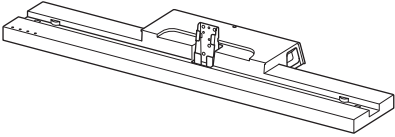
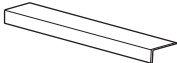
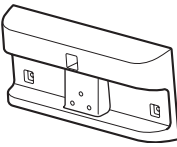


„BRAVIA“ je obchodní značka společnosti Sony Corporation.



**Poznámka pro vybalování stojanu z krabice**

Stojan držte pevně, ale nakládejte s ním velmi opatrně.

## Krok 1: Kontrola součástí

Název	Množství
Stojan 	1
Zadní kryt* 	2
Spojovací element 	1
Šroub pro připojení podpěry k televizoru (PSW5 × 16) černý (3 ks) Šroub pro uchycení spojovacího elementu (PSW5 × 16) černý (3 ks) 	6
AC adaptér	
AC síťový kabel	
Vysokorychlostní HDMI kabel	1
Svorka na kabely 	1
Návod k obsluze	1
Záruční karta	

\* Pouze pro model SU-B550S.

**VAROVÁNÍ**

Pokud dojde k přiskřípnutí AC síťového kabelu pod nebo mezi součásti zařízení, může dojít ke zkratu nebo elektrickému šoku. Pokud zakopnete o AC síťový kabel nebo připojovací kabel, může dojít k převrácení stojanu televizoru a ke zranění.

### Zvolte místo instalace a umístěte stojan televizoru před instalací televizoru.

Díky vysoké hmotnosti televizoru se doporučuje zvolit místo instalace předem a provést sestavení stojanu na zvoleném místě.

Pro informace o odpojení stolního stojanu od televizoru viz návod k použití dodaný k vašemu televizoru.

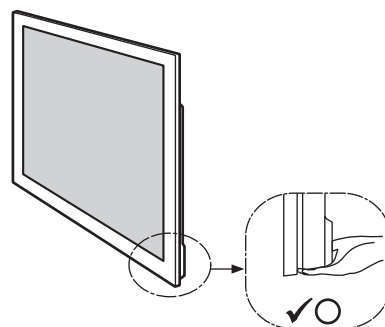
## Krok 2: Instalace televizoru

**Před sestavováním**

- Před sestavováním se ujistěte, že máte k dispozici křížový šroubovák vhodný pro práci s uvedenými šrouby.
- Používáte-li elektrický šroubovák, nastavte utahovací moment na přibližně 1,5 N·m {15 kgf·cm}.

### 1 Při manipulaci s televizorem jej držte za místo k tomu určené.

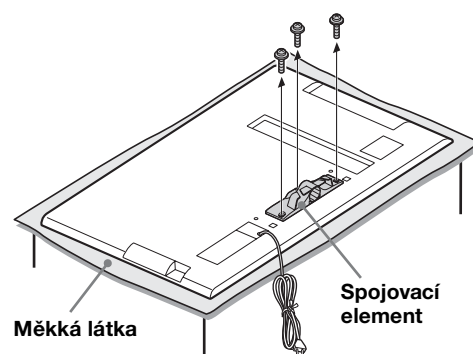
Ujistěte se, že televizor držíte jako na obrázku:



- Při přepravě televizoru v ruce jej držte tak jako na obrázku výše. Nevyvíjejte tlak na LCD panel ani na rám kolem obrazovky.

### 2 Uvolněte šrouby ze spojovacího elementu v zadní části televizoru.

Posunutím spojovací element sejměte.



- Dbejte na to, abyste uvolněné šrouby uschovali.
- Když budete odpojovat stolní stojan od obrazovky, položte televizor obrazovkou dolů na stabilní pracovní povrch o větší ploše, než je plocha obrazovky.
- Abyste zabránili poškození povrchu LCD obrazovky, položte na pracovní povrch měkkou látku.

(Pokračování)

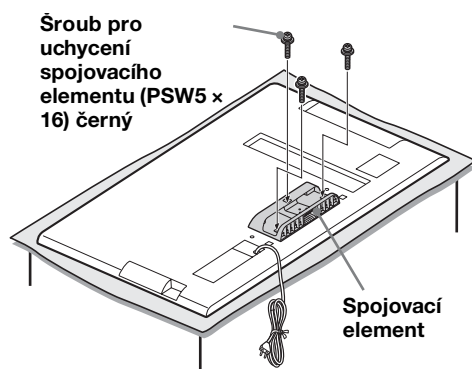
## UPOZORNĚNÍ

- Je-li obrazovka vystavena tlaku nebo úderu, může LCD obrazovka prasknout nebo být poškozena.
- Položte televizor obrazovkou dolů na stabilní a rovný povrch tak, aby stolní stojan přesahoval přes hranu povrchu.

Pokud by byla obrazovka ve stejné úrovni jako základna stolního stojanu, jednalo by se o nestabilní pracovní podmínky a mohlo by dojít k poškození obrazovky.

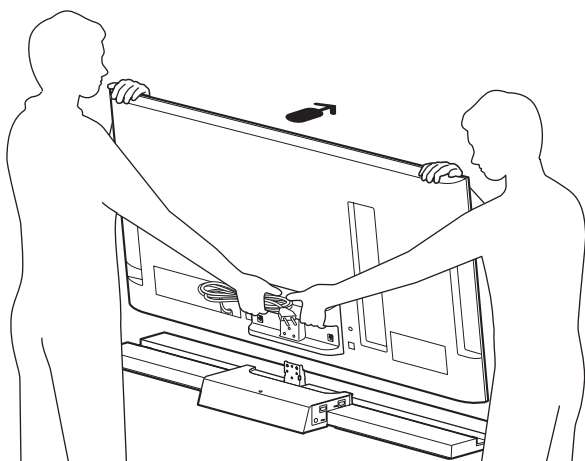
## 3 Dodaný spojovací element připevněte k zadní části televizoru třemi černými šrouby (PSW5 × 16) (součástí dodávky).

Posunutím spojovací element připojte.

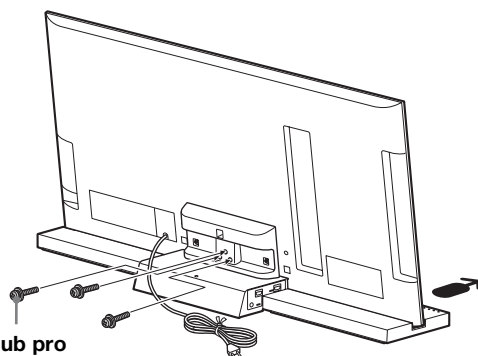


## 4 Nasad'te televizor do stojanu televizoru.

Televizor se upevňuje zasazením do drážky na stojanu televizoru.

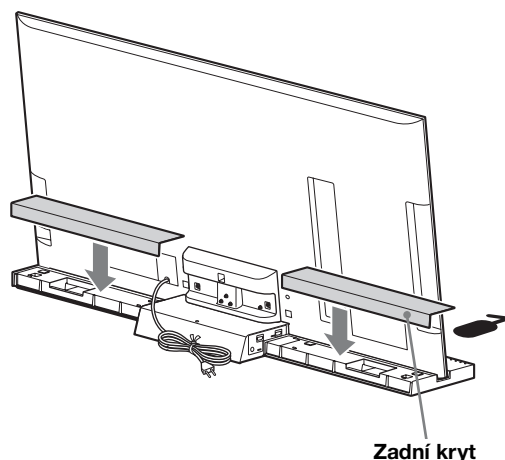


## 5 Upevněte televizor a stojan televizoru pomocí tří černých šroubů pro připojení podpěry k televizoru (PSW5 × 16) (součástí dodávky).

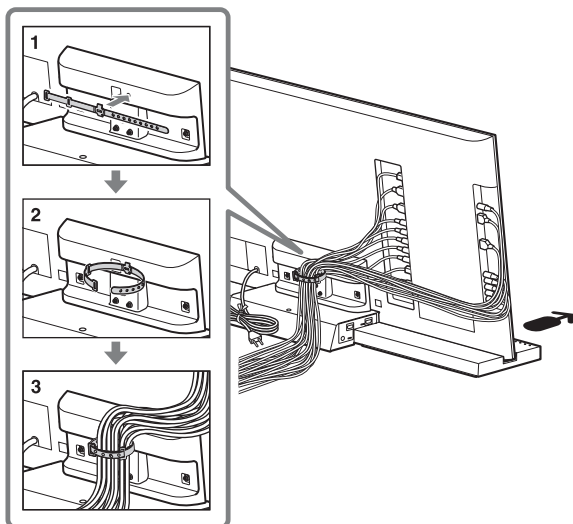


Šroub pro připojení podpěry k televizoru (PSW5 × 16) černý

## 6 Připevněte zadní kryt ke stojanu televizoru. (Pouze pro model SU-B550S)



## 7 Spojování kabelů.

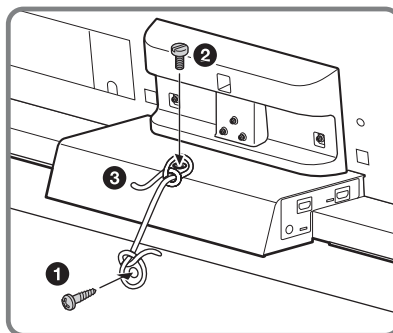
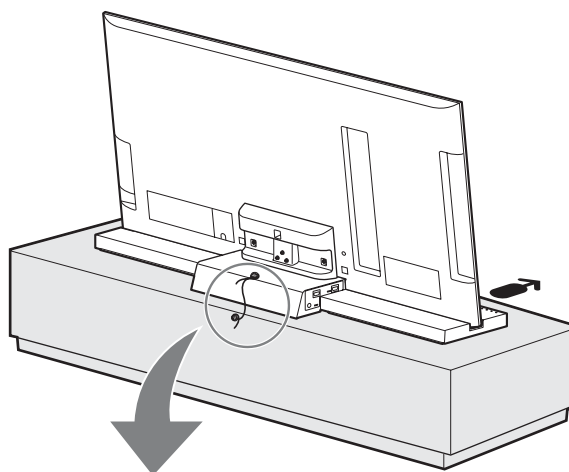


- Nespojujte AC síťový kabel s ostatními kabely.

## Krok 3: Bezpečnostní opatření k zabránění převrácení

### VAROVÁNÍ

Ujistěte se, že jste učinili nezbytná opatření k zamezení převrácení stojanu televizoru a způsobení zranění a škody.



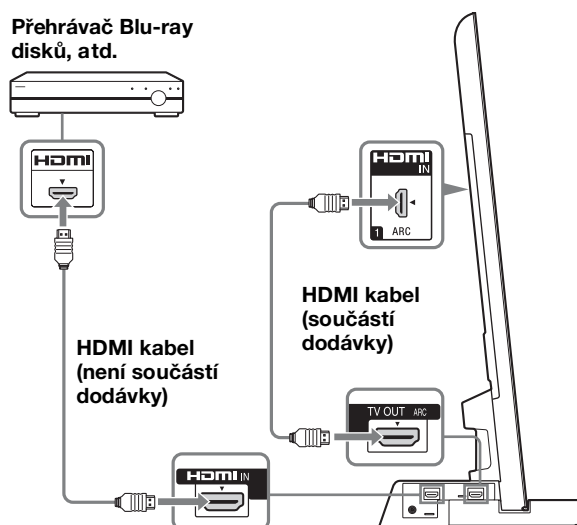
- 1 Do desky zašroubujte vrut do dřeva (průměr 4 mm, není součástí dodávky).
- 2 Do otvoru na šroub stojan televizoru zašroubujte šroub do kovu (M4 × 16, není součástí dodávky).
- 3 Vrut do dřeva a šroub do kovu svažte silnou šňůrou (není součástí dodávky).

## Krok 4: Propojení televizoru a přehrávače

### Připojení televizoru s rozhraním HDMI ke stojanu televizoru pomocí HDMI kabelu.

Připojením komponent kompatibilních se Sony „BRAVIA“ Sync pomocí HDMI kabelů můžete zjednodušit jejich používání, když na televizoru nastavíte funkci Ovládání HDMI.

Přehrávač Blu-ray disků, atd.



- Stojan televizoru je kompatibilní s funkcí Audio Return Channel (ARC). Pokud připojíte stojan televizoru k rozhraní HDMI televizoru kompatibilnímu s ARC pomocí HDMI kabelu, nemusíte připojovat televizor ke stojanu televizoru digitálním optickým kabelem.
- Je-li rozhraní HDMI televizoru kompatibilní s funkcí ARC, uvidíte vedle rozhraní HDMI písmena „ARC“. I když k rozhraní připojíte HDMI kabel, nebudete moci funkci ARC využívat, pokud není rozhraní HDMI kompatibilní s funkcí ARC.
- Funkce ARC je k dispozici pouze tehdy, je-li zapnutá funkce Ovládání HDMI.



- I když je stojan televizoru vypnutý (aktivní pohotovostní režim), bude HDMI signál vysílán z připojené komponenty do televizoru připojením HDMI. Na televizoru si tak můžete užívat obraz a zvuk z komponenty.

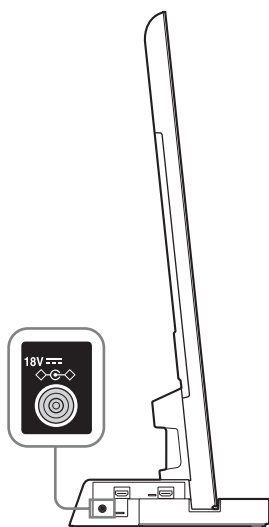
### Poznámky o připojení HDMI

- Používejte vysokorychlostní HDMI kabel. Pokud použijete běžný HDMI kabel, nemusí se obraz 1080p, Deep Colour a 3D zobrazovat správně.
- Doporučujeme vám, abyste použili autorizovaný HDMI kabel.

- Je-li obraz špatný nebo pokud z komponenty připojené HDMI kabelem nevychází zvuk, zkontrolujte nastavení připojené komponenty.
- Audio signály (vzorkovací frekvence, bitová délka apod.) přenášené z rozhraní HDMI mohou být připojenou komponentou potlačeny.
- Zvuk může být přerušen, když dojde k prohození vzorkovací frekvence nebo počtu kanálů signálů audio výstupu z komponenty přehrávající zvuk.
- Pokud není připojená komponenta kompatibilní s technologií pro ochranu autorských práv (HDCP), může být obraz a/nebo zvuk z rozhraní HDMI TV OUT zkreslený, případně žádný.  
V takovém případě zkontrolujte specifikace připojené komponenty.
- Doporučujeme vám, abyste použili redukční kabel HDMI-DVI.
- Tento systém podporuje přenos Deep Colour, „x.v.Colour“ a 3D.

## Krok 5: Připojení AC síťového kabelu

Než připojíte AC síťový kabel stojanu televizoru do zásuvky, připojte ke stojanu televizoru všechny ostatní komponenty a televizor.



- Stojan televizoru zapojte do snadno přístupné zásuvky. Pokud se stojan televizoru začne chovat nezvykle, okamžitě napájecí kabel ze zásuvky vytáhněte.

## Krok 6: Nastavování televizoru

### 1 Nastavte funkci „Ovládání HDMI“ na „Zap“.

Stiskněte tlačítko HOME na dálkovém ovládacím televizoru a následně vyberte nabídku;

Nastavení > Externí vstupy > Nastavení HDMI > Ovládání HDMI > Zap

### 2 V nabídce „Reproduktory“ nastavte „Zvukový systém“.

Stiskněte tlačítko HOME na dálkovém ovládacím televizoru a následně vyberte nabídku;

Nastavení > Zvuk > Reproduktory > Zvukový systém



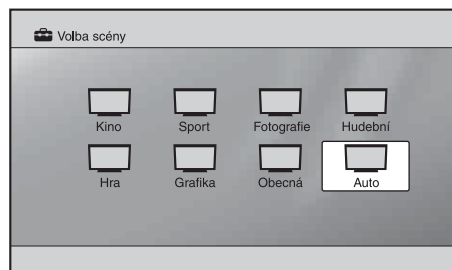
- Po dokončení nastavení pro proces 1 a 2, rozsvítí se indikátor (zapnutí) I zeleně.



### • Režim Volba scény

Tento stojan televizoru je automaticky synchronizován s nastavením zvuku televizoru a spolupracuje s funkcí Volba scény, abyste si mohli pro zvolenou scénu zvolit optimální zvuk.

Abyste zvuk změnili, upravte nastavení zvuku televizoru.



Než použijete tento režim, ujistěte se, že jste na televizi provedli následující nastavení.



## Řešení problémů

### Zvuk

Není zvuk:

- Zkontrolujte připojení HDMI kabelem.
- Zkontrolujte nastavení pro „Ovládání HDMI“ a „Zvukový systém“ v kroku 6 (strana 9).

Používání se sluchátky:

- Přepněte „Zvukový systém“ na „TV reproduktory“ v nastavení „Reproduktory“:

Použití s duálním zvukem digitálního vysílání televizoru:

- V závislosti na vysílání zvuk nelze přepnout. Přepněte nastavení televizoru „Optický výstup“ z „Auto“ na „PCM“:

Použití s externím zařízením pro duální zvuk:

- Pokud nelze přepnout zvuk, aktivujte funkci PCM přepnutím nastavení zvukového výstupu externího zařízení.

### Kontrolka

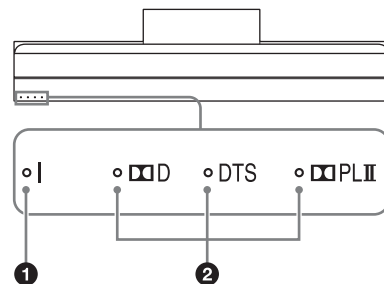
I když je televizor zapnutý, kontrolka **I** (zapnuto) stojanu televizoru se nerozsvítí:

- Zkontrolujte připojení AC síťového kabelu apod.
- Obraťte se na službu zákaznické podpory.

Kontrolka **I** (zapnuto) bliká červeně:

- Možná došlo u produktu k poruše. Zkontrolujte, kolikrát LED kontrolka blikne, a obraťte se na servisní centrum Sony.

## Indikátor



### 1 Kontrolka I (zapnuto)

Svítí následujícím způsobem:

Zeleně: Stojan televizoru je zapnutý. (Funkce „Reproduktory“ je nastavena na „Zvukový systém“.)

Vyp: Stojan televizoru je v pohotovostním režimu nebo vypnutý.

### 2 Kontrolky zvukového formátu

Rozsvítí se podle vstupního zvukového formátu stojanu televizoru.

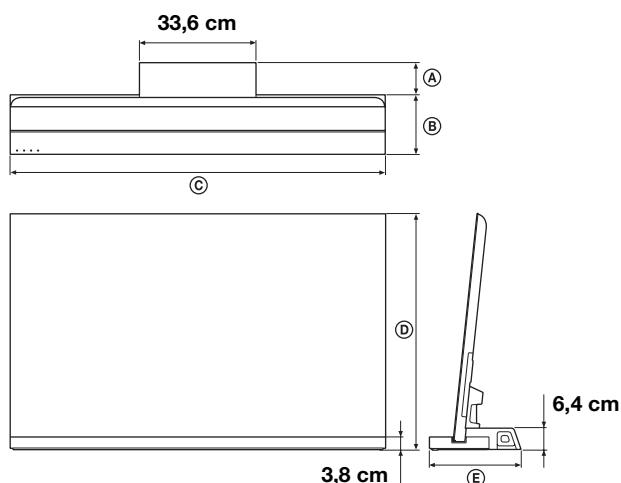
**D**: Dolby Digital

**DTS**

**PLII**: Dolby Pro Logic II



# Specifikace



		SU-B550S	SU-B460S	SU-B400S
Rozměry: cm	Ⓐ	8,1	9,3	10
	Ⓑ	20	17,2	16,1
	Ⓒ	127,6	108,3	94,4
	Ⓓ	79,3	68,4	60,6
	Ⓔ	28,1	26,5	26,1
Hmotnost stojanu:		5,8 kg	5,4 kg	5,1 kg

## Sekce zesilovače

Jmenovitý výkon Přední: 10 W + 10 W, (na kanál)  
12 ohmů, 1 kHz, THD nižší než 1 %  
Subwoofer: 20 W, 6 ohmů, 100 Hz,  
THD nižší než 1 %

## Sekce HDMI

Konektor Konektor HDMI™  
Video vstupy/ 640 × 480p@60 Hz  
výstupy 720 × 480p@59,94/60 Hz  
1280 × 720p@59,94/60 Hz  
1920 × 1080i@59,94/60 Hz  
1920 × 1080p@59,94/60 Hz  
720 × 576p@50 Hz  
1280 × 720p@50 Hz  
1920 × 1080i@50 Hz  
1920 × 1080p@50 Hz  
1920 × 1080p@24 Hz  
Deep Colour: 30bitový/36bitový  
Video vstupy/ 1280 × 720p@59,94/60 Hz  
výstupy (3D) Frame packing  
1920 × 1080i@59,94/60 Hz  
Frame packing

1920 × 1080i@59,94/60 Hz  
Side-by-Side (Poloviční)  
1920 × 1080p@59,94/60 Hz  
Side-by-Side (Poloviční)  
1280 × 720p@50 Hz  
Frame packing  
1920 × 1080i@50 Hz  
Frame packing  
1920 × 1080i@50 Hz  
Side-by-Side (Poloviční)  
1920 × 1080p@50 Hz  
Side-by-Side (Poloviční)  
1920 × 1080p@24 Hz  
Frame packing  
Deep Colour: 30bitový/36bitový  
Lineární PCM 7.1 kanálů/  
Dolby Digital/DTS

Audio vstupy

## Reproduktory

### Jednotka předního reproduktoru

Systém reproduktoru

2pásmový 3dílný, typ Bass reflex

Jednotka reproduktoru

Basový reproduktor: 30 × 82 mm  
kónický typ ×2  
Výškový reproduktor: 14 mm  
klenutý typ

### Jednotka subwooferu

Systém reproduktoru

Subwoofer, typ Bass reflex

Jednotka reproduktoru

70 mm kónický typ

## Obecné

Požadavky na energii

100 – 240 V, 50/60 Hz

Spotřeba energie

Zapnutý: 12 W

Pohotovostní režim: 0,7 W

- Spotřeba energie v pohotovostním režimu: 0,7 W
- U některých desek s tištěnými spoji nejsou použity halogenované zpomalovače hoření.
- Více než 85 % koeficientu účinnosti jednotky zesilovače je dosaženo s využitím plně digitálního zesilovače S-Master.

Vzhled a specifikace podléhají změně bez předchozího upozornění.

# Bezpečnosť

Ďakujeme vám za zakúpenie tohto výrobku. Výrobky od spoločnosti Sony boli navrhnuté s dôrazom na bezpečnosť. Nesprávne použitie môže mať za následok vážne zranenie následkom požiaru, zásahu elektrickým prúdom, prevrhnutia výrobku alebo jeho spadnutia. Aby sa podobným nehodám predišlo, dbajte na dodržiavanie bezpečnostných pokynov.

V tomto návode na používanie je znázornená správna manipulácia s výrobkom a dôležité pokyny, účelom ktorých je predísť nehodám. Tento návod na používanie si dôkladne prečítajte a výrobok používajte správnym spôsobom. Návod si uschovajte pre budúce použitie.

Výrobcom tohoto výrobku je Sony Corporation, 1-7-1 Konan Minato-ku, Tokyo, 108-0075 Japonsko. Autorizovaným zástupcom pre EMC a bezpečnosť výrobku je Sony Deutschland GmbH, Hedelfinger Strasse 61, 70327 Stuttgart, Nemecko. V akýchkoľvek servisných alebo záručných záležitostiach prosím kontaktujte adresy uvedené v separátnych servisných alebo záručných dokumentoch.

# UPOZORNENIE

## Špecifikované výrobky

Tento stojan na televízor je určený na použitie s výrobkami Sony uvedenými nižšie. Neinštalujte na stojan iné výrobky, ako sú uvedené.

Nasledovné produkty podliehajú zmene bez upozornenia, môžu byť vypredané alebo sa už nevyrobajú.

Niektoré modely sa predávajú iba v určitých regiónoch.

	Farebný LCD televízor
SU-B550S	KDL-55NX81□*
SU-B460S	KDL-46NX71□*
SU-B400S	KDL-40NX71□*

(Od augusta 2010)

\* Pri konkrétnych názvoch modelov, symbol „□“ označuje čísla a/alebo znaky špecifické pre konkrétny model.

## Umiestnenie identifikačného štítku

Štítok s číslom modelu sa nachádza na zadnej strane stojana na televízor.

## Likvidácia stojana na televízor



Likvidácia starých elektrických a elektronických prístrojov (vzťahuje sa na Európsku úniu a európske krajiny so systémami oddeleného zberu)

Tento symbol na výrobku alebo na jeho obale znamená, že výrobok nesmie byť spracovávaný ako komunálny odpad. Musí sa odovzdať do príslušnej zberne na recykláciu elektrických a elektronických zariadení.

Zaručením správnej likvidácie tohto výrobku pomôžete pri predchádzaní potenciálnych negatívnych dopadov na životné prostredie a na zdravie človeka, ktoré by mohli byť zapríčinené nevhodným zaobchádzaním s odpadmi z tohto výrobku. Recyklovaním materiálov pomôžete zachovať prírodné zdroje. Podrobnejšie informácie o recyklácii tohto výrobku vám na požiadanie poskytne miestny úrad, služba likvidácie komunálneho odpadu alebo predajňa, v ktorej ste si tento výrobok zakúpili.

# VAROVANIE

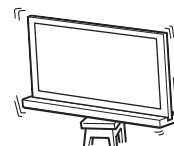
Ak nebudete dodržiavať bezpečnostné pokyny, môže dôjsť k vážnemu zraneniu alebo smrti následkom požiaru, zásahu elektrickým prúdom alebo prevrhnutia výrobku.

## Vykonajte také opatrenia, aby sa predišlo prevrhnutiu stojana na televízor.

Ak to nezabezpečíte, televízor sa môže prevrátiť a spôsobiť zranenie. Stojanu na televízor, poličke atď. zabezpečte stabilitu, aby sa predišlo prevrhnutiu.

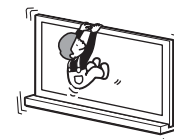
## Stojan na televízor umiestnite na stabilný povrch.

Ak nainštalujete stojan na televízor na nestabilný povrch, môže stratiť rovnováhu a prevrhnúť sa alebo spadnúť. To môže spôsobiť úraz alebo škodu.



## O televízor umiestnený na stojane, ani o stojan na televízor sa neopierajte a nevešajte sa na neho.

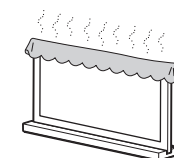
Stojan na televízor sa môže prevrhnúť alebo môže spadnúť televízor a spôsobiť vážny úraz alebo smrť.



## Nezakrývajte vetracie otvory na televízore.

Vetracie otvory na televízore sú dôležité na zaistenie spoľahlivej prevádzky televízora a jeho ochrany pred prehriatím.

- Dávajte pozor, aby ste vetracie otvory neblokovali ich zakrytím, napríklad látkou a inými materiálmi.
- Nikdy nedovoľte, aby sa do vetracích otvorov vyliala kvapalina, alebo aby do nich spadli pevné predmety.



**Na televízor neklad'te predmety naplnené tekutinami, ako napríklad vázy.**

**Televízor napájaný z káblovej elektrickej siete nepoužívajte v blízkosti vody, napríklad blízko vane, umývadla, kuchynskej výlevky, práčovne, ale ani vo vlhkej pivnici alebo pri bazéne.**

**Televízor neumiestňujte na miesta vystavené extrémnym teplotám, ako priame slnečné žiarenie, blízko radiátorov alebo ohrievačov.**

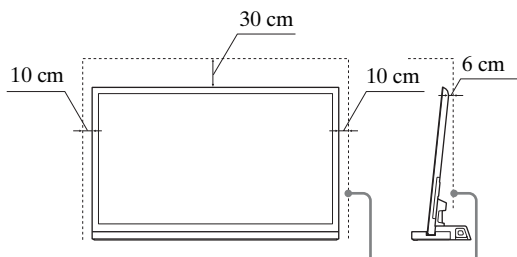
Televízor sa môže v takýchto podmienkach prehriať a následne sa môže deformovať kryt, alebo sa môže vyskytnúť porucha.

**Televízor neumiestňujte na miesta vystavené priamemu pôsobeniu klimatizácie.**

Vnútri televízora môže dôjsť ku kondenzácii, čo môže spôsobiť poruchu.

**Okolo televízora zabezpečte adekvátny priestor na dostatočné vetranie.**

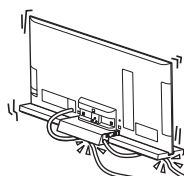
Okolo televízora nechajte dostatok miesta podľa ilustrácie nižšie.



Okolo súpravy nechajte aspoň toľkoto miesta.

## Kábel elektrického napájania

- Používajte iba napájacie káble dodávané spoločnosťou Sony, nie iné značky.
- Pri montáži televízora na stojan na televízor predchádzajte pricviknutiu napájacieho alebo prepájacieho kábla. Ak je napájací alebo prepájací kábel poškodený, môže dôjsť k vzniku požiaru alebo zásahu elektrickým prúdom.
- Pri prenášaní stojana na televízor nestúpajte na napájací ani na prepájací kábel. Napájací alebo prepájací kábel sa môže poškodiť a môže tak dôjsť k vzniku požiaru alebo zásahu elektrickým prúdom.



- V prípade zakopnutia o napájací alebo prepájací kábel môže dôjsť k prevrhnutiu stojana na televízor a k úrazu.
- Vytiahnutím napájacieho kábla z elektrickej zásuvky na stene kompletne odpojte od elektrického napätia aj stojan.

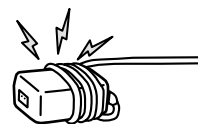
## POZNÁMKA, KTORÁ SA TÝKA SIEŤOVÉHO ADAPTÉRA

### Varovanie

Aby ste znížili riziko požiaru alebo elektrického šoku, nevystavujte toto zariadenie dažďu ani vlhkosti. Aby ste predišli riziku požiaru alebo šoku, neumiestňujte na zariadenie objekty naplnené tekutinami, ako napríklad vázy.

Toto zariadenie neinštalujte v uzavretom priestore, ako je knižnica alebo podobný objekt.

- Uistite sa, prosím, že sieťová zásuvka je nainštalovaná v blízkosti zariadenia a bude ľahko dostupná.
- Uistite sa, že používate dodávaný sieťový adaptér a sieťový kábel.
- Nepoužívajte žiadny iný sieťový adaptér. Môže to spôsobiť nesprávnu činnosť.
- Sieťový adaptér pripojte k ľahko dostupnej sieťovej zásuvke.
- Sieťový kábel neomotávejte okolo sieťového adaptéra. Drôt sa môže zlomiť a/alebo to môže spôsobiť poruchu TV.
- Nedotýkajte sa sieťového adaptéra mokrými rukami.
- Ak si všimnete nejakú abnormalitu na sieťovom adaptéri, okamžite ho odpojte od sieťovej zásuvky.
- Zariadenie sa neodpája od zdroja napájania, pokiaľ je pripojené k sieťovej zásuvke, aj keď ste samotné zariadenie vypili.



## UPOZORNENIE

**Ak nebudete dodržiavať nasledujúce bezpečnostné opatrenia, môže dôjsť k úrazu alebo škode na majetku.**

## Okrem špecifikovaných výrobkov nemontujte žiadne iné zariadenia.

Tento stojan na televízor je určený na použitie iba so špecifikovanými výrobkami. Ak na stojan namontujete iné zariadenie než je špecifikované, môže spadnúť, rozbiť sa alebo spôsobiť úraz. Ilustrácie v tejto príručke znázorňujú model KDL-46NX71□, pokiaľ nie je uvedené inak.

## Televízor nezabudnite zaistiť.

Televízor na stojane na televízor zaistíte pomocou dodaných skrutiek. Ak nie je televízor bezpečne namontovaný, môže spadnúť alebo sa môže stojan na televízor prevrhnúť a spôsobiť tak úraz.

(Pokračovanie)

## Poznámky k montáži

Dávajte pozor, aby stojan na televízor nebol namontovaný našikmo alebo nakrivo. Aby ste tomu zabránili, dodržiavajte nasledujúce bezpečnostné opatrenia.

Ak stojan na televízor umiestňujete na mäkkom povrchu, ako napr. na rohoži alebo koberci, najprv na miesto montáže položte dosku.

- Stojan na televízor neumiestňujte na mieste vystavenom priamemu slnečnému svetlu alebo v blízkosti kúrenia.
- Stojan na televízor neumiestňujte na horúcom či vlhkom mieste alebo vonku.

## Poznámka k používaniu

### Čistenie

Čistotu stojana na televízor udržiavajte občasným utretím suchou mäkkou handričkou. Ťažko odstrániteľné škrvny odstránite utretím handričkou navlhčenou v jemnom saponáte. Nezabudnite potom toto miesto utrieť suchou mäkkou handričkou. Nepoužívajte chemikálie, ako napr. riedidlo alebo benzín, lebo tie povrchovú úpravu stojana na televízor poškodzujú.

## Zaistite, aby montáž vykonávali aspoň dve osoby.

Zaistite, aby umiestňovanie televízora na stojan na televízor vykonávali aspoň dve osoby. Ak montáž vykonáva iba jedna osoba, môže dôjsť k nehode alebo k úrazu.

## Stojan na televízor neupravujte.

Môže spadnúť a spôsobiť úraz.

## Dbajte na to, aby ste televízor umiestnili v súlade s uvedenými pokynmi.

Skrutky bezpečne utiahnite. Ak nie je televízor namontovaný správne, môže dôjsť k jeho prevrhnutiu a následnému úrazu.

## Dávajte pozor, aby ste si pri montáži neporanili ruky alebo prsty.

- Stojan na televízor nepresúvajte držiak ho za stĺpik.
- Dávajte pozor, aby ste si pri montáži televízora neporanili ruky alebo prsty.

## UPOZORNENIA

### Zdroje napájania

- Ak stojan na televízor nebudete používať dlhší čas, odpojte jeho napájací kábel z elektrickej zásuvky na stene. Pri odpájaní elektrického napájacieho kábla uchopte zástrčku, nikdy neťahajte za samotný kábel.
- Výmenu elektrického napájacieho kábla môže vykonať iba autorizovaný servis.

### Prevádzka / Obsluha

Pred pripojením iných komponentov sa presvedčte, že je stojan na televízor vypnutý a odpojený.

### Autorské práva

Tento stojan na televízor disponuje systémom Dolby\* Digital, Pro Logic Surround a DTS\*\* Digital Surround.

\* Vyrobené v licencií spoločnosti Dolby Laboratories. Dolby, Pro Logic a symbol dvojitého D sú ochranné známky spoločnosti Dolby Laboratories.

\*\* Vyrobené v licencií U.S. patentov č.: 5 451 942; 5 956 674; 5 974 380; 5 978 762; 6 487 535 a iných vydaných a čakajúcich patentov v U.S.A. a na celom svete. DTS a Symbol sú registrované obchodné značky, DTS Digital Surround a logo DTS sú ochranné známky spoločnosti DTS, Inc. Produkt obsahuje softvér. © DTS, Inc. Všetky práva vyhradené.

Tento stojan na televízor disponuje technológiou rozhrania HDMI™ (High-Definition Multimedia Interface).

HDMI, logo HDMI a názov technológie High-Definition Multimedia Interface sú ochranné známky alebo registrované obchodné známky spoločnosti HDMI Licensing LLC v Spojených Štátoch a iných krajinách.

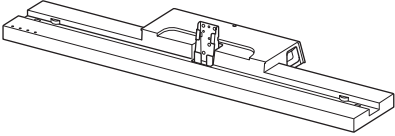
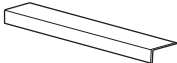
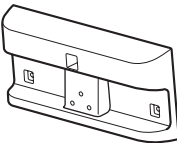


„BRAVIA“ je ochranná známka spoločnosti Sony Corporation.



**Poznámka o vyberaní stojana na televízor zo škatule**

Stojan na televízor držte a manipulujte s ním opatrne.

## Krok 1: Kontrola súčiastok

Názov	Množstvo
Stojan 	1
Zadný kryt* 	2
Spoj 	1
Montážna skrutka na upevnenie stĺpika stojana na televízor (PSW5 × 16) čierna (× 3) Skrutka spoja (PSW5 × 16) čierna (× 3) 	6
Adaptér na striedavý prúd	
Kábel elektrického napájania	
Vysoko rýchlostný kábel HDMI	1
Držiak kábla 	1
Návod na použitie	1
Záručný list	

\* Len pre model SU-B550S.

**VAROVANIE**

Ak sa elektrický napájací kábel pricvikne pod alebo medzi jednotlivé dielce zariadenia, môže dôjsť ku skratu alebo zásahu elektrickým prúdom. V prípade zakopnutia o napájací alebo prepájací kábel môže dôjsť k prevrhnutiu stojana na televízor a k úrazu.

### Umiestnenie zväzťe a stojan na televízor umiestnite skôr, ako začnete s montážou televízora.

Vzhľadom na to, že je televízor ťažký, odporúčame, aby ste najprv vybrali miesto pre montáž a stojan na televízor zostavili priamo na mieste.

Informácie o odmontovaní stolového stojana od televízora nájdete v návode na používanie vášho televízneho prijímača.

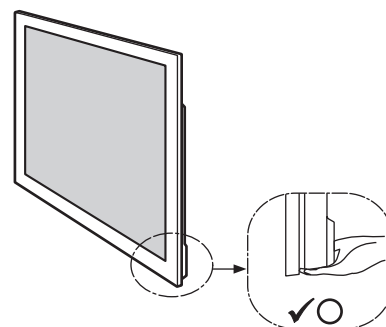
## Krok 2: Montáž televízora

**Pred montážou**

- Pred montážou sa uistite, že máte k dispozícii krížový skrutkovač Phillips, vhodný na príslušné skrutky.
- Ak používate elektrický skrutkovač, krútiaci moment nastavte na približne 1,5 N·m {15 kgf·cm}.

### 1 Pri prenášaní televízora ho držte za určené body.

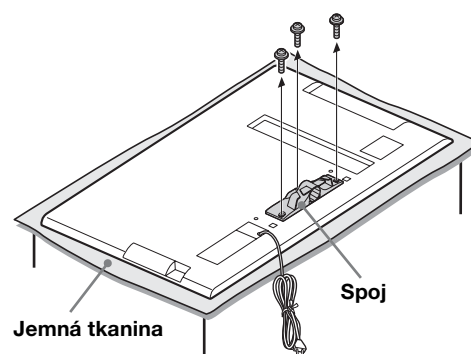
Televízor uchopte tak, ako to znázorňuje ilustrácia:



- Pri prenášaní televízora v rukách ho držte tak, ako je to znázornené vyššie. Netlačte na LCD panel a rám okolo obrazovky.

### 2 Zo spoja na zadnej časti televízora vyberte skrutky.

Spoj stiahnite nadol a odoberte ho.



- Vybraté skrutky si odložte.
- Pri demontáži stolového stojana z displeja položte displej obrazovkou nadol na pevný rovný povrch, ktorý je väčší ako displej.
- Aby sa predišlo poškodeniu povrchu LCD displeja, skôr ako ho položíte na podložku, prestrite na ňu jemnú tkaninu.

(Pokračovanie)



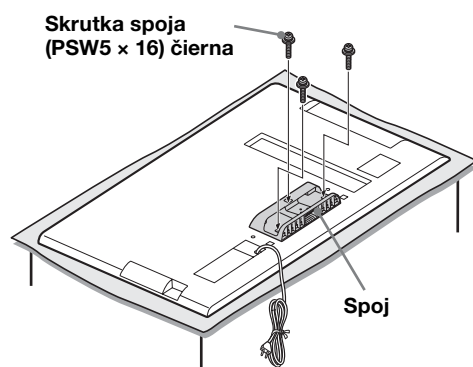
### UPOZORNENIE

- Následkom tlaku alebo úderov na povrch displeja sa LCD displej môže rozbiť alebo poškodiť.
- Displej položte obrazovkou nadol na pevný a rovný povrch tak, aby stolový stojan presahoval cez okraj podložky.

Ak bude obrazovka displeja a stolový stojan na rovnakej úrovni plochy podkladu, vznikne nestabilita, následkom ktorej sa počas zásahu môže displej poškodiť.

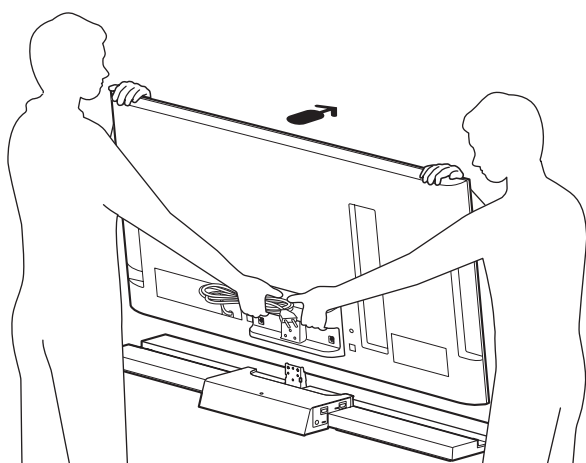
### 3 Tromi skrutkami (PSW5 × 16) čierne (dodáva sa) dodaný spoj primontujte na zadnú časť televízora.

Zasunutím nahor spoj nasadíte.



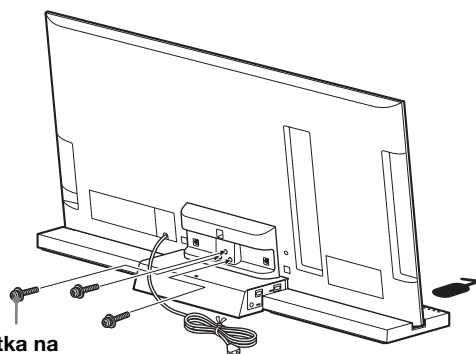
### 4 Televízor namontujte na stojan na televízor.

Televízor nainštalujete vložení do drážky stojanu na televízor.



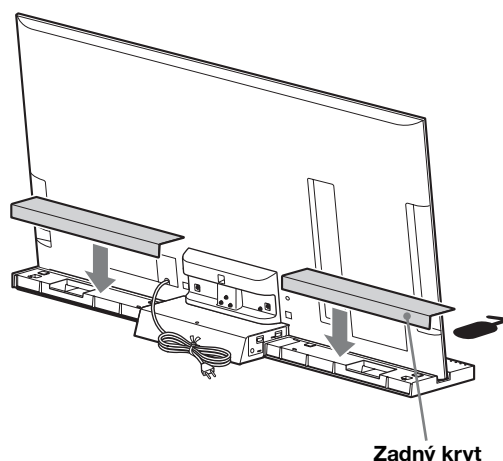
← Šípka smeruje k prednej časti stojana na televízor.

### 5 Televízor a stojan na televízor zaistíte tromi skrutkami na upevnenie stĺpika stojana na televízor (PSW5 × 16) čierne (dodáva sa).

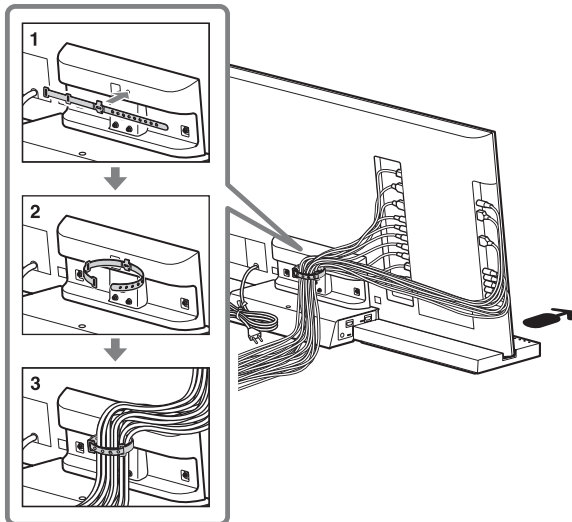


Skrutka na upevnenie stĺpika stojana na televízor (PSW5 × 16) čierna

### 6 Na stojan na televízor namontujte zadný kryt. (Len pre model SU-B550S)



## 7 Zvíjanie káblov.

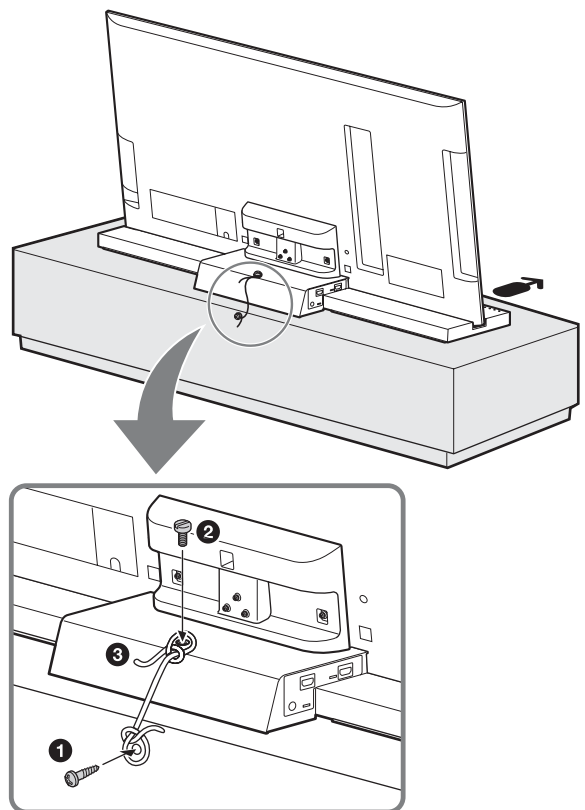


- Kábel elektrického napájania nenavíjajte spolu s ostatnými káblami.

## Krok 3: Bezpečnostné opatrenia na zabránenie prevrhnutiu

### VAROVANIE

Vykonajte opatrenia, aby ste zabránili prevrhnutiu stojana na televízor, čo by mohlo mať za následok úraz a poškodenie.



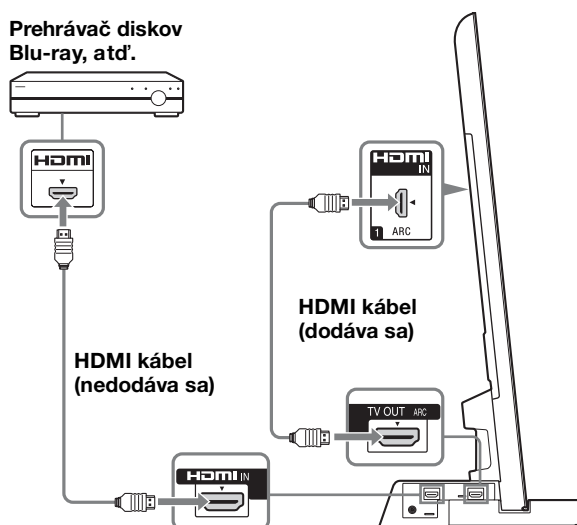
- 1 Zaskrutkujte do dosky skrutku do dreva (s priemerom 4 mm, nedodáva sa).
- 2 Zaskrutkujte skrutku do kovu (M4 × 16, nedodáva sa) do otvoru pre skrutku v stojane na televízor.
- 3 Skrutku do dreva a skrutku do kovu zviažte silným lankom (nedodáva sa).

## Krok 4: Pripájanie televízora a prehrávača

### Televízor prepojte so stojanom na televízor cez HDMI rozhranie pomocou kábla HDMI.

Pri prepájaní komponentov kompatibilných so Sony „BRAVIA“ Sync, pomocou káblov HDMI, je možné postup zjednodušiť, keď nastavíte funkciu ovládania HDMI pre televízor TV.

Prehrávač diskov  
Blu-ray, atď.



- Stojan na televízor je kompatibilný s funkciou ARC (Audio Return Channel). Ak stojan na televízor prepojíte s HDMI konektorom televízora kompatibilného s ARC káblom HDMI, nebude už potrebné prepájať televízor so stojanom na televízor pomocou optického kábla.
- Ak je televízor kompatibilný s funkciou ARC, vedľa HDMI konektora na televízore sa nachádzajú písmená „ARC“. Ak aj kábel HDMI pripojíte k HDMI konektoru, ale tento nie je s funkciou ARC kompatibilný, funkciu ARC nie je možné použiť.
- Funkcia ARC je k dispozícii, iba keď je ovládanie pre HDMI zapnuté.



- Aj keď je stojan na televízor vypnutý (aktívny pohotovostný režim), bude sa HDMI signál prenášať z komponentu pripojeného k televízoru cez HDMI pripojenie. Vychutnajte si obraz a zvuk z komponentu na televízore.

#### Poznámky k HDMI prepojeniam

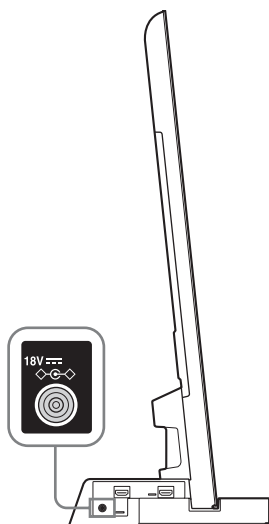
- Použite vysoko rýchlostný kábel HDMI. Ak použijete štandardný kábel HDMI, 1080p, Deep Colour alebo 3D (3-rozmerné) obrázky sa nemusia zobrazovať korektne.
- Odporúča sa používať schválený kábel HDMI.

- Ak je obraz alebo zvuk z komponentu pripojeného káblom HDMI nekvalitný, skontrolujte nastavenie pripojeného komponentu.
- Zvukové signály (vzorkovacia frekvencia, bitová dĺžka atď.) prenášané z HDMI konektora môžu byť potlačované pripojeným komponentom.
- Ak sa vzorkovacia frekvencia alebo počet kanálov výstupných zvukových signálov z prehrávajúceho komponentu prepne, zvuk sa môže prerušiť.
- Ak pripojený komponent nie je kompatibilný s technológiou ochrany autorských práv (HDCP), obraz a/alebo zvuk z výstupného HDMI konektora televízora môže byť rušivo deformovaný alebo nemusí byť prenášaný vôbec.  
V takom prípade skontrolujte špecifikácie parametrov pripojeného komponentu.
- Neodporúča sa používať konverzný kábel HDMI-DVI.
- Tento systém podporuje prenos hĺbky farieb Deep Colour, „x.v.Colour,“ a 3D (3-rozmerný obraz).



## Krok 5: Pripojenie elektrického napájacieho kábla

Skôr ako napájací kábel stojana na televízor pripojíte do elektrickej zásuvky na stene, popripájajte k stojanu na televízor všetky ostatné komponenty a televízor.



- Stojan na televízor pripojte do ľahko dostupnej elektrickej zásuvky so striedavým prúdom. Ak na stojane na televízor po pripojení spozorujete niečo neobvyklé, napájací kábel z elektrickej zásuvky okamžite vytiahnite.

## Krok 6: Realizácia nastavení televízora

### ❶ Funkciu „Ovládanie pre HDMI“ nastavte na „Zap.“.

Na diaľkovom ovládači televízora stlačte tlačidlo HOME a z ponuky vyberte nasledovné:  
🗑️ Nastavenia > 📺 Externé vstupy > Nastavenie HDMI > Ovládanie pre HDMI > Zap.

### ❷ V ponuke „Reproduktory“ nastavte „Audio systém“.

Na diaľkovom ovládači televízora stlačte tlačidlo HOME a z ponuky vyberte nasledovné:  
🗑️ Nastavenia > 🔊 Zvuk > Reproduktory > Audio systém



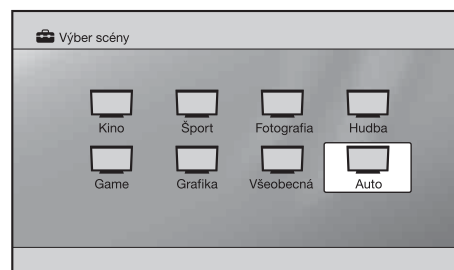
- Po dokončení nastavení pre postupy ❶ a ❷, sa indikátor I (napájanie) rozsvieti na zeleno.



### • Režim Výber scény

Tento stojan na televízor sa automaticky zosynchronizuje so zvukom televízora a spolupracuje s funkciou výberu scény tak, že pre zvolenú scénu vyberie váš obľúbený zvuk.

Zvuk zmeníte zmenou nastavení zvuku televízora.



Skôr ako tento režim použijete, presvedčte sa, že na televízore sa vykonali nasledovné nastavenia.

## Riešenie problémov

### Zvuk

Nepočuť zvuk:

- Skontrolujte prepojenie kábla HDMI.
- Skontrolujte nastavenia „Ovládanie pre HDMI“ a „Audio systém“ podľa kroku 6 (strana 9).

Použitie so slúchadlami:

- „Audio systém“ v nastaveniach „Reproduktory“ prepnete na „Reproduktor TV“:

Použitie s duálnym zvukom digitálneho televízneho vysielania:

- V závislosti od vysielania nie je možné zvuk prepnúť. Prepnete nastavenie „Optický výstup“ televízora z „Auto“ na „PCM“:

Použitie s externým zariadením pre duálny zvuk:

- Ak sa zvuk nedá prepnúť, prepnete nastavenie audio výstupu externého zariadenia na aktivovanie PCM.

### Indikátor

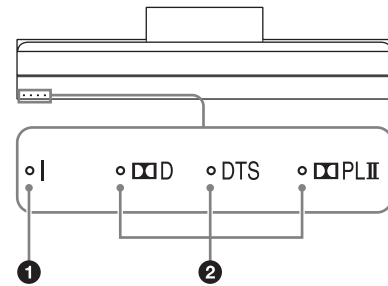
Aj keď je hlavný vypínač napájania televízora zapnutý, indikátor **I** (napájanie) na stojane na televízor nesvieti:

- Skontrolujte pripojenie k elektrickej sieti, napájací kábel, atď.
- Problém konzultujte so servisom podpory.

Indikátor **I** (napájanie) bliká na červeno:

- Mohlo sa stať, že došlo k poruche. Skontrolujte, koľkokrát kontrolka LED zabliká a problém konzultujte so servisným centrom Sony.

## Indikátor



### 1 Indikátor I (napájanie)

Svieti nasledovne:

Zelená: stojan na televízor je zapnutý. („Audio systém“ je nastavený na „Reproduktory“.)

Vyp.: stojan na televízor je v pohotovostnom režime alebo je vypnutý.

### 2 Indikatory audio formátu

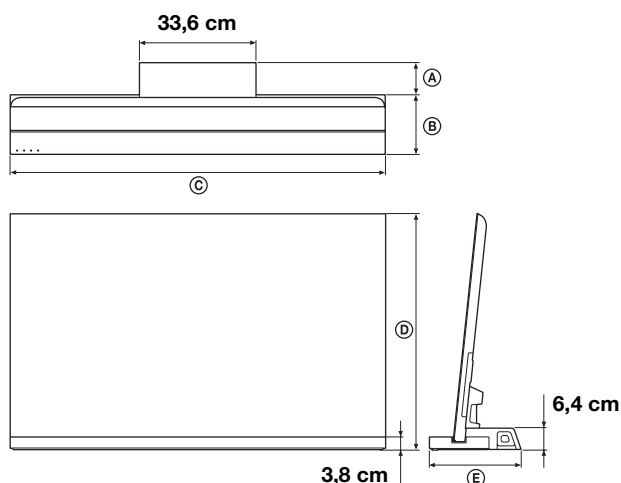
Svietia podľa audio formátu, ktorého vstup je pripojený k stojanu na televízor.

**D**: Dolby Digital

DTS

**PLII**: Dolby Pro Logic II

# Technické údaje



		SU-B550S	SU-B460S	SU-B400S
Rozmery: cm	Ⓐ	8,1	9,3	10
	Ⓑ	20	17,2	16,1
	Ⓒ	127,6	108,3	94,4
	Ⓓ	79,3	68,4	60,6
	Ⓔ	28,1	26,5	26,1
Hmotnosť stojana:		5,8 kg	5,4 kg	5,1 kg

## Zosilňovač

Menovitý výkon Predný: 10 W + 10 W, (na kanál)  
12 ohmov, 1 kHz, THD menej ako 1%  
Subwoofer: 20 W, 6 ohmov, 100 Hz,  
THD menej ako 1%

## HDMI

Konektor HDMI™ konektor  
Video vstupy/ výstupy 640 × 480p@60 Hz  
720 × 480p@59,94/60 Hz  
1280 × 720p@59,94/60 Hz  
1920 × 1080i@59,94/60 Hz  
1920 × 1080p@59,94/60 Hz  
720 × 576p@50 Hz  
1280 × 720p@50 Hz  
1920 × 1080i@50 Hz  
1920 × 1080p@50 Hz  
1920 × 1080p@24 Hz  
Deep Colour: 30bit/36bit

Video vstupy/  
výstupy (3D)

1280 × 720p@59,94/60 Hz  
Balíky obrázkov  
1920 × 1080i@59,94/60 Hz  
Balíky obrázkov  
1920 × 1080i@59,94/60 Hz  
Jedno vedľa druhého (polovica)  
1920 × 1080p@59,94/60 Hz  
Jedno vedľa druhého (polovica)  
1280 × 720p@50 Hz  
Balíky obrázkov  
1920 × 1080i@50 Hz  
Balíky obrázkov  
1920 × 1080i@50 Hz  
Jedno vedľa druhého (polovica)  
1920 × 1080p@50 Hz  
Jedno vedľa druhého (polovica)  
1920 × 1080p@24 Hz  
Balíky obrázkov  
Deep Colour: 30bit/36bit  
Lineárny PCM 7.1ch/  
Dolby Digital/DTS

Audio vstupy

## Reproduktory

### Predný reproduktor

Reproduktorový systém  
2-cestný 3-driver, typ Bass reflex  
Reproduktorová jednotka  
Woofer: 30 × 82 mm kónický  
typ, × 2  
Tweeter: 14 mm kopulový typ

### Subwoofer

Reproduktorový systém  
Subwoofer, typ Bass reflex  
Reproduktorová jednotka  
70 mm kónický typ

## Všeobecné

Požiadavky na napájanie  
100 – 240 V, 50/60 Hz  
Príkion (spotreba energie)  
Zapnuté: 12 W  
Pohotovostný režim: 0,7 W

- Príkion (spotreba) v pohotovostnom režime: 0,7 W
- V prípade určitých dosiek plošných spojov sa halogénované zhášadlá nepoužívajú.
- Viac ako 85 % výkonu zosilňovača sa dosahuje v prípade plnohodnotného digitálneho zosilňovača S-Master.

Dizajn a špecifikácie parametrov sa môžu zmeniť bez upozornenia.

## Безопасность

**Благодарим за покупку этого изделия. Изделия Sony разработаны с учетом требований по безопасности. Неправильное использование изделия может стать причиной серьезных травм вследствие поражения электрическим током, возгорания, опрокидывания или падения изделия. Во избежание возникновения таких несчастных случаев обязательно соблюдайте соответствующие меры предосторожности.**

В этом руководстве по установке приведены важные меры предосторожности и информация по обеспечению надлежащего обращения с изделием, которые необходимы для предотвращения несчастных случаев. Обязательно внимательно прочтите настоящее руководство и используйте изделие по назначению. Сохраните настоящее руководство для использования в будущем.

## ВНИМАНИЕ

### Указанные изделия

Эта подставка предназначена для использования только с указанными ниже изделиями Sony. Устанавливайте на подставку только указанные изделия.

Указанные далее изделия могут быть изменены без предварительного уведомления, могут отсутствовать в продаже или быть сняты с производства. Кроме того, некоторые модели продаются не во всех регионах.

	Цветной ЖК-телевизор
SU-B550S	KDL-55NX81□*
SU-B460S	KDL-46NX71□*
SU-B400S	KDL-40NX71□*

(по состоянию на август 2010 г.)

\* В реальных названиях моделей знаки “□” означают числа и/или символы, характерные для конкретной модели.

### Расположение идентифицирующей этикетки

Этикетка с номером модели расположена на задней панели подставки для телевизора.

### Утилизация подставки для телевизора



Утилизация отслужившего электрического и электронного оборудования (директива применяется в странах Евросоюза и других европейских странах, где действуют системы раздельного сбора отходов)

Данный знак на устройстве или его упаковке обозначает, что данное устройство нельзя утилизировать вместе с прочими бытовыми отходами. Его следует сдать в соответствующий приемный пункт переработки электрического и электронного оборудования. Неправильная утилизация данного изделия может привести к потенциально негативному влиянию на окружающую среду и здоровье людей, поэтому для предотвращения подобных последствий необходимо выполнять специальные требования по утилизации этого изделия. Переработка данных материалов поможет сохранить природные ресурсы. Для получения более подробной информации о переработке этого изделия обратитесь в местные органы городского управления, службу сбора бытовых отходов или в магазин, где было приобретено изделие.

## ПРЕДУПРЕЖДЕНИЕ

Несоблюдение приведенных ниже мер предосторожности может стать причиной смерти или получения серьезных травм вследствие поражения электрическим током, возгорания или опрокидывания устройства.

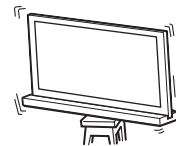
### Примите все необходимые меры предосторожности во избежание опрокидывания подставки для телевизора.

В противном случае телевизор может упасть и стать причиной травм.

Во избежание опрокидывания прикрепите подставку для телевизора к стойке и т.п.

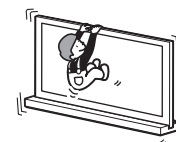
### Обязательно устанавливайте подставку для телевизора на устойчивую поверхность.

При установке подставки на неподходящую поверхность она может потерять устойчивость и упасть. Это может стать причиной травмы или повреждения имущества.



### Не опирайтесь на телевизор и не висните на нем, когда он установлен на подставку.

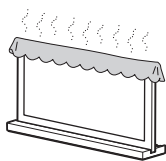
Подставка может опрокинуться и телевизор может упасть и стать причиной серьезной травмы или смерти.



## Не перекрывайте вентиляционные отверстия телевизора.

Эти отверстия необходимы для обеспечения надежной работы телевизора и защиты от перегрева.

- Не блокируйте и не закрывайте вентиляционные отверстия тканью или другим материалом.
- Никогда не допускайте попадания жидкости или твердых предметов в вентиляционные отверстия.



## Не ставьте на телевизор предметы, наполненные жидкостью, например вазы или комнатные растения.

## Не пользуйтесь телевизором, подключенным к электрической сети, около воды, например, около ванны, унитаза, кухонной мойки, бассейна и т.д.

## Не устанавливайте телевизор в местах с повышенной температурой, например под воздействием прямых солнечных лучей, рядом с радиаторами или отопительными воздуховодами.

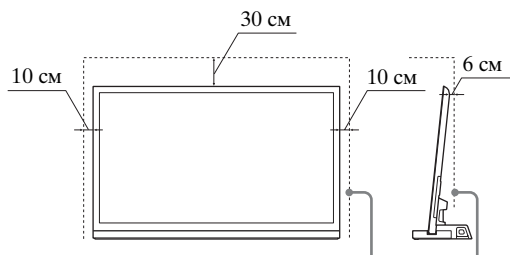
В этих случаях телевизор может перегреться, что может привести к деформации корпуса и/или неисправности телевизора.

## Не устанавливайте телевизор в непосредственной близости от систем кондиционирования воздуха.

Внутри телевизора может образоваться конденсат, что может привести к его неисправности.

## Для обеспечения надлежащей циркуляции воздуха оставляйте достаточное свободное пространство вокруг телевизора.

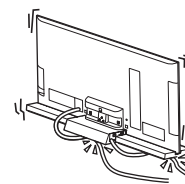
Оставьте вокруг телевизора достаточно свободного места, как показано ниже.



Обеспечьте вокруг телевизора расстояние не меньше указанного.

## Кабель питания переменного тока

- Используйте только кабели питания переменного тока производства Sony, не пользуйтесь кабелями других производителей.
- При установке телевизора на подставку не допускайте защемления кабеля питания переменного тока и соединительных кабелей. Повреждение кабеля питания переменного тока или соединительного кабеля может стать причиной возгорания или поражения электрическим током.
- Не вставляйте на кабель питания переменного тока или соединительный кабель при переносе подставки для телевизора. Это может привести к повреждению кабеля питания переменного тока или соединительного кабеля, что может стать причиной возгорания или поражения электрическим током.
- Если запнуться за кабель питания переменного тока или соединительный кабель, подставка для телевизора может опрокинуться и привести к травме.
- Отключение кабеля питания переменного тока от сетевой розетки полностью отключит подставку для телевизора от сети питания переменного тока.



## ПРИМЕЧАНИЕ О СЕТЕВОМ АДАПТЕРЕ

### Предупреждение

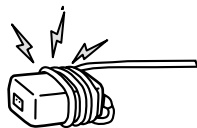
Во избежание возникновения пожара и поражения электрическим током предохраняйте устройство от попадания в него воды и от воздействия влаги. Во избежание возгорания или поражения электрическим током не ставьте на устройство предметы, наполненные жидкостями, например вазы.

(Продолжение)

3 (RU)

Не устанавливайте устройство в тесном пространстве, например на книжной полке и т. д.

- Убедитесь, что электрическая розетка находится рядом с устройством в легкодоступном месте.
- Обязательно используйте прилагаемый сетевой адаптер и кабель питания.
- Не используйте другие сетевые адаптеры. Это может привести к неисправности.
- Подключите сетевой адаптер к легкодоступной электрической розетке.
- Не обматывайте кабель питания вокруг сетевого адаптера. При этом может обломиться провод с сердечником, что приведет к неисправности телевизора.
- Не прикасайтесь к сетевому адаптеру влажными руками.
- Если вы заметите, что сетевой адаптер работает неправильно, немедленно отключите его от электрической розетки.
- Пока устройство включено в электрическую розетку, на него по-прежнему подается электропитание, даже если само устройство выключено.



## ВНИМАНИЕ

При несоблюдении следующих мер предосторожности существует вероятность получения травм или повреждения имущества.

### Не устанавливайте на кронштейн какое-либо другое оборудование, кроме указанного.

Эта подставка для телевизора предназначена для использования только с указанным изделием. Если на подставку установить оборудование, отличное от указанного, оно может упасть или повредиться, а также может стать причиной травм. Иллюстрации в данном руководстве относятся к модели KDL-46NX71□, если не указано иное.

### Надежно закрепите телевизор.

Закрепите телевизор на подставке для телевизора с помощью прилагаемых винтов. Если телевизор не установлен надежно, он может упасть или подставка может опрокинуться и стать причиной травм.

## Примечания по установке

Не допускайте установки подставки для телевизора под углом или под наклоном. Во избежание этого соблюдайте следующие меры предосторожности. При установке подставки для телевизора на мягкую поверхность (мат или ковер) сначала подложите под подставку доску.

- Не устанавливайте подставку для телевизора в месте, подверженном воздействию прямых солнечных лучей, или рядом с обогревателем.
- Не устанавливайте подставку для телевизора в помещениях с повышенной температурой/влажностью или на улице.

## Примечание по эксплуатации

### Очистка

Для поддержания чистоты подставки для телевизора время от времени протирайте ее сухой мягкой тканью. Стойкие пятна можно удалить, слегка смочив ткань в мыльном растворе. После этого обязательно протрите этот участок сухой мягкой тканью. Не используйте химические средства, например, растворитель или бензин, так как они могут повредить покрытие подставки.

### Установка должна выполняться двумя или более лицами.

Убедитесь, что установка телевизора на подставку производится двумя или более лицами. Если установку выполняет один человек, это может стать причиной несчастного случая или травмы.

### Не изменяйте конструкцию подставки для телевизора.

В противном случае она может упасть и причинить травмы.

### Надежно устанавливайте телевизор, следуя следующим инструкциям.

Надежно затяните винты. Если телевизор не установлен надежно, он может упасть и стать причиной травмы.

### При сборке будьте осторожны, чтобы не повредить руки и пальцы.

- Не перемещайте подставку телевизора, держась за вертикальный кронштейн.
- Следите за тем, чтобы при установке телевизора не повредить руки или пальцы.

# МЕРЫ ПРЕДОСТОРОЖНОСТИ

## Источники питания

- Если вы не планируете использовать подставку для телевизора в течение продолжительного периода времени, обязательно выньте кабель питания переменного тока из сетевой розетки. При отключении кабеля питания переменного тока следует брать за вилку, а не за провод.
- Кабель питания переменного тока подлежит замене только в специализированной ремонтной мастерской.

## Эксплуатация

Перед подключением других компонентов выключите подставку для телевизора и выньте кабель питания переменного тока из сетевой розетки.

## Авторские права

В подставку для телевизора встраиваются системы Dolby\* Digital и Pro Logic Surround, а также DTS\*\* Digital Surround System.

\* Изготовлено по лицензии компании Dolby Laboratories. Dolby, Pro Logic и знак в виде двойной буквы D являются товарными знаками компании Dolby Laboratories.

\*\* Изготовлено по лицензии и в соответствии с патентами США №: 5,451,942; 5,956,674; 5,974,380; 5,978,762; 6,487,535, а также другими патентами в США и прочих странах, выданными и находящимися на рассмотрении. DTS и символ являются зарегистрированными товарными знаками, а DTS Digital Surround и логотипы DTS являются товарными знаками DTS, Inc. Продукт включает программное обеспечение. © DTS, Inc. Все права защищены.

В данную подставку для телевизора встроена технология High-Definition Multimedia Interface (HDMI™).

HDMI, логотип HDMI и High-Definition Multimedia Interface являются товарными знаками или зарегистрированными товарными знаками компании HDMI Licensing LLC в США и других странах.

“BRAVIA” является товарным знаком Sony Corporation.



Sony Corporation, 1-7-1 Konan,  
Minato-ku, Tokyo Japan  
Assembled in Malaysia



Sony Corporation, 1-7-1 Konan,  
Minato-ku, Tokyo Japan  
Собрано в Испании, Малайзия



Импортер на территории РФ: ЗАО «СОНИ  
Электроникс», 123103, Москва, Карамышевский  
проезд, д.6

**Примечание по извлечению подставки для телевизора из упаковки**

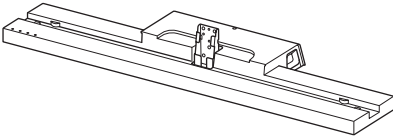
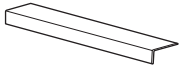
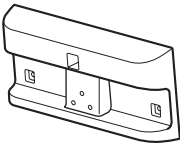
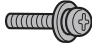
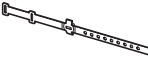
Обязательно придерживайте подставку для телевизора и соблюдайте осторожность при ее переноске.

**Перед установкой телевизора выберите место для установки и положите подставку для телевизора.**

Поскольку телевизор является тяжелым, рекомендуется выбрать место для установки заранее и собрать подставку для телевизора заранее.

## Шаг 1: Проверка комплектации

Для получения информации о снятии с телевизора настольной подставки см. инструкции по эксплуатации, прилагающиеся к телевизору.

Наименование	Количес
Подставка 	1
Задняя крышка* 	2
Крепление 	1
Винт крепления вертикального кронштейна подставки для телевизора (PSW5 × 16), черный (× 3) Винт крепления (PSW5 × 16), черный (× 3) 	6
Адаптер питания переменного тока	
Кабель питания переменного тока	
Высокоскоростной кабель HDMI	1
Держатель кабеля 	1
Инструкции по эксплуатации	1
Гарантийный талон	

\* Только для модели SU-B550S.

**ПРЕДУПРЕЖДЕНИЕ**

Если кабель питания переменного тока зажат под или между деталями оборудования, это может привести к короткому замыканию или поражению электрическим током. Если запнуться за кабель питания переменного тока или соединительный кабель, подставка для телевизора может опрокинуться и привести к травме.



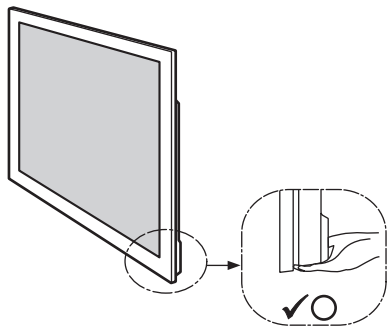
## Шаг 2: Установка телевизора

### Перед сборкой

- Убедитесь, что у вас имеется крестообразная отвертка, подходящая для винтов.
- Если используется электрический шуруповерт, его вращающий момент должен составлять приблизительно 1,5 Н·м {15 кгс·см}.

### 1 При перемещении телевизора держите его указанным образом.

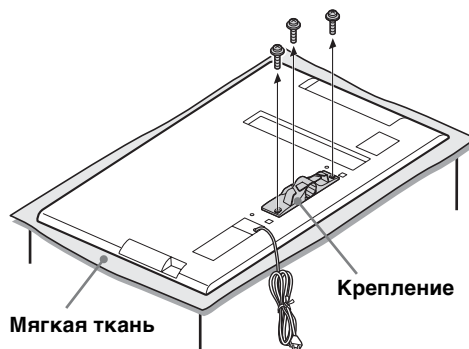
Убедитесь, что держите телевизор, как показано на рисунке:



- При переноске телевизора вручную держите его, как показано на рисунке. Не прикладывайте усилия к ЖК-панели и к рамке вокруг экрана.

### 2 Выкрутите винты из крепления на задней панели телевизора.

Для отсоединения сдвиньте крепление вниз.



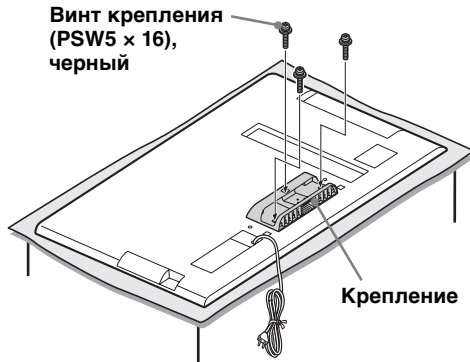
- Обязательно сохраните выкрученные винты.
- При отсоединении от настольной подставки положите телевизор экраном вниз на устойчивую поверхность, на которой телевизор может уместиться целиком.
- Во избежание повреждения поверхности экрана ЖК-телевизора подложите под него мягкую ткань.

### ВНИМАНИЕ

- Не надавливайте на телевизор и не стучите по нему. В противном случае это может привести к поломке или повреждению телевизора.
- Положите телевизор экраном вниз на устойчивую ровную поверхность, так чтобы настольная подставка свешивалась за край поверхности. Расположение настольной подставки на ровной поверхности вместе с экраном может стать причиной нестабильных условий работы и повреждения телевизора.

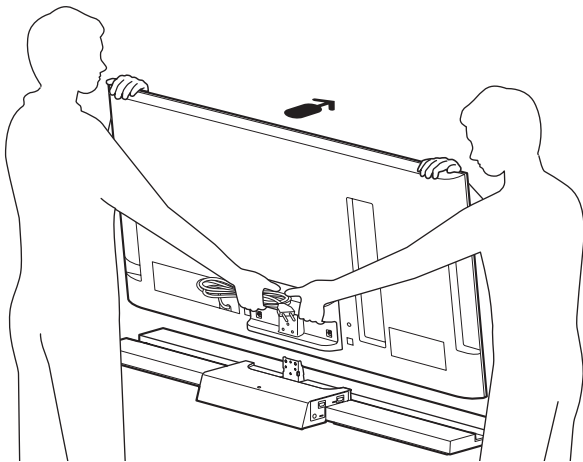
### 3 Прикрепите прилагаемое крепление к задней панели телевизора тремя винтами (PSW5 x 16), черные (прилагаются).

Для фиксации сдвиньте прилагаемое крепление вверх.



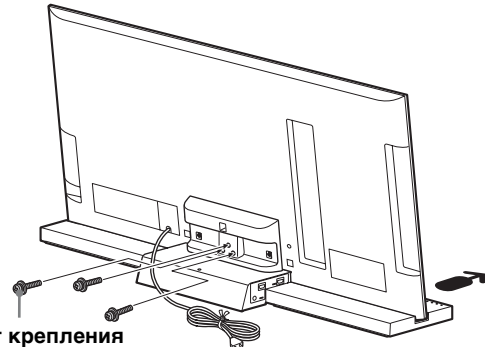
### 4 Установите телевизор на подставку для телевизора.

Установка телевизора производится в пазы подставки для телевизора.



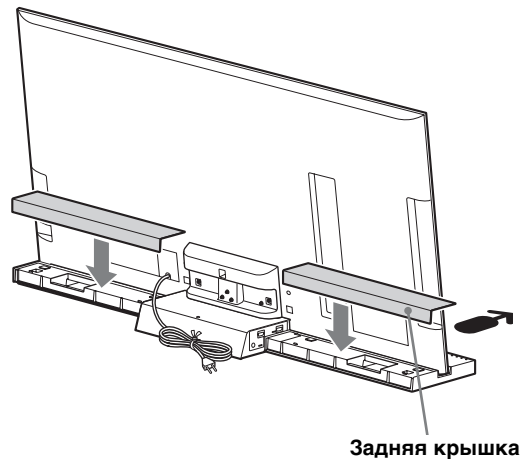
← Направления стрелок указывают переднюю часть подставки для телевизора.

### 5 Закрепите телевизор на подставке для телевизора с помощью трех винтов крепления вертикального кронштейна подставки для телевизора (PSW5 x 16), черные (прилагаются).

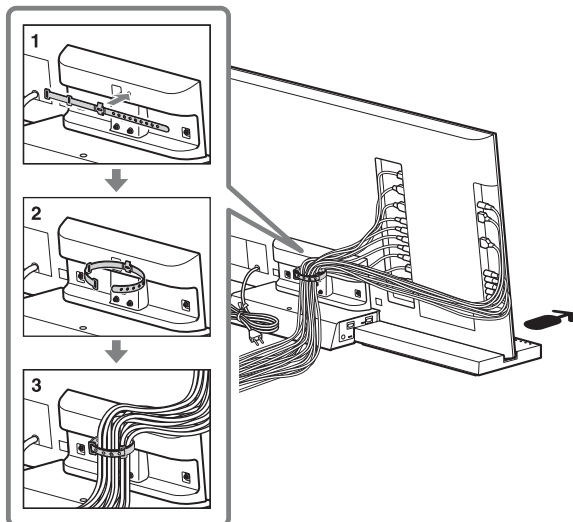


Винт крепления вертикального кронштейна подставки для телевизора (PSW5 x 16), черный

### 6 Установите заднюю крышку подставки для телевизора. (Только для модели SU-B550S)



## 7 Группирование кабелей.

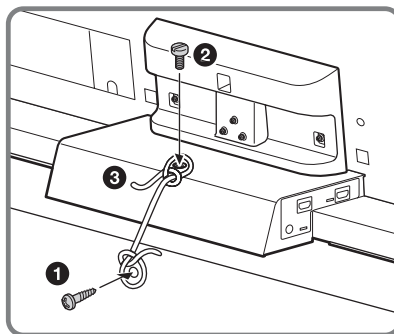
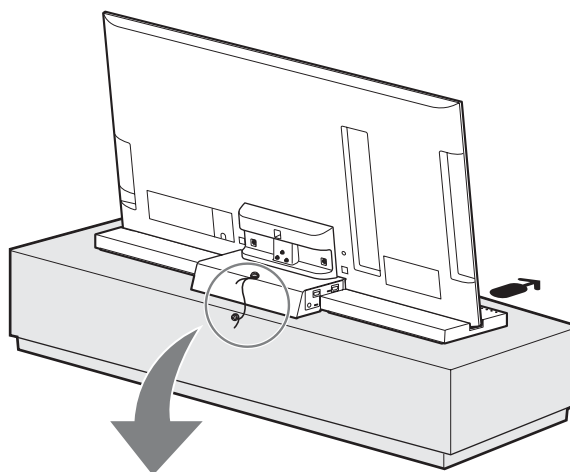


- Не прокладывайте кабель питания переменного тока вместе с другими кабелями.

## Шаг 3: Меры предосторожности для предотвращения опрокидывания

### ПРЕДУПРЕЖДЕНИЕ

Примите все необходимые меры предосторожности для предотвращения опрокидывания подставки для телевизора и возможных травм и повреждений.

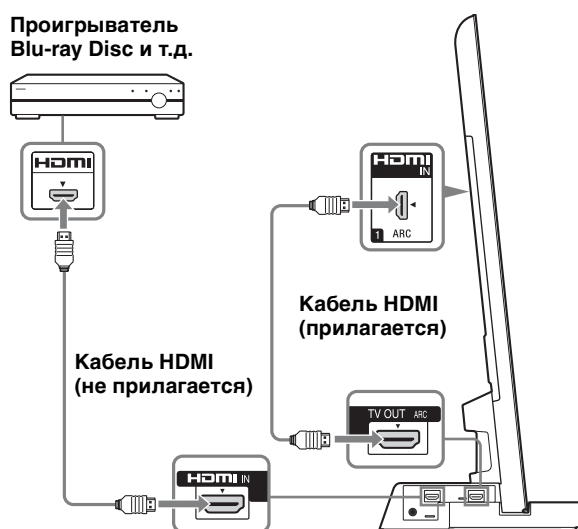


- ❶ Закрутите шуруп (диаметром 4 мм, не прилагается) в панель.
- ❷ Закрутите крепежный винт (M4 × 16, не прилагается) в отверстие под винт на подставке для телевизора.
- ❸ Свяжите шуруп и крепежный винт прочной бечевкой (не прилагается).

## Шаг 4: Подключение телевизора и проигрывателя

### Подключите телевизор к гнезду HDMI подставки для телевизора, используя кабель HDMI.

Подключив компоненты, поддерживающие технологию Sony “BRAVIA” Sync с помощью кабелей HDMI, можно облегчить управление, если установить для телевизора функцию “Контроль по HDMI”:



- Подставка для телевизора совместима с функцией Audio Return Channel (ARC). Если подключение подставки производится к гнезду HDMI совместимого с функцией ARC телевизора с помощью кабеля HDMI, нет необходимости подключать телевизор к подставке для телевизора с помощью цифрового оптического кабеля.
- Если гнездо HDMI телевизора совместимо с функцией ARC, рядом с ним можно будет увидеть буквы “ARC”. Если входное гнездо HDMI не поддерживает функцию ARC, то даже подключив кабель HDMI к этому гнезду, использовать функцию ARC не удастся.
- Эта функция доступна, только если функция “Контроль по HDMI” включена.



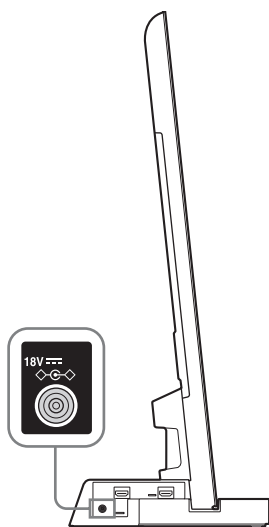
- Даже если подставка для телевизора выключена (включен режим ожидания), сигнал HDMI от подключенного компонента будет поступать на телевизор через соединение HDMI. При этом на телевизоре можно будет воспроизводить изображения и звук с компонента.

### Примечания по подключениям HDMI

- Используйте высокоскоростной кабель HDMI. При использовании стандартного кабеля HDMI изображения 1080p, Deep Colour или 3D могут отображаться ненадлежащим образом.
- Мы рекомендуем использовать утвержденный кабель HDMI.
- Если качество изображения плохое, а звук через компонент, подключенный по кабелю HDMI, не воспроизводится, проверьте настройку подключенного компонента.
- Аудиосигналы (частота дискретизации, длина в битах и т.д.), передаваемые через гнездо HDMI, могут подавляться подключенным компонентом.
- Звук может прерываться, когда частота дискретизации или количество каналов выходных аудиосигналов из компонента воспроизведения переключаются.
- Если подключенный компонент не совместим с технологией, защищенной авторским правом (HDCP), изображение и/или звук могут передаваться через гнездо HDMI TV OUT в искаженном виде или не передаваться вовсе. В этом случае проверьте технические характеристики подключенного компонента.
- Не рекомендуется использовать переходной кабель HDMI-DVI.
- Данная система поддерживает передачу изображений Deep Colour, “x.v.Colour” и 3D.

## Шаг 5: Подключение кабеля питания переменного тока

Перед тем как подсоединить кабель питания переменного тока подставки для телевизора к сетевой розетке, подсоедините к ней все остальные компоненты и телевизор.



- Подсоединяйте подставку для телевизора к легкодоступной сетевой розетке. В случае обнаружения неправильной работы подставки немедленно отсоедините штепсельную вилку от сетевой розетки.

## Шаг 6: Настройка параметров телевизора

### 1 Установите для функции “Контроль по HDMI” значение “Вкл.”.

Нажмите кнопку HOME на пульте дистанционного управления телевизора и выберите меню следующим образом.

🗑️ Установки > 📺 Внешние входы > Настройка HDMI > Контроль по HDMI > Вкл.

### 2 В меню “Динамики” выберите пункт “Аудиосистема”.

Нажмите кнопку HOME на пульте дистанционного управления телевизора и выберите меню следующим образом.

🗑️ Установки > 🗣️ Звук > Динамики > Аудиосистема



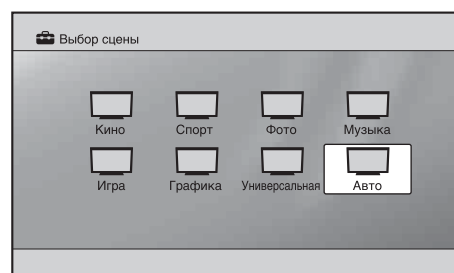
- После завершения настроек для процедуры 1 и 2 индикатор I (питание) загорится зеленым.



### • Режим выбора сцены

Подставка для телевизора синхронизируется с настройками звука телевизора автоматически и работает с функцией выбора сцены, чтобы можно было выбрать подходящее звучание для определенной сцены.

Для изменения звучания измените настройки звука телевизора.



Перед использованием этого режима убедитесь, что на телевизоре настроены соответствующие параметры.

# Поиск и устранение неисправностей

## Звук

Нет звука.

- Проверьте соединение кабеля HDMI.
- Проверьте значения параметров “Контроль по HDMI” и “Аудиосистема” в шаге 6 (стр. 11).

Использование наушников.

- Установите для параметра “Аудиосистема” значение “Динамик ТВ” в меню “Динамики”.

При использовании двухканального звука цифровых телевизионных передач:

- В зависимости от передачи, возможно, звук не будет переключаться. Установите для параметра “Оптический выход” телевизора вместо значения “Авто” значение “PCM”.

При использовании внешнего оборудования для двухканального звука:

- Если не удастся переключить звук, активируйте функцию PCM для аудиовхода внешнего оборудования.

## Индикатор

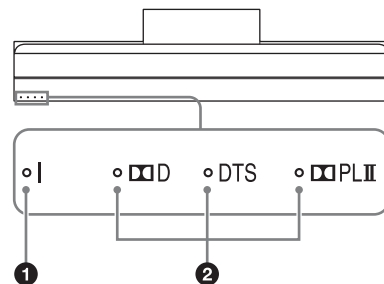
Хотя питание телевизора включено, индикатор I (питание) подставки для телевизора не горит.

- Проверьте подключение кабеля питания переменного тока и т.д.
- Обратитесь в службу поддержки покупателей.

Индикатор I (питание) мигает красным.

- Возможно, произошла неисправность устройства. Подсчитайте, сколько раз мигает индикатор и обратитесь в сервисный центр Sony.

# Индикатор



## 1 Индикатор I (питание)

Сигналы индикатора.

Зеленый: питание подставки для телевизора включено. (Для параметра “Динамики” установлено значение “Аудиосистема”.)

Выключен: подставка для телевизора находится в режиме ожидания или питание подставки выключено.

## 2 Индикаторы аудиоформата

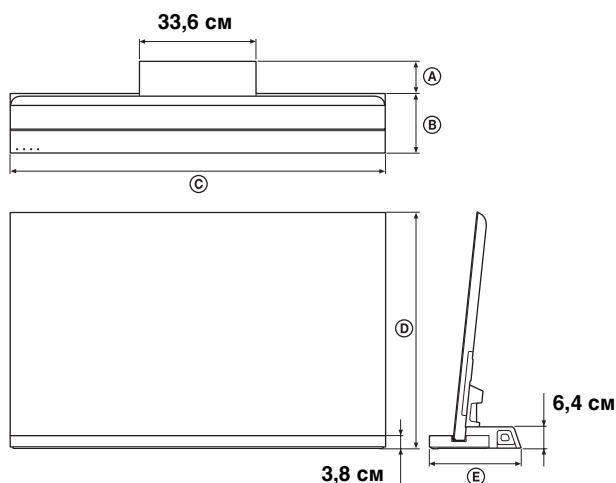
Индикация зависит от аудиоформата сигнала, поступающего на вход подставки для телевизора.

□D: Dolby Digital

DTS

□PLII: Dolby Pro Logic II

# Технические характеристики



		SU-B550S	SU-B460S	SU-B400S
Размеры: см	А	8,1	9,3	10
	В	20	17,2	16,1
	С	127,6	108,3	94,4
	Д	79,3	68,4	60,6
	Е	28,1	26,5	26,1
Вес подставки:		5,8 кг	5,4 кг	5,1 кг

## Усилитель

Номинальная мощность на выходе

Передние: 10 Вт + 10 Вт, 12 Ом  
(на канал), 1 кГц, суммарное  
значение коэффициента  
нелинейных искажений менее 1%  
Сабвуфер: 20 Вт, 6 Ом, 100 Гц,  
суммарное значение  
коэффициента нелинейных  
искажений менее 1%

## HDMI

Разъем  
Видеовходы/  
выходы

Разъем HDMI™  
640 × 480p@60 Гц  
720 × 480p@59,94/60 Гц  
1280 × 720p@59,94/60 Гц  
1920 × 1080i@59,94/60 Гц  
1920 × 1080p@59,94/60 Гц  
720 × 576p@50 Гц  
1280 × 720p@50 Гц  
1920 × 1080i@50 Гц  
1920 × 1080p@50 Гц

Видеовходы/  
выходы (3D)

1920 × 1080p@24 Гц  
Deep Colour: 30 бит/36 бит  
1280 × 720p@59,94/60 Гц  
Упаковка кадров  
1920 × 1080i@59,94/60 Гц  
Упаковка кадров  
1920 × 1080i@59,94/60 Гц  
Рядом (в половину)  
1920 × 1080p@59,94/60 Гц  
Рядом (в половину)  
1280 × 720p@50 Гц  
Упаковка кадров  
1920 × 1080i@50 Гц  
Упаковка кадров  
1920 × 1080i@50 Гц  
Рядом (в половину)  
1920 × 1080p@50 Гц  
Рядом (в половину)  
1920 × 1080p@24 Гц  
Упаковка кадров  
Deep Colour: 30 бит/36 бит  
Linear PCM 7.1-канальный/  
Dolby Digital/DTS

Аудиовходы

## Динамики

### Передний динамик

Система динамика 2-полосная с 3 динамиками  
фазоинверторного типа  
Динамик Низкочастотный:  
30 × 82 мм, конического типа ×2  
Высокочастотный: 14 мм,  
купольного типа

### Сабвуфер

Система динамика Сабвуфер, фазаинверторного  
типа  
Динамик 70 мм, конического типа

## Общие

Требования к источнику питания  
100 – 240 В, 50/60 Гц  
Потребляемая мощность  
В рабочем режиме: 12 Вт  
В режиме ожидания: 0,7 Вт

- Потребляемая мощность в режиме ожидания: 0,7 Вт
- При изготовлении определенных печатных плат не используются галогенизированные огнезащитные составы.
- Более 85 % КПД усилителя достигается за счет использования цифрового усилителя S-Master.

Конструкция и характеристики могут быть изменены без предварительного уведомления.



## Стосовно техніки безпеки

**Дякуємо за придбання цього виробу. Під час розробки виробів Sony безпека стоїть на першому місці. Неправильне використання може стати причиною серйозного травмування через пожежу, ураження електричним струмом, перекидання або падіння виробу. Щоб запобігти таким випадкам, обов'язково дотримуйтеся правил техніки безпеки.**

У цьому посібнику з експлуатації описано правильне поводження з виробом і наведено важливі застережні заходи, необхідні для уникнення нещасних випадків. Обов'язково уважно прочитайте цей посібник і використовуйте виріб належним чином. Зберігайте цей посібник для перегляду в майбутньому.

## УВАГА

### Зазначені вироби

Ця підставка призначена для використання з виробами Sony, зазначеними нижче. Не встановлюйте на неї будь-яких виробів, окрім зазначених.

Наведені нижче вироби можуть змінюватися без попередження, їх може не бути на складі, або їх виробництво може бути припинене. Крім того, певні моделі не продаються в деяких регіонах.

	Кольоровий РК-телевізор
SU-B550S	KDL-55NX81□*
SU-B460S	KDL-46NX71□*
SU-B400S	KDL-40NX71□*

(станом на серпень 2010 року)

\* У назвах моделей замість «□» стоять цифри і/або символи, специфічні для кожної моделі.

### Розташування ідентифікаційної етикетки

Етикетка, на якій вказано номер моделі, знаходиться ззаду на підставці для телевізора.

### Утилізація підставки для телевізора



**Утилізація старого електричного та електронного обладнання (застосовується в Європейському союзі та інших європейських країнах із системами роздільного збирання сміття)**

Цей символ на виробі або на упаковці означає, що цей виріб не можна утилізувати як побутове сміття. Замість цього його потрібно здати до відповідного

приймального пункту для вторинної обробки електричного та електронного обладнання. Забезпечивши належну утилізацію цього виробу, ви допоможете запобігти негативним наслідкам для навколишнього середовища та людського здоров'я, до яких могла б призвести неправильна утилізація цього виробу. Вторинна переробка матеріалів допоможе зберегти природні ресурси. Щоб отримати докладнішу інформацію щодо вторинної переробки цього виробу, зверніться до місцевих органів влади, до служби утилізації побутових відходів або до магазину, де було придбано цей виріб.

## ЗАСТЕРЕЖЕННЯ

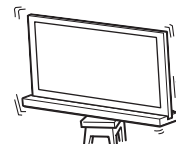
**Якщо не дотримуватися наведених нижче застережних заходів, це може призвести до серйозних травм чи смерті внаслідок пожежі, ураження електричним струмом, перекидання виробу чи його падіння.**

### Обов'язково вживіть заходів, щоб запобігти перекиданню підставки для телевізора.

Якщо це не зробити, телевізор може перекинутися, що призведе до травмування. Прикріпіть підставку для телевізора до полиці тощо, щоб запобігти перекиданню.

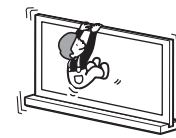
### Обов'язково встановлюйте підставку для телевізора на стійкій поверхні.

Якщо встановити її на нестійкій поверхні, підставка може перекинутися або впасти. Це може стати причиною травмування або пошкодження майна.



### Не притуляйтеся до телевізора, встановленого на підставці, і не вішайте на нього жодні предмети.

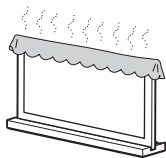
Підставка може перекинутися або телевізор може впасти, що призведе до серйозного травмування або смерті.





## Не накривайте вентиляційні отвори телевізора.

Вентиляційні отвори на телевізорі необхідні, щоб забезпечити його надійну роботу та захистити від перегрівання.



- Не блокуйте та не накривайте вентиляційні отвори тканиною або іншими матеріалами.
- Не допускайте попадання у вентиляційні отвори рідин або твердих об'єктів.

## Не ставте на телевізор об'єкти, наповнені рідиною, наприклад вази або рослини в горщиках.

## Не використовуйте підключений до електроживлення телевізор біля води, наприклад біля ванної, умивальника, кухонної мийки, пральної машини, у вологому підвалі, біля басейну тощо.

## Не встановлюйте телевізор у місцях, які піддаються дії надвисоких або наднизьких температур, наприклад під прямим сонячним промінням, біля батареї або отвору системи обігріву.

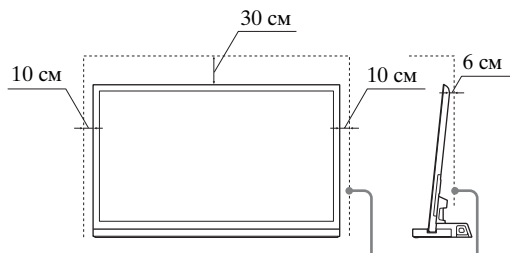
У таких умовах телевізор може перегріватися, що може призвести до деформації корпусу та/або несправності телевізора.

## Не встановлюйте телевізор на шляху струменя повітря від кондиціонера.

У середині може конденсуватися волога, яка може призвести до несправності телевізора.

## Забезпечте наявність достатнього місця навколо телевізора для циркуляції повітря.

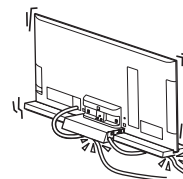
Лишіть достатньо місця навколо телевізора, як показано нижче.



Лишіть принаймні стільки місця навколо телевізора.

## Шнур живлення змінного струму

- Використовуйте лише шнури живлення виробництва компанії Sony (з комплекту постачання), а не інших виробників.
- Слідкуйте за тим, щоб не затиснути шнур живлення змінного струму або з'єднувальний кабель під час встановлення телевізора на підставці. Якщо шнур живлення змінного струму або з'єднувальний кабель пошкоджено, це може стати причиною пожежі або ураження електричним струмом.
- Не наступайте на шнур живлення змінного струму або з'єднувальний кабель під час перенесення підставки для телевізора. Шнур живлення змінного струму або з'єднувальний кабель може бути пошкоджено, що може стати причиною пожежі або ураження електричним струмом.
- Якщо перечепитися через шнур живлення змінного струму або з'єднувальний кабель, підставка для телевізора може перекинутися та призвести до травмування.
- Якщо відключити кабель живлення від електричної розетки, підставку для телевізора буде повністю обезживлено.



## ПРИМІТКА ЩОДО АДАПТЕРА ЖИВЛЕННЯ

### Попередження

Щоб зменшити ризик займання або ураження електричним струмом, не піддавайте цей апарат дії вологи, зокрема дощу.

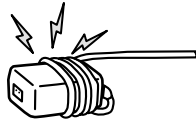
Щоб уникнути небезпеки займання або ураження струмом, не ставте на апарат предмети, наповнені рідиною, наприклад вази.

Не встановлюйте апарат в обмеженому просторі, наприклад на книжковій полиці.

- Переконайтеся, що поблизу апарата є електрична розетка, до якої забезпечено легкий доступ.

(Продовження)

- Обов'язково використовуйте адаптер і шнур живлення з комплекту постачання.
- НЕ використовуйте інших адаптерів живлення. Це може призвести до несправності.
- Підключіть адаптер живлення до легкодоступної електричної розетки.
- Не намотуйте шнур живлення на адаптер живлення. Дріт усередині шнура може пошкодитися й спричинити несправність телевізора.
- Не торкайтеся адаптера живлення мокрими руками.
- Якщо адаптер живлення виглядає незвично, негайно від'єднайте його від електричної розетки.
- Телевізор не від'єднується від джерела живлення, доки він підключений до електричної розетки, навіть якщо сам телевізор вимкнено.



## УВАГА

Якщо не дотримуватися наведених нижче застережних заходів, це може призвести до серйозних травм чи пошкодження майна.

## Не встановлюйте будь-яких інших пристроїв, крім зазначеного виробу.

Ця підставка для телевізора призначена для використання лише з зазначеним виробом. Якщо встановити обладнання, яке тут не вказано, воно може впасти або зламатися та завдати травм. Ілюстрації, наведені в цьому посібнику, стосуються моделі KDL-46NX71□, якщо не зазначено інше.

## Обов'язково надійно закріпіть телевізор.

Прикріпіть телевізор до підставки за допомогою гвинтів, що входять до комплекту постачання. Якщо телевізор встановлено ненадійно, він може впасти або підставка може перекинутися й завдати травм.

## Примітки щодо встановлення

Не встановлюйте підставку для телевізора під кутом або нахилом. Щоб уникнути цього, дотримуйтеся наведених нижче застережних заходів.

Якщо підставка для телевізора встановлюється на м'якій поверхні, наприклад на підстилці або килимі, покладіть на визначене місце дошку.

- Не встановлюйте підставку для телевізора в місці, що піддається впливу прямого сонячного світла, або поруч з обігрівачем.
- Не встановлюйте підставку для телевізора в місці з підвищеною вологістю чи температурою або надворі.

## Примітка щодо використання

### Чищення

Для забезпечення чистоти підставки для телевізора час від часу витирайте її сухою м'якою тканиною. Складні для усунення плями можна витерти тканиною, злегка змоченою в м'якому мильному розчині. Після цього обов'язково протріть оброблене місце сухою м'якою тканиною. Не використовуйте хімікати, зокрема розчинник або бензин, оскільки вони можуть пошкодити покриття підставки для телевізора.

## Установлення мають виконувати обов'язково дві або більше осіб.

Установлювати телевізор на підставку мають обов'язково дві або більше осіб. Якщо встановлення виконує одна особа, це може стати причиною нещасного випадку або травмування.

## Не змінюйте конструкцію підставки для телевізора.

Інакше вона може впасти та травмувати оточуючих.

## Обов'язково надійно встановлюйте телевізор відповідно до інструкцій.

Міцно закручуйте гвинти. Якщо телевізор встановлено ненадійно, він може впасти та завдати травм.

## Стежте за тим, щоб не травмувати руки чи пальці під час збирання.

- Не пересувайте підставку для телевізора, тримаючи її за підпору.
- Під час встановлення телевізора будьте обережними, щоб не поранити пальці чи руки.

## ЗАХОДИ БЕЗПЕКИ

### Щодо джерел живлення

- Якщо підставка для телевізора не буде використовуватися впродовж тривалого часу, обов'язково від'єднайте шнур живлення підставки для телевізора від електричної розетки. Від'єднуючи шнур живлення змінного струму, тягніть за штепсель, а не за сам шнур.
- Шнур живлення змінного струму можна замінити лише у кваліфікованому сервісному центрі.

## Щодо експлуатації

Перед підключенням інших компонентів обов'язково вимкніть підставку для телевізора та відключіть її від електричної розетки.

---

## Авторські права

Ця підставка для телевізора використовує технології Dolby\* Digital та Pro Logic Surround і DTS\*\* Digital Surround System.

\* Виготовлено за ліцензією Dolby Laboratories. Dolby, Pro Logic і символ подвійного D є торговельними марками Dolby Laboratories.

\*\* Вироблено за ліцензією, захищеною патентами США №: 5451942; 5956674; 5974380; 5978762; 6487535 та іншими патентами США та інших країн, що видані чи очікуються. DTS і Symbol є зареєстрованими торговельними марками, а DTS Digital Surround і емблеми DTS — торговельними марками корпорації DTS, Inc. Продукт містить програмне забезпечення. © DTS, Inc. Усі права захищено.

У цій підставці для телевізора застосовано технологію High-Definition Multimedia Interface (HDMI™).

HDMI, емблема HDMI і High-Definition Multimedia Interface є торговельними марками або зареєстрованими торговельними марками HDMI Licensing LLC в США та інших країнах.

«BRAVIA» є торговельною маркою Sony Corporation.



**Примітка щодо виймання підставки для телевізора з коробки**

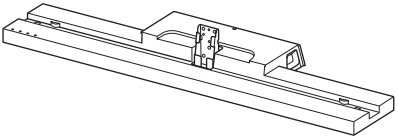
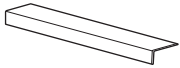
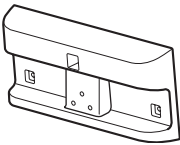
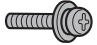

Обов'язково тримайте підставку для телевізора та переносьте її з обережністю.

**Визначте місце встановлення та покладіть підставку для телевізора, перш ніж установлювати телевізор.**

Оскільки телевізор важкий, рекомендовано заздалегідь визначити місце встановлення та збирати підставку для телевізора на місці.

Зверніться до інструкцій з експлуатації, що входять до комплекту постачання телевізора, щоб дізнатися, як від'єднати від телевізора настільну стійку.

# Крок 1. Перевірка деталей

Назва	К-ть
Підставка 	1
Задня кришка* 	2
З'єднувач 	1
Гвинт для закріплення підпори підставки для телевізора (PSW5 × 16) чорний (× 3) Гвинт для з'єднувача (PSW5 × 16) чорний (× 3) 	6
Адаптер змінного струму	
Шнур живлення змінного струму	
Високошвидкісний шнур HDMI	1
Фіксатор кабелю 	1
Посібник з експлуатації	1
Гарантійний формуляр	

\* Лише для моделі SU-B550S.

**ЗАСТЕРЕЖЕННЯ**

Якщо затиснути шнур живлення змінного струму під деталями обладнання або між ними, це може стати причиною короткого замикання або ураження електричним струмом. Якщо перечепитися через шнур живлення змінного струму або з'єднувальний кабель, підставка для телевізора може перекинутися та призвести до травмування.

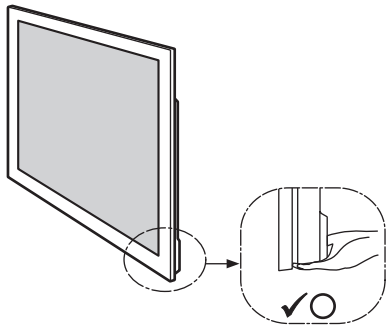
## Крок 2. Установлення телевізора

### Перед збиранням

- Перед збиранням обов'язково переконайтеся, що маєте хрестову викрутку, яка підходить для гвинтів.
- Використовуючи електричну викрутку, установіть для обертового моменту значення приблизно 1,5 Н·м {15 кгс·см}.

### 1 Пересуваючи телевізор, утримуйте його за вказану частину.

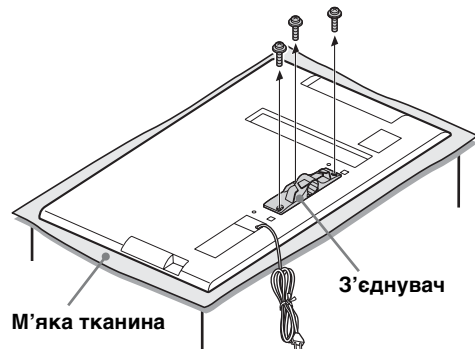
Обов'язково тримайте телевізор, як показано:



- Пересуваючи телевізор вручну, утримуйте його, як показано вище. Не тисніть на РК-панель і рамку навколо екрана.

### 2 Викрутіть гвинти зі з'єднувача на задній панелі телевізора.

Потягніть з'єднувач вниз, щоб від'єднати його.



- Зберігайте викручені гвинти.
- Від'єднуючи від екрана настільну стійку, покладіть його лицьовою стороною вниз на стійку робочу поверхню, розмір якої більший за розмір екрана.
- Щоб поверхня рідкокристалічного дисплея не пошкодилася, обов'язково постеліть м'яку тканину на робочу поверхню.

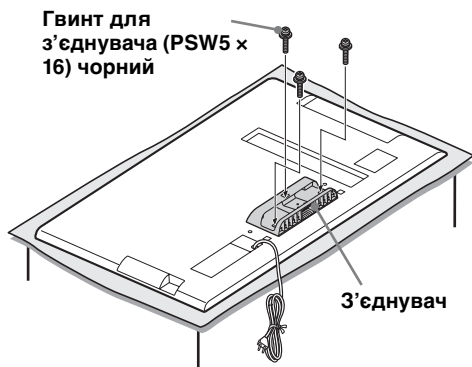
### УВАГА

- Якщо надавити на поверхню екрана або вдарити її, рідкокристалічний дисплей може зламатися або пошкодитися.
- Покладіть екран лицьовою стороною вниз на стійку рівну поверхню, щоб настільна стійка звисала за край поверхні.  
Якщо лицева сторона екрана та настільна стійка перебуватимуть на одній поверхні, умови роботи будуть нестабільні, що може призвести до пошкодження екрана.

(Продовження)

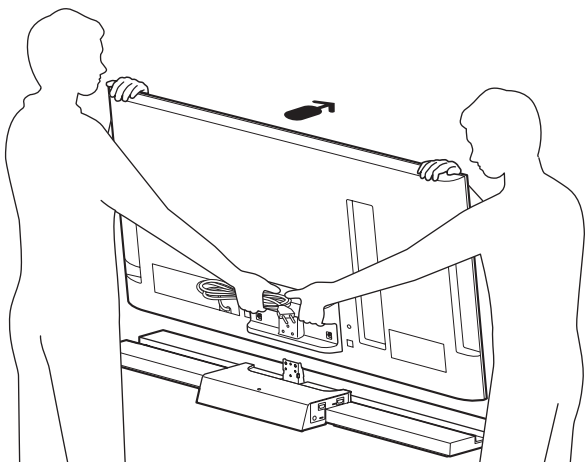
### 3 Приєднайте з'єднувач із комплекту постачання до задньої панелі телевізора за допомогою трьох чорних гвинтів (PSW5 × 16) (входять до комплекту постачання).

Посуньте з'єднувач із комплекту постачання вгору, щоб приєднати його.



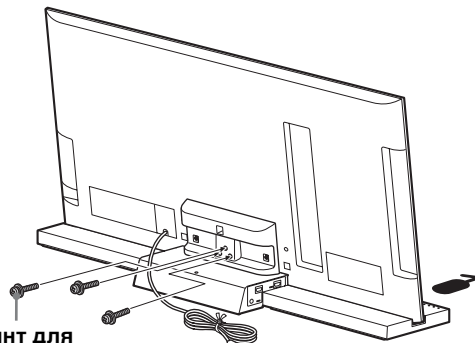
### 4 Установіть телевізор на підставці для телевізора.

Щоб установити телевізор, поставте його в паз підставки.



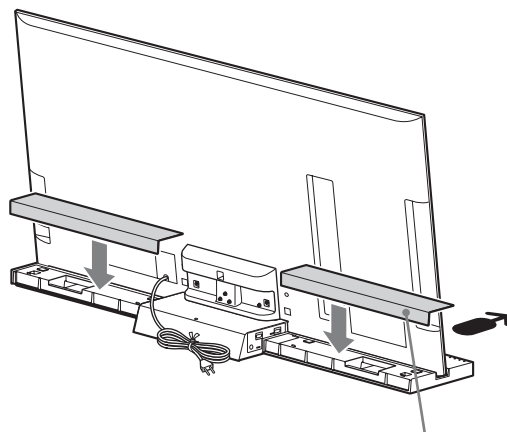
← Передня частина підставки для телевізора розташована в напрямку стрілки.

### 5 Зафіксуйте телевізор і підставку для телевізора трьома чорними гвинтами для закріплення підпори підставки для телевізора (PSW5 × 16) (входять до комплекту постачання).



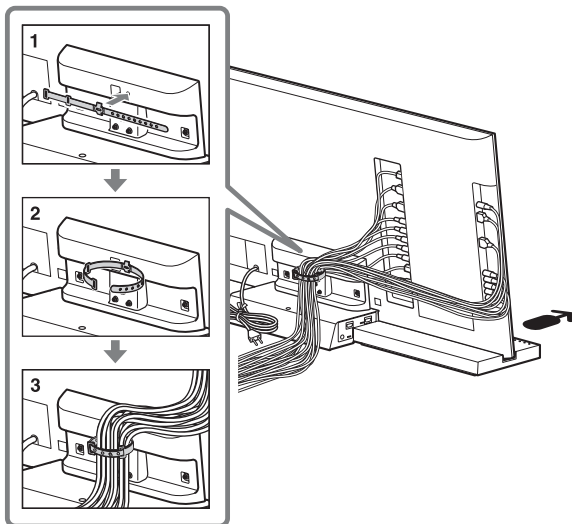
Гвинт для закріплення підпори підставки для телевізора (PSW5 × 16) чорний

### 6 Прикріпіть задню кришку до підставки для телевізора. (Лише для моделі SU-B550S)



Задня кришка

## 7 Зв'язування шнурів.

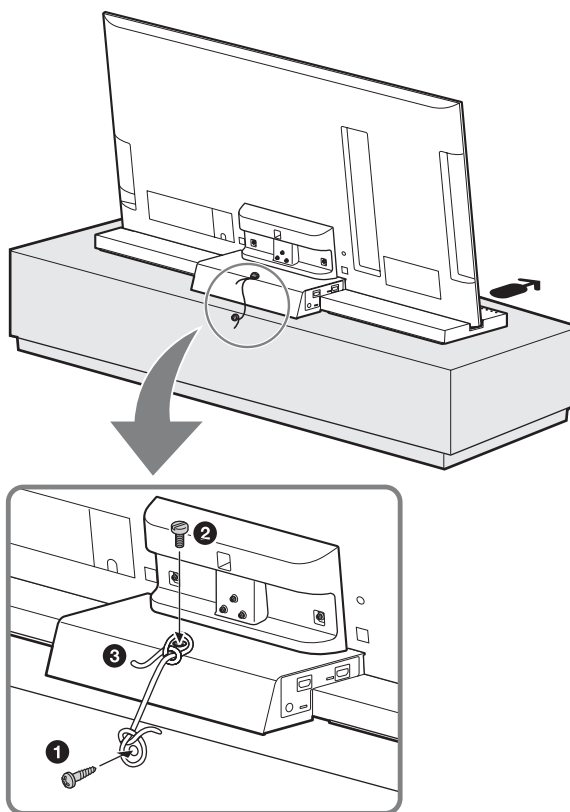


- Не зв'язуйте шнур живлення змінного струму разом з іншими шнурами.

## Крок 3. Заходи безпеки для запобігання перекиданню

### ЗАСТЕРЕЖЕННЯ

Обов'язково вживіть заходів, щоб запобігти перекиданню підставки для телевізора, яке може стати причиною травмування, а також пошкодження майна.

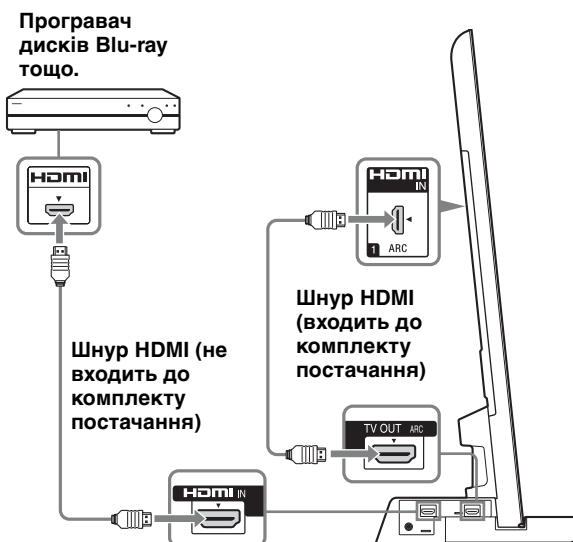


- ❶ Вкрутіть шуруп (діаметром 4 мм, не додається) у дошку.
- ❷ Вкрутіть гвинт кріплення (M4 × 16, не додається) в отвір для гвинта на підставці під телевізор.
- ❸ Зв'яжіть шуруп і гвинт кріплення міцним шнуром (не додається).

## Крок 4. Підключення телевізора до програвача

### Підключіть телевізор з HDMI-гніздом до підставки для телевізора за допомогою шнура HDMI.

Підключення обладнання Sony, що підтримує функцію «BRAVIA» Sync, за допомогою шнура HDMI спрощує процес роботи завдяки можливості використання функції керування телевізором по HDMI.



- Підставка для телевізора підтримує функцію Audio Return Channel (ARC). У разі підключення підставки для телевізора до HDMI-гнізда ARC-сумісного телевізора шнуром HDMI не потрібно підключати телевізор до підставки для телевізора цифровим оптичним кабелем.
- Ви побачите букви «ARC» поряд з HDMI-гніздом телевізора, якщо він підтримує функцію ARC. Навіть якщо підключити шнур HDMI у гніздо, якщо вхідне HDMI-гніздо не підтримує функцію ARC, нею неможливо буде скористатися.
- Функція ARC діє лише тоді, коли ввімкнено функцію «Контроль по HDMI».



- Навіть якщо підставку для телевізора вимкнено (активний режим очікування), сигнал HDMI надсилатиметься від приєднаного обладнання на телевізор через з'єднання HDMI. Можна переглядати зображення та прослуховувати звук, що надходять з обладнання, за допомогою телевізора.

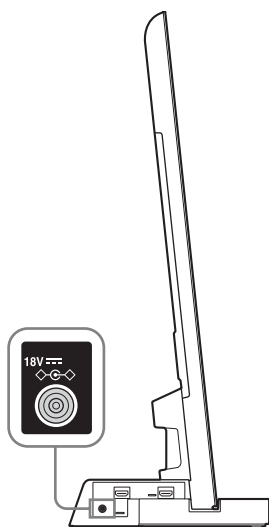
### Примітки щодо підключень HDMI

- Користуйтеся високошвидкісним шнуром HDMI. Якщо використовується стандартний шнур HDMI, належне відображення зображень у режимах 1080p, Deep Colour або 3D може бути неможливим.
- Рекомендуємо використовувати ухвалений шнур HDMI.
- Якщо якість зображення погана або відсутній звук з обладнання, що приєднане за допомогою шнура HDMI, перевірте настройки приєданого обладнання.
- Аудіосигнали (частота дискретизації, довжина в бітах тощо), що передаються з гнізда HDMI, можуть стримуватися приєднаним обладнанням.
- Звук може перериватися під час перемикання частоти дискретизації або кількості каналів вихідних аудіосигналів, що надходять з обладнання, яке відтворює звук.
- Якщо підключене обладнання не підтримує технологію захисту авторських прав (HDCP), зображення та/або звук із гнізда вихідного сигналу HDMI TV OUT можуть бути викривленими або не виводитися взагалі. У такому разі слід перевірити характеристики підключеного обладнання.
- Ми не рекомендуємо використовувати кабель перетворення HDMI-DVI.
- Ця система підтримує передавання даних у режимах Deep Colour, «x.v.Colour» та 3D.



## Крок 5. Підключення шнура живлення змінного струму

Перед підключенням шнура живлення змінного струму підставки для телевізора до електричної розетки під'єднайте до підставки для телевізора все інше обладнання та телевізор.



- Підключіть підставку для телевізора до легкодоступної розетки змінного струму. У разі виявлення відхилень у роботі підставки для телевізора негайно від'єднайте головний штепсель від розетки змінного струму.

## Крок 6. Налаштування параметрів телевізора

### 1 Установіть для функції «Контроль по HDMI» значення «Вкл.».

Натисніть кнопку HOME на пульті дистанційного керування телевізора й виберіть меню, як описано нижче.

🗑️ Установки > 📺 Внешние входы > Настройка HDMI > Контроль по HDMI > Вкл.

### 2 У меню «Динамики» виберіть значення «Аудиосистема».

Натисніть кнопку HOME на пульті дистанційного керування телевізора й виберіть меню, як описано нижче.

🗑️ Установки > 🗣️ Звук > Динамики > Аудиосистема

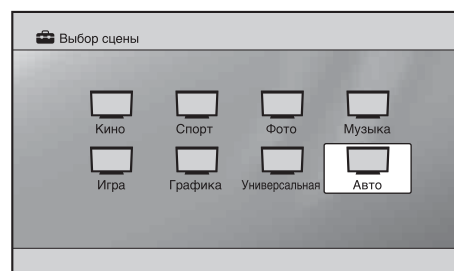


- Після завершення налаштування згідно із процедурою 1 та 2 індикатор I (живлення) світитиметься зеленим.



### • Режим «Выбор сцены»

Ця підставка для телевізора автоматично синхронізується з параметрами звуку телевізора та працює з функцією «Выбор сцены», щоб можна було вибрати потрібний звук для вибраної сцени. Щоб змінити звук, змініть параметри звуку телевізора.



Перед використанням цього режиму налаштуйте на телевізорі наведені нижче параметри.

# Пошук і усунення несправностей

## Звук

Відсутній звук.

- Перевірте підключення шнура HDMI.
- Перевірте значення параметра «Контроль по HDMI» та «Аудиосистема» у кроці 6 (стор. 11).

Використання з навушниками:

- Змініть значення параметра «Динамики» з «Аудиосистема» на «Динамик ТВ».

Використання з подвійним звуком цифрової телевізійної трансляції:

- Залежно від трансляції звук може не перемикатися. Змініть значення параметра «Оптический выход» у меню налаштування телевізора з «Авто» на «PCM».

Використання за допомогою зовнішнього обладнання для двоканального звуку:

- Якщо переключити звук не вдається, активуйте для параметра аудіовиходу на зовнішньому обладнанні значення PCM.

## Індикатор

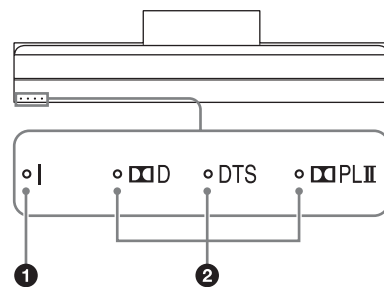
Хоча живлення підставки для телевізора ввімкнено, індикатор **I** (увімкнення живлення) підставки для телевізора не світиться:

- Перевірте підключення шнура живлення змінного струму тощо.
- Зверніться до служби підтримки клієнтів.

Індикатор **I** (увімкнення живлення) блимає червоним:

- Можливо, у цьому виробі виникла несправність. Перевірте кількість спалахів світлодіодного індикатора та зверніться до сервісного центру Sony.

# Індикатор



## 1 Індикатор I (увімкнення живлення)

Блимає, як зазначено нижче.

Зелений: живлення підставки для телевізора ввімкнено. (У меню «Динамики» встановлено значення «Аудиосистема».)

Не світиться: підставку для телевізора або живлення вимкнено.

## 2 Індикатори звукового формату

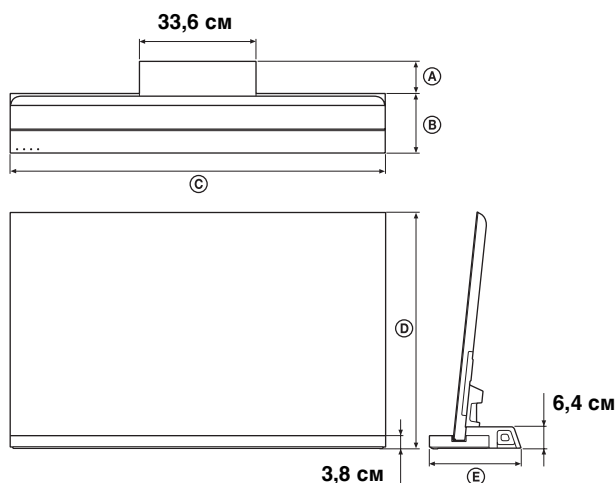
Світяться відповідно до звукового формату, який вводиться на підставку для телевізора.

□D: Dolby Digital

DTS

□PLII: Dolby Pro Logic II

# Технічні характеристики



		SU-B550S	SU-B460S	SU-B400S
Габаритні розміри: см	Ⓐ	8,1	9,3	10
	Ⓑ	20	17,2	16,1
	Ⓒ	127,6	108,3	94,4
	Ⓓ	79,3	68,4	60,6
	Ⓔ	28,1	26,5	26,1
Вага підставки:		5,8 кг	5,4 кг	5,1 кг

## Підсилювач

Номінальна вихідна потужність

Фронтальні: 10 Вт + 10 Вт,  
(на канал) 12 Ом, 1 кГц, THD  
менше 1%

Сабвуфер: 20 Вт, 6 Ом, 100 Гц,  
THD менше 1%

## Розділ HDMI

Штекер

Штекер HDMI™

Відеовходи/  
-виходи

640 × 480p@60 Гц  
720 × 480p@59,94/60 Гц  
1280 × 720p@59,94/60 Гц  
1920 × 1080i@59,94/60 Гц  
1920 × 1080p@59,94/60 Гц  
720 × 576p@50 Гц  
1280 × 720p@50 Гц  
1920 × 1080i@50 Гц  
1920 × 1080p@50 Гц  
1920 × 1080p@24 Гц  
Deep Colour: 30 біт/36 біт

Відеовходи/  
-виходи (3D)

1280 × 720p@59,94/60 Гц  
Заповнення кадру  
1920 × 1080i@59,94/60 Гц  
Заповнення кадру  
1920 × 1080i@59,94/60 Гц  
Паралельне розташування  
(половина)  
1920 × 1080p@59,94/60 Гц  
Паралельне розташування  
(половина)  
1280 × 720p@50 Гц  
Заповнення кадру  
1920 × 1080i@50 Гц  
Заповнення кадру  
1920 × 1080i@50 Гц  
Паралельне розташування  
(половина)  
1920 × 1080p@50 Гц  
Паралельне розташування  
(половина)  
1920 × 1080p@24 Гц  
Заповнення кадру  
Deep Colour: 30 біт/36 біт  
Linear PCM 7.1 каналів/  
Dolby Digital/DTS

Аудіовходи

## Динаміки

### Фронтальний динамік

Система динаміків 2 смуги, 3 гучномовці, з  
фазоінвертором

Динамік

НЧ-динамік: 30 × 82 мм,  
конічний × 2

ВЧ-динамік: 14 мм, купольного  
типу

## Сабвуфер

Система динаміків Сабвуфер із фазоінвертором  
Динамік 70 мм, конічний

## Загальна інформація

Вимоги до джерела живлення

100 – 240 В, 50/60 Гц

Вимоги до енергоспоживання

Увімкнено: 12 Вт

Режим очікування: 0,7 Вт

- Енергоспоживання в режимі очікування: 0,7 Вт
- Галоїдовані інгібітори горіння не використовуються в складі певних друкованих монтажних плат.
- Понад 85 % ефективності потужності блоку підсилювача досягається завдяки повнофункціональному цифровому підсилювачу S-Master.

Конструкція та технічні характеристики можуть бути змінені без оповіщення.

## Informații de siguranță

Vă mulțumim că ați achiziționat acest produs. Produsele Sony sunt proiectate ținându-se cont de siguranță. Utilizarea incorectă poate duce la accidente grave provocate de incendiu, electrocutare, răsturnarea produsului sau căderea acestuia. Asigurați-vă că țineți cont de toate măsurile de siguranță pentru a preveni astfel de accidente.

Acest manual de instrucțiuni descrie manipularea corectă a produsului și măsurile importante de siguranță necesare pentru prevenirea accidentelor. Asigurați-vă că citiți acest manual în întregime și că utilizați corect produsul. Păstrați acest manual la îndemână, pentru referințe ulterioare.

Producătorul acestui aparat este: Sony Corporation, 1-7-1 Konan Minato-ku Tokyo, 108-0075 Japonia. Reprezentantul autorizat pentru compatibilitatea electromagnetă și conformitatea electrosecurității produselor este: Sony Deutschland GmbH, Hedelfinger Strasse 61, 70327 Stuttgart, Germania. Pentru orice problemă de service sau de garanție, vă rugăm să consultați documentele de garanție ce însoțesc aparatul.

## ATENȚIE

### Produse specifice

Acest suport de televizor este proiectat pentru a fi utilizat cu aparatele Sony menționate mai jos. Nu instalați alte produse decât cele menționate.

Produsele de mai jos sunt supuse modificării fără înștiințare, stocul poate fi epuizat sau întrerupt. De asemenea, unele modele sunt comercializate în anumite zone.

	TV color cu LCD
SU-B550S	KDL-55NX81□*
SU-B460S	KDL-46NX71□*
SU-B400S	KDL-40NX71□*

(din august 2010)

\* La denumirile modelelor, semnul „□” indică numerele și/ sau caracterele specifice fiecărui model.

### Poziția etichetei de identificare

Eticheta pentru nr. modelului se află în spatele suportului televizorului.

## Dezafectarea suportului televizorului



Dezafectarea echipamentelor electrice și electronice vechi (Se aplică pentru țările membre ale Uniunii Europene și pentru alte țări europene cu sisteme de colectare separată)

Acest simbol aplicat pe produs sau pe ambalajul acestuia, indică faptul că acest produs nu trebuie tratat ca pe un deșeu menajer. El trebuie predat punctelor de reciclare a echipamentelor electrice și electronice.

Asigurându-vă că acest produs este dezafectat în mod corect, veți ajuta la prevenirea posibilelor consecințe negative asupra mediului și a sănătății umane, dacă produsul ar fi fost dezafectat în mod necorespunzător. Reciclarea materialelor va ajuta la conservarea resurselor naturale. Pentru mai multe detalii legate de reciclarea acestui produs, vă rugăm să contactați primăria din orașul dumneavoastră, serviciul de salubritate local sau magazinul de unde ați cumpărat produsul.

## AVERTIZARE

Dacă nu respectați următoarele măsuri de precauție, se pot provoca accidente grave sau chiar decesul, ca urmare a unui incendiu, a unei electrocutări sau a răsturnării produsului.

### Asigurați-vă că luați măsurile corespunzătoare pentru a preveni răsturnarea suportului televizorului.

Dacă nu respectați aceste măsuri, este posibil ca televizorul să se răstoarne, provocând astfel accidentări. Fixați bine suportul televizorului și raftul etc., pentru a preveni răsturnarea acestuia.

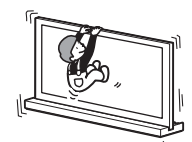
### Asigurați-vă că instalați suportul televizorului pe o suprafață stabilă.

Dacă instalați suportul televizorului pe o suprafață instabilă, este posibil ca acesta să se dezechilibreze, să se răstoarne sau să cadă. Acest lucru poate duce la accidentări sau pagube materiale.



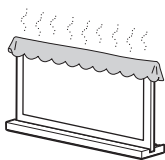
### Nu vă rezemați și nu vă agățați de televizor când acesta este instalat pe suportul televizorului.

Este posibil ca suportul televizorului să se răstoarne sau ca televizorul să cadă, provocând astfel accidentări grave sau chiar decesul.



## Nu acoperiți orificiile de ventilație ale televizorului.

Orificiile de ventilație din televizor au rolul de a asigura o funcționare optimă a aparatului și de a-l proteja împotriva supraîncălzirii.



- Nu blocați și nu acoperiți orificiile de ventilație cu bucăți de materiale sau alte astfel de obiecte.
- Asigurați-vă că nu pătrund niciodată lichide sau obiecte solide în orificiile de ventilație.

## Nu așezați pe televizor obiecte care conțin lichid, cum ar fi vasele sau plantele în ghiveci.

## Nu utilizați niciodată un televizor alimentat de la rețea în apropierea apei; de exemplu: în apropierea unei căzi, a unei chiuvete, într-un beci umed sau lângă piscină etc.

## Nu instalați televizorul în locuri cu temperaturi extreme, cum ar fi lumina solară directă, în apropierea unui calorifer sau a unei aeroterme.

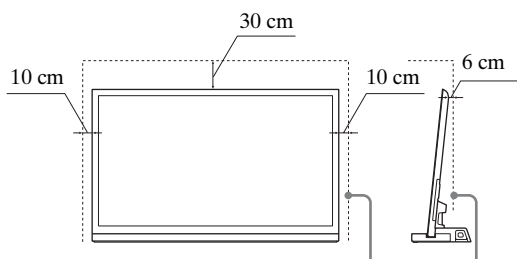
Este posibil ca televizorul să se supraîncălzească în astfel de condiții, lucru ce poate duce la deformarea carcasei și/sau la defectarea televizorului.

## Nu instalați televizorul într-un loc expus direct la sistemul de aer condiționat.

Este posibil ca umezeala să formeze condens în interior, ceea ce poate defecta televizorul.

## Lăsați un spațiu adecvat în jurul televizorului, pentru a asigura o bună circulație a aerului.

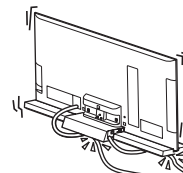
Lăsați un spațiu adecvat în jurul televizorului, așa cum se poate observa mai jos.



Lăsați cel puțin atât spațiu în jurul televizorului.

## Cablu de alimentare la c.a.

- Conectați televizorul la o priză cu împământare, folosind un ștecher cu fișă de împământare și trei conductori.
- Folosiți numai cablurile de alimentare la c.a. furnizate de Sony, nu de la alți producători.
- Asigurați-vă întotdeauna că nici cablul de alimentare de c.a. și nici cel de conectare nu sunt strangulate când instalați televizorul pe suportul acestuia. În cazul în care cablul de alimentare la c.a. sau cel de conectare este deteriorat, acest lucru poate provoca un incendiu sau o electrocutare.
- Nu pășiți pe cablul de alimentare la c.a. sau pe cel de conectare atunci când transportați suportul televizorului. Cablul de alimentare la c.a. sau cel de conectare poate fi deteriorat, iar acest lucru poate provoca un incendiu sau o electrocutare.
- În cazul în care vă împiedicați de cablul de alimentare la c.a. sau de cel de conectare, este posibil ca suportul televizorului să se răstoarne, provocând astfel accidente.
- Deconectarea cablului de alimentare la c.a. de la priză de perete va anula complet alimentarea electrică de la suportul televizorului.

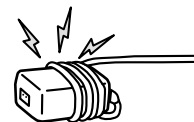


## OBSERVAȚII PRIVIND adaptorul de c.a.

### Avertizare

Pentru a reduce riscul de incendii sau electrocutări, nu lăsați acest aparat în ploaie sau umezeală. Pentru a preveni incendiile sau electrocutările, nu așezați pe aparat obiecte care conțin lichid, cum ar fi vasele. Nu instalați acest aparat într-un spațiu închis, cum ar fi raftul unei biblioteci sau un obiect similar.

- Vă rugăm să vă asigurați că priză de alimentare la c.a. este instalată în apropierea aparatului și că este ușor de accesat.
- Asigurați-vă că folosiți numai adaptorul de c.a. și cablurile de alimentare la c.a. furnizate.
- Nu utilizați alt adaptor de c.a. Aceasta poate provoca o defecțiune.
- Conectați adaptorul de c.a. la o priză de alimentare la c.a. ușor accesibilă.
- Nu înfășurați cablul de alimentare la c.a. în jurul adaptorului de c.a. Este posibil ca firul central să se taie și/sau televizorul să se defecteze.
- Nu atingeți adaptorul de c.a. când aveți mâinile ude.
- Dacă observați o anomalie la adaptorul de c.a., deconectați-l imediat de la priză de alimentare la c.a.
- Televizorul nu este deconectat de la sursa de c.a. atâta timp cât este conectat la priză de alimentare la c.a., chiar dacă televizorul în sine a fost oprit.



## ATENȚIE

Dacă nu sunt respectate măsurile de precauție de mai jos, pot avea loc accidentări sau daune materiale.

### Nu instalați niciun alt aparat decât cel menționat.

Acest suport de televizor este proiectat pentru a fi utilizat numai cu produsul menționat. Dacă instalați alt aparat decât cel menționat, este posibil ca acesta să cadă sau să se spargă, provocând astfel accidentări. Imaginile care apar în acest manual fac referire la modelul KDL-46NX71□, numai dacă nu se menționează altfel.

### Asigurați-vă că fixați bine televizorul.

Fixați bine televizorul pe suportul acestuia, folosind șuruburile furnizate. În cazul în care televizorul nu este bine fixat, este posibil ca acesta să se răstoarne, provocând astfel accidentări.

### Observații privind instalarea

La instalare, asigurați-vă că suportul televizorului nu este înclinat. Pentru a evita această situație, țineți cont de următoarele măsuri de precauție.

Dacă instalați suportul televizorului pe o suprafață moale, cum ar fi o saltea sau un covor, așezați în prealabil o placă peste acel loc.

- Nu instalați suportul televizorului într-un loc expus luminii solare directe sau în apropierea unui radiator.
- Nu instalați suportul televizorului într-un loc excesiv de cald sau umed și nici în aer liber.

### Observație privind utilizarea

#### Curățarea

Pentru a păstra suportul televizorului curat, ștergeți-l ocazional cu o lavetă uscată și moale. Petele persistente pot fi îndepărtate ștergând aparatul cu o lavetă ușor înmuiată într-o soluție cu detergent slab. Asigurați-vă că după aceea uscați zona, ștergând cu o lavetă moale și uscată. Nu folosiți produse chimice, cum ar fi diluantul sau benzina, deoarece acestea deteriorează finisajul suportului de televizor.

### Asigurați-vă că la instalarea aparatului participă două sau chiar mai multe persoane.

Asigurați-vă că la instalarea televizorului pe suportul acestuia participă două sau chiar mai multe persoane. Dacă aparatul este instalat doar de o persoană, acest lucru poate provoca o accidentare.

### Nu modificați suportul televizorului.

Este posibil ca acesta să cadă, provocând accidentări.

### Asigurați-vă că fixați bine televizorul, respectând instrucțiunile.

Strângeți bine șuruburile. În cazul în care televizorul nu este bine instalat, este posibil ca acesta să cadă, provocând astfel accidentări.

### Asigurați-vă că nu vă accidentați mâinile sau degetele în timpul montării.

- Nu deplasați suportul televizorului ținând de secțiunea mai îngustă a acestuia.
- Asigurați-vă că nu vă accidentați degetele sau mâinile în timpul instalării televizorului.

## MĂSURI DE PRECAUȚIE

### Despre sursele de alimentare

- Dacă nu veți utiliza suportul televizorului pentru o perioadă îndelungată de timp, asigurați-vă că îl deconectați de la priza de perete. Pentru a deconecta cablul de alimentare la c.a., apucați de ștecher și niciodată de cablu.
- Cablul de alimentare la c.a. trebuie înlocuit numai la un magazin autorizat pentru service.

### Despre funcționare

Înainte de a conecta alte componente, asigurați-vă că opriți și deconectați suportul televizorului.

### Drepturi de autor

Acest suport de televizor încorporează Dolby\* Digital și Pro Logic Surround și sistemul DTS\*\* Digital Surround.

\* Fabricat sub licență de la Dolby Laboratories. Dolby, Pro Logic și simbolul dublu-D sunt mărci comerciale ale Dolby Laboratories.

\*\* Fabricat sub licență în baza patentelor S.U.A. nr.: 5.451.942; 5.956.674; 5.974.380; 5.978.762; 6.487.535 și alte patente S.U.A. sau internaționale emise sau în curs de emitere. DTS și simbolul DTS sunt mărci comerciale înregistrate, iar DTS Digital Surround și logo-urile DTS sunt mărci comerciale ale DTS, Inc. Produsul include software.

© DTS, Inc. Toate drepturile rezervate.

Acest suport de televizor încorporează tehnologia High-Definition Multimedia Interface (HDMI™).

HDMI, logo-ul HDMI și High-Definition Multimedia Interface sunt mărci comerciale sau mărci comerciale înregistrate ale HDMI Licensing LLC în Statele Unite ale Americii și în alte țări.

„BRAVIA” este o marcă comercială a Sony Corporation.

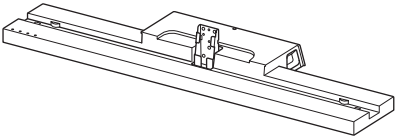

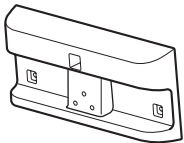




**Observație privind scoaterea suportului televizorului din cutie**

Asigurați-vă că țineți suportul televizorului cu atenție și că îl manipulați corespunzător.

Consultați instrucțiunile de utilizare furnizate cu televizorul, pentru informații despre modul de îndepărtare a suportului de masă de la televizor.

## Pasul 1: Verificarea pieselor

Denumire	Cantitate
Suport 	1
Capacul posterior* 	2
Cuplă îmbinare 	1
Șurub de atașare a secțiunii înguste a suportului televizorului (PSW5 × 16) negru (× 3) Șurub de îmbinare (PSW5 × 16) negru (× 3) 	6
Adaptor de c.a.	
Cablu de alimentare la c.a.	
Cablu HDMI de mare viteză	1
Suport cablu 	1
Manual de instrucțiuni	1
Cartelă de garanție	

\* Numai pentru modelul SU-B550S.

**AVERTIZARE**

În cazul în care cablul de alimentare la c.a. este strângut sub sau între piesele aparatului, acest lucru poate provoca un scurtcircuit sau o electrocutare. În cazul în care vă împiedicați de cablul de alimentare la c.a. sau de cel de conectare, este posibil ca suportul televizorului să se răstoarne, provocând astfel accidente.

**Decideți care va fi locația de instalare și așezați suportul televizorului înainte de instalarea televizorului.**

Deoarece televizorul este greu, se recomandă să decideți asupra locației de instalare în prealabil, după care veți monta suportul televizorului.



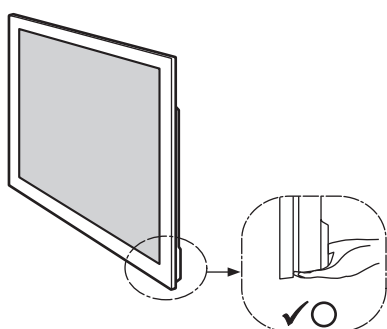
## Pasul 2: Instalarea televizorului

### Înainte de asamblare

- Înainte de asamblare, asigurați-vă că aveți la îndemână o șurubelniță cu capăt în cruce.
- Când utilizați o șurubelniță electrică, setați cuplul de torsiune la aproximativ 1,5 N·m {15 kgf·cm}.

### 1 Țineți televizorul în punctul specificat atunci când îl mutați.

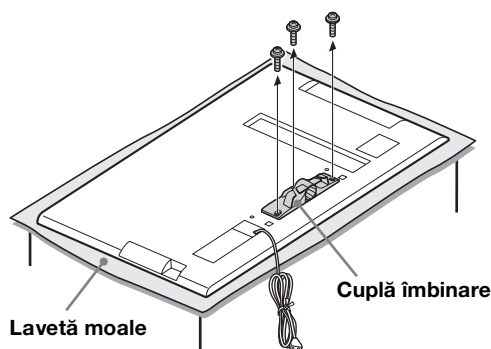
Asigurați-vă că țineți televizorul așa cum se poate observa în imagine:



- Când transportați televizorul în mână, țineți-l așa cum se poate observa în imaginea de mai sus. Nu apăsați pe ecranul LCD și nici pe cadrul din jurul ecranului.

### 2 Scoateți șuruburile din cupla de îmbinare din spatele televizorului.

Glisați cupla de îmbinare în jos, pentru a o desprinde.



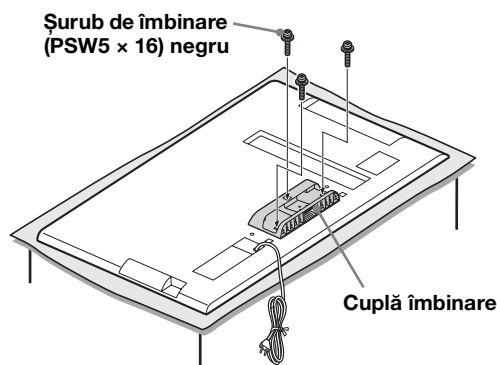
- Asigurați-vă că păstrați șuruburile scoase.
- Când îndepărtați suportul de masă de la ecran, așezați ecranul cu fața în jos pe o suprafață stabilă, care să fie mai mare decât ecranul.
- Pentru a preveni deteriorarea suprafeței ecranului LCD, asigurați-vă că așezați o bucată de material moale pe suprafața de lucru.

### ATENȚIE

- Dacă aplicați presiune pe suprafața ecranului, este posibil ca ecranul LCD să se spargă sau să se deterioreze.
- Așezați ecranul cu fața în jos pe o suprafață stabilă și nivelată, având suportul de masă agățat peste marginea suprafeței. Având fațada ecranului și baza suportului de masă pe aceeași suprafață nivelată, veți avea condiții instabile de lucru, ceea ce poate duce la deteriorarea ecranului.

### 3 Atașați cupla de îmbinare în partea din spate a televizorului, cu ajutorul celor trei șuruburi (PSW5 × 16) negre (incluse).

Glisați cupla de îmbinare în sus, pentru a o atașa.

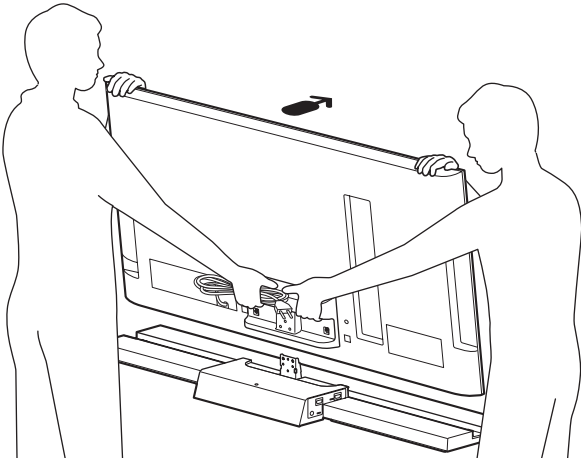


(Continuare)

7 (RO)

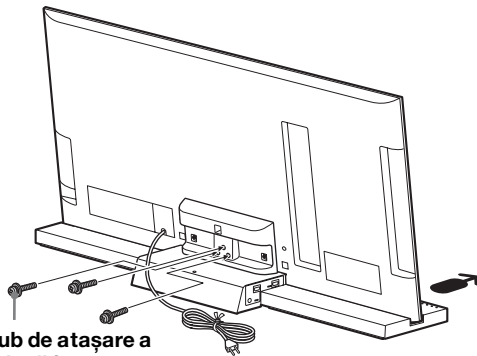
## 4 Instalați televizorul pe suportul televizorului.

Televizorul se instalează așezându-l în canelura suportului televizorului.



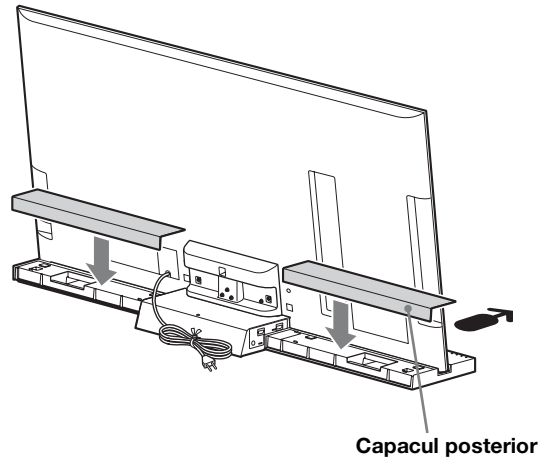
← Direcția săgeții indică partea frontală a suportului televizorului.

## 5 Fixați televizorul și suportul televizorului cu ajutorul celor trei șuruburi de atașare a secțiunii subțiri a suportului televizorului (PSW5 × 16) negre (incluse).

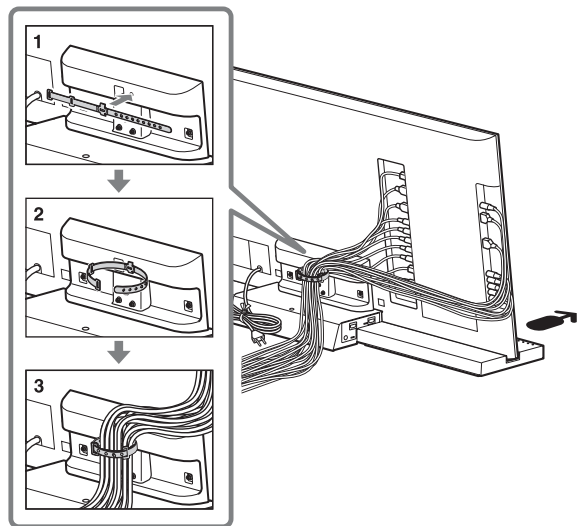


Șurub de atașare a secțiunii înguste a suportului televizorului (PSW5 × 16) negru

## 6 Atașați capacul din spate la suportul televizorului. (Numai pentru modelul SU-B550S)



## 7 Prinderea laolaltă a cablurilor.

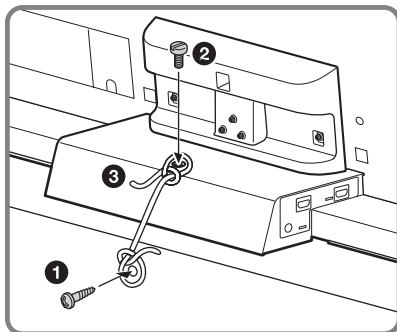
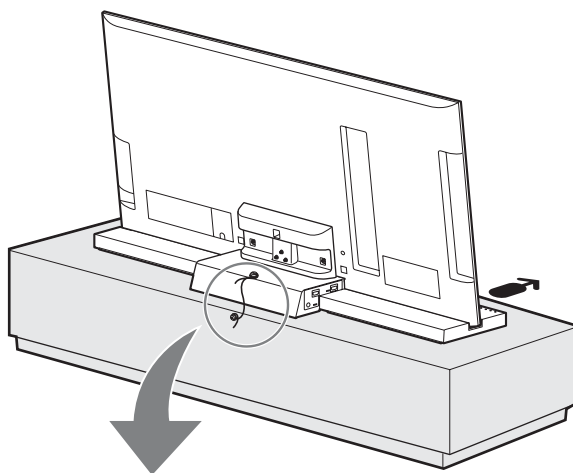


- Nu prindeți cablul de alimentare la c.a. laolaltă cu alte cabluri.

## Pasul 3: Măsuri de siguranță pentru a preveni răsturnarea

### AVERTIZARE

Asigurați-vă că luați măsurile corespunzătoare pentru a preveni răsturnarea suportului televizorului și posibilele accidentări sau pagube.

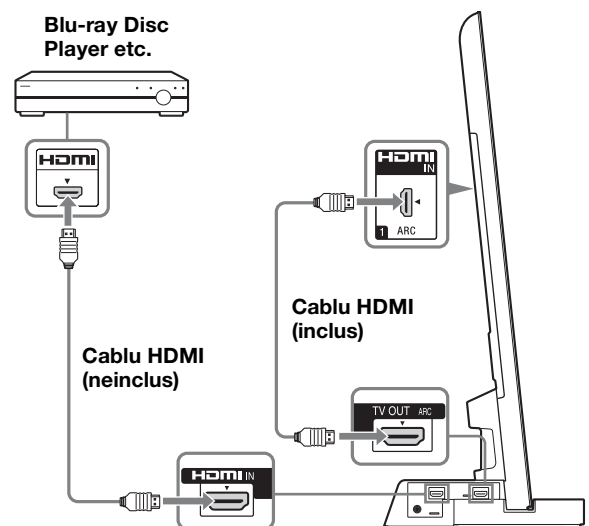


- 1 Montați un șurub pentru lemn (cu diametrul de 4 mm, neinclus) în panou.
- 2 Introduceți un șurub de fixare (M4 × 16, neinclus) în orificiul destinat acestuia din suportul televizorului.
- 3 Prindeți șurubul pentru lemn și șurubul de fixare cu un cablu rezistent (neinclus).

## Pasul 4: Conectarea televizorului și a playerului

### Conectați televizorul prevăzut cu o mufă HDMI la suportul televizorului, folosind un cablu HDMI.

Conectând componente compatibile cu Sony „BRAVIA” Sync, folosind cabluri HDMI, funcționarea se va simplifica, dacă stabiliți funcția Control pentru HDMI pentru TV.



- Suportul televizorului este compatibil cu funcția Audio Return Channel (ARC). În cazul în care conectați suportul televizorului la mufa HDMI a televizorului compatibil cu ARC folosind un cablu HDMI, nu trebuie să conectați televizorul la suportul acestuia folosind cablul optic digital.
- Veți observa literele „ARC” lângă mufa HDMI a televizorului, dacă acesta este compatibil cu funcția ARC. Chiar dacă veți conecta cablul HDMI la mufă, în cazul în care jackul de intrare HDMI nu este compatibil cu funcția ARC, nu veți putea folosi funcția ARC.
- Funcția ARC este disponibilă numai când este activată opțiunea Control pentru HDMI.



- Chiar dacă suportul televizorului este oprit (modul inactiv este acționat), semnalul HDMI va fi emis de la componenta conectată la televizor, cu ajutorul conexiunii HDMI. Vă veți putea bucura de imagini și sunete la televizor, recepționate de la componenta respectivă.

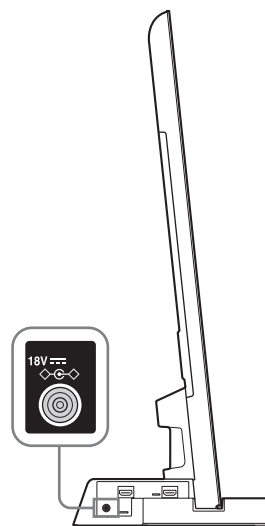
(Continuare)

### Observații privind conexiunile HDMI

- Utilizați un cablu HDMI de mare viteză. Dacă utilizați un cablu standard HDMI, este posibil ca imaginile 1080p, în culori profunde sau cele 3D să nu fie afișate corect.
- Vă recomandăm să utilizați un cablu autorizat HDMI.
- Verificați configurarea componentei conectate, dacă imaginea este de slabă calitate sau sunetul nu este emis de la o componentă conectată cu ajutorul cablului HDMI.
- Este posibil ca semnalele audio (frecvență de eșantionare, lungimea de biți etc.) transmise de la un jec HDMI să fie suprimate de componenta conectată.
- Este posibil ca sunetul să se întrerupă atunci când se comută frecvența de eșantionare sau numărul de canale al semnalelor de ieșire audio de la componenta de redare.
- Când componenta conectată este incompatibilă cu tehnologia de protecție privind drepturile de autor (HDCP), este posibil ca imaginea și/sau sunetul de la mufa HDMI TV OUT să fie distorsionat(ă) sau chiar inexistent(ă).  
În acest caz, verificați specificațiile privind componenta conectată.
- Nu recomandăm utilizarea unui cablu de conversie HDMI-DVI.
- Acest sistem acceptă transmisiile Culoare profundă, „x.v.Colour”, și 3D.

## Pasul 5: Conectarea cablului de alimentare la c.a.

Înainte de a conecta cablul de alimentare la c.a. al suportului televizorului la o priză de perete, conectați mai întâi toate celelalte componente și televizorul la suportul acestuia.



- Conectați suportul televizorului la o priză de alimentare la c.a. ușor accesibilă. Dacă observați o anomalie la suportul televizorului, deconectați imediat ștecherul de la priza de alimentare la c.a.

## Pasul 6: Efectuarea setărilor TV

### 1 Setări la „Pornit” în funcția „Control pentru HDMI”.

Apăsați pe butonul HOME de pe telecomanda televizorului și selectați meniul după cum urmează;

☑ Setări > ☑ Intrări externe > Reglaj HDMI > Control pentru HDMI > Pornit

### 2 Setări la „Sistem Audio” în meniul „Redare sunet”.

Apăsați pe butonul HOME de pe telecomanda televizorului și selectați meniul după cum urmează;

☑ Setări > 🔊 Sunet > Redare sunet > Sistem Audio



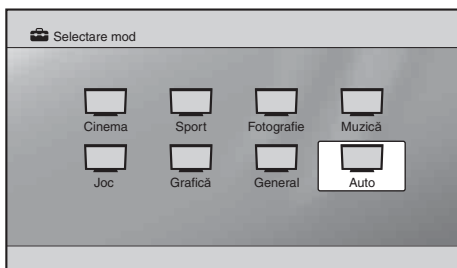
- După finalizarea setărilor pentru procedurile 1 și 2, indicatorul I (alimentare) se aprinde de culoare verde.



#### • Modul Selectare mod

Acest suport de televizor se sincronizează automat cu setările de sunet ale televizorului și funcționează împreună cu funcția Selectare mod, pentru ca dvs. să alegeți sunetul preferat pentru scena selectată.

Pentru a modifica sunetul, schimbați setările de sunet TV.



Înainte de a folosi acest mod, asigurați-vă că efectuați următoarele setări la televizor.

## Depanare

### Sunet

Fără sunet:

- Verificați conexiunea cablului HDMI.
- Verificați setările pentru opțiunea „Control pentru HDMI” și „Sistem Audio” de la Pasul 6 (pagina 11).

Utilizarea căștilor:

- Comutați „Sistem Audio” la „Difuzoare TV” în setarea „Redare sunet”.

Utilizare cu sunetul dual al transmisiei digitale TV:

- În funcție de transmisie, sunetul nu poate fi comutat. Comutați setarea „Ieșire optică” a televizorului de la „Auto” la „PCM”.

Utilizarea echipamentului extern pentru sunet dual:

- Dacă sunetul nu poate fi comutat, atunci comutați setarea de ieșire audio a echipamentului extern pentru a activa PCM.

### Indicator

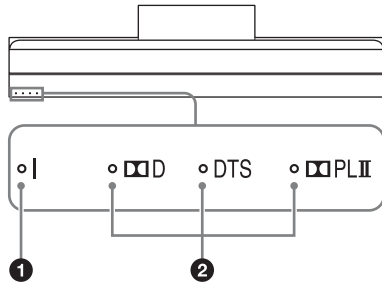
Deși televizorul este sub tensiune, indicatorul I (alimentare) al suportului televizorului nu se aprinde:

- Verificați conexiunea cablului de alimentare la c.a. etc.
- Consultați serviciile de asistență cu clienții.

Intermitent I (alimentare) indicator roșu:

- Este posibil ca acest aparat să fi suferit o defecțiune. Verificați de câte ori se aprinde LED-ul și consultați centrul Sony pentru service.

# Indicator



## 1 I indicator (alimentare)

Se aprinde după cum urmează:

Verde: suportul televizorului este sub tensiune.  
(„Sistem Audio” este setat pentru  
„Redare sunet”)

Oprit: suportul televizorului este în modul  
inactiv sau oprit.

## 2 Indicators pentru formatul audio

Se aprind în funcție de formatul audio care este  
recepționat de suportul televizorului.

□ D: Dolby Digital

DTS

□ PLII: Dolby Pro Logic II

		SU-B550S	SU-B460S	SU-B400S
Dimensiuni: cm	Ⓐ	8,1	9,3	10
	Ⓑ	20	17,2	16,1
	Ⓒ	127,6	108,3	94,4
	Ⓓ	79,3	68,4	60,6
	Ⓔ	28,1	26,5	26,1
Greutate suport:		5,8 kg	5,4 kg	5,1 kg

## Secțiune amplificator

Putere consumată Frontal: 10 W + 10 W, (pe canal)  
12 ohmi, 1 kHz, THD sub 1%  
Subwoofer: 20 W, 6 ohmi, 100 Hz,  
THD sub 1%

## Secțiune HDMI

Conector Conector HDMI™  
Intrări/ieșiri video 640 × 480p@60 Hz  
720 × 480p@59,94/60 Hz  
1280 × 720p@59,94/60 Hz  
1920 × 1080i@59,94/60 Hz  
1920 × 1080p@59,94/60 Hz  
720 × 576p@50 Hz  
1280 × 720p@50 Hz  
1920 × 1080i@50 Hz  
1920 × 1080p@50 Hz  
1920 × 1080p@24 Hz  
Culori profunde: 30 biți/36 biți

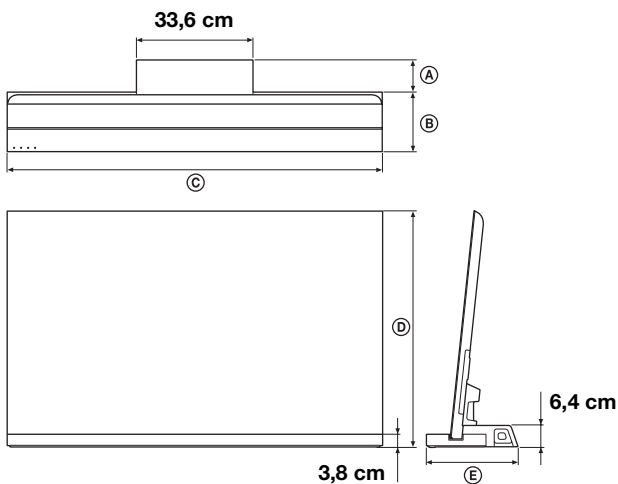
## Intrări/ieșiri video (3D)

1280 × 720p@59,94/60 Hz  
Împachetare cadre  
1920 × 1080i@59,94/60 Hz  
Împachetare cadre  
1920 × 1080i@59,94/60 Hz  
Alăturat (Jumătate)  
1920 × 1080p@59,94/60 Hz  
Alăturat (Jumătate)  
1280 × 720p@50 Hz  
Împachetare cadre  
1920 × 1080i@50 Hz  
Împachetare cadre  
1920 × 1080i@50 Hz  
Alăturat (Jumătate)  
1920 × 1080p@50 Hz  
Alăturat (Jumătate)  
1920 × 1080p@24 Hz  
Împachetare cadre  
Culori profunde: 30 biți/36 biți

## Intrări audio

PCM liniar 7.1ch/  
Dolby Digital/DTS

# Specificații



## **Redare sunet**

### **Unitate difuzor frontal**

Sistem de difuzoare

2-căi 3-driver, Reflex bas

Unitate difuzor      Woofer: 30 × 82 mm tip conic ×2  
                                 Tweeter: 14 mm tip dom

### **Unitate subwoofer**

Sistem de difuzoare

Subwoofer, Reflex bas

Unitate difuzor      70 mm tip conic

## **Generalități**

Condiții de alimentare

100 – 240 V, 50/60 Hz

Putere consumată

Pornit: 12 W

Mod așteptare: 0,7 W

- Consum în mod așteptare: 0,7 W
- Elementele de întârziere a flăcării halogenate nu se folosesc la anumite tablouri de conexiuni tipărite.
- Cu ajutorul amplificatorului complet digital, S-Master, se obțin peste 85% de eficacitate a puterii la blocul amplificator.

Designul și specificațiile pot fi modificate fără aviz prealabil.

## Относно безопасността

Благодарим ви за покупката на този продукт. Продуктите на Sony са проектирани с грижа за безопасността. Неправилната употреба може да доведе до сериозни наранявания от пожар, електрически удар, падане или изпускане на продукта. Уверете се, че спазвате предпазните мерки за безопасност, за да предотвратите такива инциденти.

Това ръководство за работа показва правилното боравене с продукта и важни предпазни мерки, необходими за предотвратяване на инциденти. Уверете се, че сте прочели това ръководство изцяло и че използвате продукта правилно. Запазете това ръководство за бъдещи справки.

Производителят на този продукт е Sony Corporation, 1-7-1 Konan Minato-ku Tokyo, 108-0075 Japan. Упълномощеният представител за EMC (електромагнитна съвместимост) и техническа безопасност на продукта е Sony Deutschland GmbH, Hedelfinger Strasse 61, 70327 Stuttgart, Germany. За въпроси, свързани със сервиза и гаранцията, моля обърнете се към адресите в съответните сервизни или гаранционни документи.

## ВНИМАНИЕ

### Указани продукти

Тази стойка е проектирана за използване с продуктите на Sony, указани по-долу. Не монтирайте други, освен указаните продукти.

Следните продукти подлежат на промяна без уведомление, може да не са налични или вече да не се произвеждат.

Освен това определени модели се продават в някои региони.

	LCD цветен телевизор
SU-B550S	KDL-55NX81□*
SU-B460S	KDL-46NX71□*
SU-B400S	KDL-40NX71□*

(От август 2010)

\* В действителните имена на моделите, "□" означава номера и/или характеристики, специфични за всеки модел.

### Местоположение на идентификационната табелка

Табелката за номера на модела е разположена отзад на стойката за телевизора.

## Изхвърляне на стойката за телевизор



Третиране на стари електрически и електронни уреди (приложимо в Европейския съюз и други Европейски страни със системи за разделно събиране на отпадъци)

Този символ върху устройството или върху неговата опаковка показва, че този продукт не трябва да се третира като домакински отпадък. Вместо това той трябва да бъде предаден в съответния събирателен пункт за рециклиране на електрически и електронни уреди. Като предадете този продукт на правилното място, Вие ще помогнете за предотвратяване на негативните последици за околната среда и човешкото здраве, които биха възникнали при изхвърлянето му на неподходящо място. Рециклирането на материалите ще спомогне да се съхранят природните ресурси. За подробна информация относно рециклирането на този продукт можете да се обърнете към местната градска управа, фирмата за събиране на битови отпадъци или магазина, откъдето сте закупили продукта.

## ПРЕДУПРЕЖДЕНИЕ

Ако не се спазват следните предпазни мерки, това може да доведе до сериозно нараняване или смърт от пожар, електрически удар или падане на продукта.

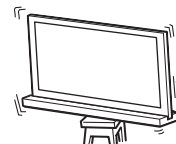
### Уверете се, че сте взели мерки против падане на стойката за телевизор.

Ако не направите това, телевизорът може да падне и да предизвика нараняване.

Закрепете стойката за телевизора, поставката и т.н., за да предотвратите падането.

### Уверете се, че монтирате стойката за телевизора на стабилна повърхност.

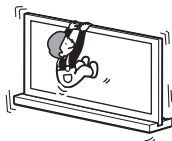
Ако монтирате стойката на телевизора на нестабилна повърхност, може да се наруши равновесието и да падне или да се преобърне. Това може да причини нараняване или повреда на собствеността.





## Не се навеждайте и не увисвайте от телевизора, когато телевизорът е поставен на стойката за телевизора.

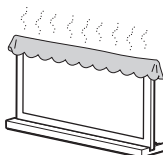
Стойката за телевизора може да се преобърне, или телевизора да падне и да причини сериозно нараняване или смърт.



## Не покривайте вентилационните отвори на телевизора.

Вентилационните отвори на телевизора са необходими за надеждната работа на телевизора и за защита от прегряване.

- Не блокирайте и не покривайте вентилационните отвори с плат или други материали.
- Никога не допускайте течност или твърди обекти да попадат във вентилационните отвори.



## Не поставяйте предмети, пълни с течност, например ваза или саксия върху телевизора.

## Не използвайте захранващия кабел на телевизора близо до вода, например в близост до вана, мивка, кухненска мивка, пералня, влажни мазета или плувни басейни и др.

## Не поставяйте телевизора на места, подложени на високи температури, като директна слънчева светлина, близо до радиатор или отоплително тяло.

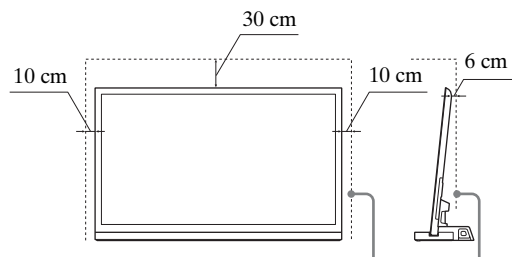
В такива условия телевизорът може да прегрее, което да причини деформация на корпуса и/или неизправност на телевизора.

## Не монтирайте телевизора на места, изложени директно на климатична система.

Във вътрешността му може да кондензира влага, което да причини неизправност на телевизора.

## Оставете достатъчно пространство около телевизора, за да осигурите правилна циркулация на въздуха.

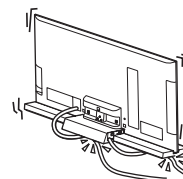
Оставете достатъчно място около телевизора, както е показано по-долу.



Оставете поне още толкова място около стойката.

## Захранващ кабел

- Свържете телевизора, като използвате трижилен щепсел със заземяване към контакт със защитно заземяване.
- Използвайте само доставения захранващ кабел на Sony, а не от други производители.
- Внимавайте да не продупчите захранващия или свързващия кабел, докато монтирате телевизора на стойката за телевизора. Ако захранващия кабел или свързващия кабел са повредени, това може да причини пожар или електрически удар.
- Не стъпвайте върху захранващия кабел или върху свързващия кабел, докато носите стойката за телевизора. Захранващият кабел или свързващият кабел може да се повредят и това може да причини пожар или електрически удар.
- Ако се спънете в захранващия кабел или в свързващия кабел, стойката за телевизора може да падне и да причини нараняване.
- Изваждането на захранващия кабел от контакта в стената ще прекъсне напълно захранването на стойката на телевизора.



## БЕЛЕЖКА ОТНОСНО променливотоковия адаптер

### Предупреждение

За да намалите опасността от пожар или електрически удар, не излагайте апарата на дъжд или влага.

За да предотвратите пожар или удар, не поставяйте предмети, пълни с вода, например вази, върху апарата.

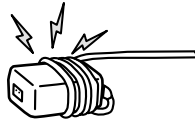
Не монтирайте това оборудване в затворено пространство, например библиотека или подобен предмет.

- Уверете се, че контакта е монтиран близо до оборудването и е лесно достъпен.

(Продължава)

3 (BG)

- Уверете се, че използвате доставените променливотокови адаптер и захранващи кабели.
- Не използвайте друг променливотоков адаптер. Това може да причини неизправност.
- Свържете променливотоковия адаптер към лесно достъпен контакт.
- Не навивайте захранващия кабел около променливотоковия адаптер. Вътрешният проводник може да се прекъсне и това да причини неизправност на телевизора.
- Не докосвайте променливотоковия адаптер с влажни ръце.
- Ако забележите нередност в променливотоковия адаптер, извадете го от контакта незабавно.
- Телевизорът и стойката не са прекъснати от източника на захранване, докато са свързани към контакта, дори ако са изключени.



## ВНИМАНИЕ

Ако следните предпазни мерки не се спазват, може да възникне нараняване или повреда на собствеността.

### Не монтирайте друго оборудване, освен указания продукт.

Тази стойка за телевизор е проектирана за използване само с указаните продукти. Ако монтирате оборудване, различно от указаното, то може да падне или да се счупи и да причини нараняване. Илюстрациите, използвани в това ръководство, показват KDL-46NX71□, освен ако не е другояче указано.

### Уверете се, че сте обезопасили телевизора.

Обезопасяване на телевизора към стойката за телевизора с доставените болтове. Ако телевизорът не е монтиран безопасно, може да падне, стойката за телевизора може да се преобърне и да причини нараняване.

### Бележки относно монтажа

Не монтирайте стойката за телевизора под ъгъл или наклонена. За да избегнете това, спазвайте следните предпазни мерки.

Ако монтирате стойката за телевизора на мека повърхност, например килим или подложка, поставете дъска върху мястото преди това.

- Не монтирайте стойката за телевизора на място, изложено на директна слънчева светлина или близо до отоплително тяло.
- Не монтирайте стойката за телевизора на горещо или влажно място, или навън.

### Бележка относно използването

#### Почистване

За да поддържате стойката за телевизора чиста, периодично я бършете с мека суха кърпа. Упоритите петна може да бъдат премахнати чрез избърсване с леко навлажнена с мек сапун кърпа. Не забравяйте за подсушете зоната с мека суха кърпа след това. Не използвайте химикали, например разтворител или бензин, защото те могат да повредят гланца на стойката на телевизора.

### Осигурете две или повече лица, които да извършат монтажа.

Осигурете две или повече лица, които да монтират телевизора на стойката за телевизора. Ако един човек извършва сам монтажа, това може да доведе до инцидент или нараняване.

### Не модифицирайте стойката за телевизора.

Тя може да падне и да причини нараняване.

### Монтирайте телевизора безопасно според инструкциите.

Затегнете здраво болтовете. Ако телевизорът не е монтиран безопасно, той може да падне и да причини нараняване.

### Внимавайте да не нараните ръцете и пръстите си по време на сглобяването.

- Не местете стойката за телевизора, като я държите за подвижната част.
- Внимавайте да не нараните пръстите или ръцете си при монтажа на телевизора.

## ПРЕДПАЗНИ МЕРКИ

### Относно източници на захранване

- Ако няма да използвате стойката за телевизора дълго време, уверете се, че сте прекъснали стойката за телевизора от контакта в стената. За да извадите захранващия кабел, хванете самия щепсел, никога не дърпайте кабела.
- Захранващият кабел трябва да се сменя само в квалифициран сервиз.

### Относно работата

Преди свързване на други компоненти, уверете се, че сте изключили и сте извадили от захранването стойката за телевизора.

---

## Авторски права

Тази стойка за телевизор включва Dolby® Digital и Pro Logic Surround, както и системата за цифров съраунд звук DTS\*\*.

\* Произведено по лиценз на Dolby Laboratories. Dolby, Pro Logic, и двойният-D символ са търговски марки на Dolby Laboratories.

\*\* Произведено по лиценз под американски патенти с номера: 5 451 942; 5 956 674; 5 974 380; 5 978 762; 6 487 535 и други американски и световни издадени или в процес на издаване патенти. DTS и Symbol са регистрирани търговски марки и DTS Digital Surround и логата на DTS са търговски марки на DTS, Inc. Продуктът включва софтуер. © DTS, Inc. Всички права запазени.

Тази стойка за телевизор включва технологията High-Definition Multimedia Interface (HDMI™).

HDMI, логото на HDMI и High-Definition Multimedia Interface са търговски марки или регистрирани търговски марки HDMI Licensing LLC в САЩ и други държави.

“BRAVIA” е търговска марка на Sony Corporation.

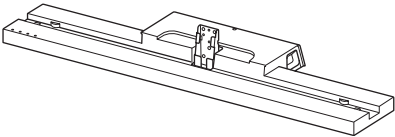

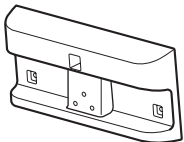
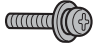
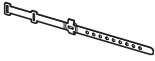


**Бележка относно изваждането на стойката за телевизора от кашона**

Уверете се, че държите и боравите със стойката за телевизора внимателно.

Вижте инструкциите за работа, доставени с телевизора за информация относно махане на поставката за маса от телевизора.

## Стъпка 1: Проверка на частите

Наименование	Количес
Стойка 	1
Заден капак* 	2
Съединителна планка 	1
Закрепващ болт на подвижната част на стойката на телевизора (PSW5 × 16) черен (× 3) Съединителен болт (PSW5 × 16) черен (× 3) 	6
Променливотоков адаптер	
Захранващ кабел	
High Speed HDMI кабел	1
Кабелен държач 	1
Ръководство за работа	1
Гаранционна карта	

\* Само за модел SU-B550S.

**ПРЕДУПРЕЖДЕНИЕ**

Ако защитете захранващия кабел под или между оборудване, това може да доведе до късо съединение или електрически удар. Ако се спънете в захранващия кабел или в свързващия кабел, стойката за телевизора може да падне и да причини нараняване.

**Изберете мястото на монтаж и поставете стойката за телевизора преди монтажа на телевизора.**

Тъй като телевизорът е тежък, препоръчително е са изберете мястото на монтажа предварително и да сглобите стойката за телевизора на място.

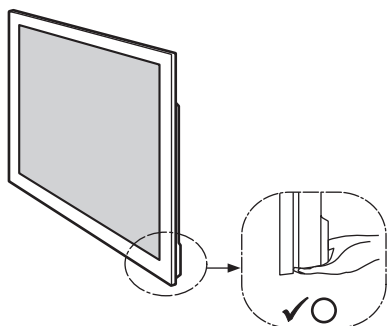
## Стъпка 2: Монтаж на телевизора

### Преди сглобяване

- Преди сглобяването осигурете отвертка Phillips, която отговаря на болтовете.
- Когато използвате електрическа отвертка, задайте настройката на въртящия момент приблизително на 1,5 N·m {15 kgf·cm}.

### 1 Дръжте телевизора за указаното място, когато го местите.

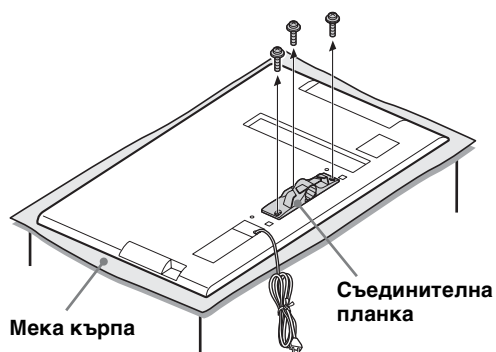
Дръжте телевизора, както е показано:



- Когато местите телевизора и стойката на ръце, дръжте ги, както е показано по-горе. Не натискайте LCD панела и рамката около екрана.

### 2 Извадете болтовете от съединителната планка в задната част на телевизора.

Плъзнете съединителната планка надолу, за да го извадите.



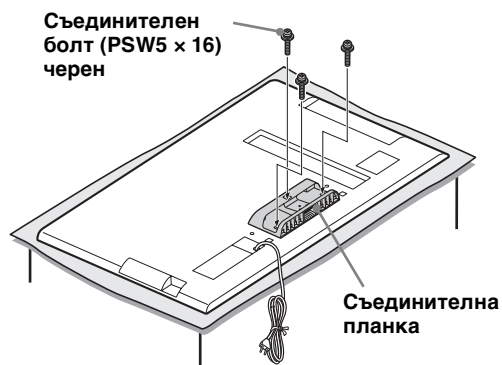
- Запазете извадените болтове.
- Когато махате поставката за маса от дисплея, сложете дисплея с лицето надолу на стабилна работна повърхност, която е по-голяма от дисплея.
- За да избегнете повреда на повърхността на LCD дисплея, поставете мека кърпа върху работната повърхност.

### ВНИМАНИЕ

- Ако повърхността на дисплея бъде изложена на натиск или удар, LCD дисплеят може да се счупи или повреди.
- Сложете дисплея с лицето надолу на стабилна и равна повърхност, като поставката за маса виси от ръба на повърхността. Ако дисплеят е с лицето нагоре и поставката за маса е на същото ниво на повърхността, това ще създаде нестабилно състояние за работа и може да повреди дисплея.

### 3 Закачете доставената съединителна планка към задната част на телевизора с трите болта (PSW5 x 16) черни (доставени).

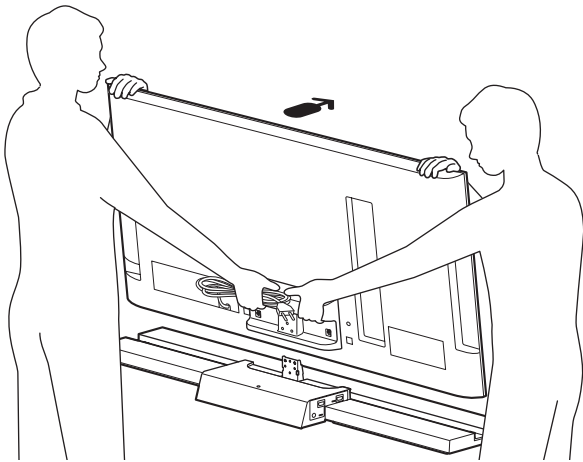
Плъзнете съединителната планка нагоре, за да я закачите.



(Продължава)

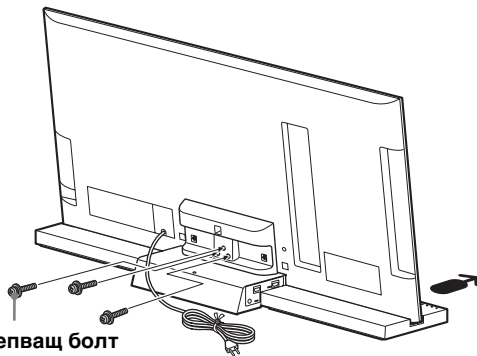
## 4 Монтирайте телевизора на стойката за телевизор.

Телевизорът се монтира, като го поставите в жлеба на стойката за телевизора.



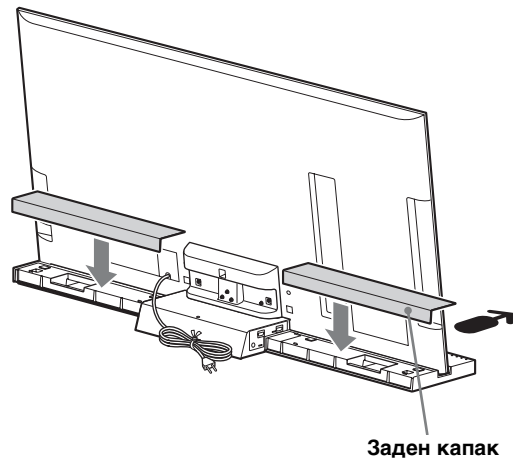
← Стрелките за посока показват предната част на стойката за телевизора.

## 5 Обезопасете телевизора и стойката за телевизора с трите закрепващи болта на подвижната част на стойката на телевизора (PSW5 × 16) черни (доставени).



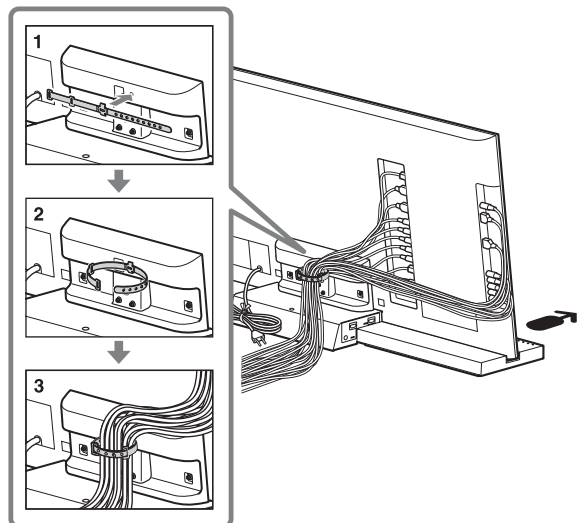
Закрепващ болт на подвижната част на стойката на телевизора (PSW5 × 16) черен

## 6 Закачете задния капак на стойката за телевизора. (Само за модел SU-B550S)



Заден капак

## 7 Събиране на кабелите.

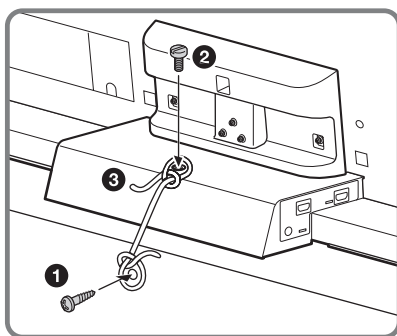
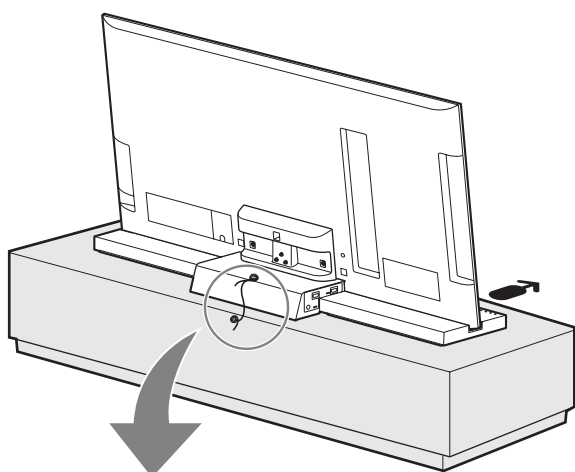


- Не събирайте захранващия кабел заедно с останалите кабели.

## Стъпка 3: Мерки за безопасност срещу преобръщане

### ПРЕДУПРЕЖДЕНИЕ

Уверете се, че сте взели мерки против преобръщане на стойката за телевизор и възможно нараняване и повреда.

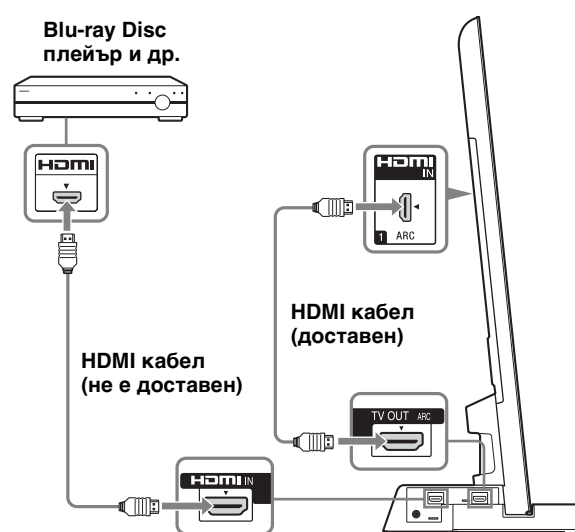


- 1 Поставете винт за дърво (4 mm диаметър, не е доставен) в дъската.
- 2 Поставете винт (M4 x 16, не е доставен) в отвора за винт на стойката за телевизора.
- 3 Затегнете винта за дърво и другия винт със здрава корда (не е доставен).

## Стъпка 4: Свързване на телевизор и плейър

### Свържете телевизора с HDMI жак към стойката за телевизора чрез HDMI кабел.

Чрез свързване на Sony "BRAVIA" Sync-съвместими компоненти с HDMI кабели, работата по настройване на функцията Управление през HDMI на телевизора се опростява.



- Стойката за телевизора е съвместима с функцията Audio Return Channel (ARC). Ако свържете стойката на телевизора към ARC съвместим HDMI жак на телевизора през HDMI кабел, не трябва да свързвате телевизора към стойката за телевизора с цифров оптичен кабел.
- Можете да видите буквите "ARC" до HDMI гнездото на телевизора, ако е съвместимо с ARC функцията. Дори ако свържете HDMI кабел към гнездото, ако входният HDMI жак не е съвместим с ARC функцията, не можете да използвате ARC функцията.
- ARC функцията е налична само, когато Управление през HDMI е включено.



- Дори ако стойката за телевизора е изключена (активен режим на готовност), HDMI сигналът ще бъде изпращан от свързаното оборудване към телевизора през HDMI връзката. Можете да се насладите на изображение и звук от оборудването на телевизора.

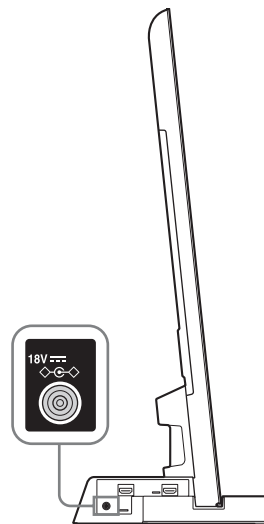
(Продължава)

### Бележки относно HDMI връзките

- Използвайте High Speed HDMI кабел. Ако използвате стандартен HDMI кабел, 1080p, “Дълбок цвят” или 3D изображенията може да не се показват правилно.
- Препоръчваме ви да използвате HDMI-одобрен кабел.
- Проверете настройката на свързаното оборудване, ако изображението е лошо или не излиза звук от оборудването, свързано през HDMI кабел.
- Аудио сигналите (честота на дискретизация, дължина на бита и др.), предавани от HDMI жак, може да се потискат от свързаното оборудване.
- Звукът може да прекъсва, когато честотата на дискретизация или броя на каналите на изходящите аудио сигнали от възпроизвеждащото оборудване са превключени.
- Когато свързаното оборудване не е съвместимо с технологията за защита на авторските права (HDCP), изображението и/или звука от HDMI TV OUT гнездото може да са изкривени или да не се извеждат.  
В този случай, проверете спецификациите на свързаното оборудване.
- Не препоръчваме използването на кабел за HDMI-DVI преобразуване.
- Тази система поддържа “Дълбок цвят”, “x.v.Colour” и 3D предаване.

## Стъпка 5: Свързване на захранващ кабел

Преди да свържете захранващия кабел на стойката за телевизора към контакта, свържете всички други компоненти и телевизора към стойката за телевизора.



- Свържете стойката за телевизора към лесно достъпен контакт. Ако забележите нередност в стойката за телевизора, извадете щепсела от контакта незабавно.



## Стъпка 6: Настройки на телевизора

### 1 Настройте на “Вкл.” функцията “Управление през HDMI”.

Натиснете бутона HOME на дистанционното на телевизора и изберете меню, както следва;

📦 Настройки > 📺 Външни входове > HDMI настройки > Управление през HDMI > Вкл.

### 2 Настройте на “Аудио система” в менюто “Говорител”.

Натиснете бутона HOME на дистанционното на телевизора и изберете меню, както следва;

📦 Настройки > 🔊 Звук > Говорител > Аудио система



- След приключване на настройките за процедура 1 и 2, индикаторът I (захранване) светва в зелено.



#### • Режим Избор на сцена

Тази стойка за телевизор е синхронизирана автоматично с настройките на звука на телевизора и работи заедно с функцията Избор на сцена, за да изберете предпочитания от вас звук за избраната сцена.

За да промените звука, променете настройките на звука на телевизора.



Преди да използвате този режим, уверете се, че на телевизора са направени следните настройки.

## Отстраняване на неизправности

### Звук

Няма звук:

- Проверете връзката на HDMI кабела.
- Проверете настройките на “Управление през HDMI” и “Аудио система” в Стъпка 6 (страница 11).

Използване със слушалки:

- Превключете “Аудио система” на “ТВ говорител” в настройката “Говорител”.

Използване с двоен звук на ТВ цифрово предаване:

- В зависимост от предаването, звукът не може да се превключва. Превключете настройката “Оптичен изход” на телевизора от “Автомат.” на “PCM”.

Използване с външно оборудване за двоен звук:

- Ако звукът не може да бъде превключван, превключете настройката за аудио изход на външното оборудване, за да активирате PCM.

### Индикатор

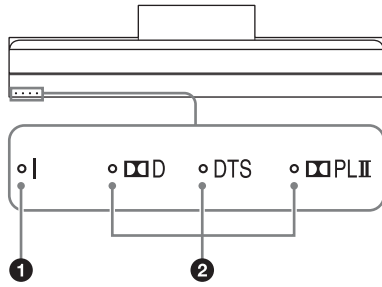
Въпреки, че телевизорът е включен, индикаторът I (захранване) на стойката на телевизора не свети:

- Проверете свързването на захранващия кабел и др.
- Свържете се със сервиз за поддръжка на клиенти.

Индикаторът I (захранване) мига в червено:

- Може да е възникнала неизправност на продукта. Проверете колко пъти мига индикаторът и се свържете със сервизен център на Sony.

# Индикатор



## 1 I (захранване) индикатор

Свети, както следва:

Зелено: Стойката на телевизора е включена.  
("Аудио система" е настроена на "Говорител".)

Изключен: Стойката на телевизора е в режим на готовност или е изключена.

## 2 Индикатори за аудио формат

Светят в зависимост от аудио формата, който влиза към стойката на телевизора.

□ D: Dolby Digital

DTS

□ PLII: Dolby Pro Logic II

		SU-B550S	SU-B460S	SU-B400S
Размери: cm	Ⓐ	8,1	9,3	10
	Ⓑ	20	17,2	16,1
	Ⓒ	127,6	108,3	94,4
	Ⓓ	79,3	68,4	60,6
	Ⓔ	28,1	26,5	26,1
Тегло на стойката:		5,8 kg	5,4 kg	5,1 kg

## Секция усилвател

Номинална изходна мощност

Преден: 10 W + 10 W, (за канал)  
12 ома, 1 kHz, THD по-малко от 1%

Субуфер: 20 W, 6 ома, 100 Hz,  
THD по-малко от 1%

## HDMI секция

Конектор HDMI™ конектор

Видео входове/изходи

640 × 480p@60 Hz  
720 × 480p@59,94/60 Hz  
1280 × 720p@59,94/60 Hz  
1920 × 1080i@59,94/60 Hz  
1920 × 1080p@59,94/60 Hz  
720 × 576p@50 Hz  
1280 × 720p@50 Hz  
1920 × 1080i@50 Hz  
1920 × 1080p@50 Hz  
1920 × 1080p@24 Hz  
Дълбок цвят: 30bit/36bit

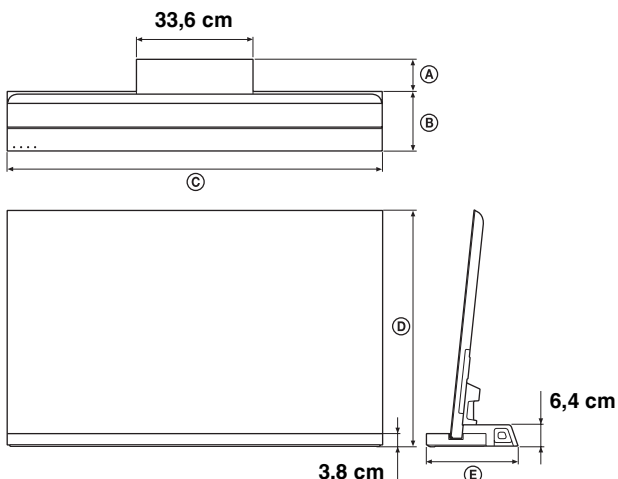
Видео входове/изходи (3D)

1280 × 720p@59,94/60 Hz  
Пакетиране на кадри  
1920 × 1080i@59,94/60 Hz  
Пакетиране на кадри  
1920 × 1080i@59,94/60 Hz  
Страна-до-Страна (Полукадри)  
1920 × 1080p@59,94/60 Hz  
Страна-до-Страна (Полукадри)  
1280 × 720p@50 Hz  
Пакетиране на кадри  
1920 × 1080i@50 Hz  
Пакетиране на кадри  
1920 × 1080i@50 Hz  
Страна-до-Страна (Полукадри)  
1920 × 1080p@50 Hz  
Страна-до-Страна (Полукадри)  
1920 × 1080p@24 Hz  
Пакетиране на кадри  
Дълбок цвят: 30bit/36bit

Аудио входове

Линеен PCM 7.1 канален/  
Dolby Digital/DTS

# Спецификации



## **Високоговорители**

### **Преден високоговорител**

Система на високоговорители

2-посочна 3-мембрани, тип бас рефлекс

Високоговорител Уфер: 30 × 82 mm конусен ×2  
Високочестотен  
високоговорител: 14 mm куполен

### **Субуфер**

Система на високоговорители

Субуфер, тип бас рефлекс

Високоговорител 70 mm конусен

### **Общо**

Захранване 100 – 240 V, 50/60 Hz

Разход на енергия

Вкл.: 12 W

Режим на готовност: 0,7 W

- Консумация в режим на готовност: 0,7 W
- Халогенирани забавители на горене не се използват в определени печатни платки.
- Над 85% от енергоспестяването на блока на усилвателя се постига с пълнен цифров усилвател, S-Master.

Дизайнът и спецификациите могат да бъдат променяни без предупреждение.